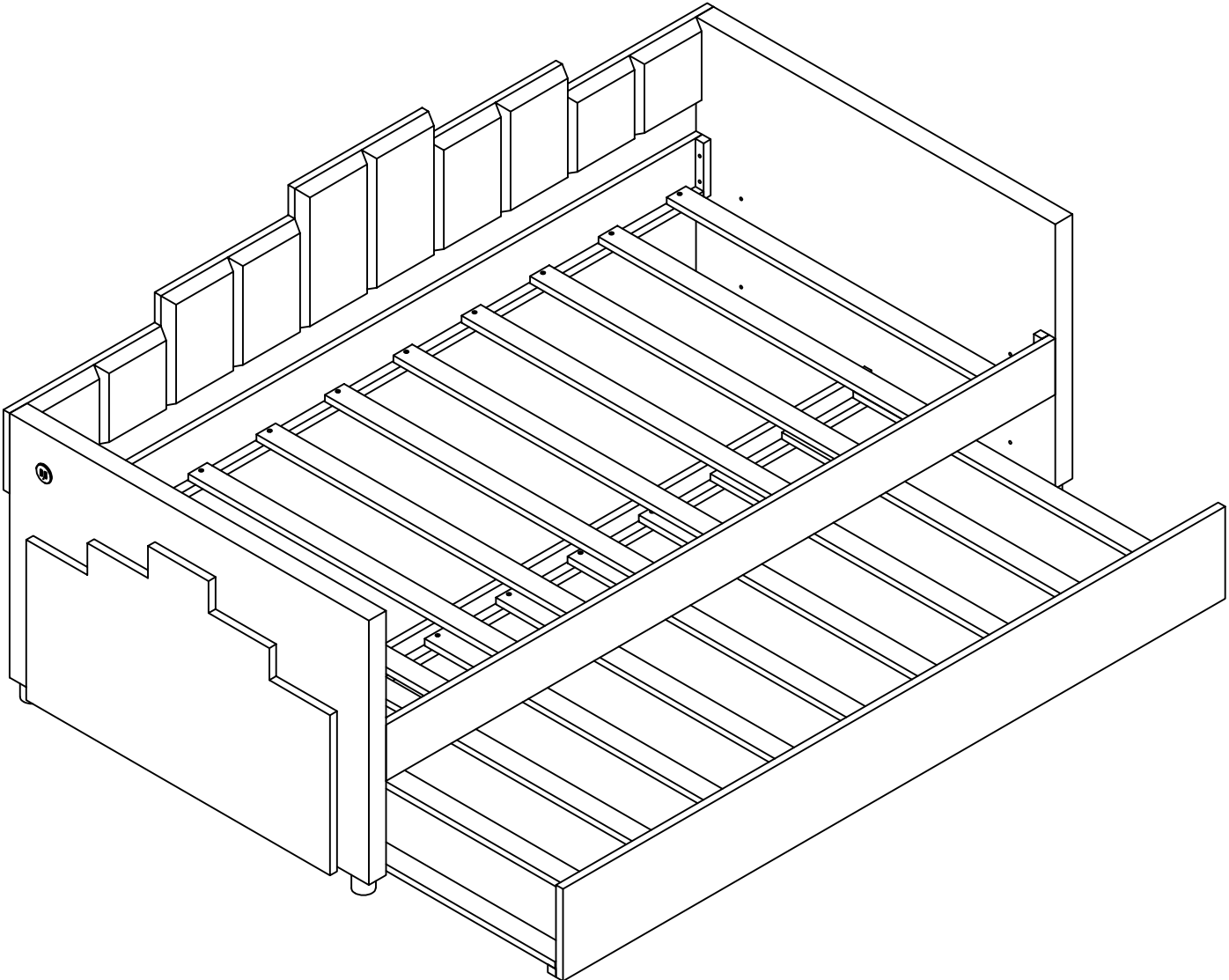
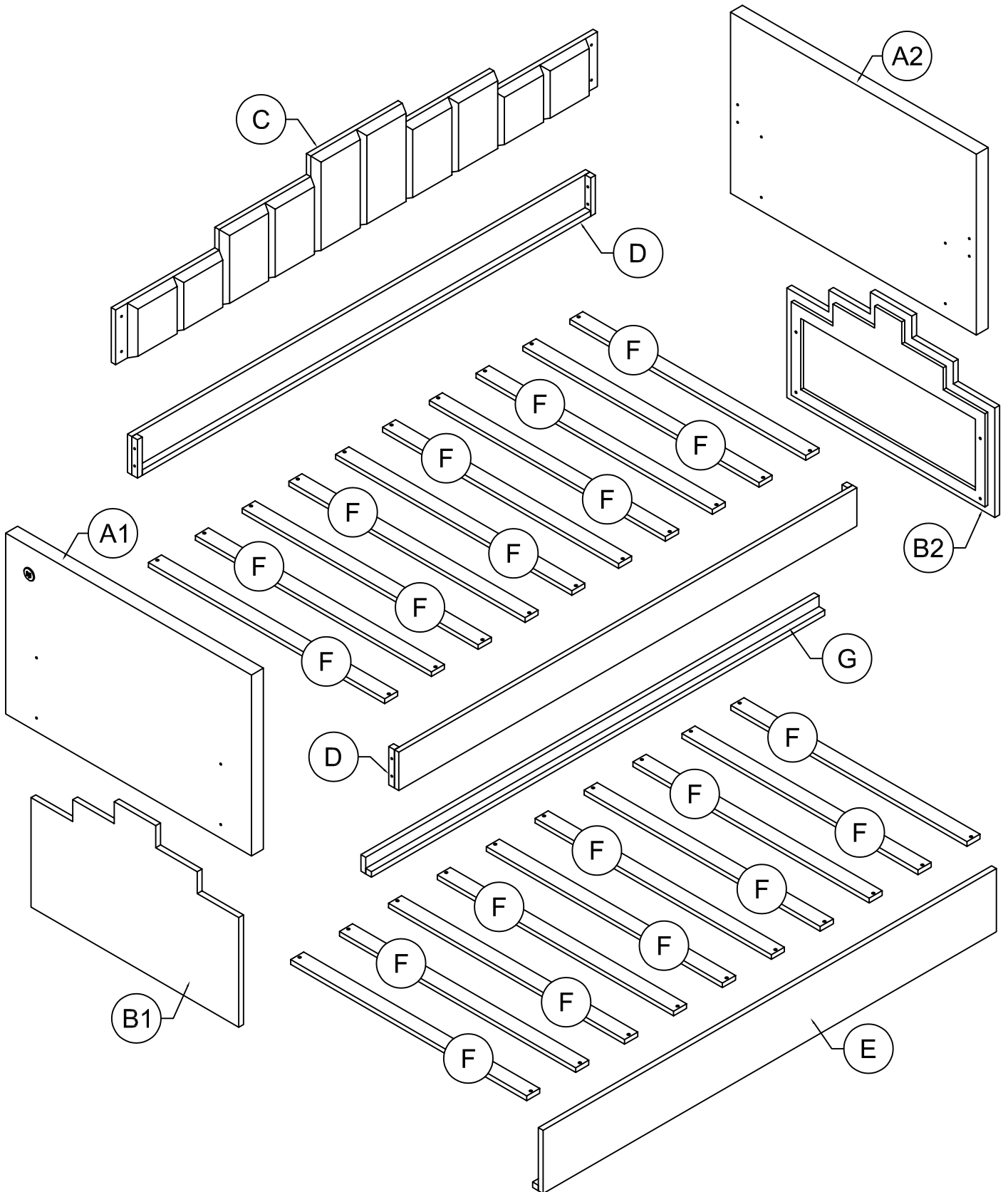


ASSEMBLY INSTRUCTION
SKU CODE: (WF309189/WF309190)

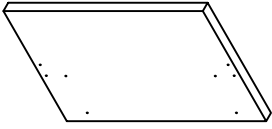


ASSEMBLY INSTRUCTION



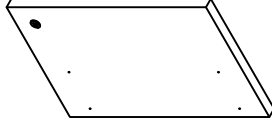
Part List (WF309189)

A1



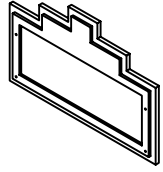
Right Arm - 1pcs

A2



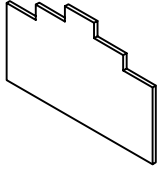
Left Arm - 1pcs

B1



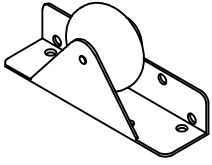


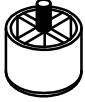






Arm Accessories - 1pcs

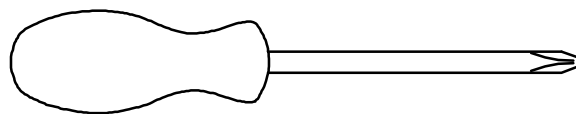
B2



Arm Accessories - 1pcs

Hardware List (WF309189)

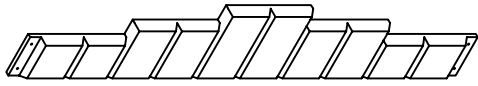
<p>1</p>  <p>Wheels 4pcs</p>	<p>2</p>  <p>M4 x 30 mm Wood Screws 40pcs</p>	<p>3</p>  <p>Allen Key 1pcs</p>
<p>4</p>  <p>Plastic Feet(Ø50x40) 4pcs</p>	<p>5</p>  <p>Steel Bracket 3pcs</p>	<p>6</p>  <p>Plastic Drawer Stopper 4 pcs</p>
<p>7</p>  <p>M4 x 15 mm Wood Screws 24pcs</p>	<p>8</p>  <p>1/4" x 80mm Hex-Head bolts 8pcs</p>	<p>9</p>  <p>1/4" x 50mm Hex-Head bolts 8pcs</p>
<p>10</p>  <p>1/4" x 60mm Wood Screws 4pcs</p>		



Assembly Tools Required (Not Included)

Part List (WF309190)

C



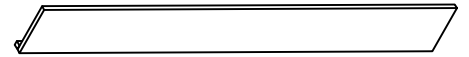
Back Panel - 1pcs

D



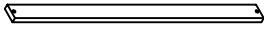
Side Rails - 2pcs

E



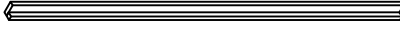
Font Trundle - 1pcs

F




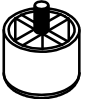
Slats - 20pcs

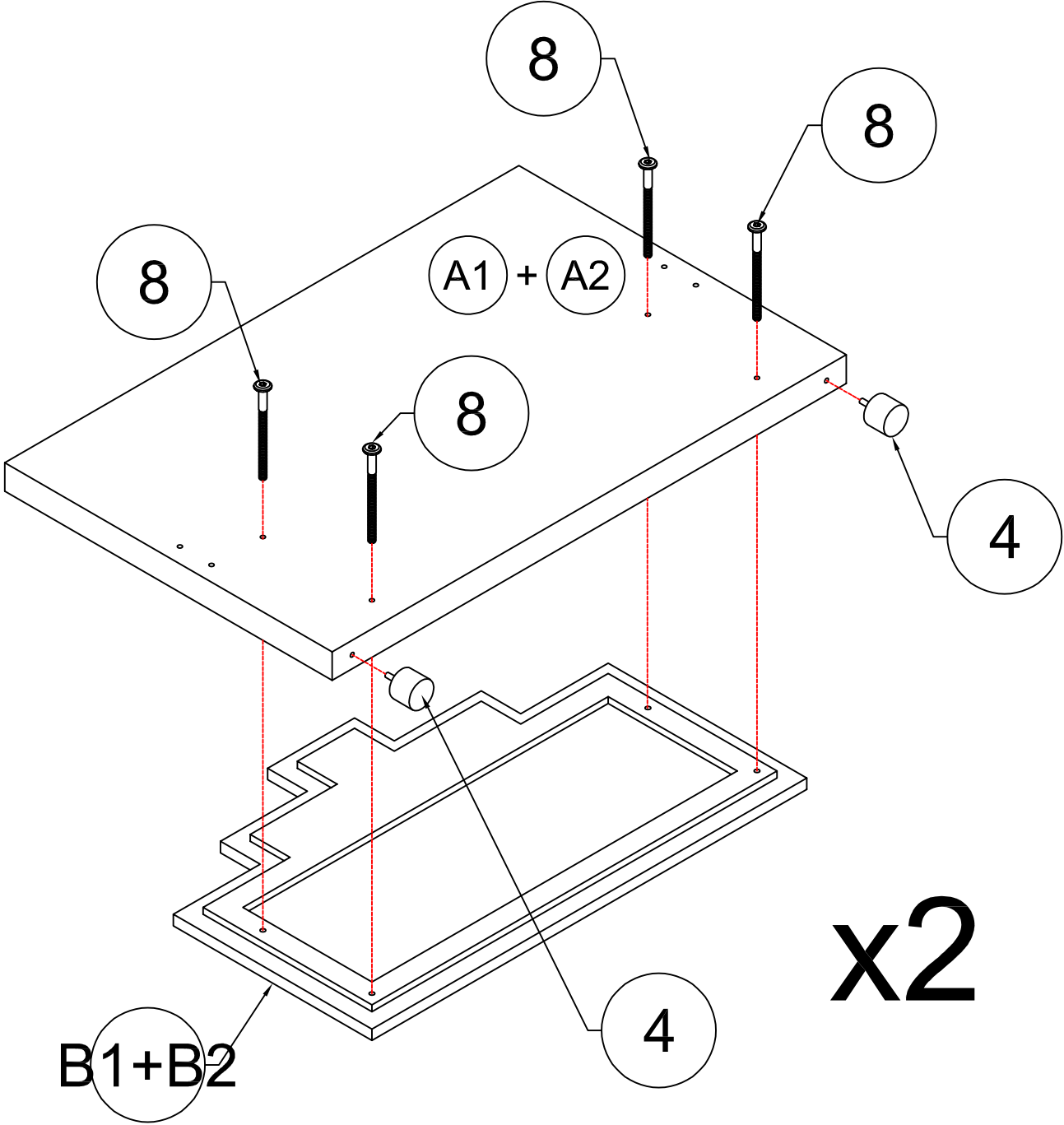
G



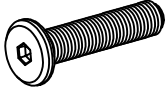
Back Trundle - 1pcs

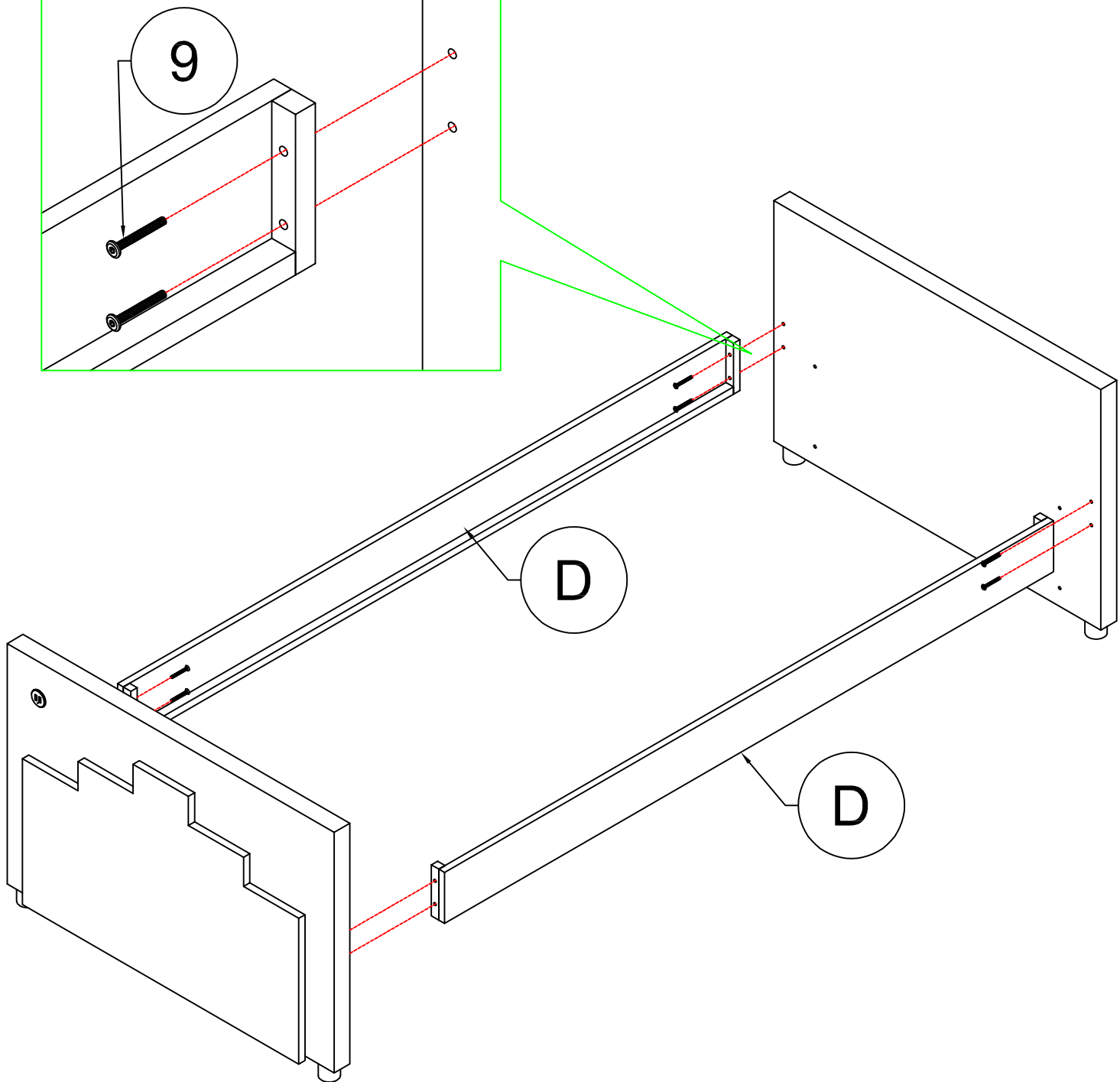
STEP 1: Following below illustration:

8	4
	
8pcs	4pcs




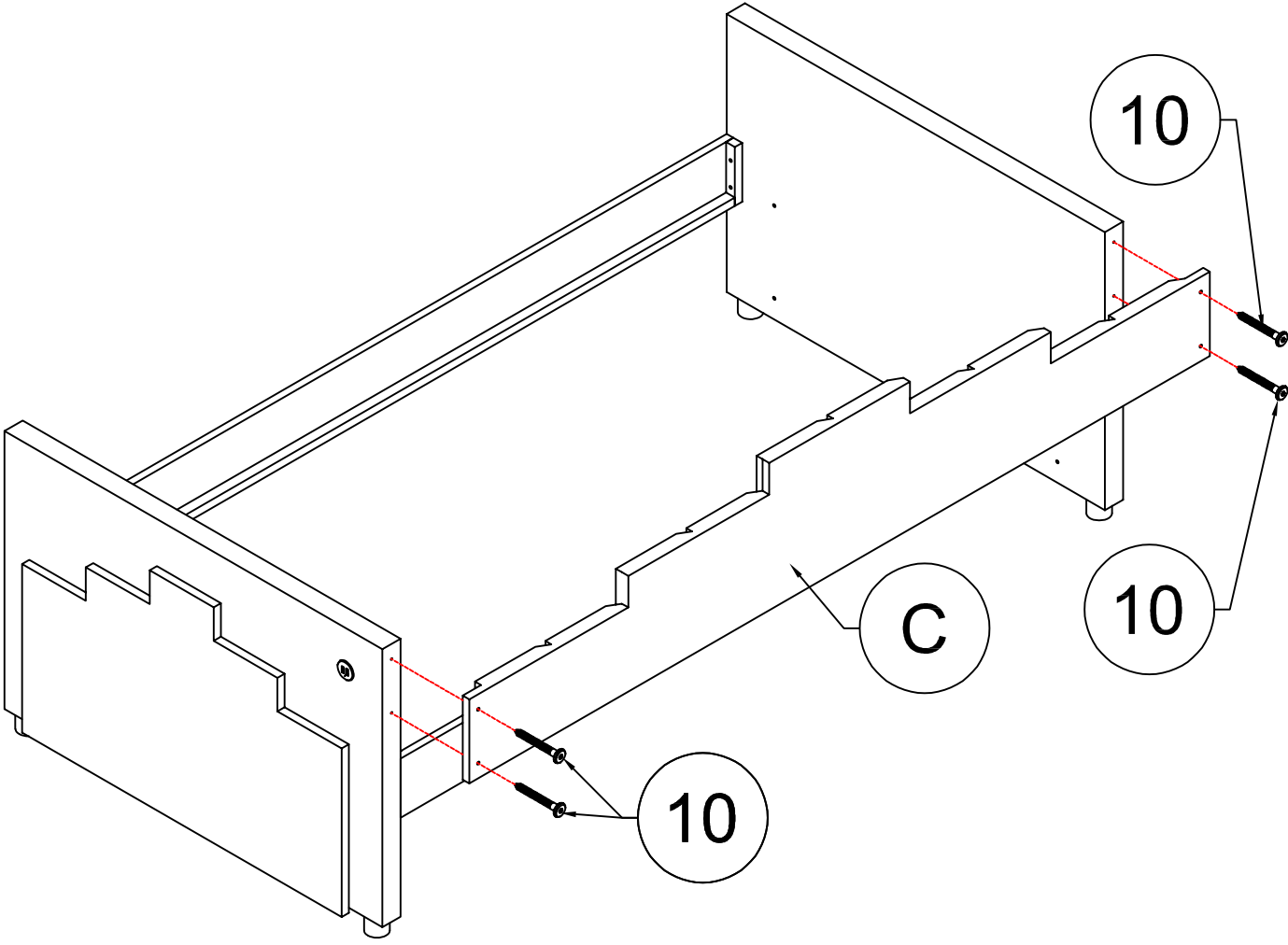
STEP 2: Following below illustration:

9

8pcs






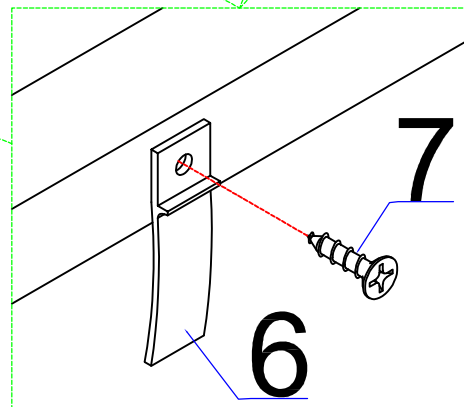
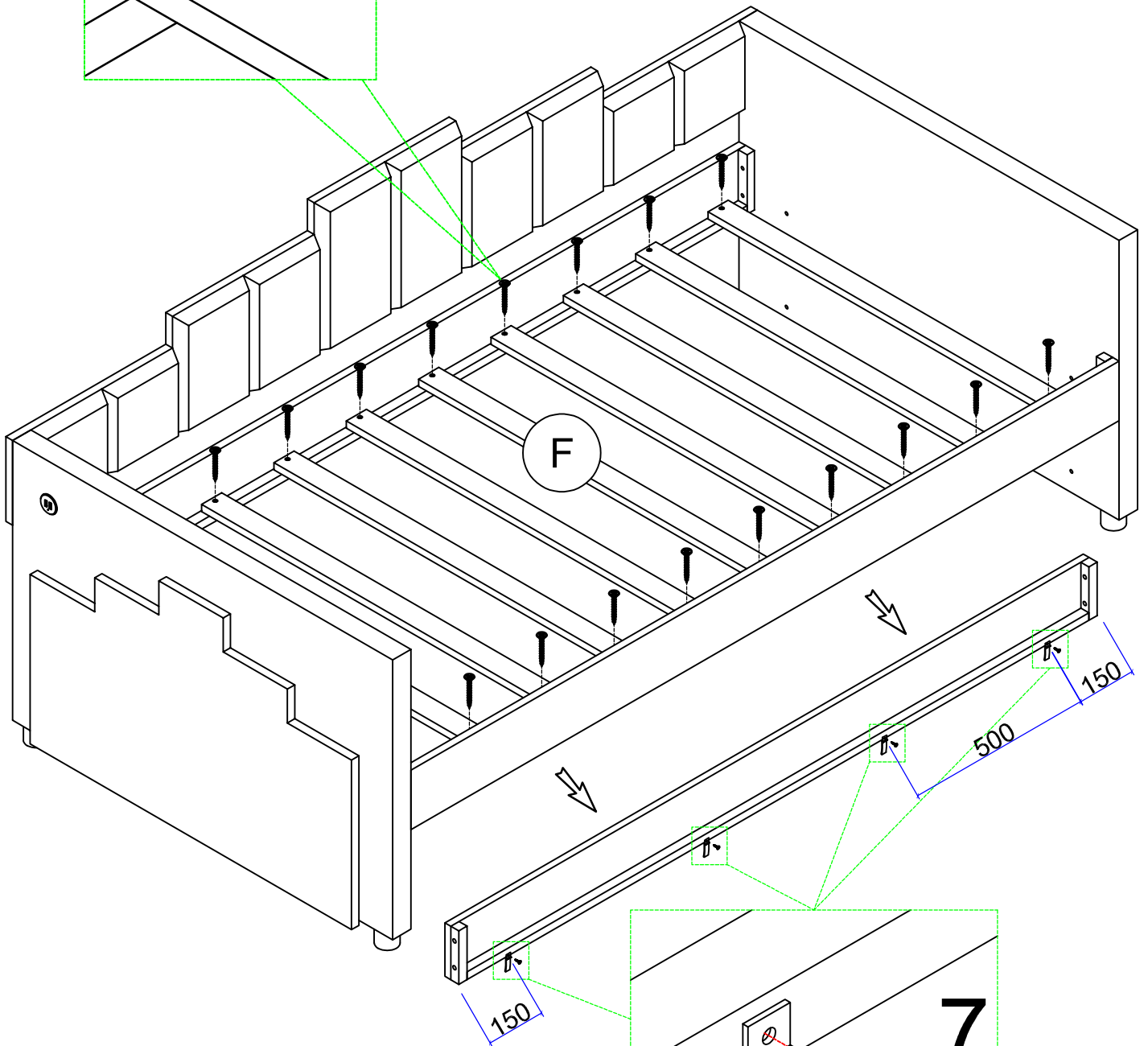
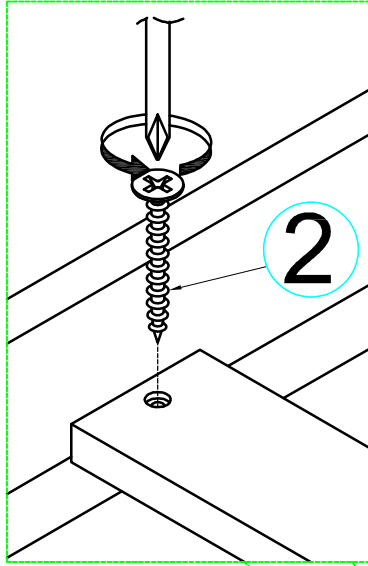
STEP 3: Following below illustration:

10

4pcs



STEP 4: Following below illustration:

6	7	2
		
4pcs	4pcs	20pcs

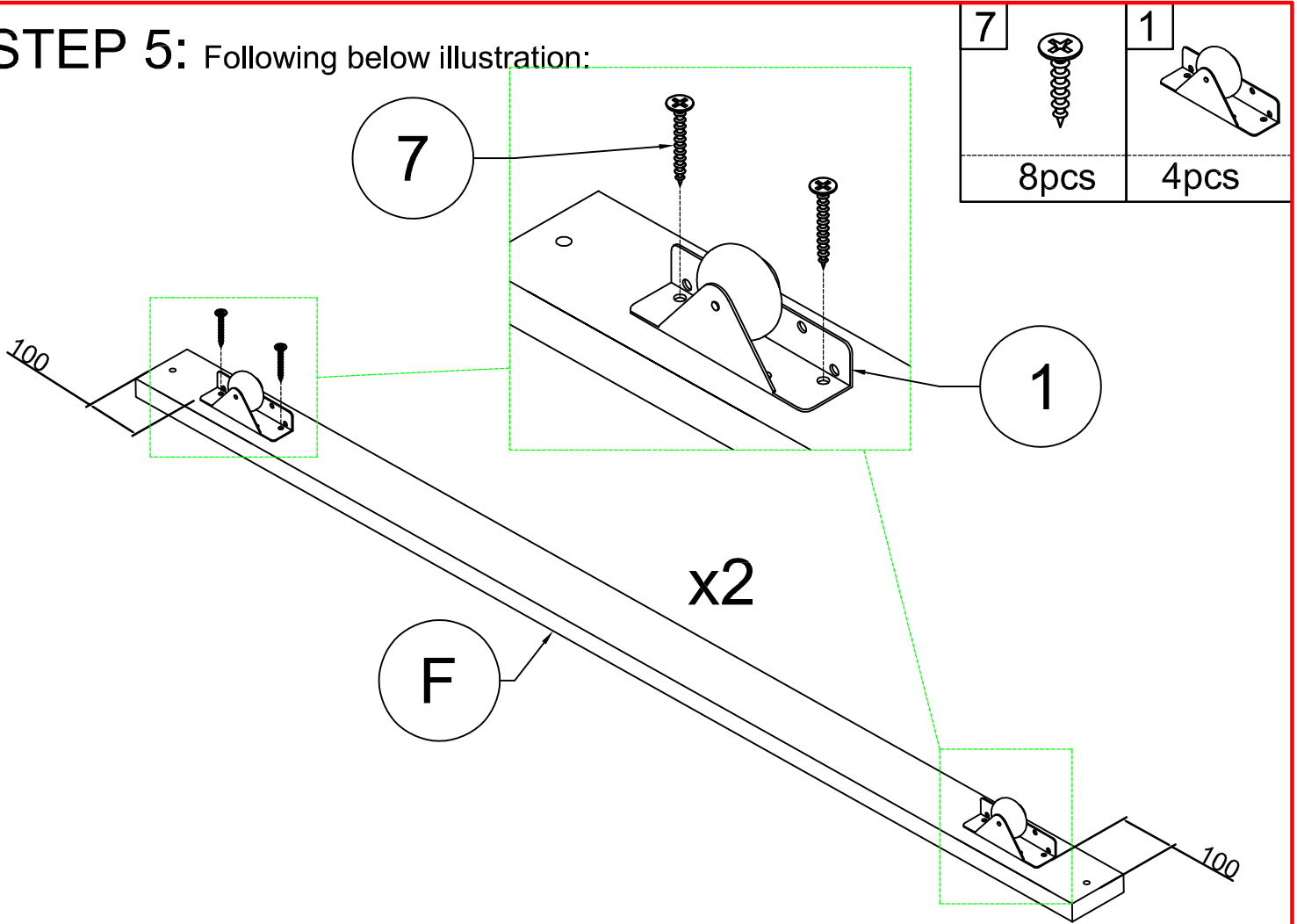


9

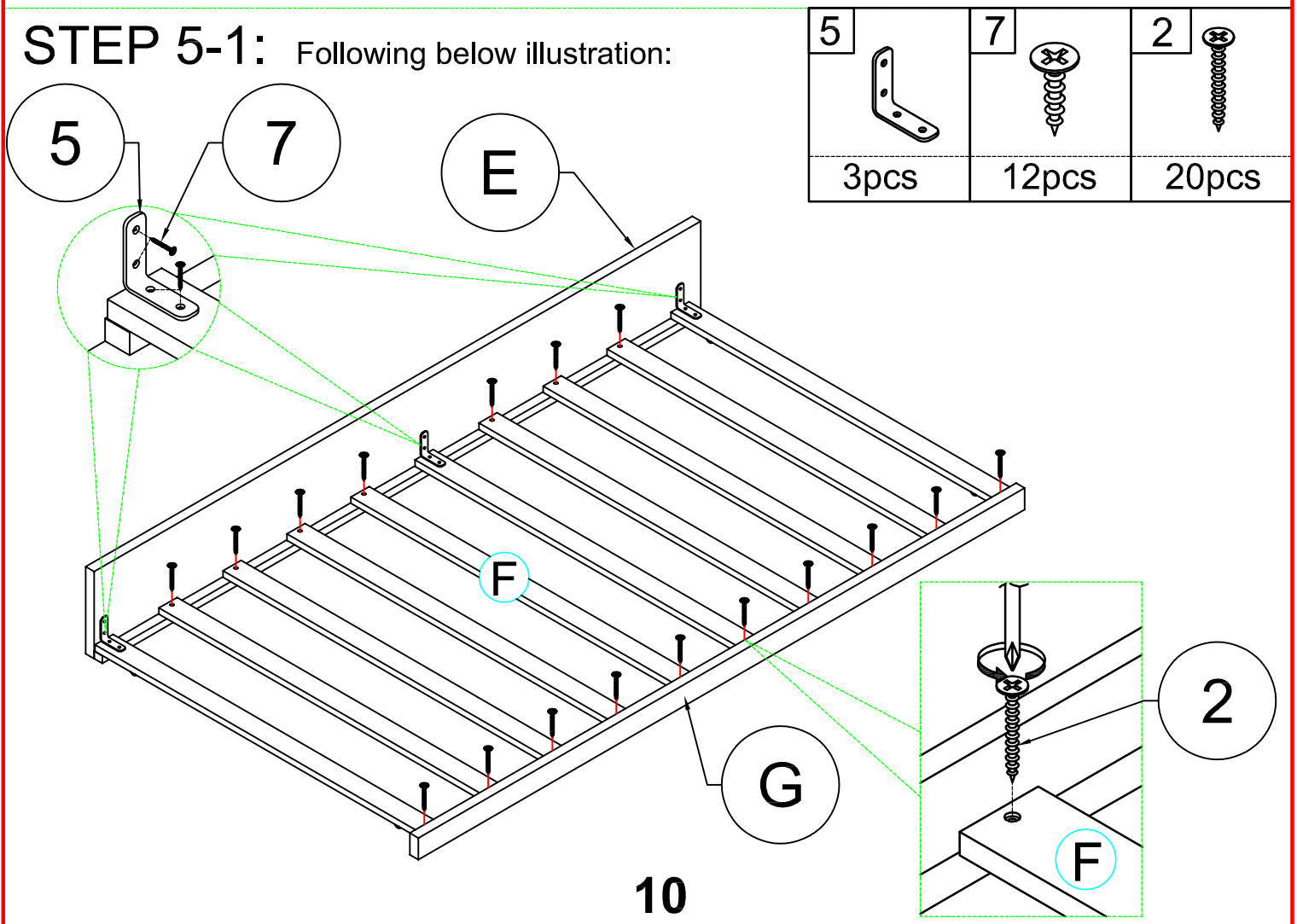
6

7

STEP 5: Following below illustration:



STEP 5-1: Following below illustration:



FINISH

