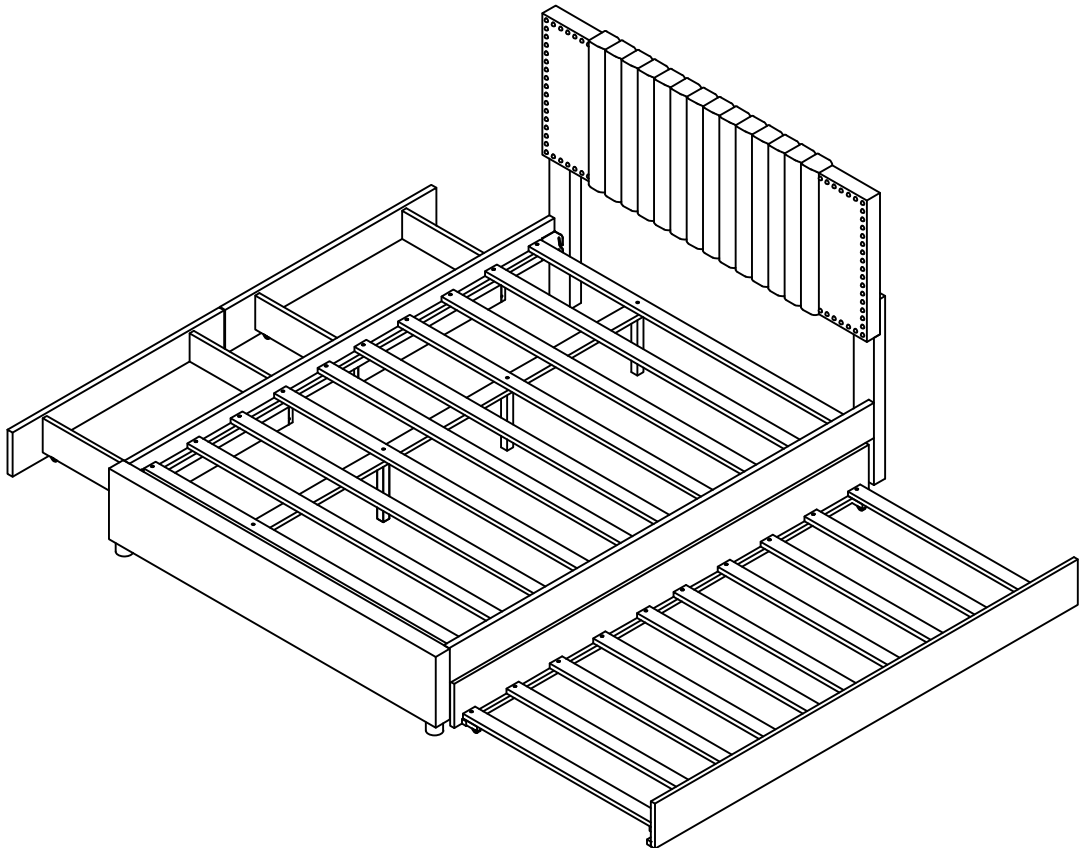
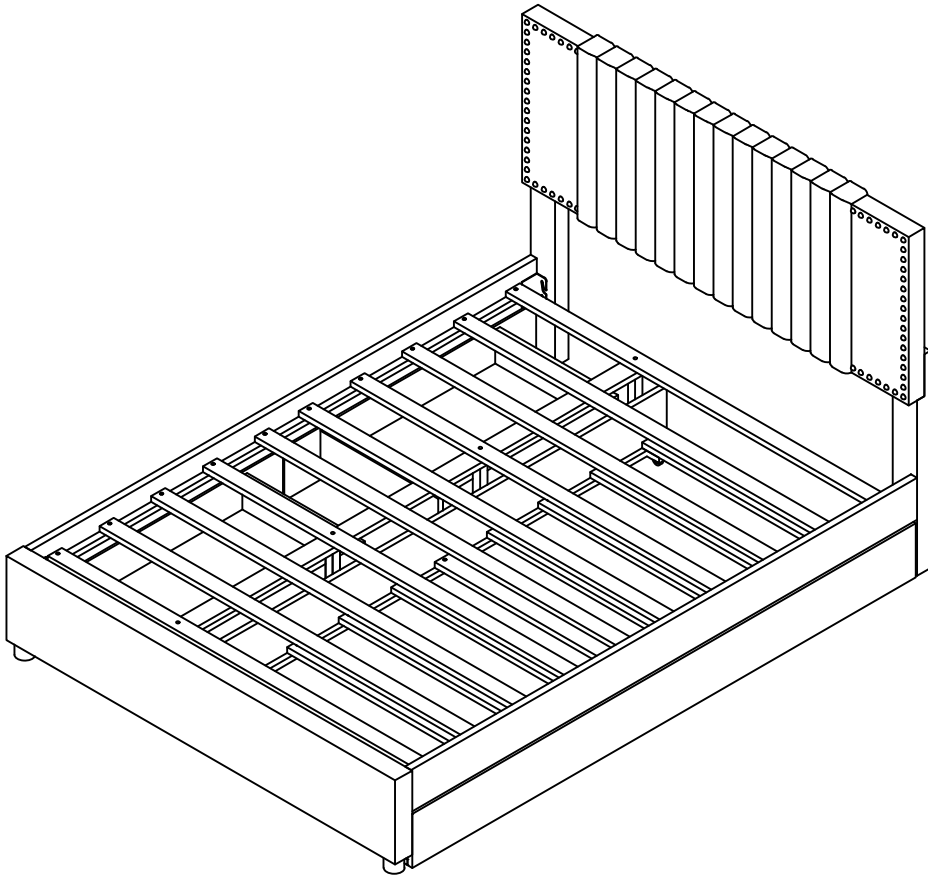
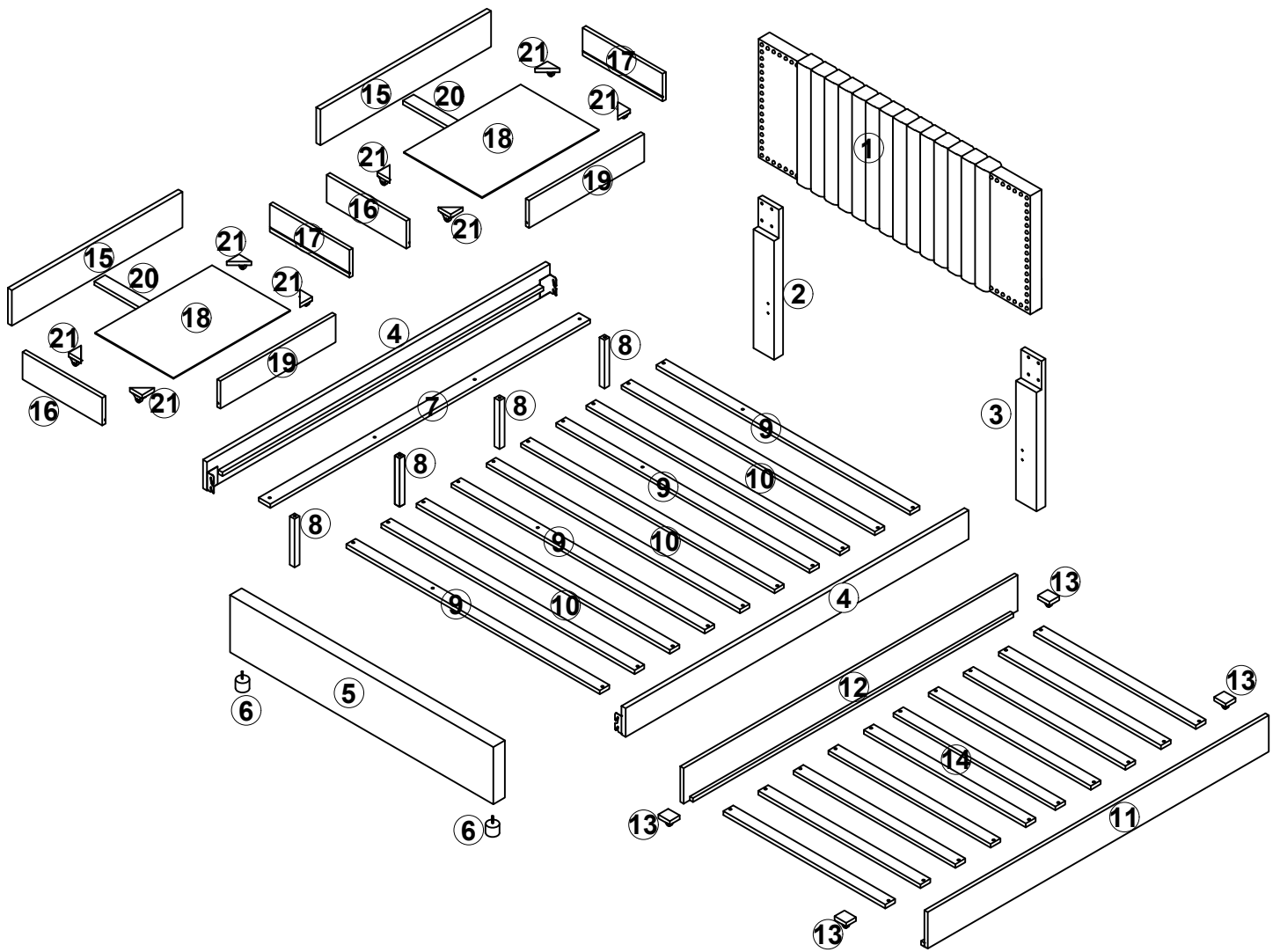


ASSEMBLY INSTRUCTION

SKU CODE: WF306609/ WF306610

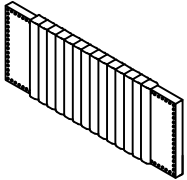


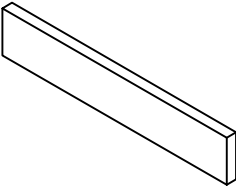

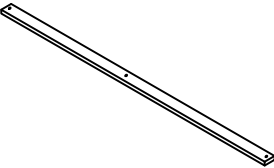
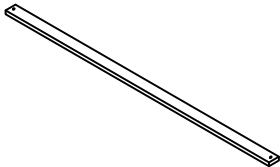

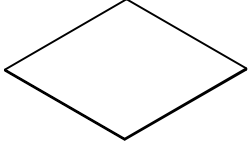
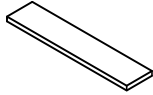
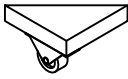
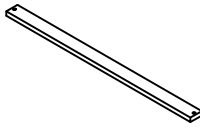


Detail View - FULL BED WITH 2 DRAWERS AND TRUNDLE

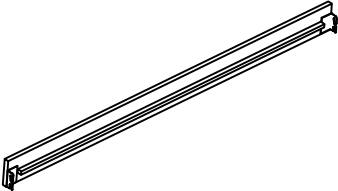
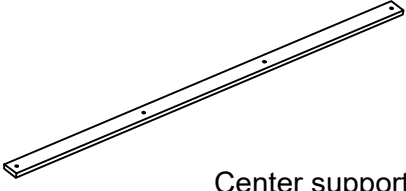

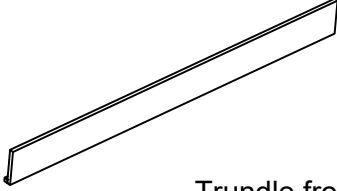
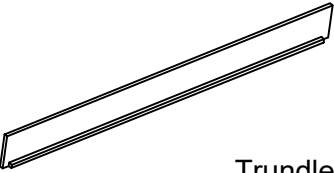
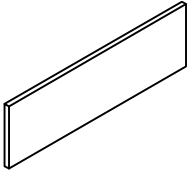

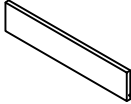
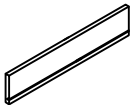


Identifying the Hardware - Identify the hardware using the illustrations below.

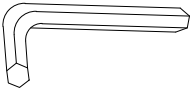
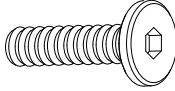
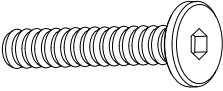


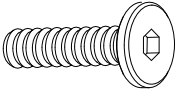

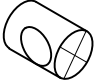



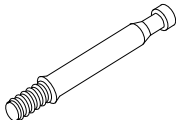

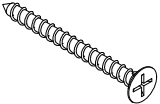
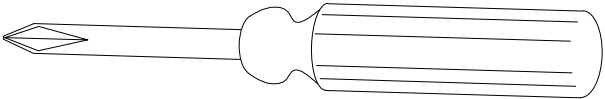
Part Lists: WF306609

<p>1</p>  <p>Headboard-1pc</p>	<p>2</p>  <p>Headboard left leg -1pc</p>
<p>3</p>  <p>Headboard right leg-1pc</p>	<p>5</p>  <p>Footboard - 1pc</p>
<p>6</p>  <p>Footboard leg -2pcs</p>	<p>9</p>  <p>Bed slat 1 - 4pcs</p>
<p>10</p>  <p>Bed slat 2 -6pcs</p>	<p>13</p>  <p>Wheel support -4pcs</p>
<p>18</p>  <p>Drawer bottom -2pcs</p>	<p>20</p>  <p>Drawer bottom support bar -2pcs</p>
<p>21</p>  <p>Corner block -8pcs</p>	<p>14</p>  <p>Trundle slat -10pcs</p>

Part Lists: **WF306610**

4		7	
Side rail - 2pcs		Center support bar -1pc	
8		11	
Center support leg - 4pcs		Trundle front panel -1pc	
12		15	
Trundle back panel -1pc		Drawer front -2pcs	
16		17	
Drawer side right -2pcs		Drawer side left -2pcs	
19			
Drawer back -2pcs			

HARDWARE LISTS: WF306609

A	 4mm Allen key (1pc)	B	 Ø5/16" x 20mm Hex-head bolt (8pcs)
C	 Ø5/16" x 40mm Hex-head bolt (4pcs)	D	 Ø5/16" Spring washer (12pcs)
E	 Ø5/16" Flat washer(12pcs)	F	 Ø1/4" x 45mm Hex-head bolt (4pcs)
G	 Ø1/4" x 50mm Hex-head bolt (8pcs)	H	 Ø1/4" Barrel nut (8pcs)
I	 Ø1/4" Spring washer (4pcs)	J	 Ø1/4" Flat washer(4pcs)
K	 Ø4 x 30mm Wood screw (64pcs)	L	 Cam bolt (8pcs)
M	 Cam lock(8pcs)	N	 Ø4 x 40mm Wood screw (8pcs)
 ASSEMBLY TOOLS REQUIRED (NOT INCLUDED)			



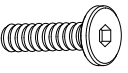
Read this instruction carefully. See hardware and furniture part list for guidance. Be sure all parts are complete, before you assemble. Place all wooden furniture parts on a clean and flat soft surface to prevent from being scratched. Follow the figure to start assembling.

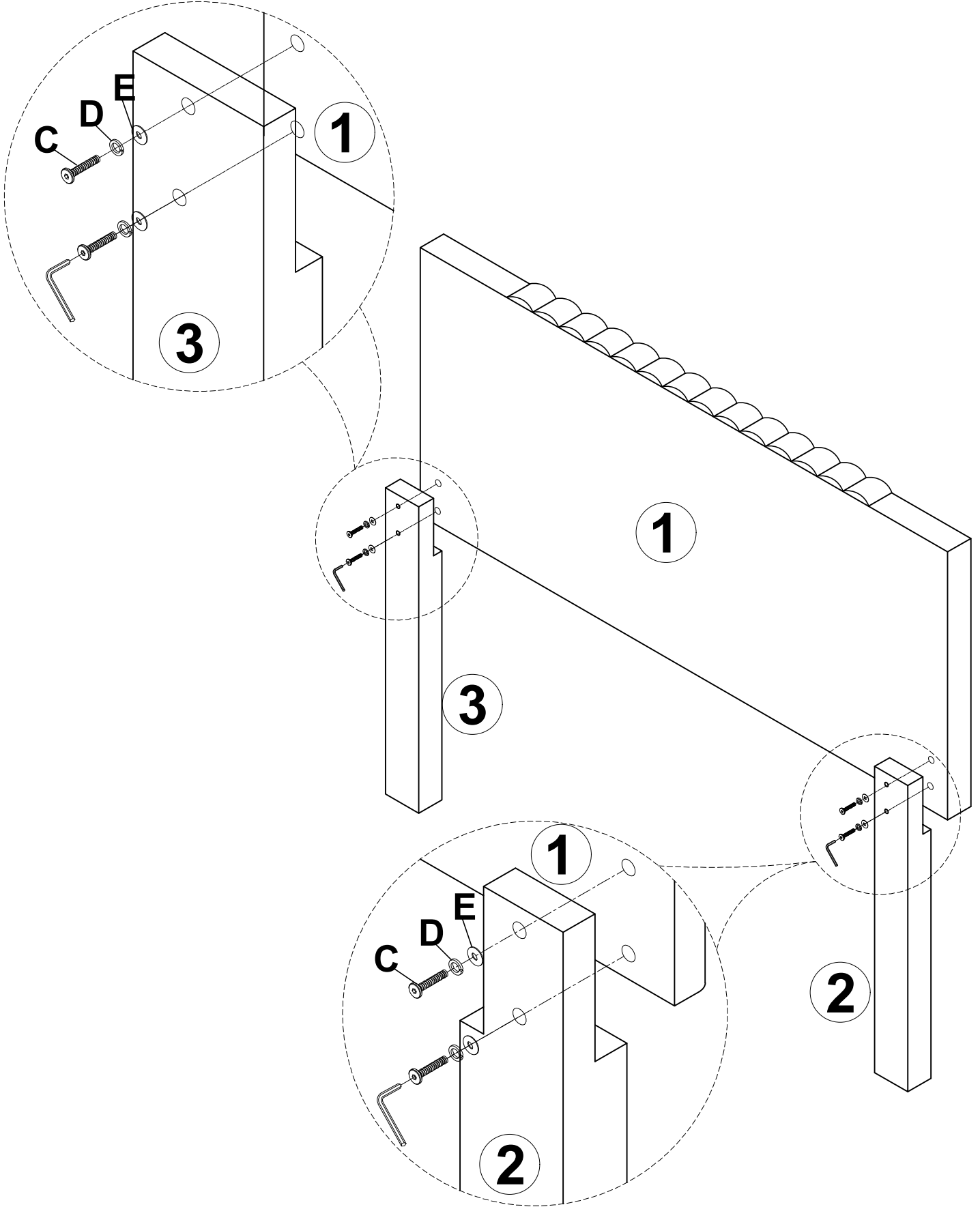
CAUTIONS :

1. Do not FULLY - TIGHTEN the nut or nut bolt until all nut or bolt is ready assembled.
2. Do not OVER - TIGHTEN the nut or bolt to avoid causing damages to the thread.
3. Keep all hardware parts out of reach of children.

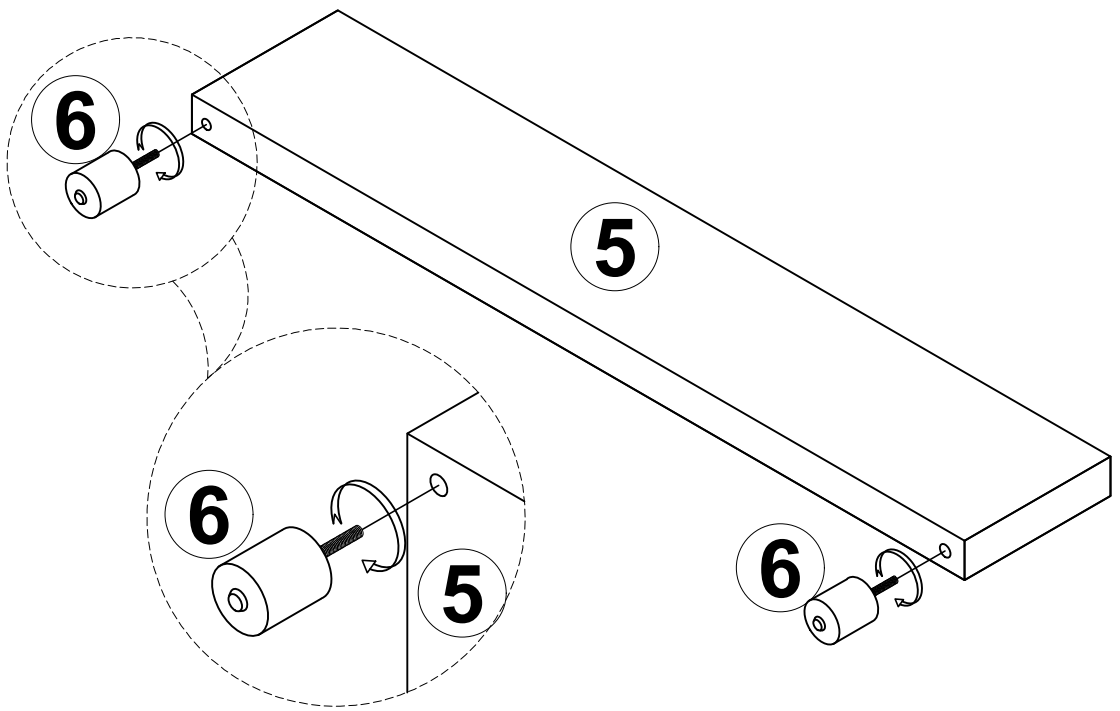
NOTE : THE LIST AND QUANTITY SHOWN ARE FOR 1 UNIT ASSEMBLY.

STEP 1



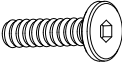
E 	D 	C 
4PCS	4PCS	4PCS

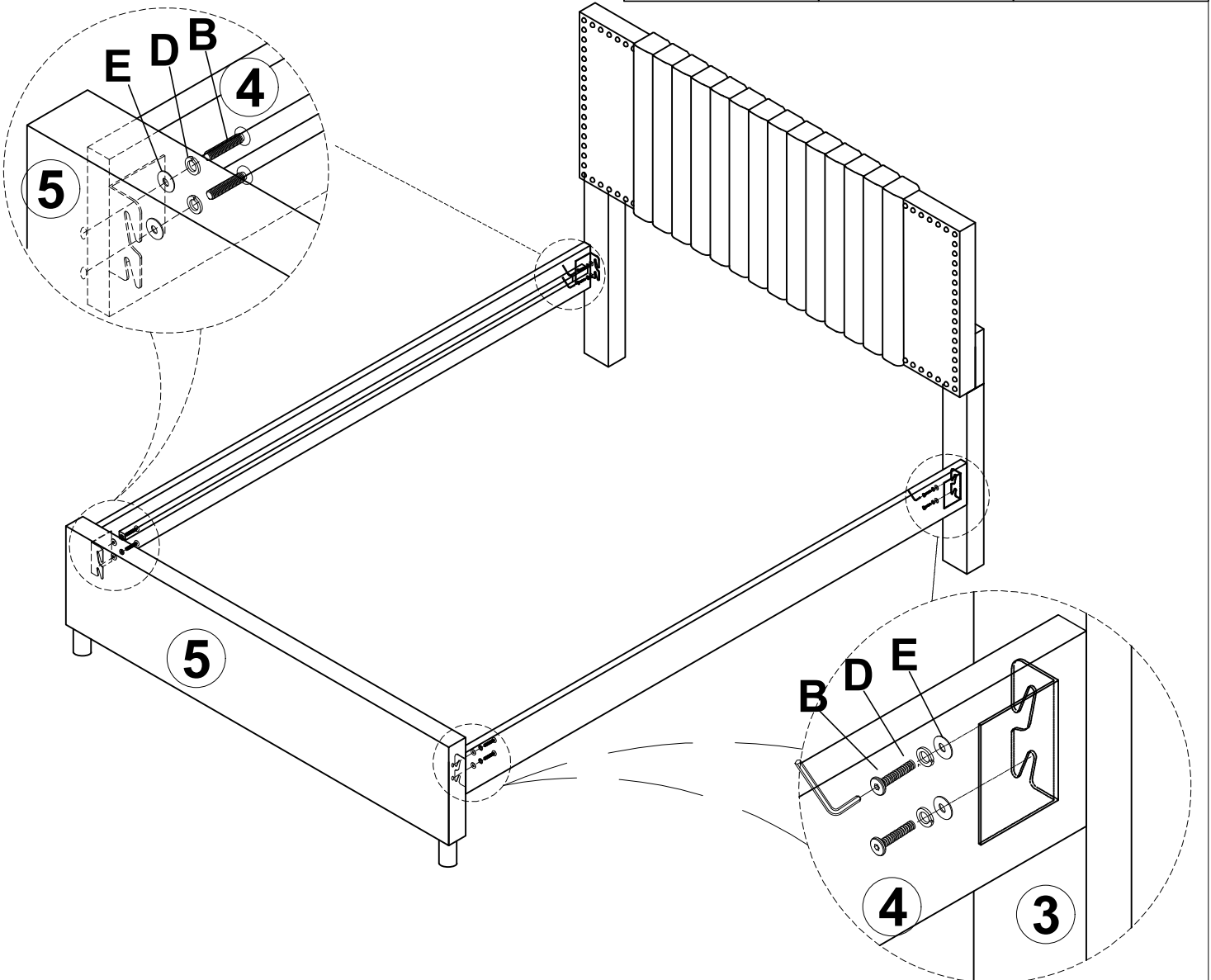


STEP 2



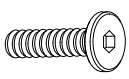


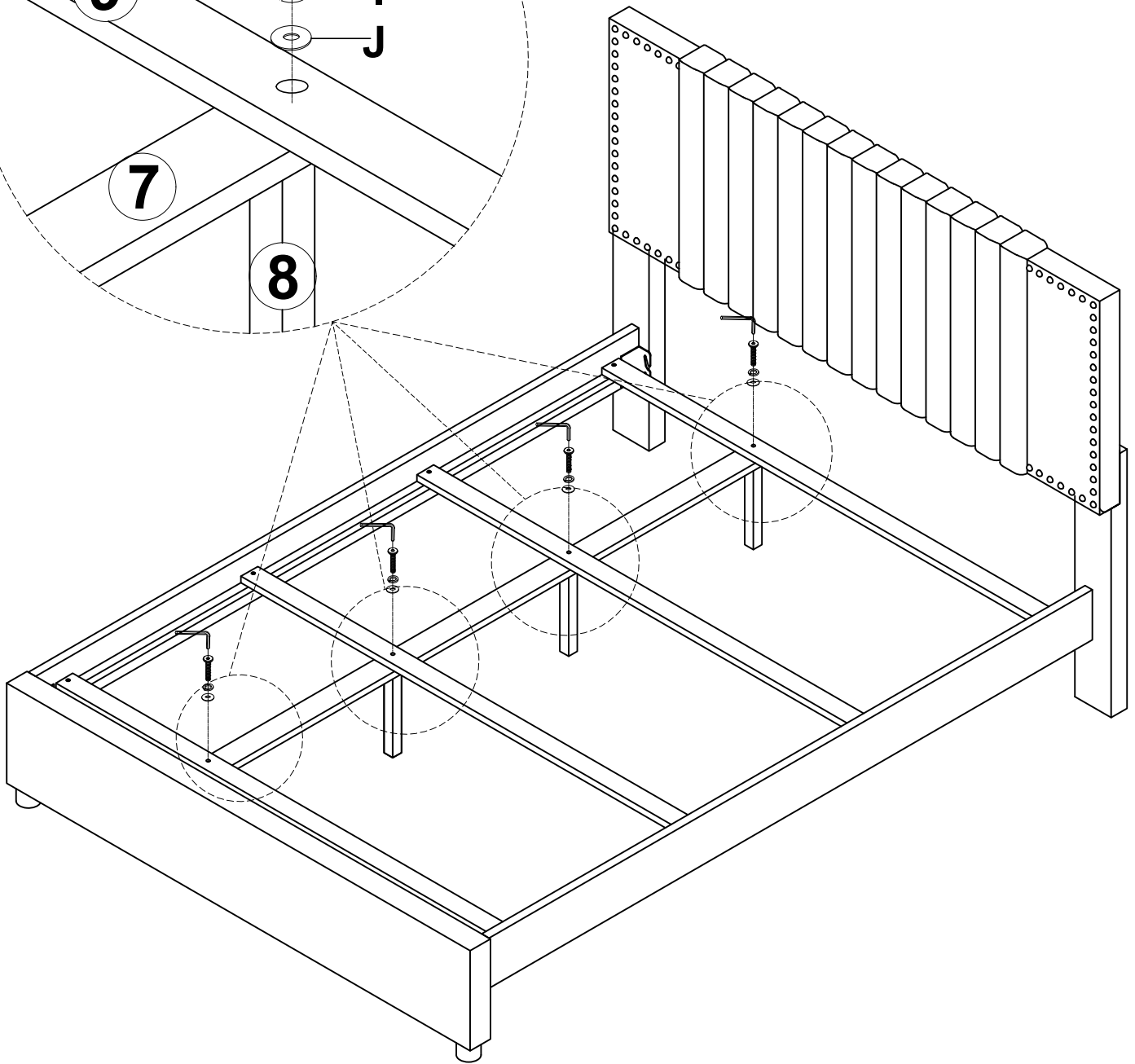
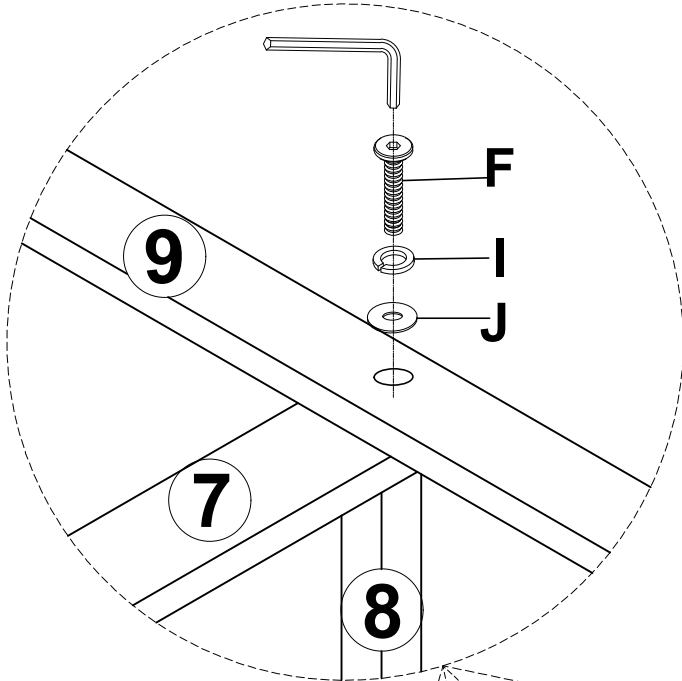
STEP 3

E		D		B	
8PCS		8PCS		8PCS	



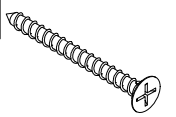
STEP 4

J 	I 	F 
4PCS	4PCS	4PCS

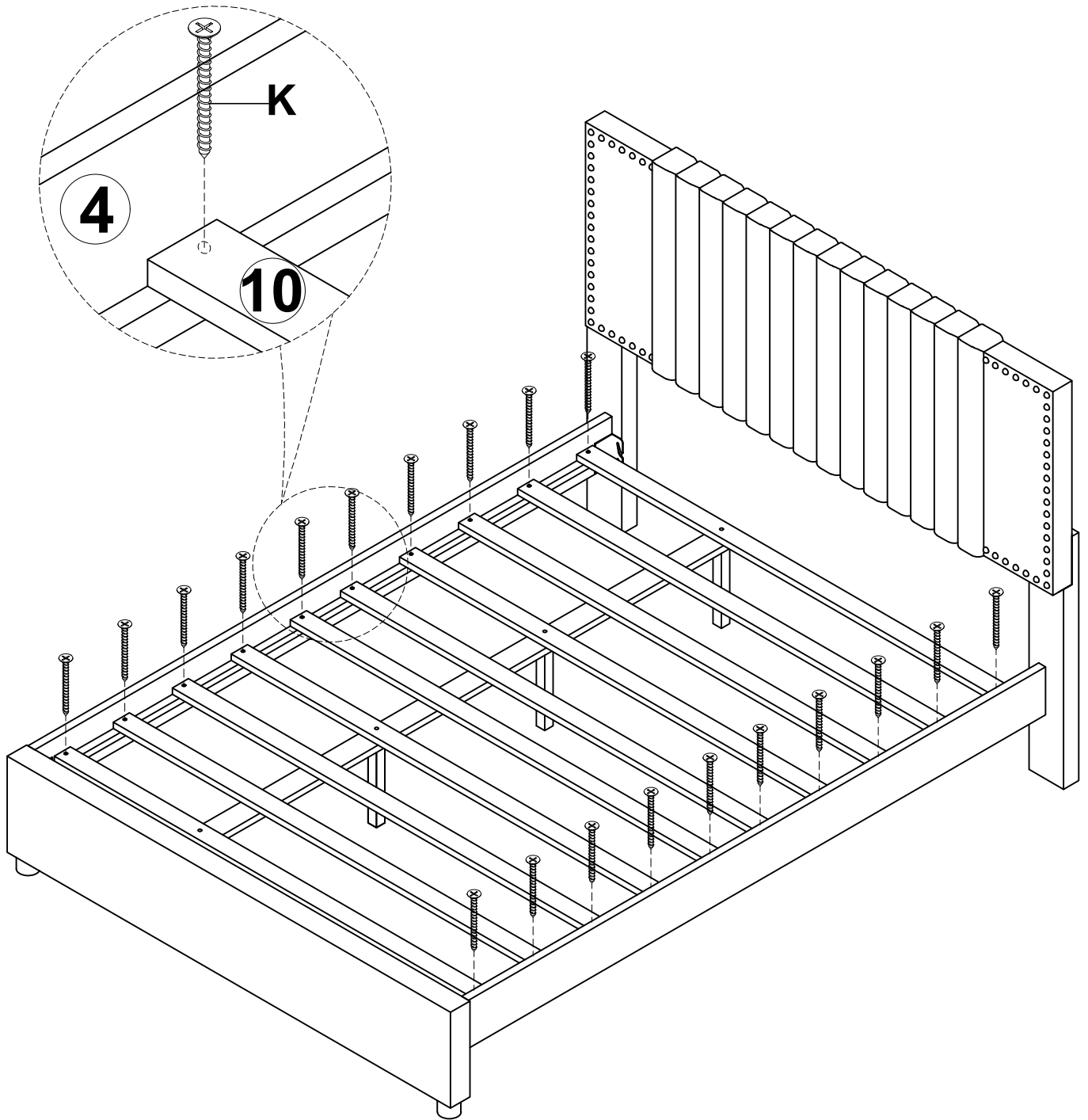


STEP 5

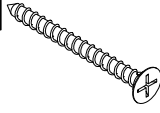
K

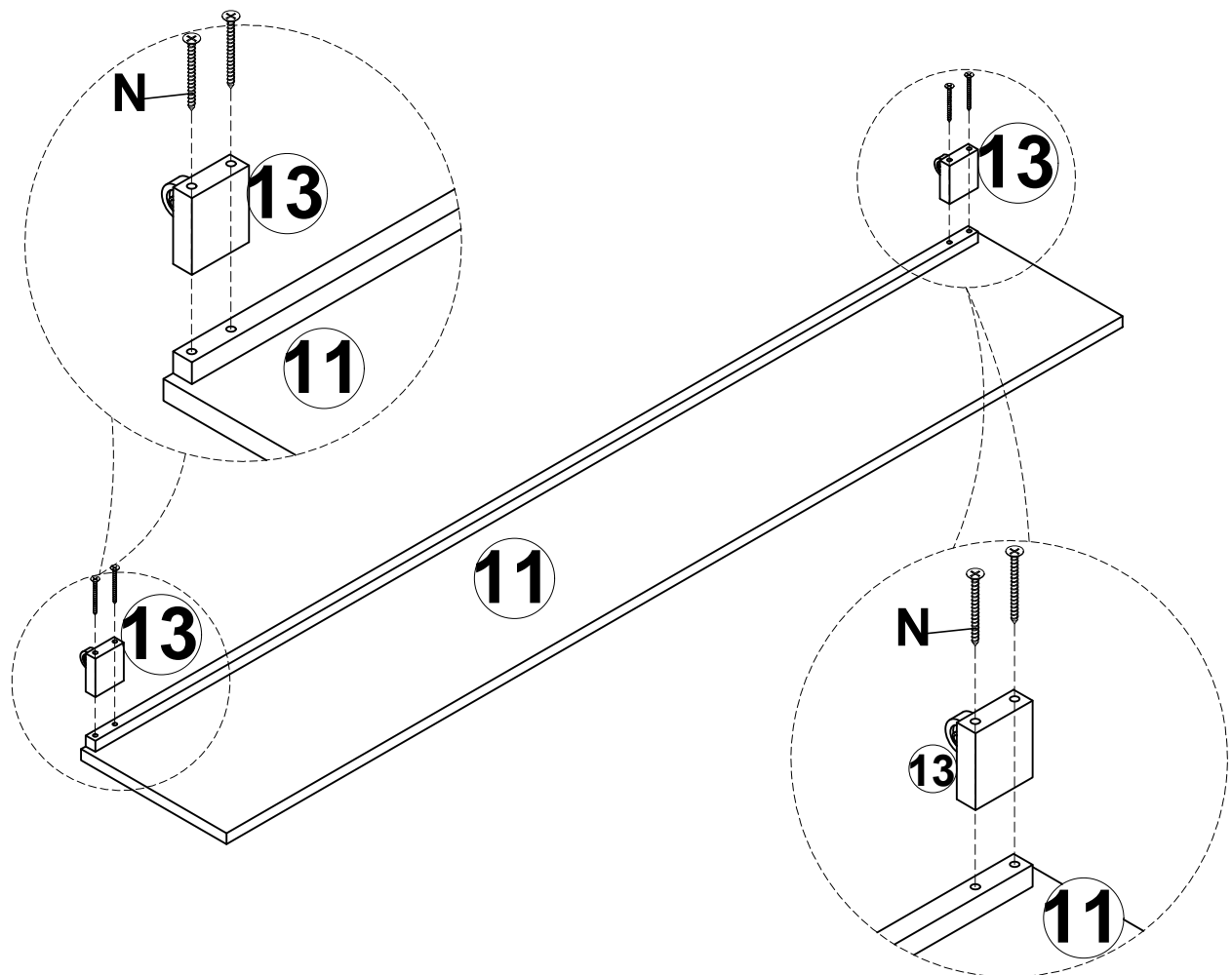
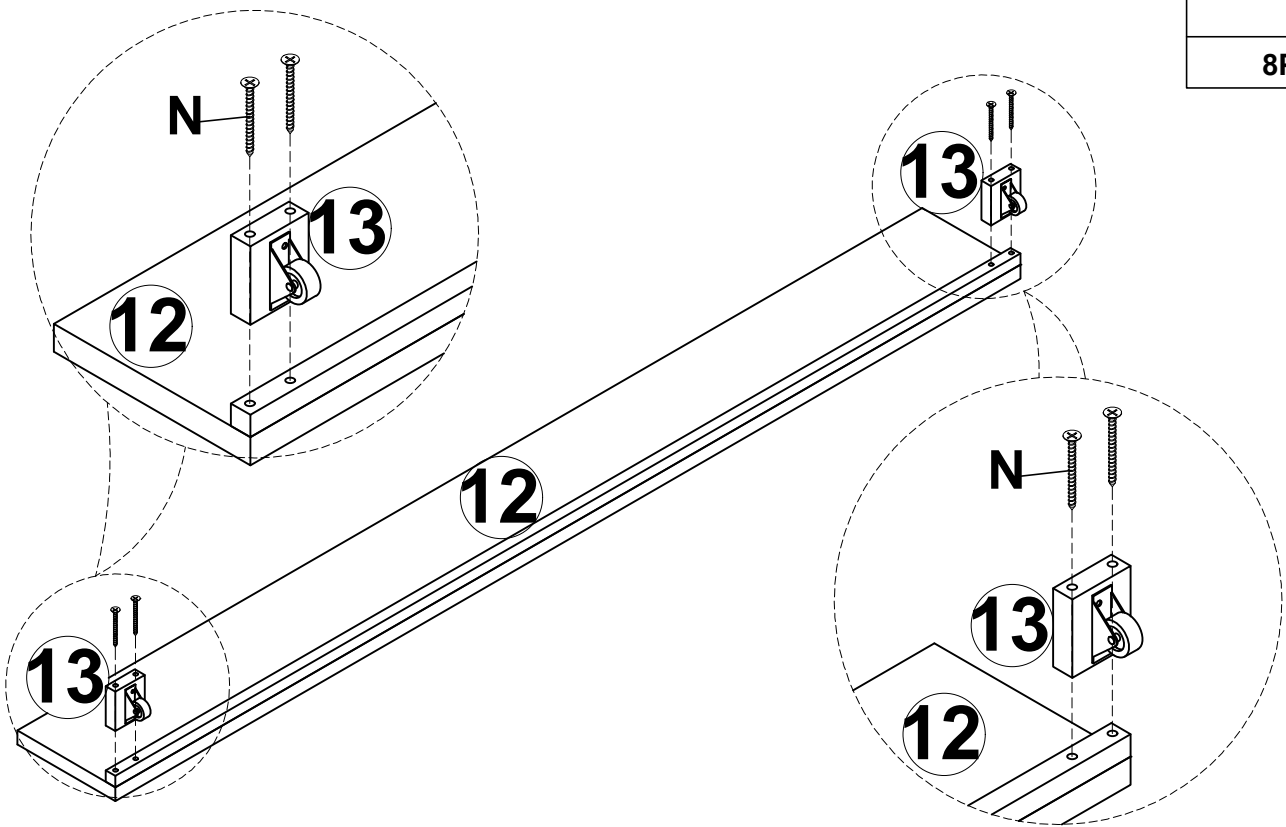


20PCS

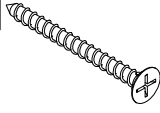


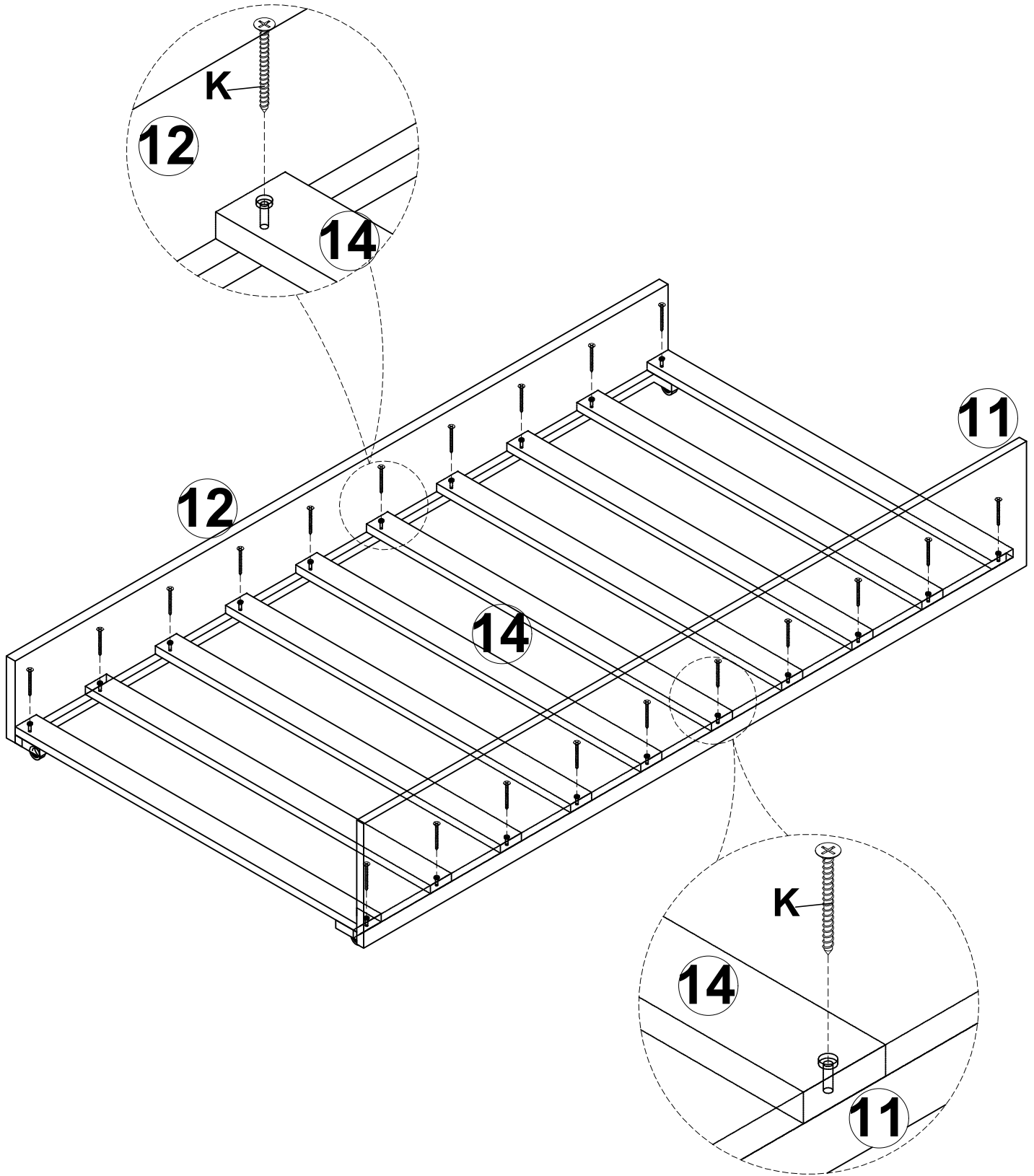
STEP 6

K	
8PCS	

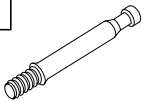


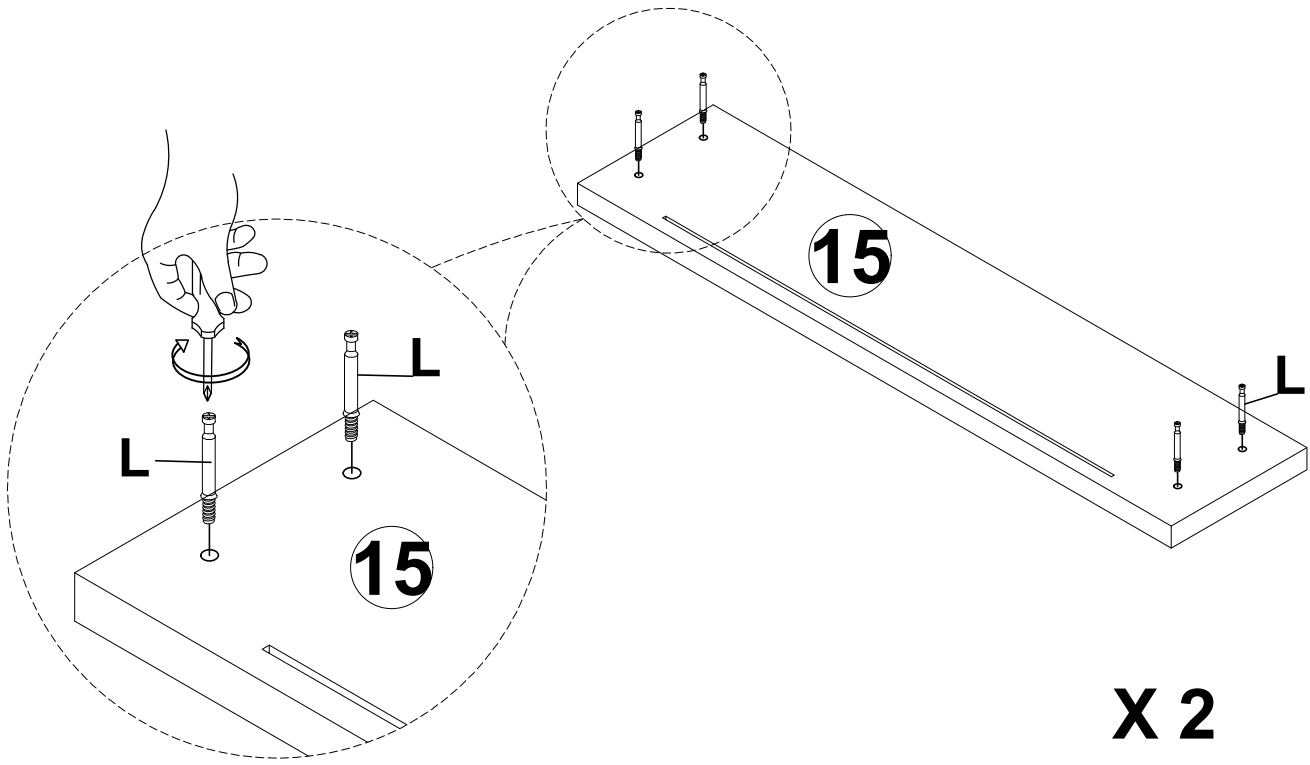
STEP 7

K	
20PCS	




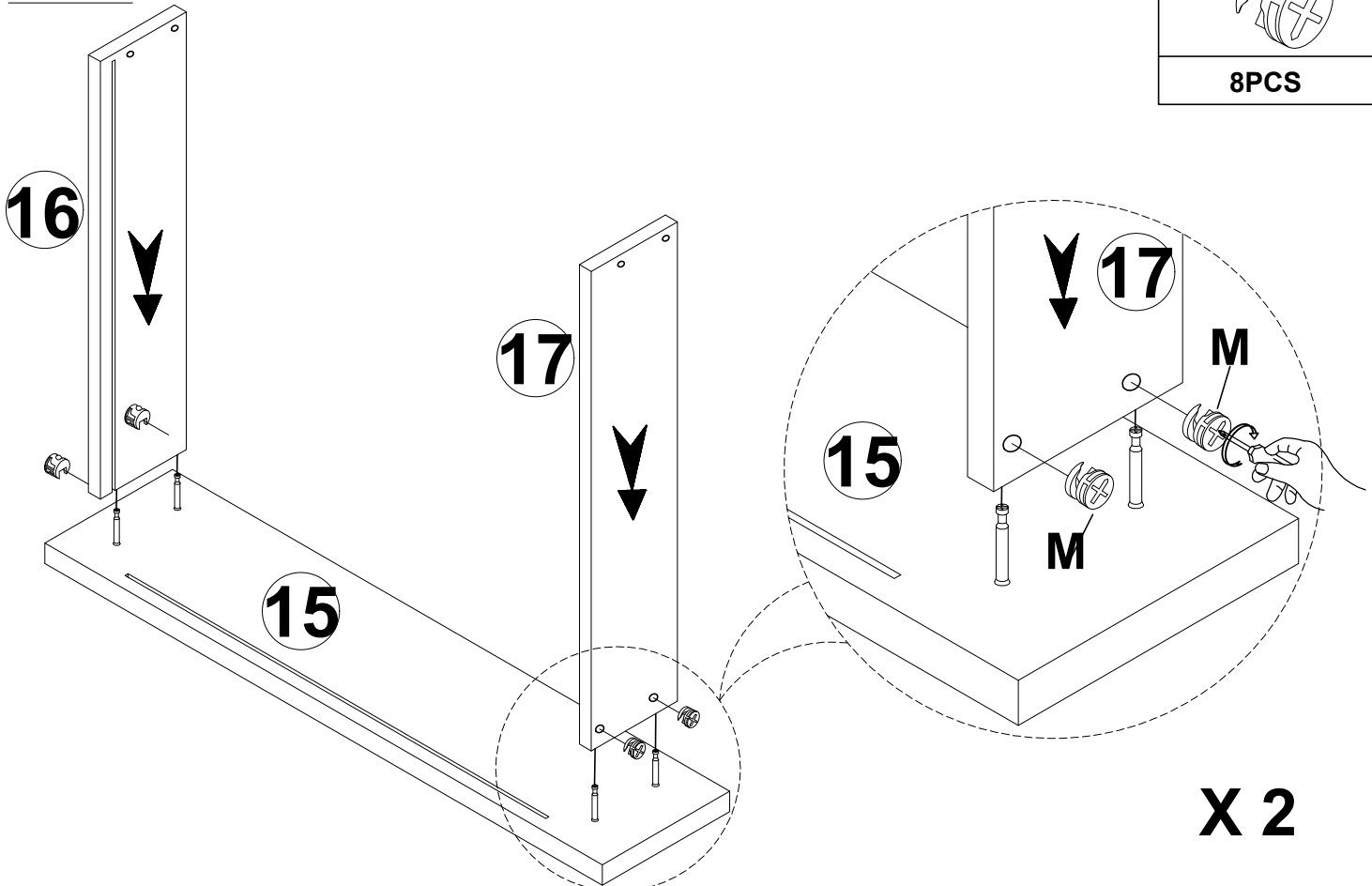
STEP 8

L	
8PCS	

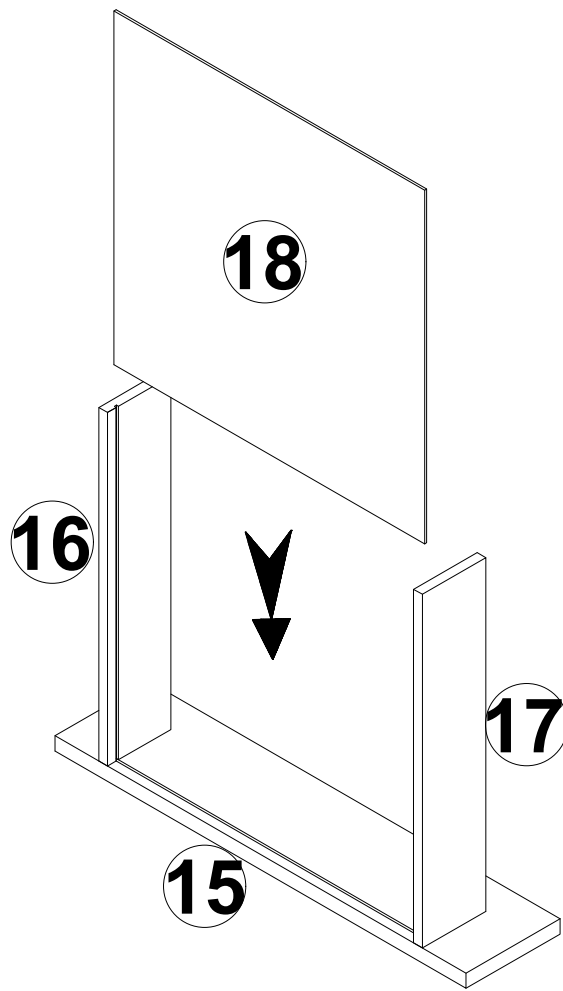


STEP 9

M	
8PCS	


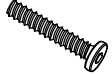


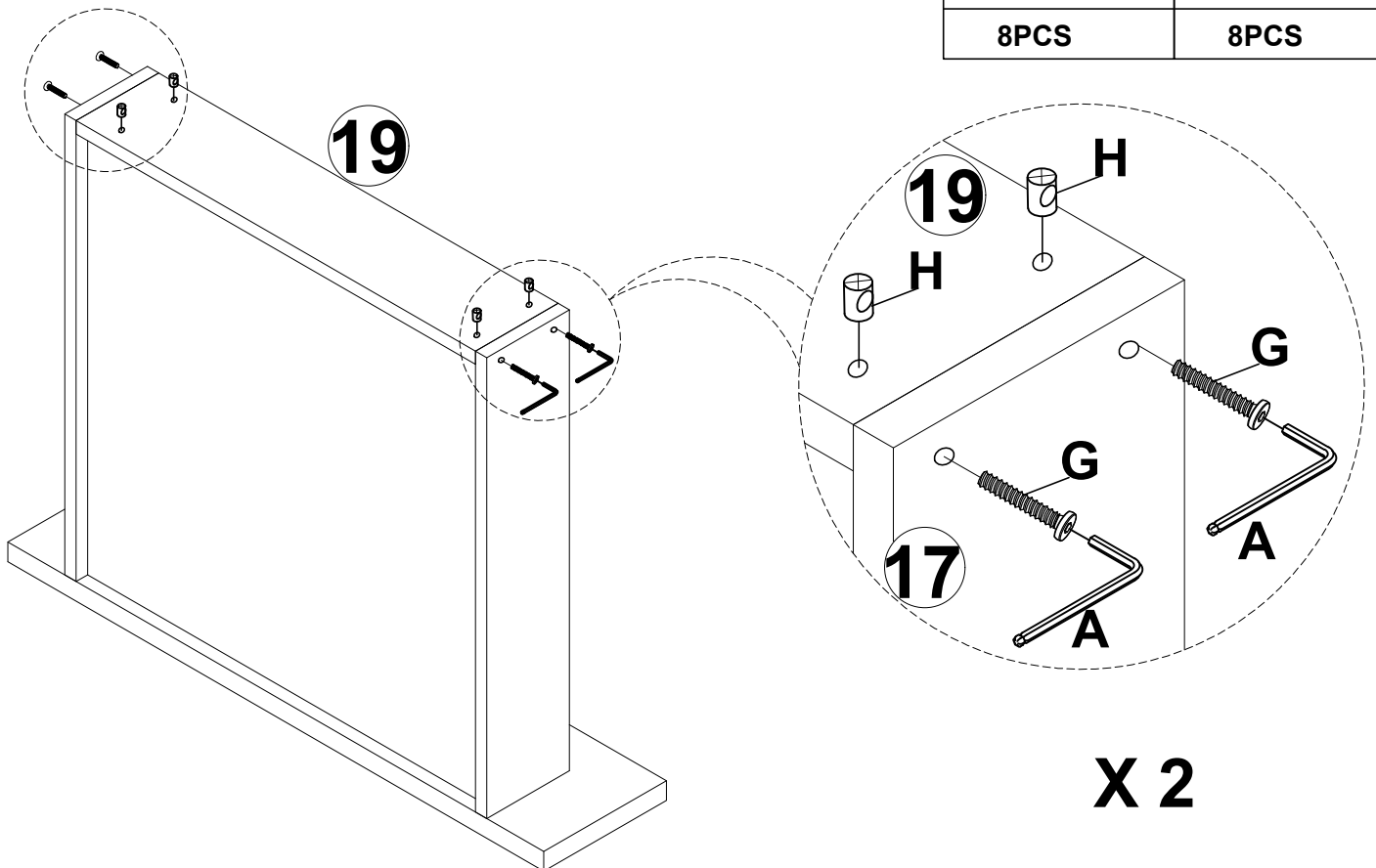
STEP 10



X 2

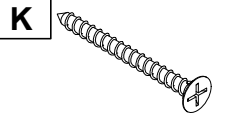
STEP 11

H		G	
8PCS		8PCS	

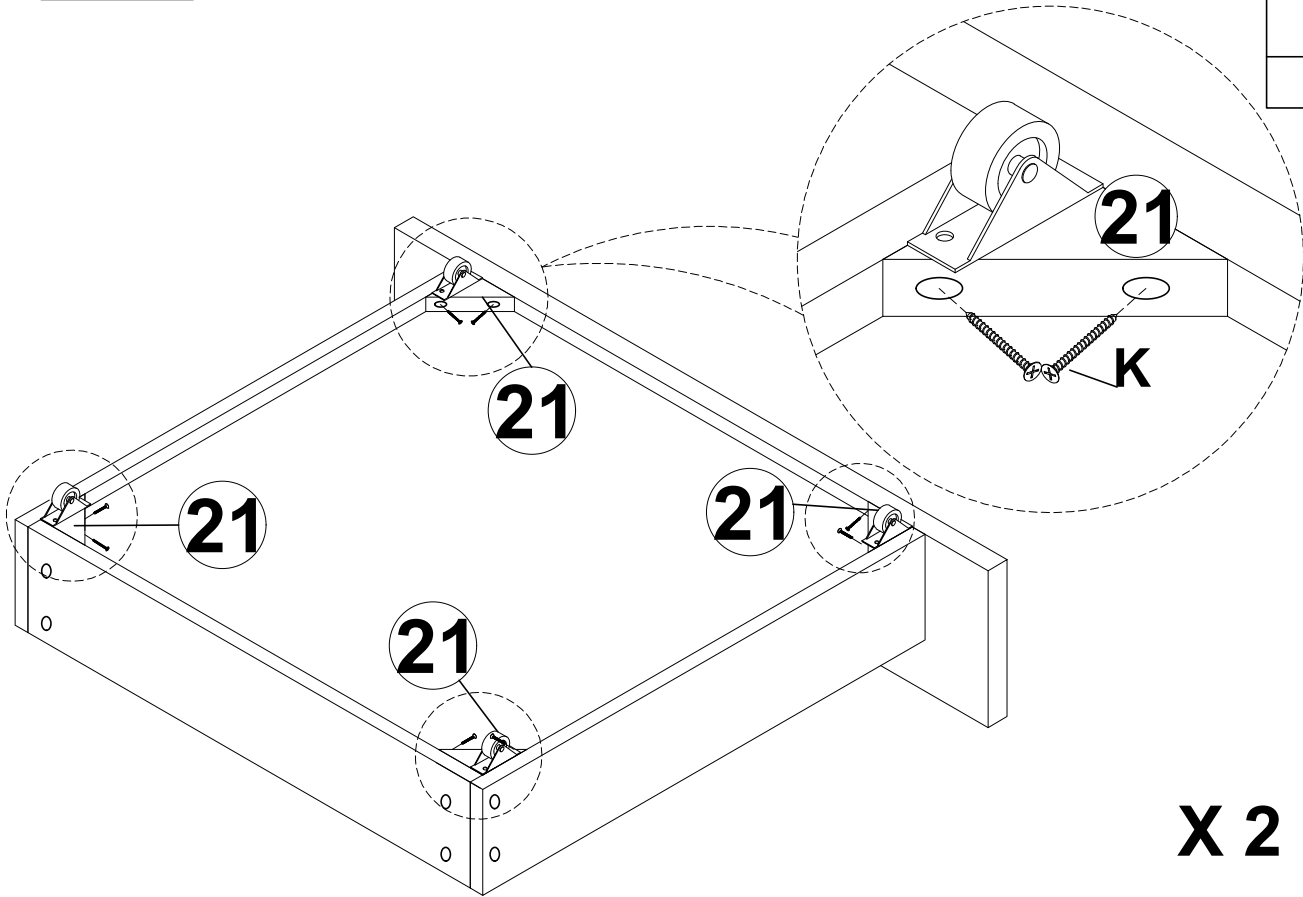


X 2

STEP 12

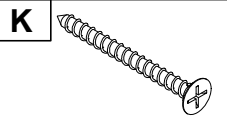


16PCS

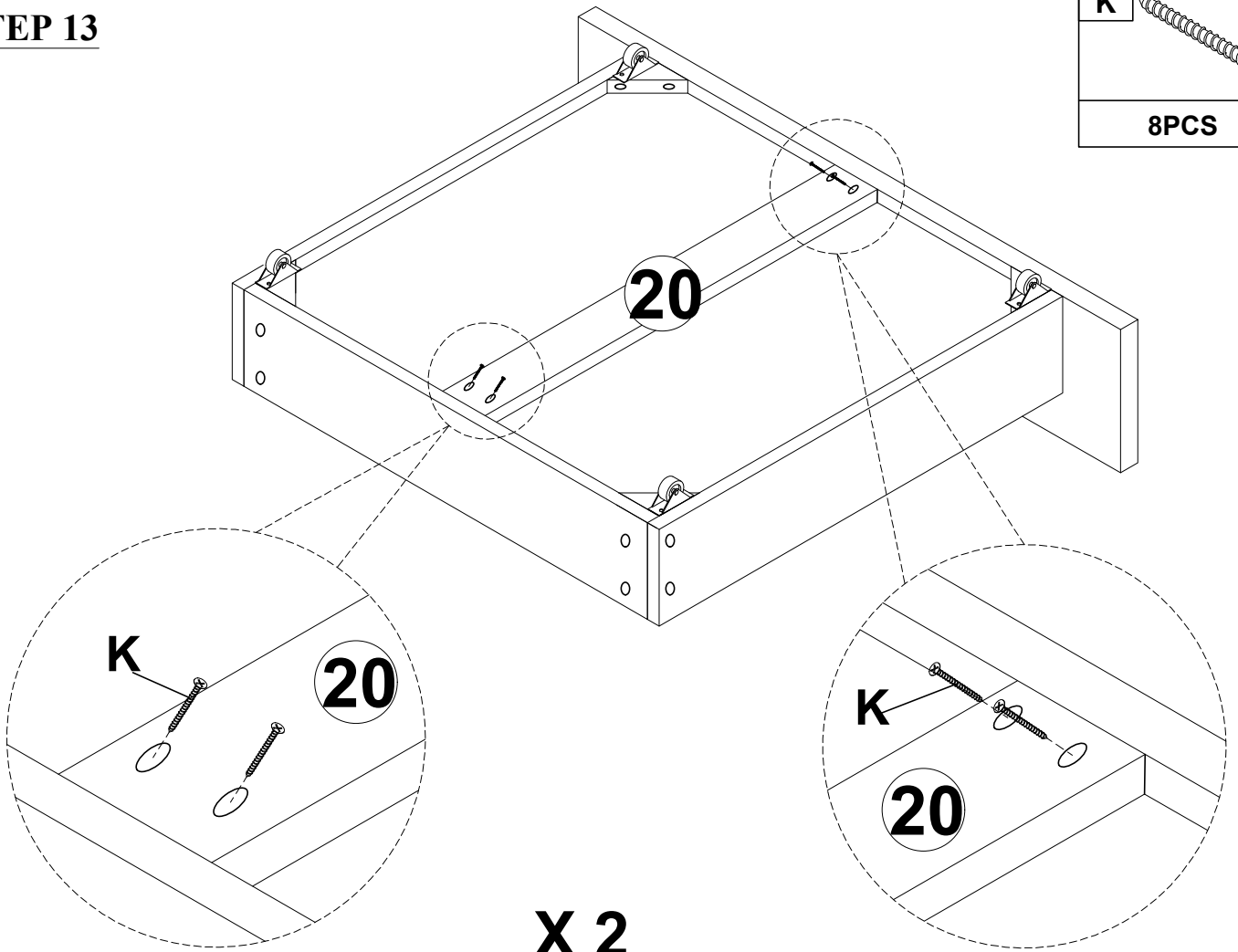


X 2

STEP 13



8PCS



X 2

STEP 14

