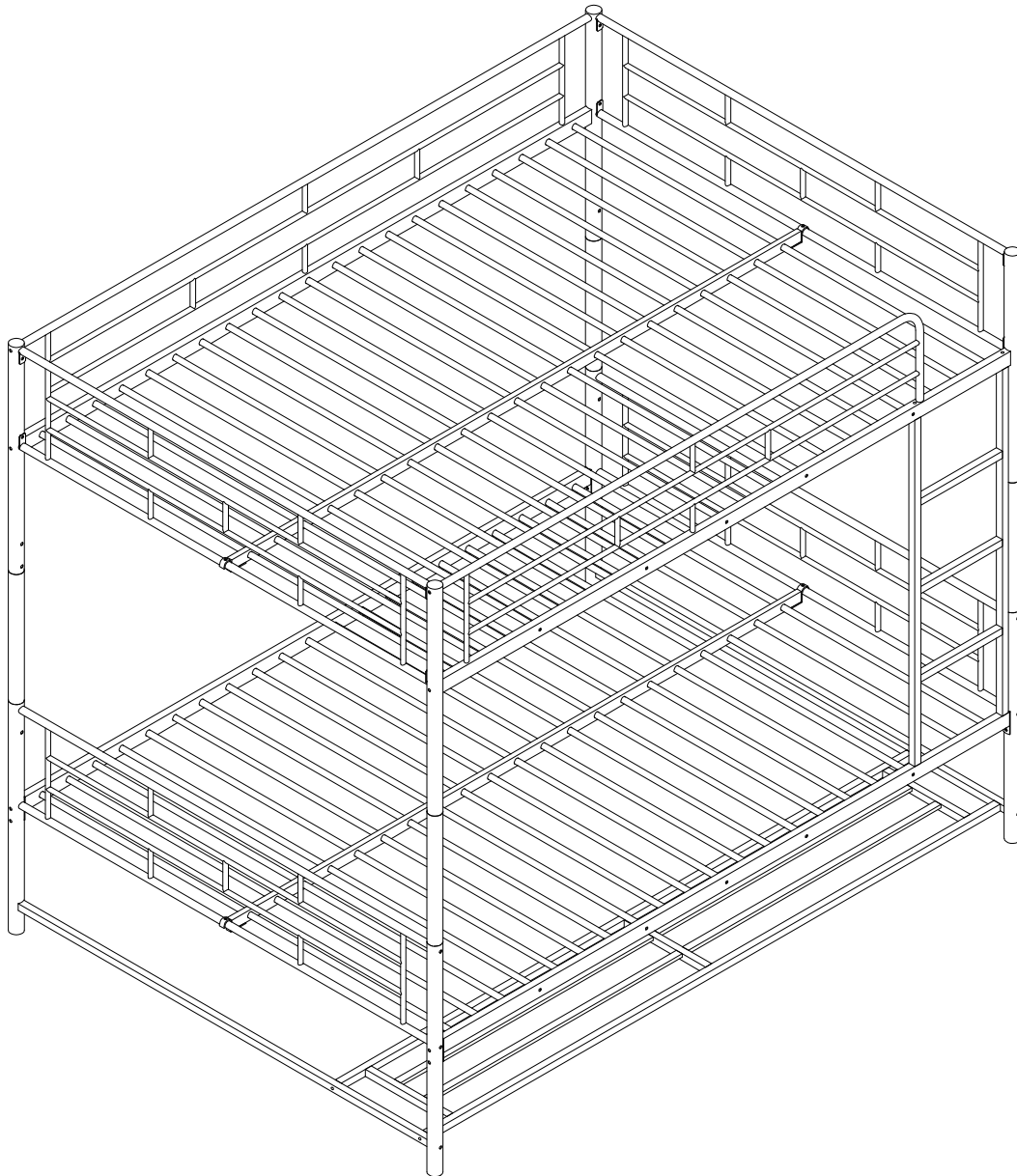
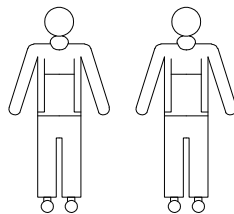


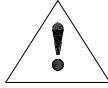
ASSEMBLY INSTRUCTION

MF306158/306159



Minimum no. 2 of people
recommended to assemble
this product: Approx.
assembly time: 60 mins





SAFETY WARNING



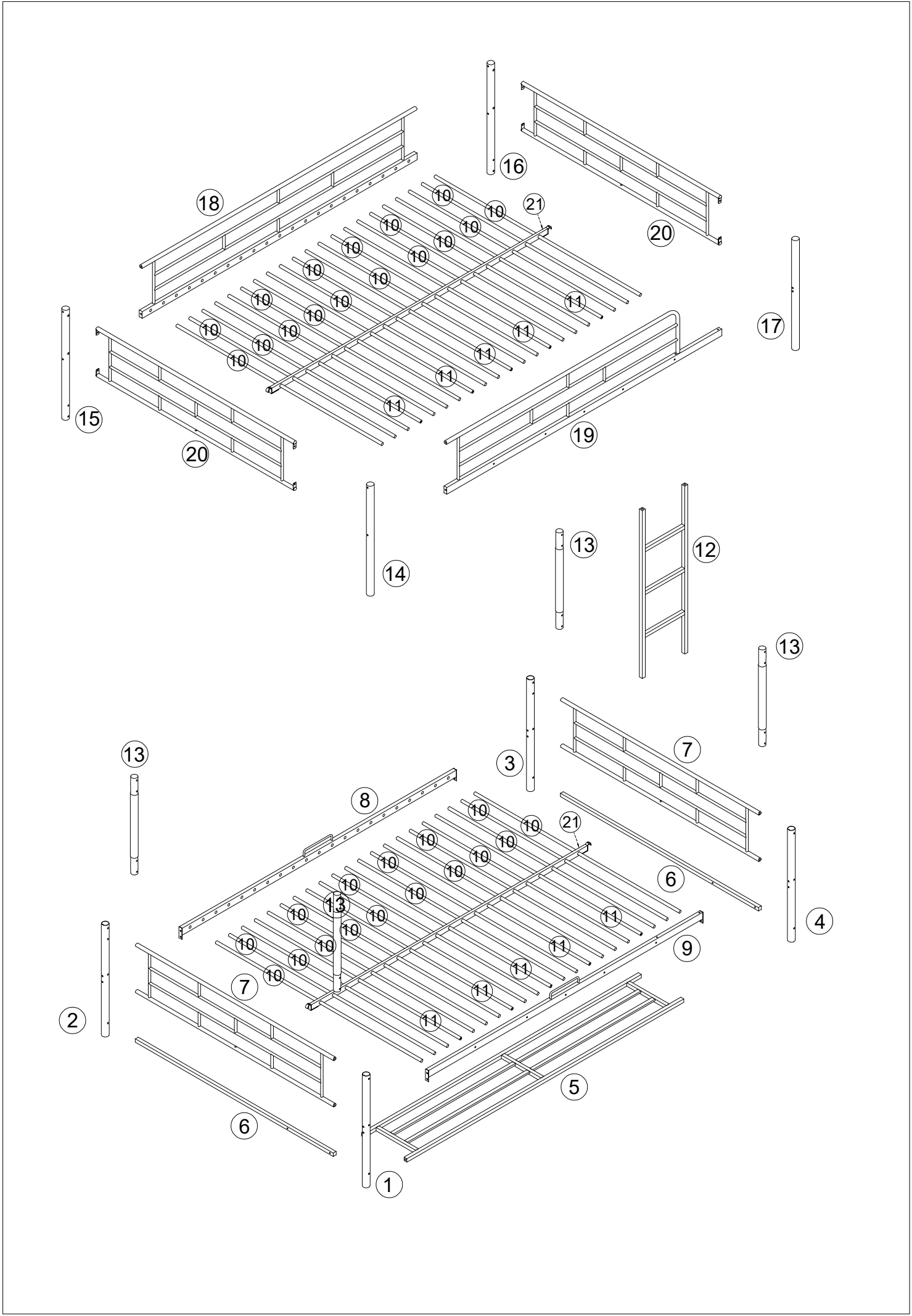
1. This bed is designed for use only mattress(es) meeting the following specifications on the upper bunk

Bed type	Length	Width	Thickness
Full Standard	74" - 75"	53.5"	6" Max





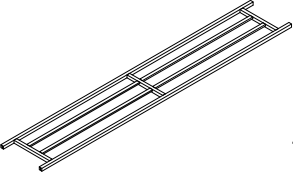
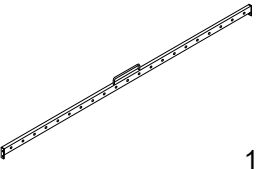
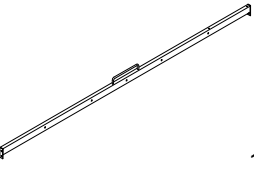
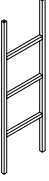





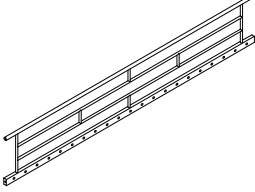
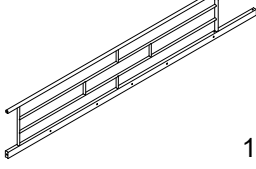
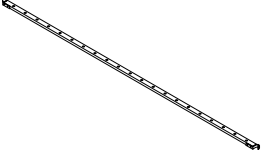
Lower bunk

Bed type	Length	Width	Thickness
Full Standard	74" - 75"	53.5"	8"

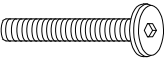
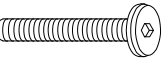
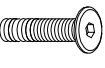

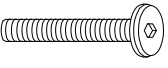
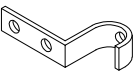
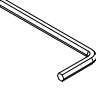
- 2. Replacement parts, including additional guardrails, maybe obtained from any for our (GIGACLOUD TECHNOLOGY(USA) INC.18961 ARENTH A VENUE CITY OF INDUSTRY, CA,91748) dealers**
- 3. Follow the information on the warnings appearing on the upper bunk bed end structure and on the carton. Do not remove warning label from bed.**
- 4. Always use the recommended size mattresses or mattress supports, or both, to help prevent the likelihood of entrapment or falls.**
- 5. Surface of mattress must be at least 5"(127mm) below the upper edge of guardrails .**
- 6. Do not allow children under 6 years of age to use the upper bunk.**
- 7. Periodically check and ensure that the guardrail , ladder , and other components are in their proper position , free from damage , and that all connectors are tight .**
- 8. Do not allow horseplay on or under the bed and prohibit Jumping on the bed .**
- 9. Always use the ladder for entering and leaving the upper bunk .**
- 10. Do not use substitute part . Contact the manufacturer or dealer for replacement part .**
- 11. Use of a night light may provide added safety precaution for a child using the upper bunk .**
- 12. Always use guardrails on both long sides of upper bunk . if the bunk bed will be placed next to the wall , the guardrail that runs the full length of the bed should be placed against the wall to prevent entrapment between the bed and wall .**
- 13. The use of water or sleep flotation mattresses is prohibited .**
- 14. STRANGULATION HAZARD - Never attach or hang items to any part of the bunk bed that are not designed for use with the bed ; for example , but not limited to , hook , belts and Jump ropes .**
- 15. Keep these instruction for future reference .**
- 16. Prohibit more than one person on upper bunk**
- 17. We recommend assembling your bunk bed on the shipping carton to protect your floor or carpet**
- 18. Be certain all staples are out the box before beginning assembly on the shipping carton .**



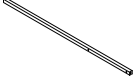
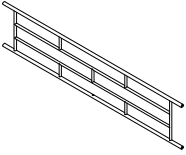


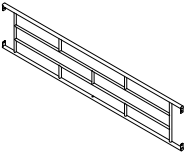
PART LIST MF306158

<p>1</p>  <p>1PC</p>	<p>2</p>  <p>1PC</p>	<p>3</p>  <p>1PC</p>
<p>4</p>  <p>1PC</p>	<p>5</p>  <p>1PC</p>	<p>8</p>  <p>1PC</p>
<p>9</p>  <p>1PC</p>	<p>12</p>  <p>1PC</p>	<p>13</p>  <p>4PCS</p>
<p>14</p>  <p>1PC</p>	<p>15</p>  <p>1PC</p>	<p>16</p>  <p>1PC</p>
<p>17</p>  <p>1PC</p>	<p>18</p>  <p>1PC</p>	<p>19</p>  <p>1PC</p>
<p>21</p>  <p>2PCS</p>		

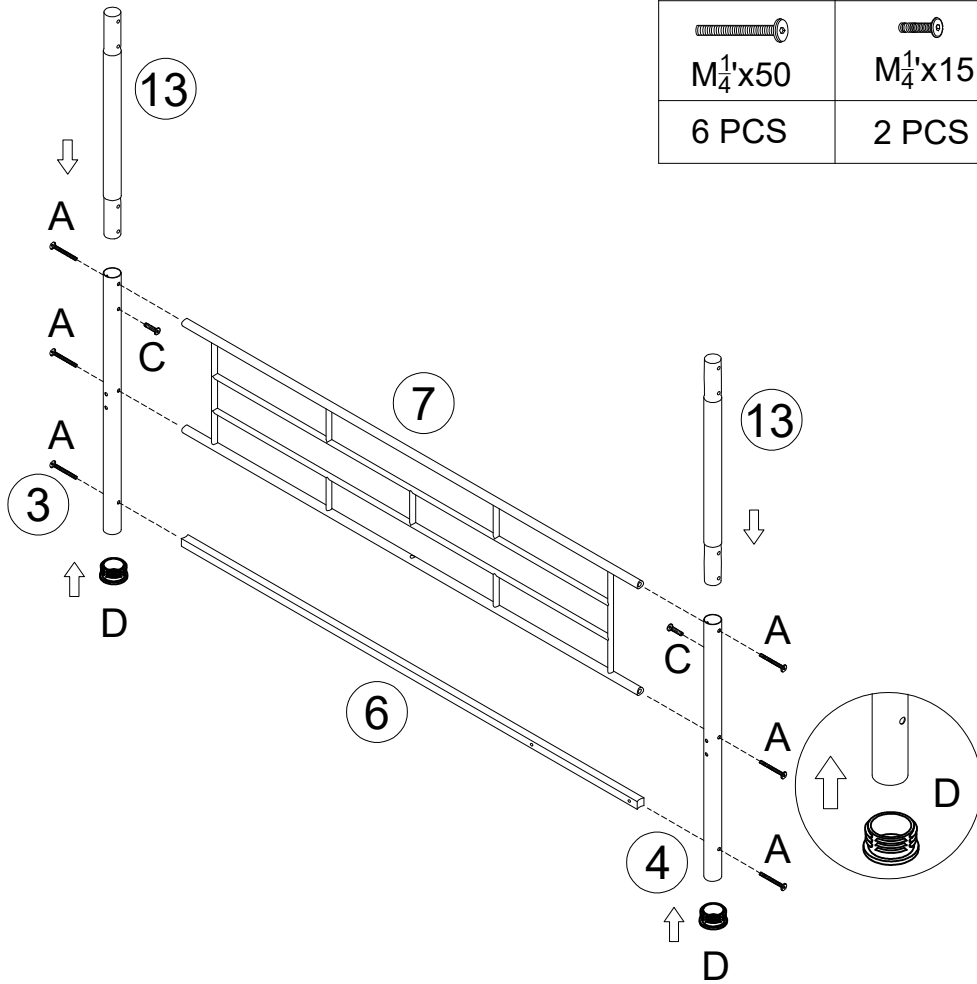
HARDWARE LIST MF306158




<p>A</p>  <p>28PCS M$\frac{1}{4}$"X50</p>	<p>B</p>  <p>4PCS M$\frac{1}{4}$"X35</p>	<p>C</p>  <p>52PCS M$\frac{1}{4}$"X15</p>	<p>D</p>  <p>12PCS Ø38x20</p>
<p>E</p>  <p>4PCS M$\frac{1}{4}$"X45</p>	<p>F</p>  <p>4PC 7X70X68</p>	<p>G</p>  <p>1PC M4X23X57</p>	

PART LIST MF306159

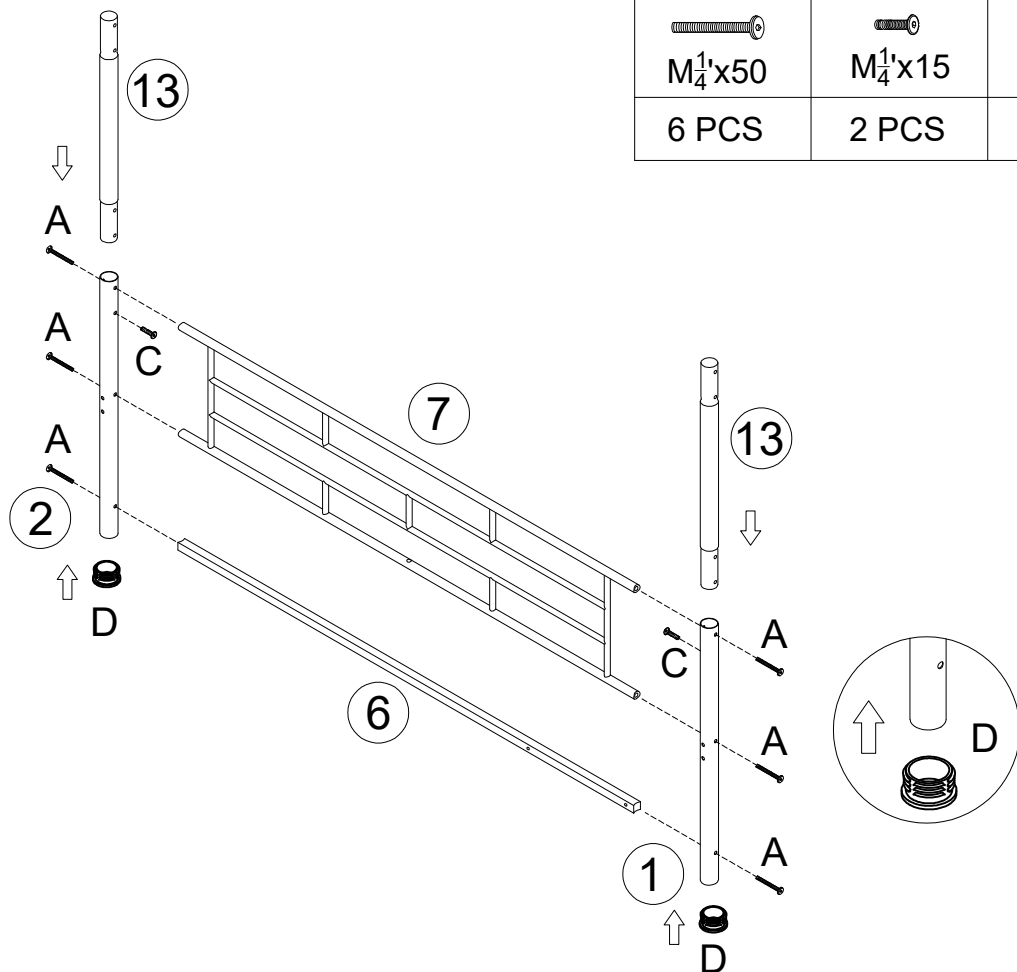
<p>6</p>  <p>2PCS</p>	<p>7</p>  <p>2PCS</p>	<p>10</p>  <p>32PCS</p>
<p>11</p>  <p>10PCS</p>	<p>20</p>  <p>2PCS</p>	




STEP 1

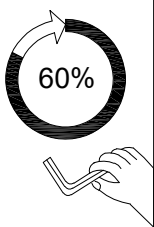


A	C	D
 M $\frac{1}{4}$ x50	 M $\frac{1}{4}$ x15	 Ø38x20
6 PCS	2 PCS	2 PCS

STEP 2



A	C	D
 M $\frac{1}{4}$ x50	 M $\frac{1}{4}$ x15	 Ø38x20
6 PCS	2 PCS	2 PCS



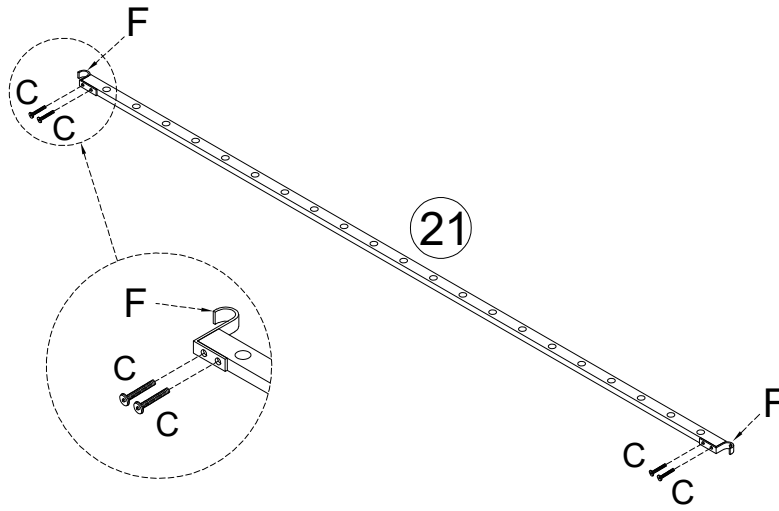
STEP 3

2 SET

C

M $\frac{1}{4}$ x15

8 PCS

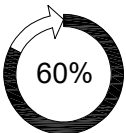
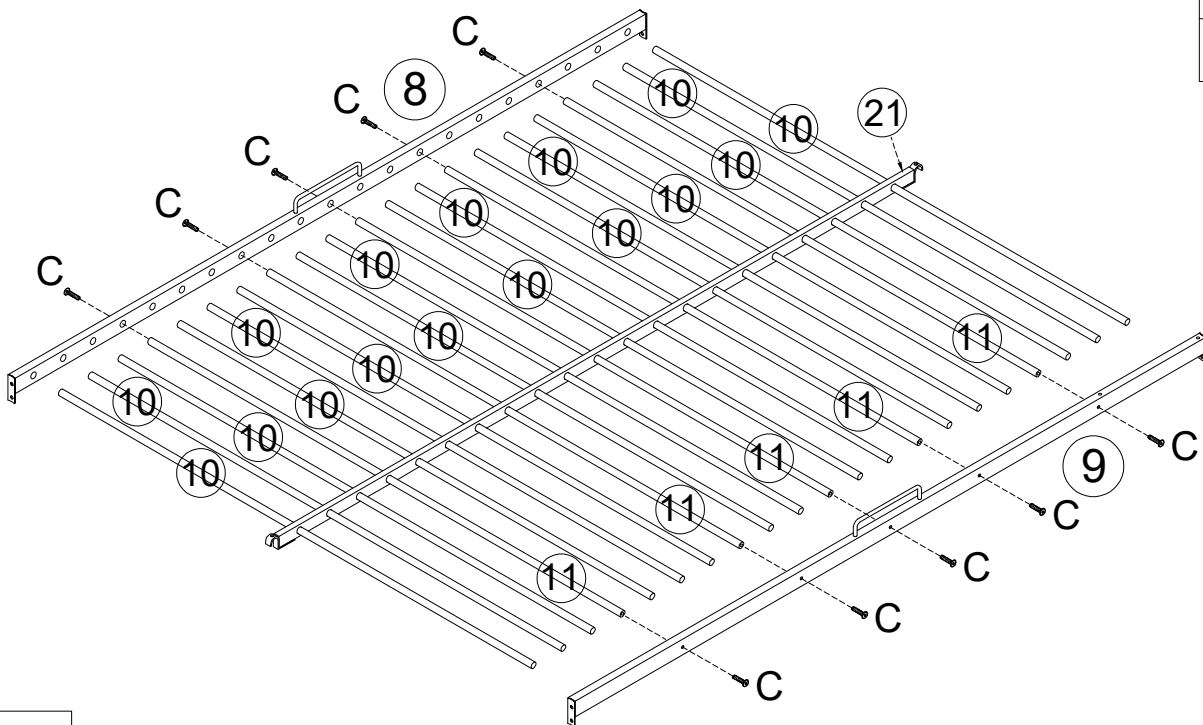


STEP 4




C

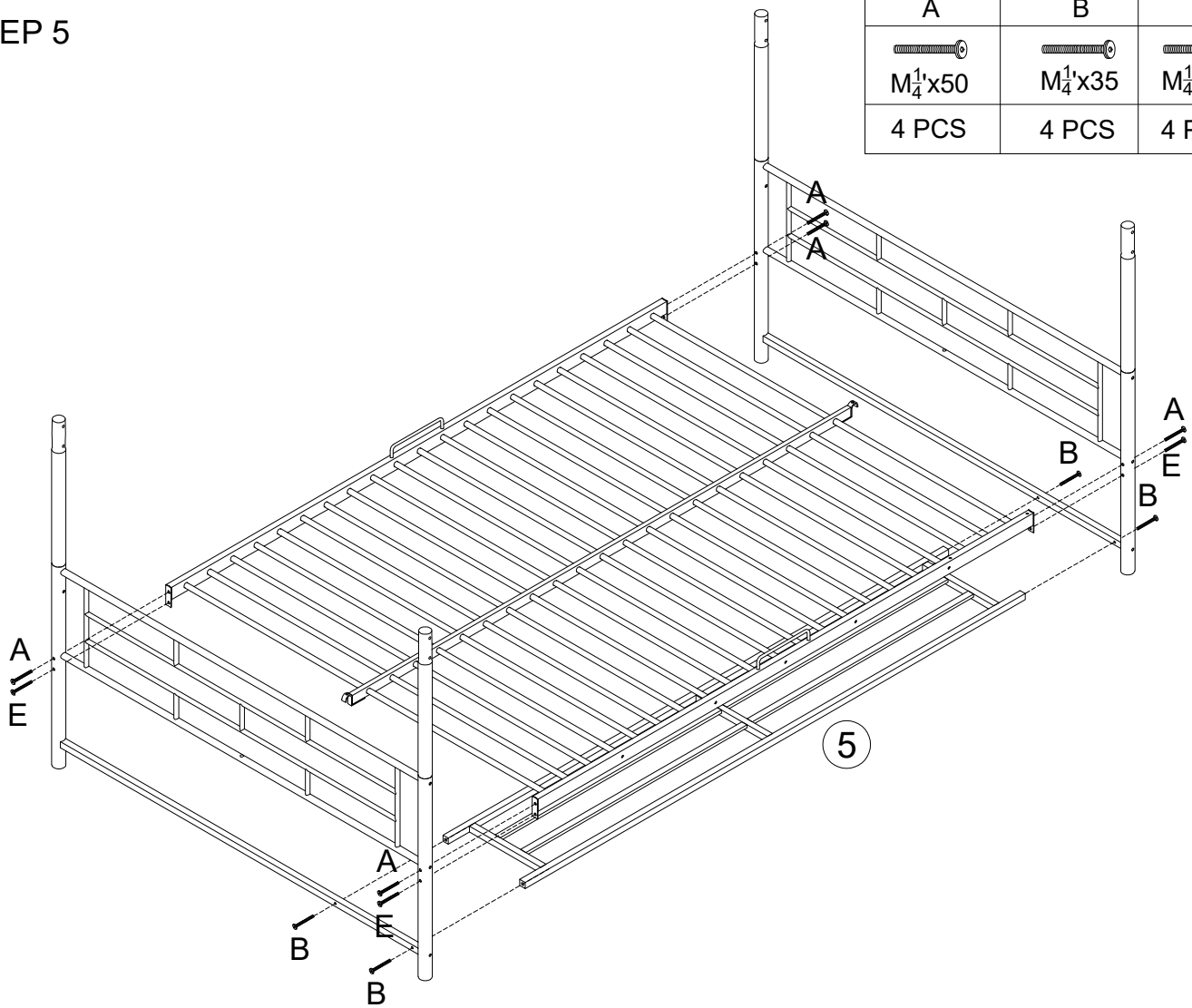
M $\frac{1}{4}$ x15

10 PCS




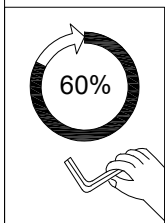
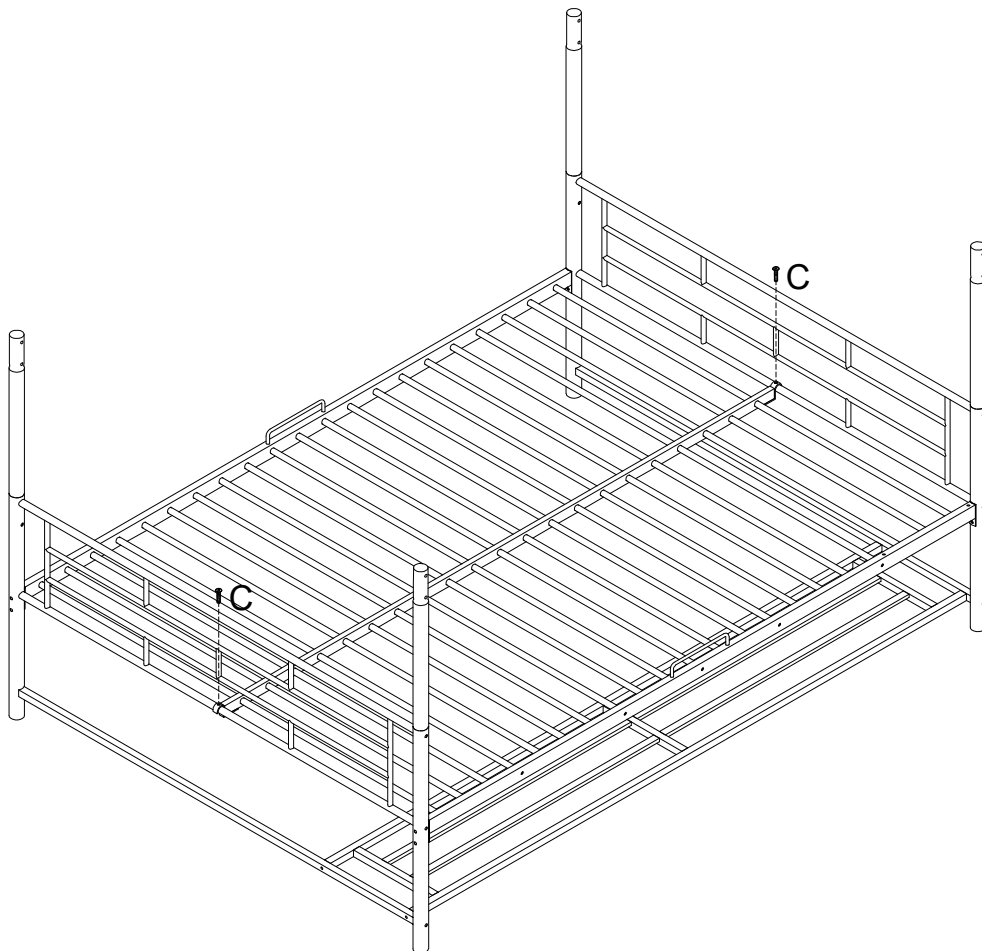
STEP 5

A	B	E
		
M $\frac{1}{4}$ "x50	M $\frac{1}{4}$ "x35	M $\frac{1}{4}$ "x45
4 PCS	4 PCS	4 PCS



STEP 6

C

M $\frac{1}{4}$ "x15
2 PCS

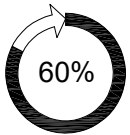
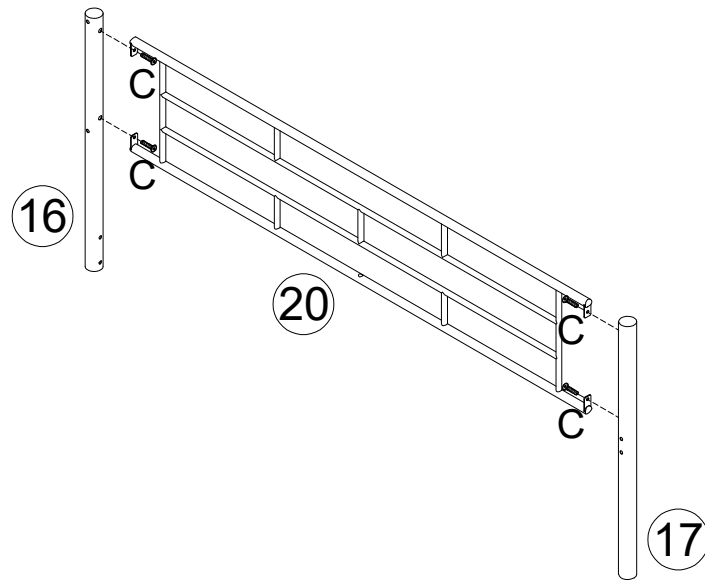


STEP 7

C

M $\frac{1}{4}$ x15

4 PCS

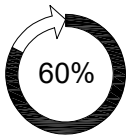
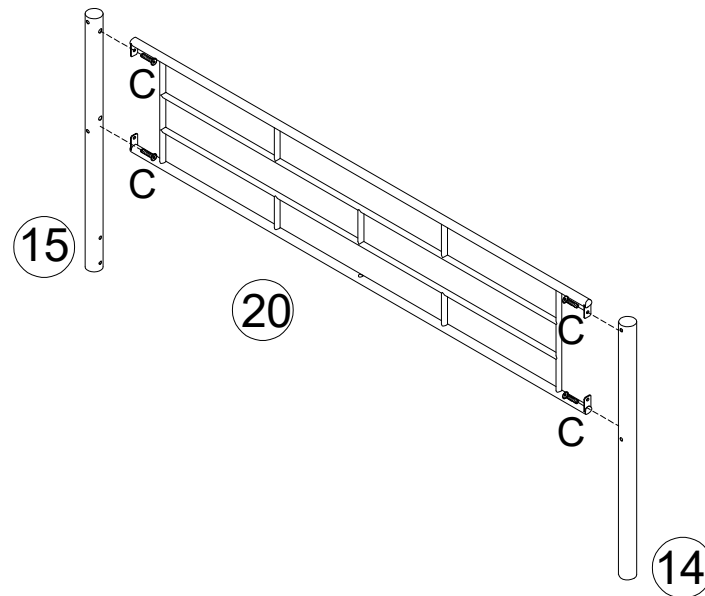


STEP 8

C


M $\frac{1}{4}$ x15

4 PCS

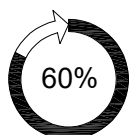
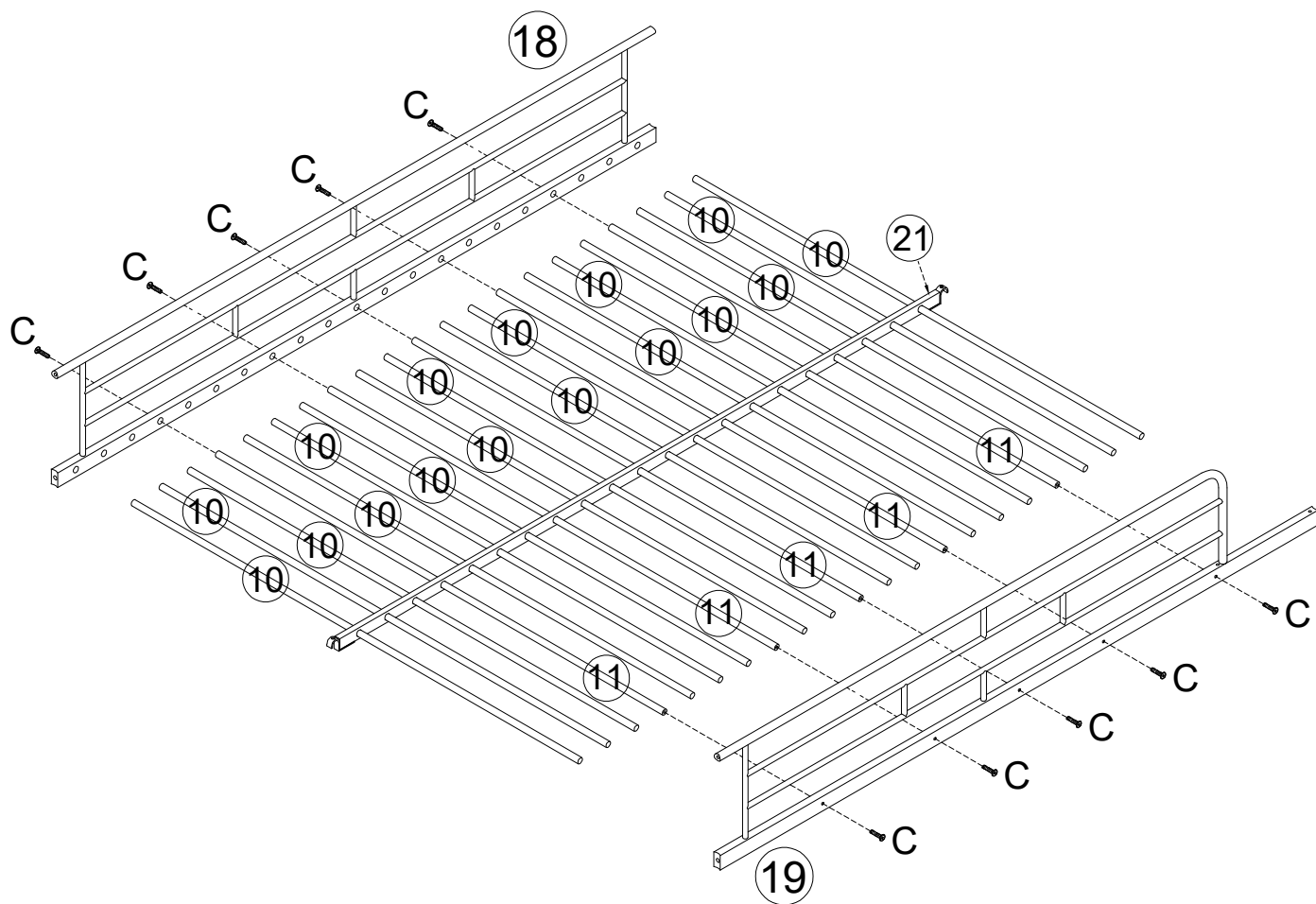


STEP 9

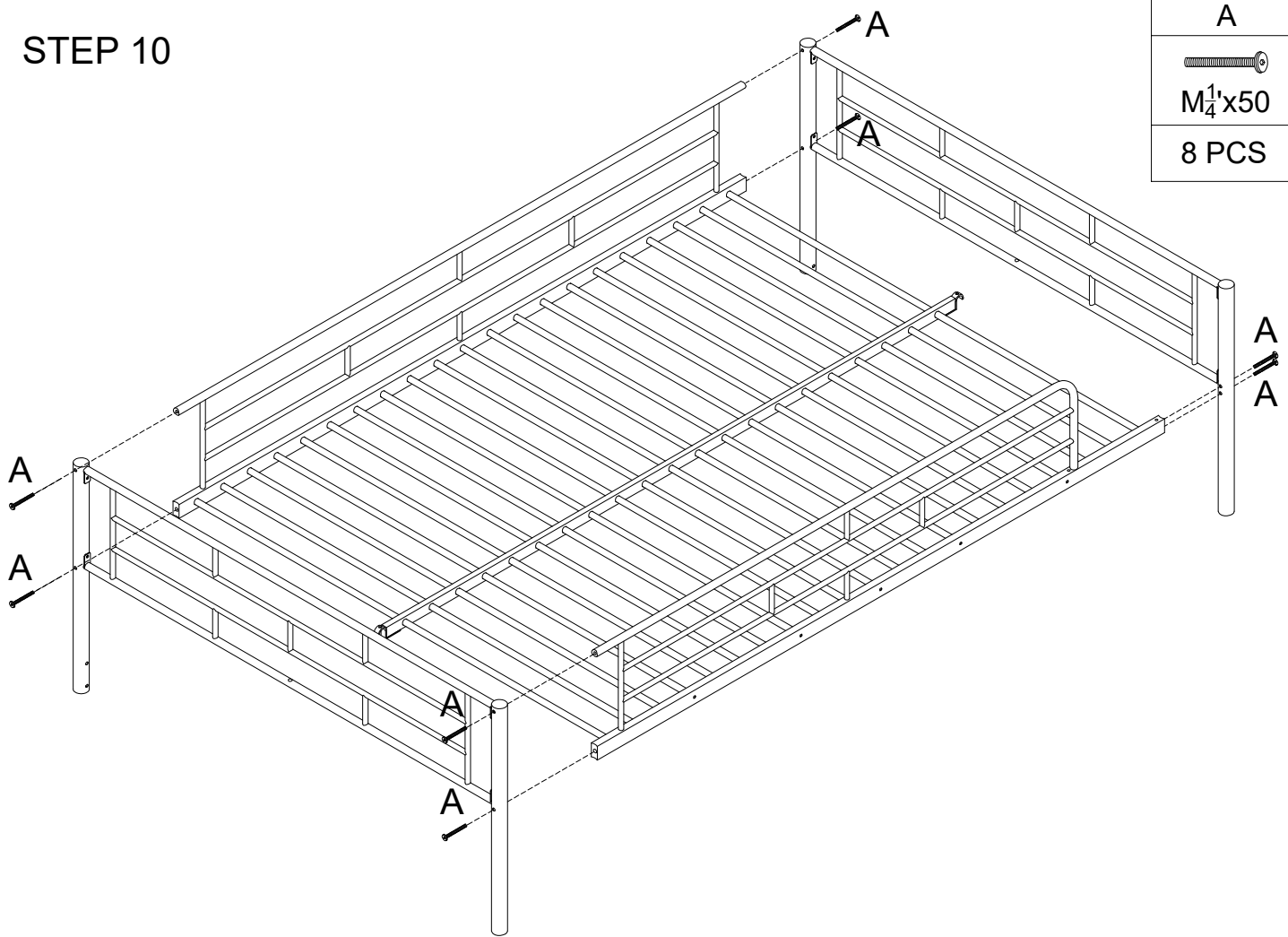
C


M $\frac{1}{4}$ x15

10 PCS



STEP 10



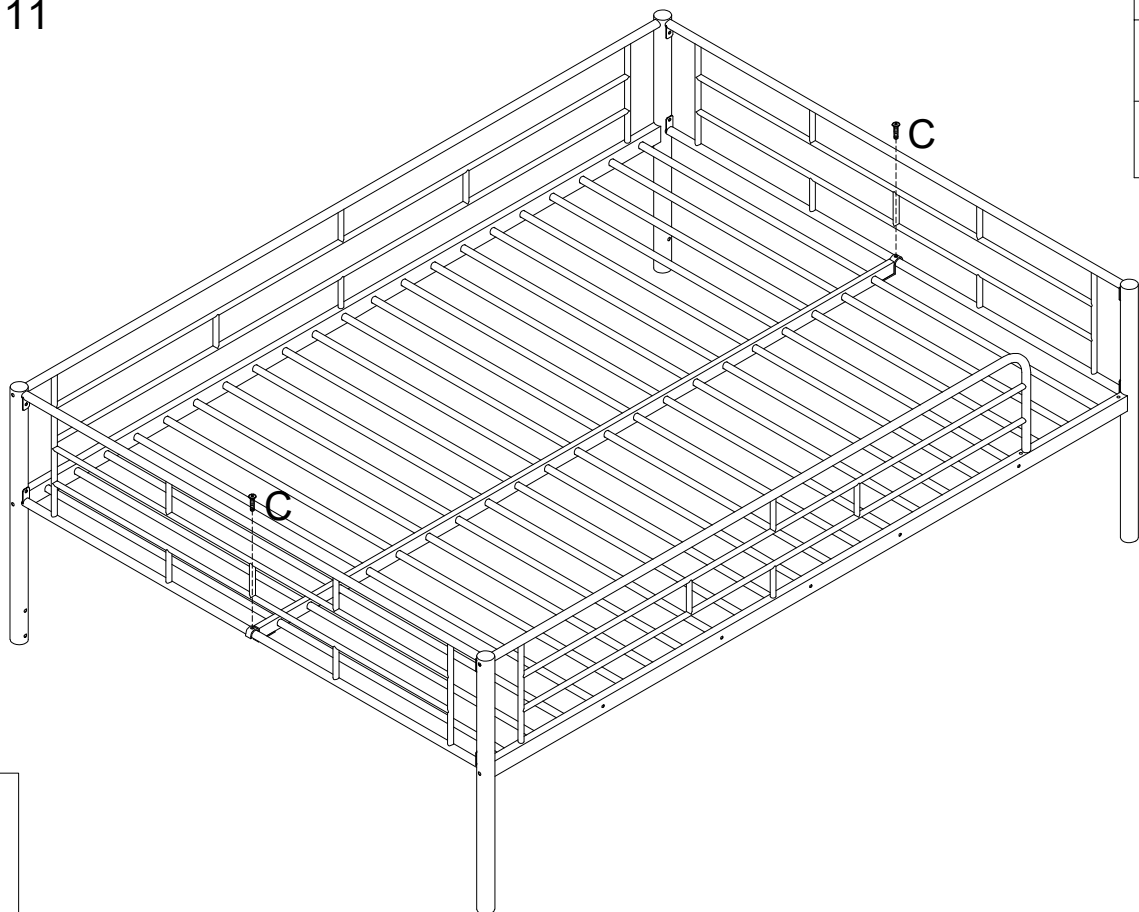
A



M $\frac{1}{4}$ x50

8 PCS

STEP 11

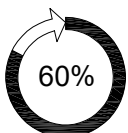


C




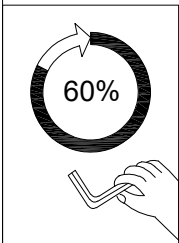
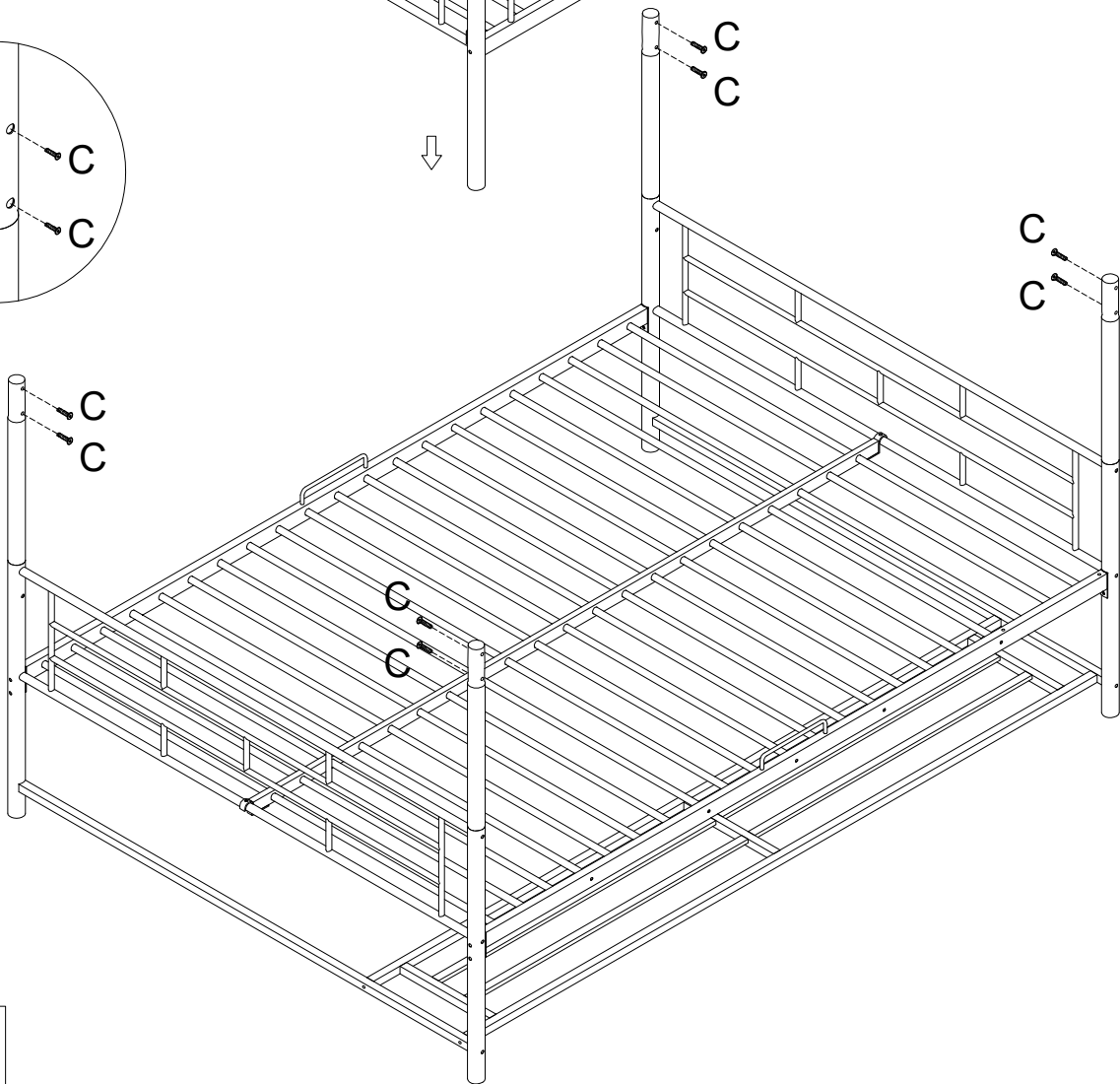
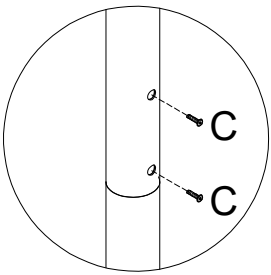
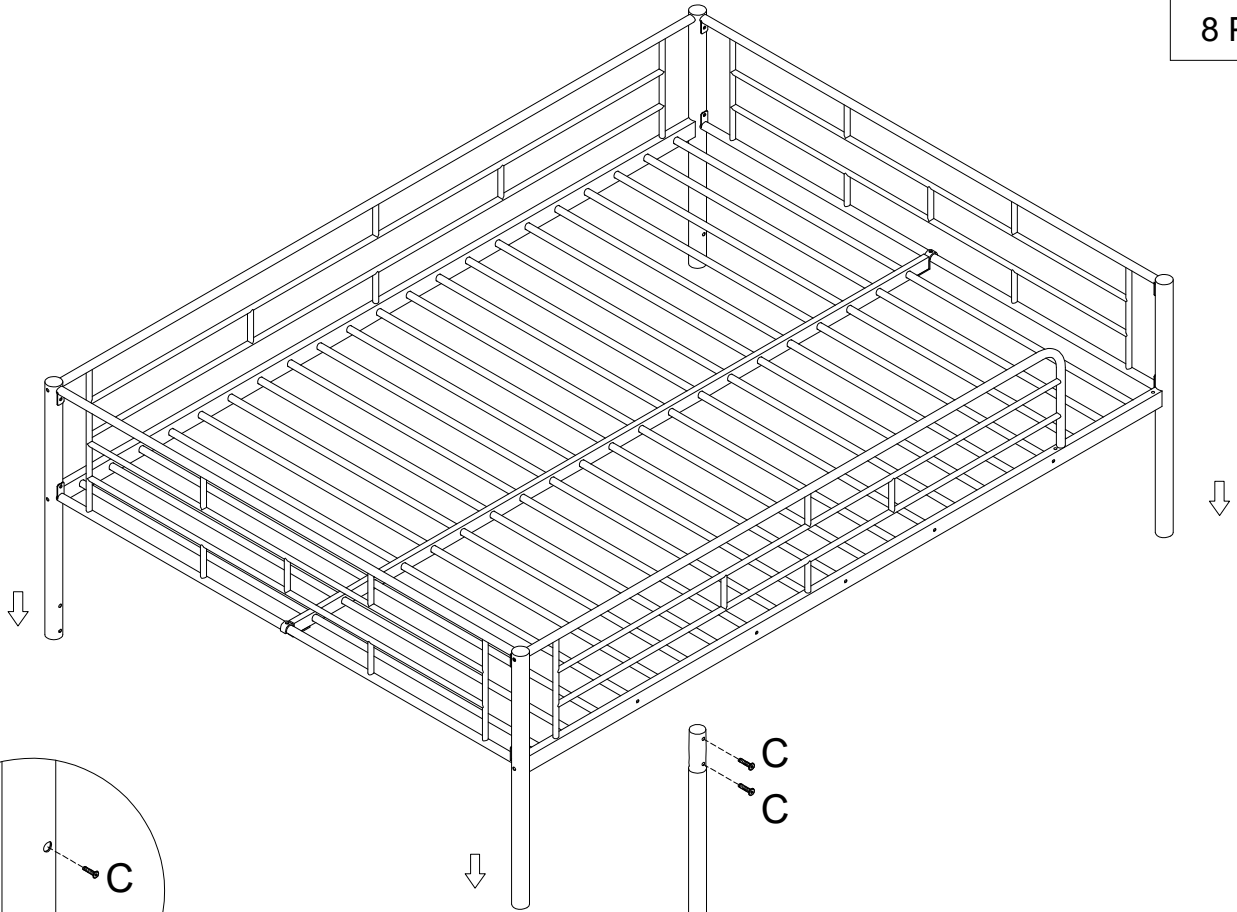
M $\frac{1}{4}$ x15

2 PCS



STEP 12

C
 M $\frac{1}{4}$ "x15
8 PCS

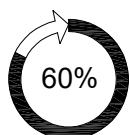
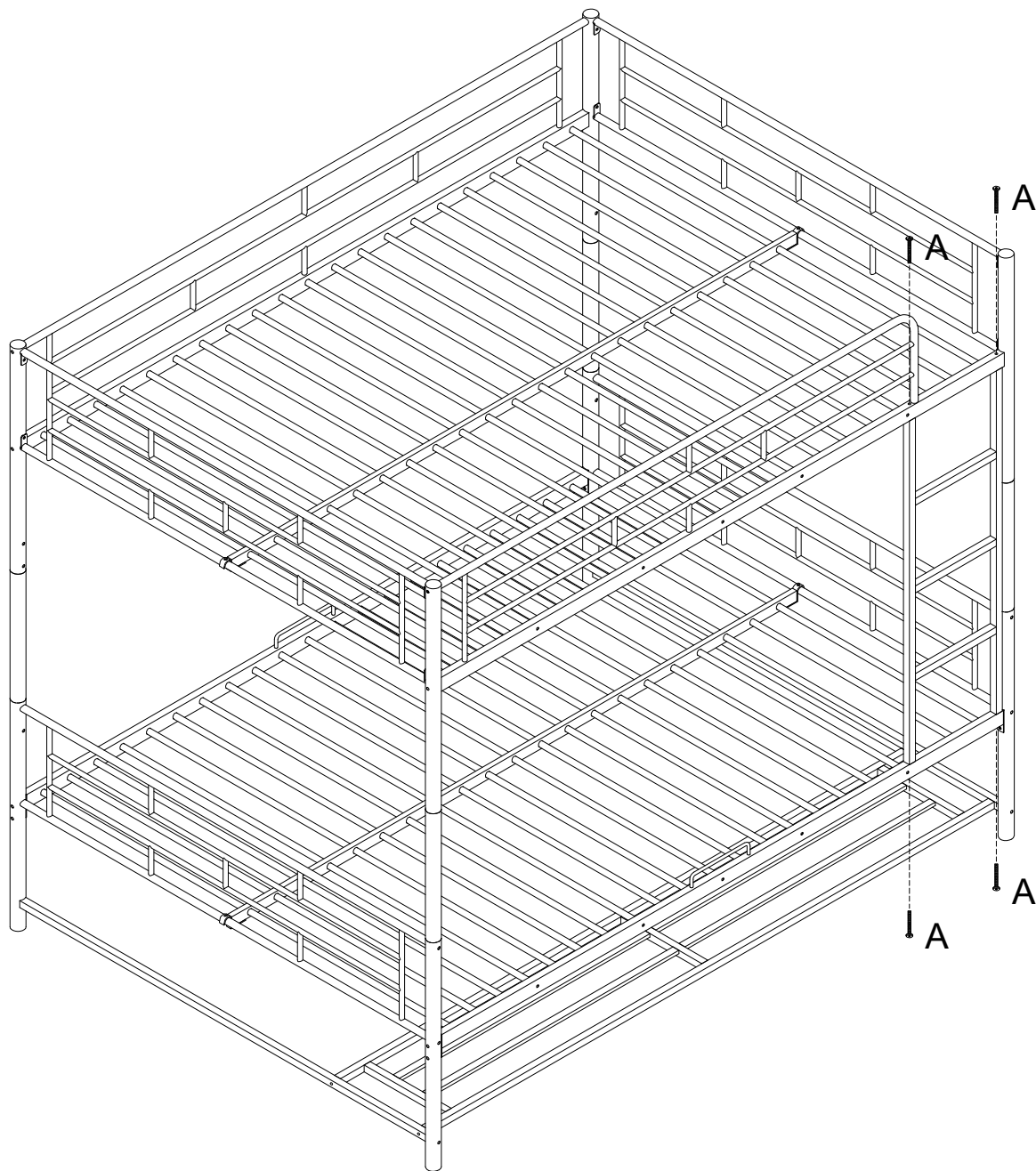


STEP 13

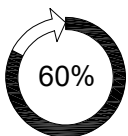
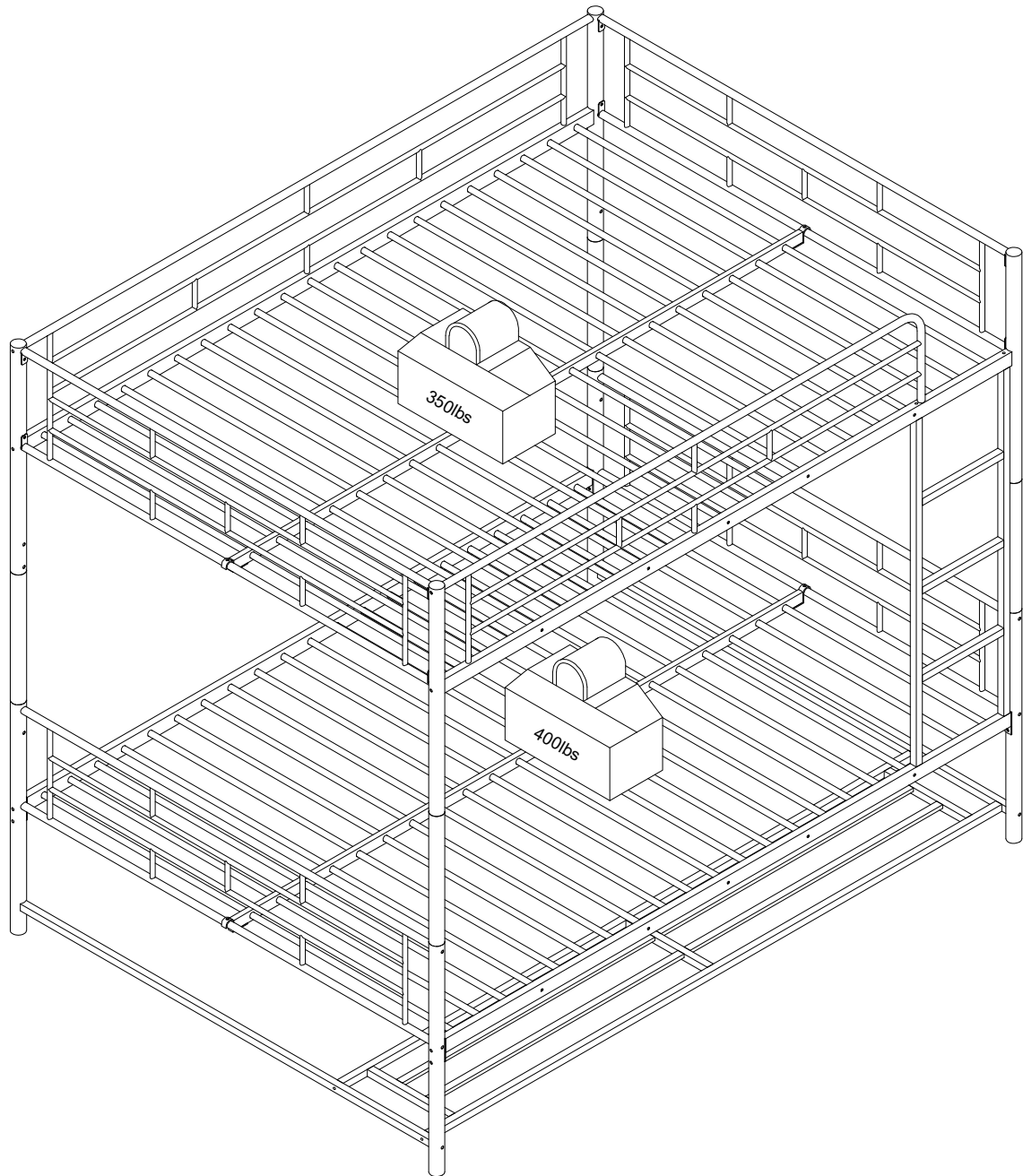
A

M $\frac{1}{4}$ "x50

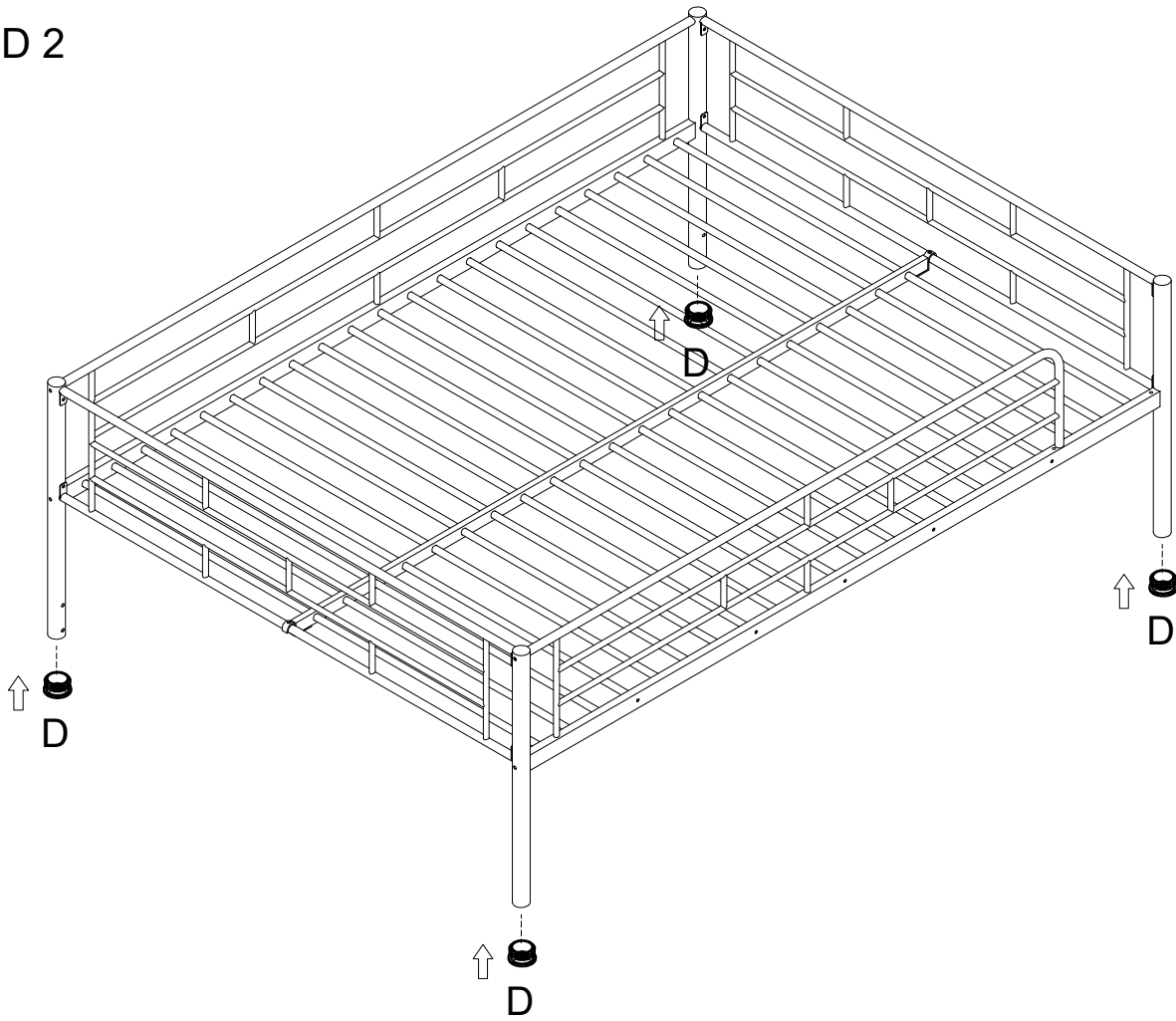
4 PCS




STEP 14

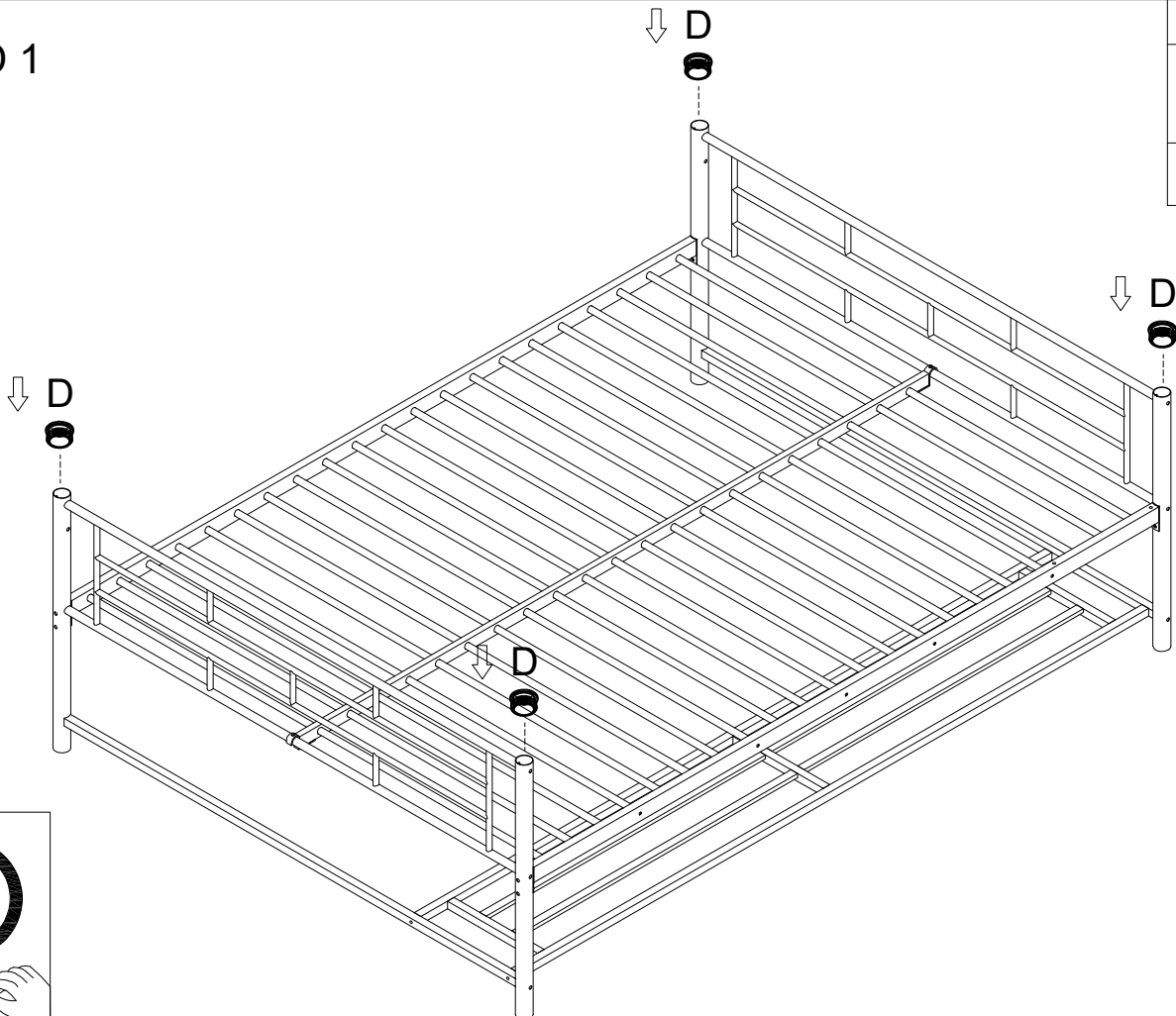



BED 2



D
 Ø38x20
4 PCS

BED 1



D
 Ø38x20
4 PCS

