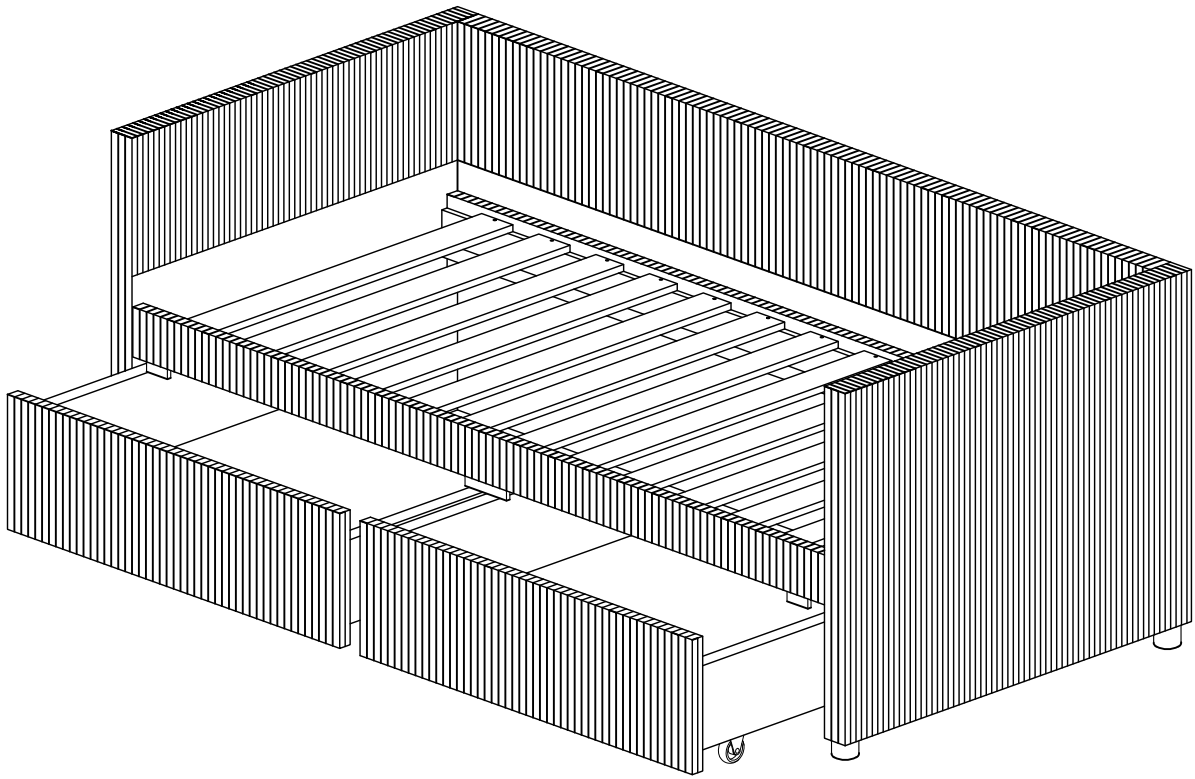
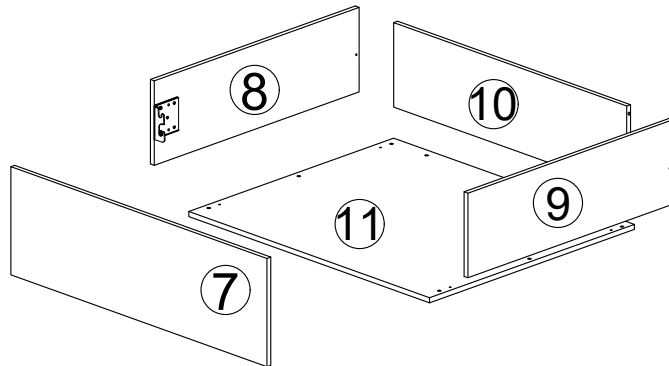
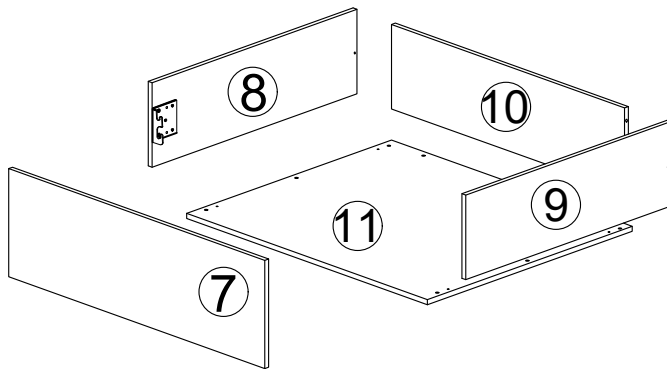
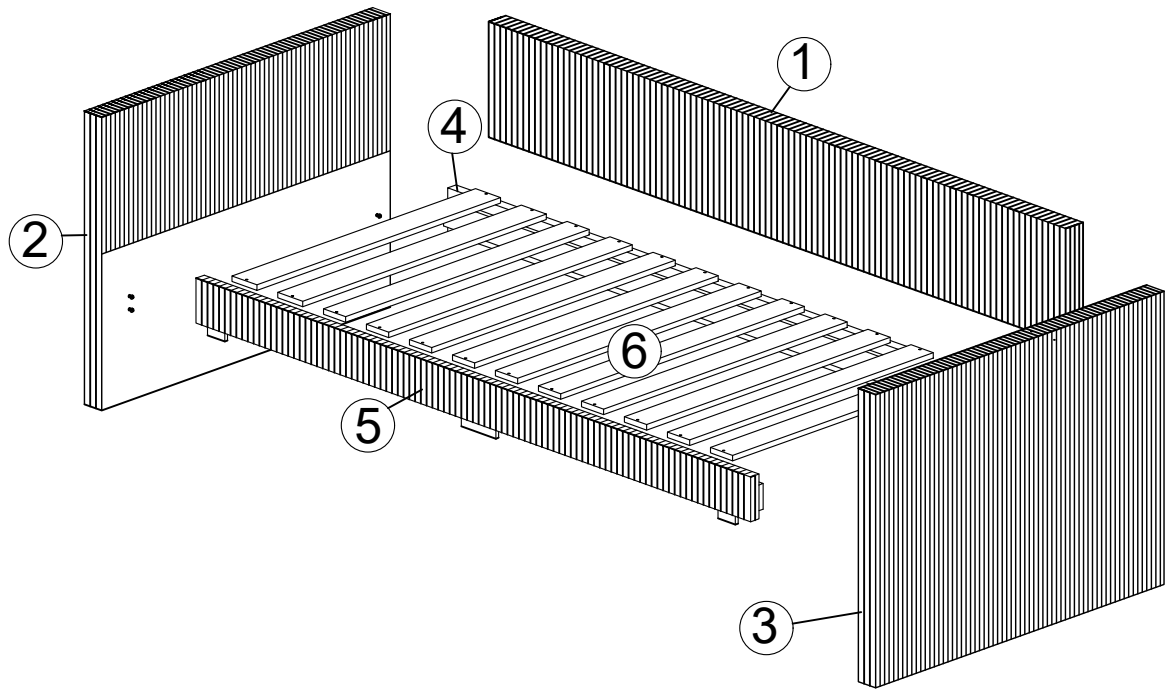


ASSEMBLY INSTRUCTION

SKU CODE : WF303274 / WF303275

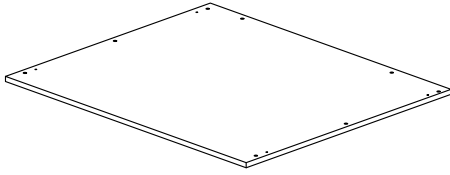


Detail :



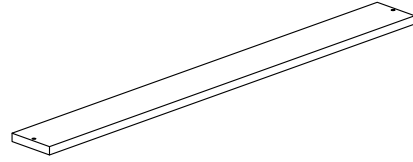
Part List (WF303274)

①① x2



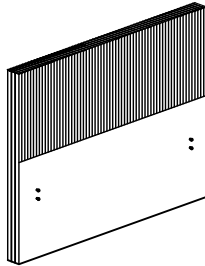
Drawer Base Panel

⑥ x12



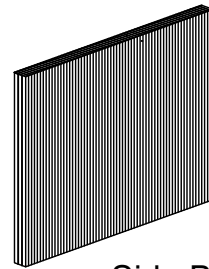
LVL Slats

② x1



Side Board Left

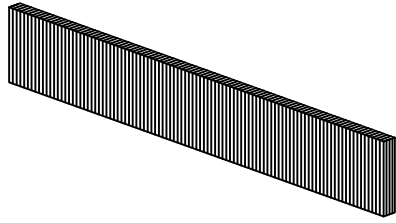
③ x1



Side Board Right

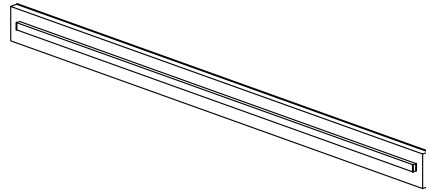
Part List (WF303275)

① x1



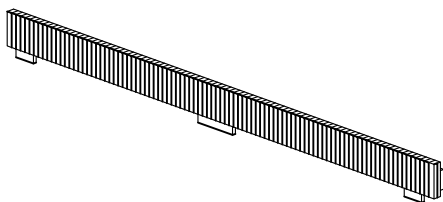
Head Board

④ x1



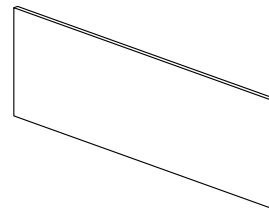
Side Rail

⑤ x1



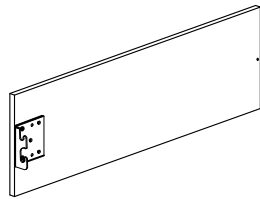
Side Rail

⑦ x2



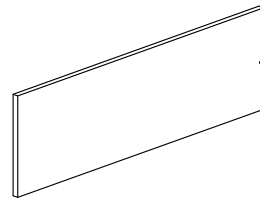
Drawer Front Panel

⑧ x2



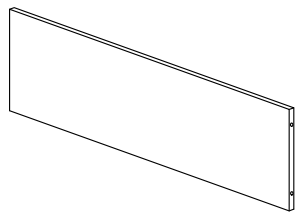
Drawer Side Panel

⑨ x2





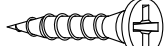

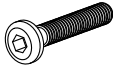
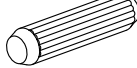
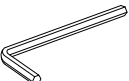
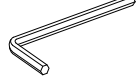
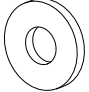


Drawer Side Panel

⑩ x2

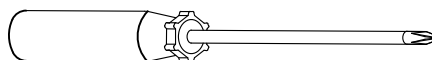


Drawer End Panel

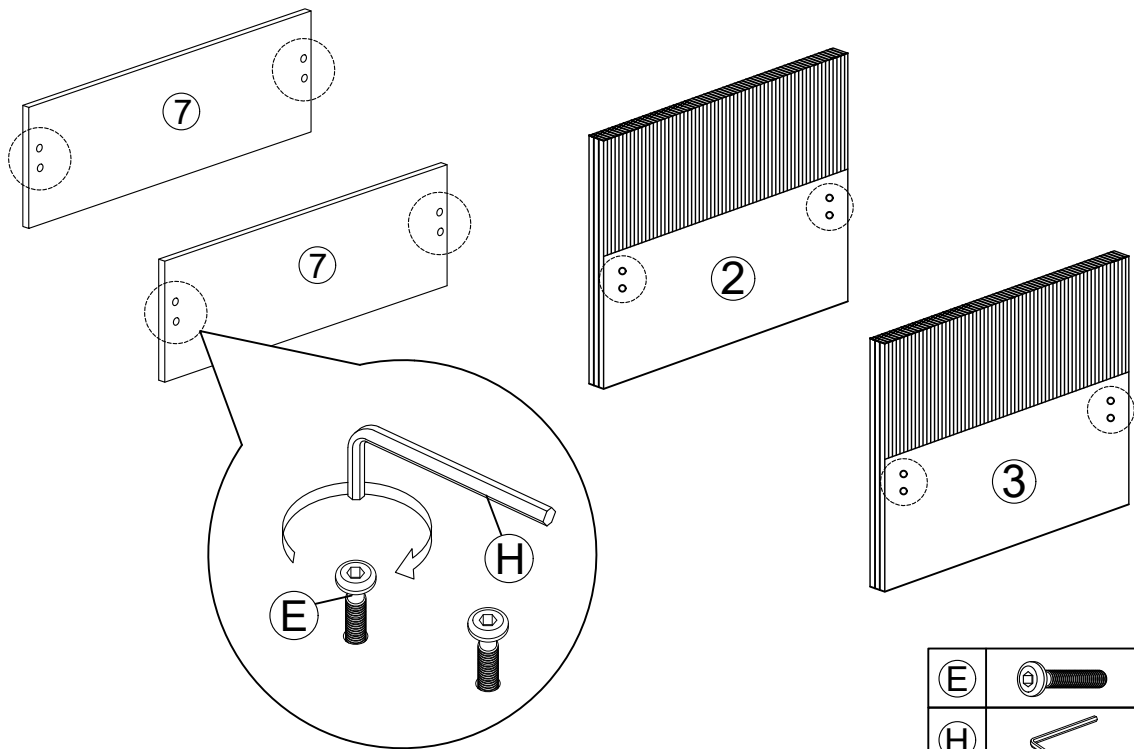
Part List (WF303275)

| No | OUTLOOK | DESC | QTY |
|-----|---|-------------------|-----|
| (A) |  | M4x25mm Screw | 24 |
| (B) |  | M4x45mm Screw | 24 |
| (C) |  | M4x16mm Screw | 32 |
| (D) |  | JCBC M6x30mm | 6 |
| (E) |  | JCBB M8x20mm | 16 |
| (F) |  | Dowel 8x25 | 16 |
| (G) |  | L Key M4 | 1 |
| (H) |  | L Key M5 | 1 |
| (I) |  | Flat Washer M6x19 | 6 |
| (J) |  | Caster | 8 |
| (K) |  | Plastic Leg (1") | 4 |

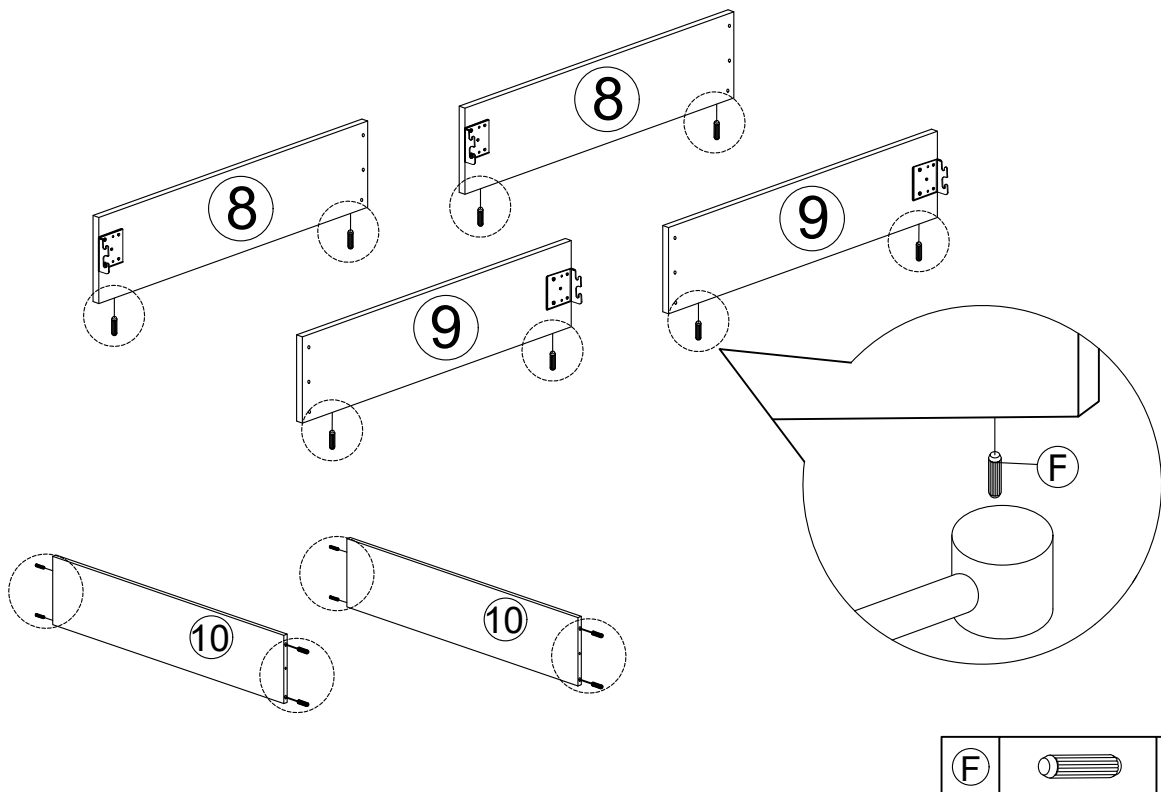
ASSEMBLY TOOLS REQUIRED (NOT INCLUDED)



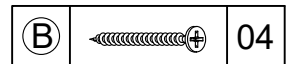
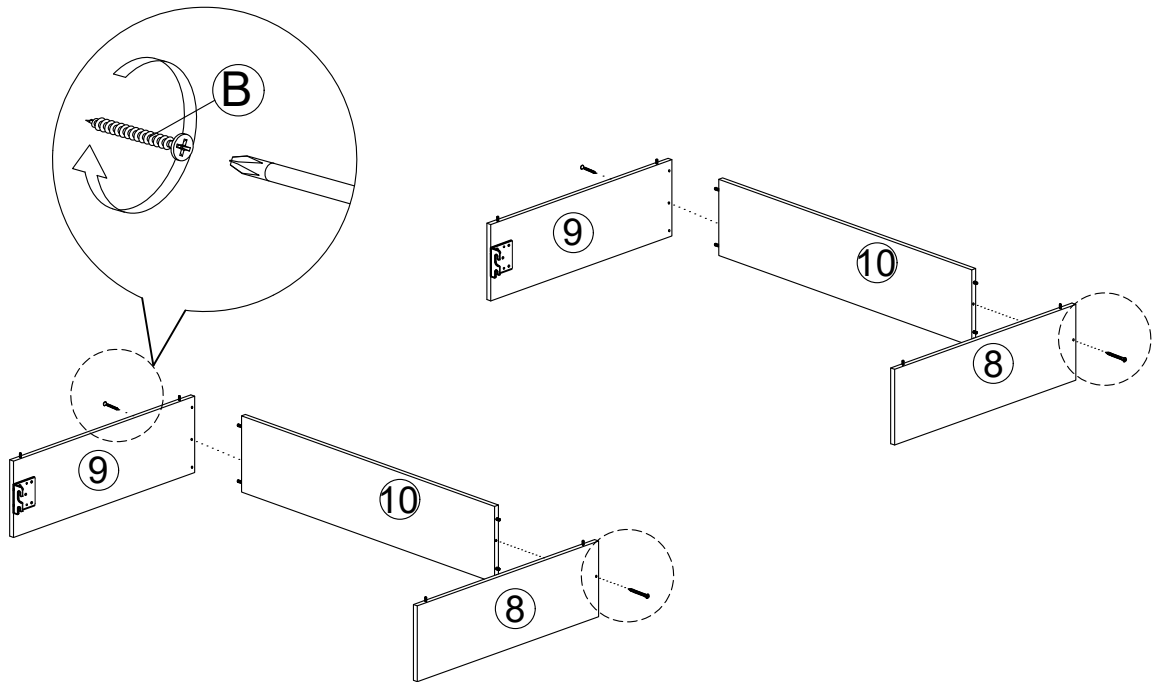
STEP 1 :



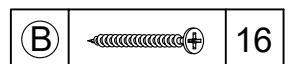
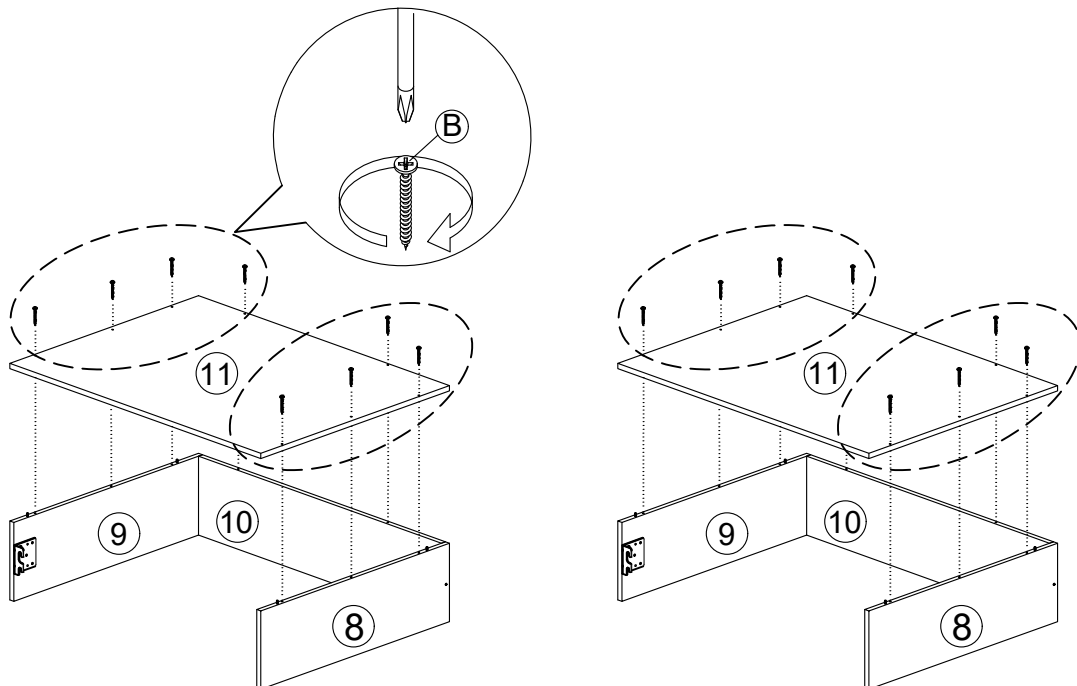
STEP 2 :



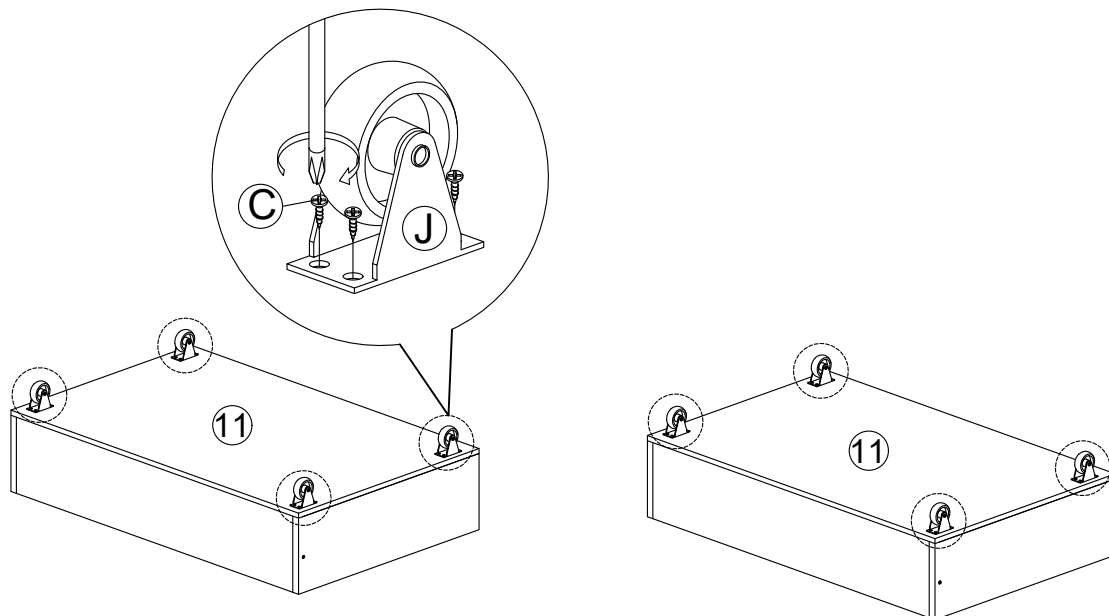
STEP 3 :

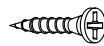



STEP 4 :

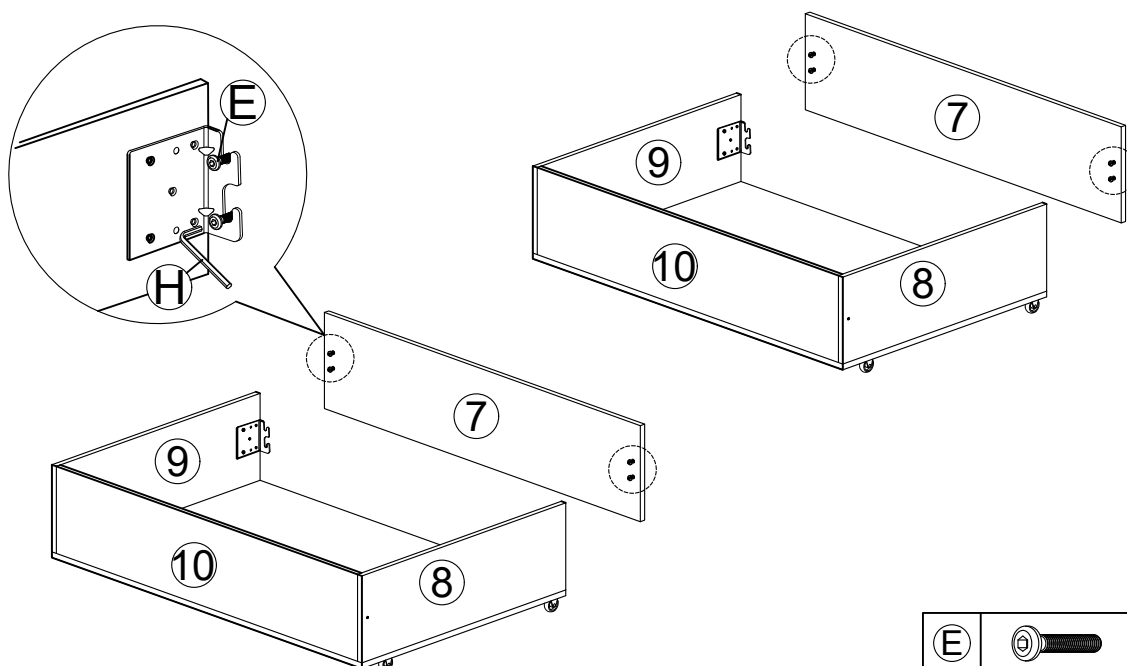




STEP 5 :






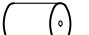
| | | |
|---|---|----|
| C |  | 32 |
| J |  | 08 |

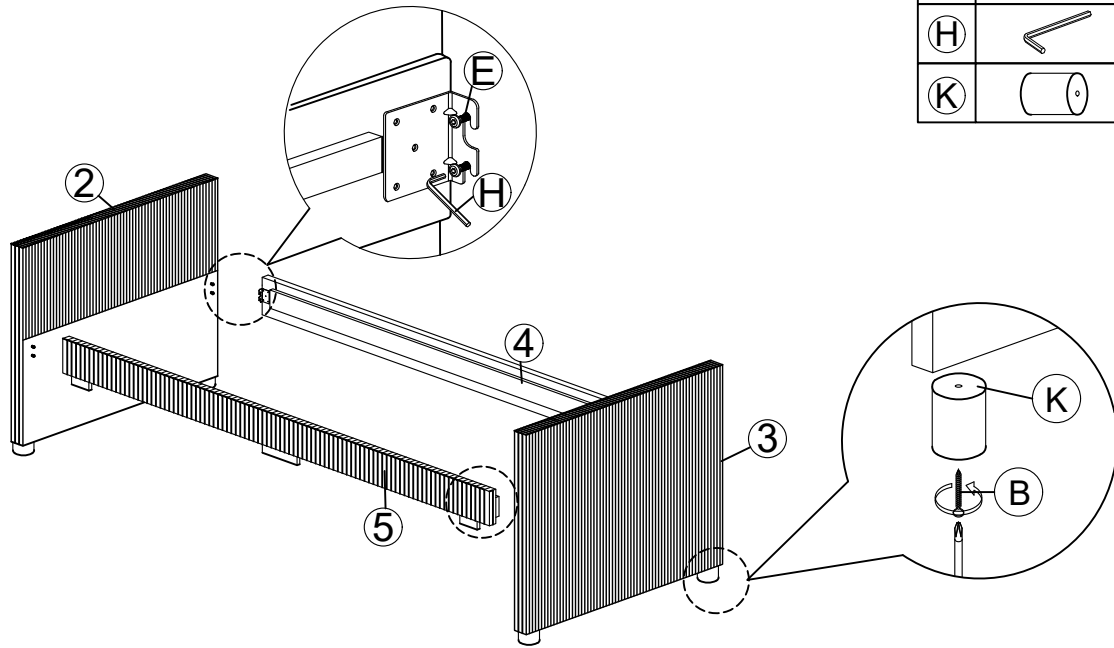
STEP 6 :






| | | |
|---|---|----|
| E |  | 08 |
| H |  | 01 |

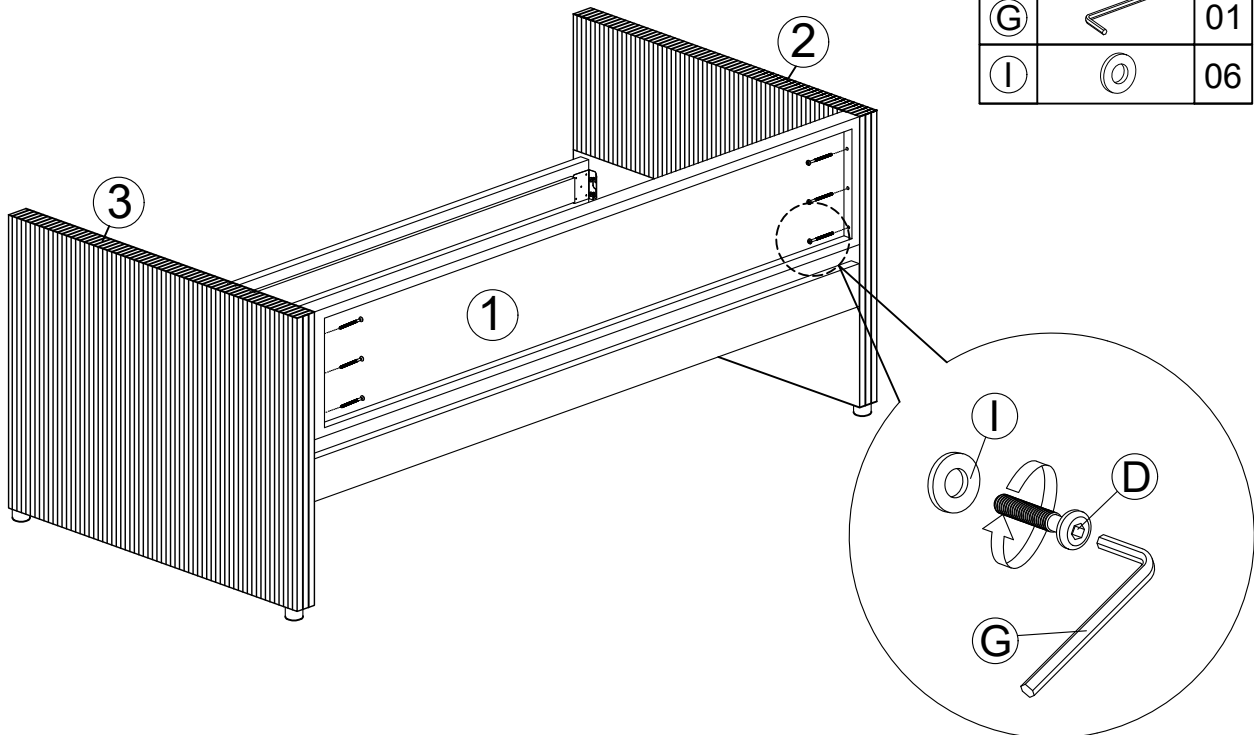
STEP 7 :

| | | |
|-----|---|----|
| (B) |  | 04 |
| (E) |  | 08 |
| (H) |  | 01 |
| (K) |  | 04 |

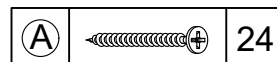
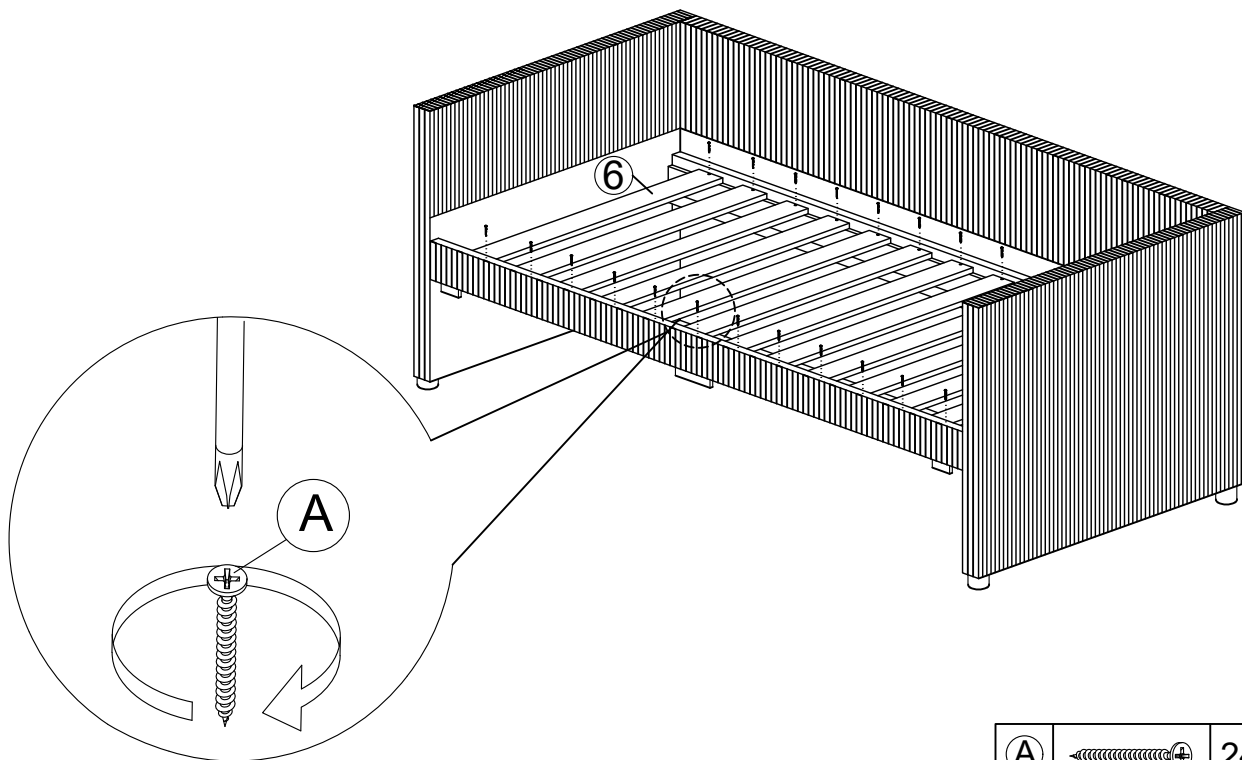


STEP 8 :

| | | |
|-----|---|----|
| (D) |  | 06 |
| (G) |  | 01 |
| (I) |  | 06 |



STEP 9 :



STEP 10 :

