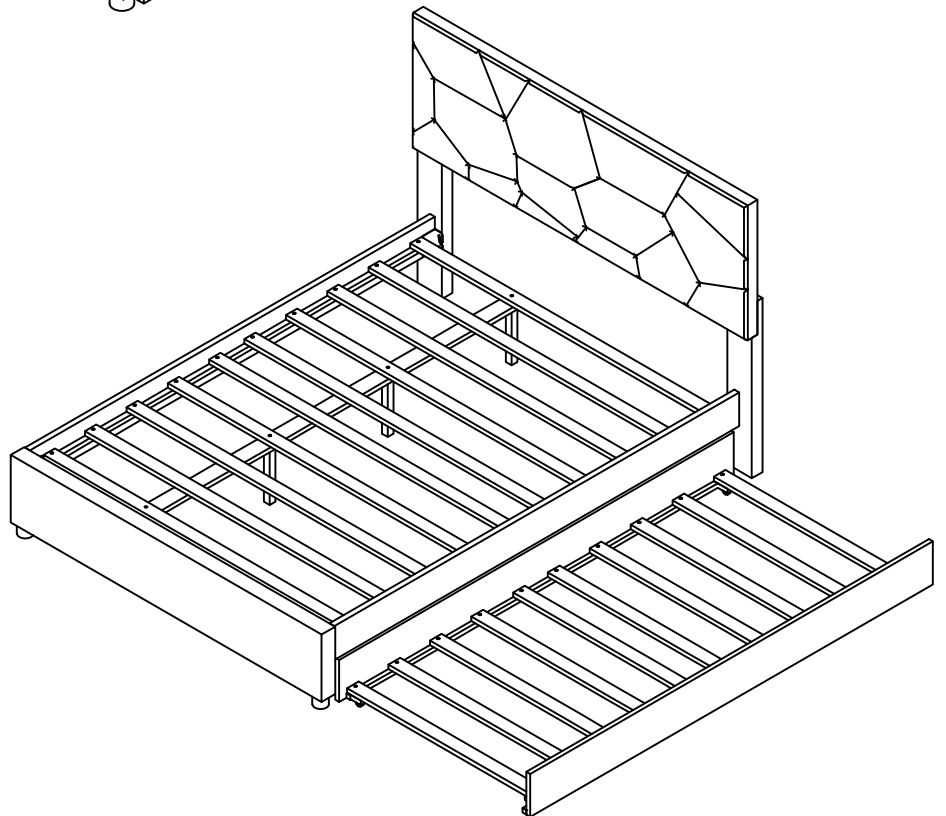
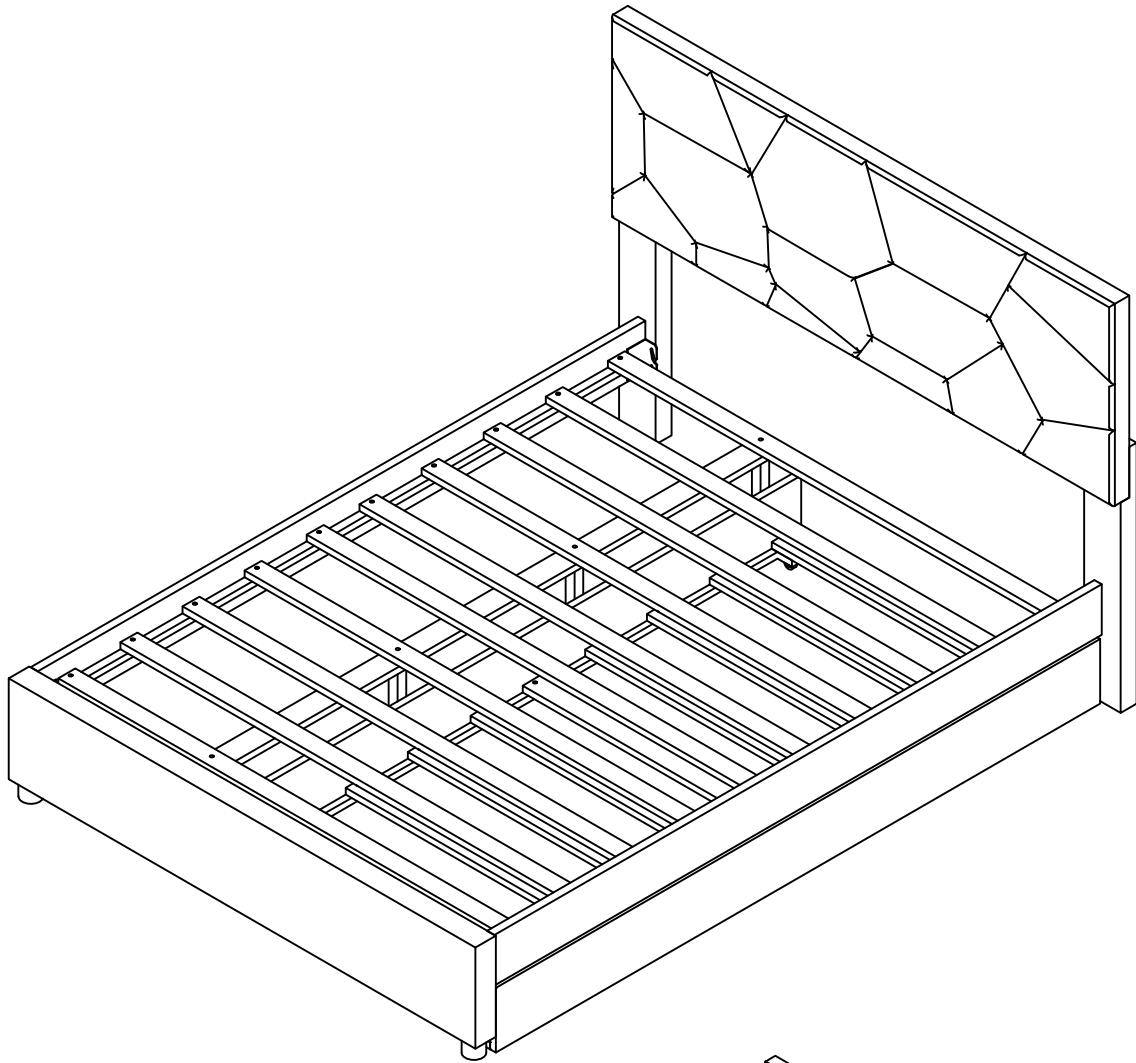
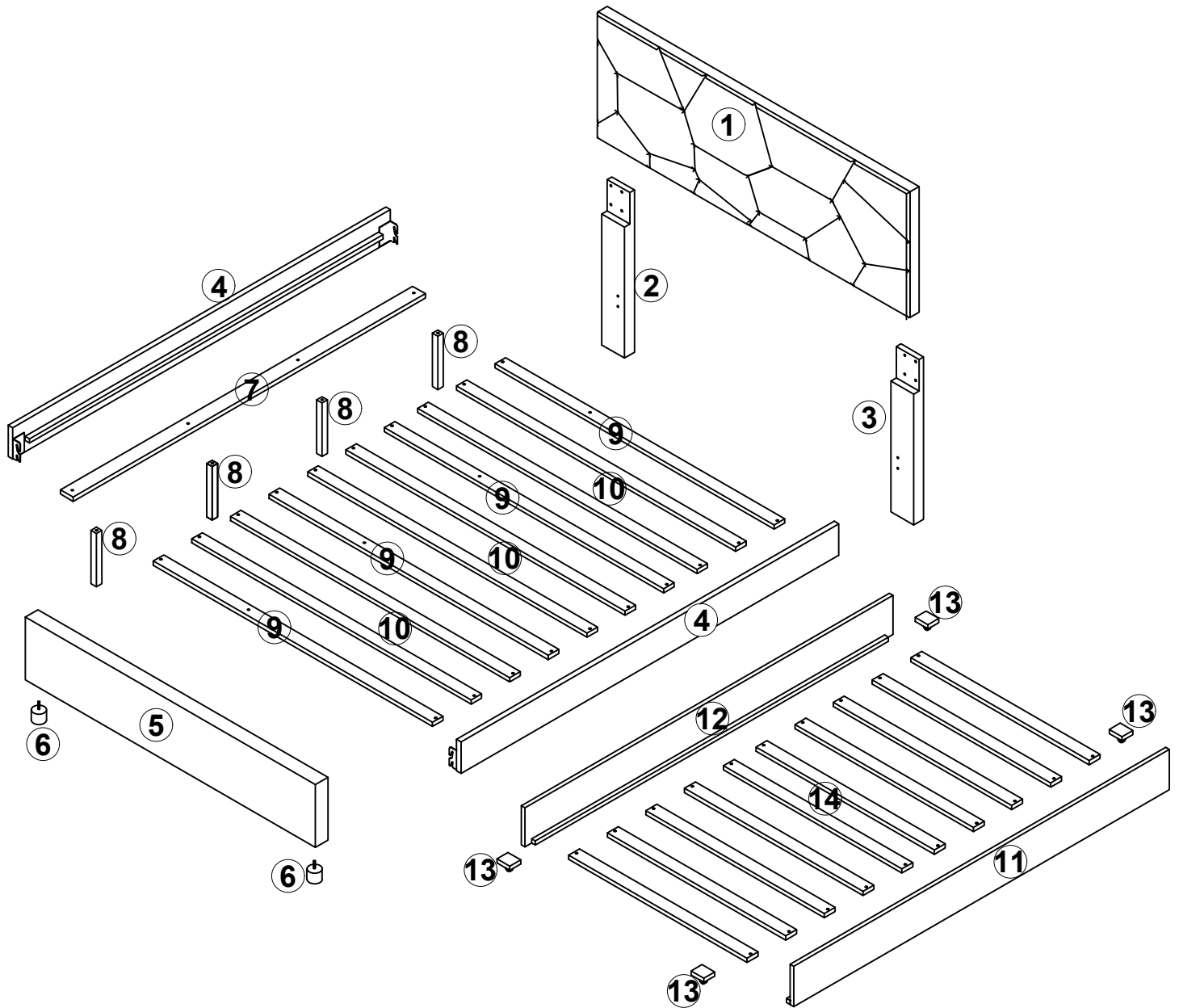


# ASSEMBLY INSTRUCTION

SKU CODE: WF303596/WF303597

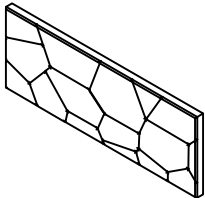


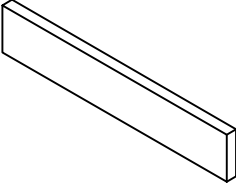

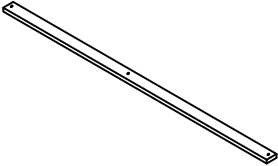
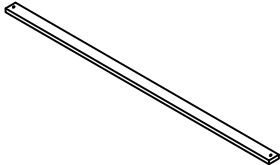

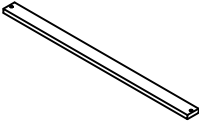


# Detail View - FULL BED WITH TRUNDLE

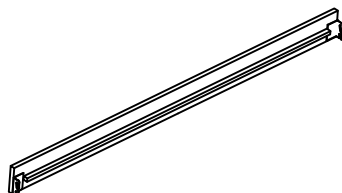
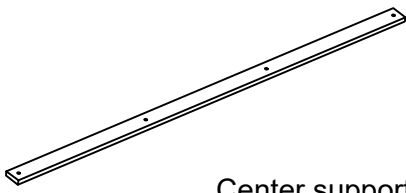

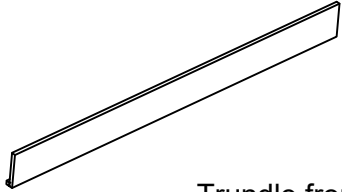
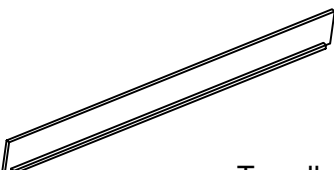


Identifying the Hardware - Identify the hardware using the illustrations below.

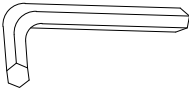
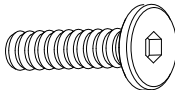
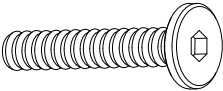


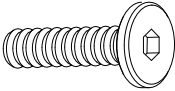


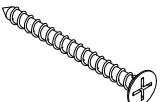
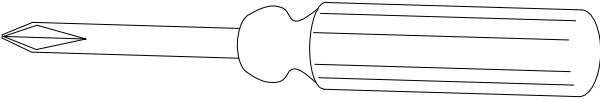
Part Lists: **WF303596**

<p><b>1</b></p>  <p>Headboard-1pc</p>	<p><b>2</b></p>  <p>Headboard left leg -1pc</p>
<p><b>3</b></p>  <p>Headboard right leg-1pc</p>	<p><b>5</b></p>  <p>Footboard - 1pc</p>
<p><b>6</b></p>  <p>Footboard leg -2pcs</p>	<p><b>9</b></p>  <p>Bed slat 1 - 4pcs</p>
<p><b>10</b></p>  <p>Bed slat 2 -6pcs</p>	<p><b>13</b></p>  <p>Wheel support -4pcs</p>
<p><b>14</b></p>  <p>Trundle slat -10pcs</p>	

Part Lists: **WF303597**

<p><b>4</b></p>  <p>Side rail - 2pcs</p>	<p><b>7</b></p>  <p>Center support bar -1pc</p>
<p><b>8</b></p>  <p>Center support leg - 4pcs</p>	<p><b>11</b></p>  <p>Trundle front panel -1pc</p>
<p><b>12</b></p>  <p>Trundle back panel -1pc</p>	

# HARDWARE LISTS: WF303596

<p><b>A</b></p>  <p>4mm Allen key (1pc)</p>	<p><b>B</b></p>  <p>Ø5/16" x 20mm Hex-head bolt (8pcs)</p>
<p><b>C</b></p>  <p>Ø5/16" x 40mm Hex-head bolt (4pcs)</p>	<p><b>D</b></p>  <p>Ø5/16" Spring washer (12pcs)</p>
<p><b>E</b></p>  <p>Ø5/16" Flat washer(12pcs)</p>	<p><b>F</b></p>  <p>Ø1/4" x 45mm Hex-head bolt (4pcs)</p>
<p><b>G</b></p>  <p>Ø1/4" Spring washer (4pcs)</p>	<p><b>H</b></p>  <p>Ø1/4" Flat washer(4pcs)</p>
<p><b>I</b></p>  <p>Ø4 x 30mm Wood screw (48pcs)</p>	
 <p>ASSEMBLY TOOLS REQUIRED ( NOT INCLUDED )</p>	



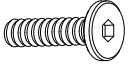
Read this instruction carefully. See hardware and furniture part list for guidance. Be sure all parts are complete, before you assemble. Place all wooden furniture parts on a clean and flat soft surface to prevent from being scratched. Follow the figure to start assembling.

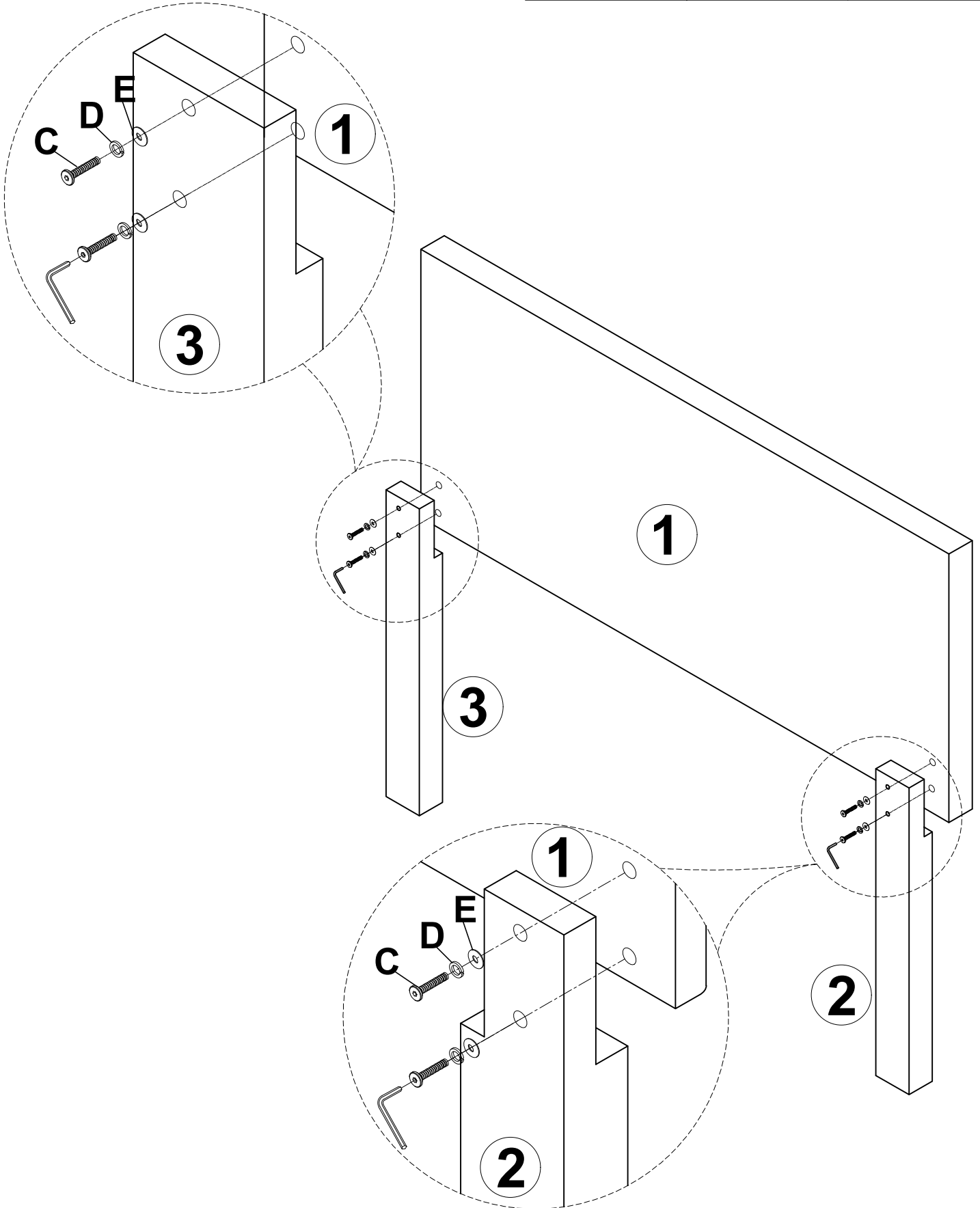
**CAUTIONS :**

1. Do not FULLY - TIGHTEN the nut or nut bolt until all nut or bolt is ready assembled.
2. Do not OVER - TIGHTEN the nut or bolt to avoid causing damages to the thread.
3. Keep all hardware parts out of reach of children.

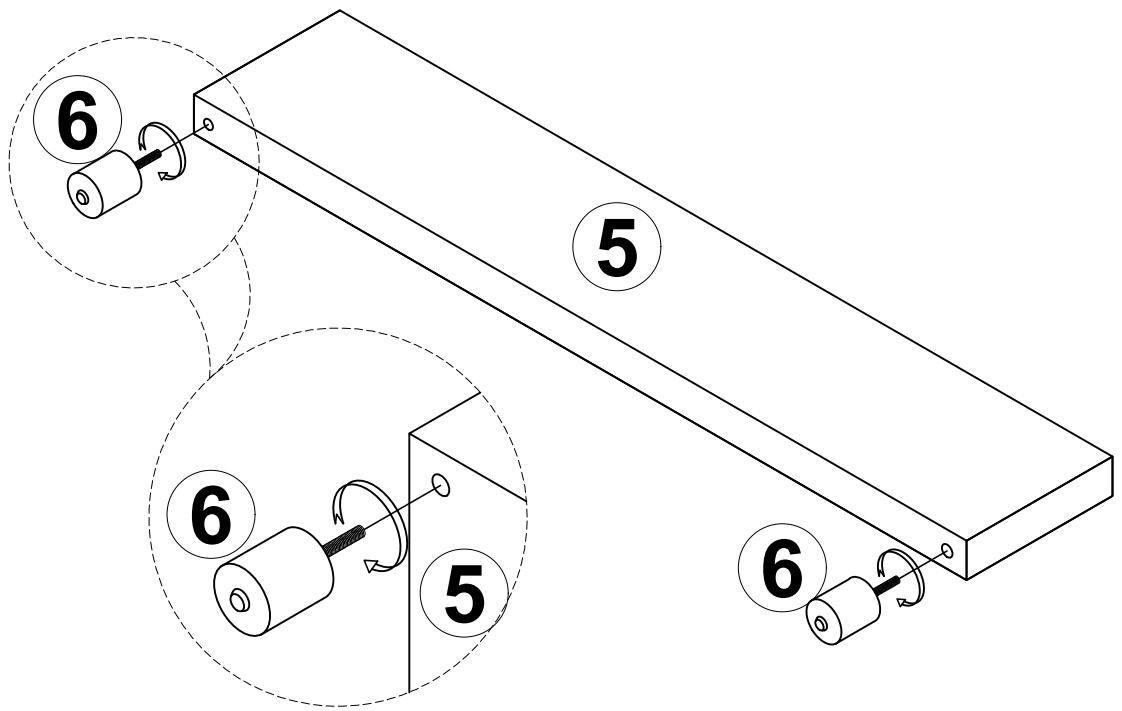
**NOTE : THE LIST AND QUANTITY SHOWN ARE FOR 1 UNIT ASSEMBLY.**

# STEP 1



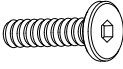
<b>E</b>		<b>D</b>		<b>C</b>	
<b>4PCS</b>		<b>4PCS</b>		<b>4PCS</b>	

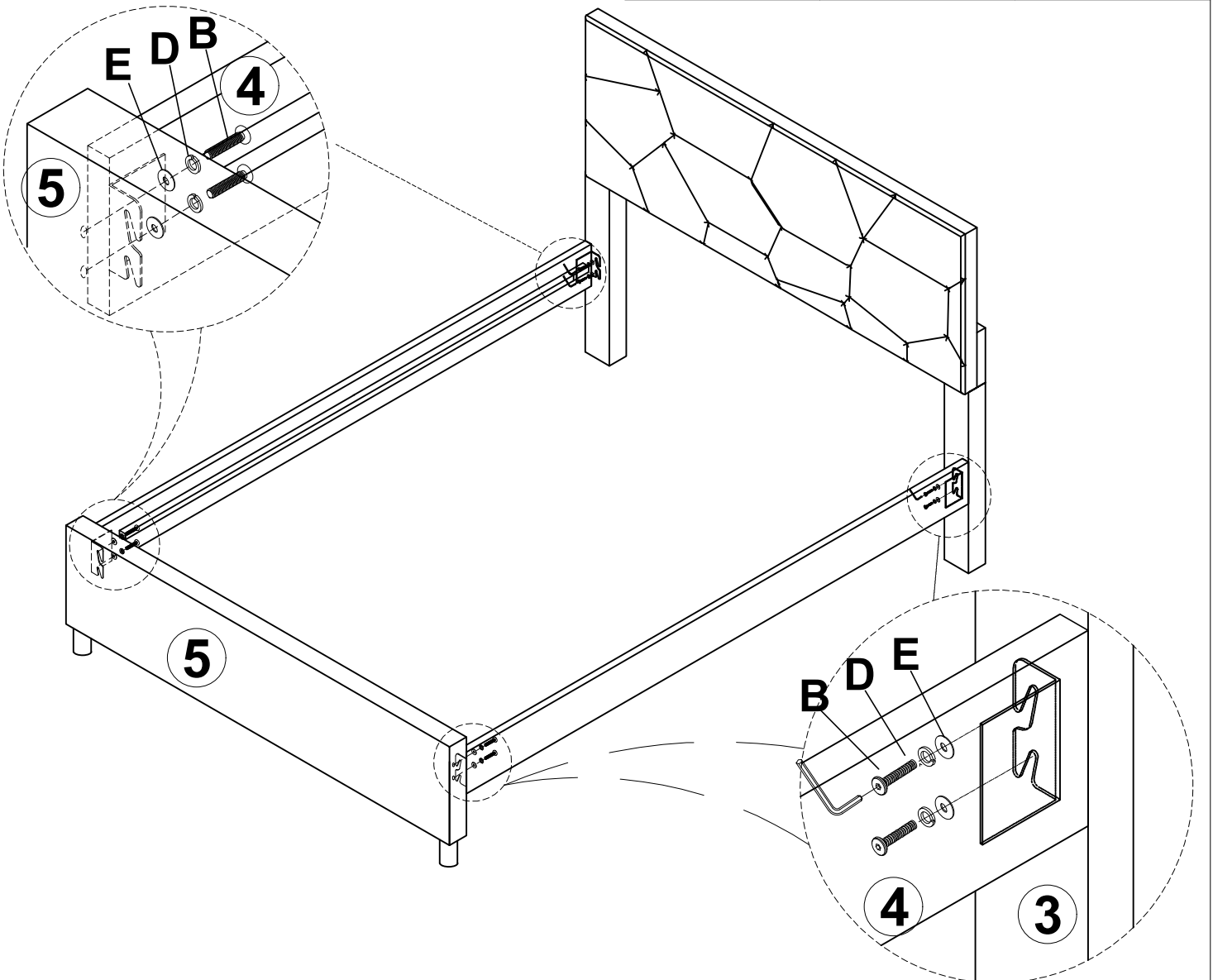


**STEP 2**



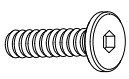


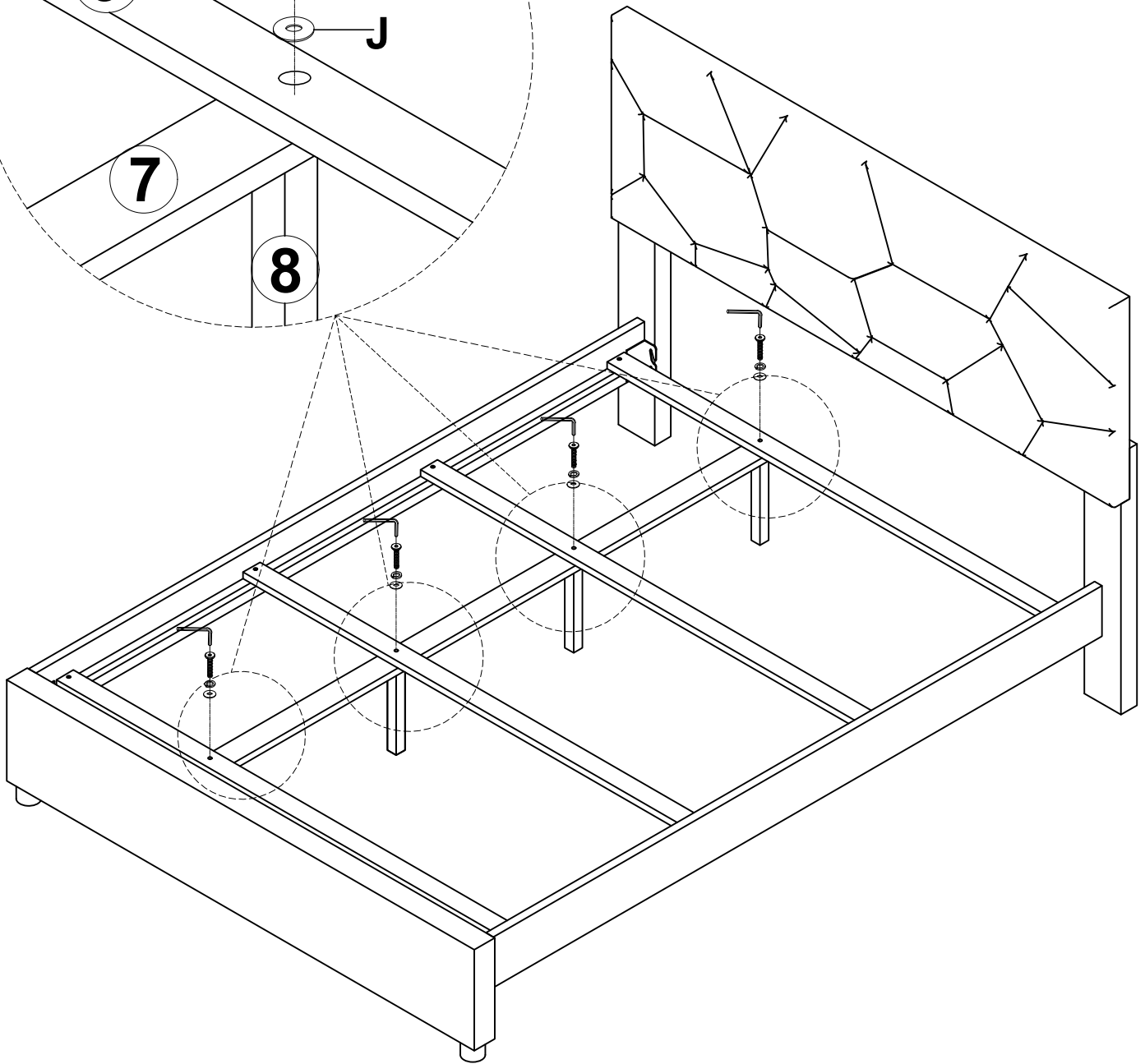
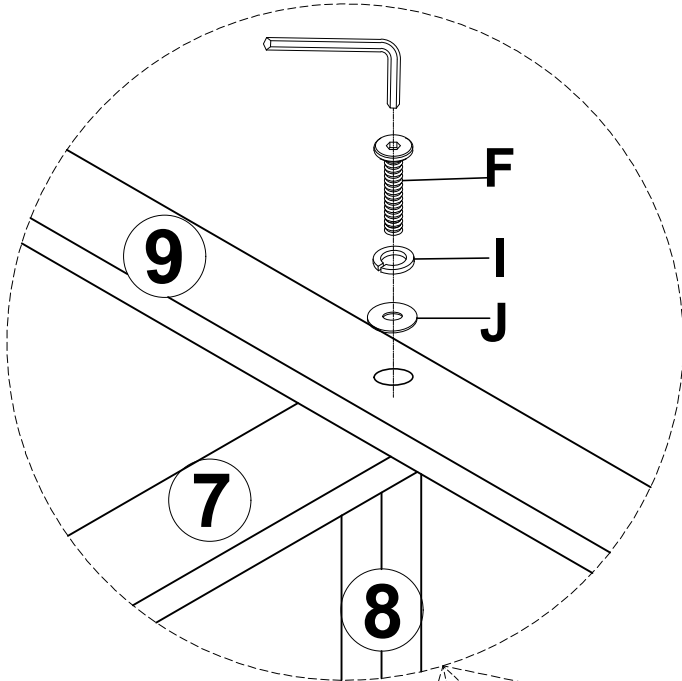
**STEP 3**

<b>E</b>		<b>D</b>		<b>B</b>	
<b>8PCS</b>		<b>8PCS</b>		<b>8PCS</b>	



# STEP 4

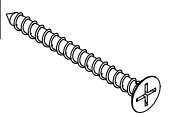
<b>J</b> 	<b>I</b> 	<b>F</b> 
<b>4PCS</b>	<b>4PCS</b>	<b>4PCS</b>



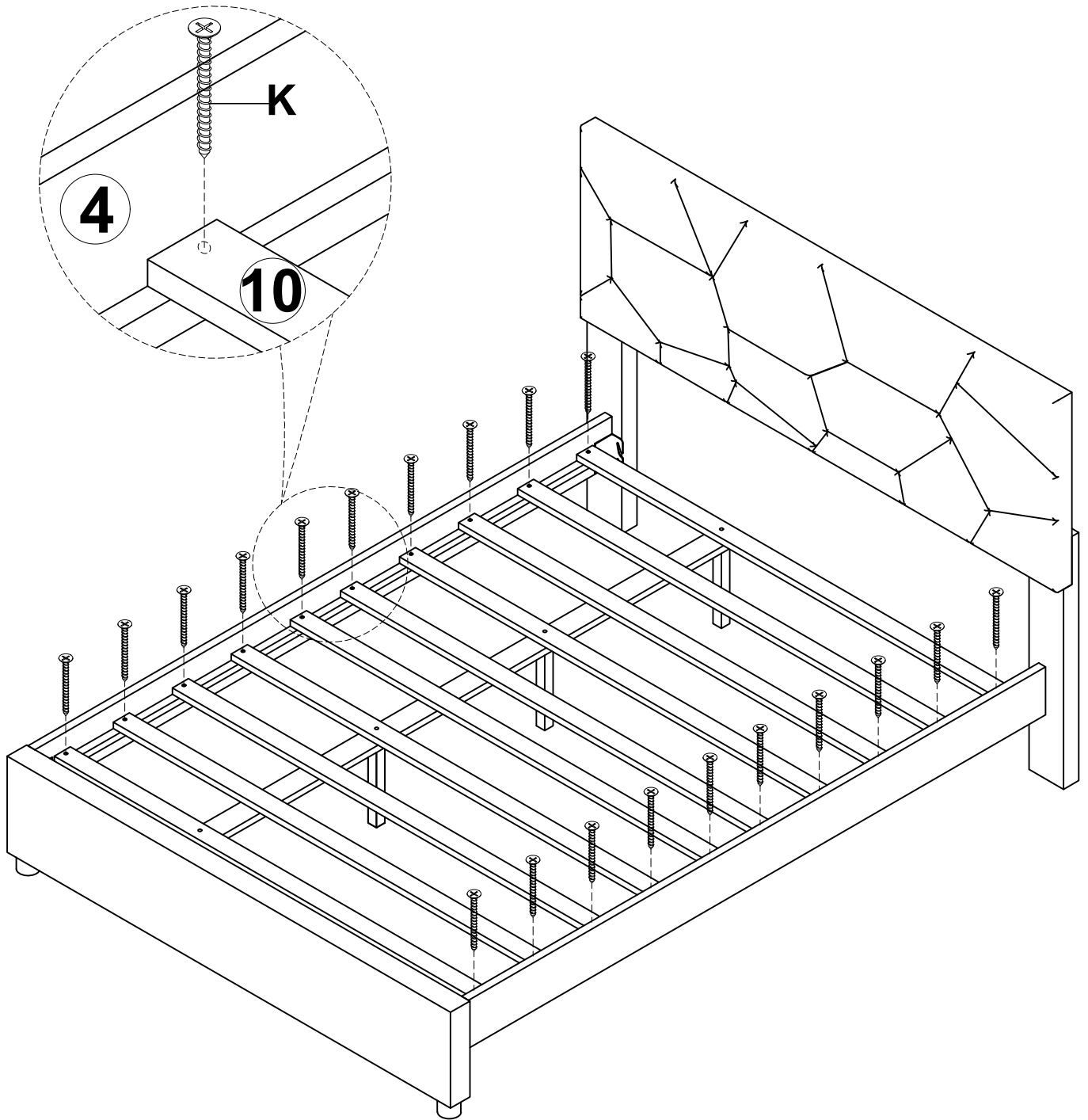


# STEP 5

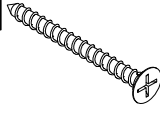
K

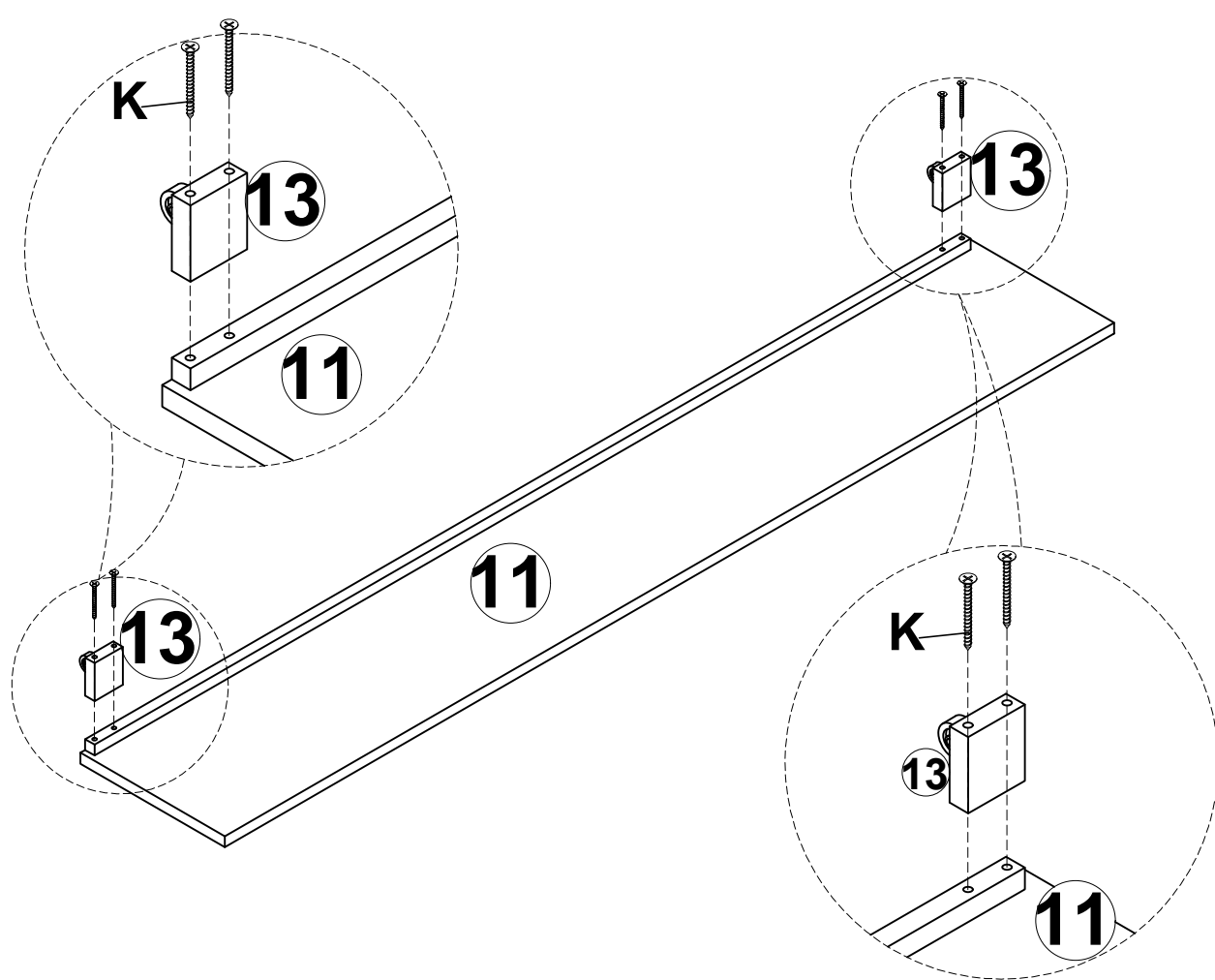
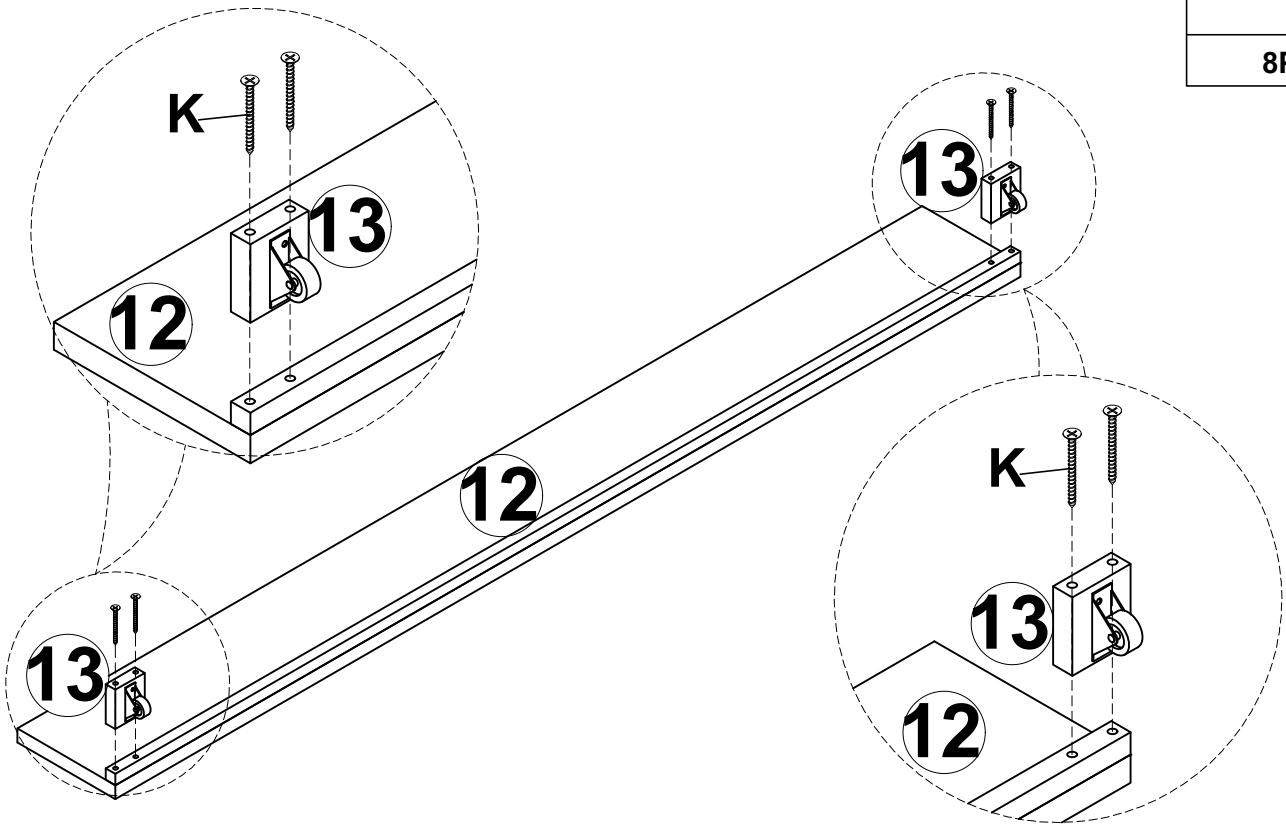


20PCS

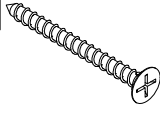


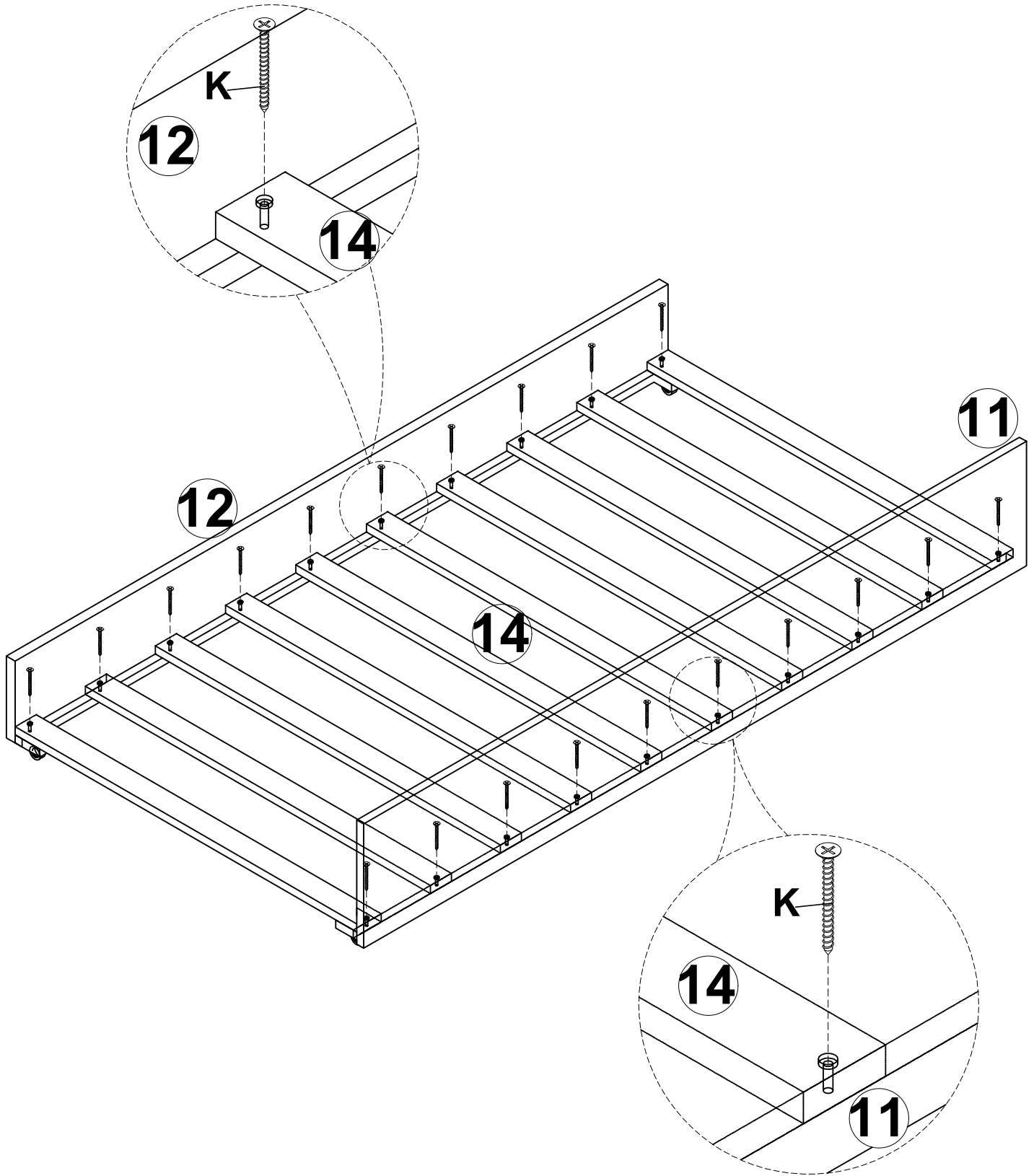
**STEP 6**

<b>K</b>	
<b>8PCS</b>	



**STEP 7**

<b>K</b> 
<b>20PCS</b>



**STEP 8**

