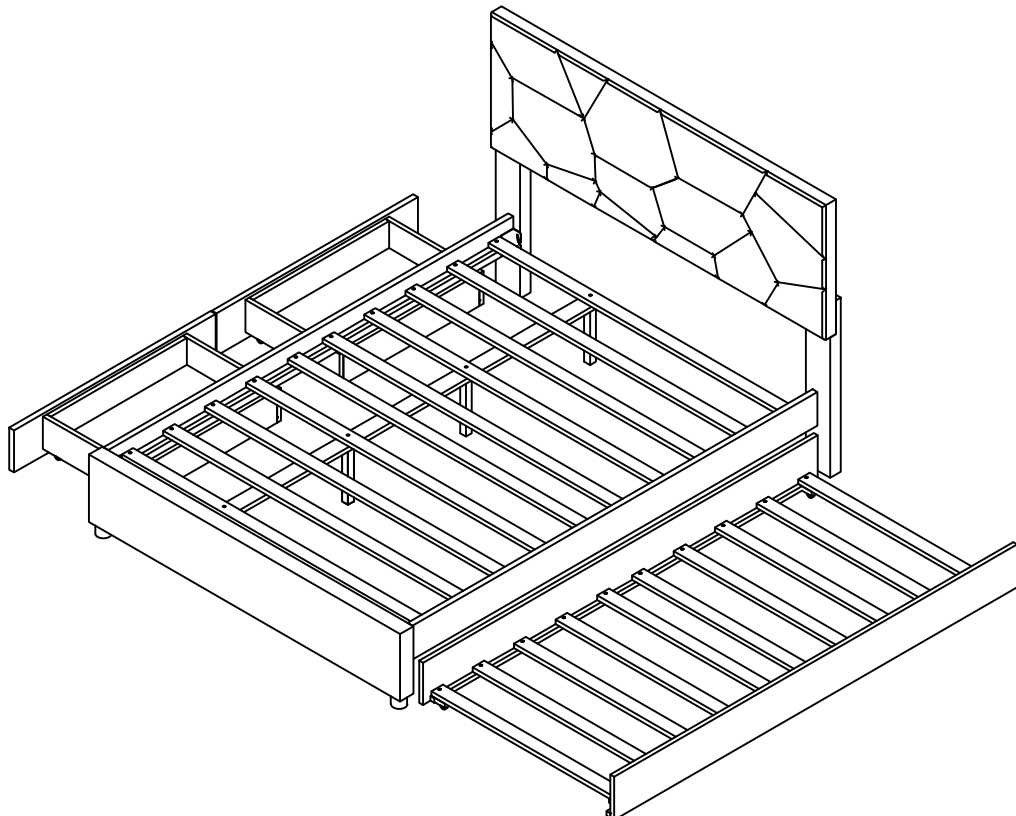
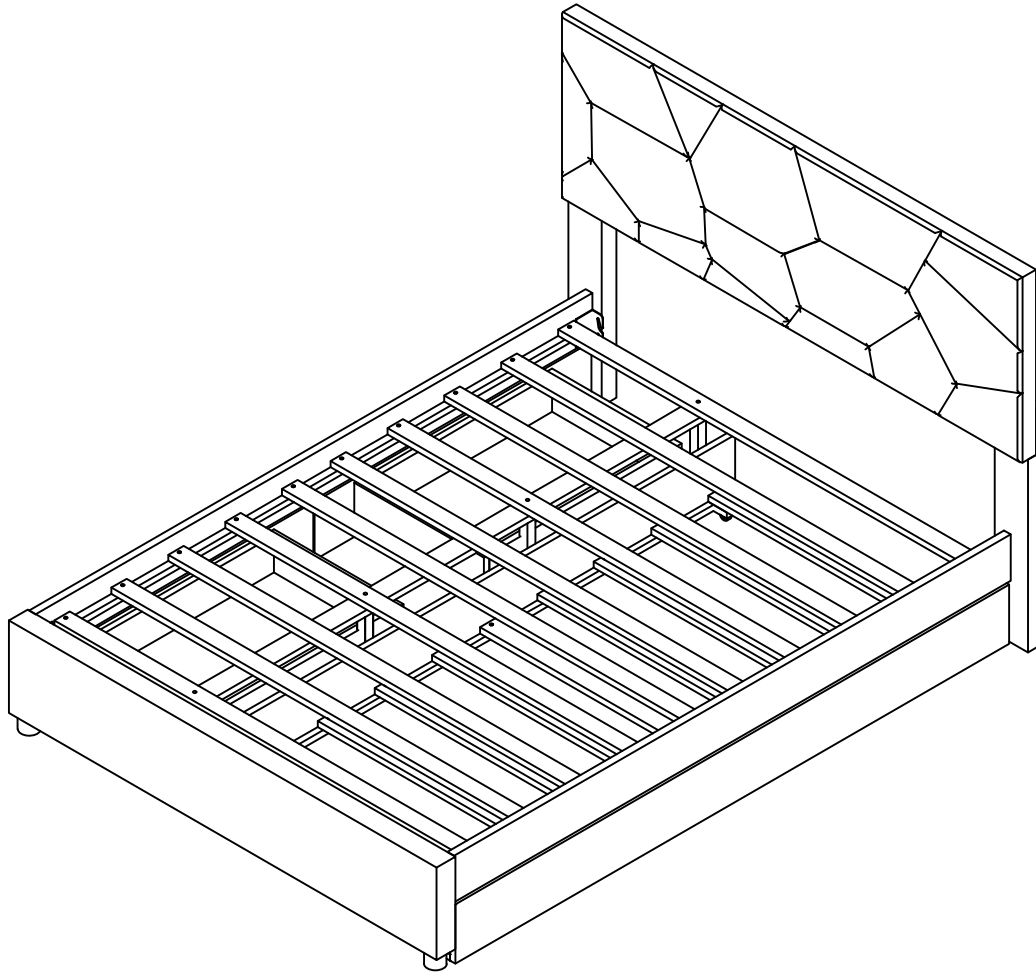
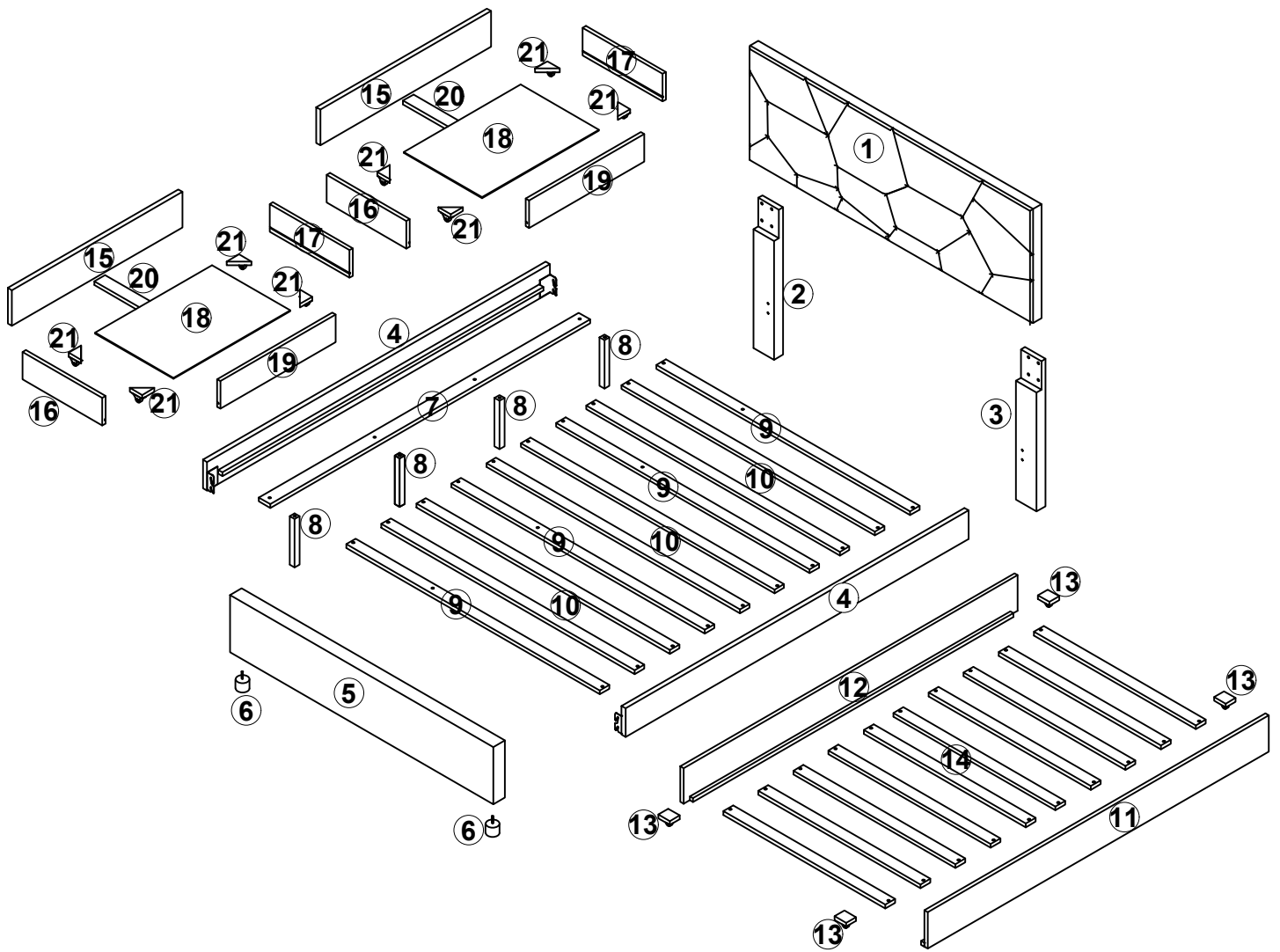


ASSEMBLY INSTRUCTION

SKU CODE: WF303605/WF303606

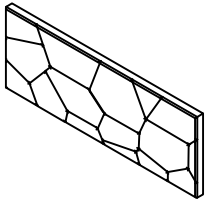


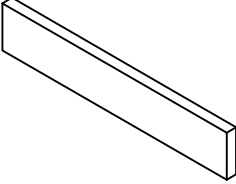

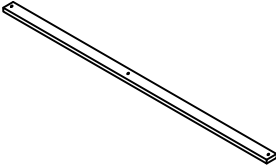
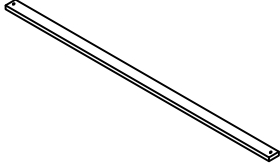

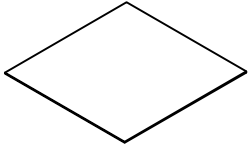

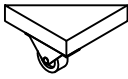


Detail View - QUEEN BED WITH TRUNDLE AND DRAWERS

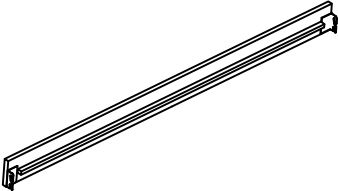
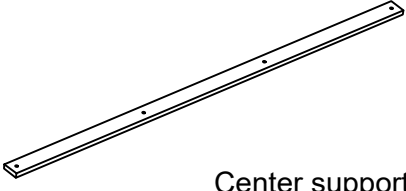

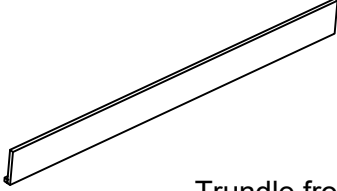
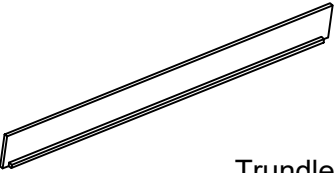
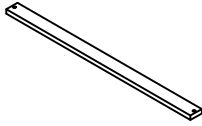
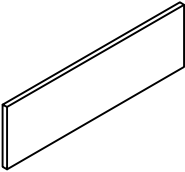

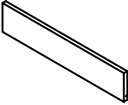
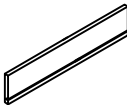


Identifying the Hardware - Identify the hardware using the illustrations below.

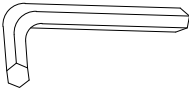
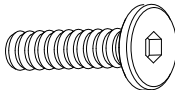
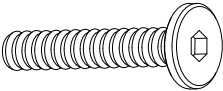


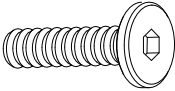

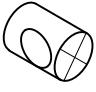


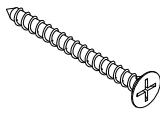
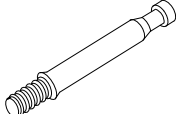

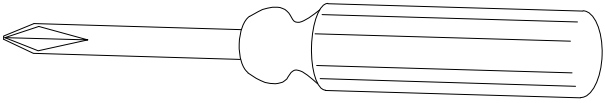
Part Lists: WF303605

1		Headboard-1pc	2		Headboard left leg -1pc
3		Headboard right leg-1pc	5		Footboard - 1pc
6		Footboard leg -2pcs	9		Bed slat 1 - 4pcs
10		Bed slat 2 -6pcs	13		Wheel support -4pcs
18		Drawer bottom -2pcs	20		Drawer bottom support bar -2pcs
21		Corner block -8pcs			

Part Lists: **WF303606**

4		7	
Side rail - 2pcs		Center support bar -1pc	
8		11	
Center support leg - 4pcs		Trundle front panel -1pc	
12		14	
Trundle back panel -1pc		Trundle slat -10pcs	
15		16	
Drawer front -2pcs		Drawer side right -2pcs	
17		19	
Drawer side left -2pcs		Drawer back -2pcs	

HARDWARE LISTS: WF303605

A  4mm Allen key (1pc)	B  Ø5/16" x 20mm Hex-head bolt (8pcs)
C  Ø5/16" x 40mm Hex-head bolt (4pcs)	D  Ø5/16" Spring washer (12pcs)
E  Ø5/16" Flat washer(12pcs)	F  Ø1/4" x 45mm Hex-head bolt (4pcs)
G  Ø1/4" x 50mm Hex-head bolt (8pcs)	H  Ø1/4" Barrel nut (8pcs)
I  Ø1/4" Spring washer (4pcs)	J  Ø1/4" Flat washer(4pcs)
K  Ø4 x 30mm Wood screw (72pcs)	L  Cam bolt (8pcs)
M  Cam lock(8pcs)	N
 ASSEMBLY TOOLS REQUIRED (NOT INCLUDED)	



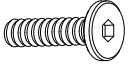
Read this instruction carefully. See hardware and furniture part list for guidance. Be sure all parts are complete, before you assemble. Place all wooden furniture parts on a clean and flat soft surface to prevent from being scratched. Follow the figure to start assembling.

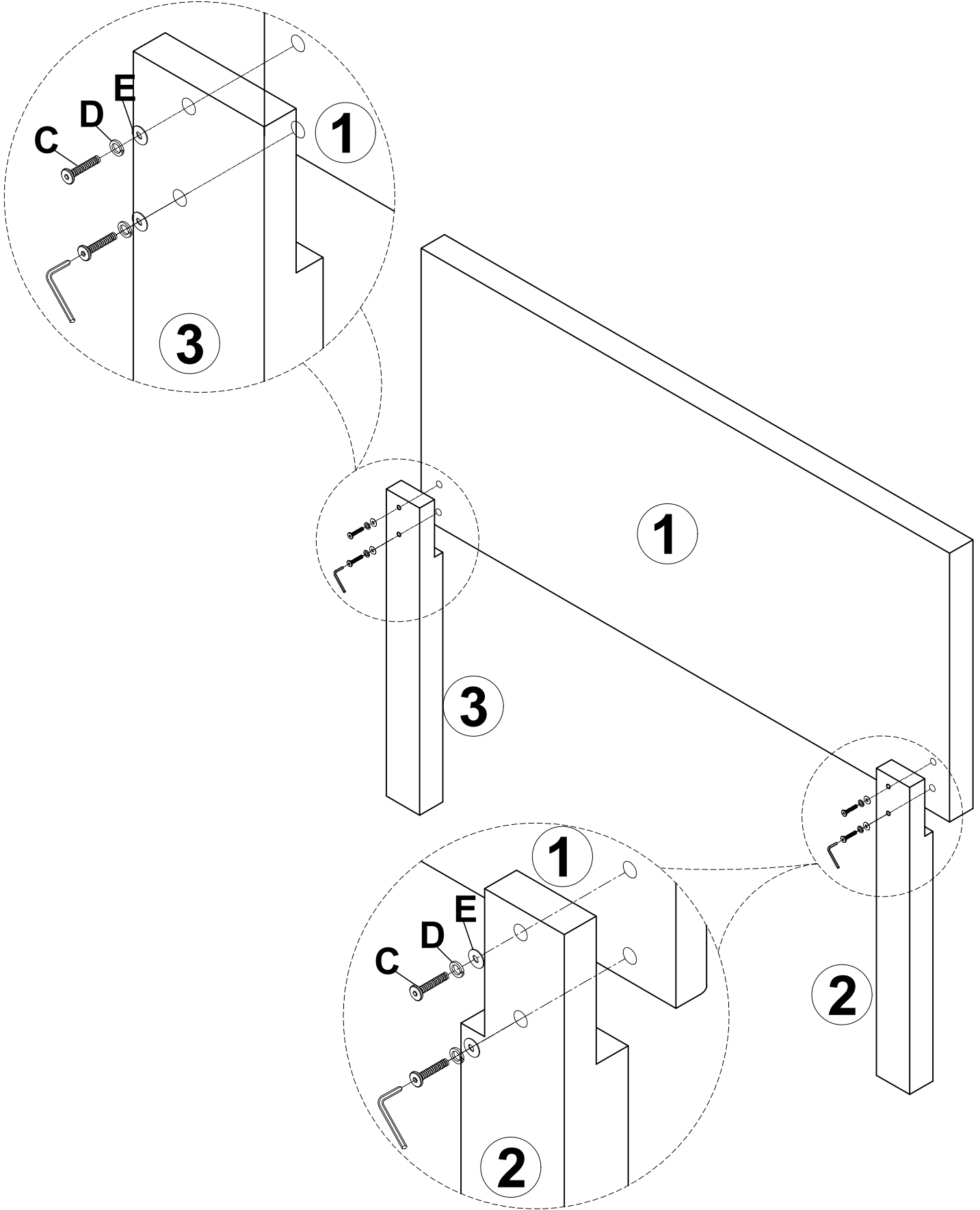
CAUTIONS :

1. Do not FULLY - TIGHTEN the nut or nut bolt until all nut or bolt is ready assembled.
2. Do not OVER - TIGHTEN the nut or bolt to avoid causing damages to the thread.
3. Keep all hardware parts out of reach of children.

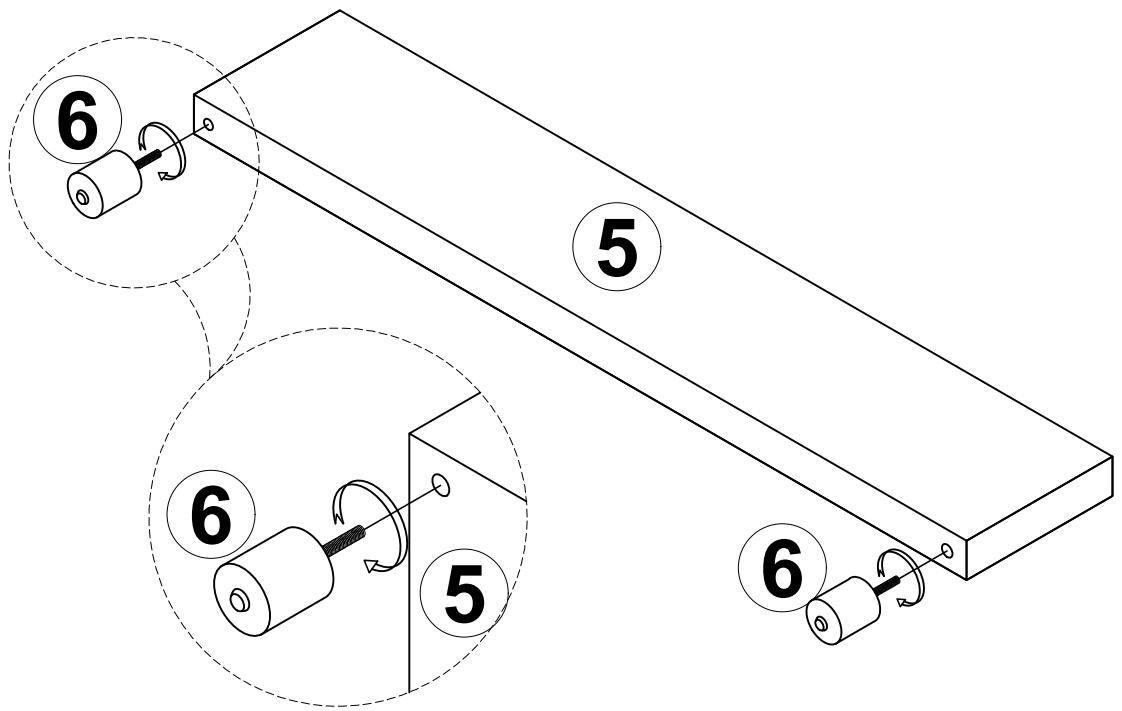
NOTE : THE LIST AND QUANTITY SHOWN ARE FOR 1 UNIT ASSEMBLY.

STEP 1



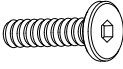
E 	D 	C 
4PCS	4PCS	4PCS

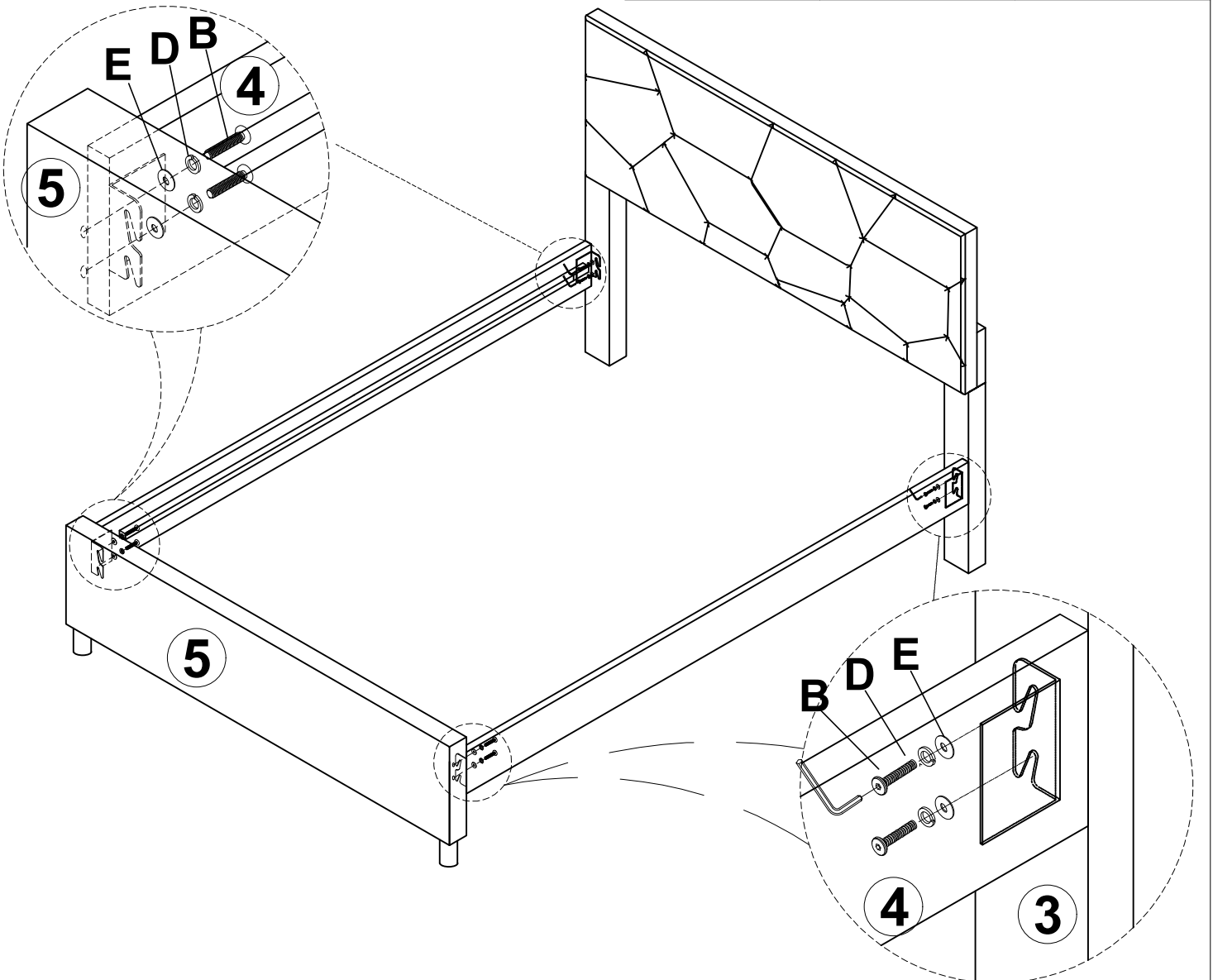


STEP 2



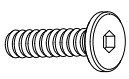


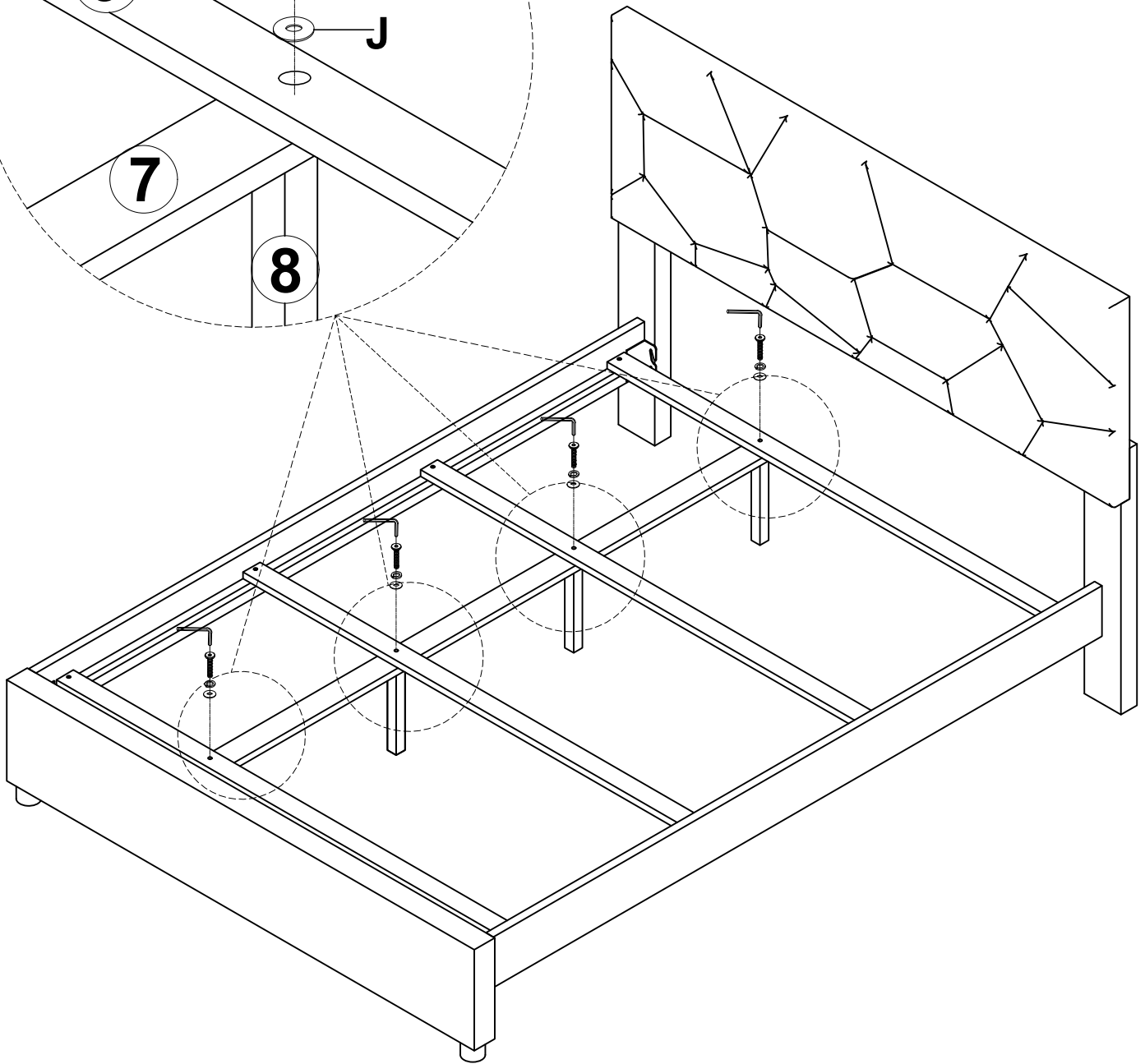
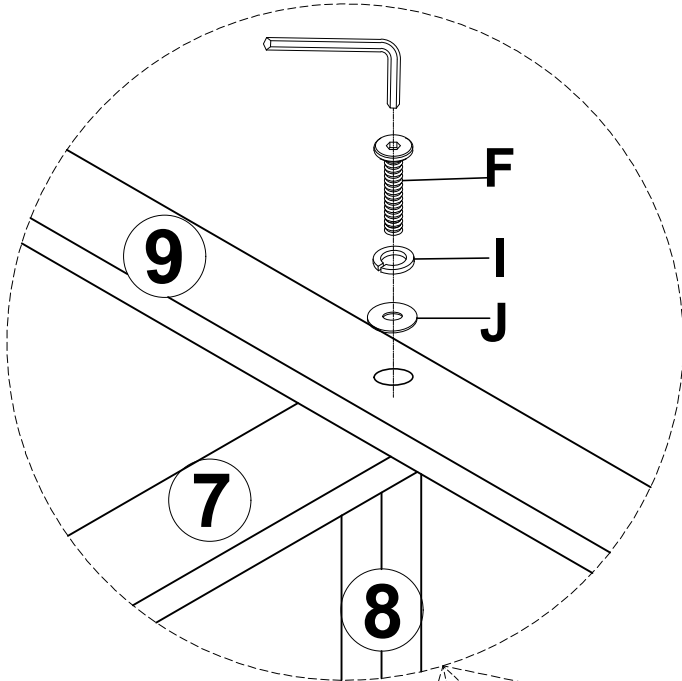
STEP 3

E		D		B	
8PCS		8PCS		8PCS	



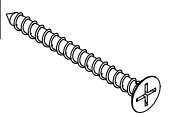
STEP 4

J 	I 	F 
4PCS	4PCS	4PCS

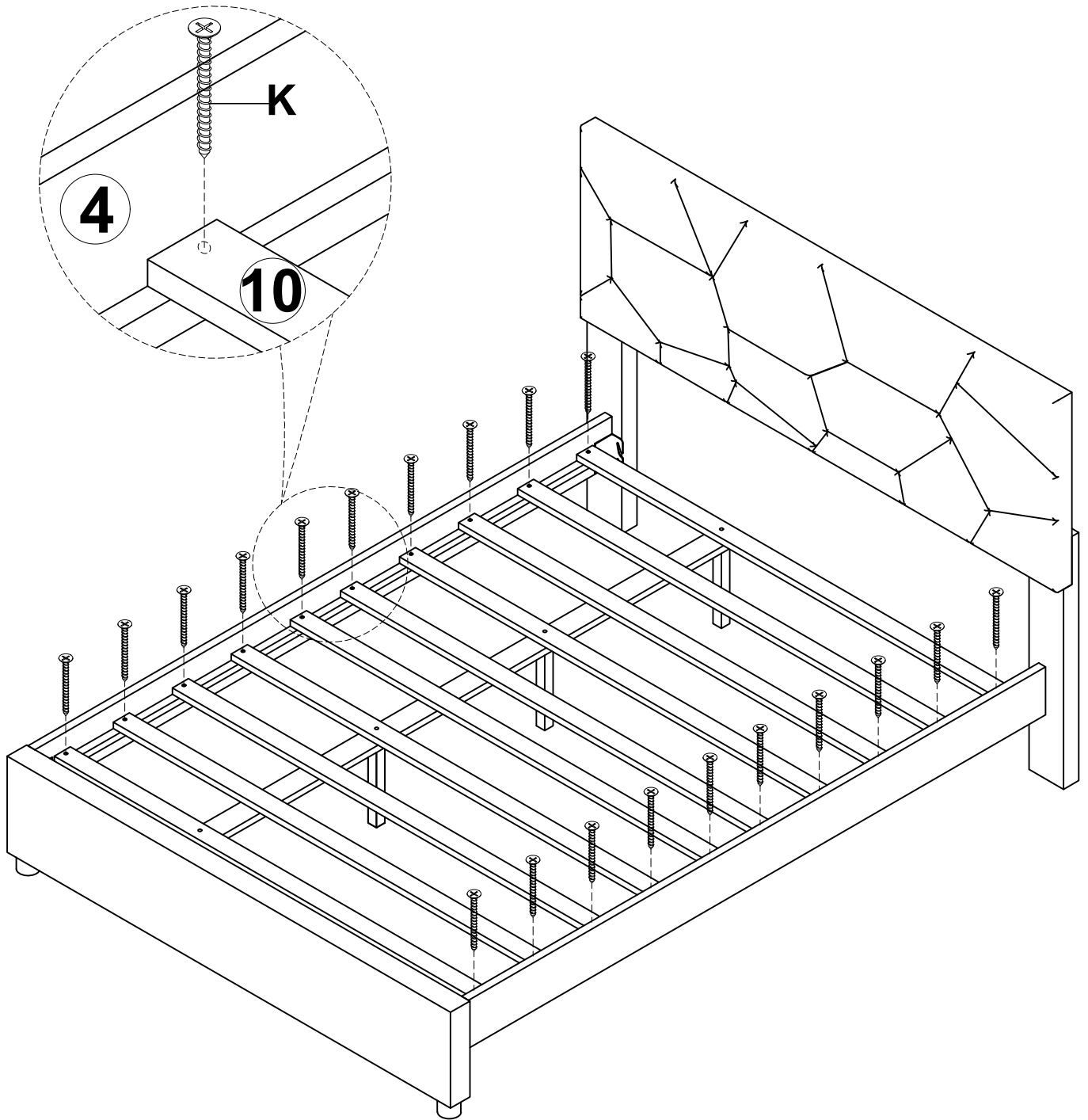


STEP 5

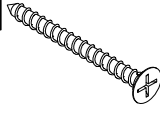
K

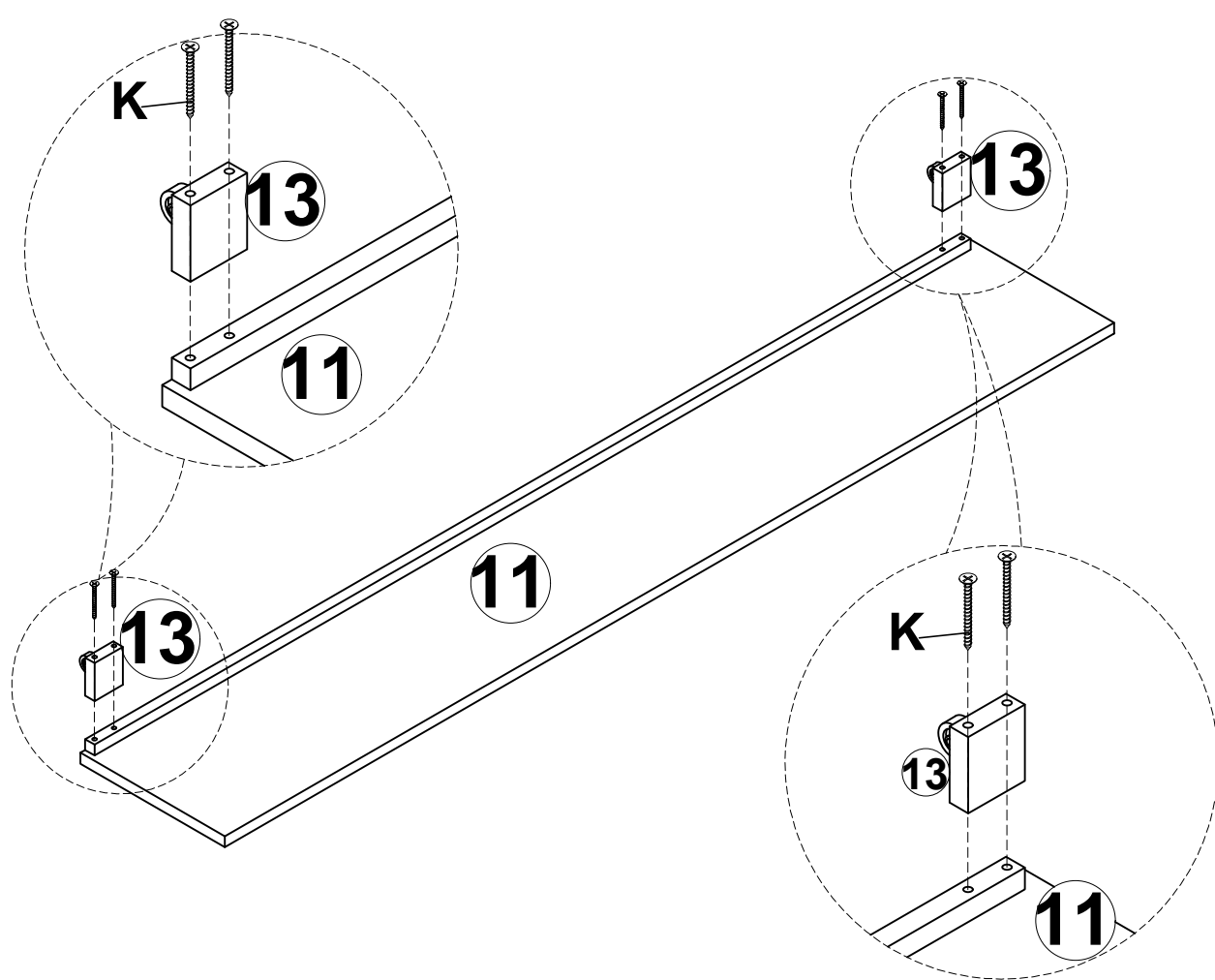
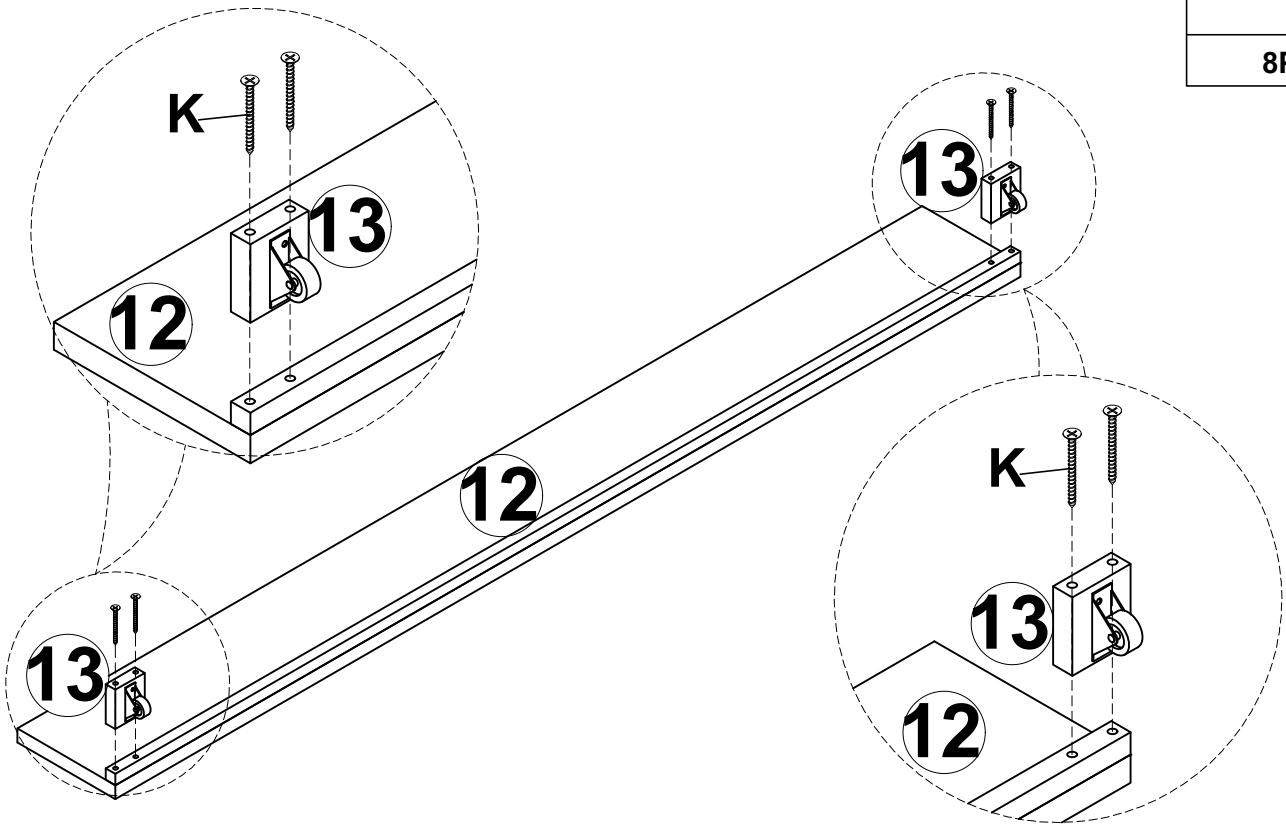


20PCS

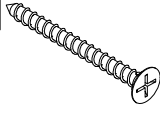


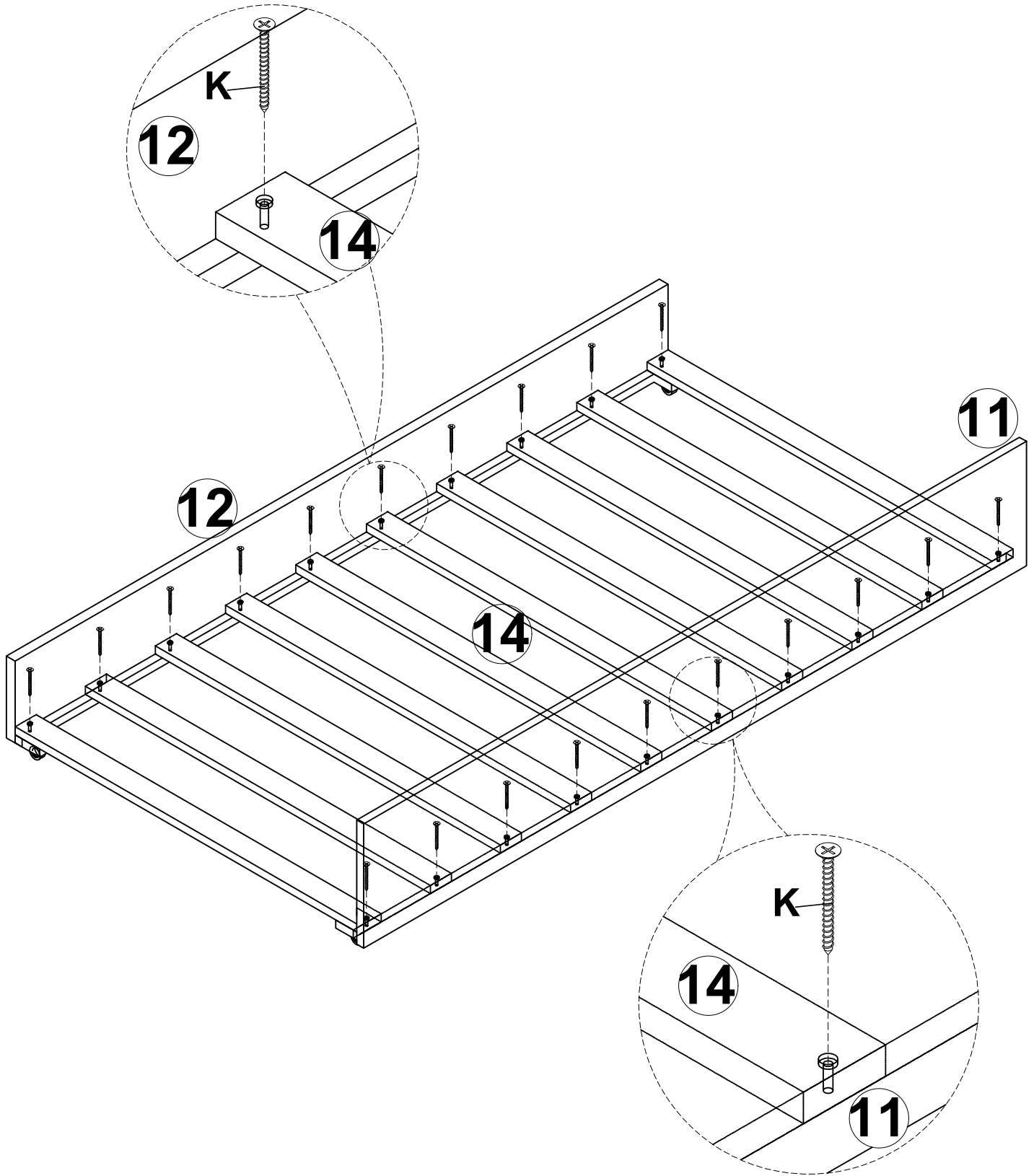
STEP 6

K	
8PCS	

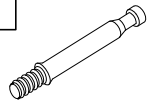


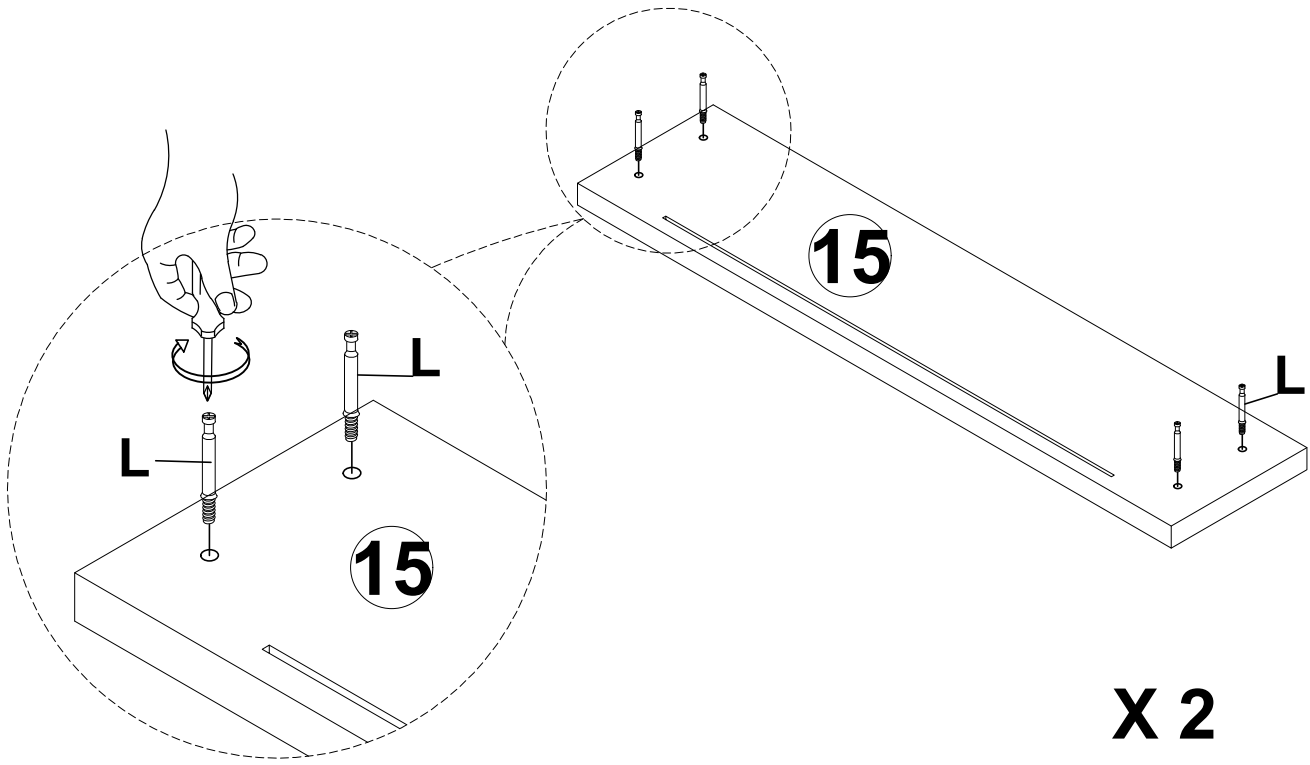
STEP 7

K	
20PCS	




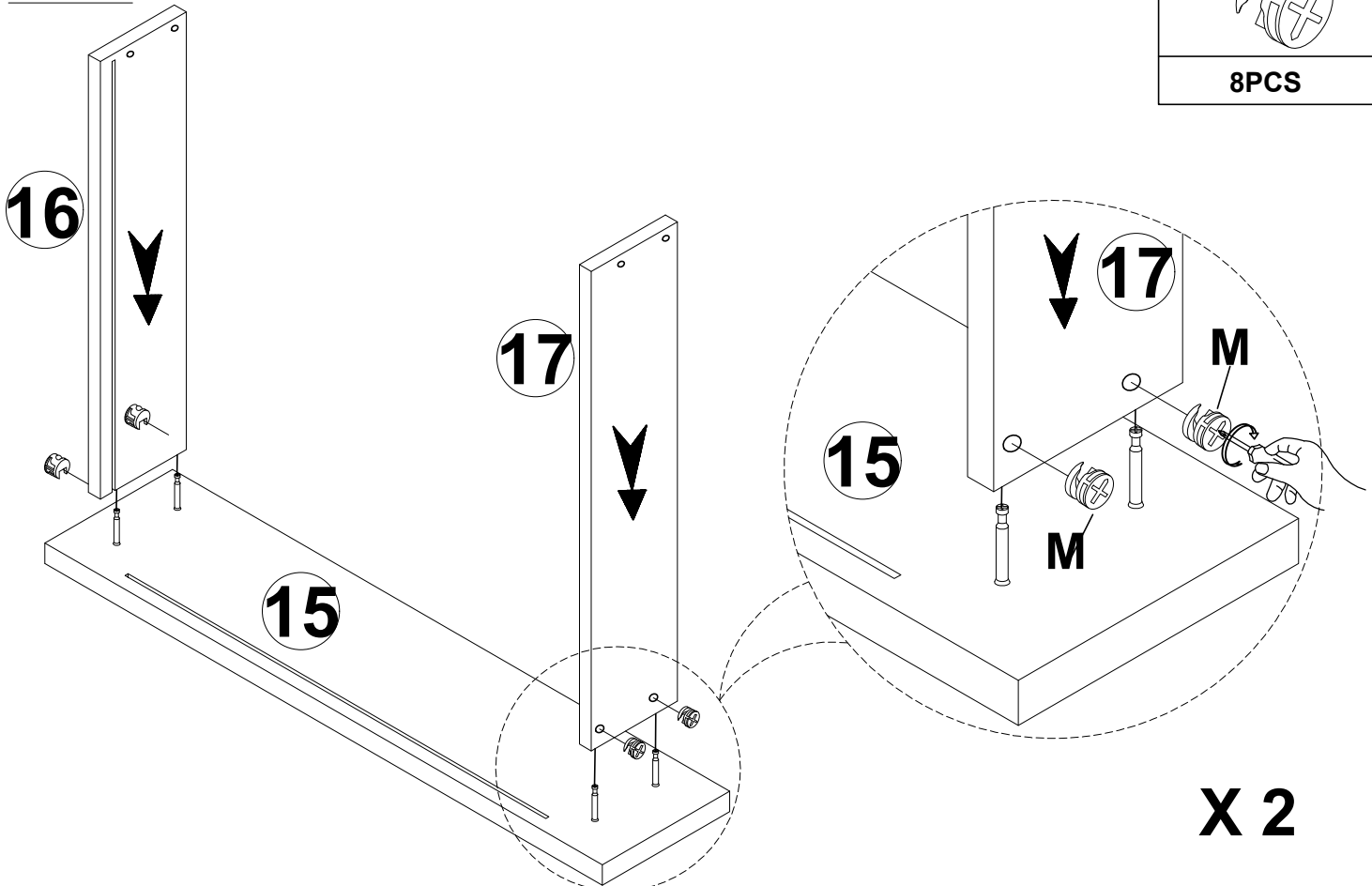
STEP 8

L	
8PCS	

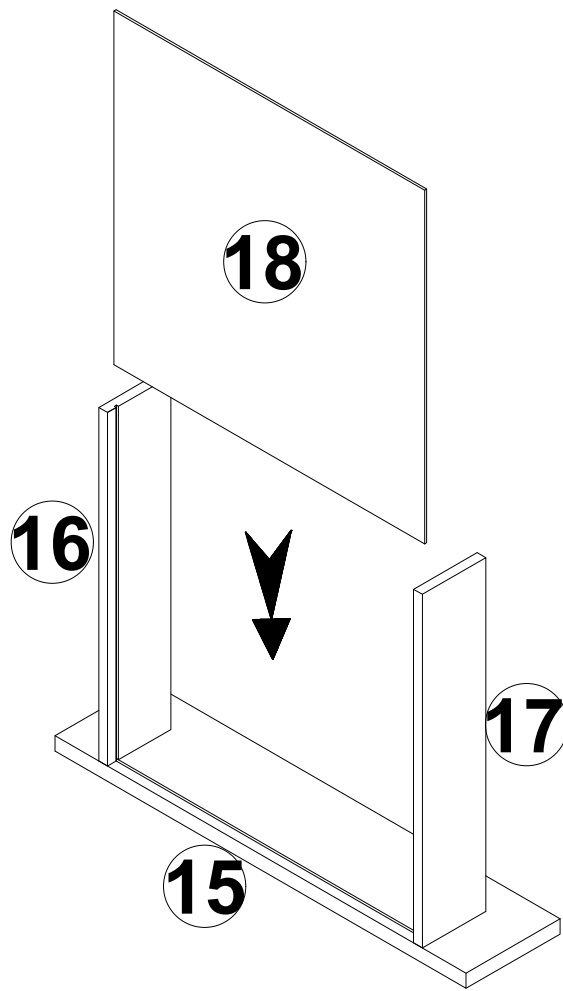


STEP 9

M	
8PCS	


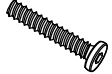


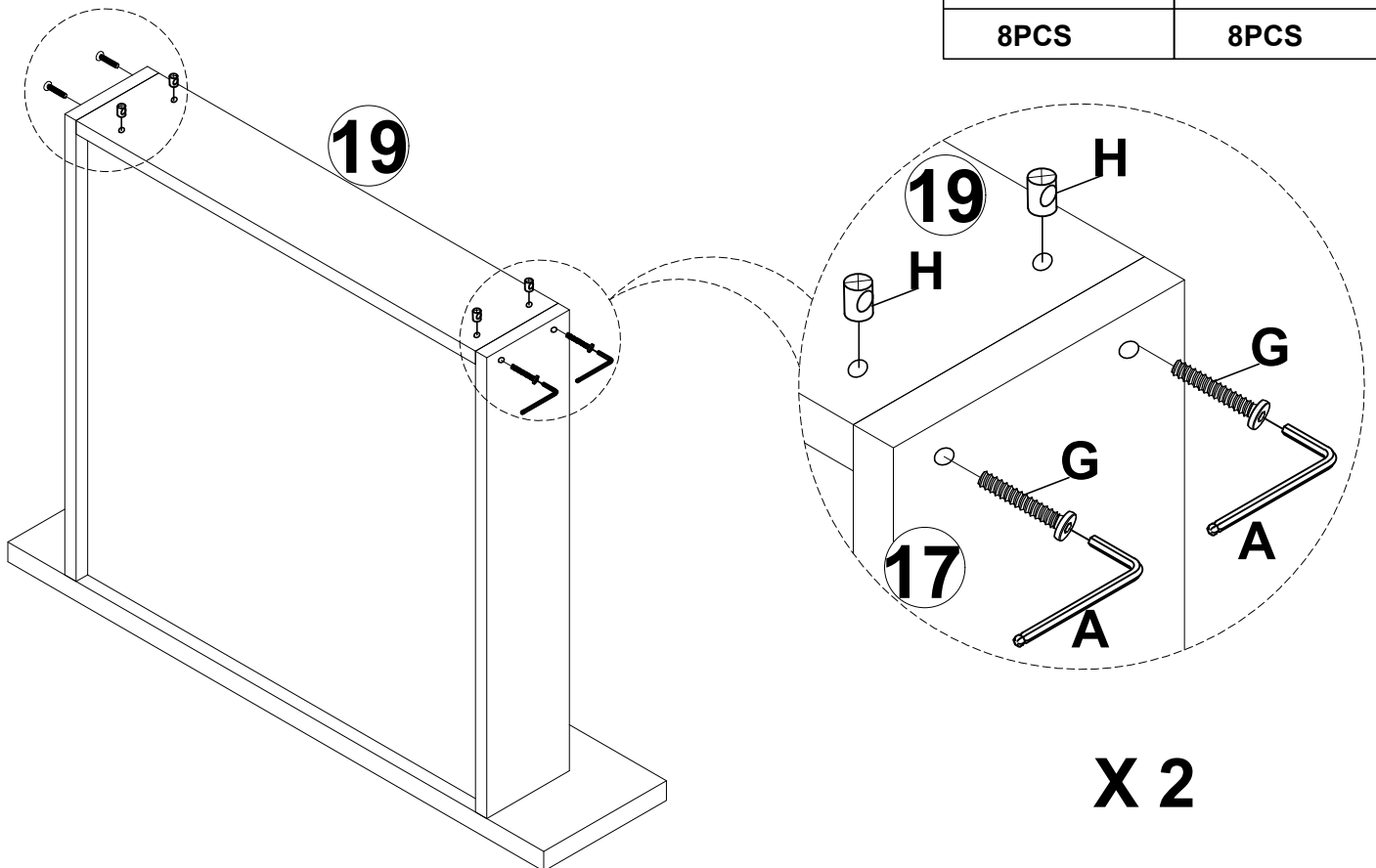
STEP 10



X 2

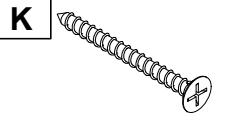
STEP 11

H		G	
8PCS		8PCS	

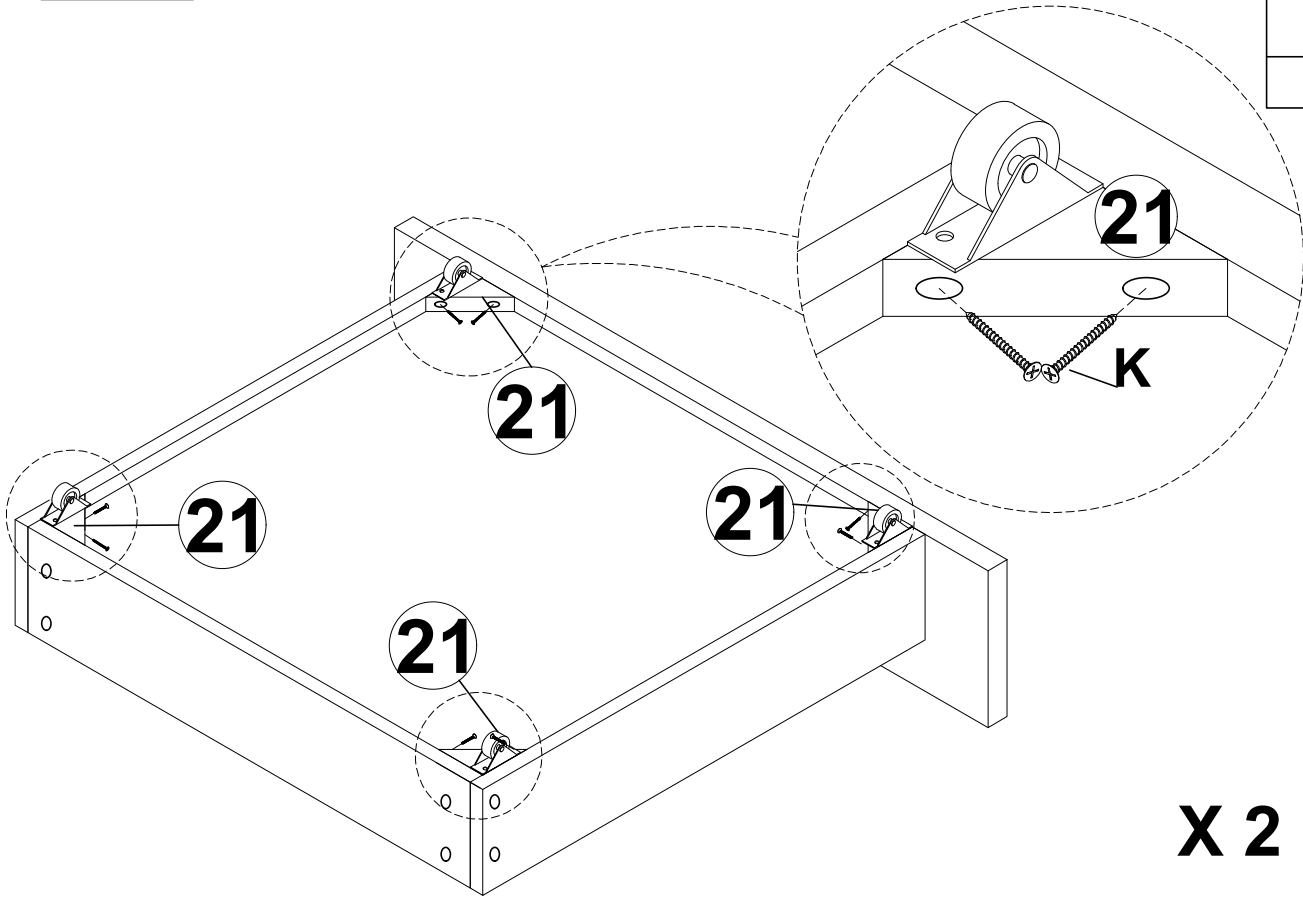


X 2

STEP 12

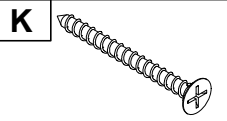


16PCS

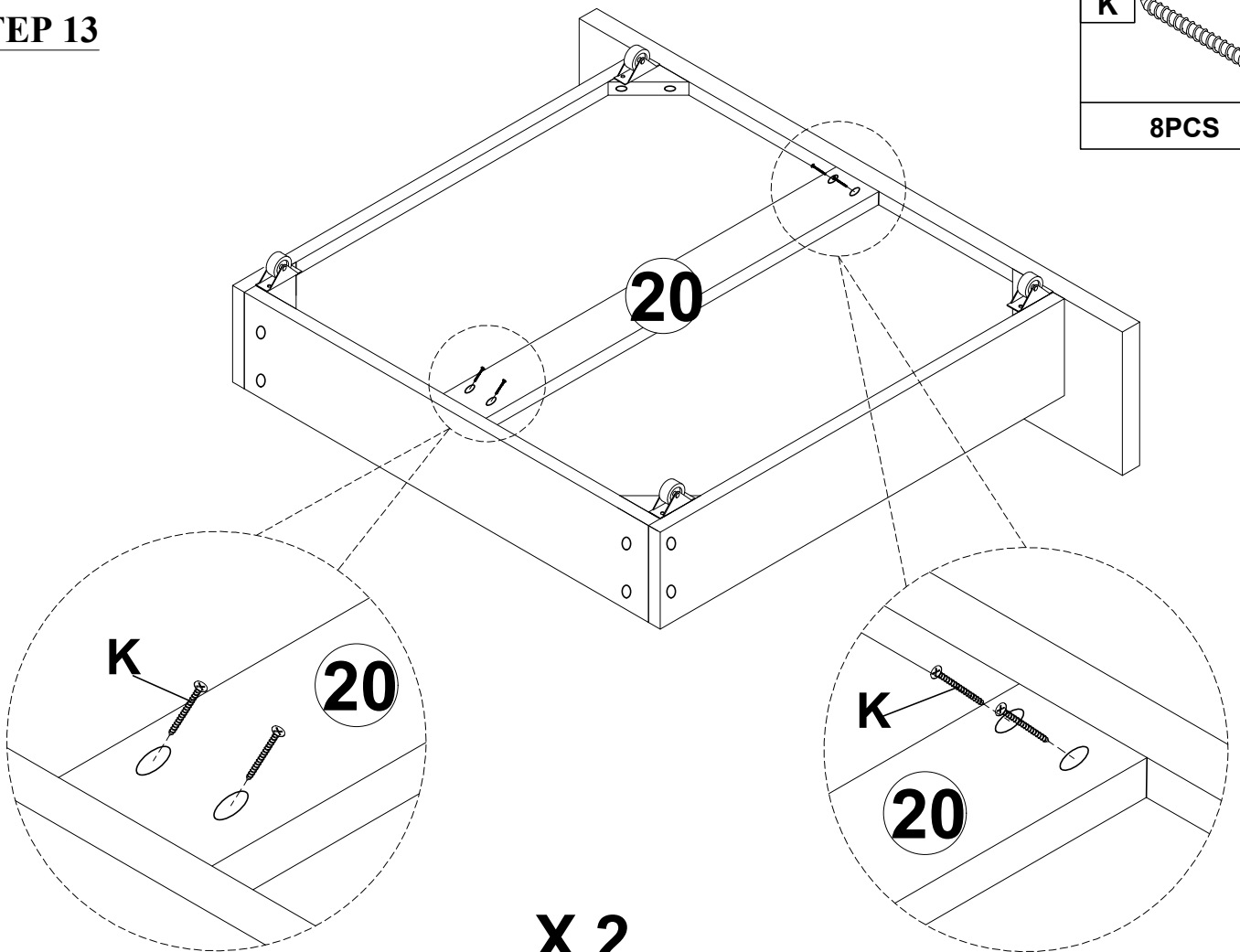


X 2

STEP 13



8PCS



X 2

STEP 14

