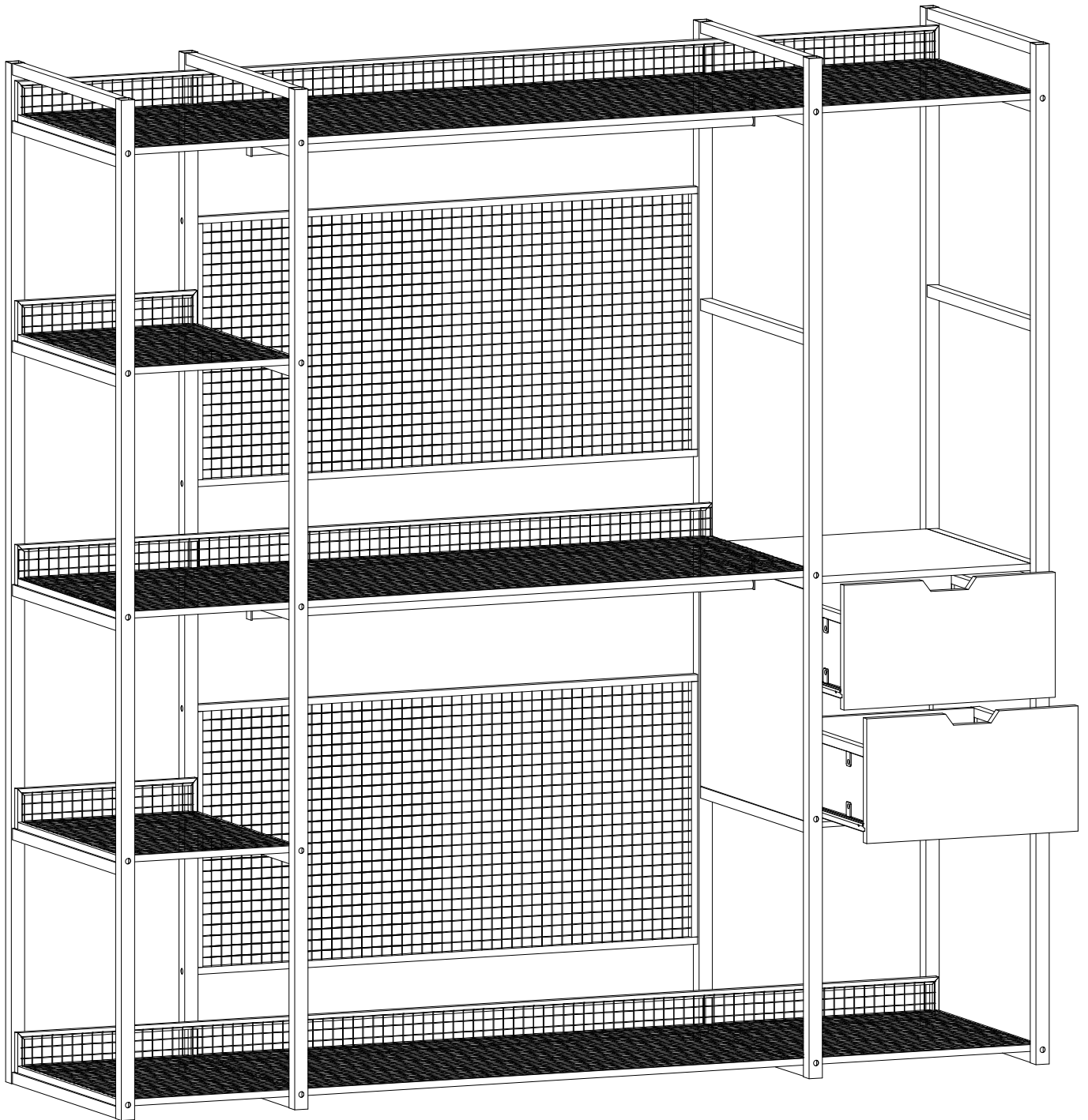


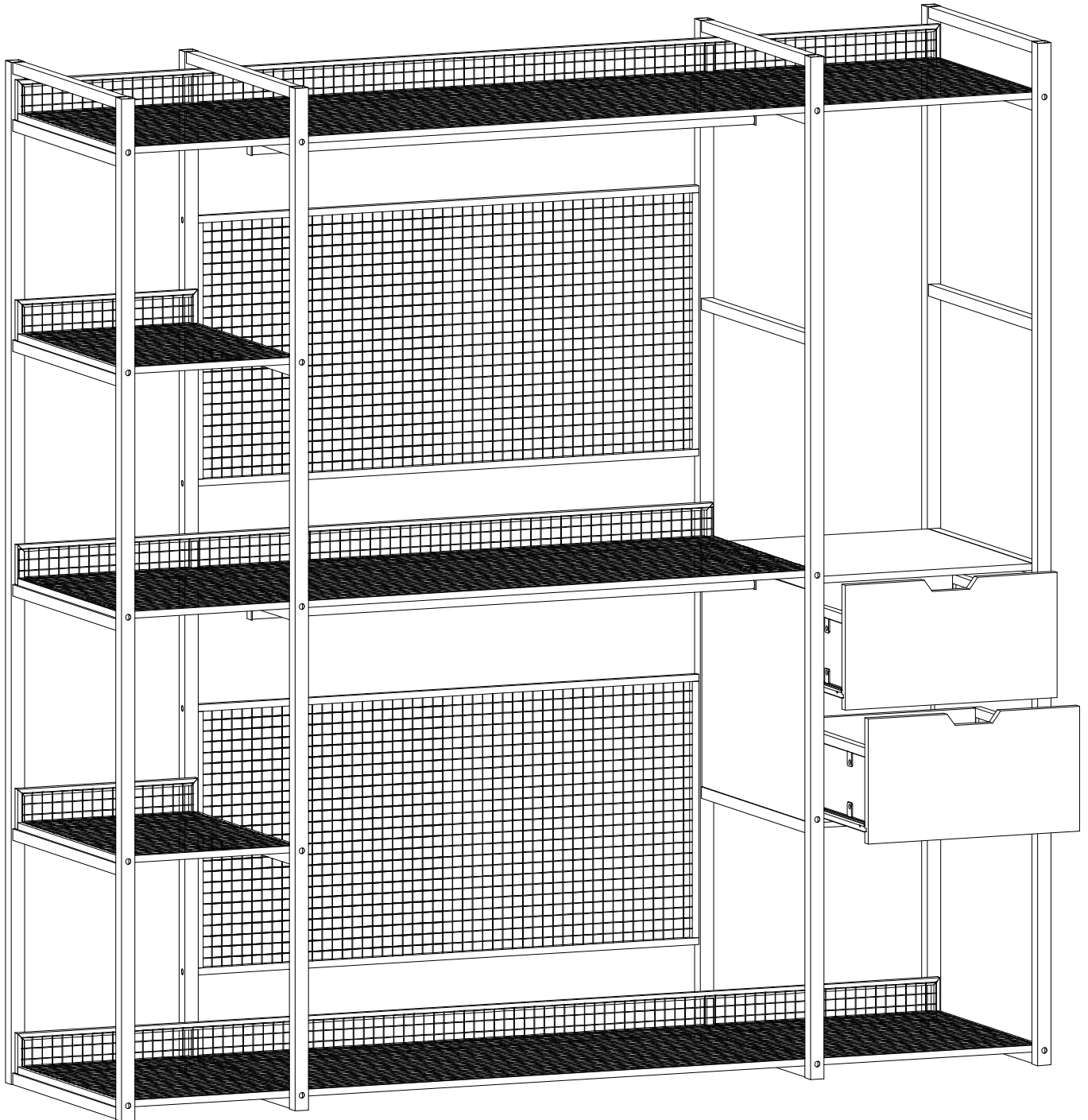
# ASSEMBLY INSTRUCTIONS

SKU CODE: MF313819-MF313820



# ASSEMBLY INSTRUCTIONS

## Metal closet



Thank you for purchasing this quality product. Be sure to check all packing material carefully for small parts which may have come loose inside the carton during shipment. Separate, identify and count all parts and hardware.

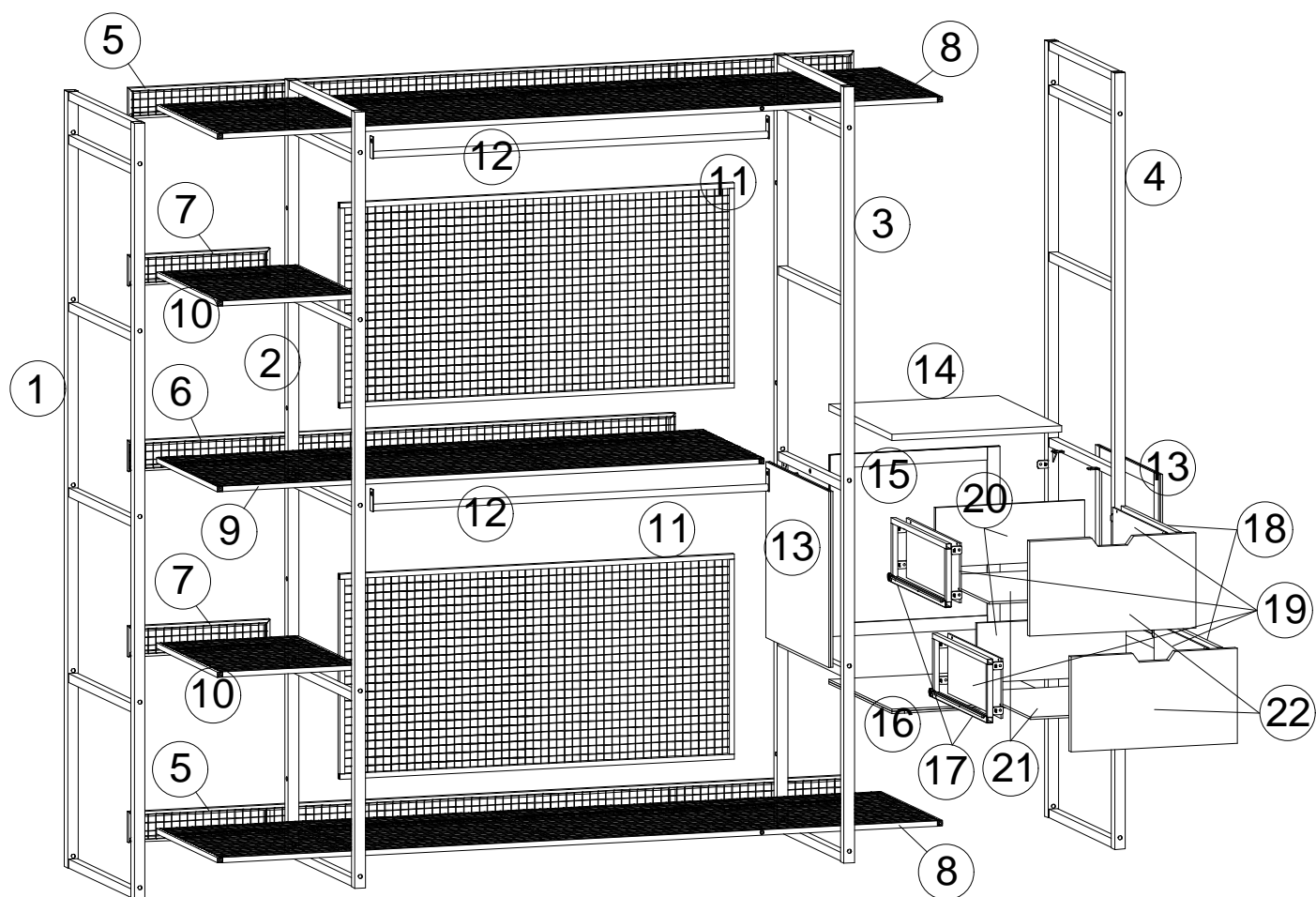
Compare with the parts list to be sure all parts are present.

**"DO NOT TIGHTEN SCREWS UNTIL COMPLETELY ASSEMBLED"**

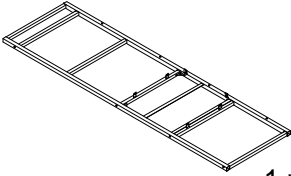
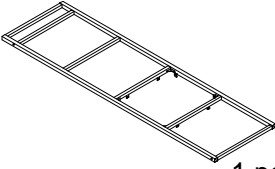
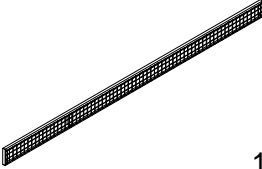
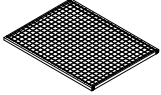
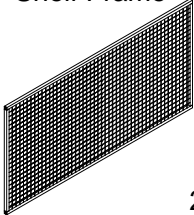
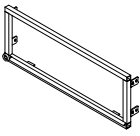
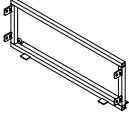
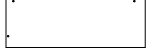
# Detail View

## Metal closet

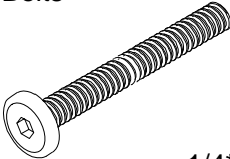
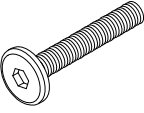
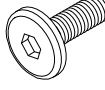
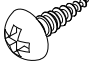
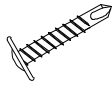
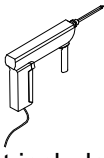

IMPORTANT:  
PLEASE READ INSTRUCTION BEFORE STARTING THE ASSEMBLY



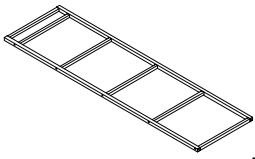
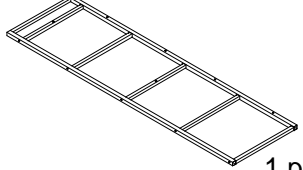
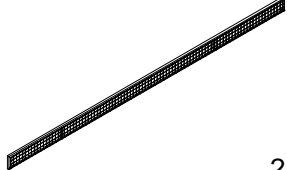
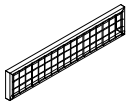
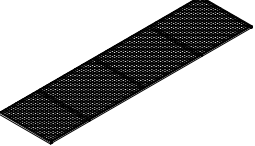
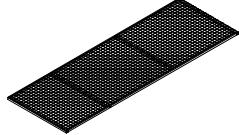
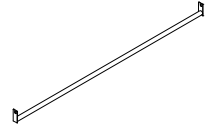

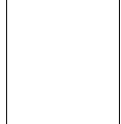
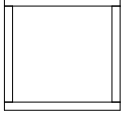
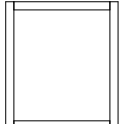

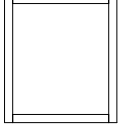

# PART LIST MF313819

<p>3 Shelf Frame</p>  <p>1 pc</p>	<p>4 Shelf Frame</p>  <p>1 pc</p>	<p>6 Shelf Frame</p>  <p>1 pc</p>	<p>10 Shelf Frame</p>  <p>2 pcs</p>
<p>11 Shelf Frame</p>  <p>2 pcs</p>	<p>17 Drawer sides</p>  <p>2 pcs</p>	<p>18 Drawer sides</p>  <p>2 pcs</p>	<p>19 plank</p>  <p>4 pcs</p>

# HARDWARE LIST MF313819

<p>A Bolts</p>  <p>1/4*50 15 pcs</p>	<p>B Bolts</p>  <p>1/4*40 23 pcs</p>	<p>C Bolts</p>  <p>1/4*18 4 pcs</p>	<p>D Bolts</p>  <p>#8*10 36 pcs</p>
<p>E Screws</p>  <p>JPMT 4.2X20 12 pcs</p>	<p>F Electric screwdriver</p>  <p>(Not included)</p>	<p>G Screws</p>  <p>4*59 1 pc</p>	

# PART LIST MF313820

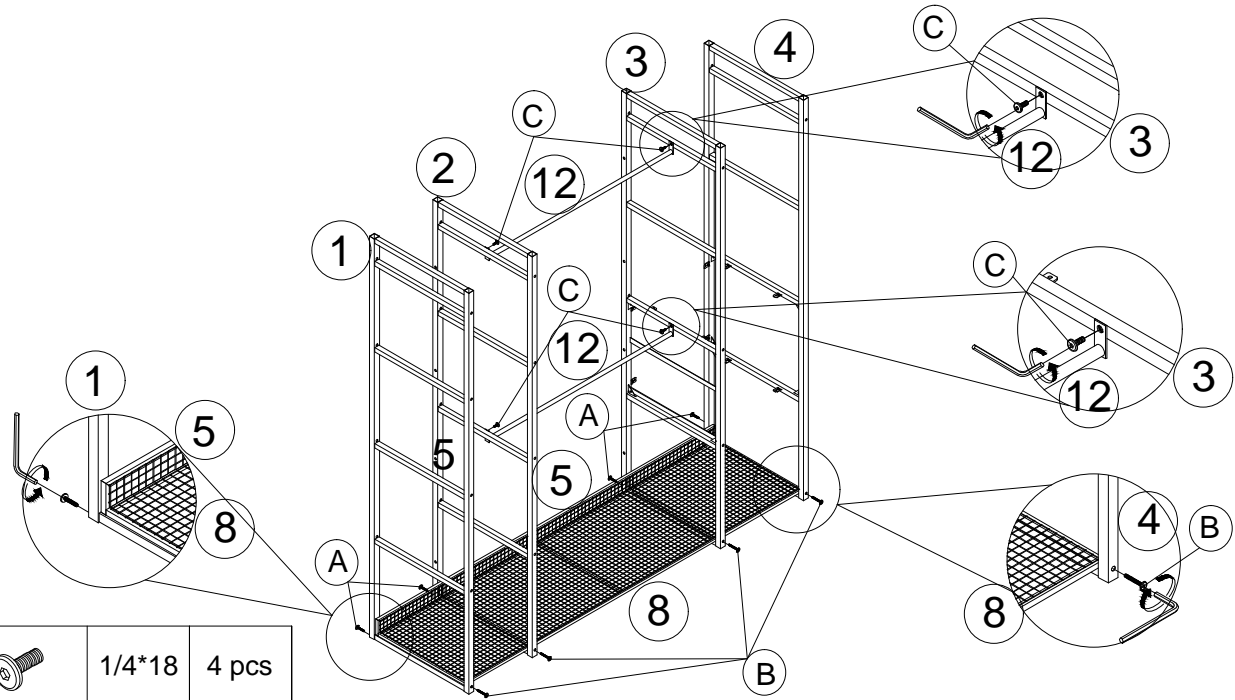
<p>① Shelf Frame</p>  <p>1 pc</p>	<p>② Shelf Frame</p>  <p>1 pc</p>	<p>⑤ Shelf Frame</p>  <p>2 pc</p>	<p>⑦ Shelf Frame</p>  <p>2 pcs</p>
<p>⑧ Shelf Frame</p>  <p>2 pcs</p>	<p>⑨ Shelf Frame</p>  <p>1 pc</p>	<p>⑫ Shelf Frame</p>  <p>2 pcs</p>	<p>⑬ plank</p>  <p>2 pcs</p>
<p>⑭ plank</p>  <p>1 pc</p>	<p>⑮ plank</p>  <p>1 pc</p>	<p>⑯ plank</p>  <p>1 pc</p>	<p>⑳ plank</p>  <p>2 pcs</p>
<p>㉑ plank</p>  <p>2 pcs</p>	<p>㉒ plank</p>  <p>2 pcs</p>		



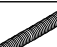
# Metal closet

## ASSEMBLY INSTRUCTIONS

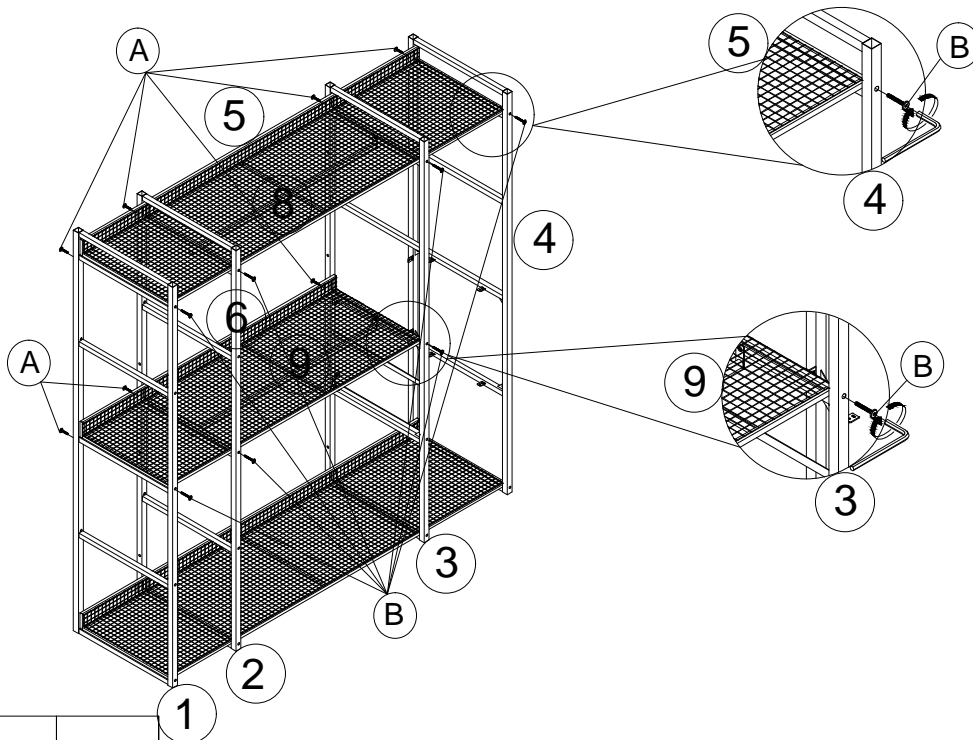
### ITEM: MF313819-MF313820



#### STEP 1



C		1/4*18	4 pcs
B		1/4*40	4 pcs
A		1/4*50	4 pcs

#### STEP 2



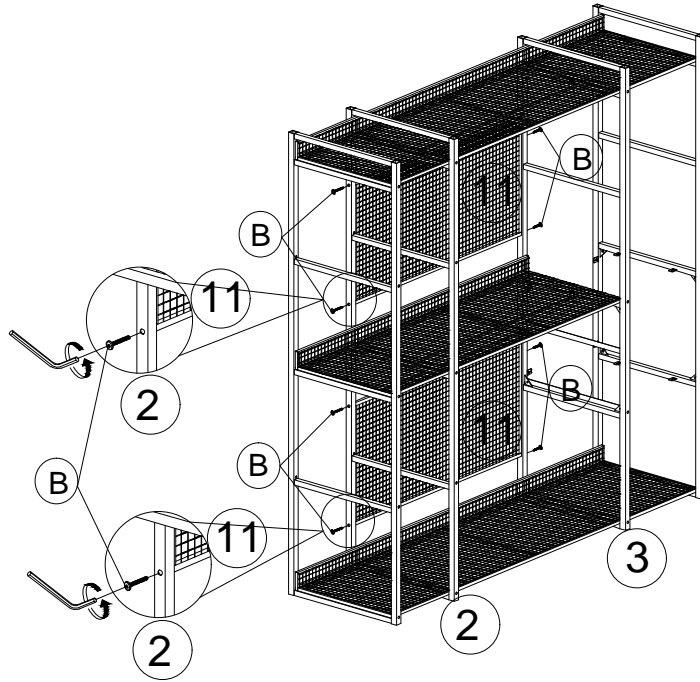
B		1/4*40	7 pcs
A		1/4*50	7 pcs


# Metal closet

## ASSEMBLY INSTRUCTIONS

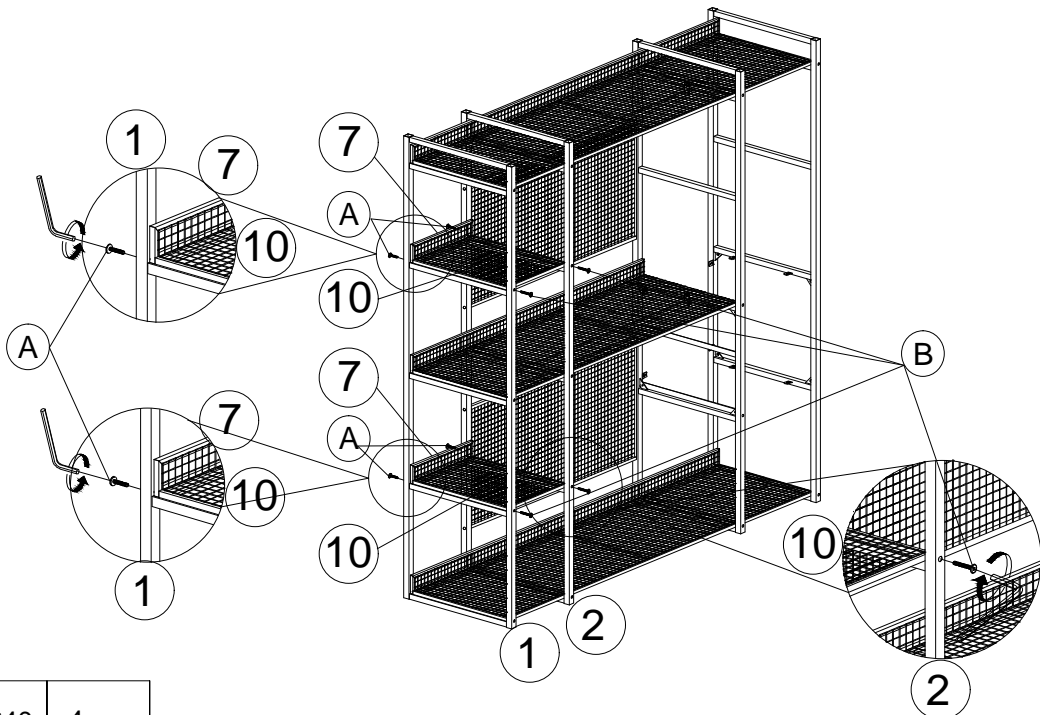
### ITEM: MF313819-MF313820



#### STEP 3



B		1/4*40	8 pcs
---	---	--------	-------

#### STEP 4



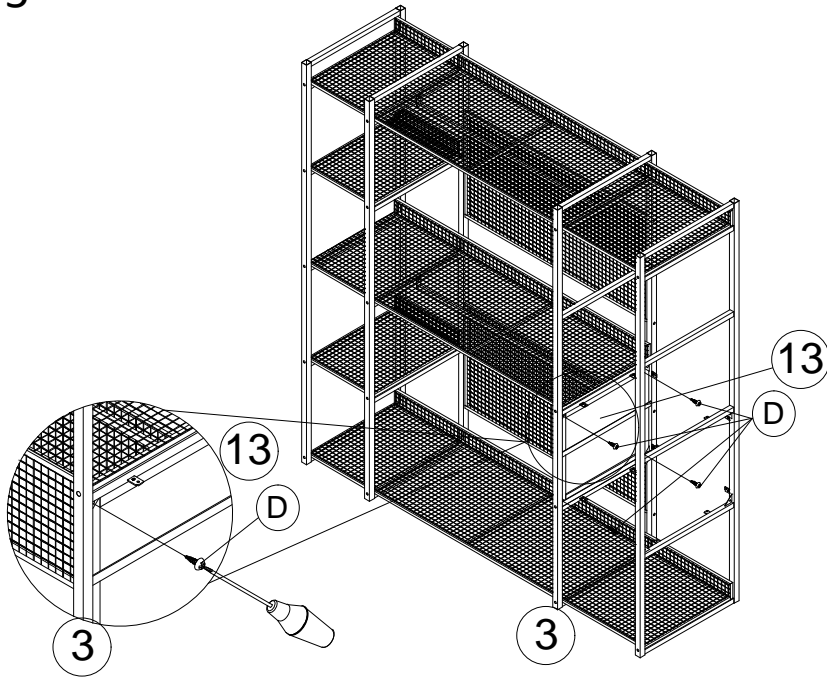
B		1/4*40	4 pcs
A		1/4*50	4 pcs

# Metal closet

## ASSEMBLY INSTRUCTIONS

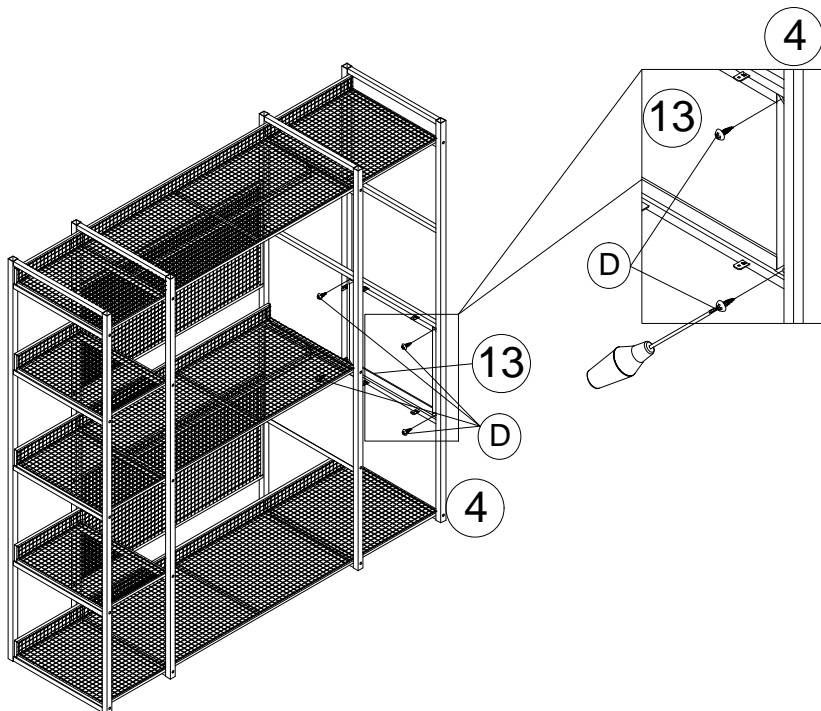
ITEM: MF313819-MF313820

### STEP 5



(D)		#8*10	4 pcs
-----	---	-------	-------

### STEP 6



(D)		#8*10	4 pcs
-----	---	-------	-------

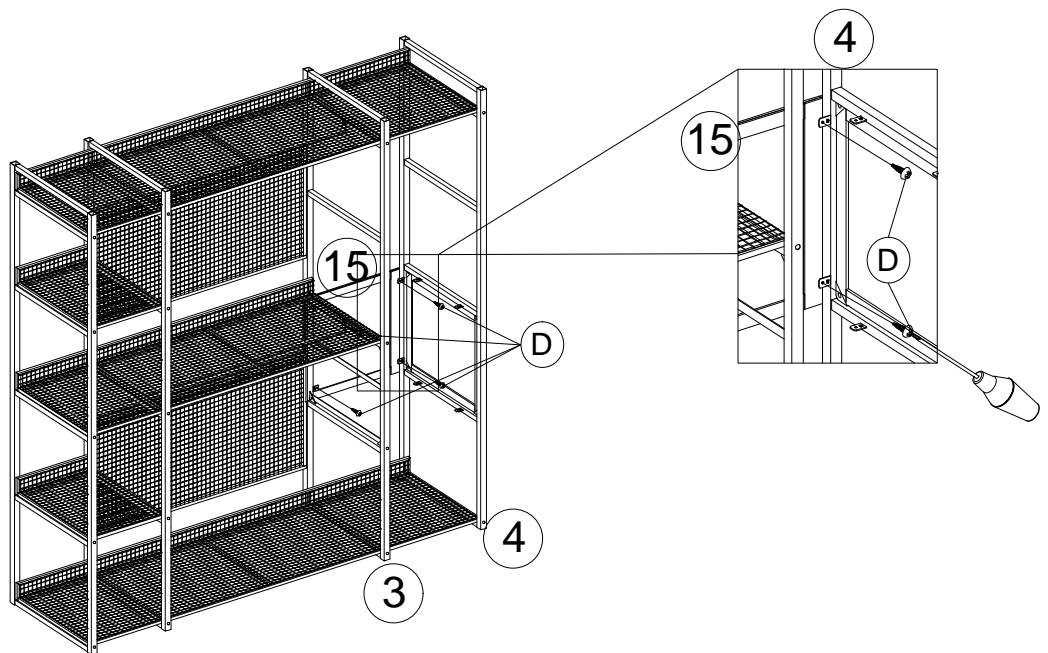


# Metal closet

## ASSEMBLY INSTRUCTIONS

ITEM: MF313819-MF313820

### STEP 7



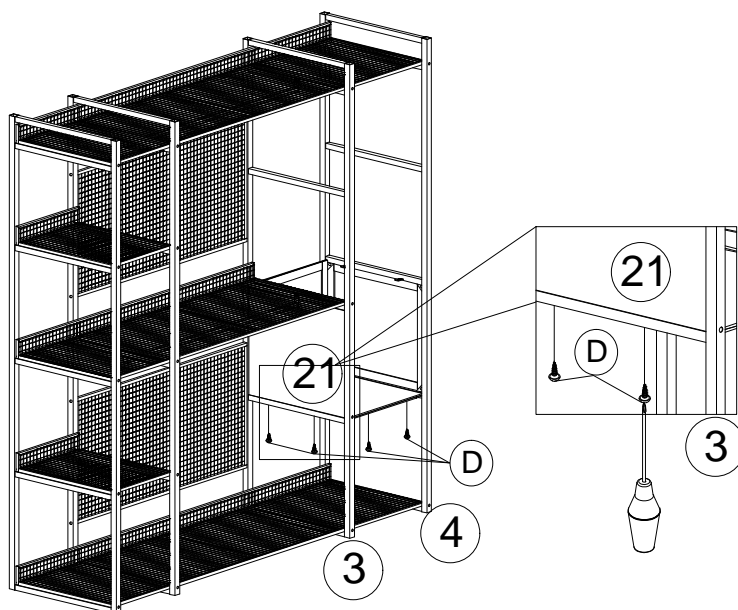
D



#8\*10

4 pcs

### STEP 8



D



#8\*10

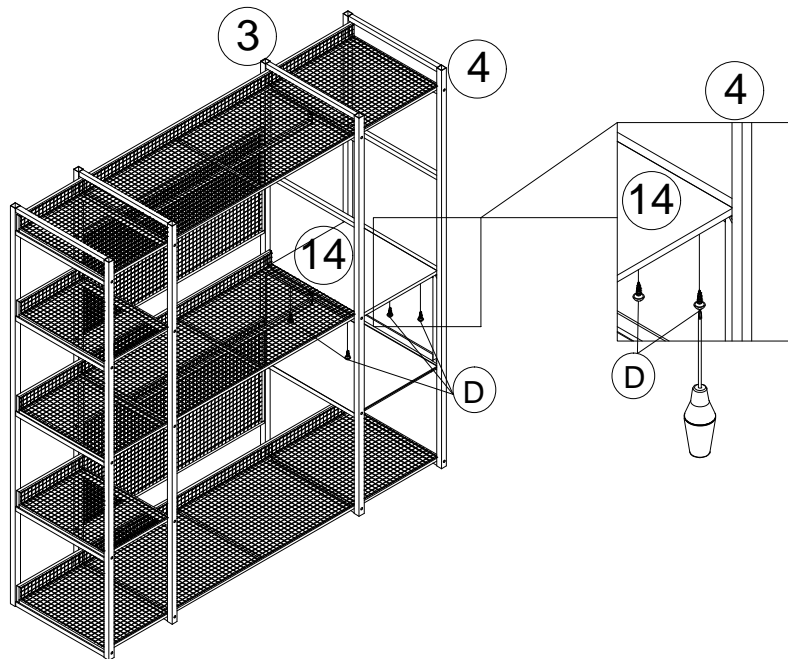
4 pcs

# Metal closet

## ASSEMBLY INSTRUCTIONS

ITEM: MF313819-MF313820

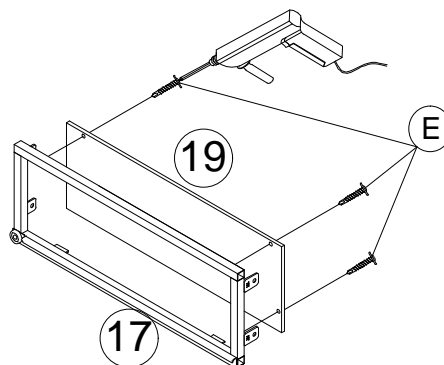
### STEP 9




(D)		#8*10	4 pcs
-----	---	-------	-------

### STEP 10

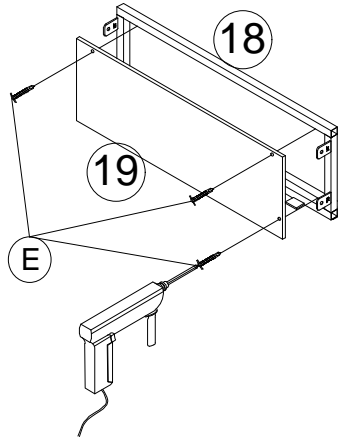
X2




(E)		JPMT 4.2X20	3 pcs x2
-----	---	-------------	----------

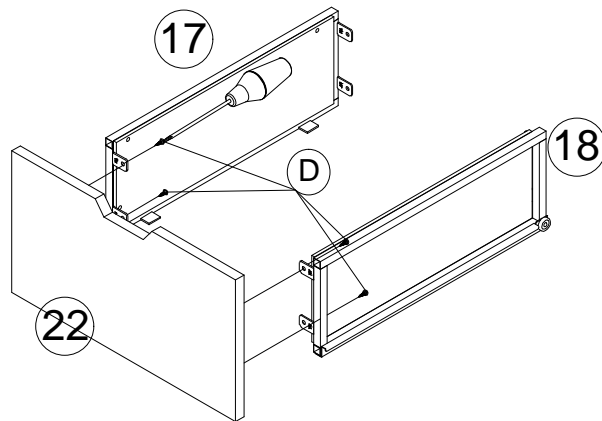
**Metal closet**  
**ASSEMBLY INSTRUCTIONS**  
**ITEM: MF313819-MF313820**


**STEP 11**  
**X2**



(E)		JPMT 4.2X20	3 pcs x2
-----	---	-------------	----------

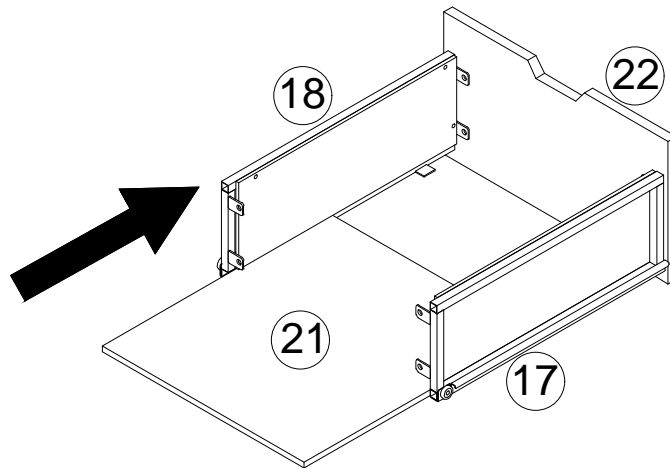
**STEP 12**  
**X2**



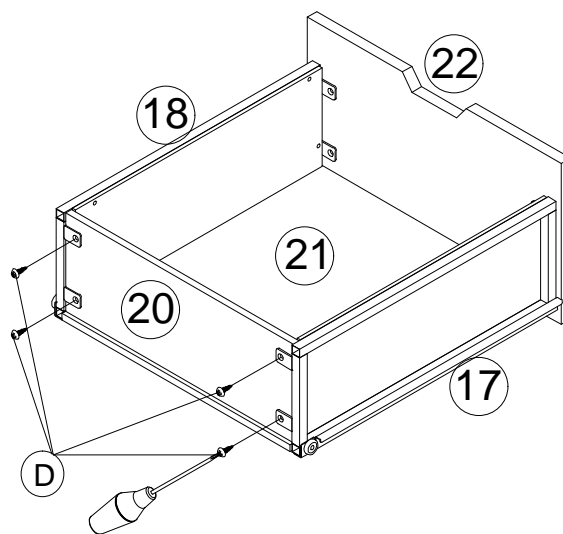
(D)		#8*10	4 pcs x2
-----	---	-------	----------


**Metal closet**  
**ASSEMBLY INSTRUCTIONS**  
**ITEM: MF313819-MF313820**

**STEP 13**  
**X2**



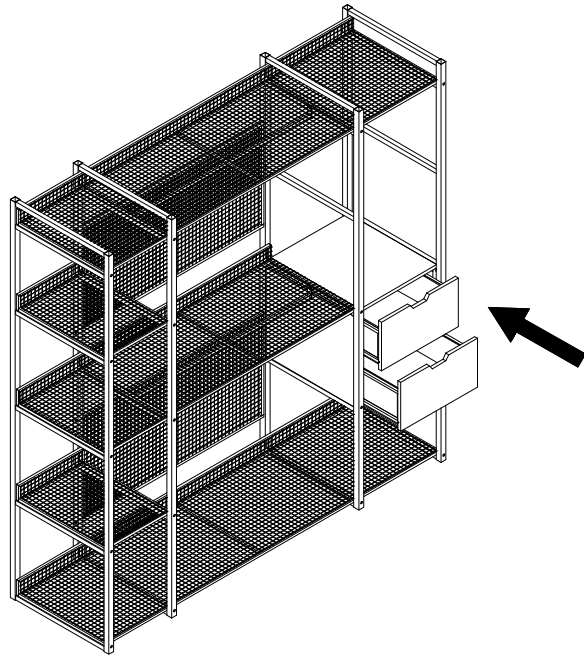
**STEP 14**  
**X2**



(D)		#8*10	4 pcs x2
-----	---	-------	----------

**Metal closet**  
**ASSEMBLY INSTRUCTIONS**  
**ITEM: MF313819-MF313820**

**STEP 15**



**COMPLETE**

