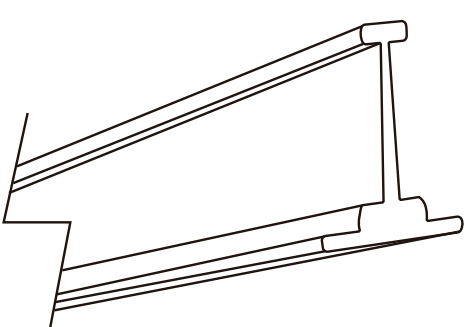
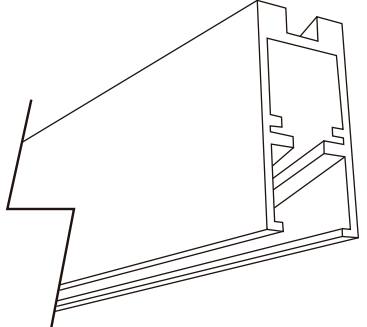
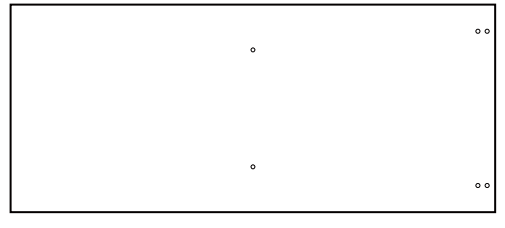
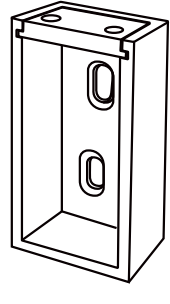
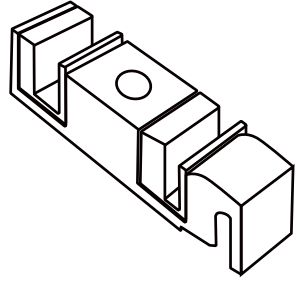
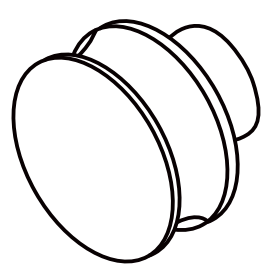
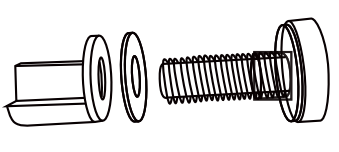
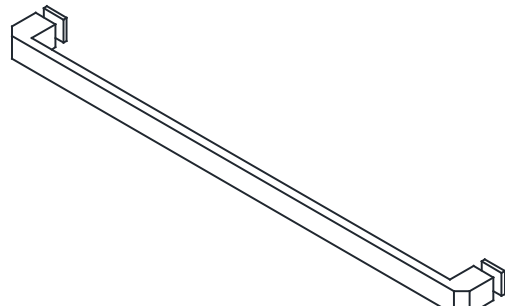
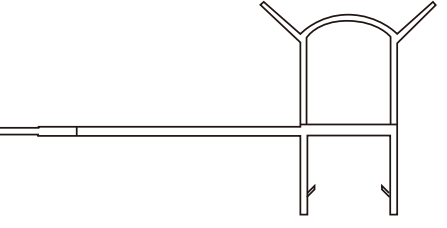
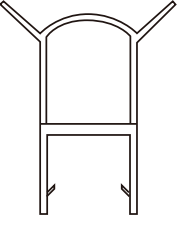



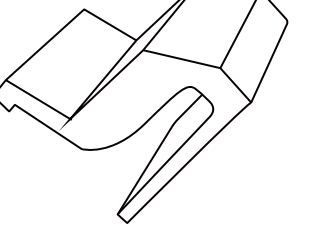
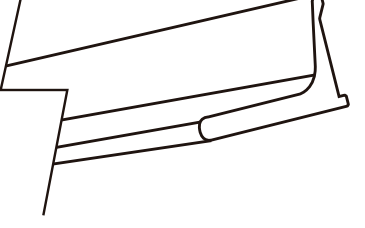

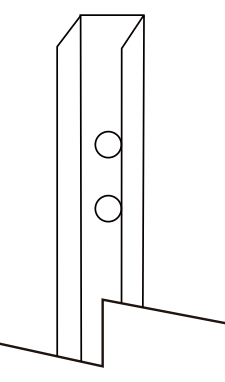
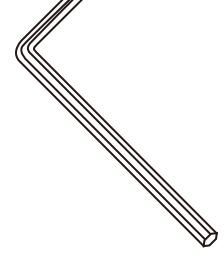
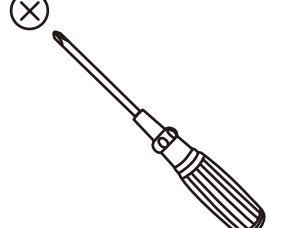
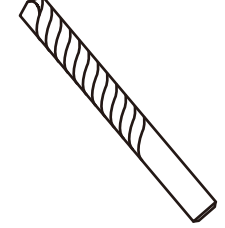
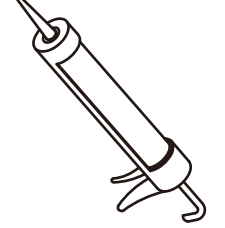
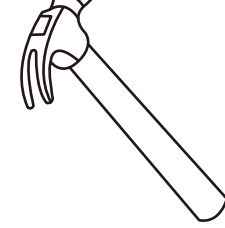
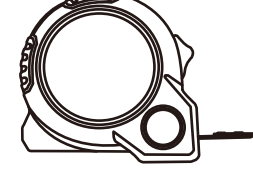
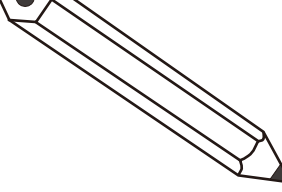
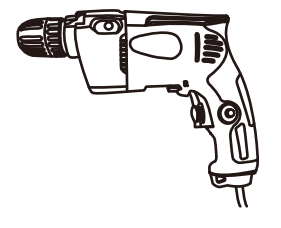
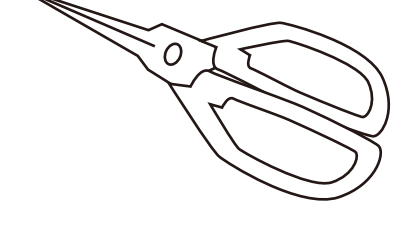
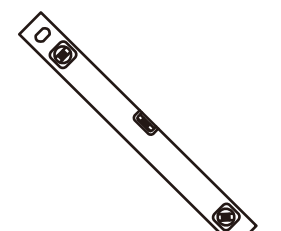


Check carefully after opening the box. Make sure there are no missing pieces and the shower doors do not have any cracks. During installation, please be careful with the corners of the glass doors. They are very fragile. After the shower doors are installed, the sliding doors should be parallel to each other to open and close smoothly, without gaps or water seepage, and the shower and the bottom basin should be sealed with silicone between them.

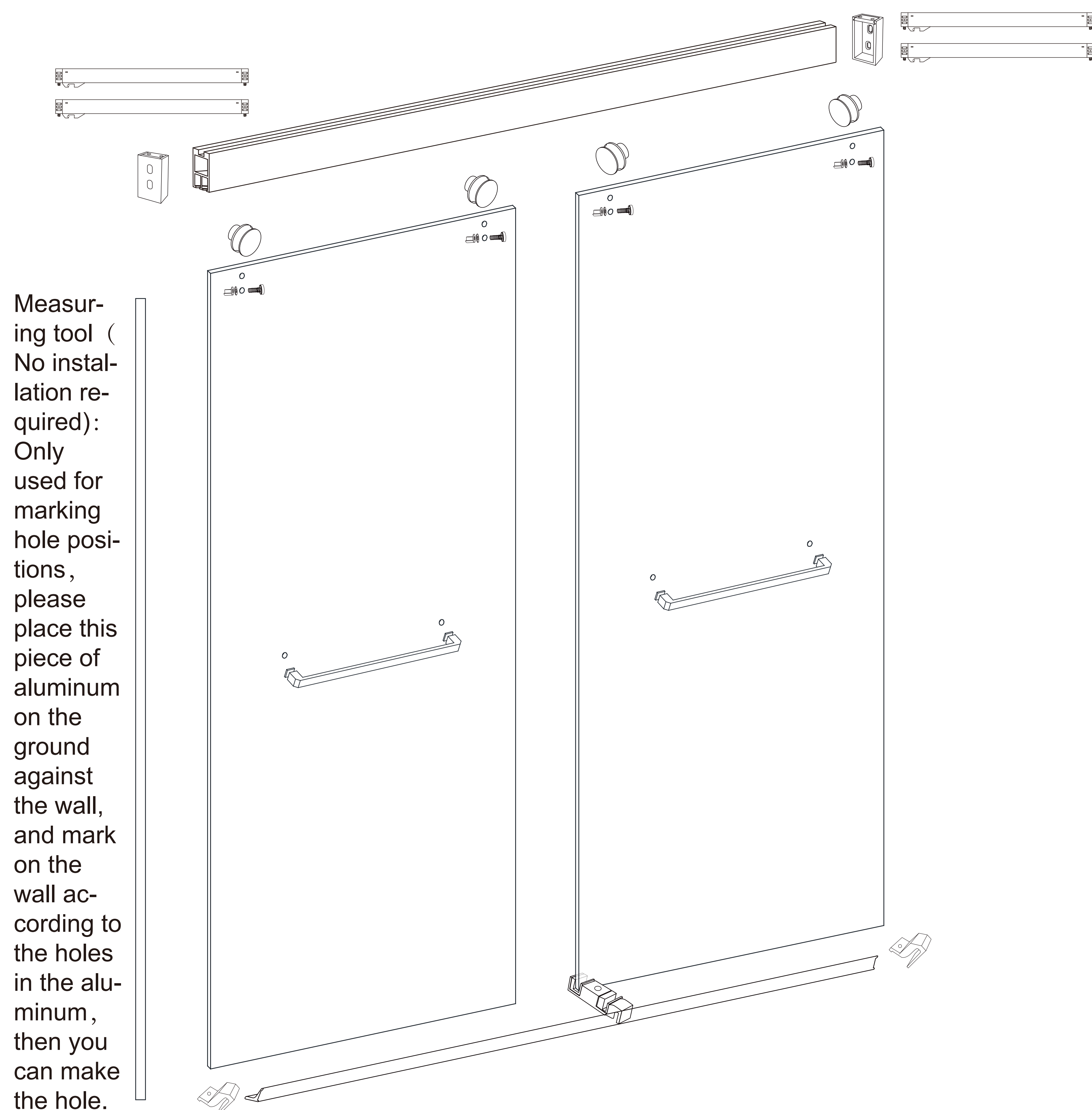
## Parts list

 <b>A×2</b> Bottom Accessory of Upper Guide Rail	 <b>B×1</b> Aluminum material Upper Guide Rail	 <b>C×2</b> Internal accessories Door Glass	 <b>D×2</b> Internal accessories Guide Rail Bracket	 <b>E×1</b> Internal accessories Bottom Guide Block	 <b>F×4</b> Internal accessories Roller	 <b>G×4</b> Internal accessories Anti Jumping Knob
 <b>H×2</b> Internal accessories Door Handle	 <b>I×2</b> Internal accessories Water Retaining Strip	 <b>J×2</b> Internal accessories Water Retaining Strip	 <b>K×9</b> Internal accessories Plastic Wall Anchor	 <b>L-1×4</b> Internal accessories Truss Head Self-Tapping Screw 6x40	 <b>L-2×5</b> Internal accessories Truss Head Self-Tapping Screw 4x25	 <b>M×2</b> Internal accessories Positioning Block
 <b>N×1</b> Aluminum material Anti-Splash Threshold	 <b>O×4</b> Internal accessories Glass Door Buffer	 <b>P×1</b> Aluminum material Measuring Tool	 <b>Q×3</b> Allen Wrench			

## Tools Not Included

 Phillips screwdriver Tools needed	 Assorted Drill Bits Tools needed
 Glue gun Silicone Nail bit	 Adjustable Wrench Nail bit
 Internal accessories Tools needed	 Internal accessories Tools needed
 Percussion Drill Tools needed	 Internal accessories Tools needed
 Level Tools needed	

## Package contents

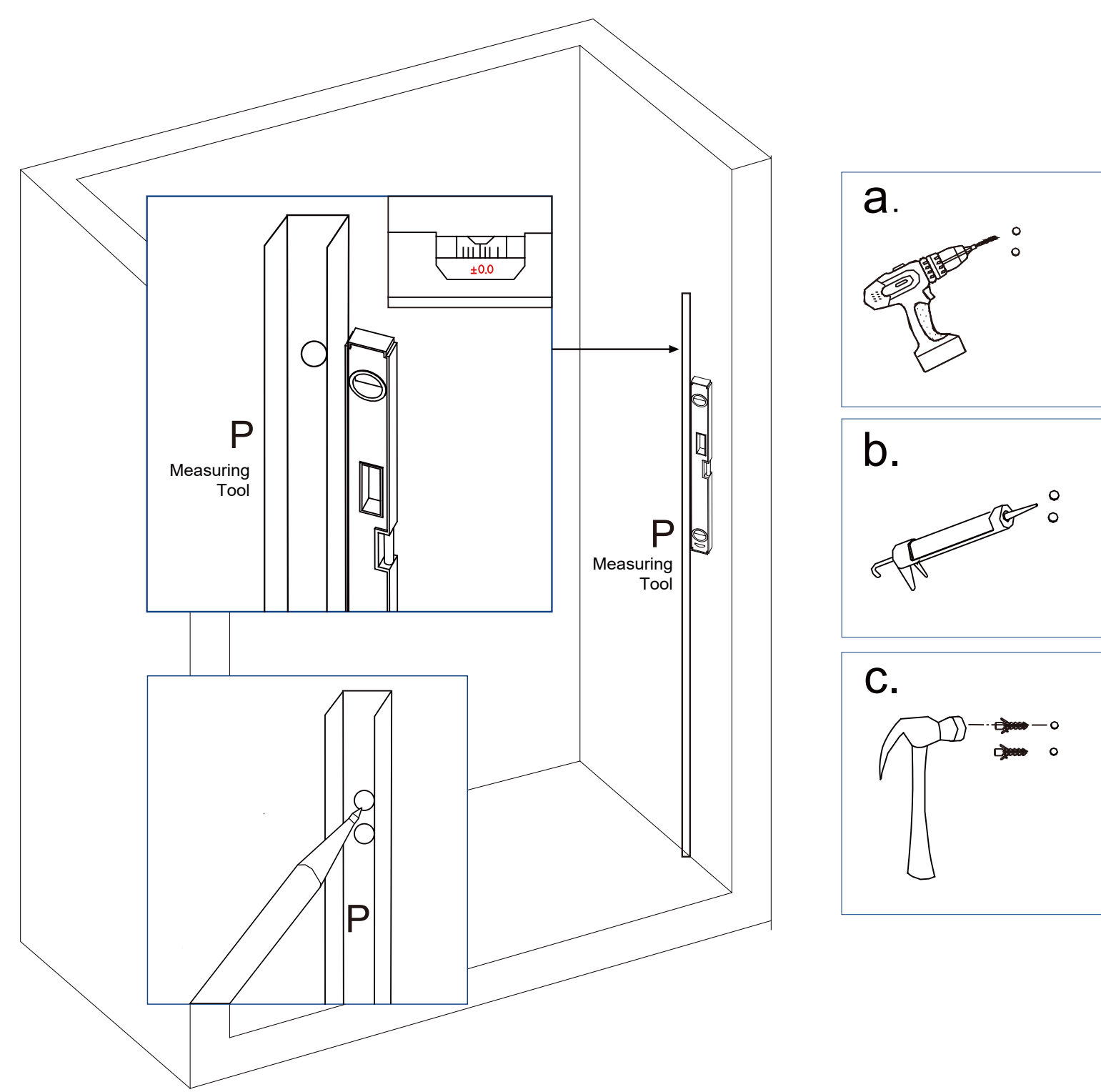


The following instructions will guide you through the installation of a sliding shower door.

\*Glass doors can be installed on either side.  
Frame parts will need to be flipped over to install the sliding door on the left or right side.

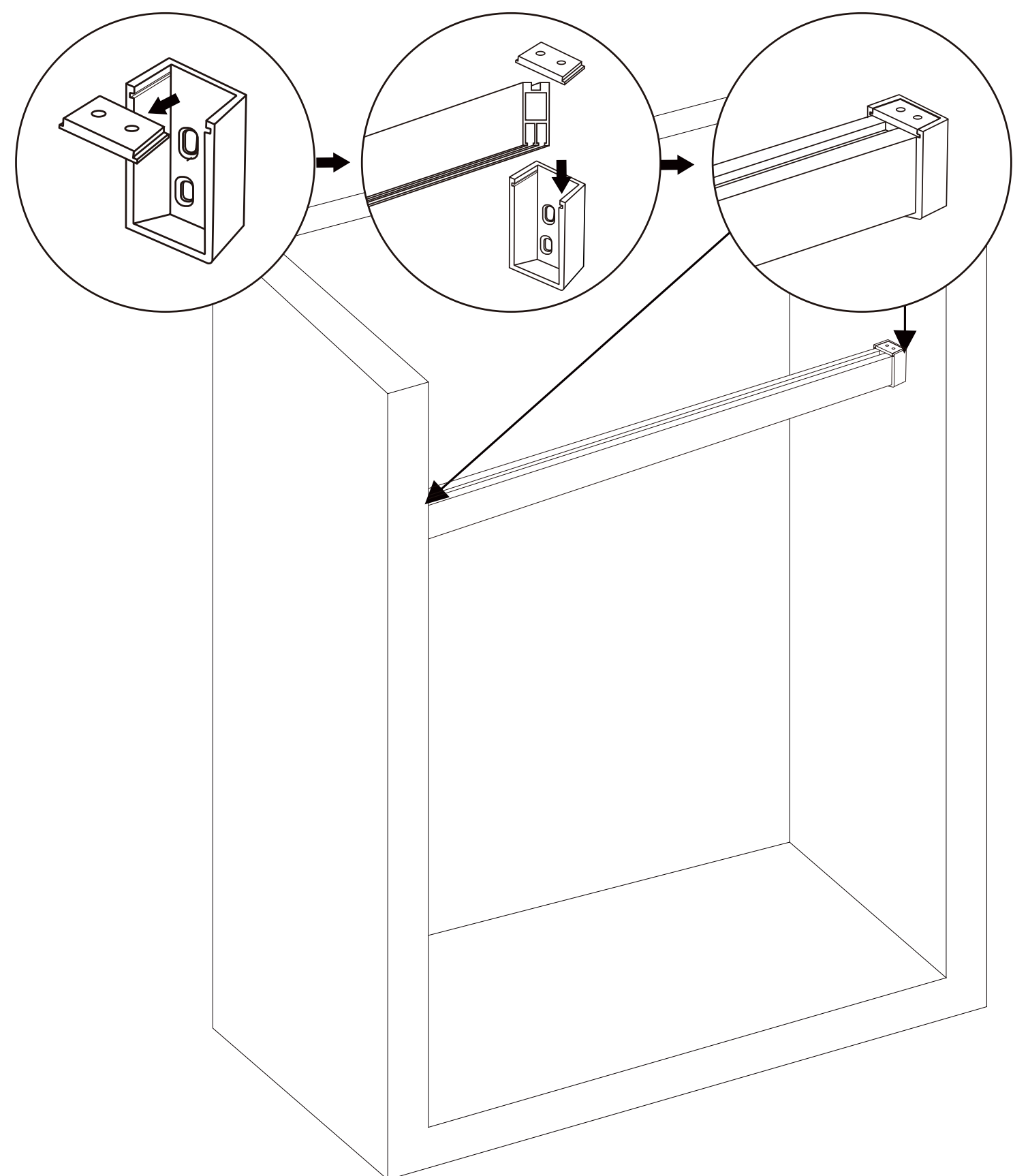


## Step 01



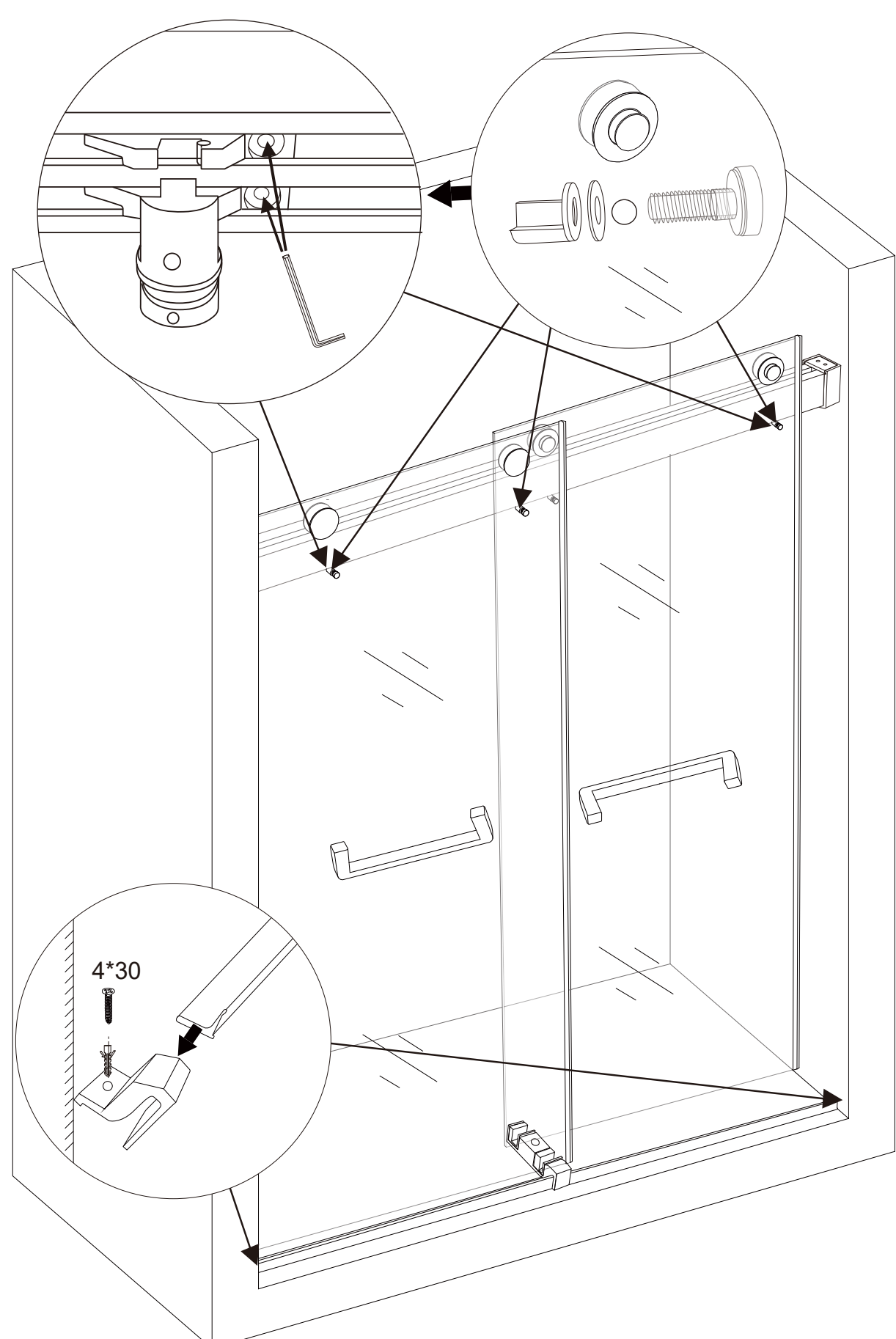
1. Place the Measuring Tool(P) vertically from the ground on the left and right walls. Mark the installation holes on the walls according to the holes on the measuring Tool(P)  
Drill holes in the location marked above and apply silicone into the holes, insert the Wall anchors (K) for the Guide Rail Bracket.

## Step 04



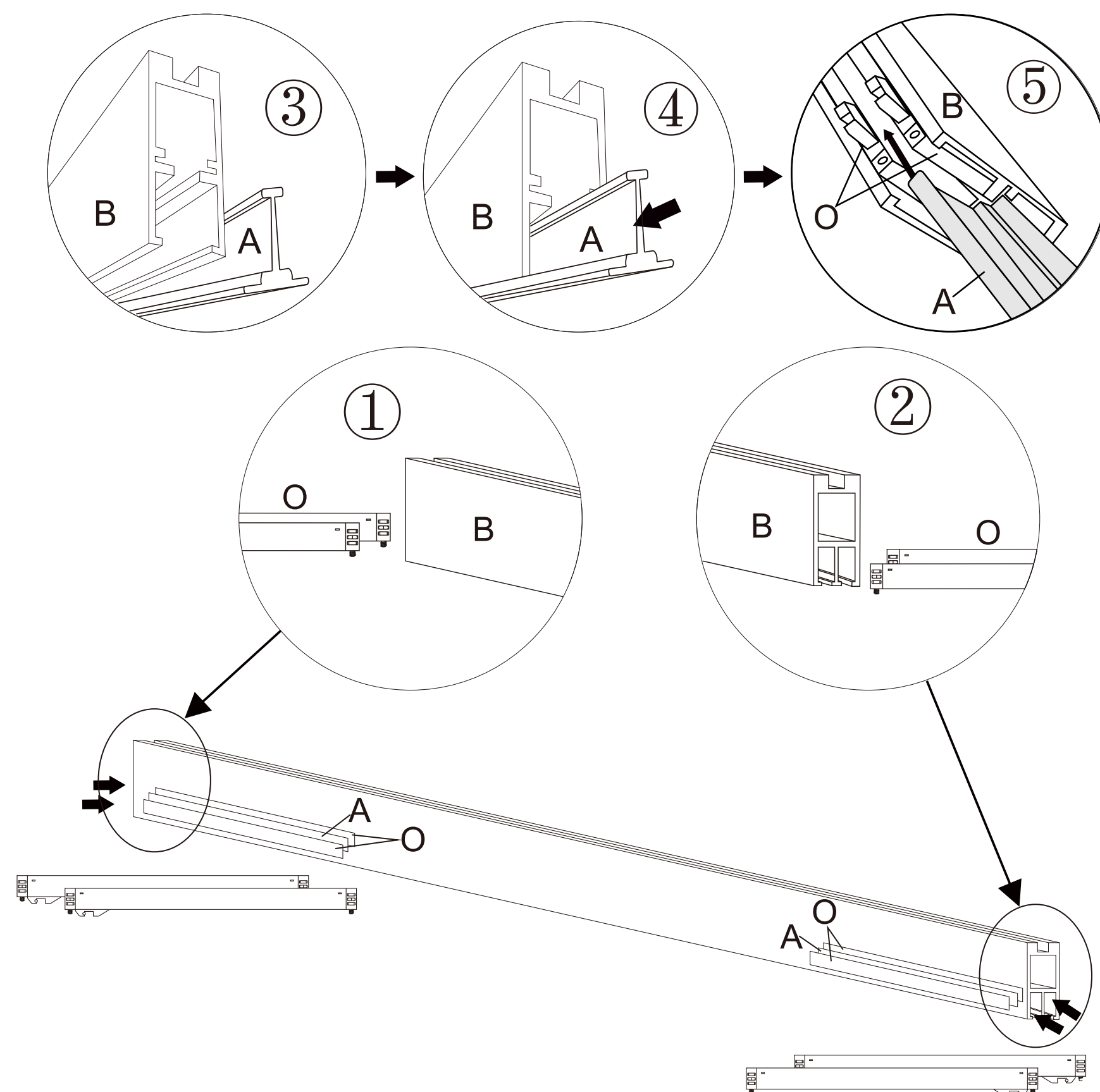
4. Detach the Guide Rail Bracket(D) as shown in the picture to open the connecting rod, then insert the Upper Guide Rail (B) into the Guide Rail Bracket(D).  
Put the Guide Rail Bracket Covers to the Guide Rail Brackets (D) and secure it tightly with Allen Key (Q) .

## Step 07



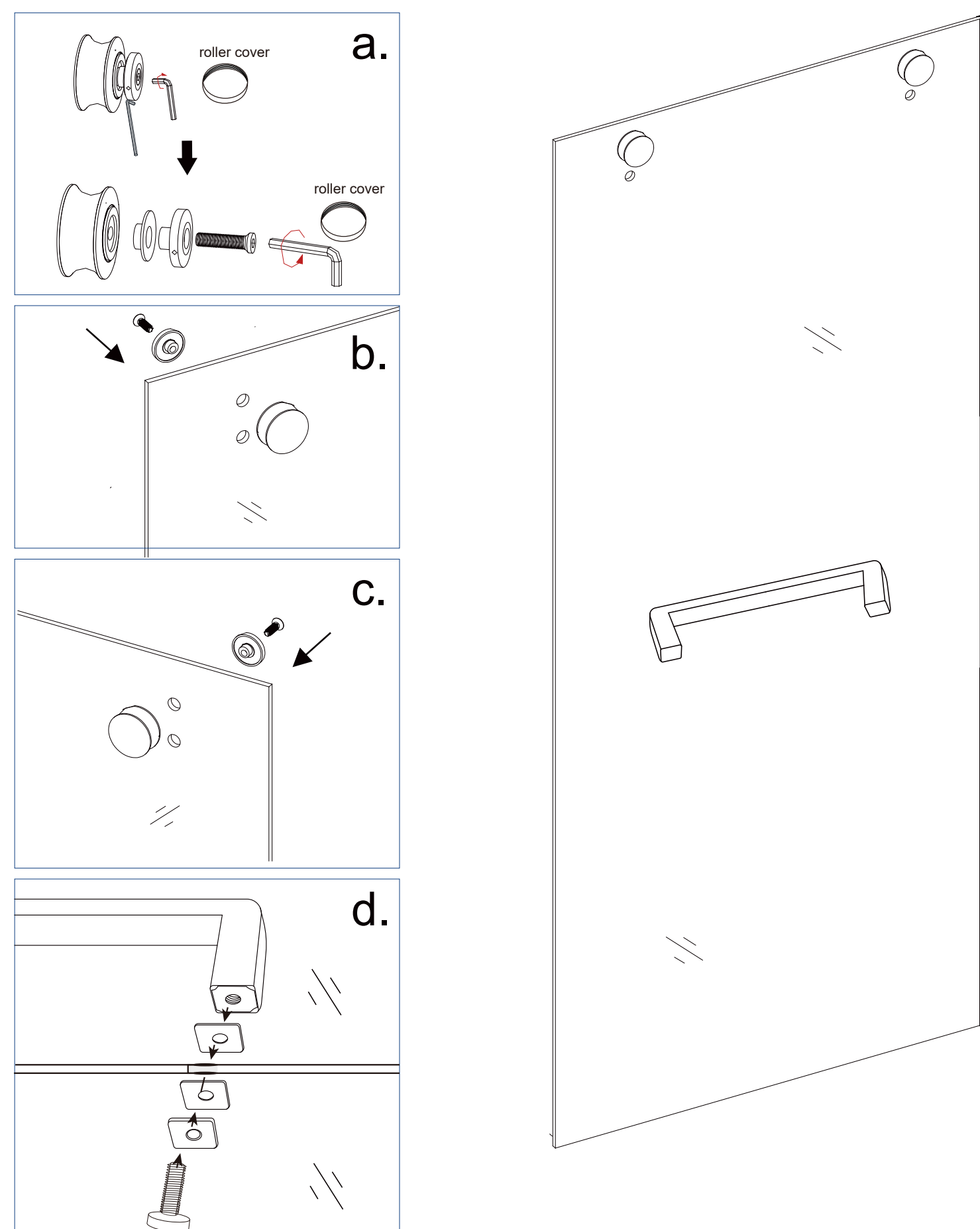
9. (1) Install the Anti jumping knob (G) to the Door Glass (C). Make sure that the clear gasket will be between the glass and the metal parts of the Anti jumping knob (G).  
(2) Adjust the position of the Glass Door Buffer (O), then tighten the screws.  
(3) Then use 4x25 Screw (L-2) to fix the Positioning Block (M) at both ends of the anti-splash Threshold (N) .

## Step 02



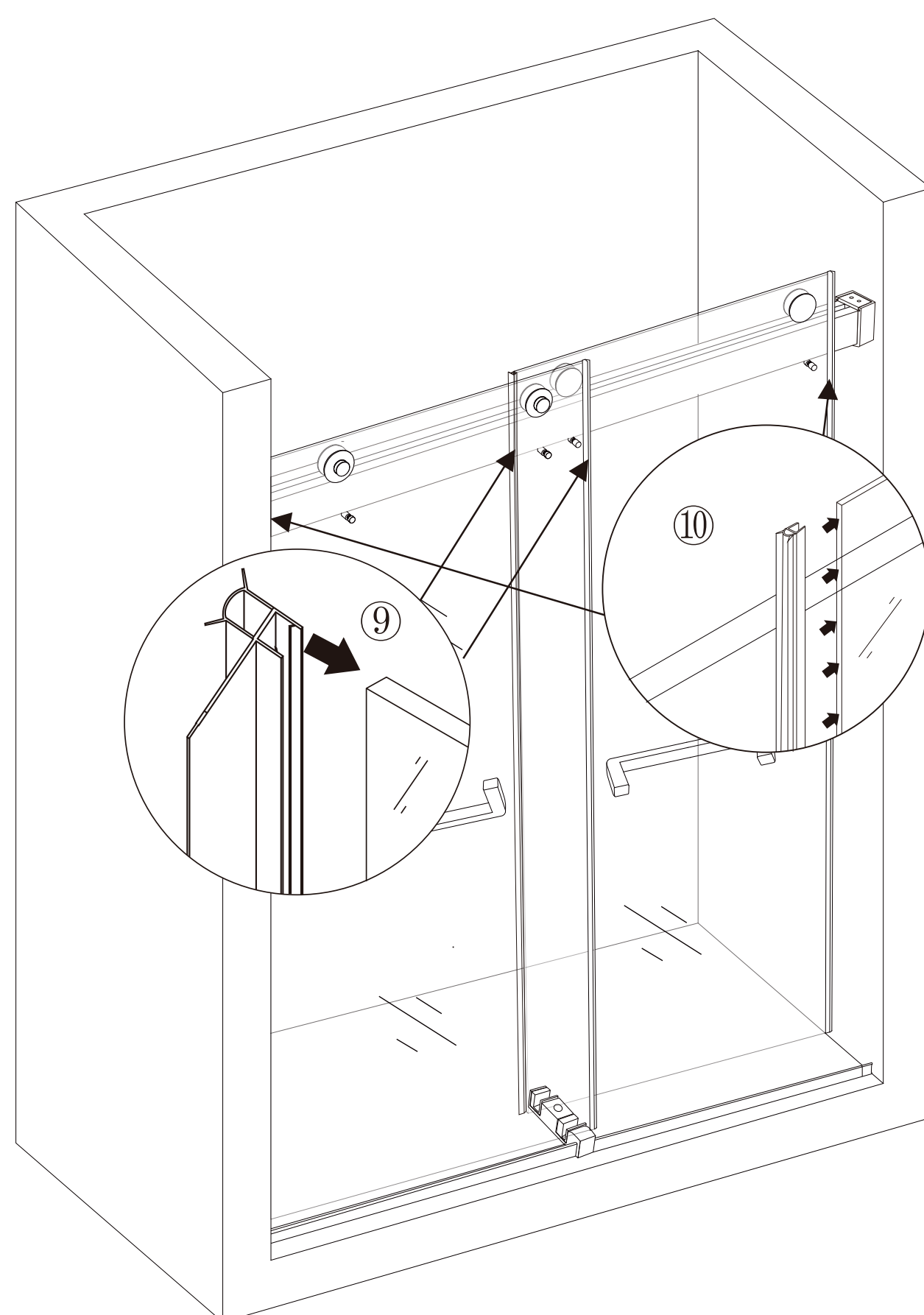
2. Insert Bottom Accessory of Upper Guide Rail (B) into Bottom Accessory of Upper Guide Rail(A) forms the complete Upper Guide Rail  
Install the Glass Door Buffers (O) into the two rails on each end of the upper connecting rod, two Buffers on each bottom end.

## Step 05



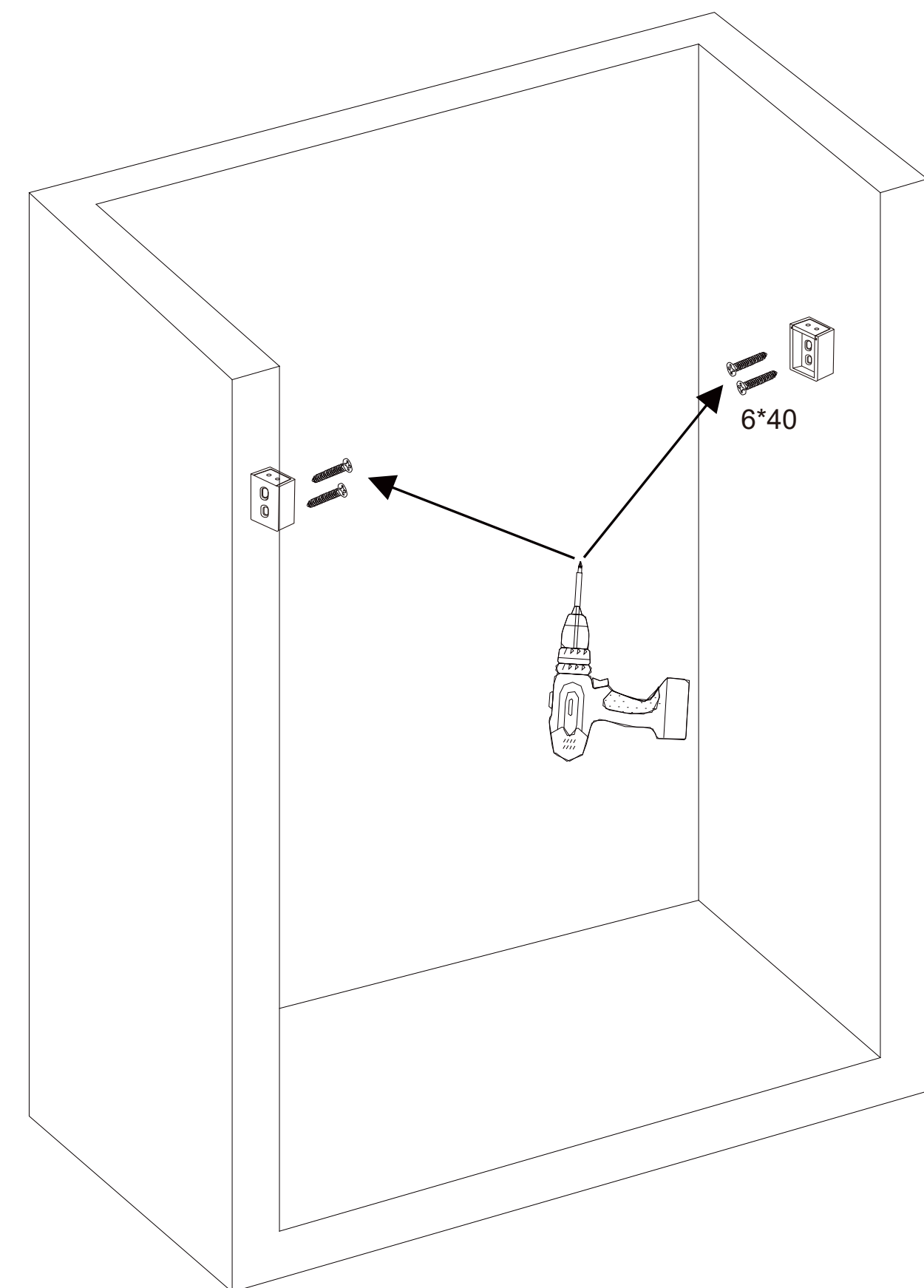
5. Assemble the Roller (F) and Door Handle(H) on the two pieces of Door Glass(C) as shown.

## Step 08



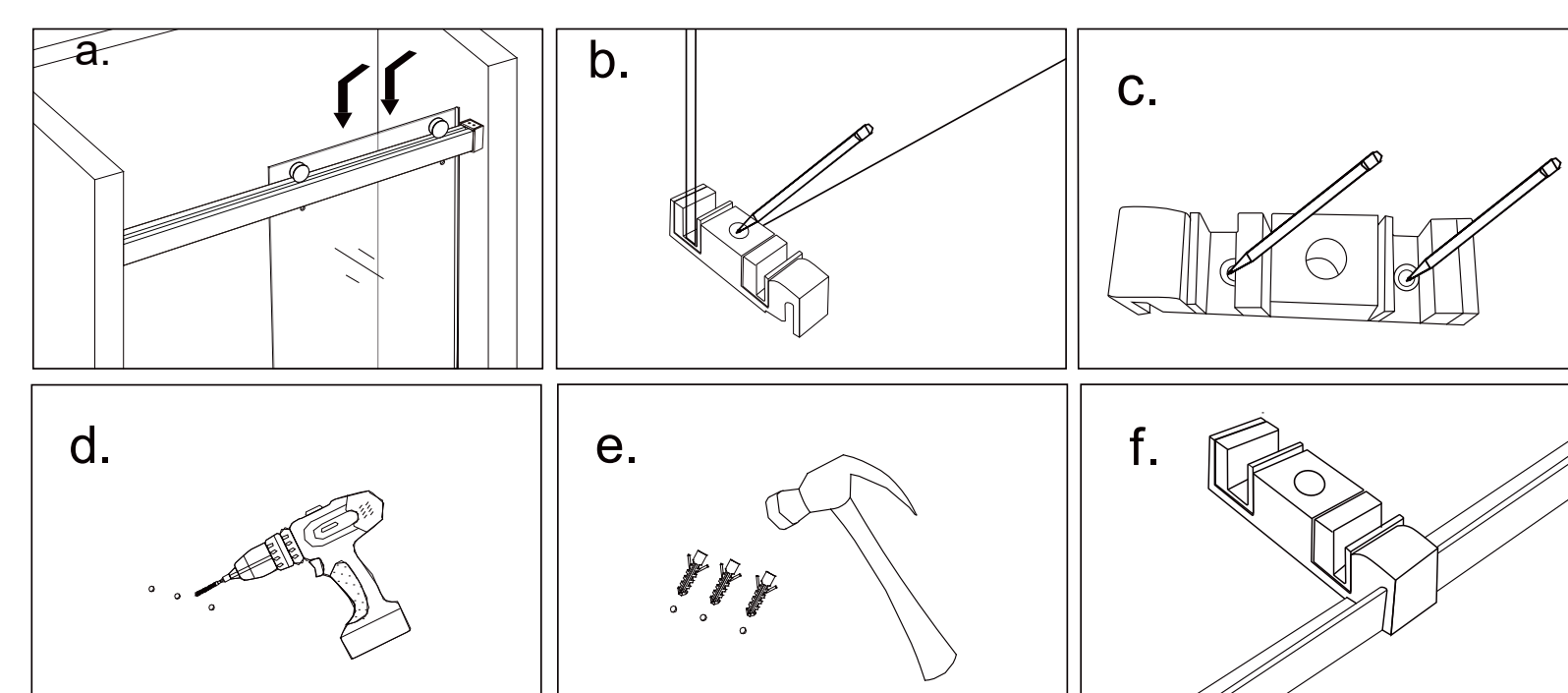
9. Slide the Water retaining strip (I) and (J) to the two Door Glass (#3).

## Step 03

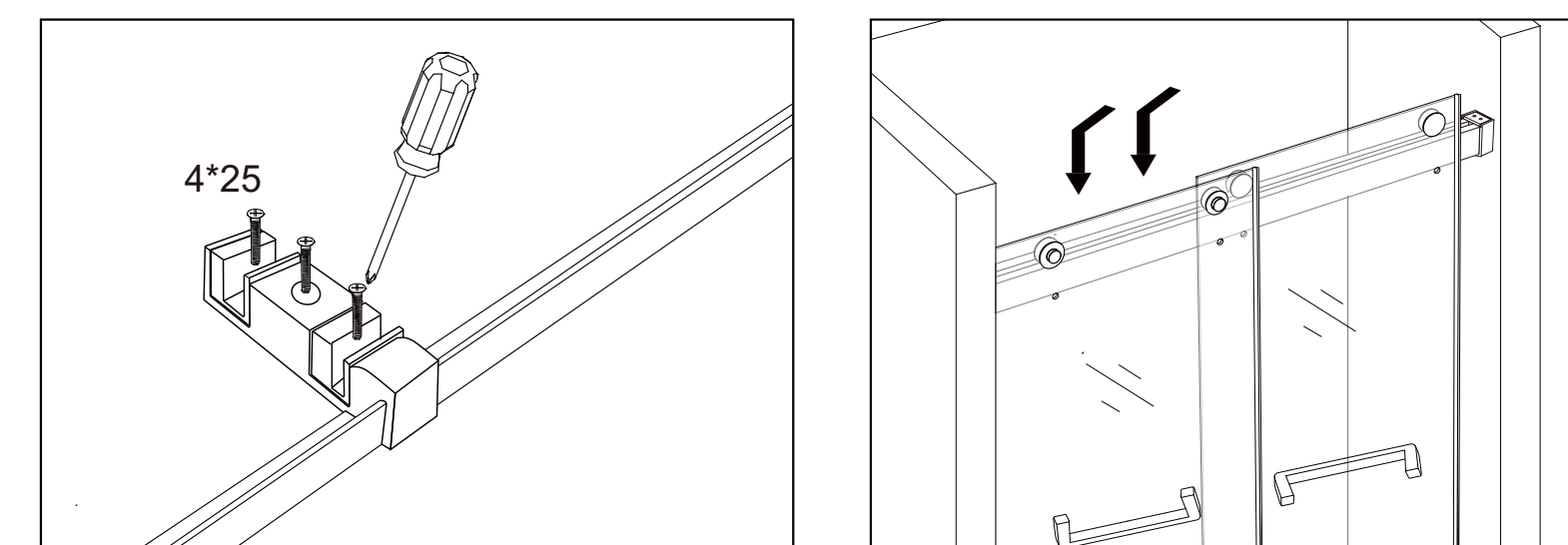


3. Fix the Guide Rail Bracket(D) to the wall on both sides with 6\*40 screws (L-1) as shown in the picture.  
The other side of the Guide Rail Bracket (D) is installed in the same way.

## Step 06



6. Hang the glass door (C) assembly on the upper guide rail (B).  
Make sure the rollers roll on the tracks of the upper guide rail (B). Then slide the bottom edge of the glass door into the groove of the bottom guide block(E). Make sure the door glass is vertical and the bottom guides (E) are centered left and right, then mark the hole locations for the bottom guides as shown. Remove the door glass and drill and apply silicone to the hole, then insert the plastic wall anchor (K).  
Hold the Anti-Splash Threshold (N) against the shower floor, making sure the Threshold is level. Then place the bottom guide block (E) on the Anti-Splash Threshold (N) and coincides with the hole position.



7. Secure the Bottom Guide Block (E) to the floor using the Screw M4x25 (L-2).  
Hang the two Door Glass(C) Assembly to the Upper Guide Rail (B) and then slide the bottom edge of the glass door into the groove of the Bottom Guide Block (E). Make sure that the roller is rolling against the track of the Upper Guide Rail (B).

## Step 09



10. Apply silicone sealant on the seams between the anti-splash Threshold (N) and the shower floor.  
**MUST ALLOW SILICONE TO DRY FOR 24 HOURS BEFORE STARTING USING THE SHOWER**