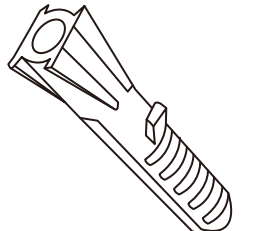
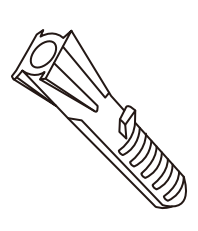
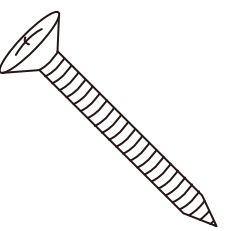
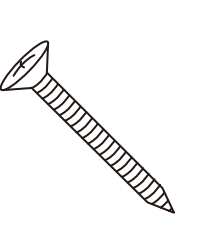
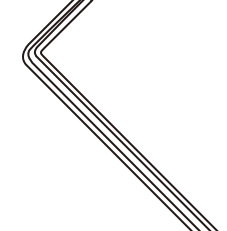
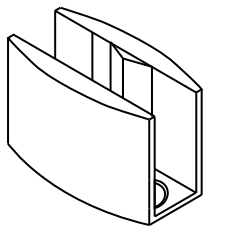
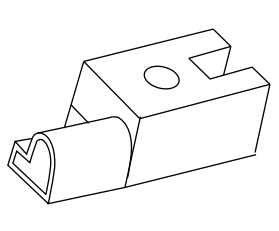
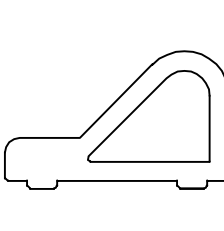
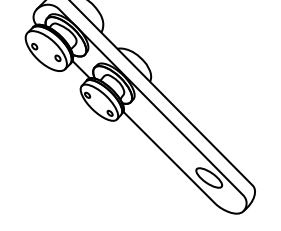
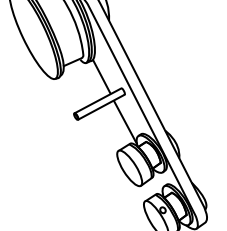
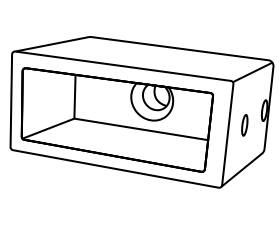
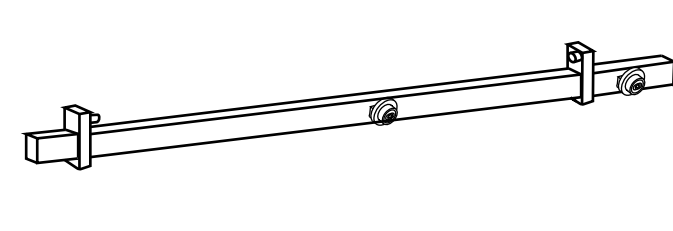
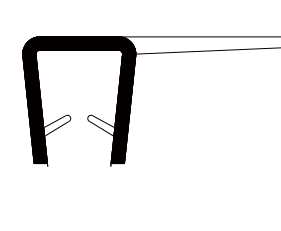
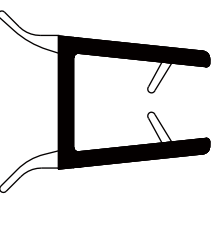
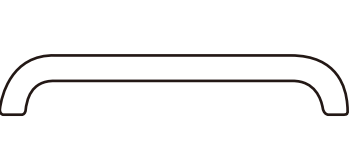
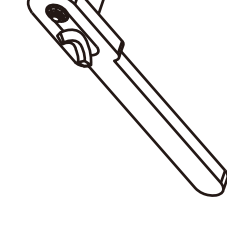
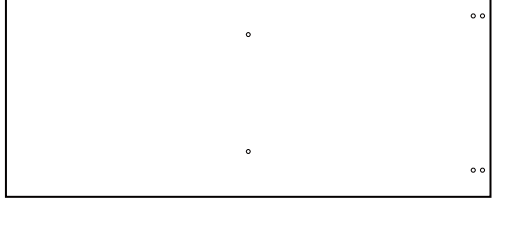


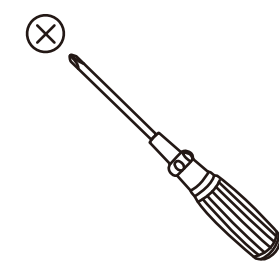
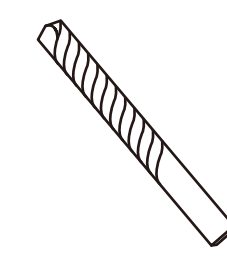
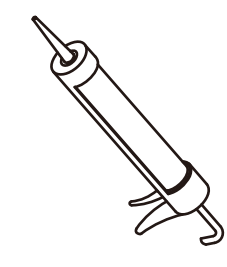
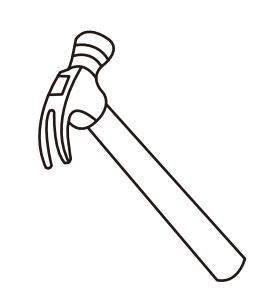
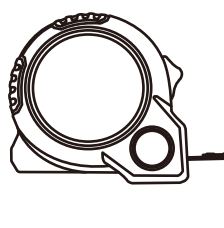
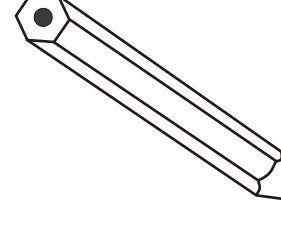
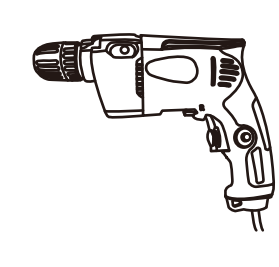
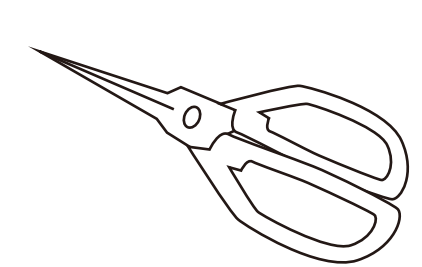
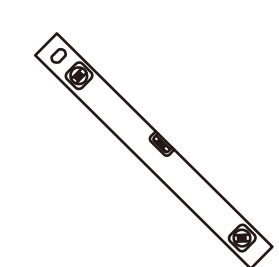
Shower Door 24D211

Check carefully after opening the box. Make sure there are no missing pieces and the shower doors do not have any cracks. During installation, please be careful with the corners of the glass doors. They are very fragile. After the shower doors are installed, the sliding doors should be parallel to each other to open and close smoothly, without gaps or water seepage, and the shower and the bottom basin should be sealed with silicone between them.

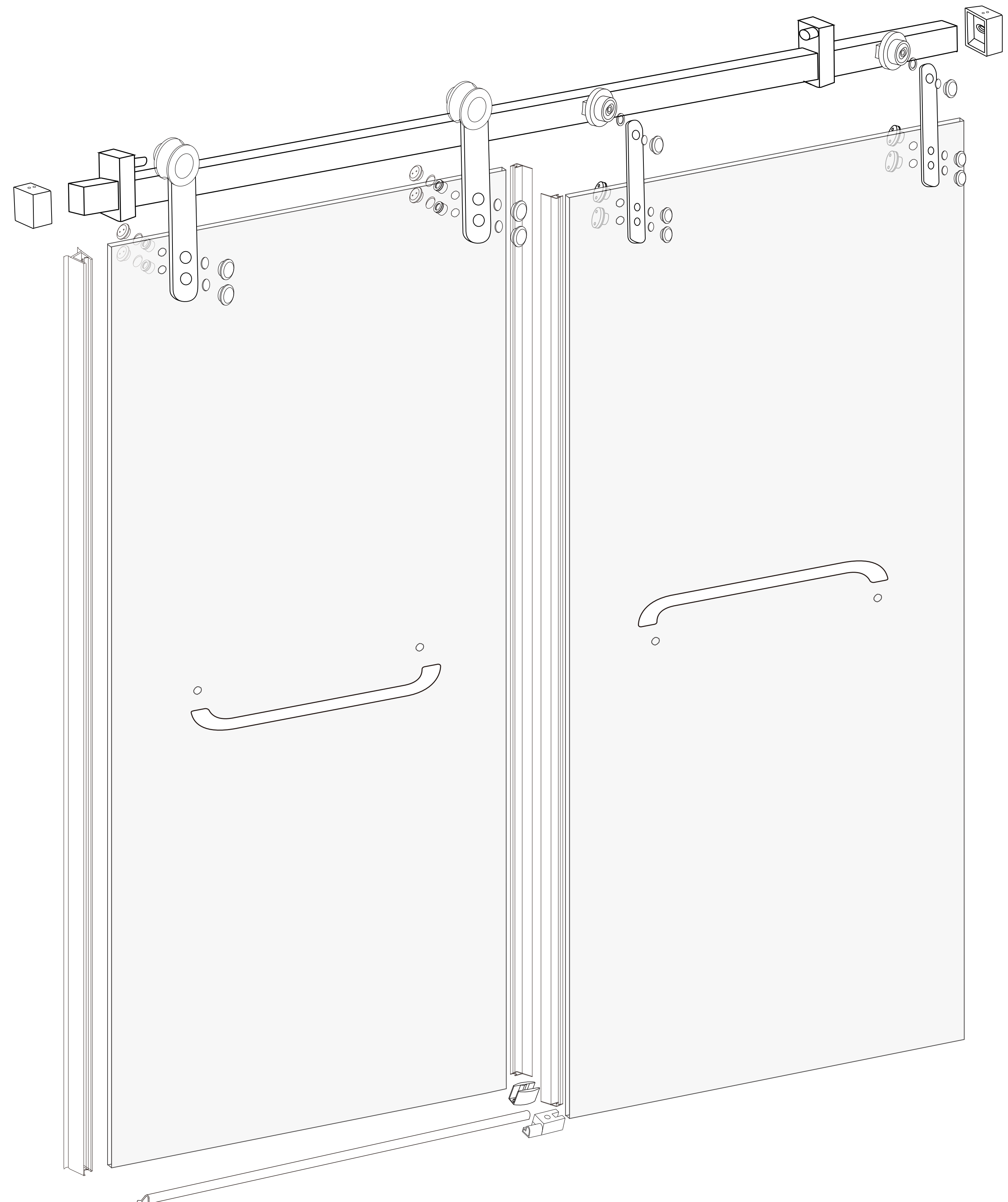
Parts list

| | | | | | | |
|---|---|---|---|--|---|---|
|  A-1×2 Internal accessories length: 35mm |  A-2×2 Internal accessories length: 25mm |  B-1×2 Internal accessories length: 40mm |  B-2×2 Internal accessories length: 30mm |  C×2 Internal accessories Nail bit |  D×1 Internal accessories size: 44*22*31mm |  E×2 Internal accessories length: 38mm |
|  F×1 Internal accessories length: 28mm |  G×2 Internal accessories length: 156mm |  H×2 Internal accessories length: 190mm |  I×2 Internal accessories size: 48*22*34mm |  J×1 Internal accessories Frame accessories |  K×2 Internal accessories Water blocking |  L×1 Internal accessories Water blocking |
|  M×2 Internal accessories Handle |  N×1 Internal accessories Nail bit |  O×2 Internal accessories Glass | | | | |

Tools Not Included

| | |
|---|---|
|  Phillips screwdriver Tools needed |  Assorted Drill Bits Tools needed |
|  Glue gun Silicone Nail bit |  Adjustable Wrench Nail bit |
|  Internal accessories Tools needed |  Internal accessories Tools needed |
|  Percussion Drill Tools needed |  Internal accessories Tools needed |
|  Level Tools needed | |

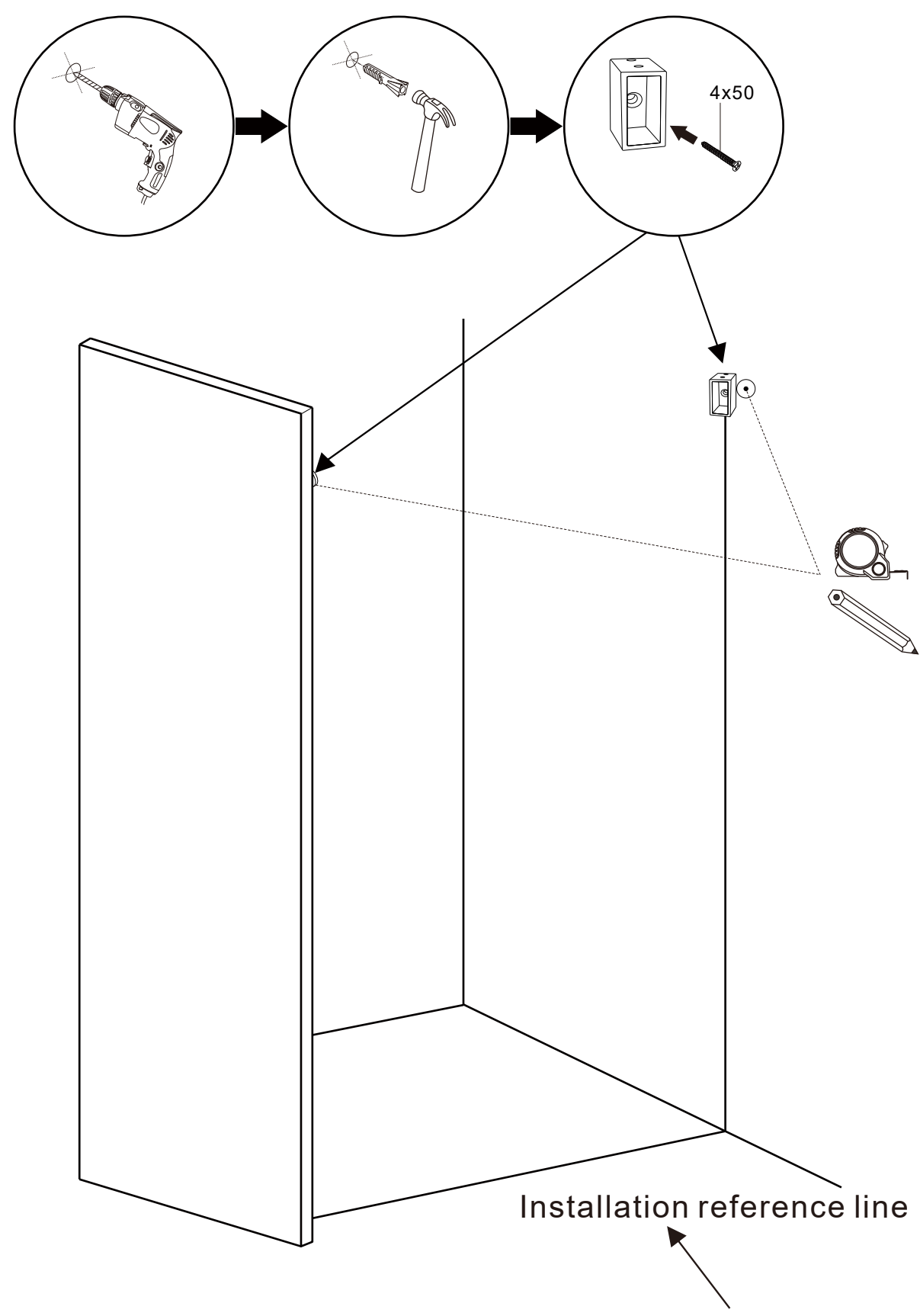
Package contents



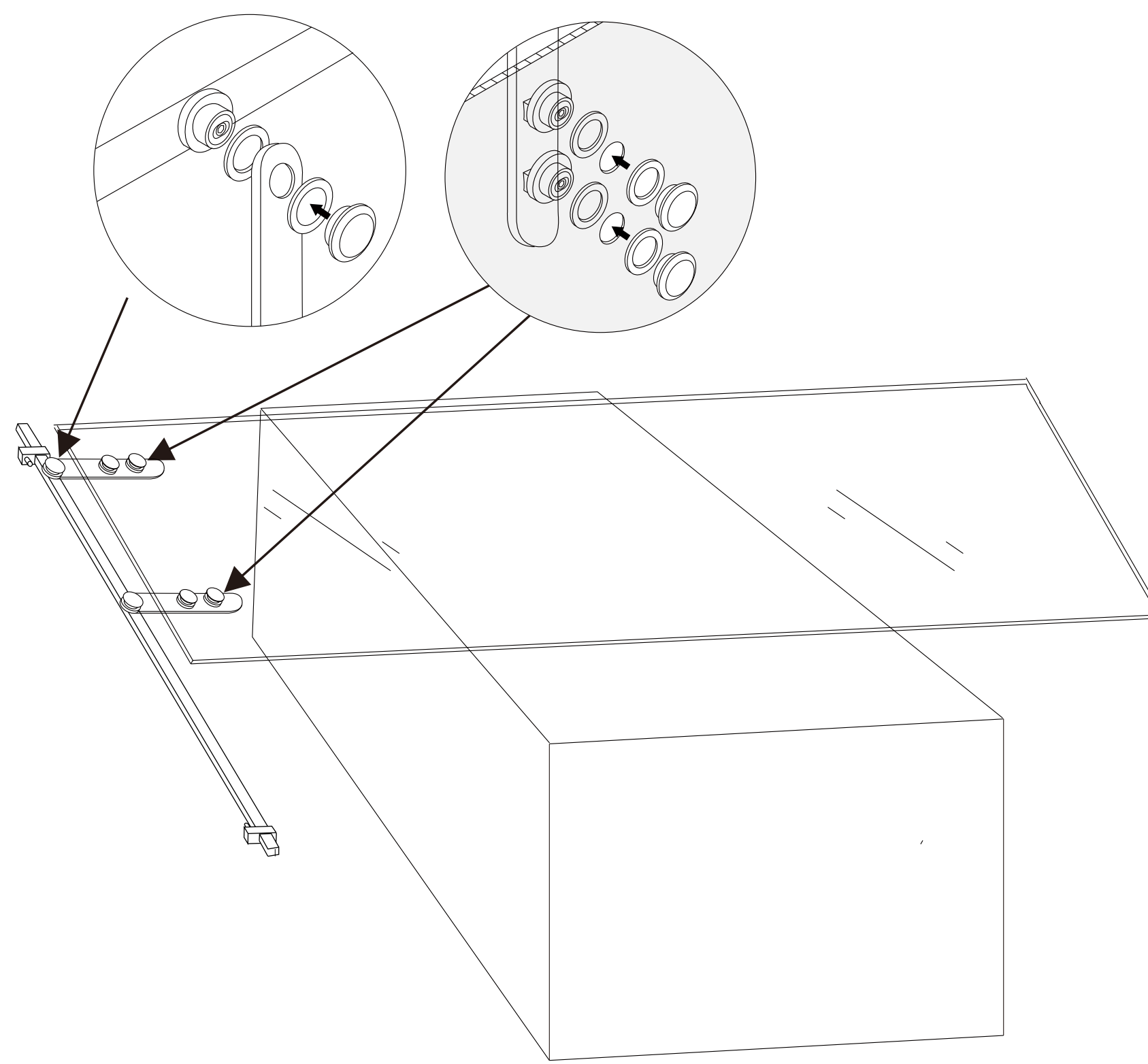
The following instructions will guide you through the installation of a sliding shower door.

*Glass doors can be installed on either side.
 Frame parts will need to be flipped over to install the sliding door on the left or right side.

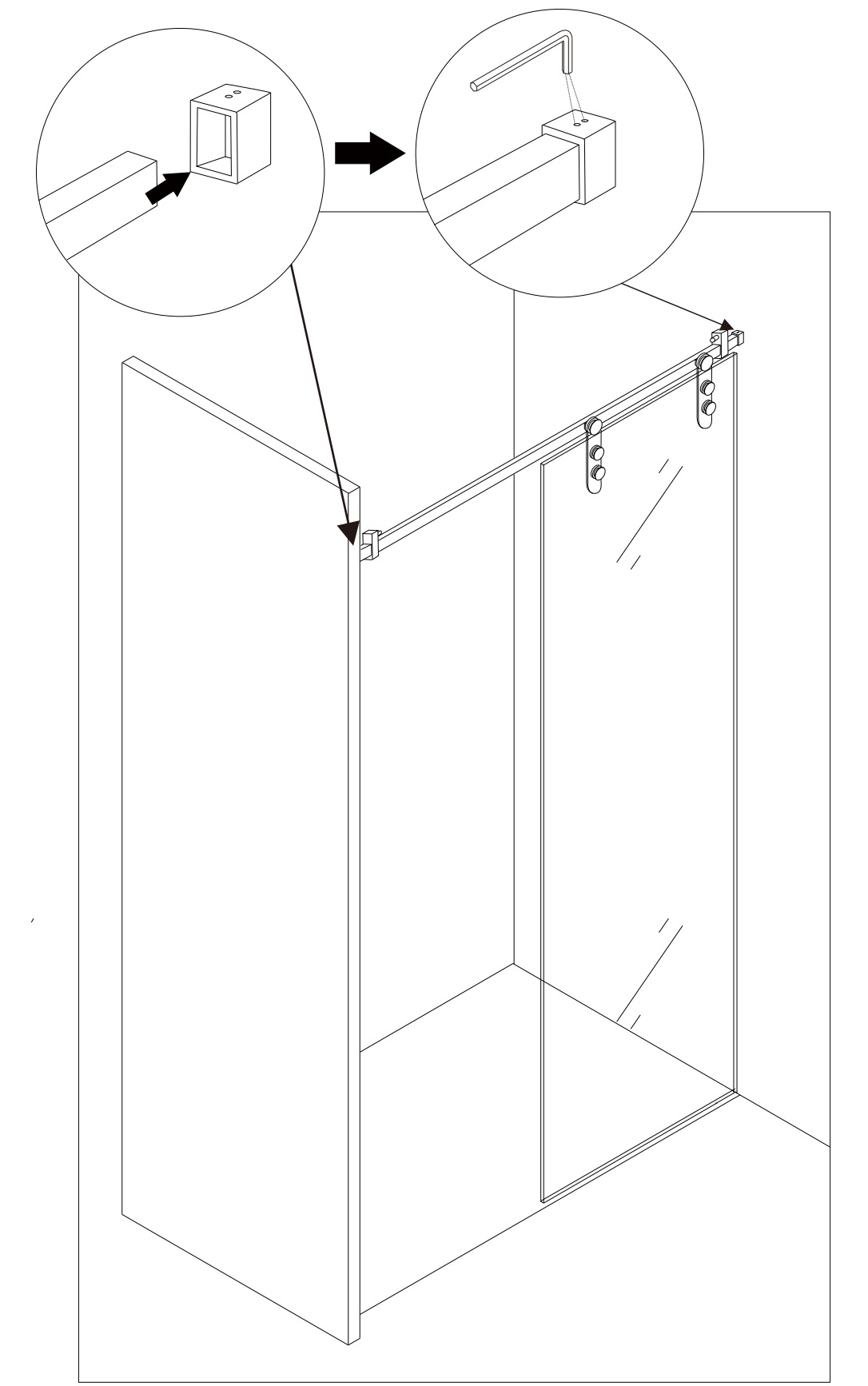
Step 01



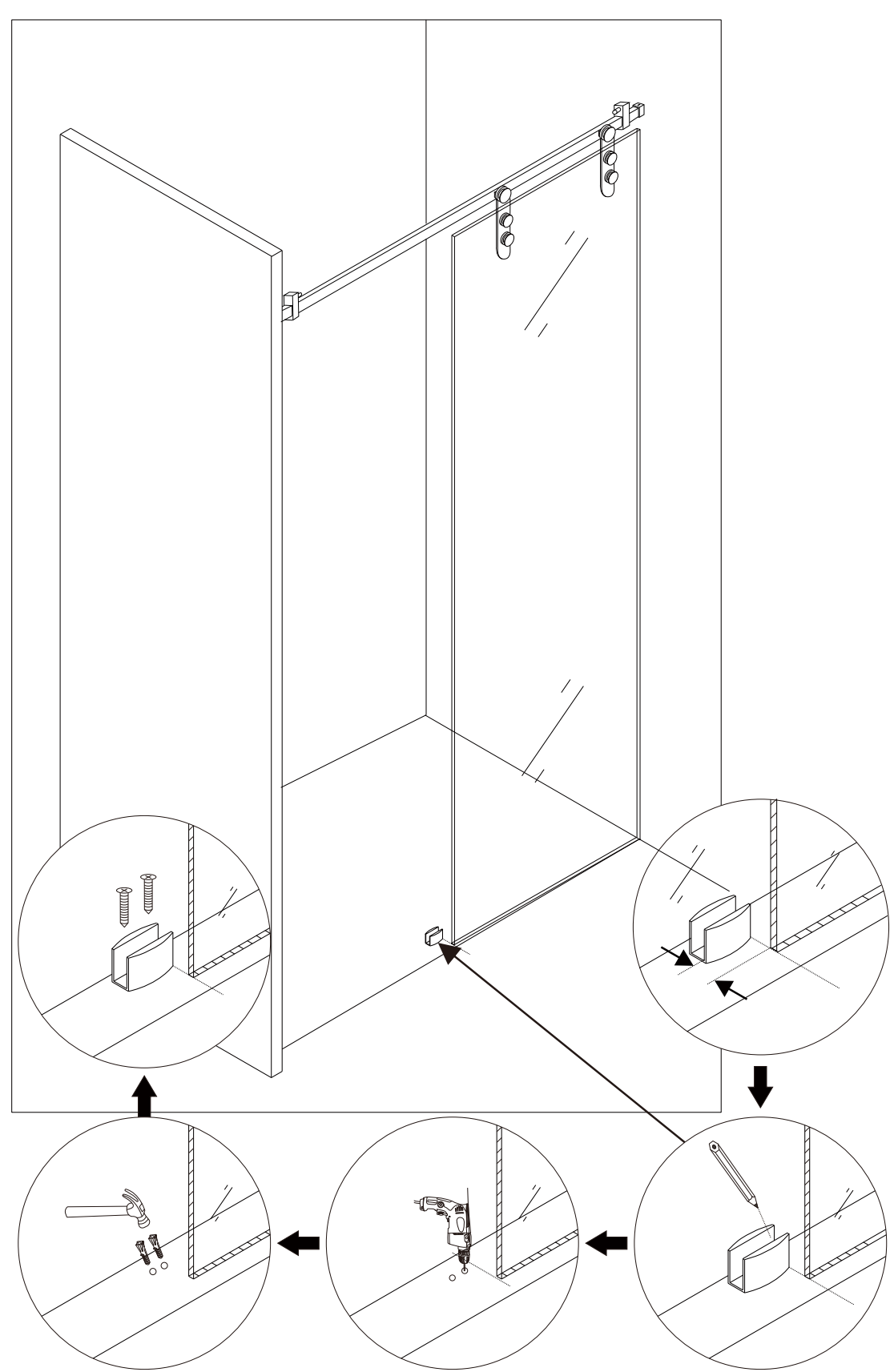
Step 02



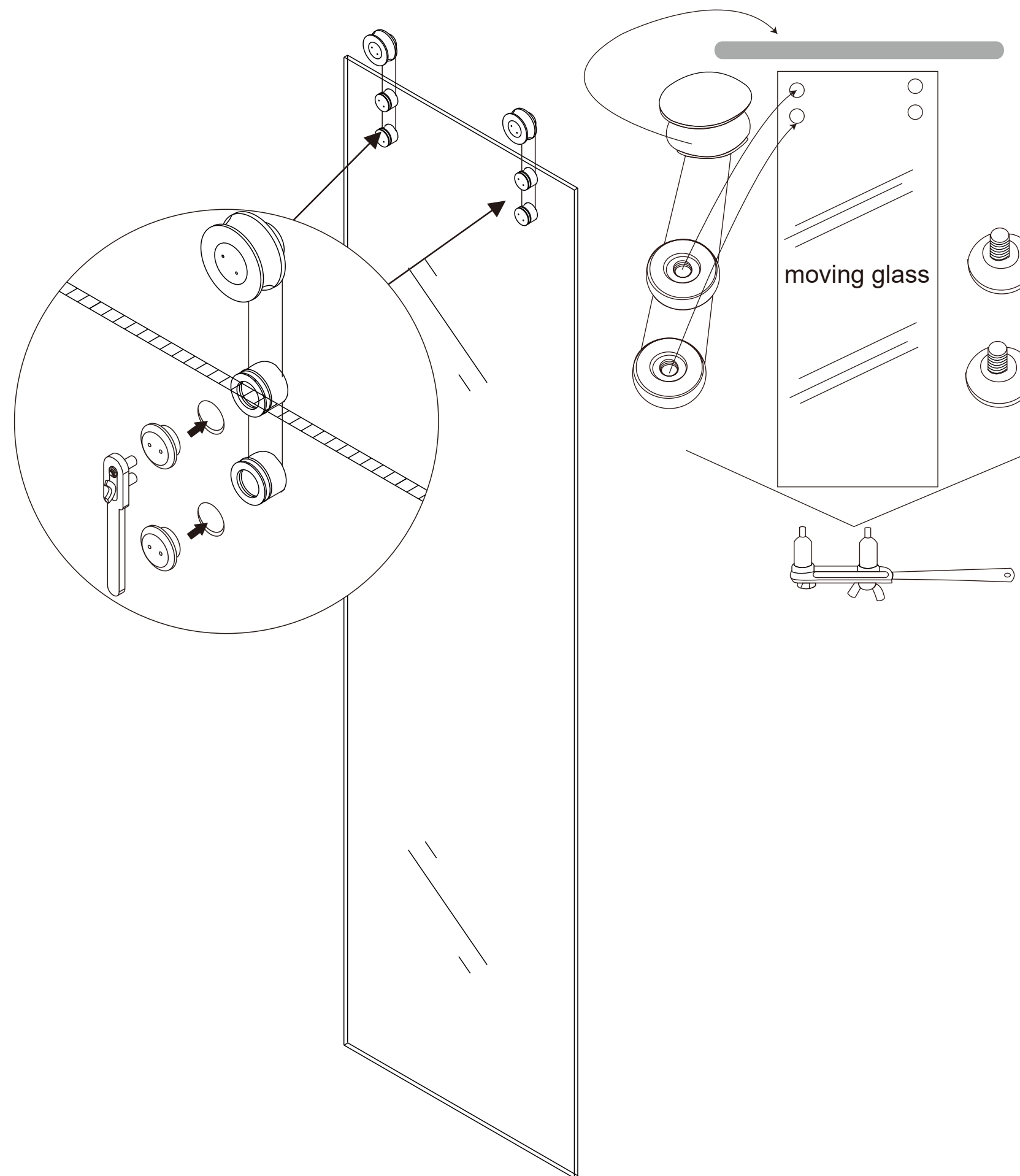
Step 03



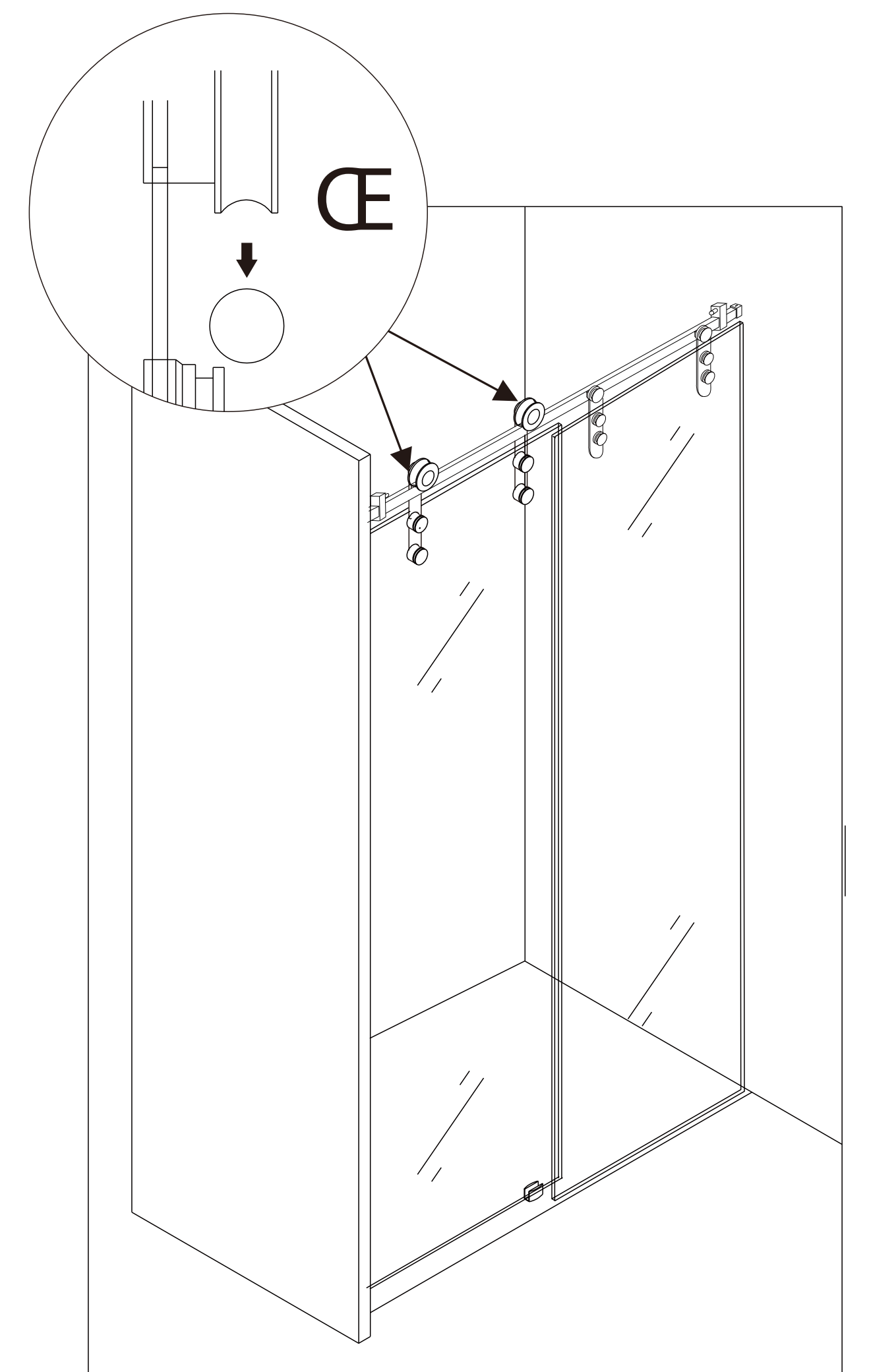
Step 04



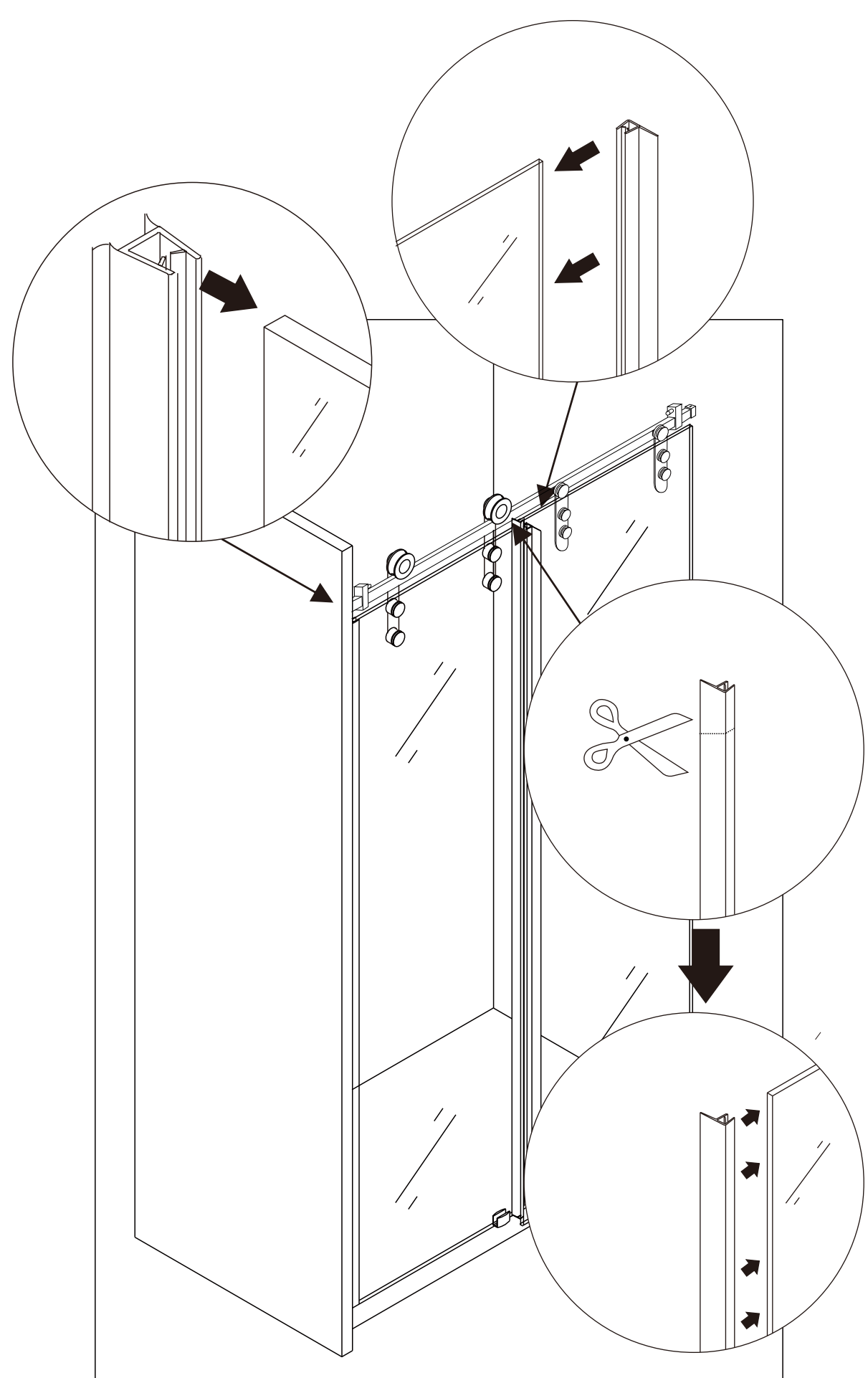
Step 05



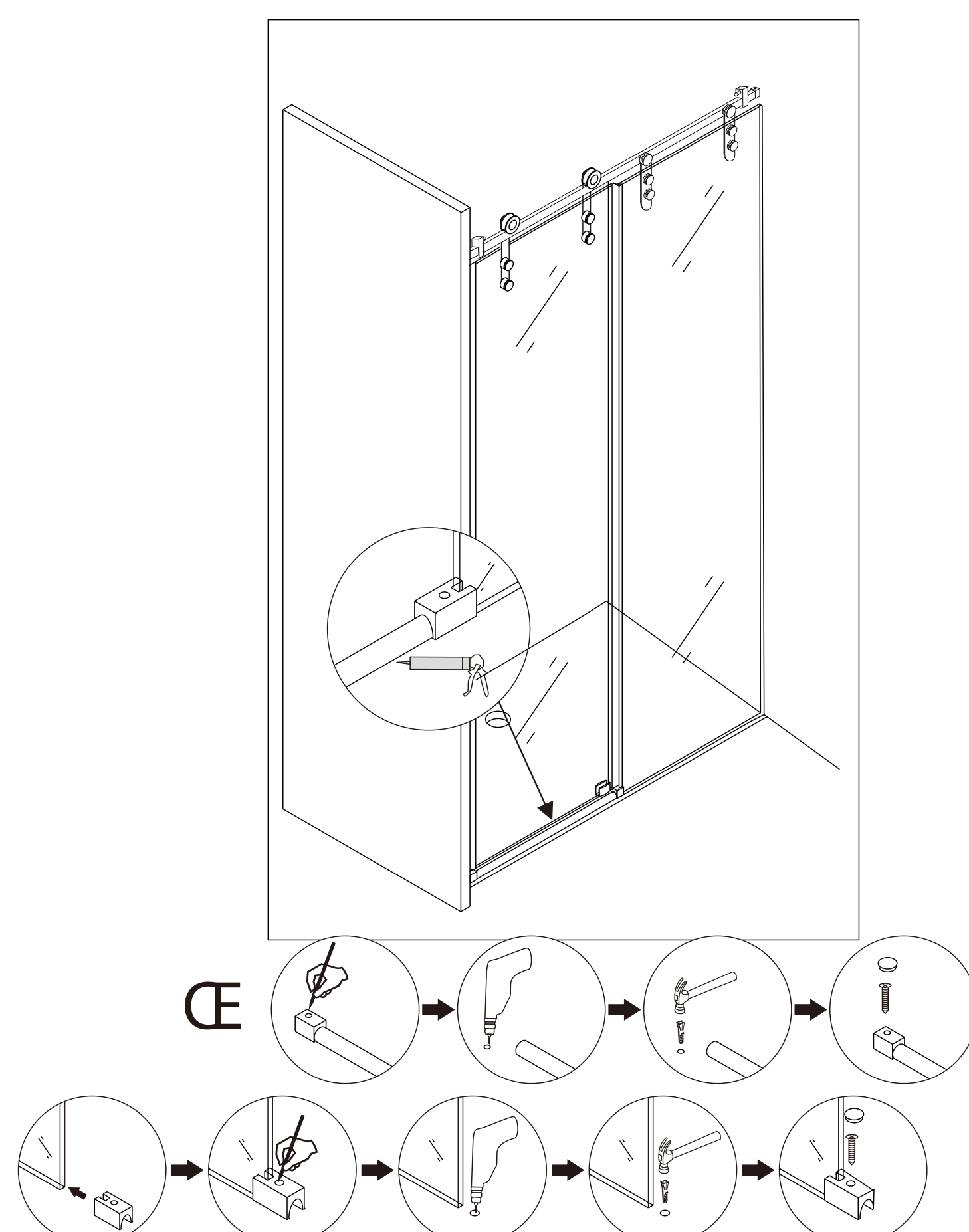
Step 06



Step 07



Step 08



Step 09

