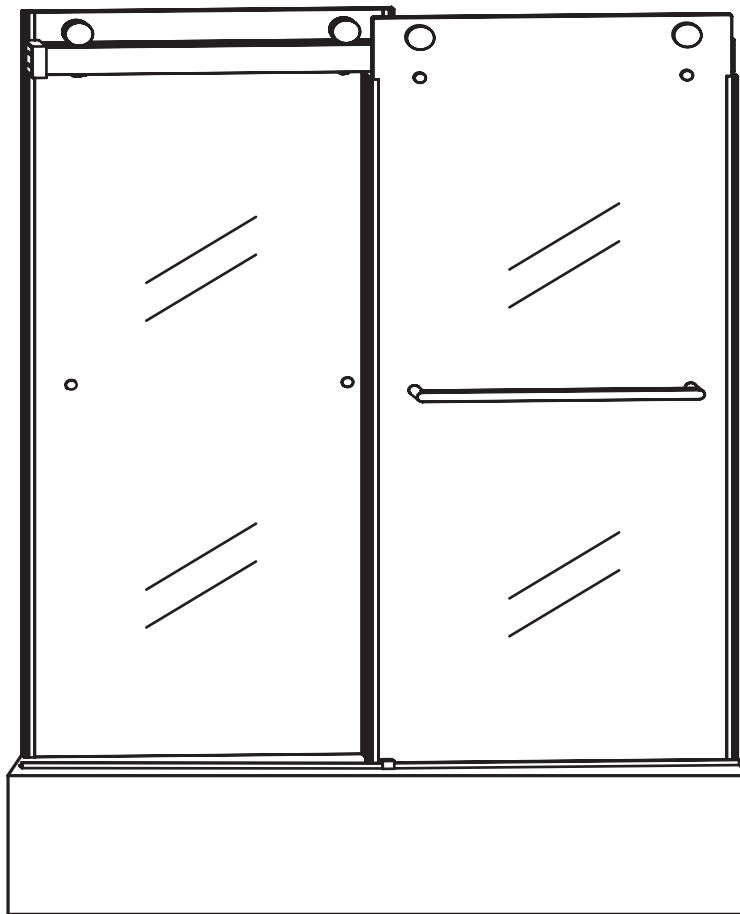
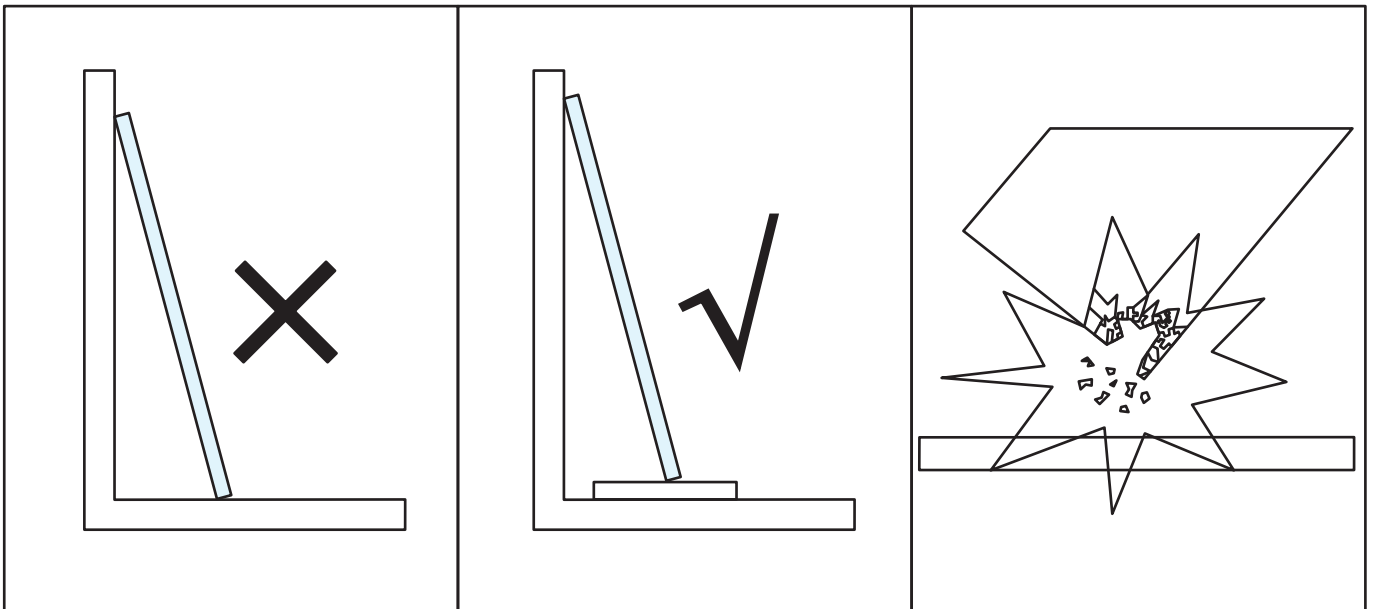
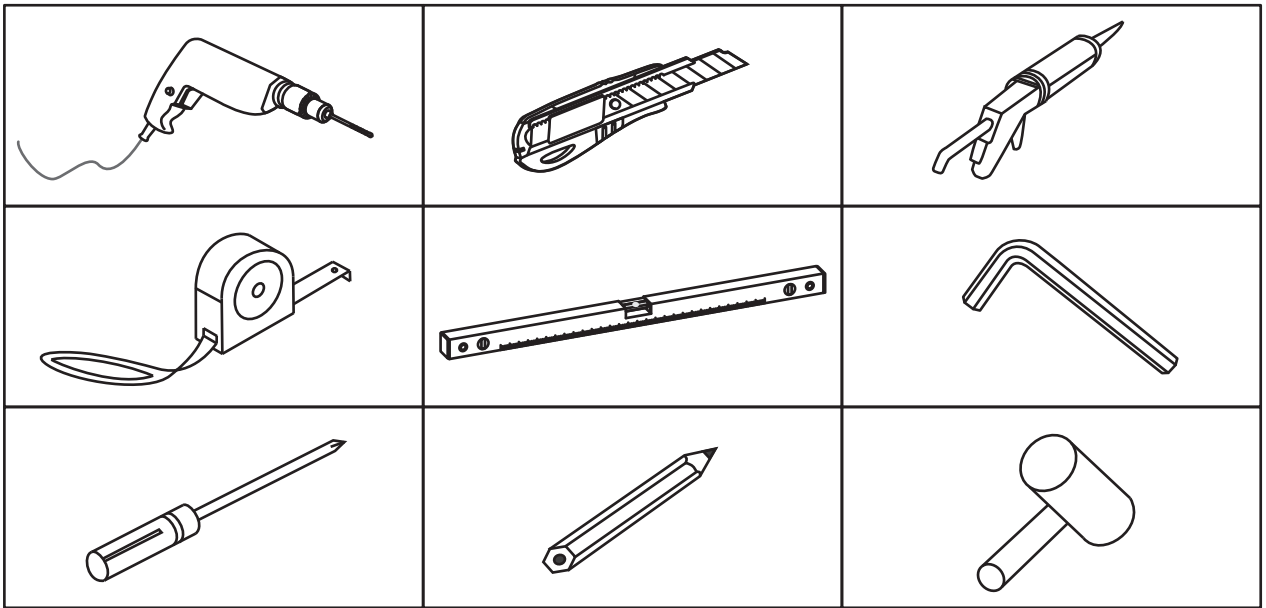
















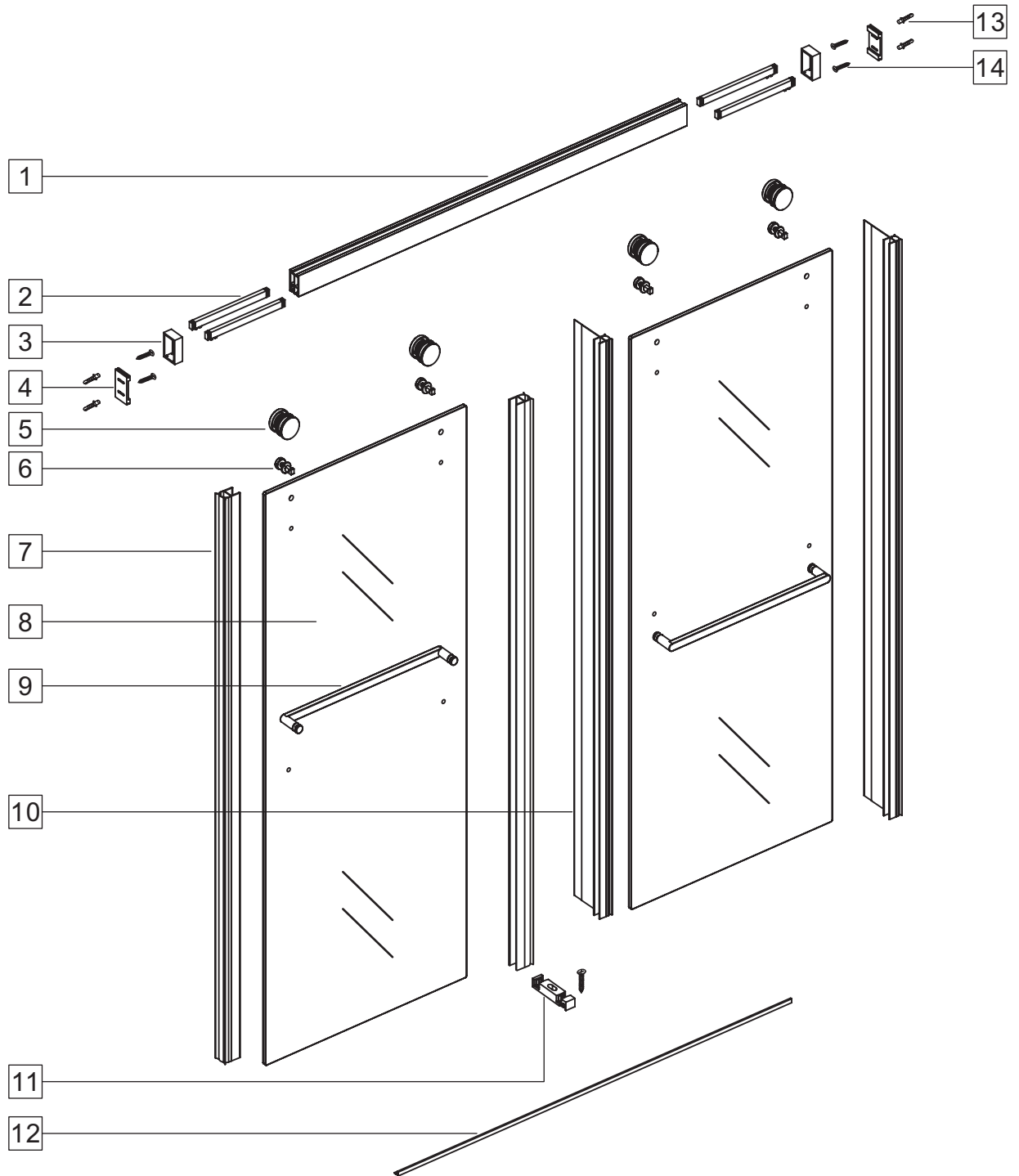
# INSTALLATION MANUAL



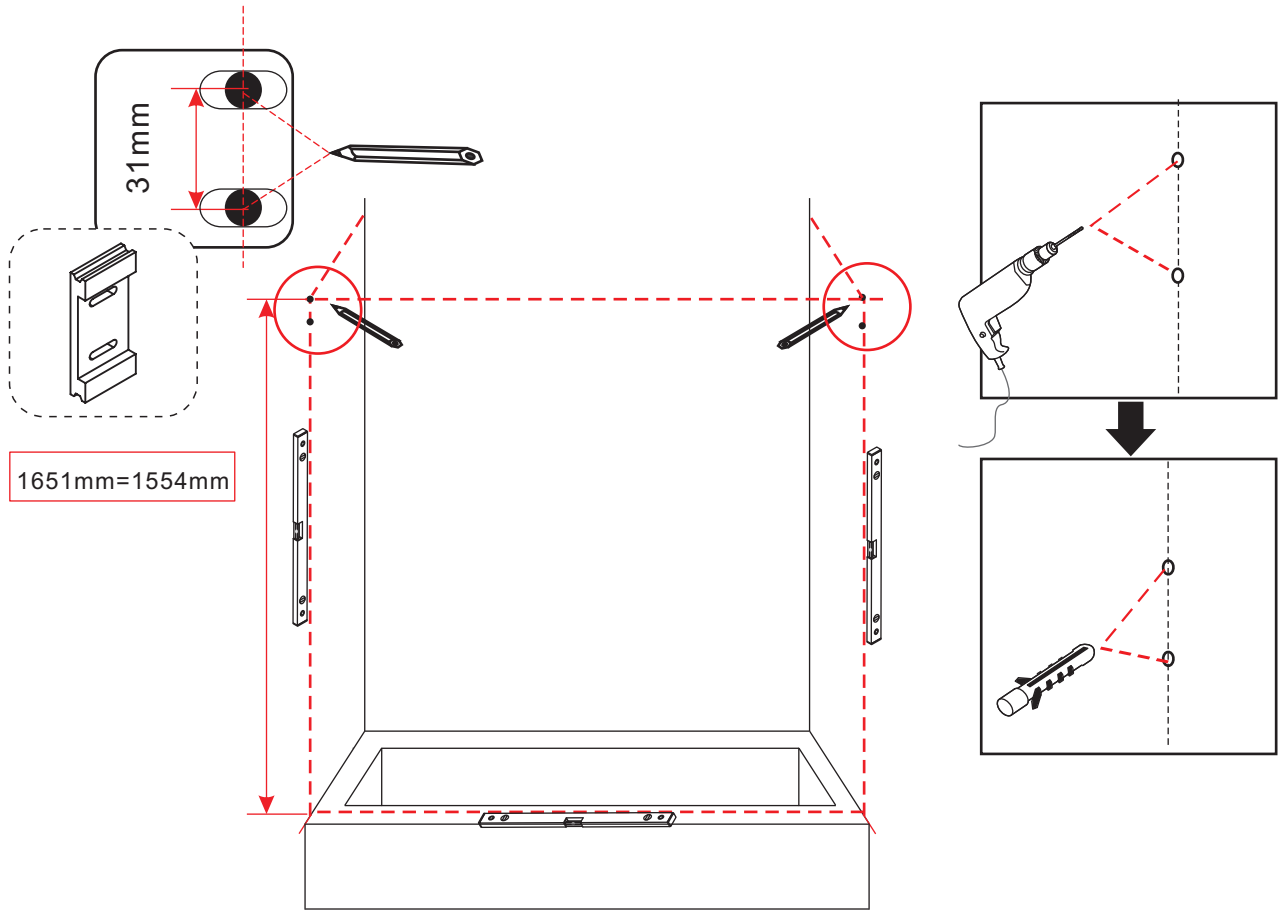
*RoHS* (E) ISO9001:2015



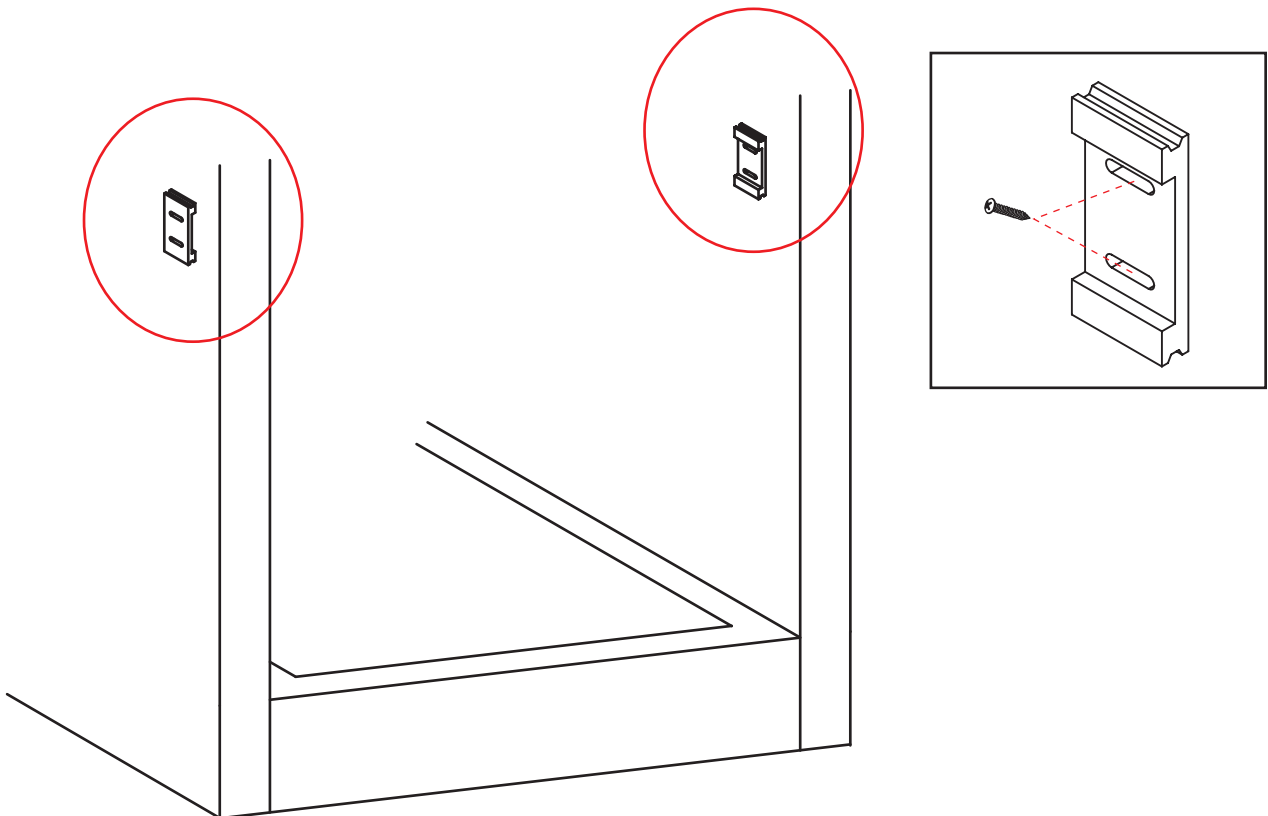
Serial Number	Graphical	Name	Quantlty	Remark
1		rail	1 PCS	
2		buffer (optional)	4 PCS	
3		wall bracket	2 PCS	
4		wall mounting	2 PCS	
5		roller	4 PCS	
6		anti-jumping knob	4 PCS	
7		door seal	2 PCS	
8		sliding door	2PCS	
9		towel bar	2 PCS	
10		fixed panel seal	2PCS	
11		guide block	1 PCS	
12		anti-splash threshold	1 PCS	
13		M7 x 28	5 PCS	
14		M4 x 30	5 PCS	



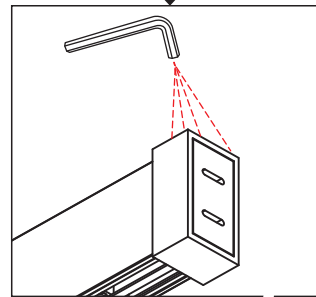
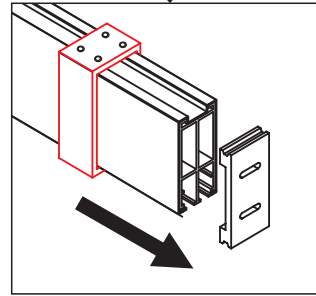
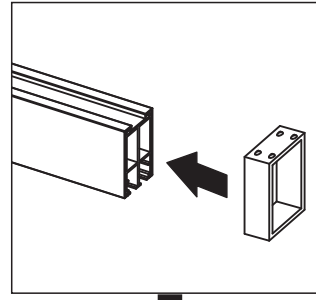
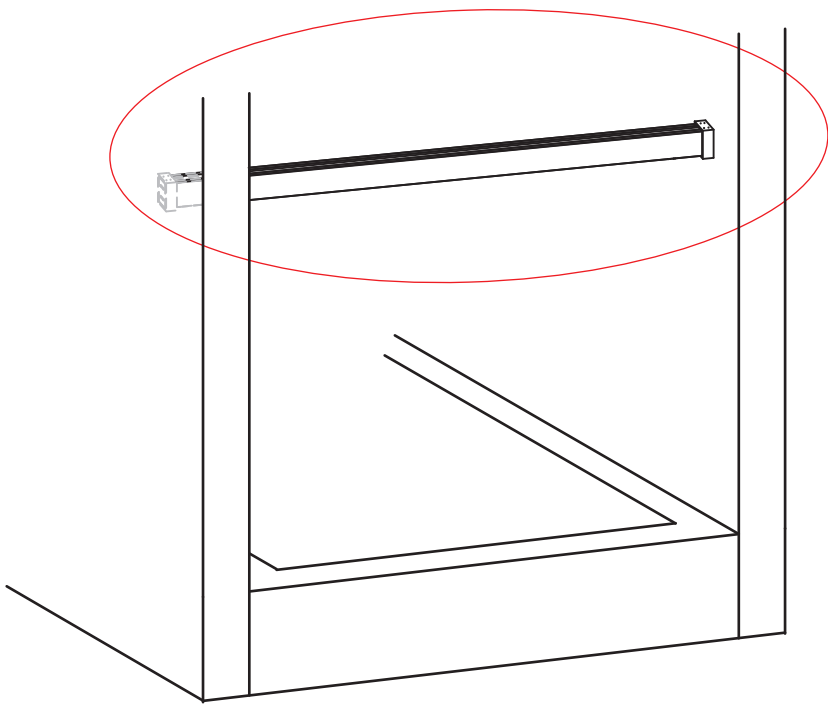
1



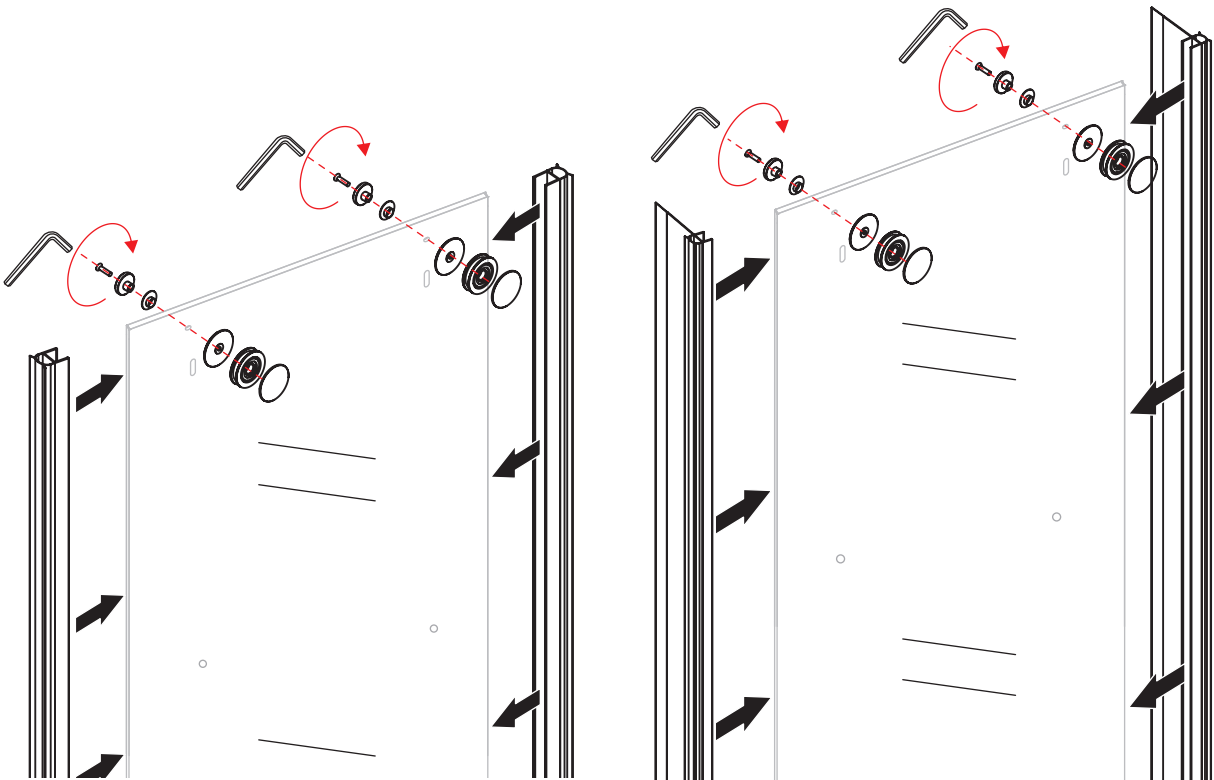
2



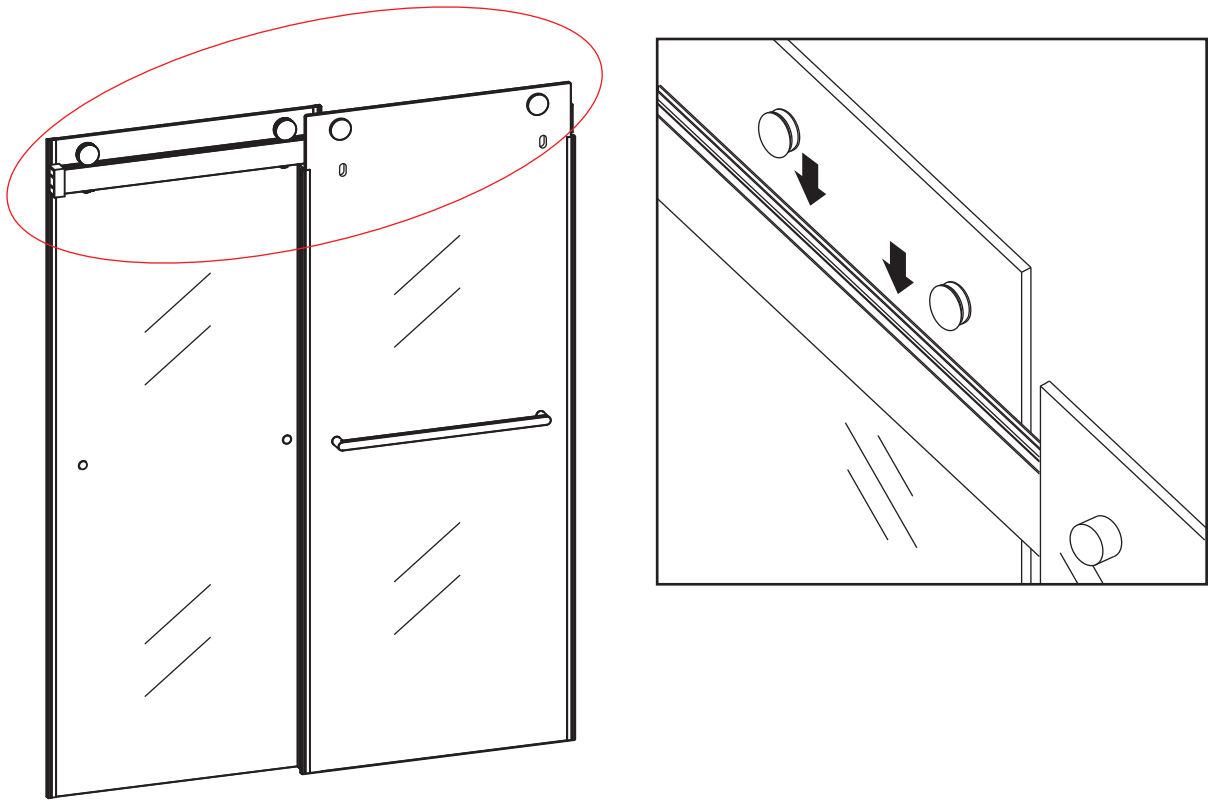
3



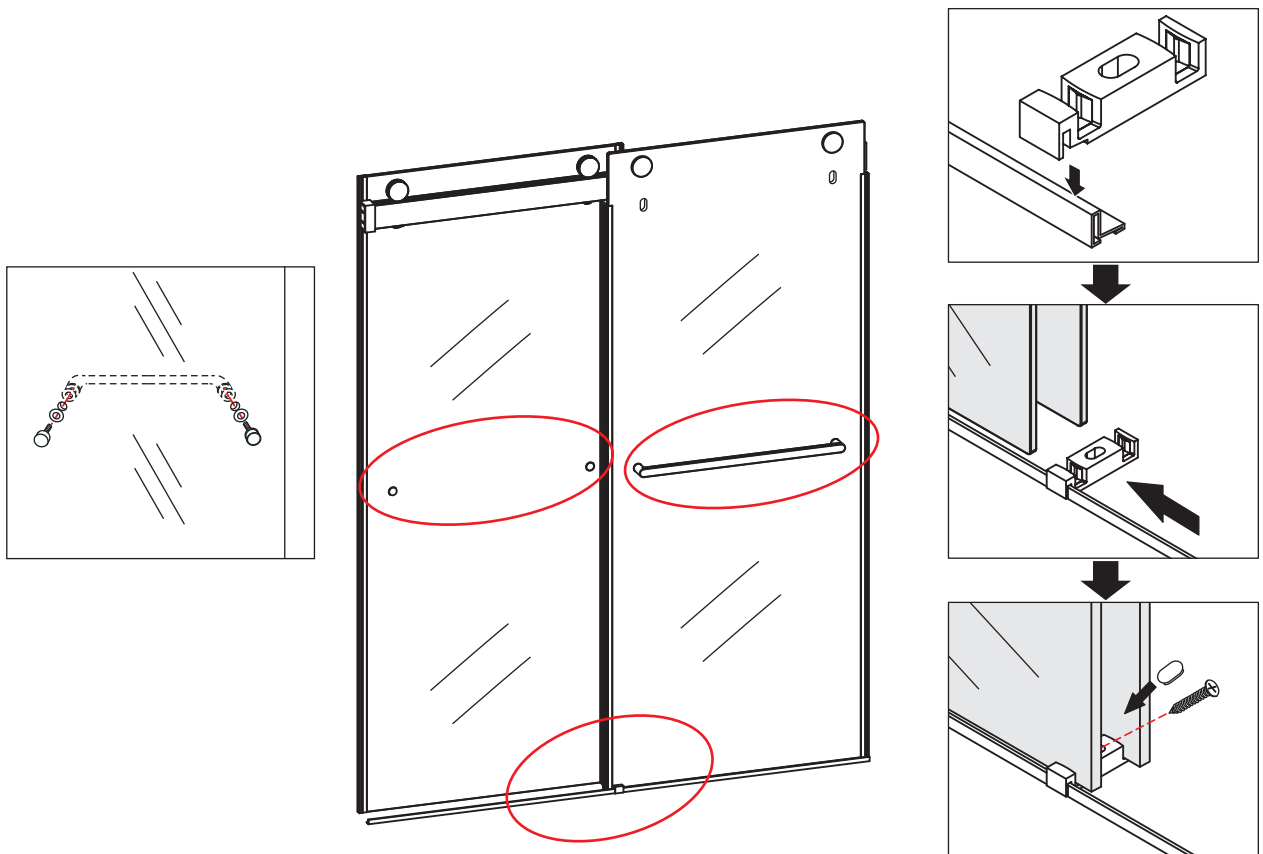
4



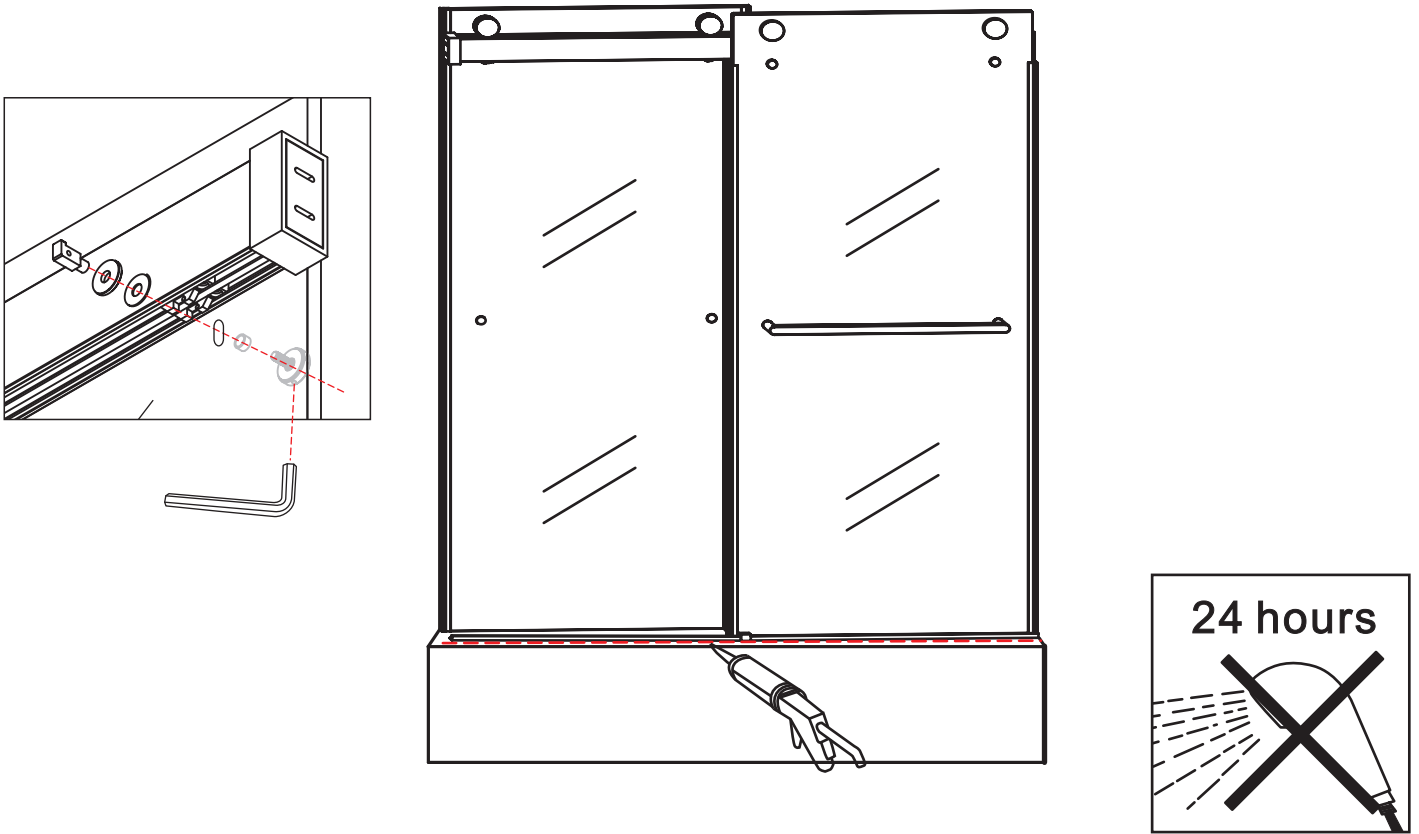
5



6



7



8 Please adjust the Rollers as the picture shows when the door not vertical at all.

