

Edi

Natural cement finish, double drawers, touch the beauty of industry.



Cabinet:

Material: MFC (Melamine faced chipboard)

Color: 6562 Deep Cement Grey

Environment Certification: E1

Design: High quality cement grey panel with black quartz sand basin, strong industrial style.

Handle: Unique T shape hidden handle+ 45° bevelled invisible handle, precision Design

Drawer running system: The DTC silent damping guide rail of drawers work very quietly

Patent: ABS material ultra-thin u-shaped drainage pipeline access, offering more storage space while keeping nice look

Hanging System: H90

Basin:

Material: Quartz sand integrated basin

Color: Matte black

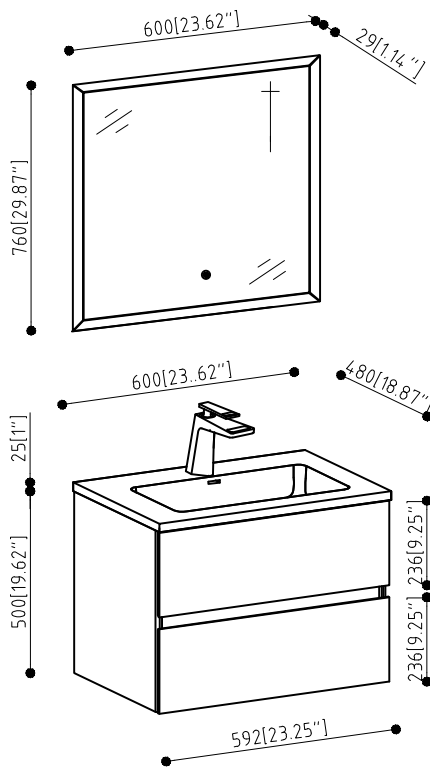
Features: One body Integrated molding, seamless workmanship, matte black texture, love at first sight

Mirror:

Material: LED silver mirror

Design: Rectangle design

Features: High definition mirror with invisible light belt, turning on and off by touching, makes you safer at night.



Edi-24"

Cabinet :

23.25*18.7*19.62inch (W*D*H)
 GW :25kg NW:23kg
 CBM:0.2m³

Basin:

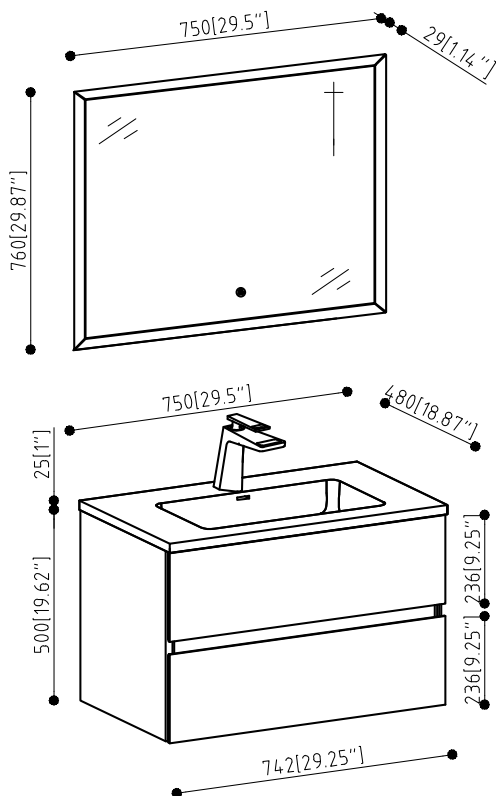
23.62*18.87*5.9inch(W*D*H)
 GW :13kg NW:12kg
 CBM:0.1m³

Mirror :

23.62*1.14*29.87inch(W*D*H)
 GW :7kg NW:6kg
 CBM:0.07m

Faucet:

6.3*2.6*6.7inch (W*D*H)



Edi-30"

Cabinet :

29.5*18.7*19.62inch (W*D*H)
 GW :29kg NW:26kg
 CBM:0.35m³

Basin:

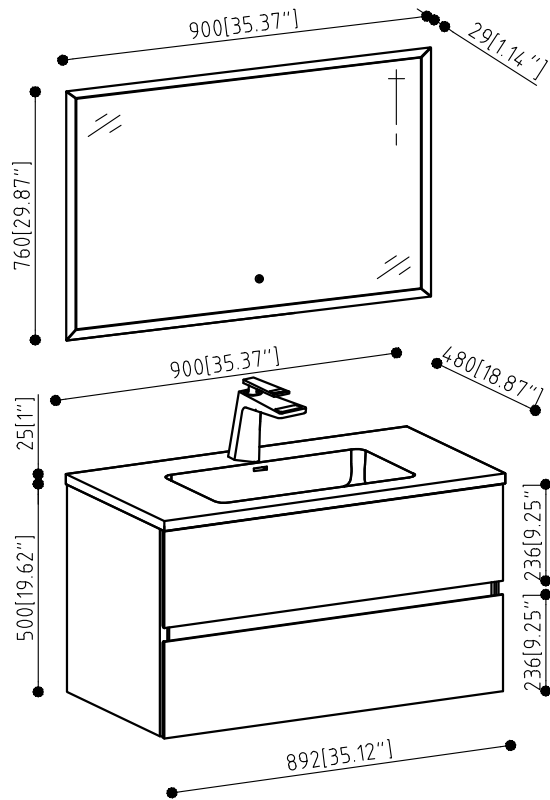
29.5*18.87*5.9inch(W*D*H)
 GW :16kg NW:14.5kg
 CBM:0.1m³

Mirror :

29.5*1.14*29.87inch (W*D*H)
 GW :9kg NW:6.5kg
 CBM:0.07m

Faucet:

6.3*2.6*6.7inch (W*D*H)



Edi-36"

Cabinet:

35.12*18.7*19.62inch (W*D*H)

GW :34kg NW:31kg

CBM:0.41m³

Basin:

35.37*18.87*5.9inch(W*D*H)

GW :18kg NW:17kg

CBM:0.11m³

Mirror :

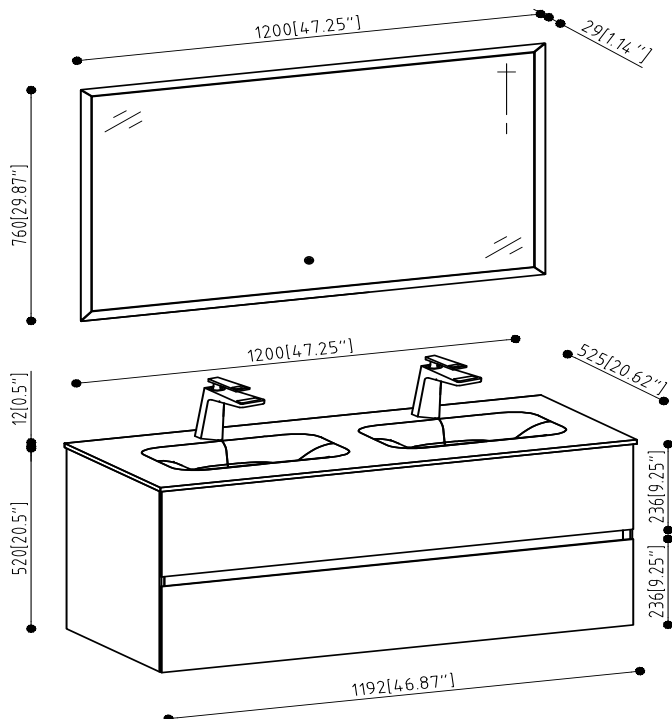
35.37*1.14*29.87inch (W*D*H)

GW :10.7kg NW:7.7kg

CBM:0.08m³

Faucet:

6.3*2.6*6.7inch (W*D*H)



Edi-48"

Cabinet :

46.87*18.7*19.62inch(W*D*H)

GW :43kg NW:41kg

CBM:0.4m³

Basin:

47.25*18.87*5.9inch(W*D*H)

GW :23.9kg NW:22kg

CBM:0.14m³

Mirror :

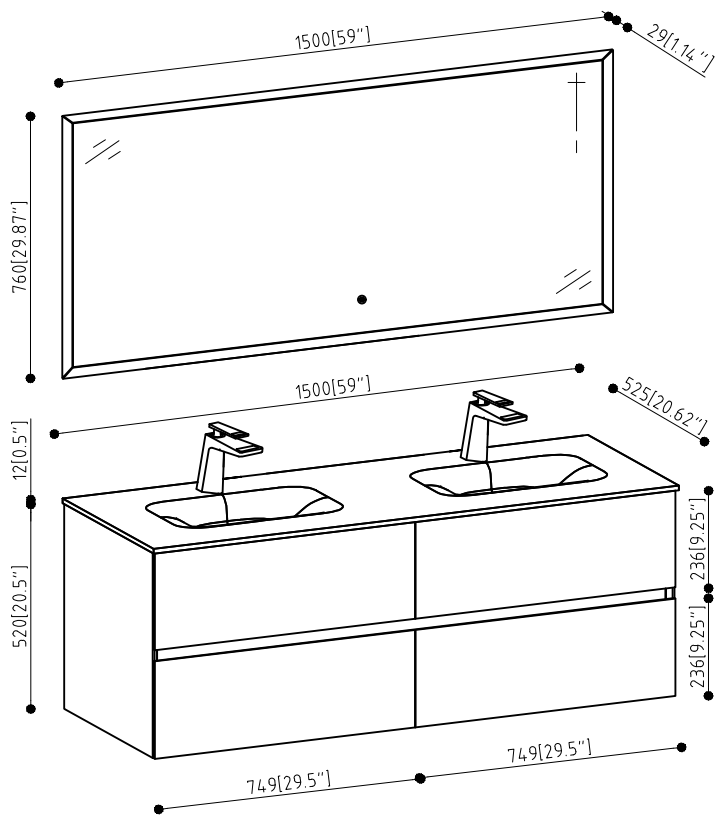
47.25*1.14*29.87inch

(W*D*H) GW :13kg NW:10kg

CBM:0.11m

Faucet:

6.3*2.6*6.7inch (W*D*H)



Edi-60"

Cabinet :

59*18.7*19.62inch (W*D*H)

GW :63kg NW:59.5kg

CBM:0.49m³

Basin:

59*18.87*5.9inch(W*D*H)

GW :30kg NW:28kg

CBM:0.17m³

Mirror :

59*1.14*29.87inch (W*D*H)

GW :16kg NW:12.5kg

CBM:0.13m³

Faucet:

6.3*2.6*6.7inch (W*D*H)