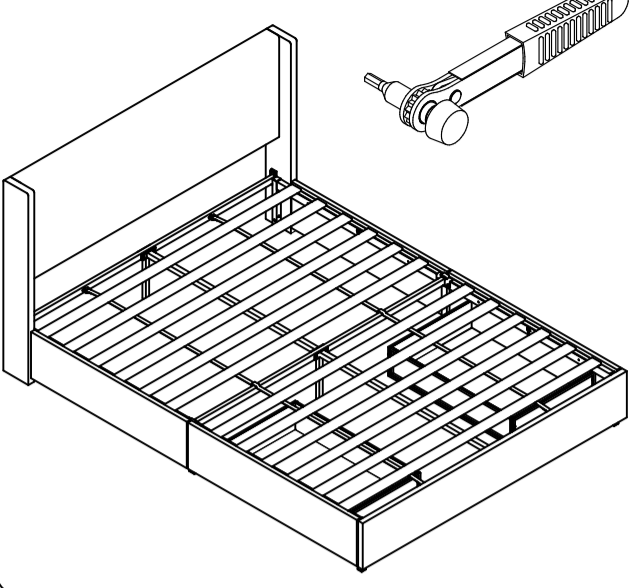


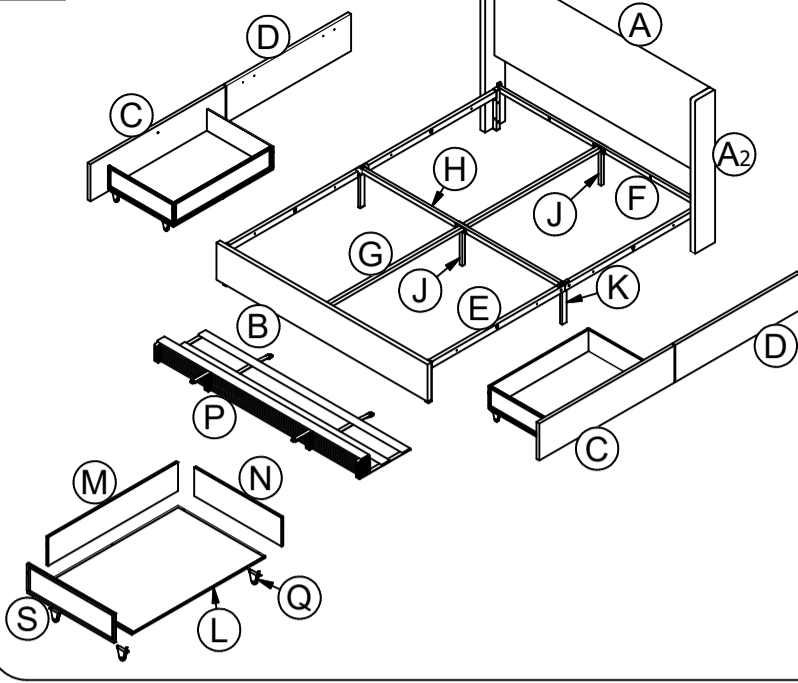
**When replacement request, please tell us Component Alphabet and Model Number.**

**▲ Weight Limit: 1000 LBS / 454 KG**



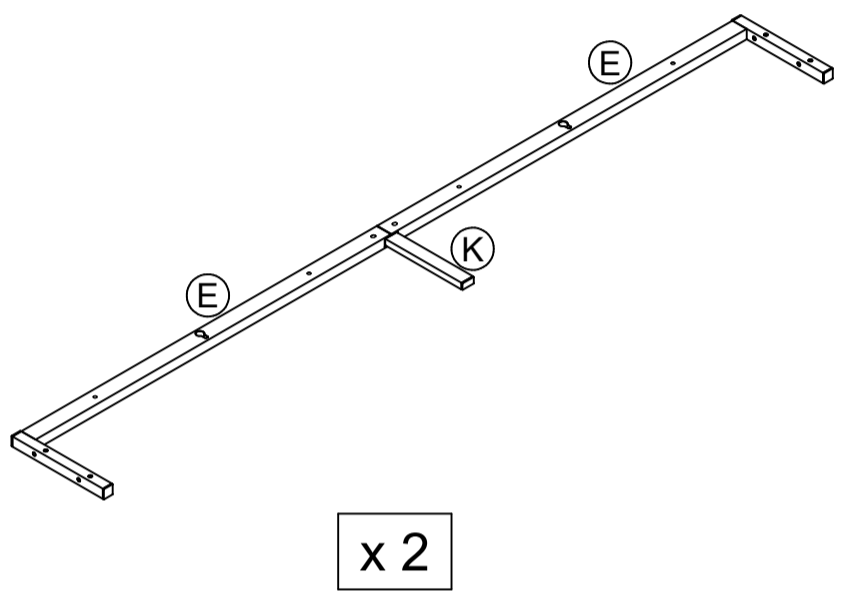
1		1/4"*17mm	6
2		1/4"*18mm	2
3		1/4"*35mm	12
4		1/4"*40mm	8
5		5/16"*25mm	4
6		3/16"*20mm	20
7		1/4"	6
8		1/4"	4
9		4mm Allen Key	1
10		Wrench	1

# 1 Components

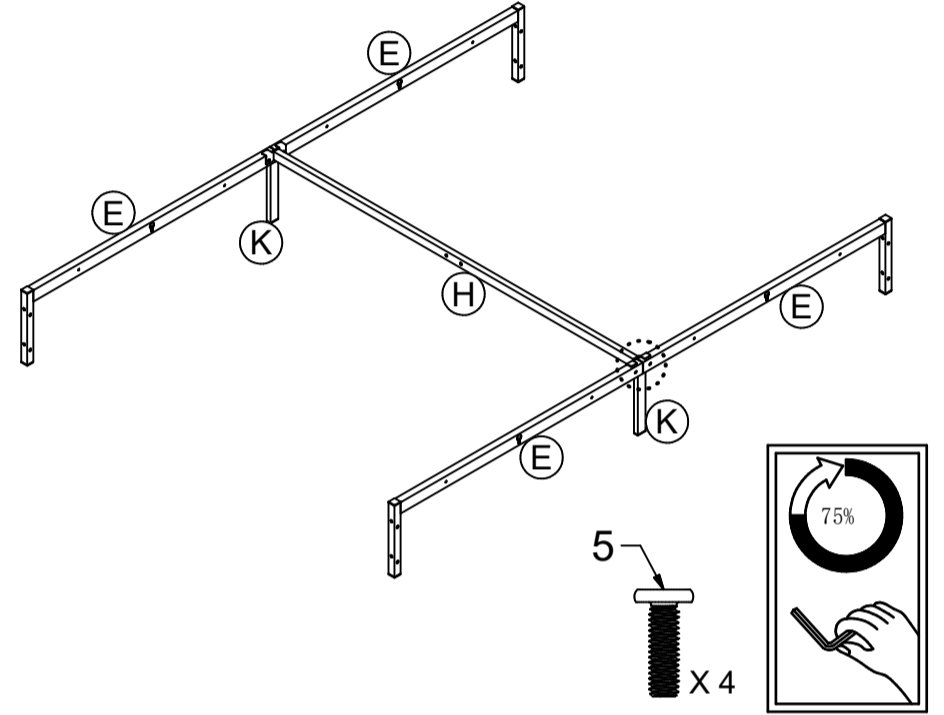


A	1	H	1
A1	1	J	2
A2	1	K	2
B	1	L	2
C	2	M	2
D	2	N	2
E	4	P	1
F	1	Q	8
G	2	S	2

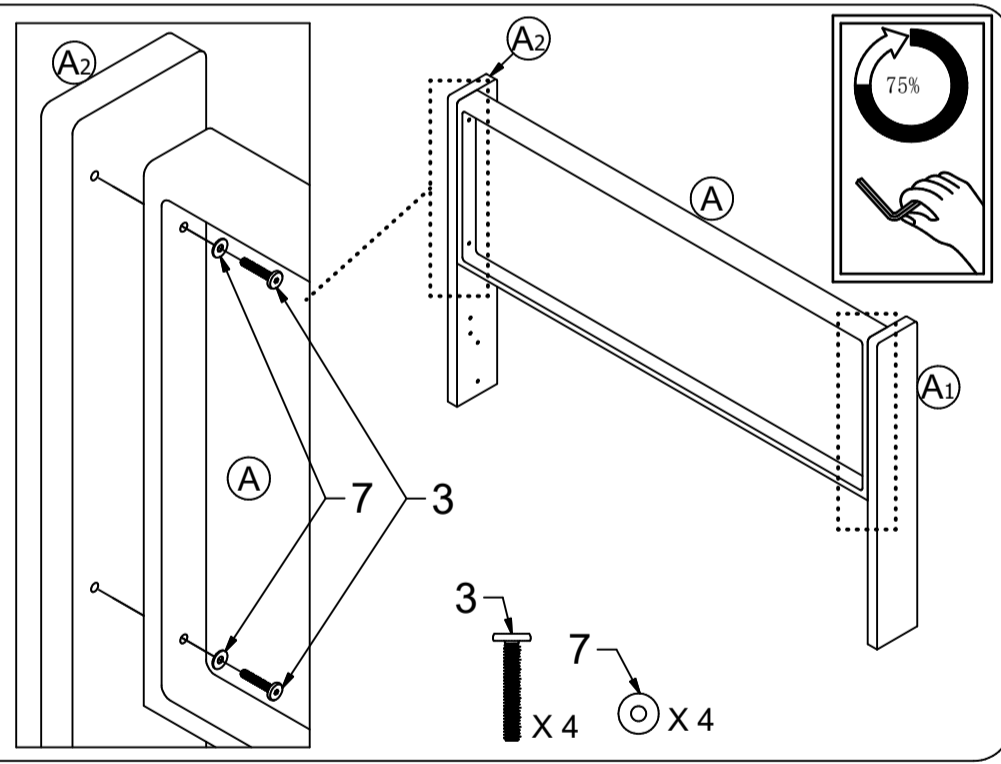
## 2



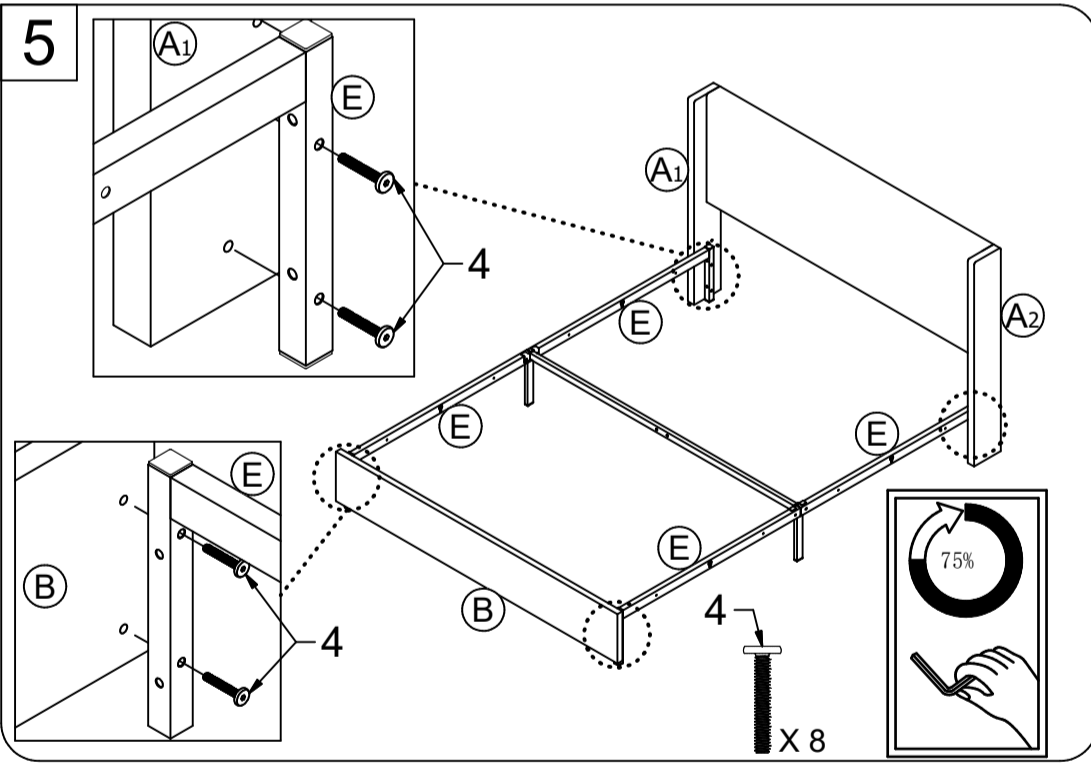
## 3



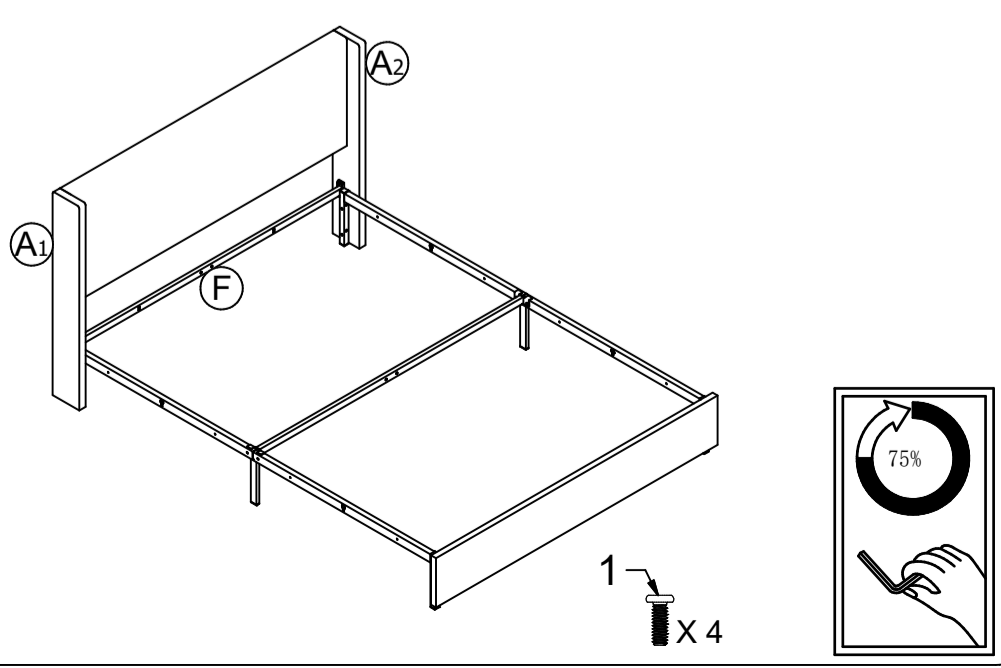
## 4



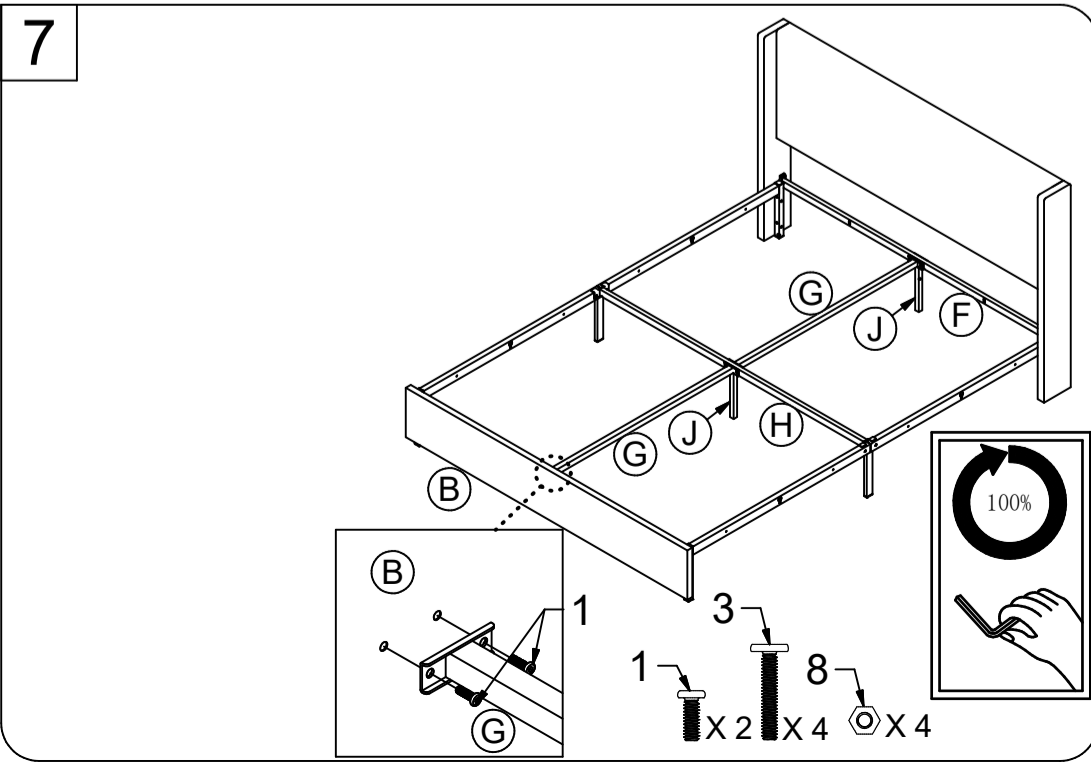
## 5



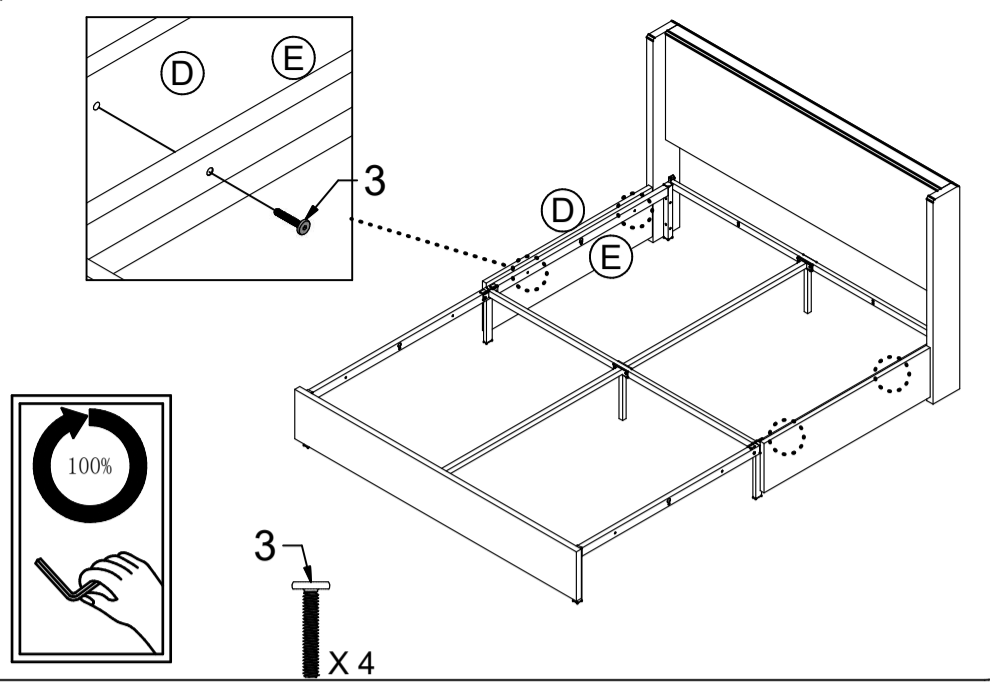
## 6



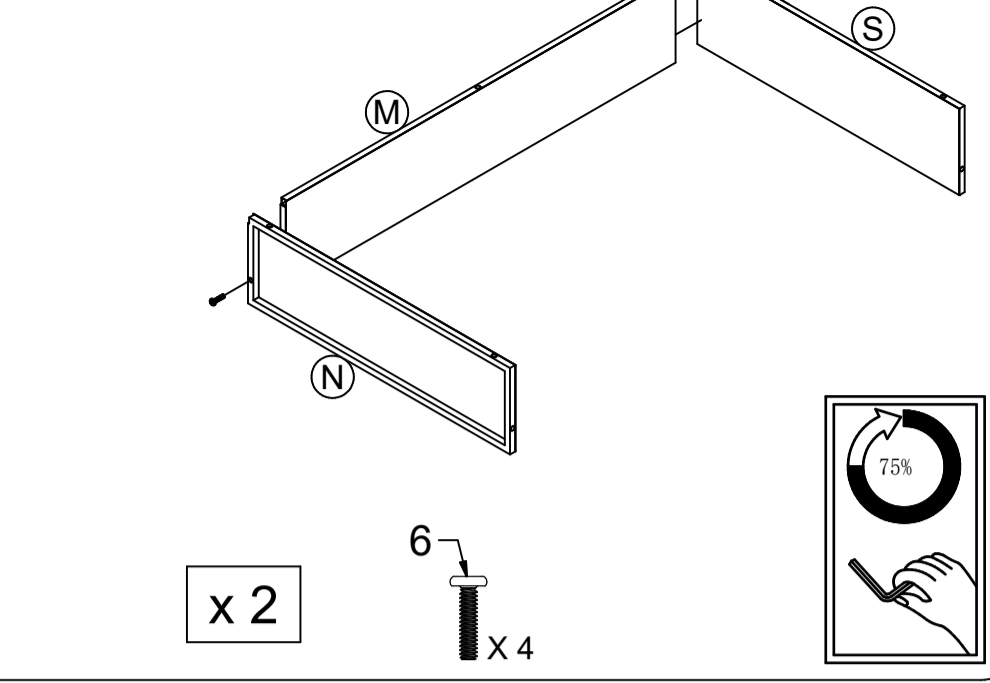
## 7



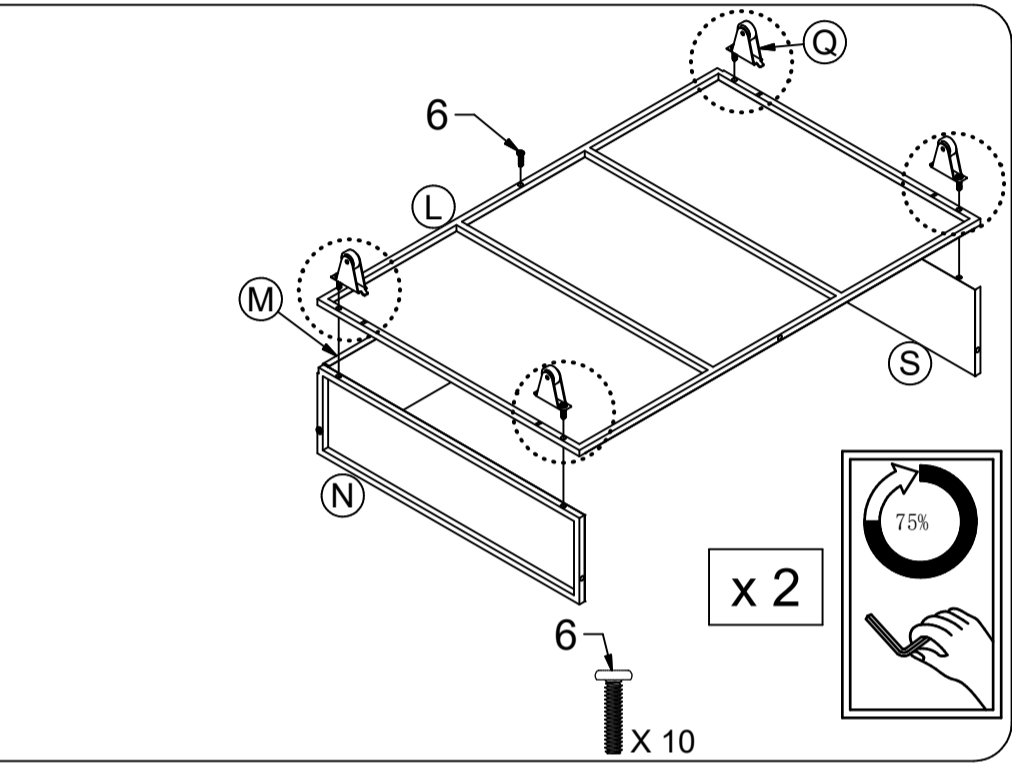
8



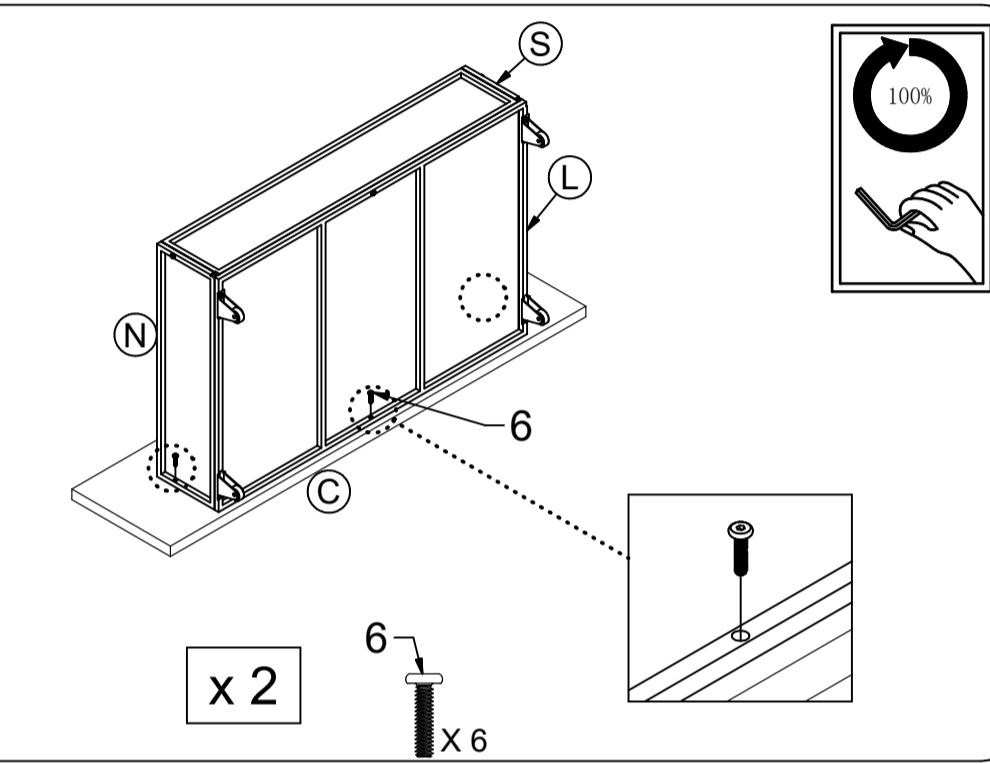
9



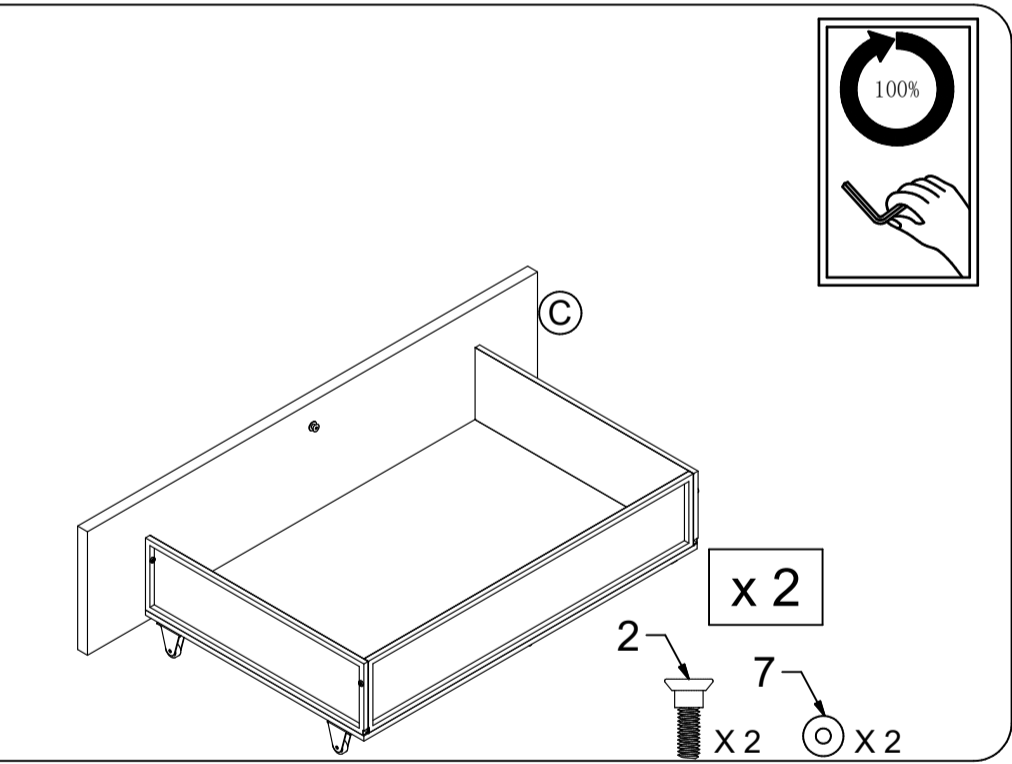
10



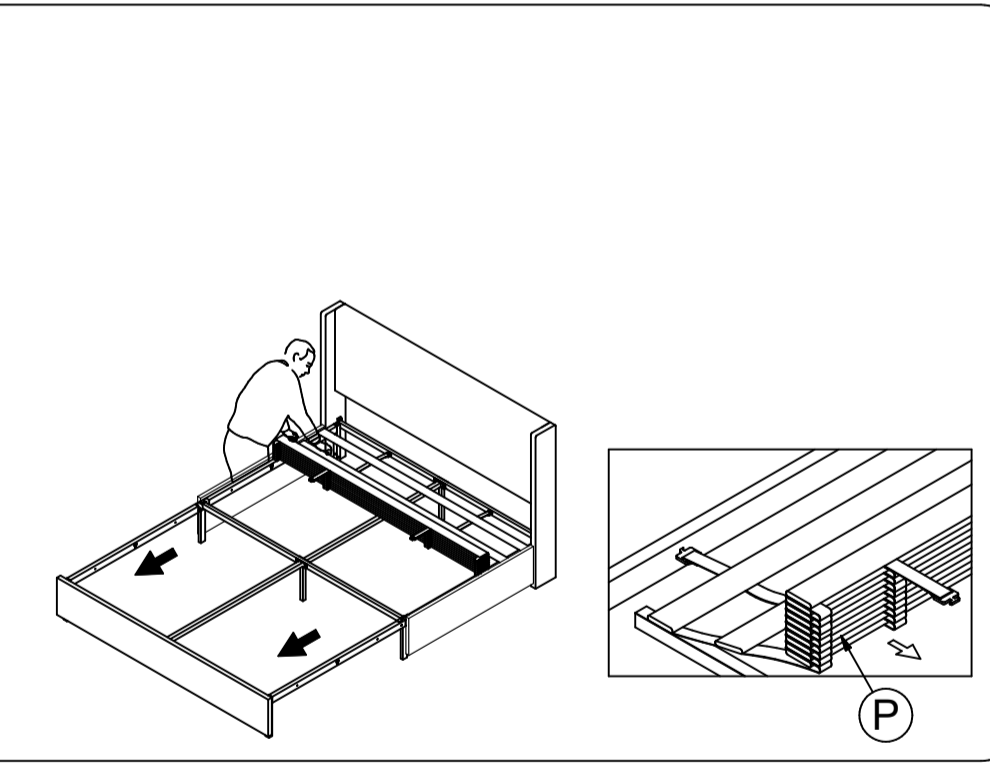
11



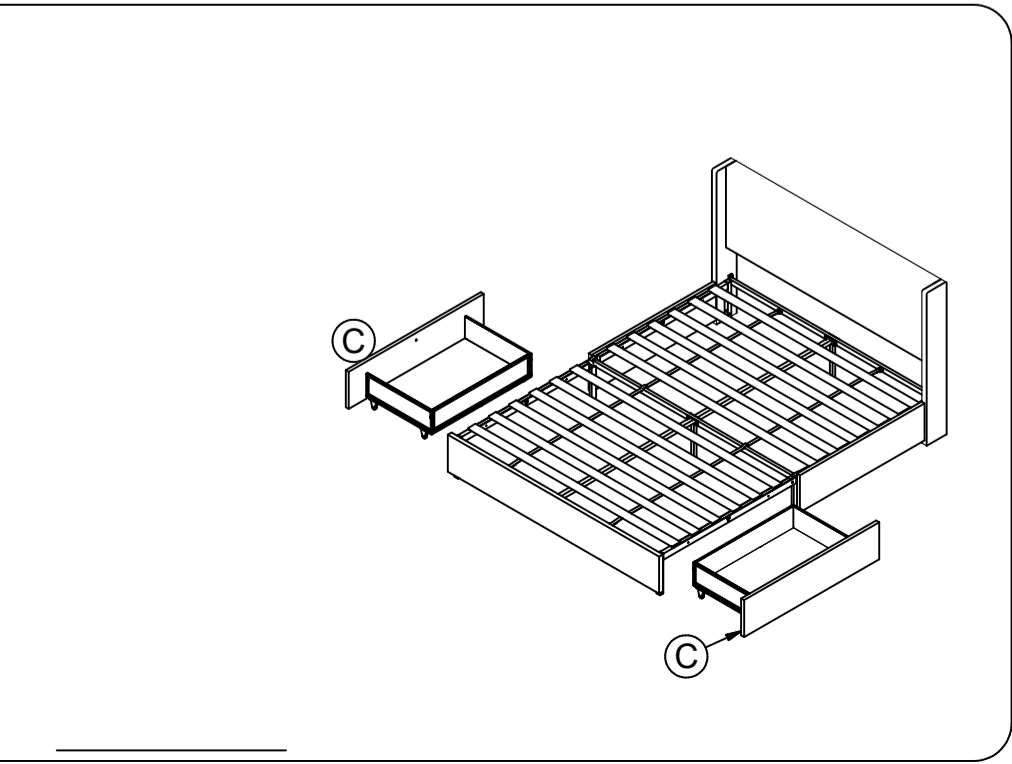
12



13



14



**⚠ WARNINGS:**

- For safety reasons and to prevent injuries:
- This bed is not intended for use by children under 4 years old.
- Prohibit jumping and horseplay on this bed.
- Do not use risers under this bed.

