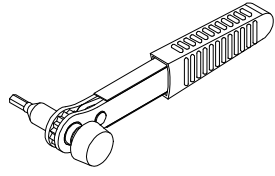
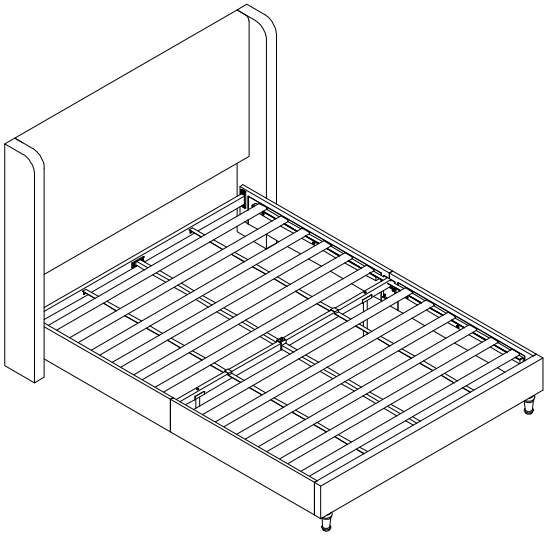


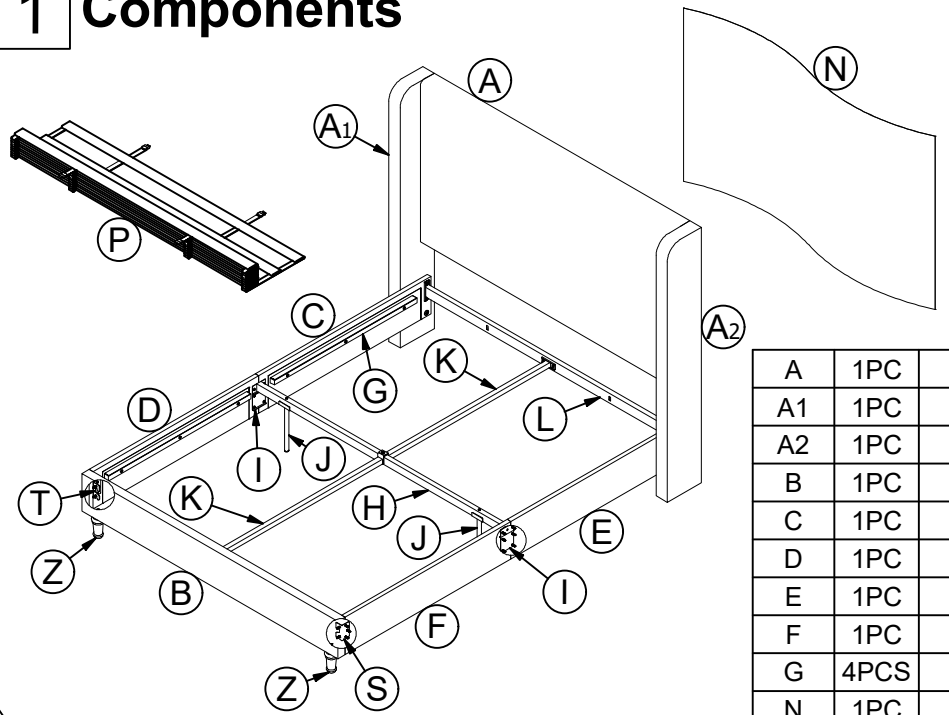
When replacement request, please tell us Component Alphabet and Model Number.

▲ Weight Limit: 1000 LBS / 454 KG



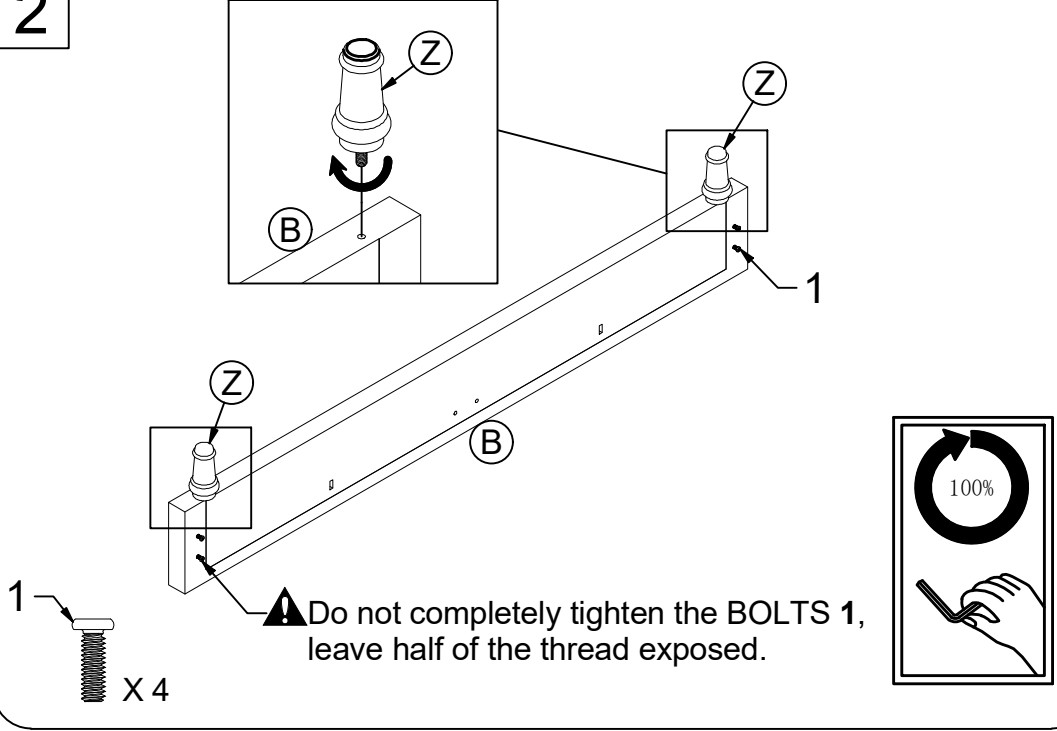
1		1/4**3/4"	32
2		1/4**1 9/16"	24
3		5/16**1 3/16"	1
4		1/4" Washer	12
5		1/4" Spring Washer	6
6		4mm Allen Key	1

1 Components

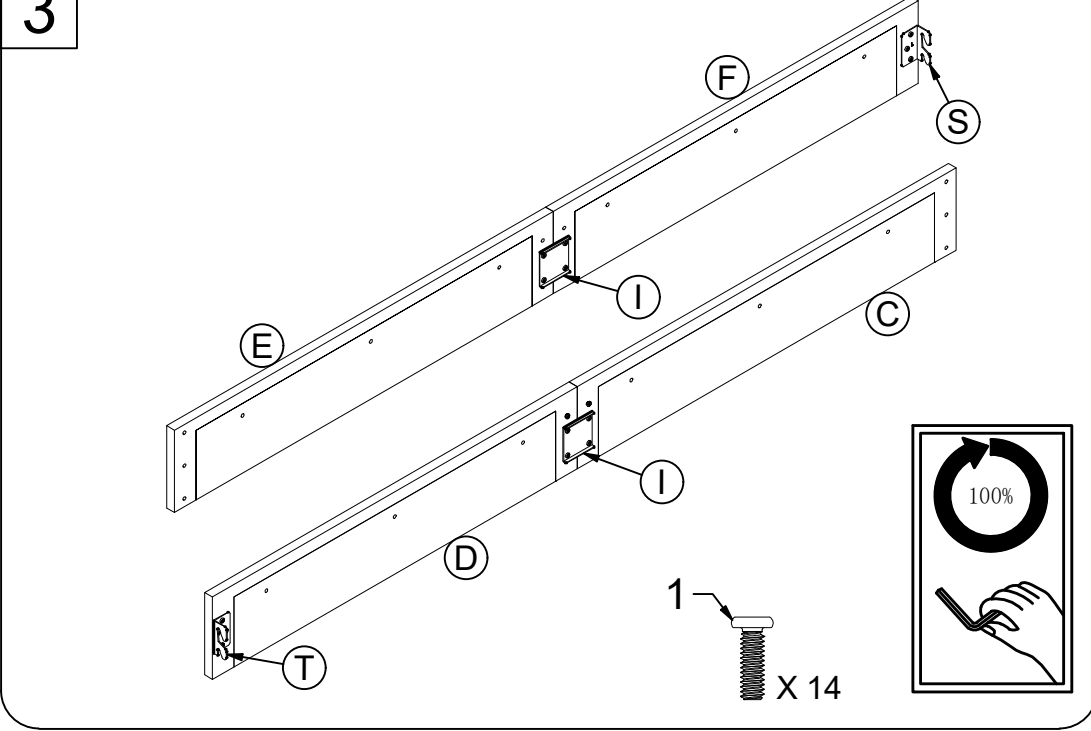


A	1PC	H	1PC
A1	1PC	I	2PCS
A2	1PC	J	2PCS
B	1PC	K	2PCS
C	1PC	L	1PC
D	1PC	S	1PC
E	1PC	T	1PC
F	1PC	Z	2PCS
G	4PCS	P	1PC
N	1PC		

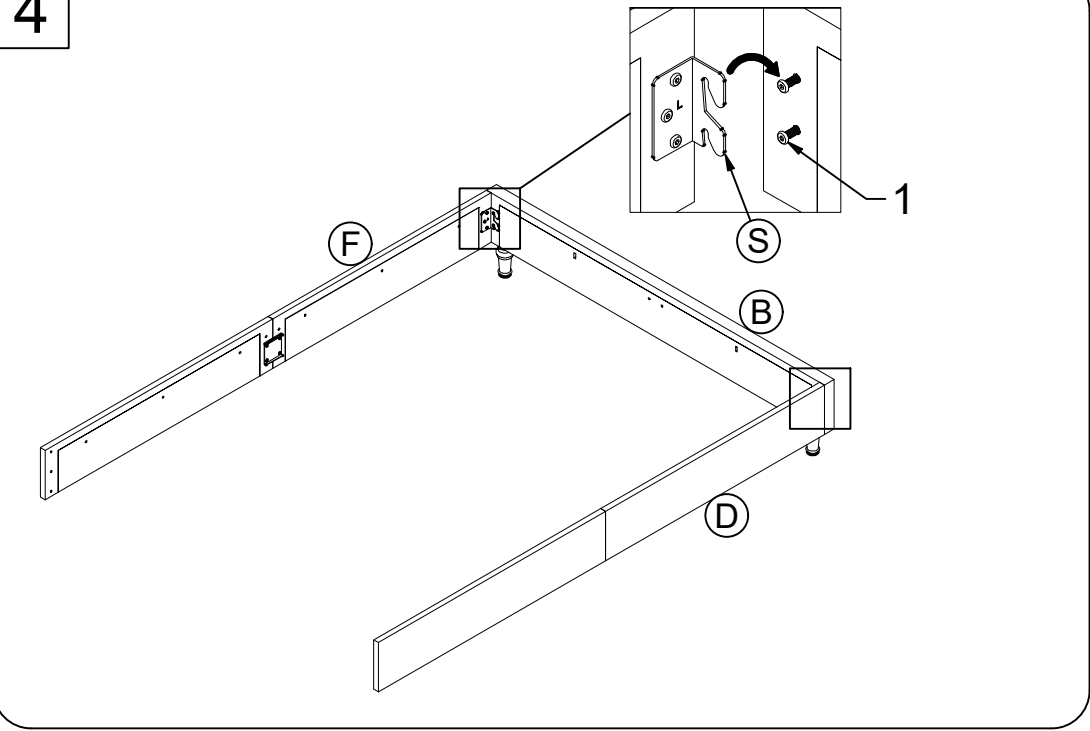
2



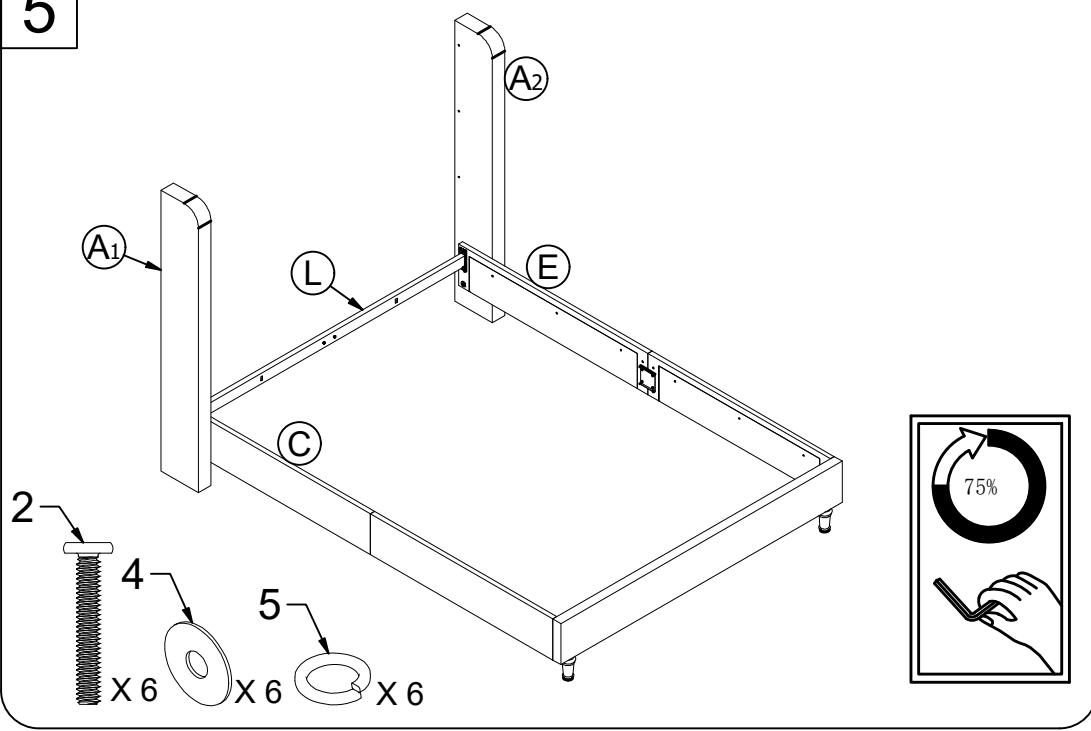
3



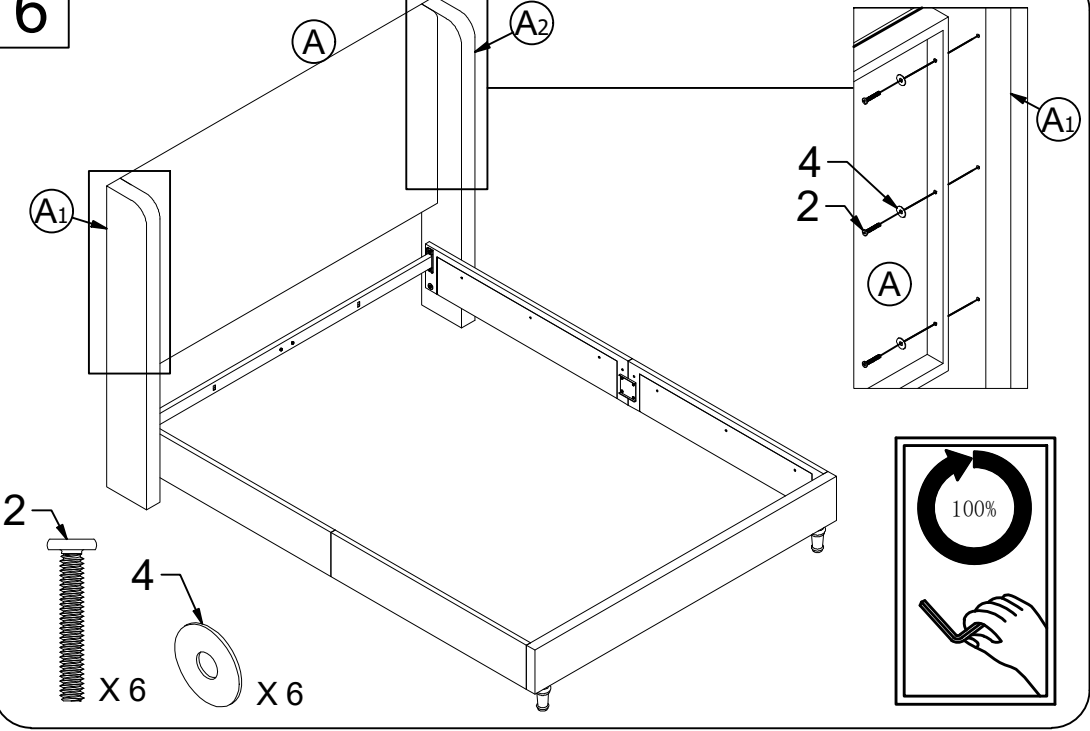
4



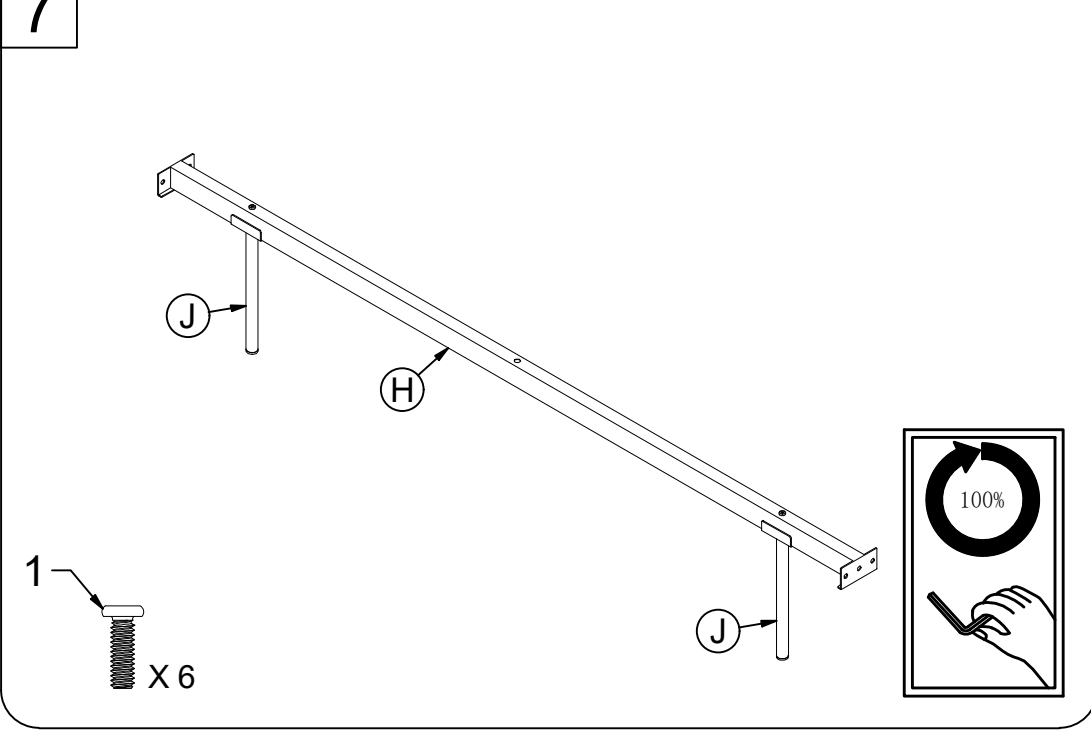
5



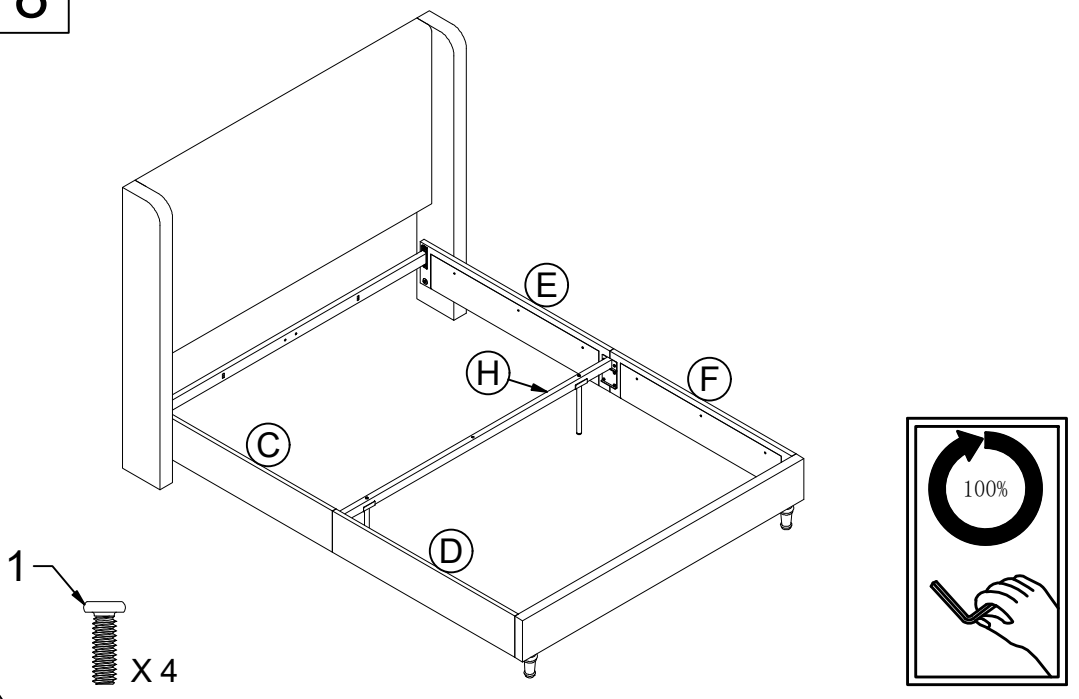
6



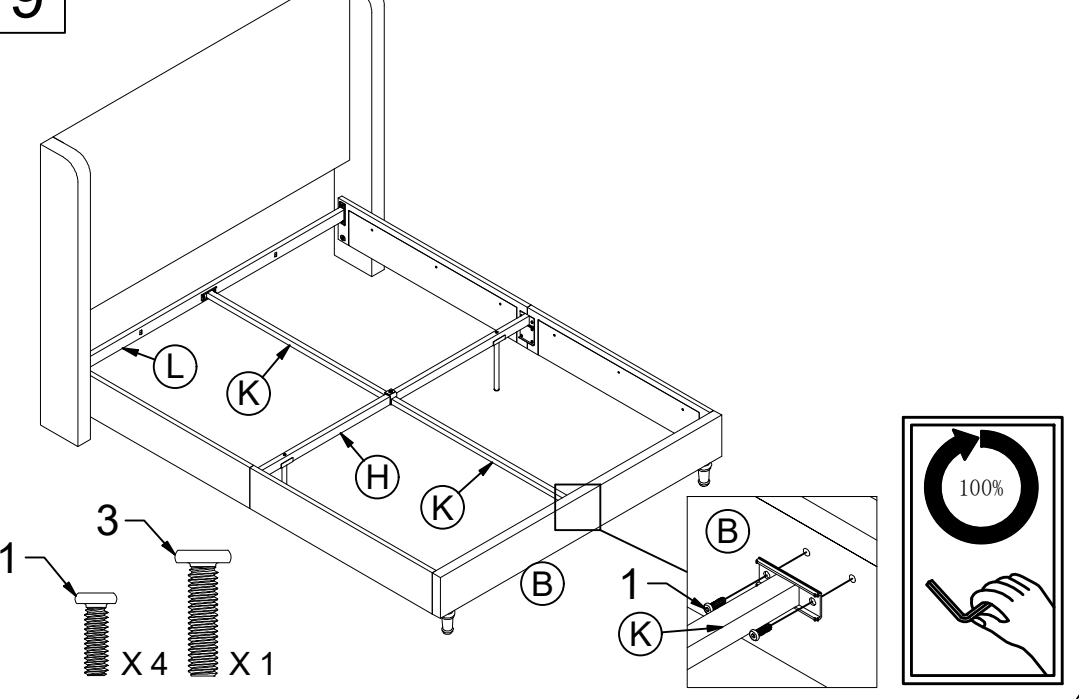
7



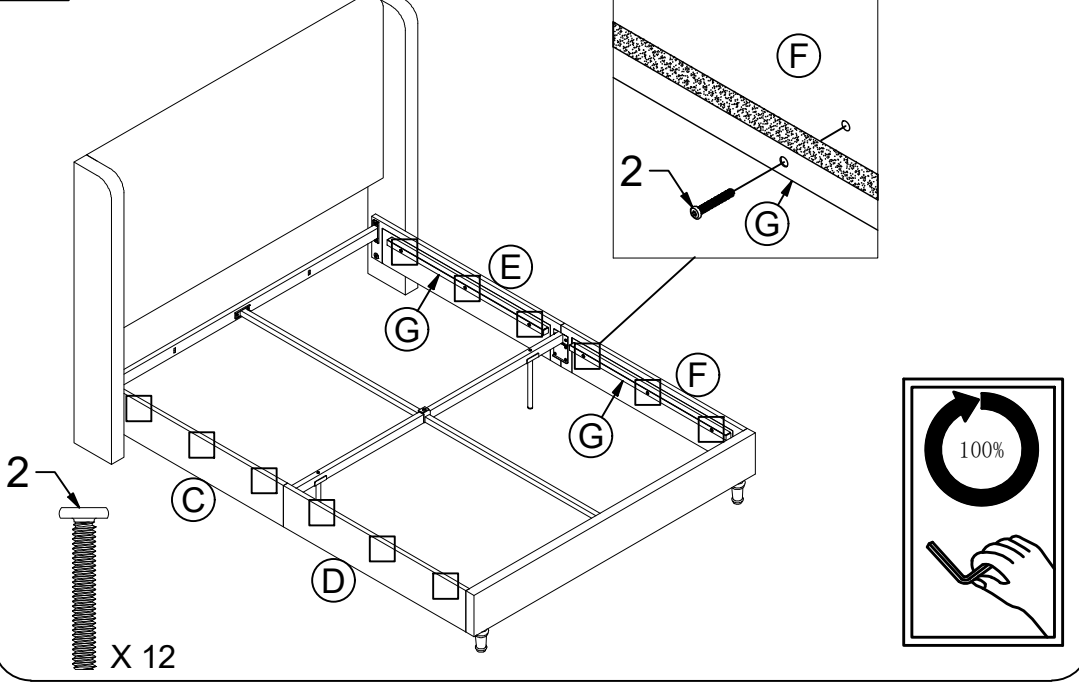
8



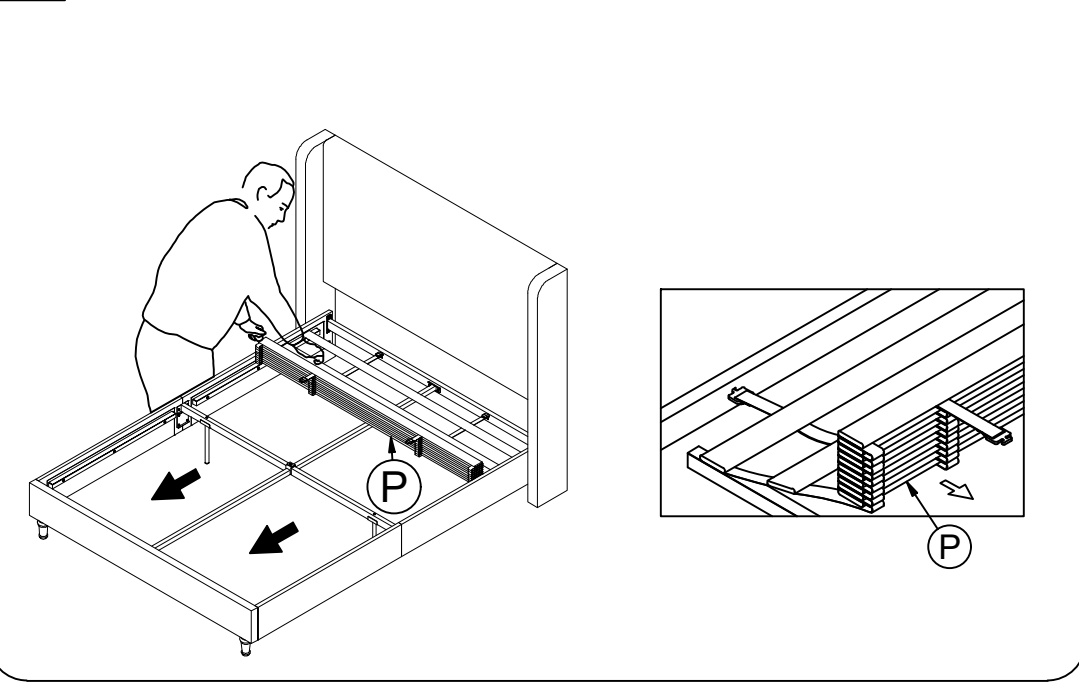
9



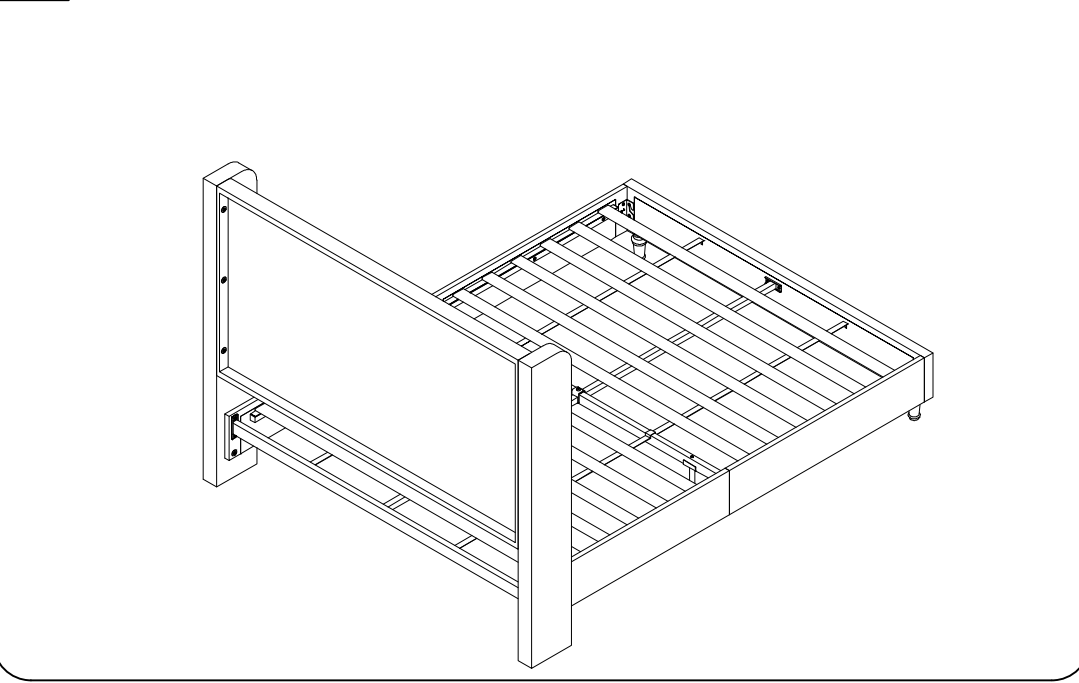
10



11



12



13

