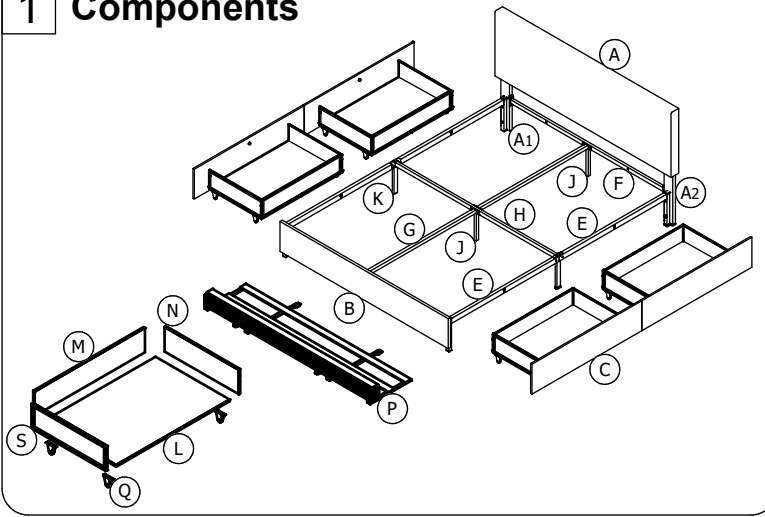
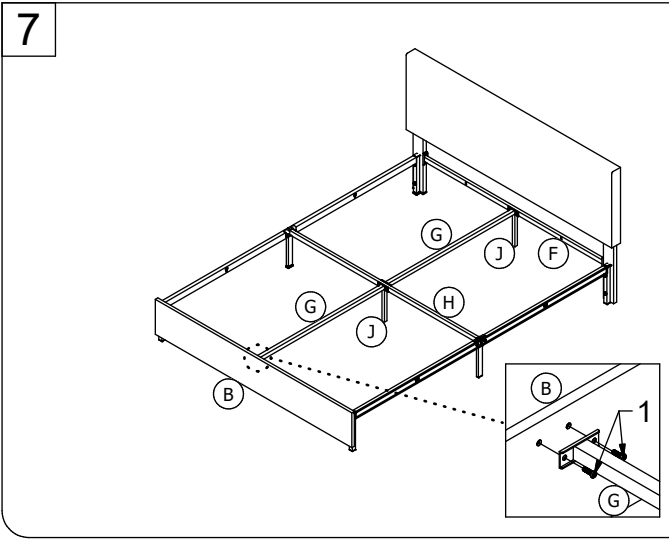
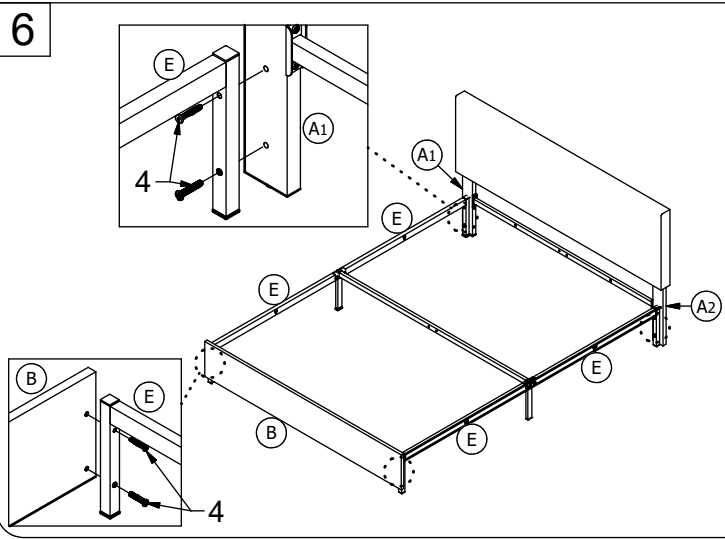
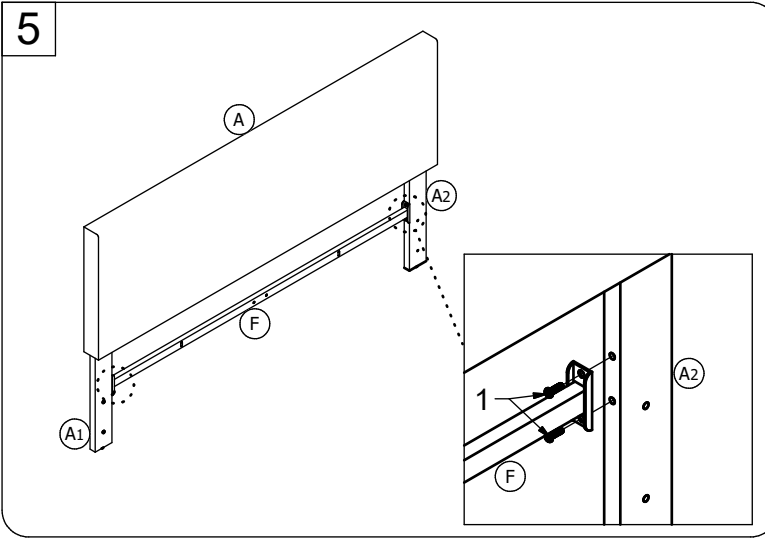
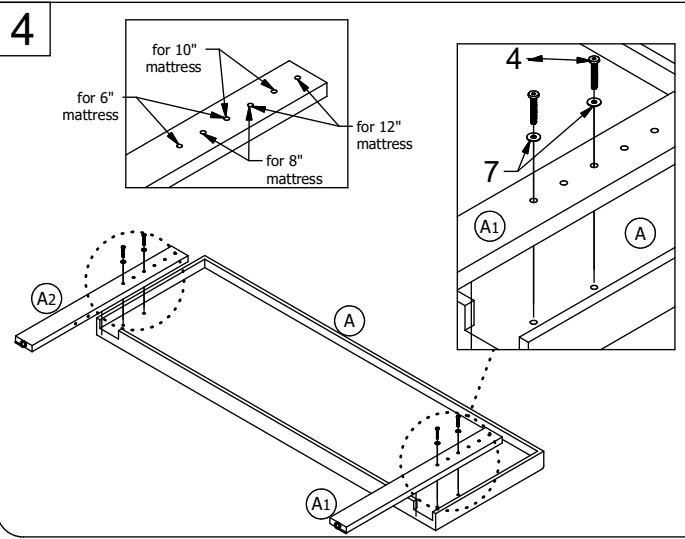
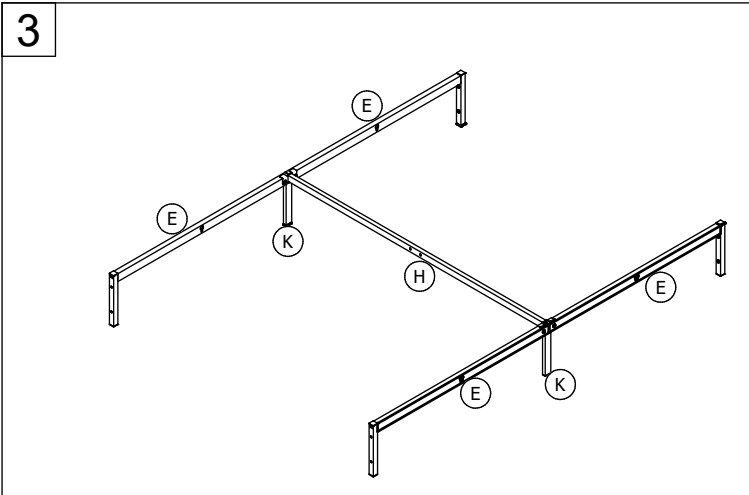
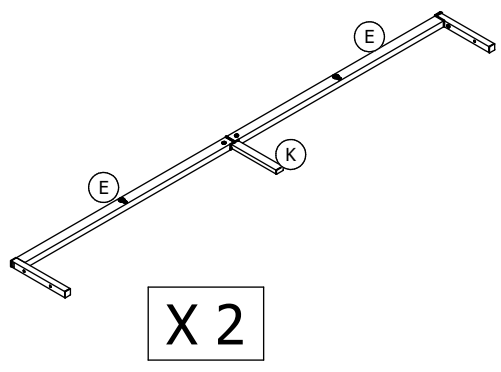


1		1/4"×17mm	6
2		1/4"×18mm	4
3		1/4"×35mm	4
4		1/4"×40mm	12
5		5/16"×25mm	4
6		3/16"×20mm	40
7		1/4"	8
8		1/4"	4
9		4mm	1
10		Wrench	1

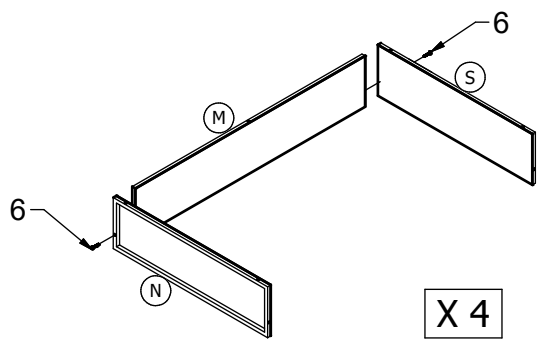
# 1 Components



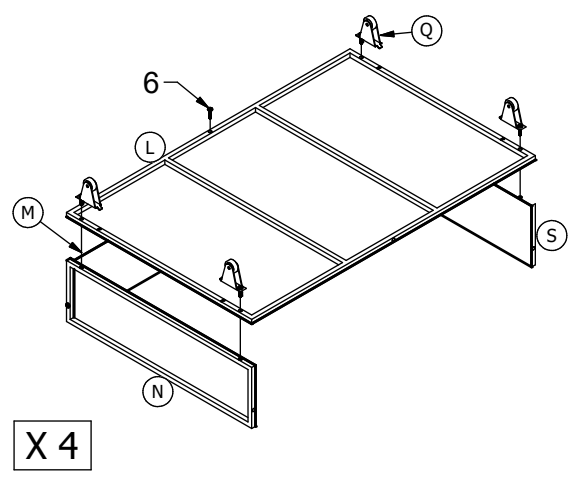
**2** 1. When replacement request, please tell us Component Alphabet and Model Number.  
2. Fully tighten when **Step 7** finished.



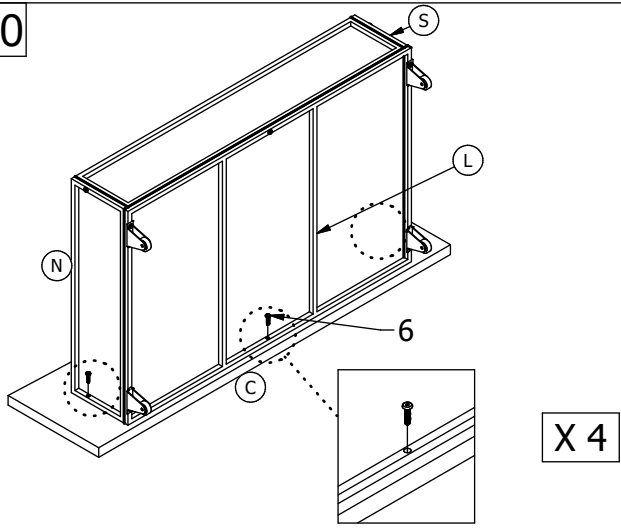
8



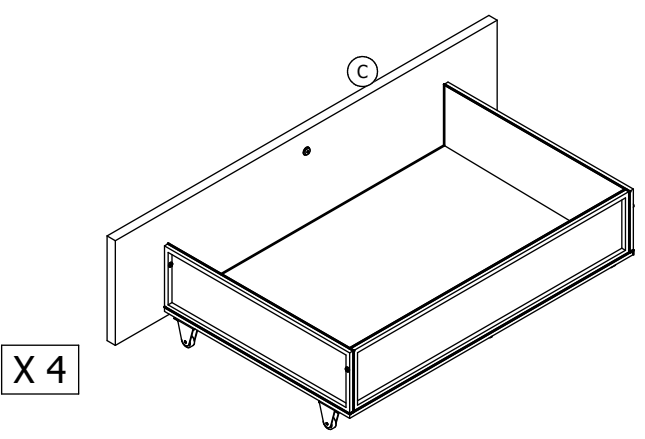
9



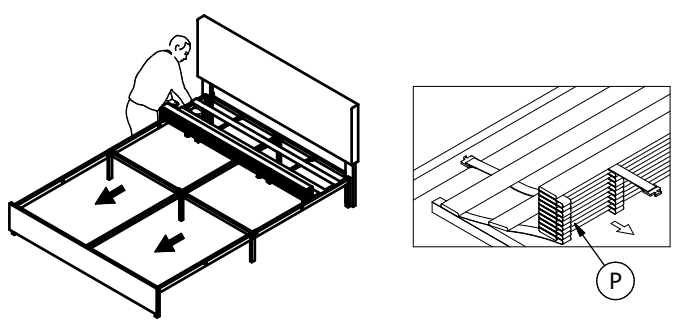
10



11



12



13

