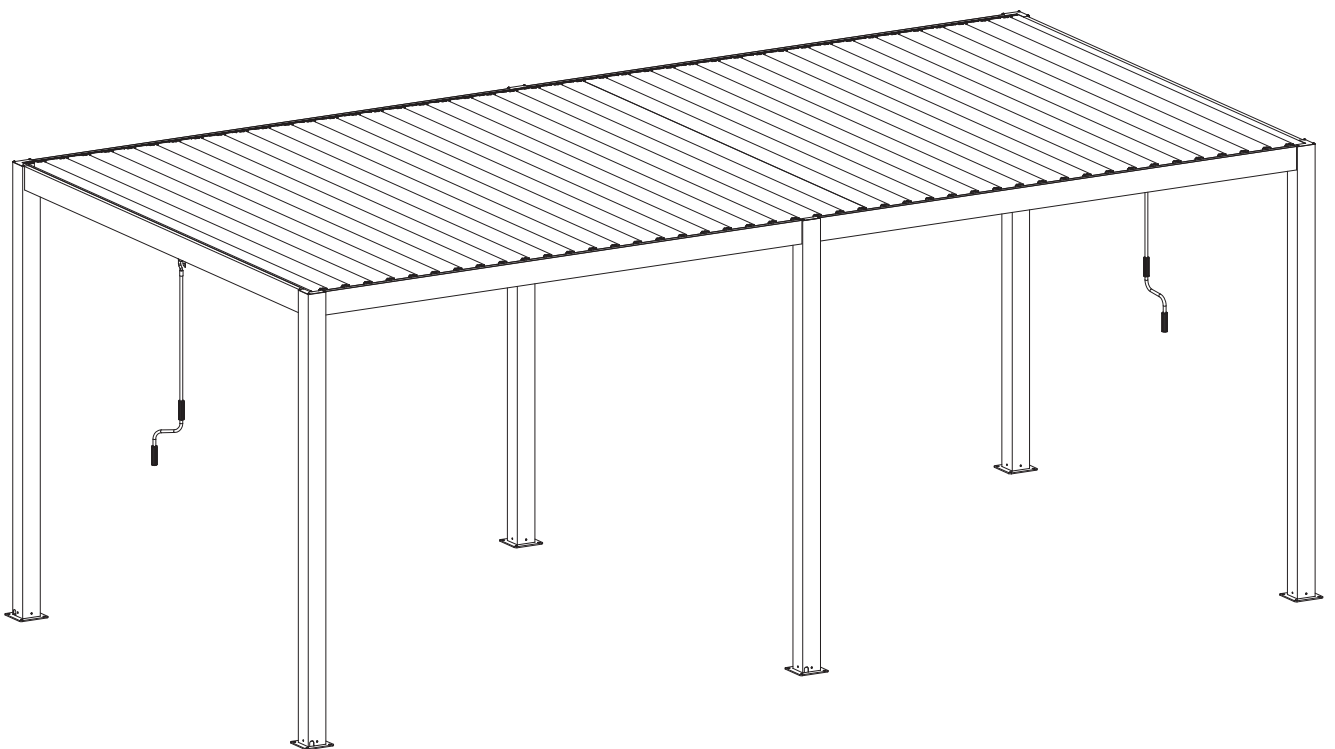


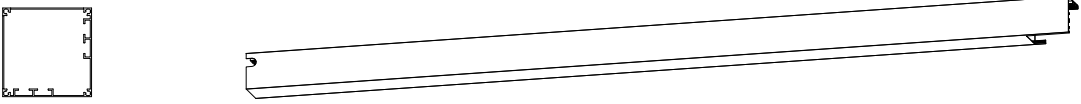
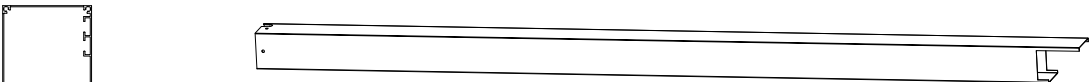
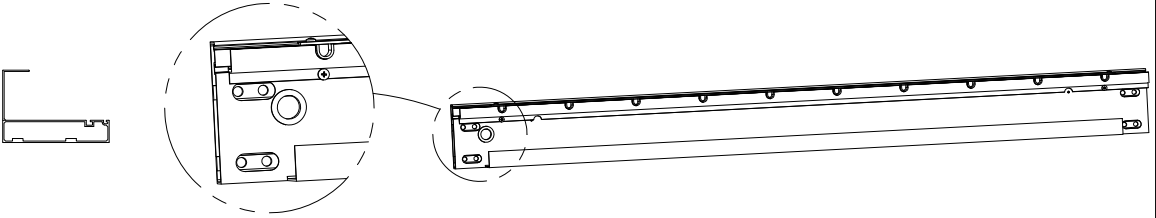
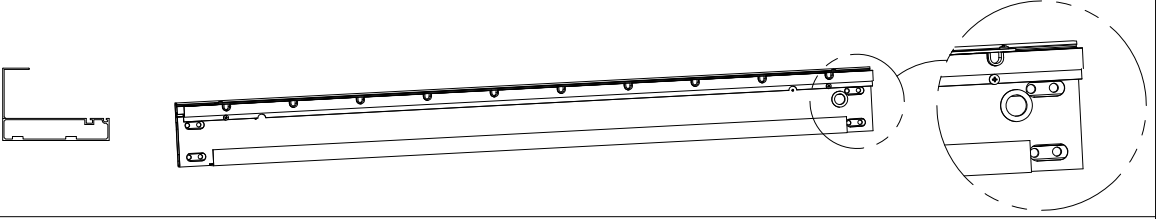
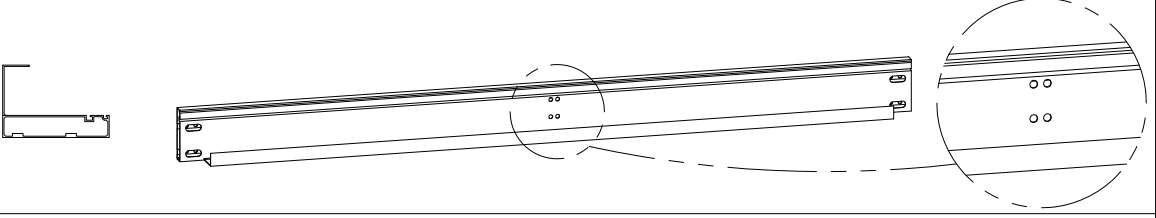
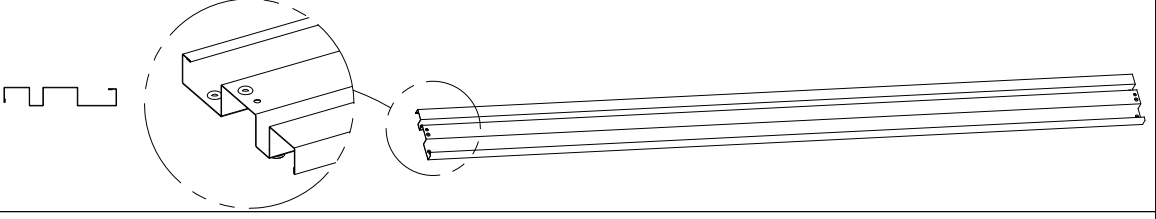
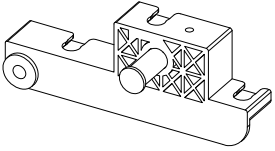
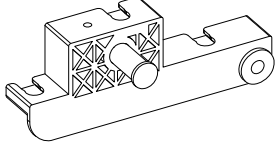
8640E Pergola

User's Manual

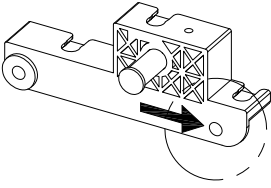
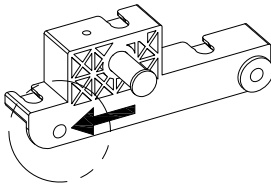
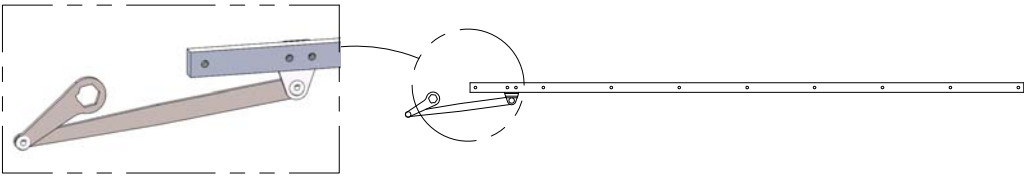
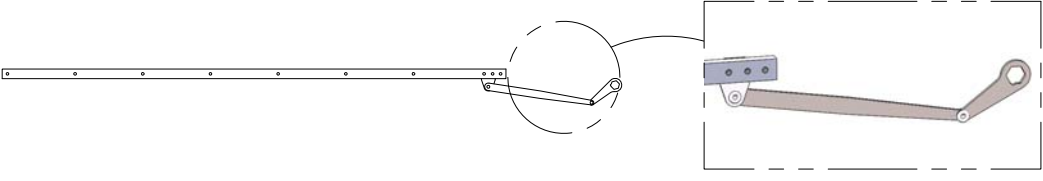
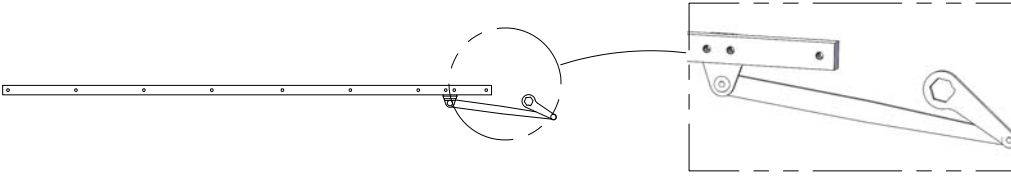
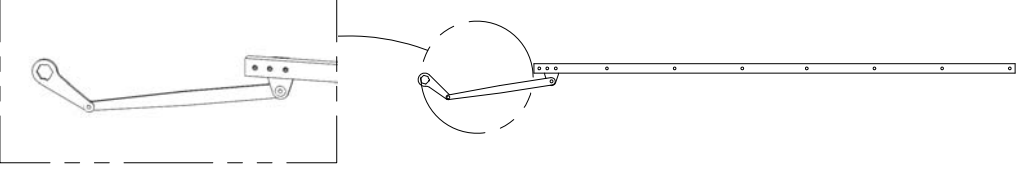
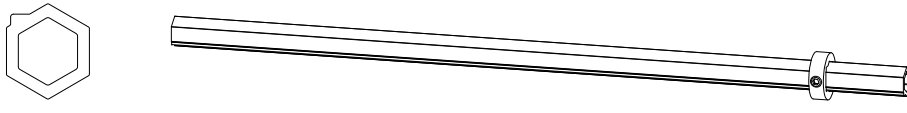

19x10 FT



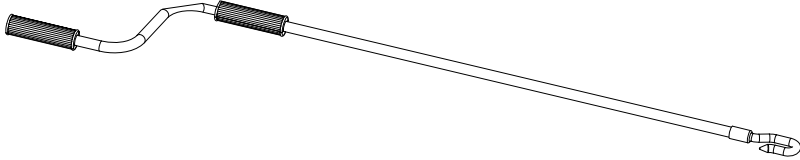
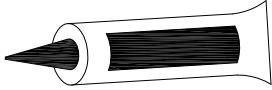
Bill of Materials List

REF	PHOTO	QTY
A		4
A3		2
B1		2
B2		2
C2		2
F		44
G1		43
G2		43

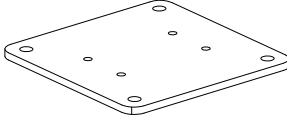
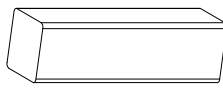
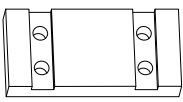
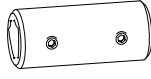

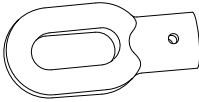
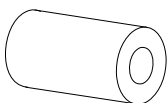

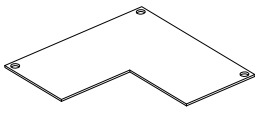
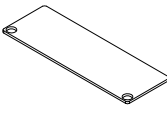
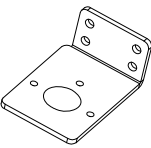
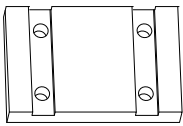
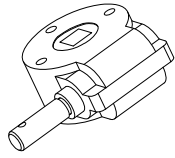
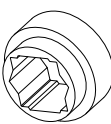
Bill of Materials List

REF	PHOTO	QTY
G3	 <p data-bbox="954 488 1289 555">Fixed left louver end cover with a screw hole</p>	1
G4	 <p data-bbox="954 712 1289 779">Fixed right louver end cover with a screw hole</p>	1
H1		1
H2		1
H3		1
H4		1
I1		2
I2		2

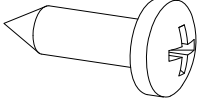
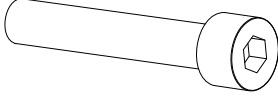

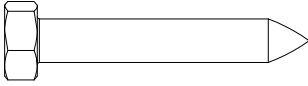

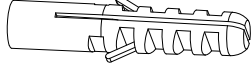
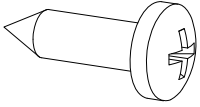


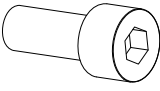
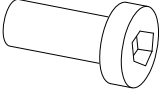
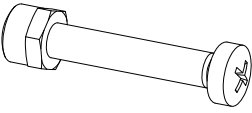
Bill of Materials List

REF	PHOTO	QTY
J		2
K		1

Bill of Materials List

REF	PHOTO	QTY	REF	PHOTO	QTY
L1		6	L9		2
L2		8	L10		4
L3		20	L11		2
L4		4	L12		24
L5		4	L13		2
L6		2	L14		2
L7		2			
L8		4			

Bill of Materials List

REF	PHOTO	QTY	REF	PHOTO	QTY
M1	 ST4.8×16	88	M9	 M6*35	6
M2	 φ6*16*M5	84	M10	 M8*75	24
M3	 ST4.8×45	4	M11	 φ10*50	24
M4	 ST5.5×16	16	M12	 φ8*1	24
M5	 ST5.5×32	24			
M6	 M8*20	40			
M7	 M6*16	8			
M8	 M4 & M4*20	2			

Kinder Reminder

General Guidelines

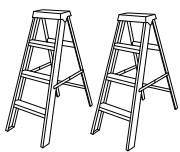
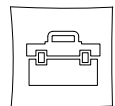
- Please keep this manual for future use after you install the pergola;
- Please read the following instruction carefully before assembly;
- This manual may not include every details and considerable steps;
- Please contact us when you need further information or any help

Kind Notes

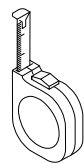
·Please do not allow snow to accumulate on the louver roof. If moderate or heavy snow is expected to coming, do open the louvers, also does it in the conditions of high winds or other extreme weather conditions.

·Please open the louvers and raise or remove any shade screen accessories that have been installed to avoid potential damage to the pergola when bad weather comes.

What you may need?



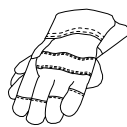
Ladder x2



Tapeline



Mallet

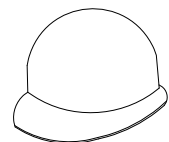


Glove

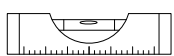


Ø10mm

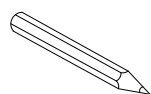
electric screw driver



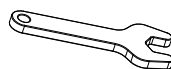
Safety hat



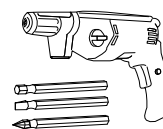
Level



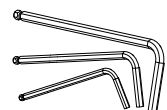
Marker Pen



Adjustable wrench

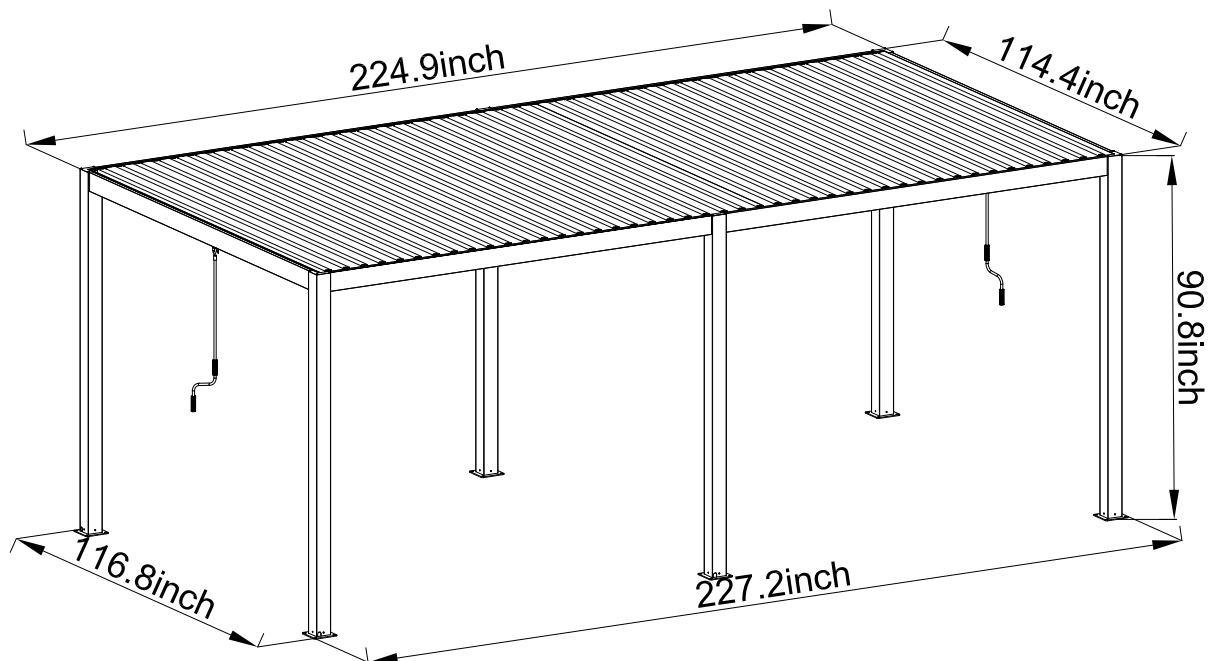
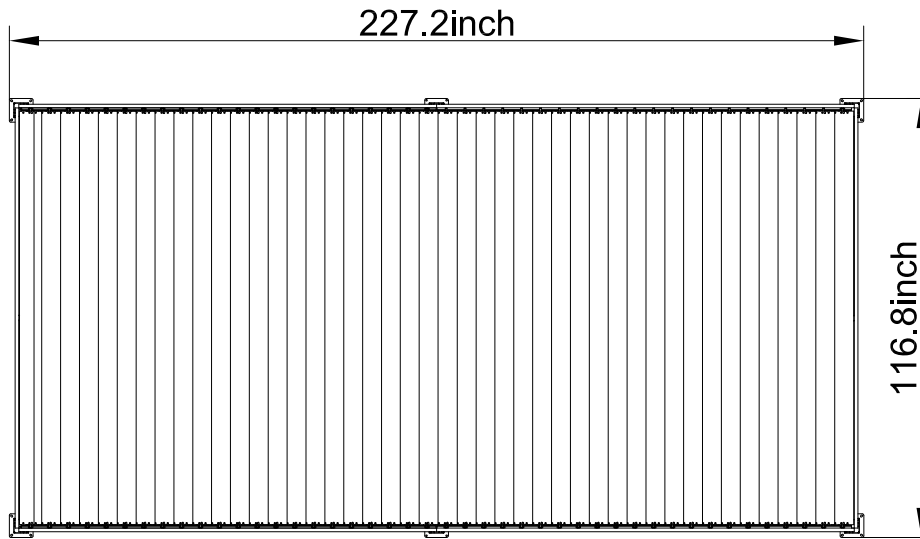


screwdriver or electric screwdriver



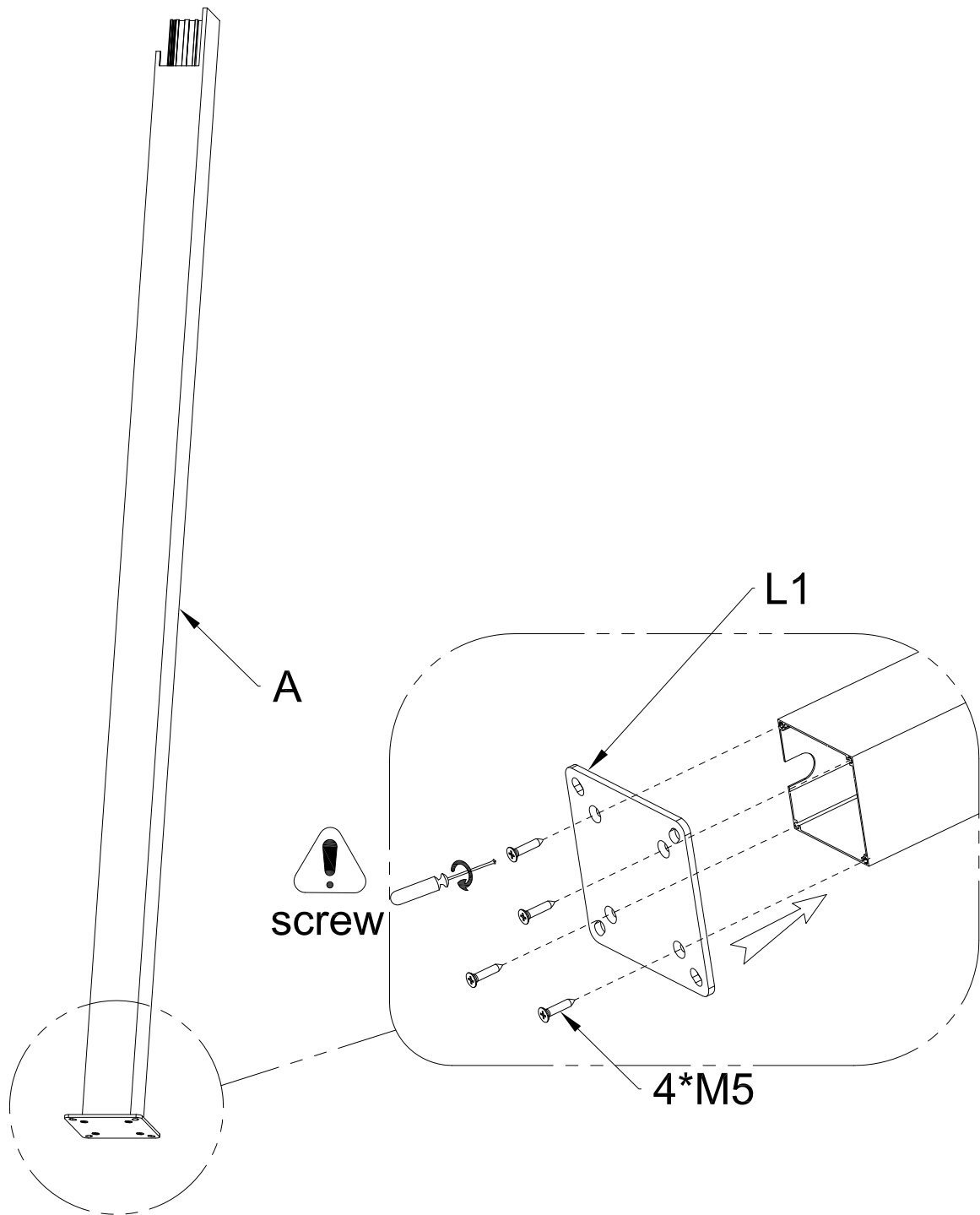
Allen key

Overall Size Display

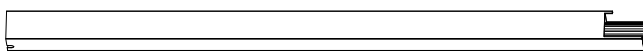




Step-by-step Instructions for Installation

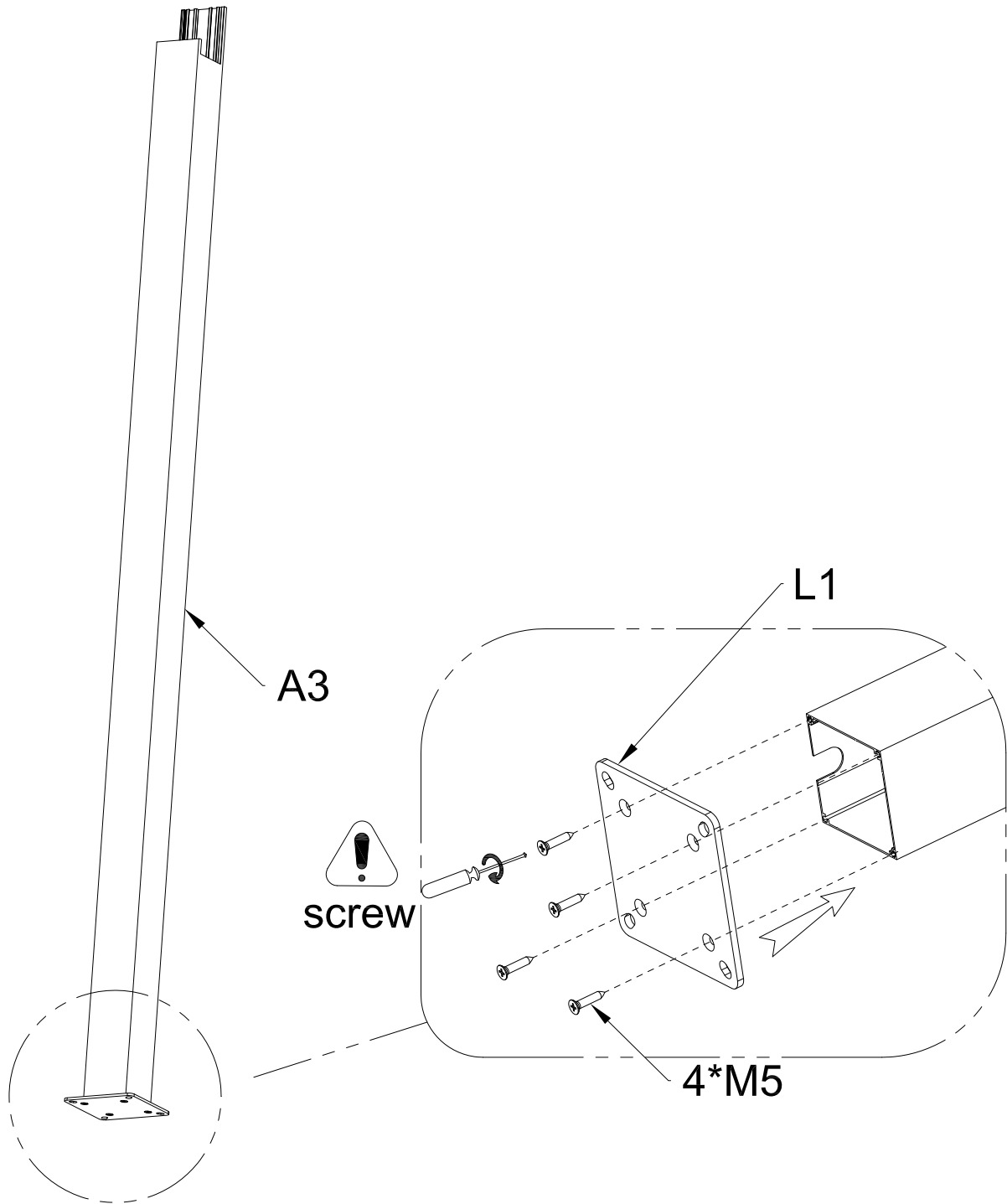
1. Assemble four corner pillars



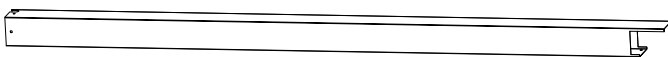

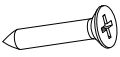
x4

A		QTY:4PCS
L1		QTY:4PCS M5  QTY:16PCS ST5.5*32

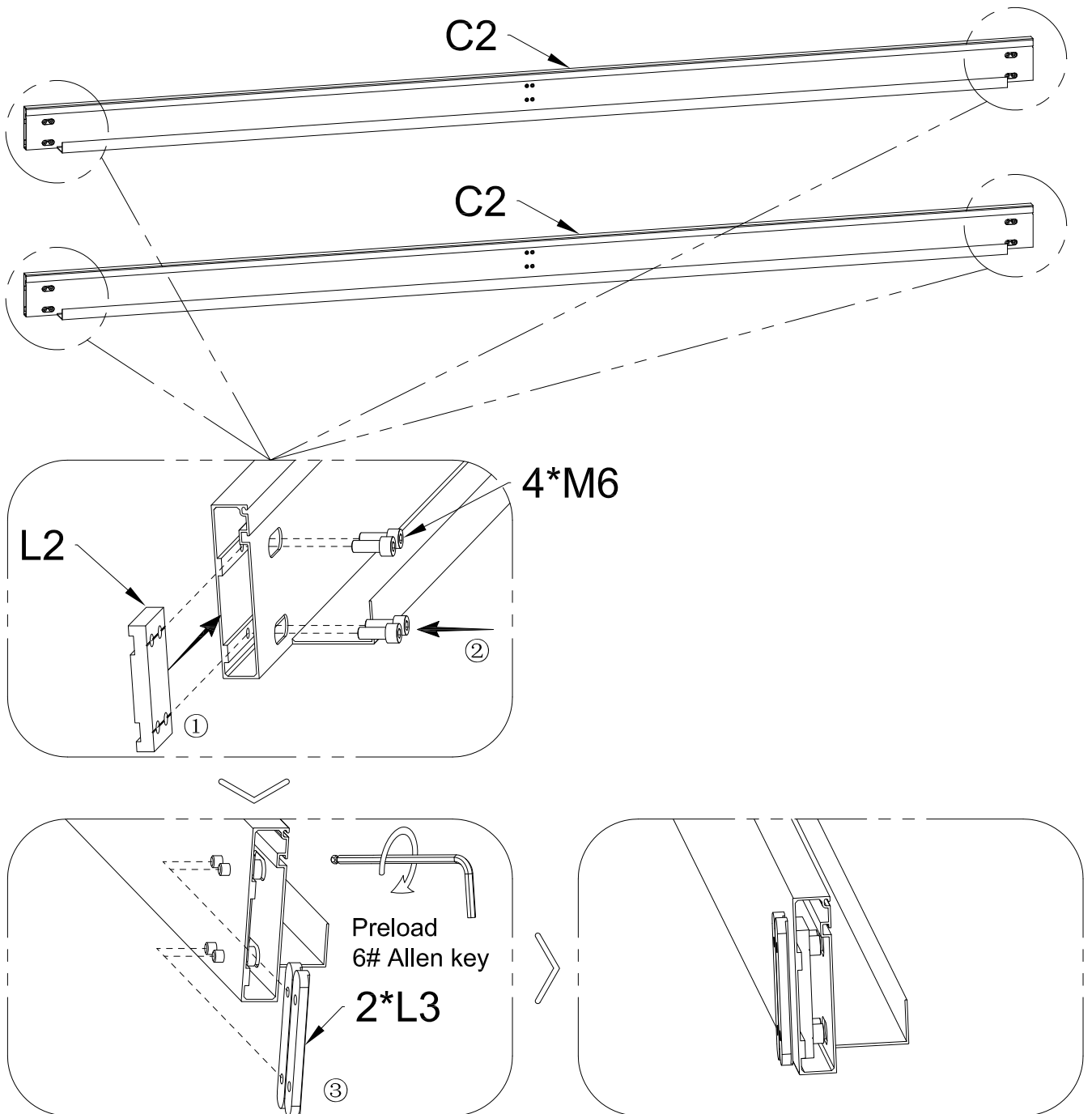
2. Assemble two middle pillars

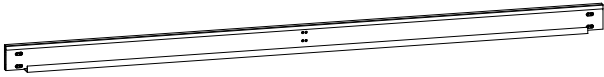
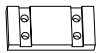

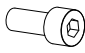


x2

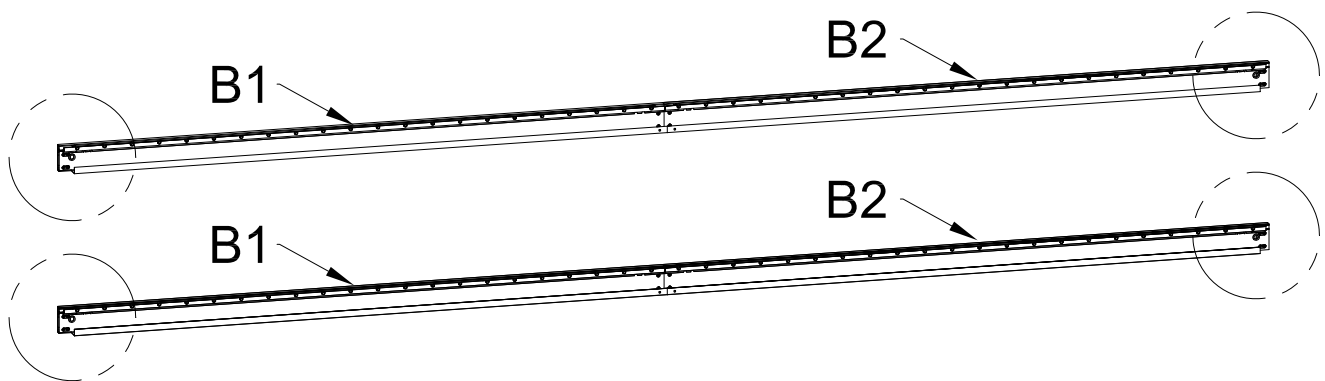
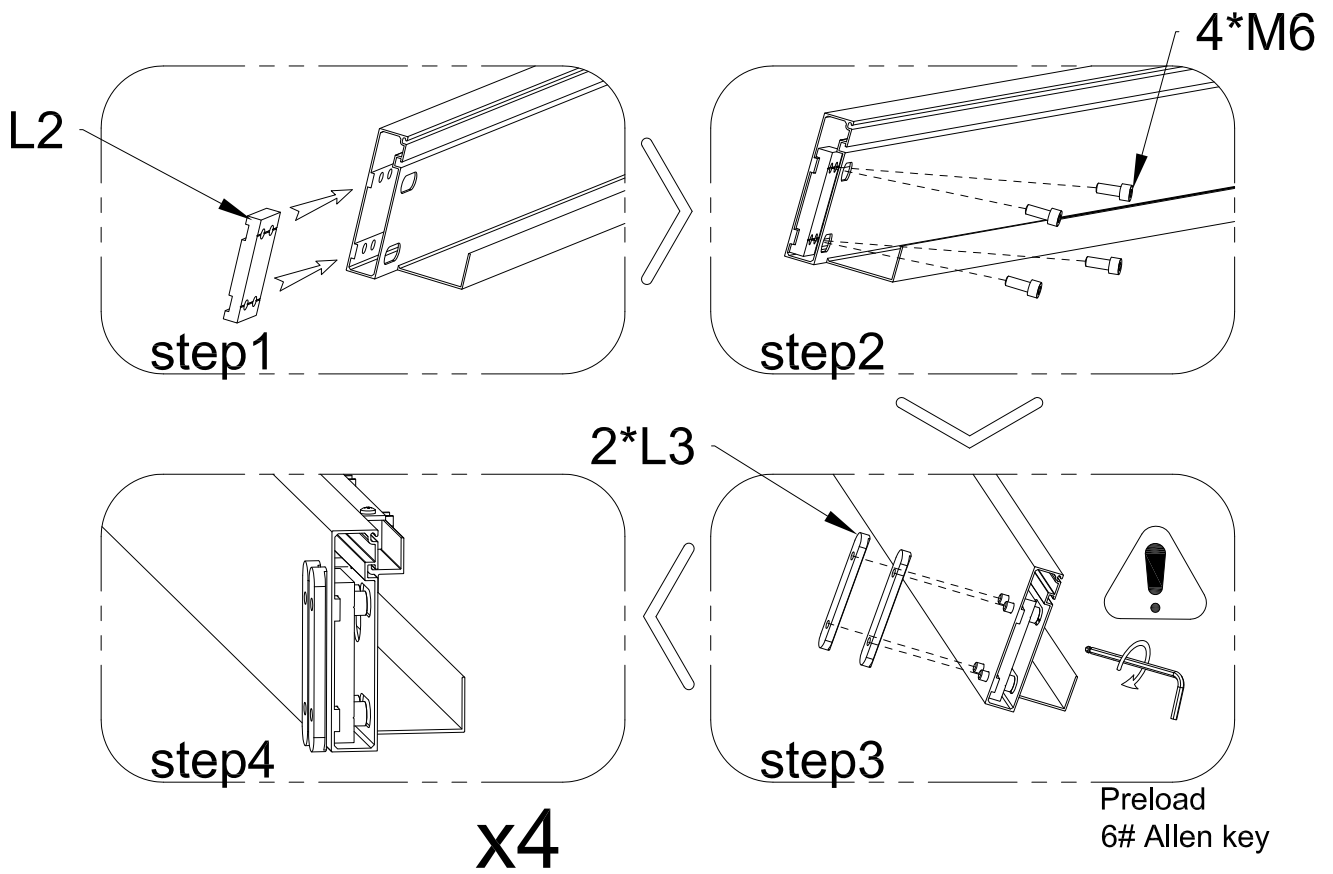
A3		QTY:2PCS
L1		QTY:2PCS
M5		QTY:8PCS
ST5.5*32		

3. Install the short iron parts at both ends of the left and right crossbeams

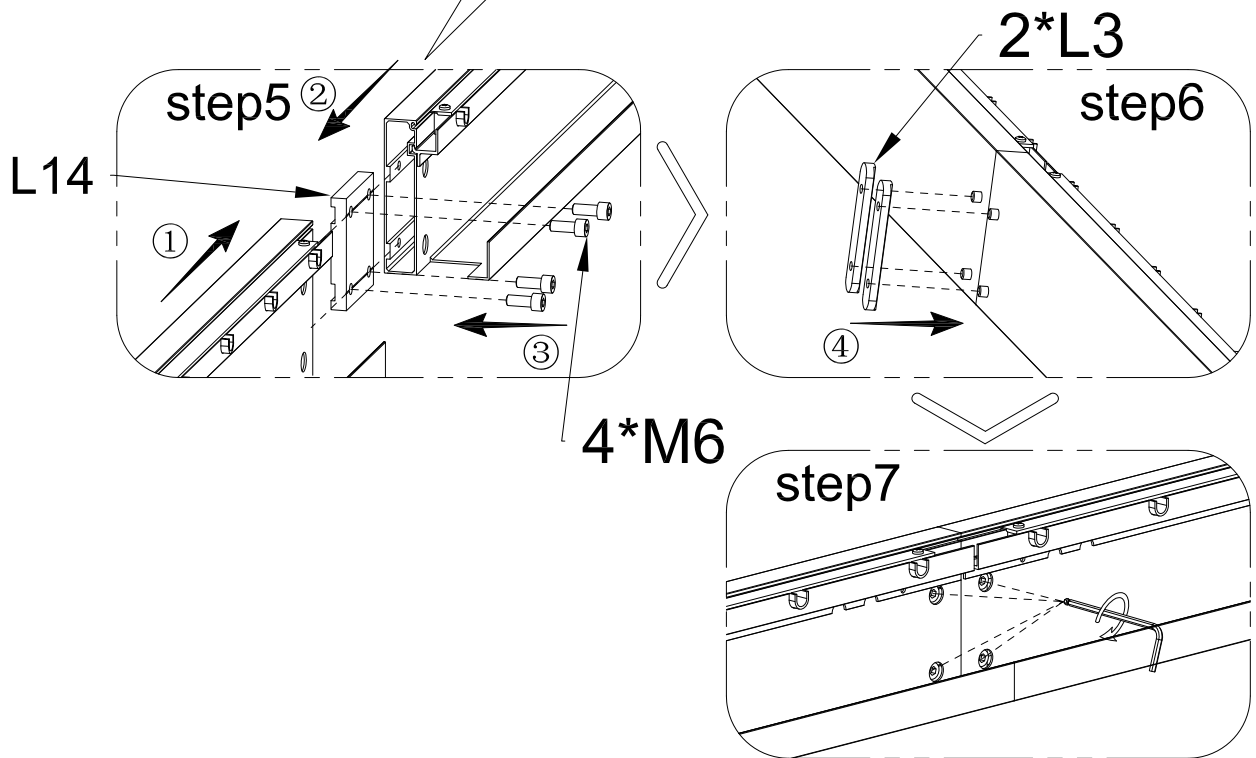
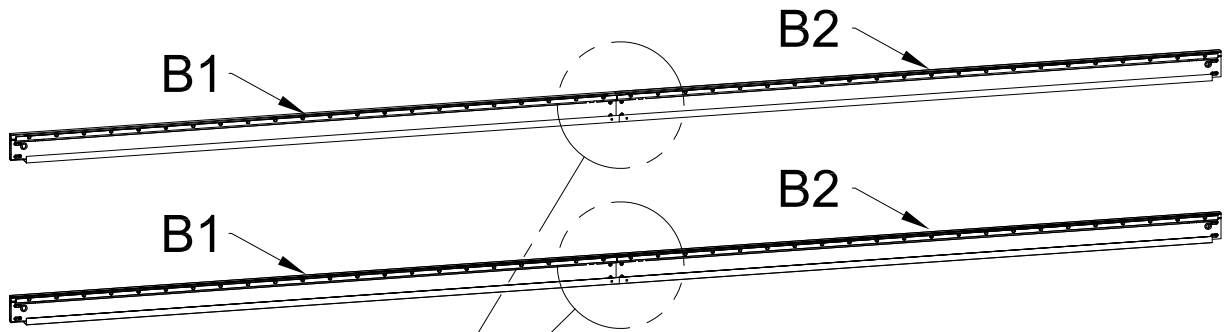


C2		QTY:2PCS							
L2		QTY:4PCS	L3		QTY:8PCS	M6		M8*20	QTY:16PCS


4. Install the short iron components at both ends and in the middle of crossbeams 1 and 2

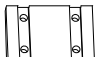
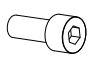


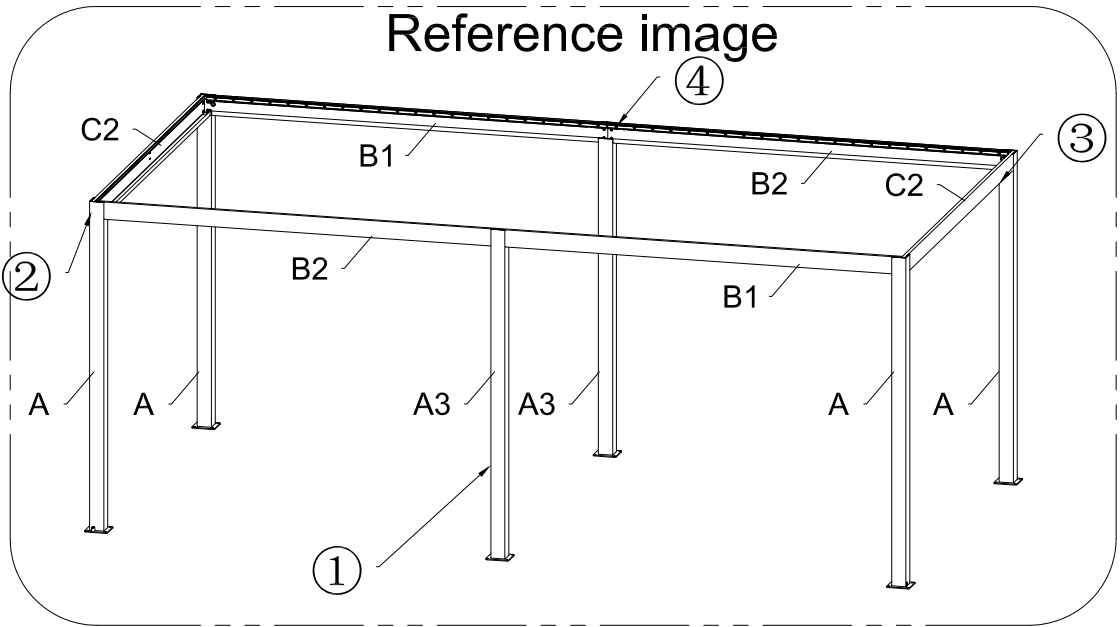
D		QTY:2PCS					
E		QTY:2PCS					
L2		QTY:4PCS	L3		QTY:8PCS	M6	M8*20 QTY:16PCS



Preload
6# Allen key

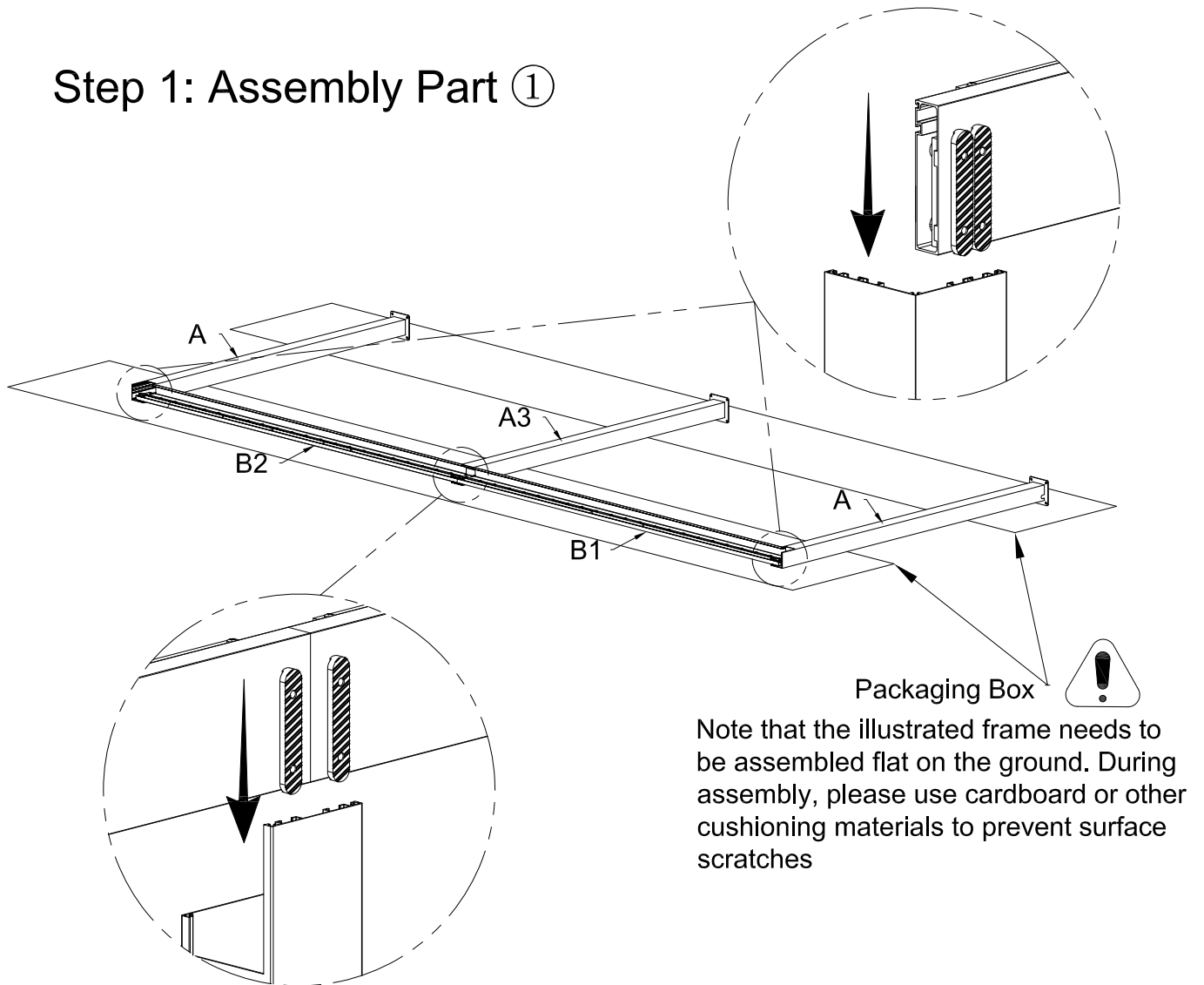
L3		QTY:8PCS
----	---	----------

L14		QTY:2PCS	M6		M8*20	QTY:8PCS
-----	---	----------	----	---	-------	----------

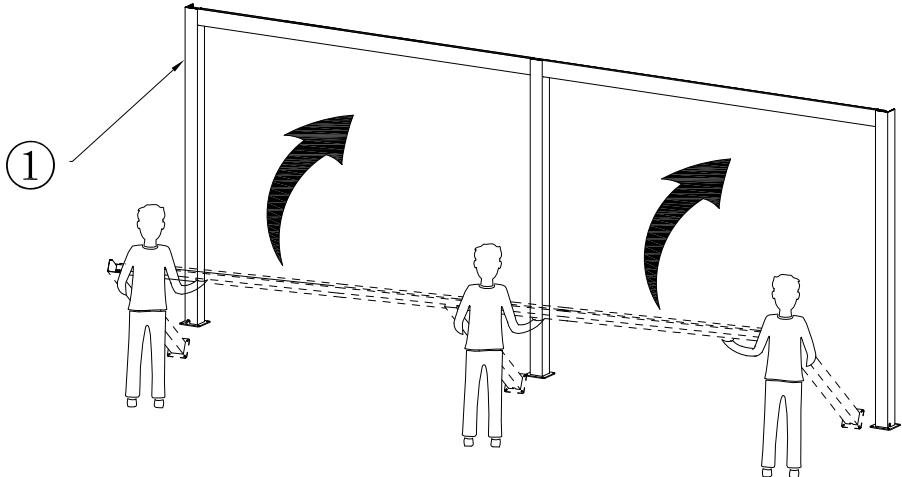


5. Assembly framework

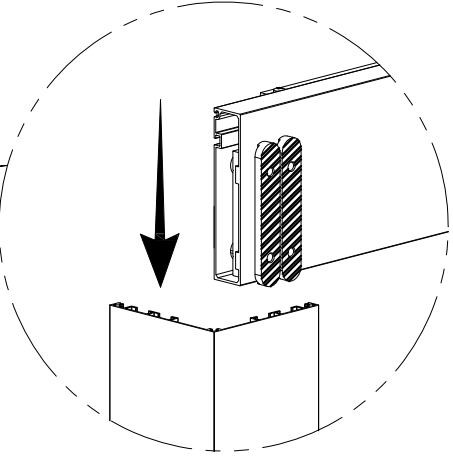
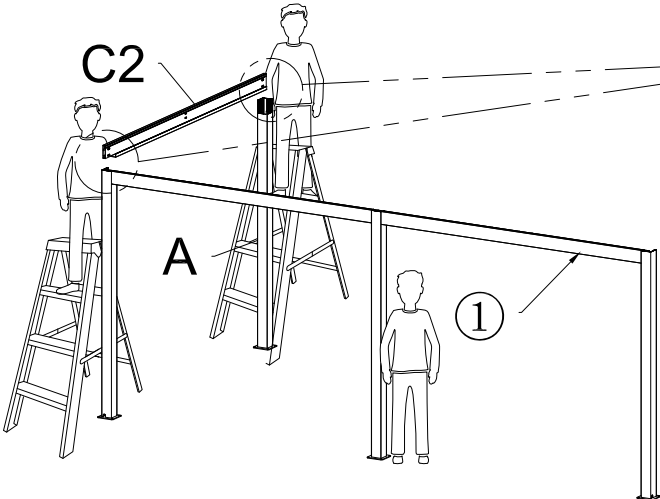
Step 1: Assembly Part ①



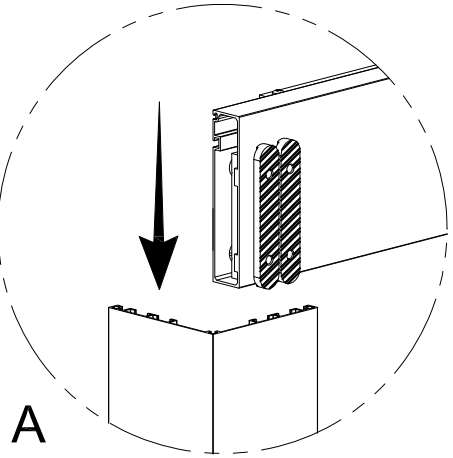
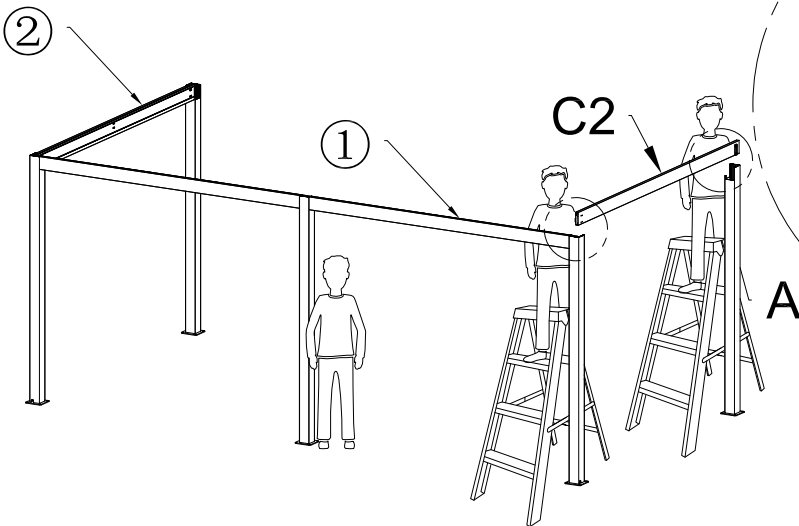
Step 2: Three staff members work together to lift the framework ①



Step 3:

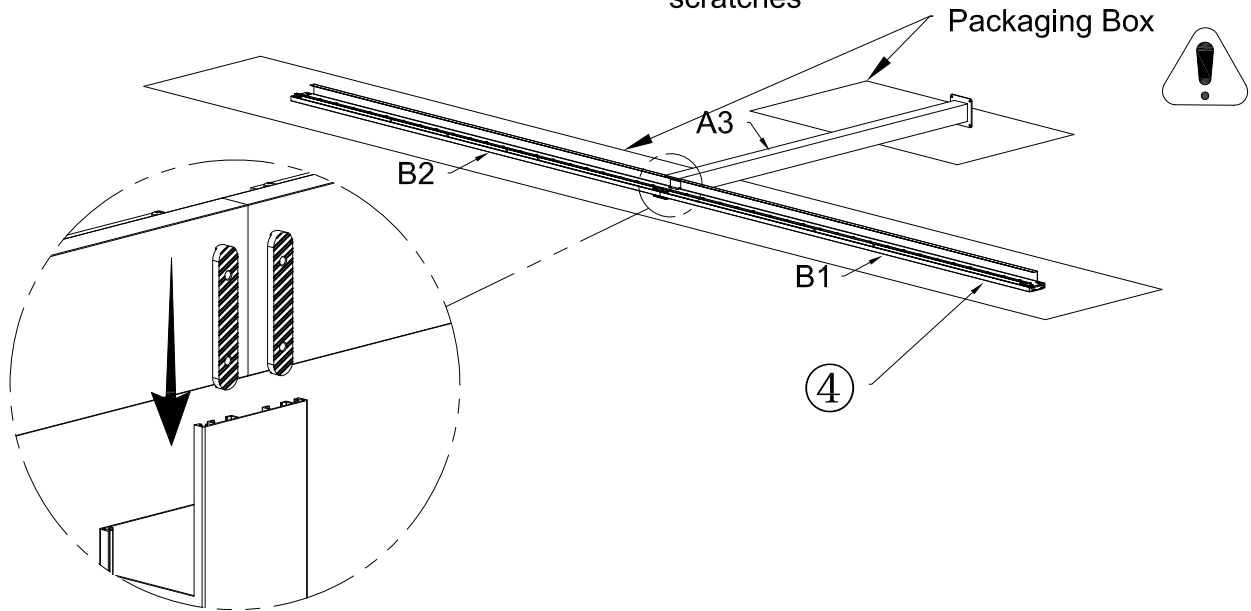


Step 4:

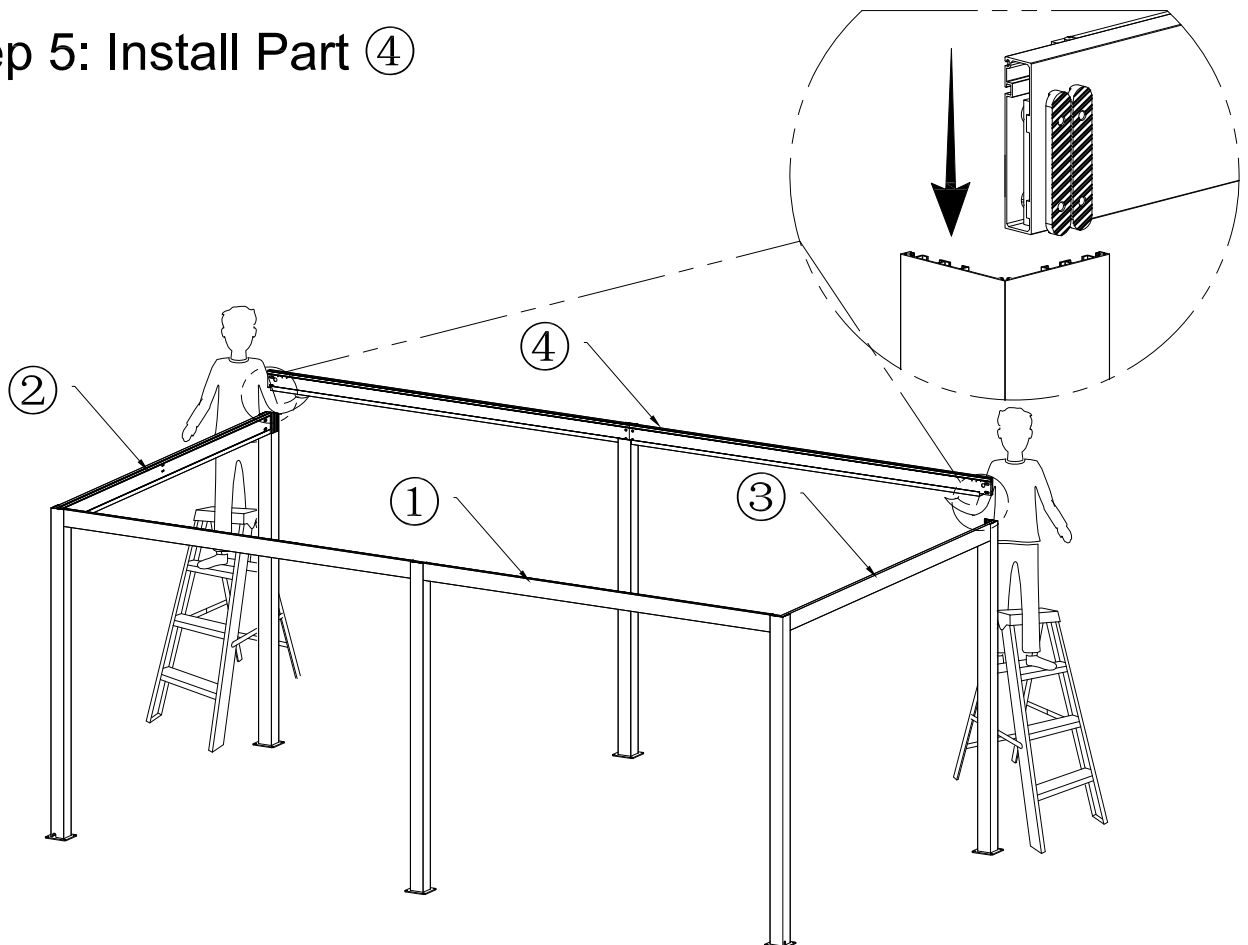


Step 5: Assembly Part ④

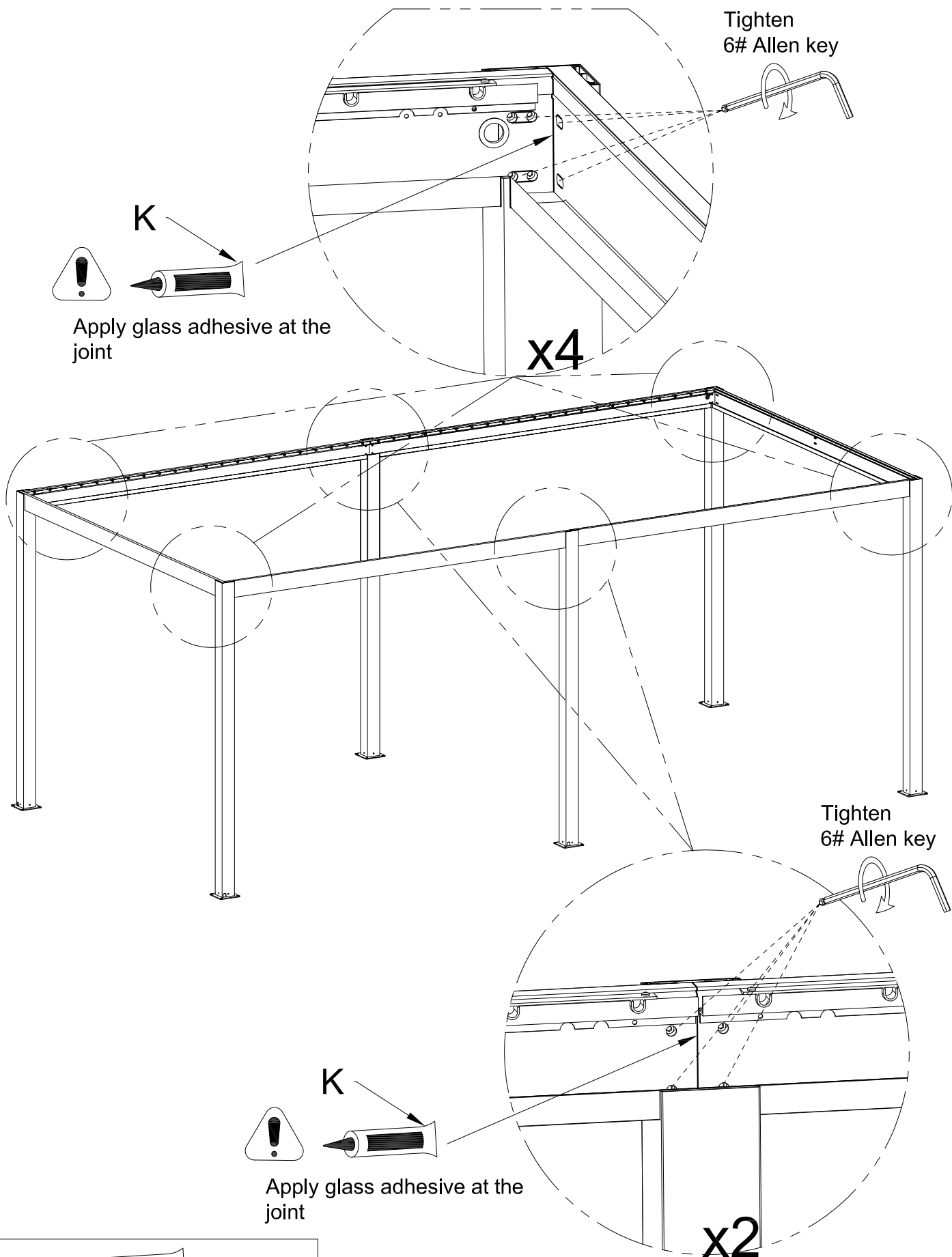
Note that the illustrated frame needs to be assembled flat on the ground. During assembly, please use cardboard or other cushioning materials to prevent surface scratches



Step 5: Install Part ④



5.4 Apply waterproof sealant to the connection of the crossbeam and tighten all screws

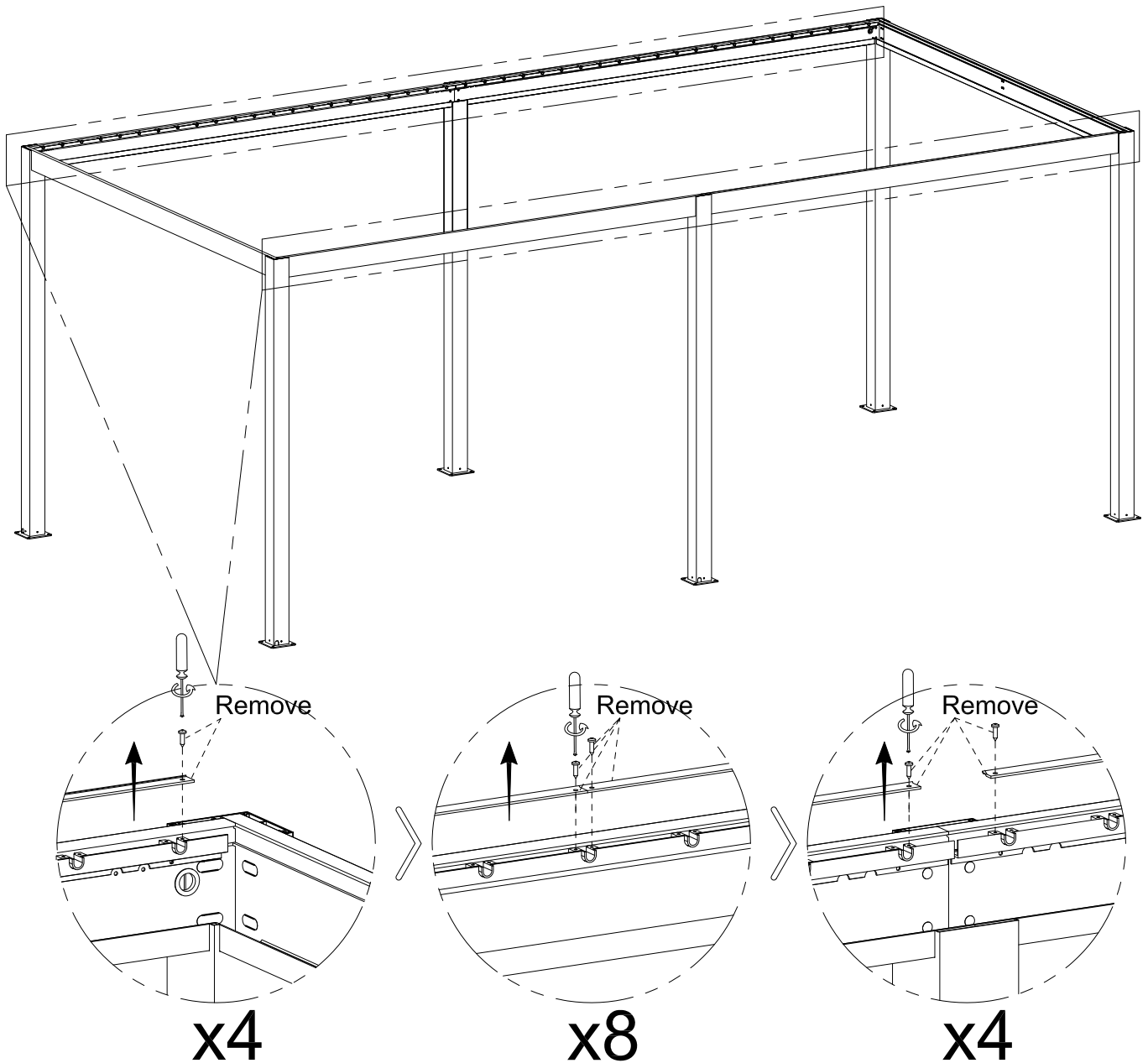


K

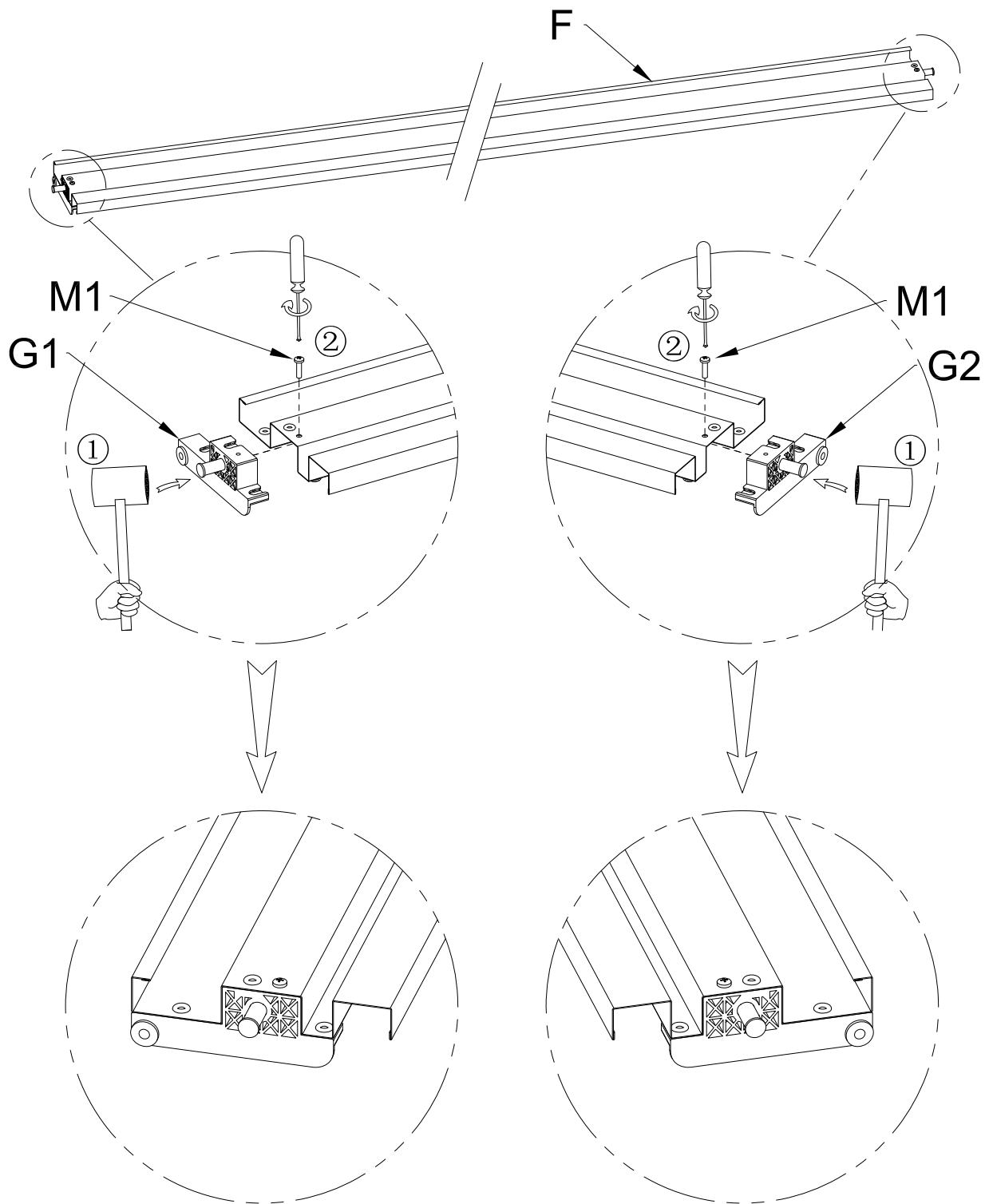



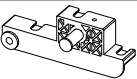
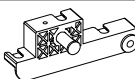

QTY:1PCS

5.5 Dismantle the shaft seat cover plate

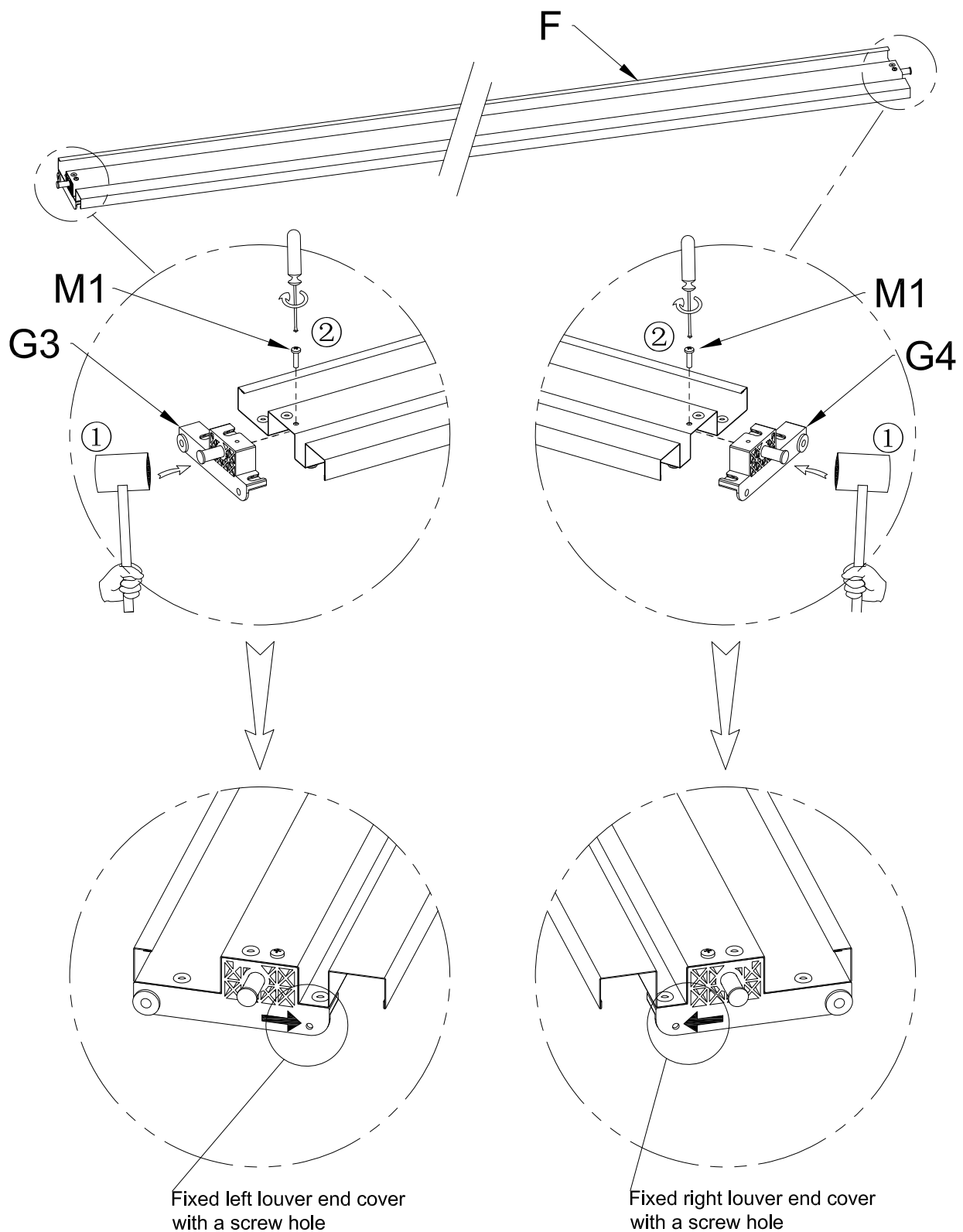



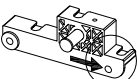
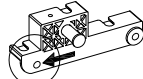
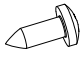
6.1 Assembling ordinary louver components x43



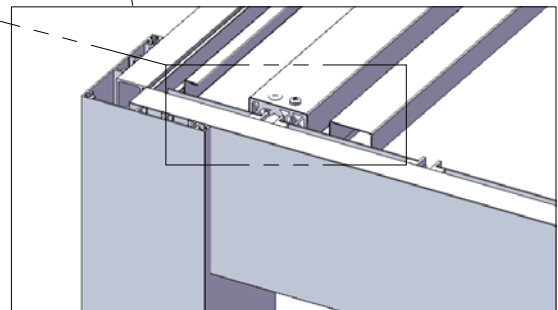
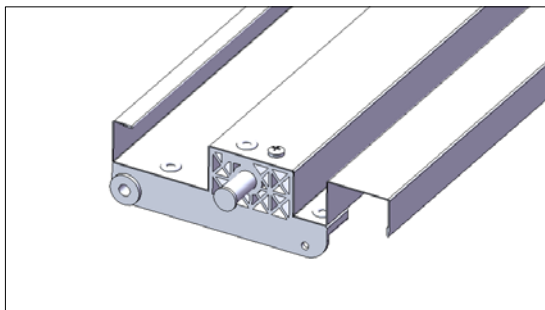
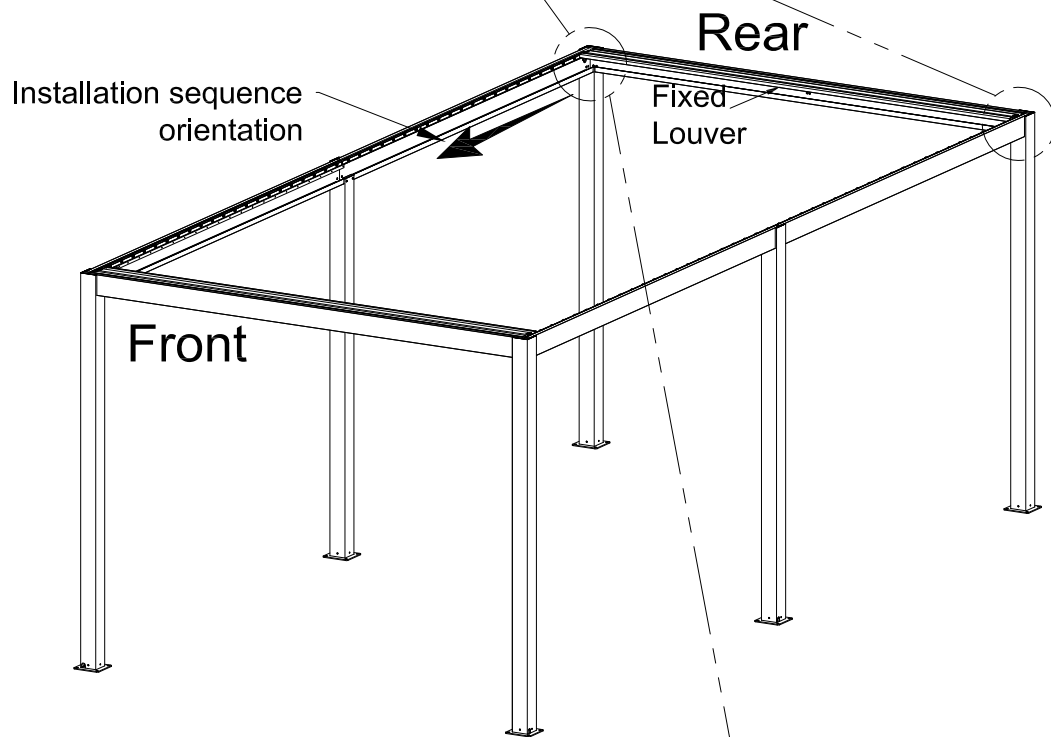
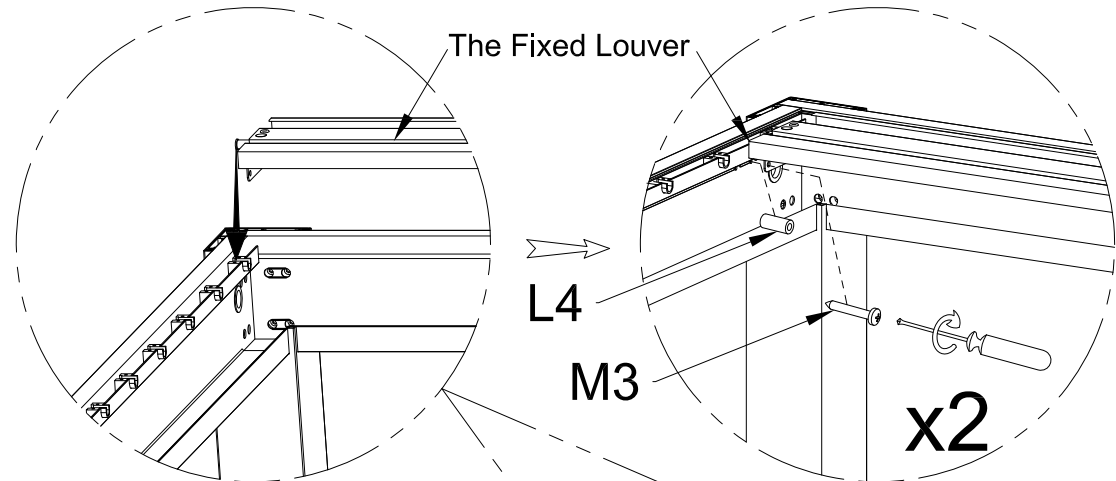
F		QTY:43PCS	
G1		QTY:43PCS	G2 
		M1	 QTY:86PCS ST4.8*16

6.2 Assemble fixed louver components x1

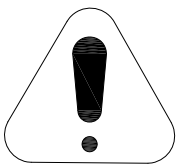


F		QTY:1PCS						
G3		QTY:1PCS	G4		QTY:1PCS	M1		QTY:2PCS
							ST4.8*16	

7.1 Install the last louver



Installation effect diagram



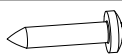
Tips:
The remaining louver orientation needs to be consistent with the fixed louver.

L4



QTY:2PCS

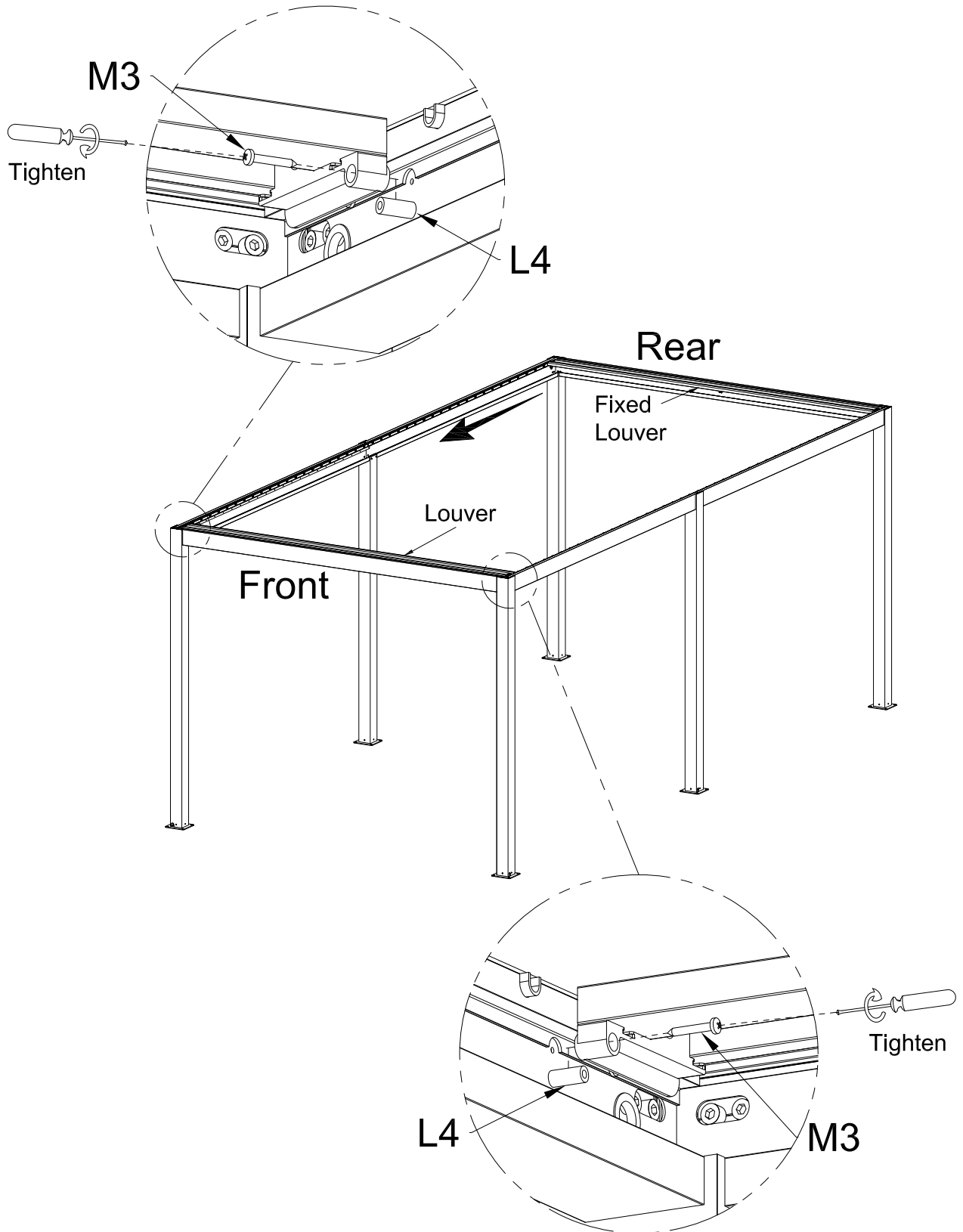
M3

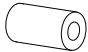



QTY:2PCS

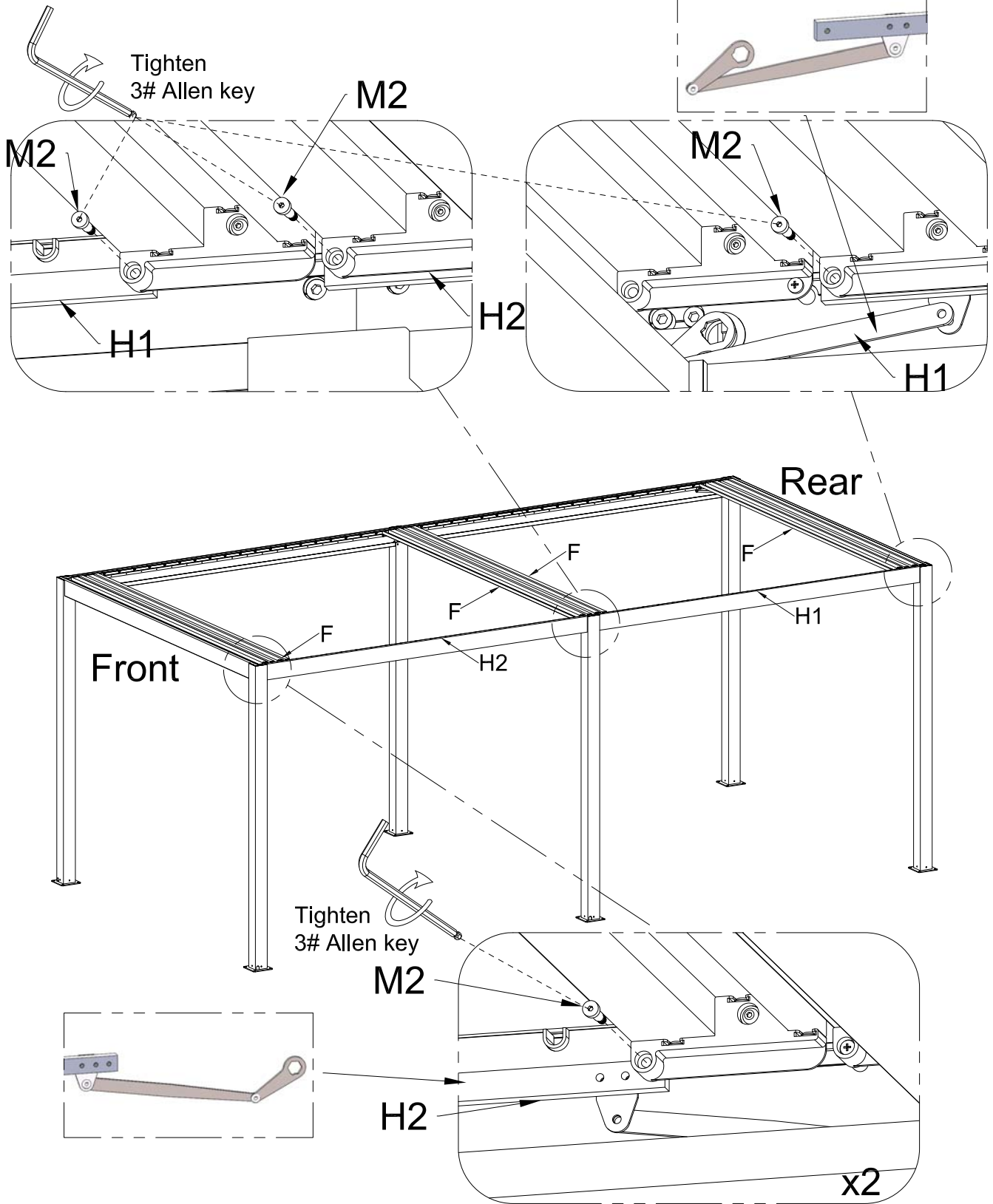
ST4.8*45

7.2 Install the 1st louvrer



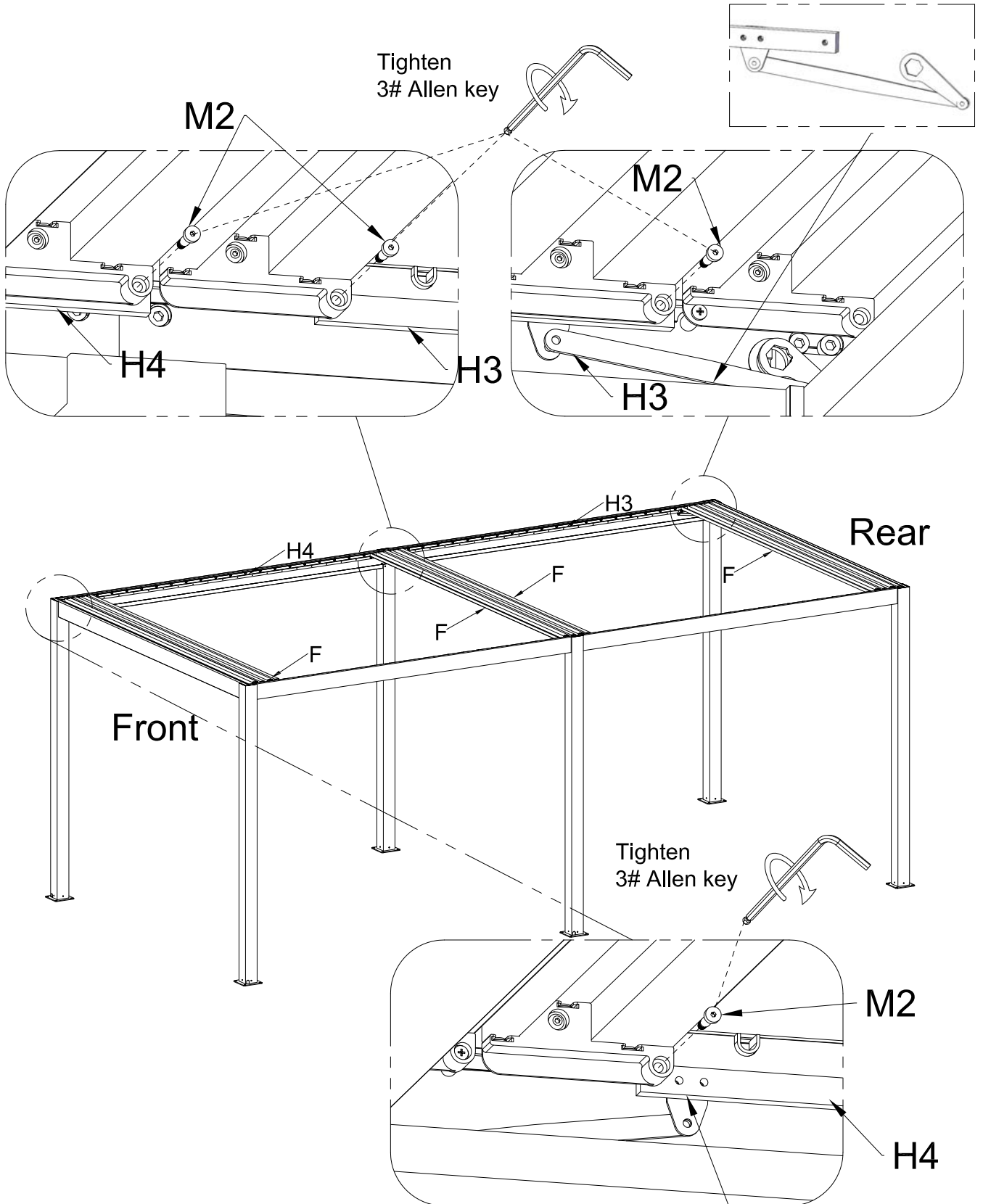
L4		QTY:2PCS	M3		QTY:2PCS
ST4.8*45					

7.3 Install the 2nd & middle louvers



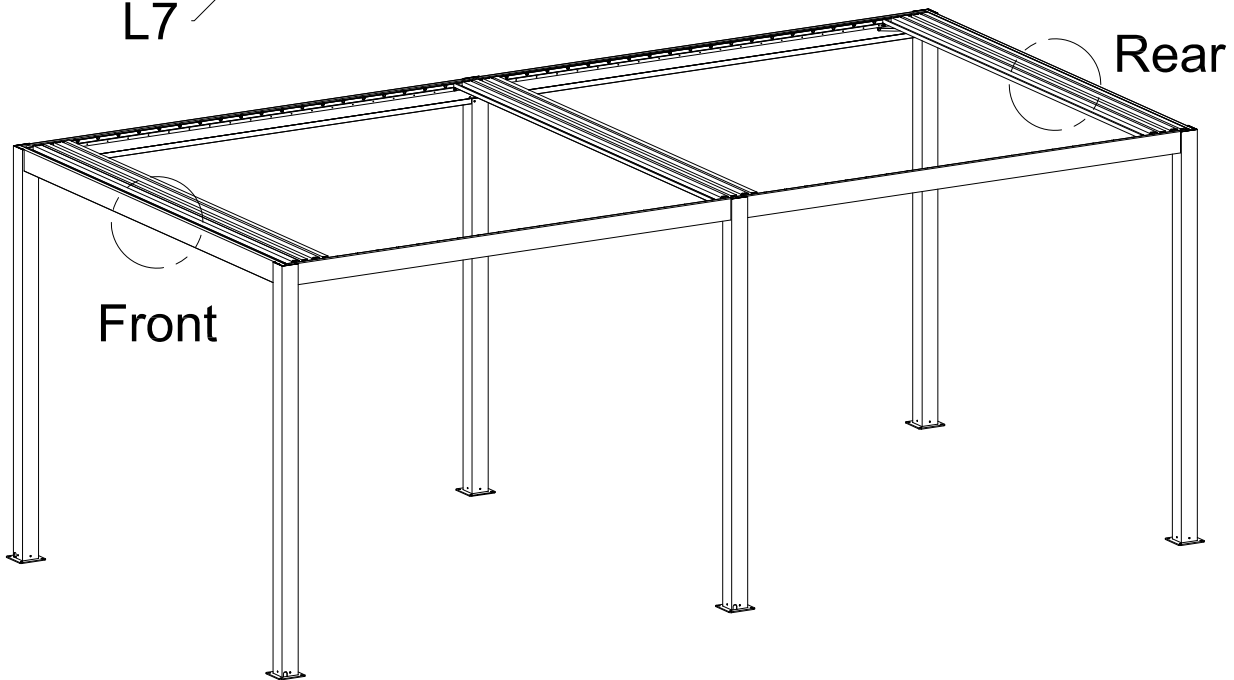
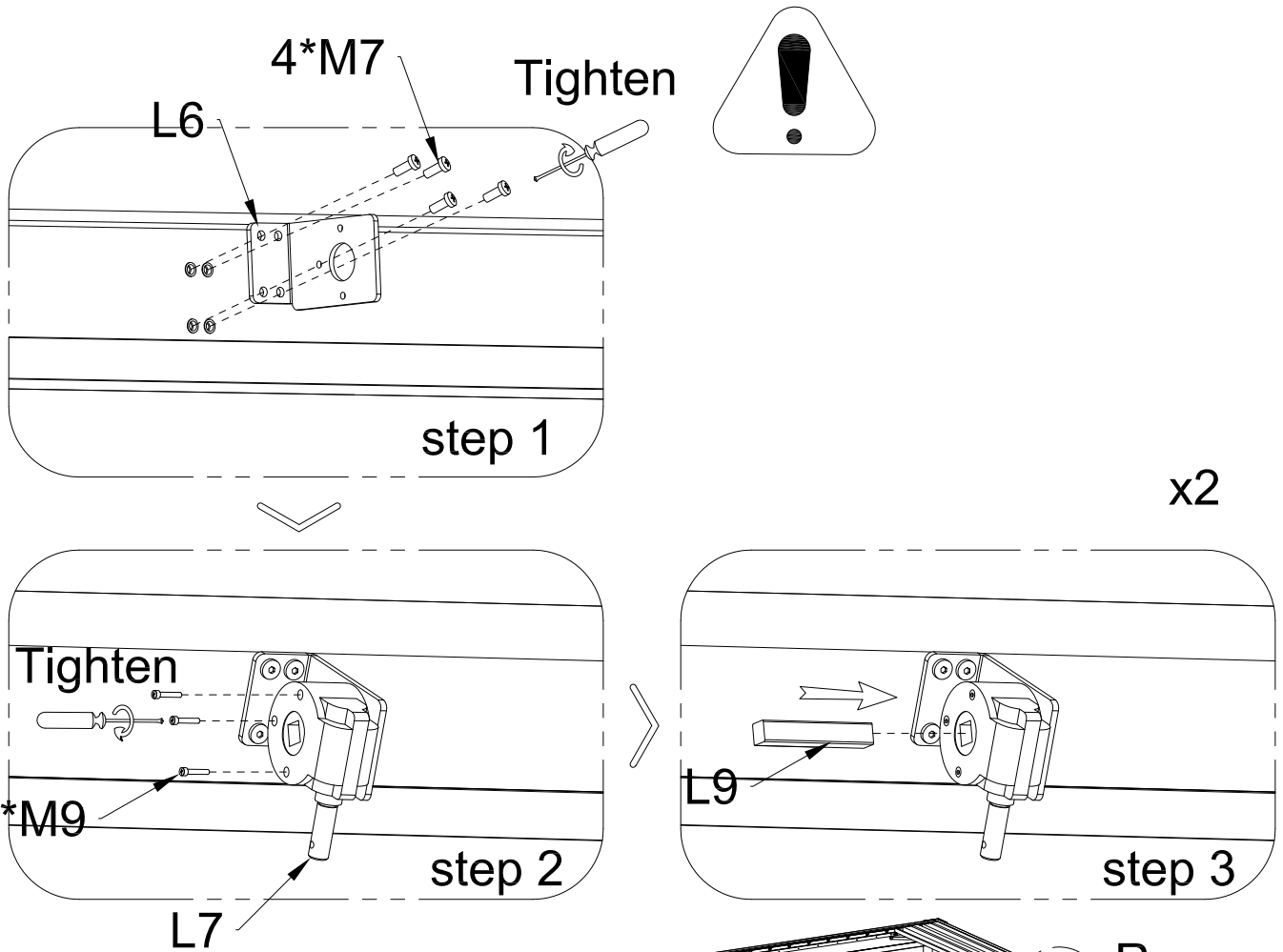
H1		QTY:1PCS
H2		QTY:1PCS
M2		QTY:4PCS φ6*16*M5

7.4 Install four louvers and push rods H3&H4



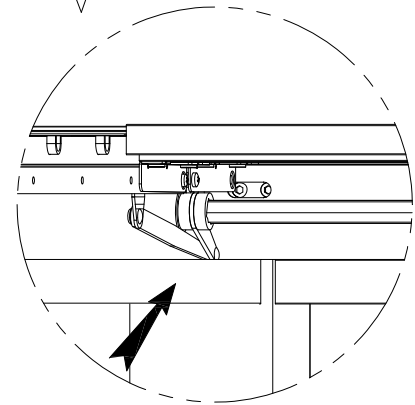
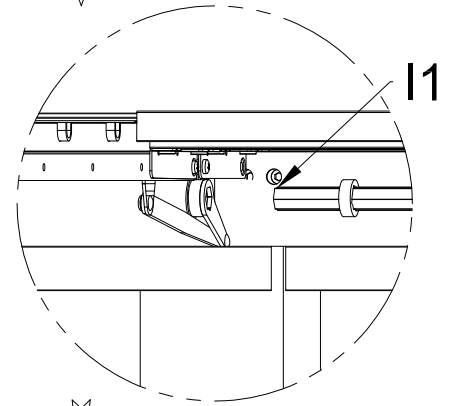
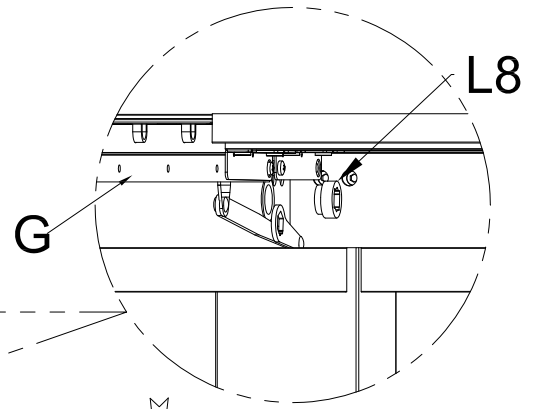
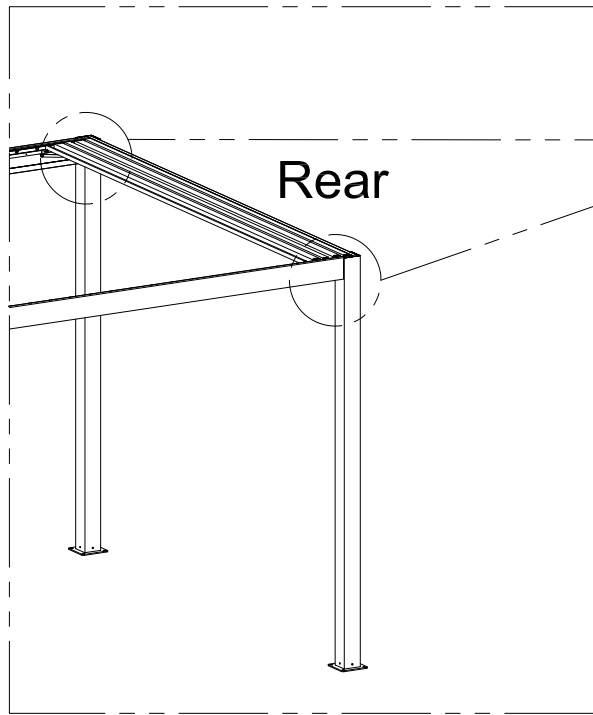
H3		QTY:1PCS	
H4		QTY:1PCS	M2 QTY:4PCS $\phi 6 * 16 * M5$

8. Install two sets of gear boxes on the front and rear crossbeams respectively

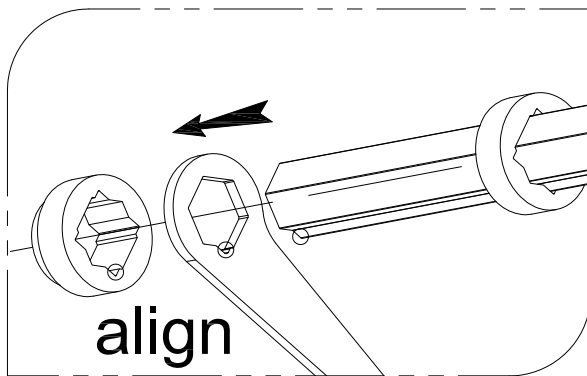


L6		QTY:2PCS	L7		QTY:2PCS
L9		QTY:2PCS	M7	 M6*16	QTY:8PCS
			M9	 M6*30	QTY:6PCS

8.1 Assemble rear crossbeam rotating shaft



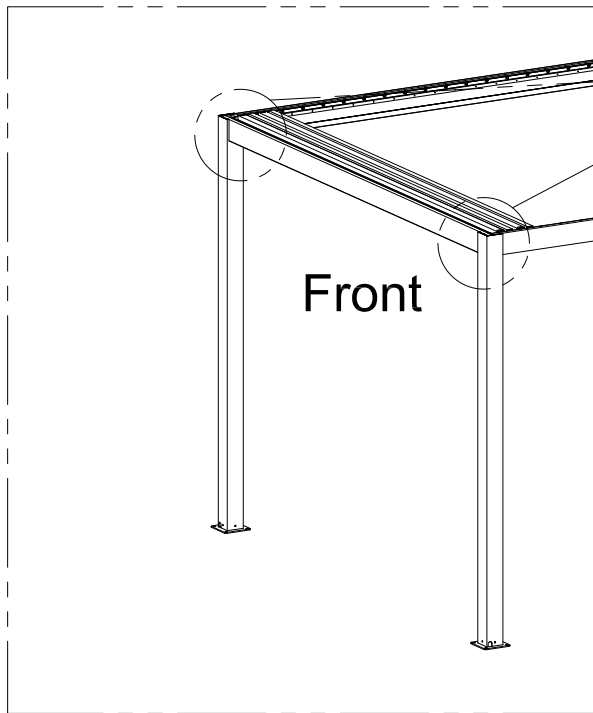
Please note that the installation steps shown in the diagram are single-sided installation methods
The operation on the other side is the same



Note that the front crossbeam push rod needs to be installed according to the diagram

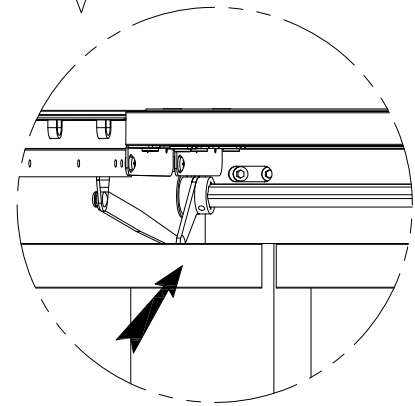
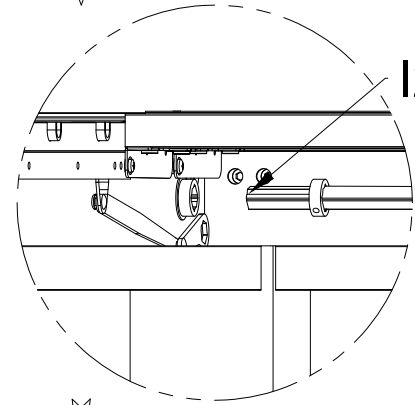
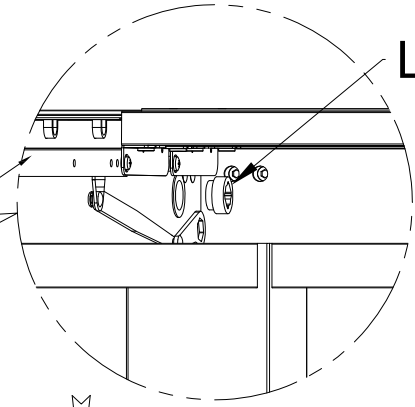
I1		QTY:1PCS		
I2		QTY:1PCS	L8	QTY:2PCS

8.2 Assembling the front crossbeam rotating shaft

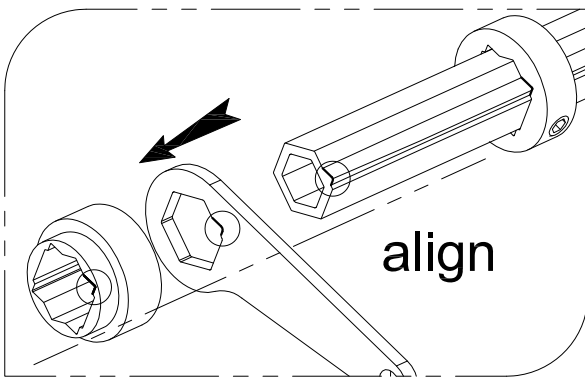


G

L8



Please note that the installation steps shown in the diagram are single-sided installation methods
The operation on the other side is the same



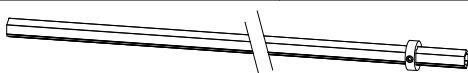
Note that the front crossbeam push rod needs to be installed according to the diagram

I1



QTY:1PCS

I2



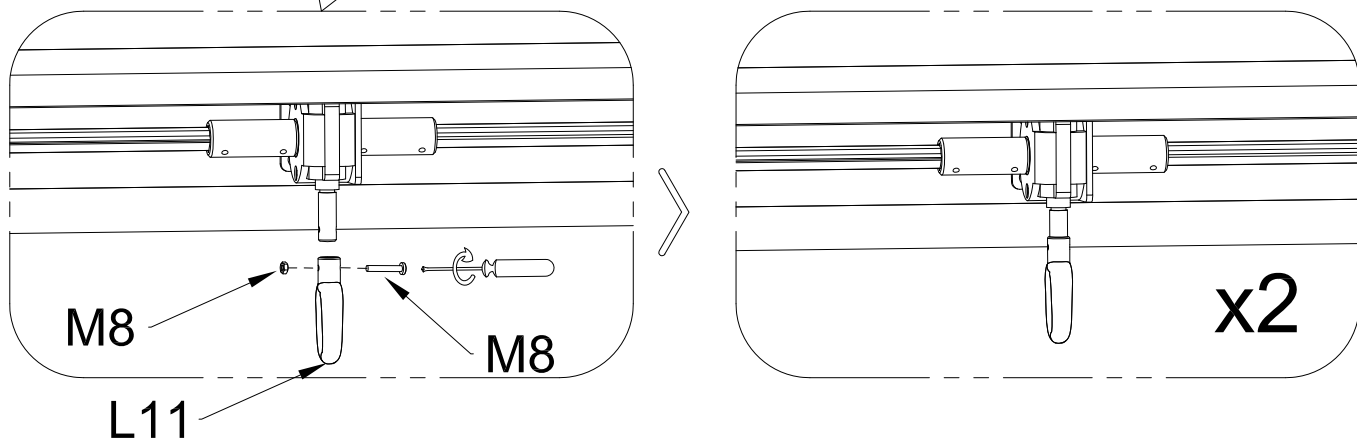
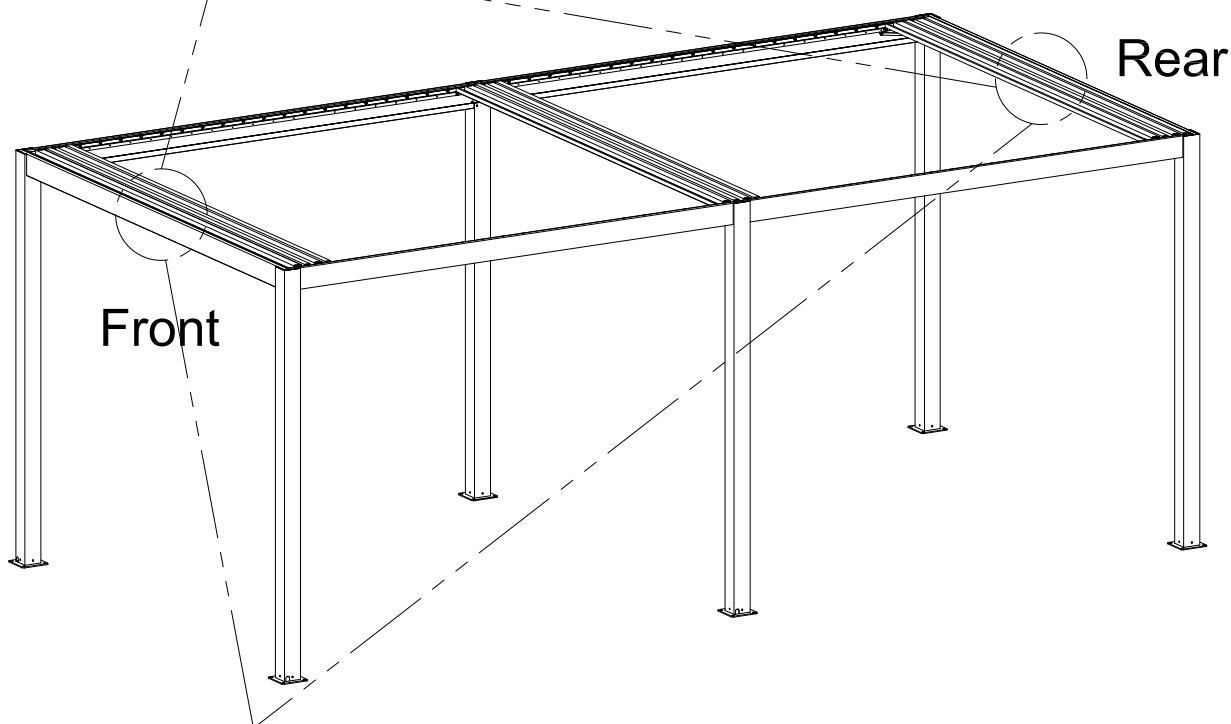
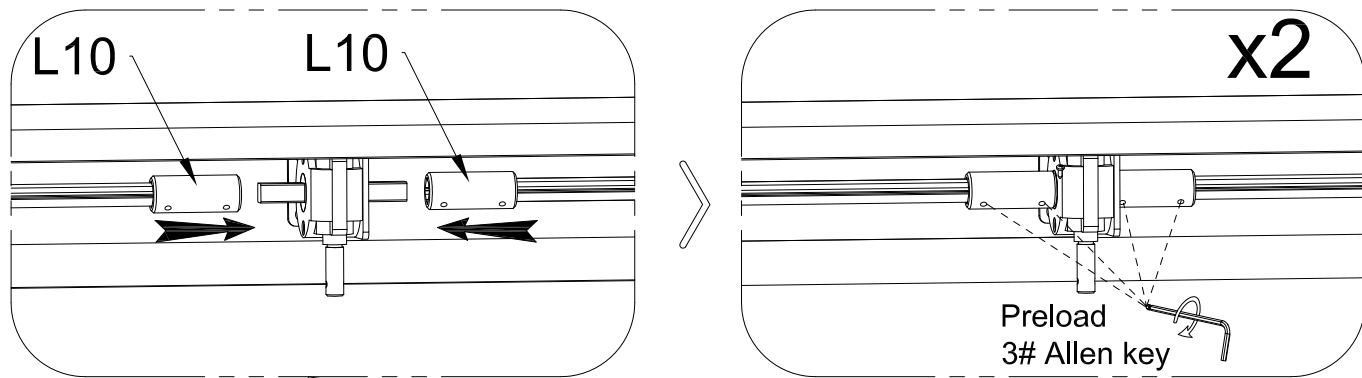
QTY:1PCS


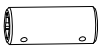

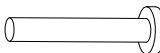
L8

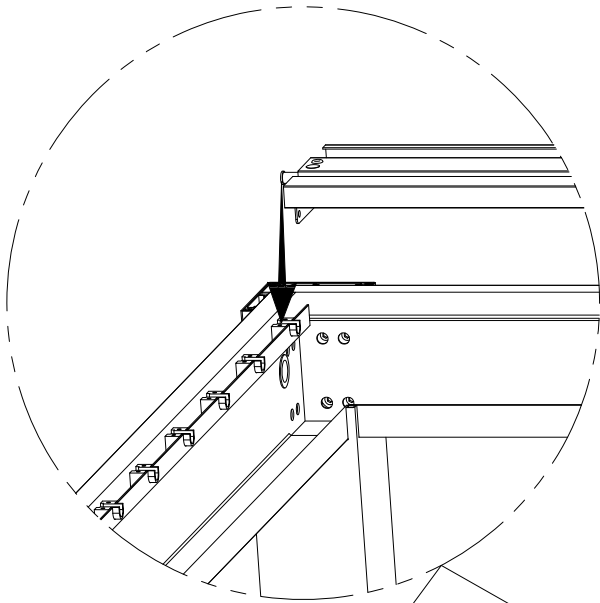


QTY:2PCS

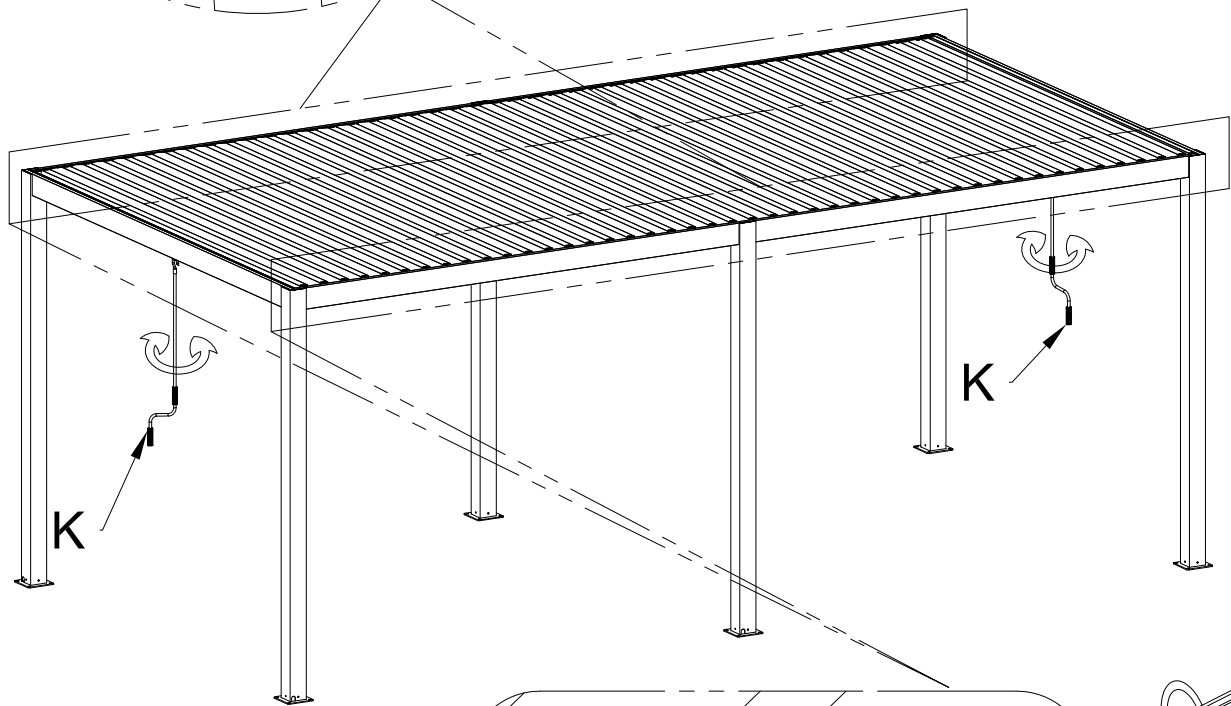
8.3 Fix the connection between the hexagonal bar and the gearbox, and install the gearbox hinge ring



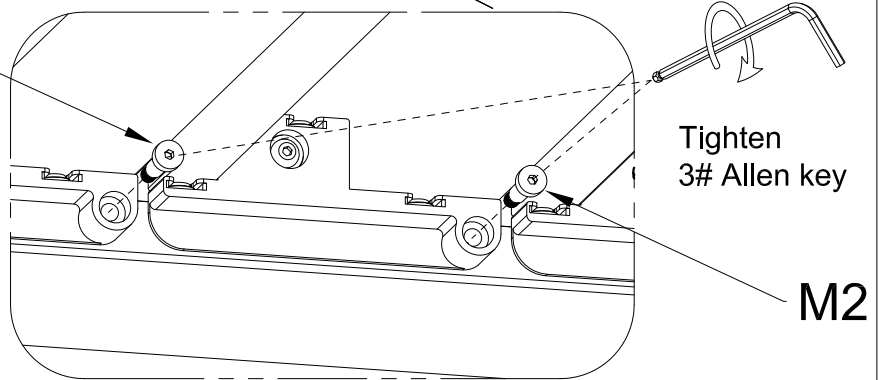
L11		QTY:2PCS	L10		QTY:4PCS	M8			QTY:2PCS M4&M4*20
-----	---	----------	-----	---	----------	----	---	---	----------------------



9.1 Insert all louvers and combine with push rods



M2



9.2 Test the flexibility of opening and closing the product to ensure there are no abnormal sounds

J



QTY:2PCS

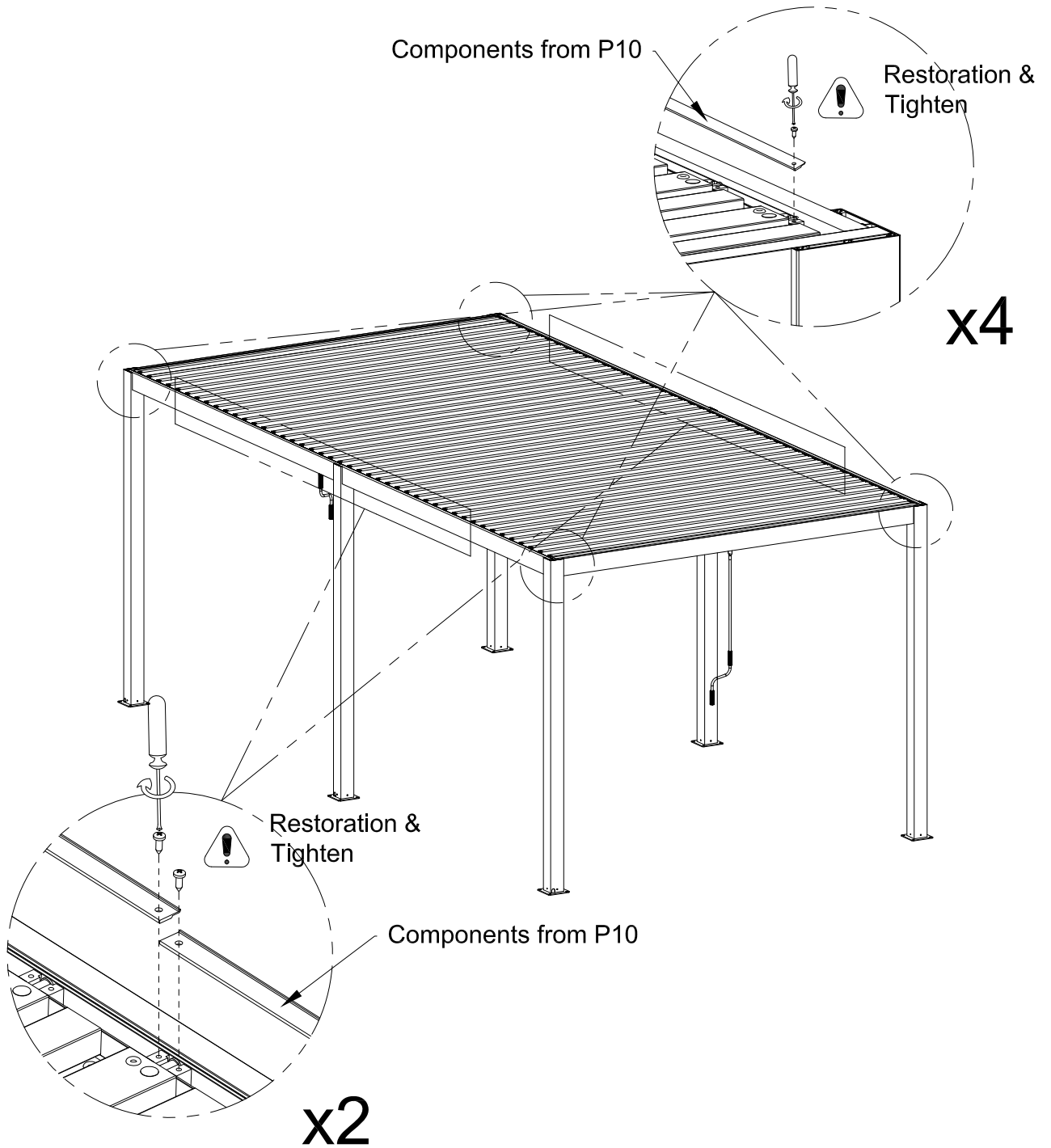
M2



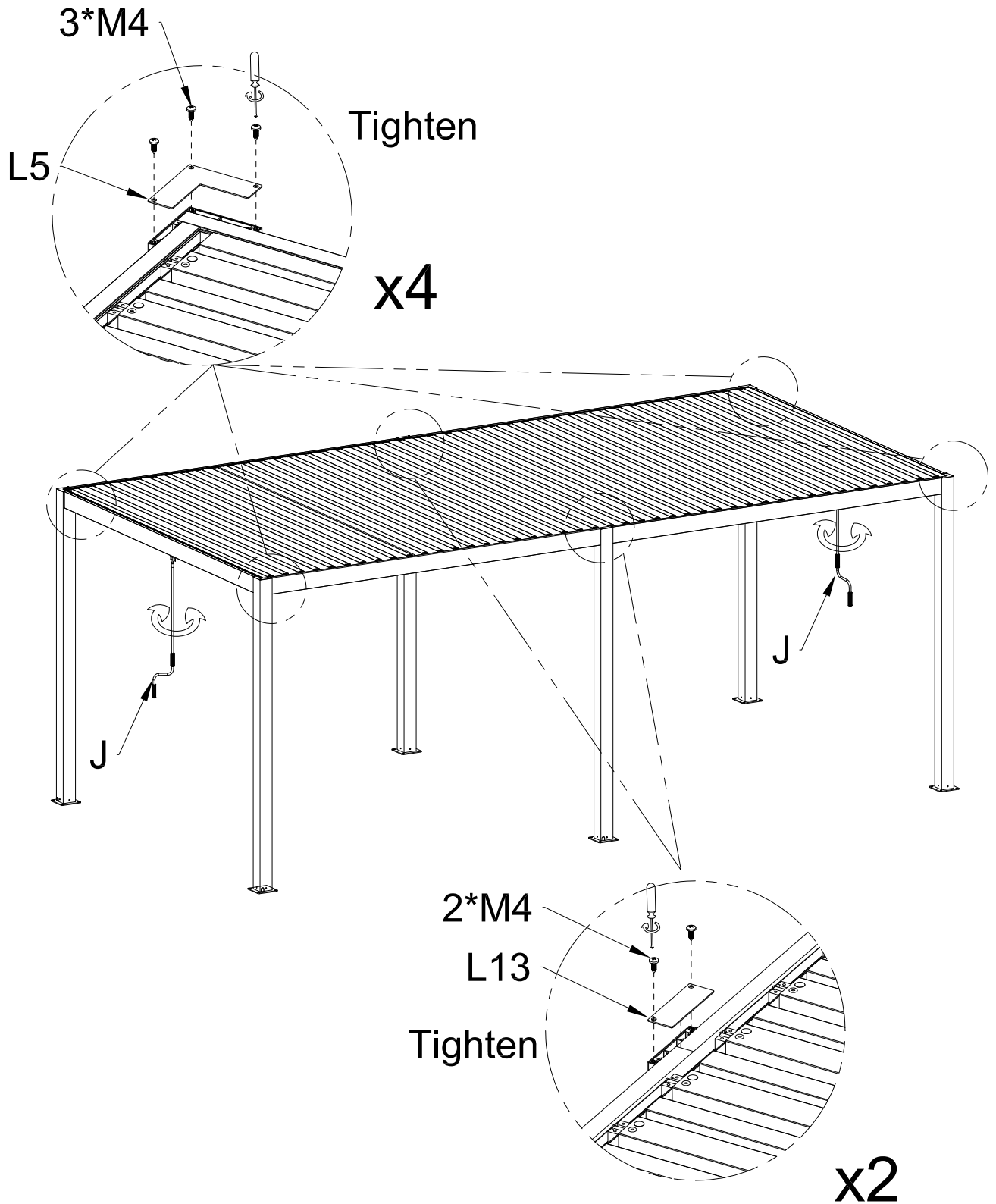
QTY:76PCS

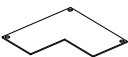

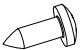
$\phi 6 * 16 * M5$

10. Please ensure recovery Pre removed shaft seat cover plate

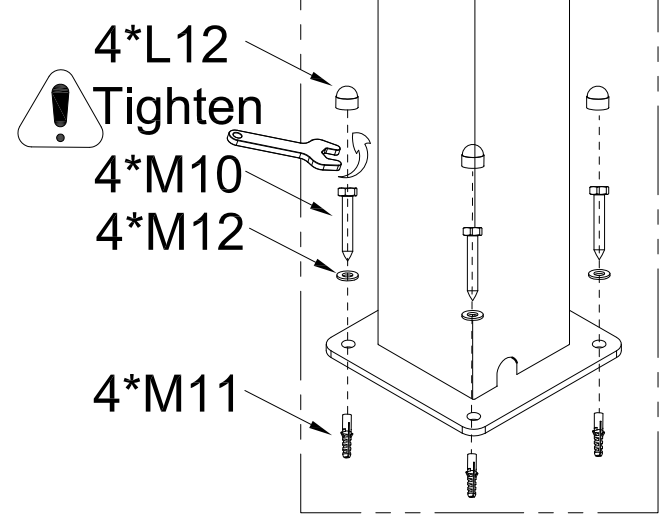
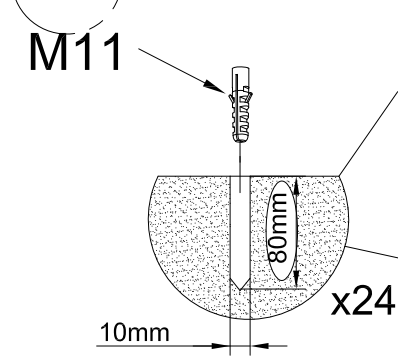
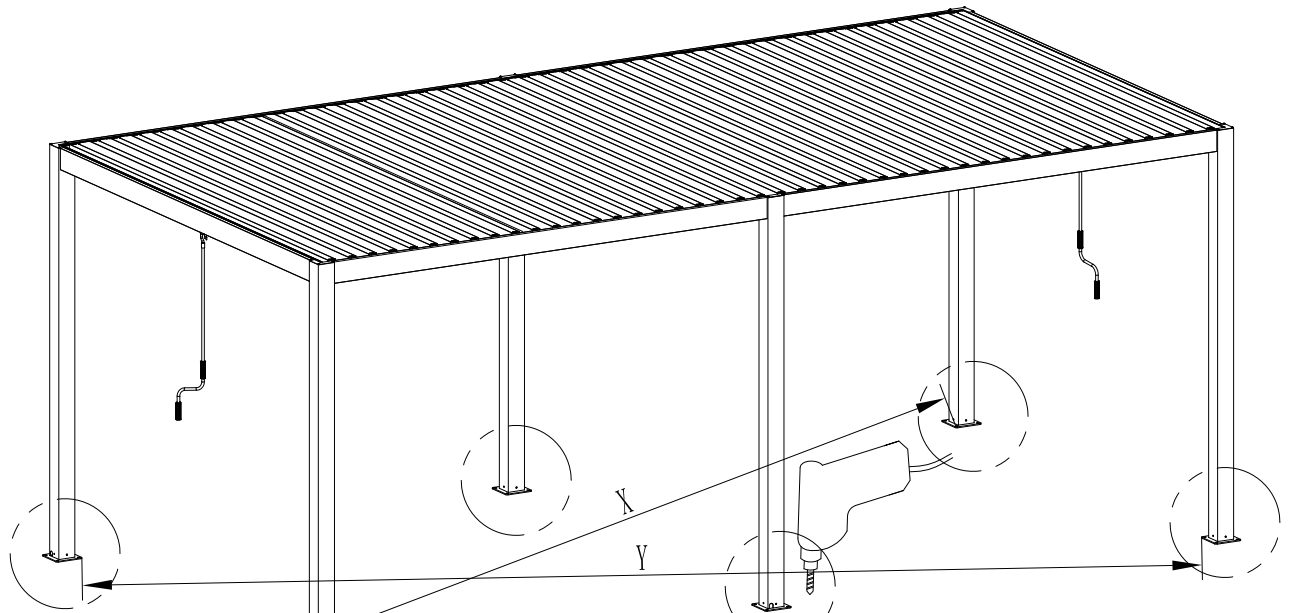



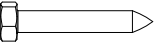


11. Fixed column cover plate



L5		QTY:4PCS
L13		QTY:2PCS
M4		QTY:16PCS ST5.5×16

12. Fixed column



L12		QTY:24PCS
M10	 M8*75	QTY:24PCS
M12	 φ8*1	QTY:24PCS
M11	 φ10*50	QTY:24PCS