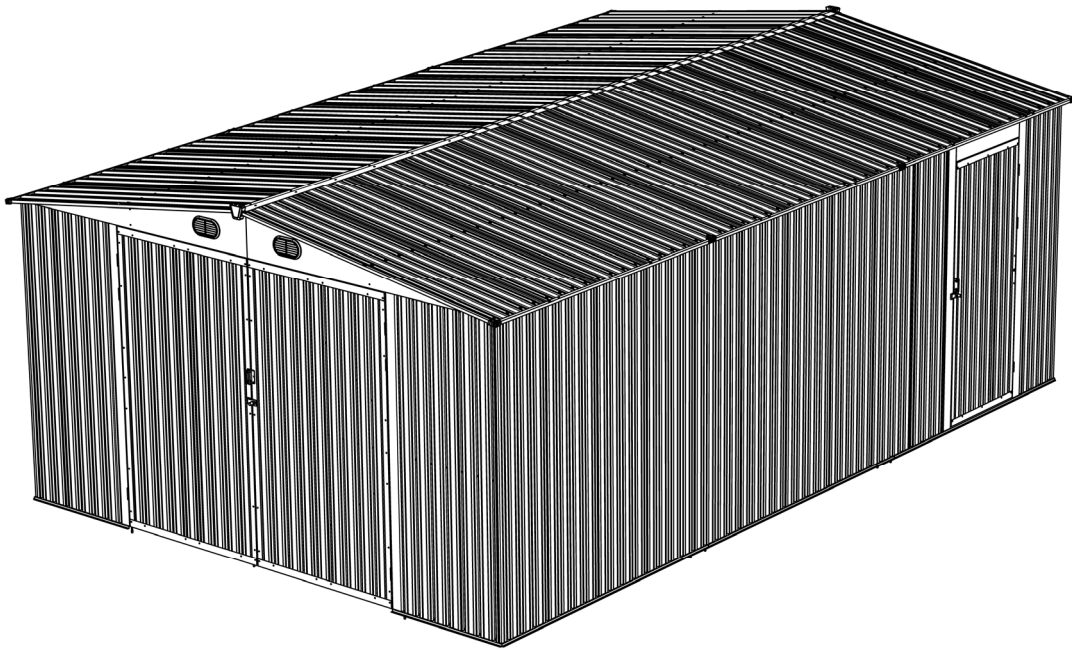




**13\*20ft Garden Metal Garage Shed  
Installation Instructions  
W157" x D238.6" x H91"**



**Thank you for choosing us!**

Please let us know if you have any concerns.

CHERY INDUSTRIAL

[www.cheryindustrial.com](http://www.cheryindustrial.com)

T: 888-589-8148

E:[service@cheryindustrial.com](mailto:service@cheryindustrial.com)

**The product comes in one carton. Please install on a leveled place.**

## Site Selection

Avoid overhanging trees as much as possible as leaves will make regular cleaning necessary and broken branches are a potential hazard. Small trees, bushes or fences nearby can be helpful, acting as a wind break.

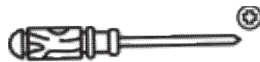
## Site Preparation

The site must be prepared so that the base of the shed is level all round and checking with a spirit level is required. The base can be constructed by treated timber or concrete, in order to stop the moisture getting into the shed. The shed is not designed to be built onto lawn directly. Also the ground will get muddy during rainy days. If a concrete pad is made, it is important that this slopes towards the edges to prevent water ingress. Time must be allowed for any concrete or cement to dry before building the shed on top. Bases can also be constructed from bricks, blocks, or mounted on a concrete pad. The bricks or blocks should be cemented onto firm and level concrete footings.

**Please prepare below tools before installation. (Not Included)**



Electric Screwdriver



+ Manual Screwdriver



Ladder



Spanner

**Package included Tools**



Gloves X 1 Pair

## ATTENTION:

1. Please read this instruction carefully before installation and follow it strictly during installation.
2. Ensure that there are no problems later due to installation errors.
3. We have prepared extra screws for you to use in case of loss or damage.

## Installation Notes

Please check the quantity of all parts before installation (refer to the Parts Lists) and the appearance of the products. Make sure the product is correct before installation.

Make sure the colored panels are facing outwards and all the holes match. The panels are textured, please install the panels in the order specified in the instructions. All lines and holes should be matched to make the storage shed more stable. Please ensure that all screws are tightened to prevent the product from falling apart.

There is a protective film on the surface to protect the product, you can tear it off after installation. If you do not damage the film during installation, it can also remain on the product to protect.

Please place the product on a flat ground to prevent leaning and collapse. If the ground is uneven, the door may can't be closed.



## Safety Precautions

We recommend **two adults** to complete the installation. Two adults installed together will make the installation process easier and safer.

The gloves must be carried to prevent hand cuts during installation.














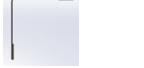


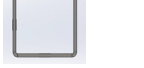



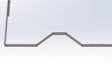









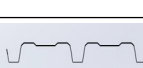





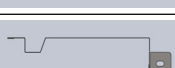



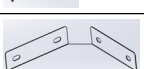





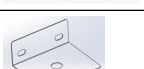



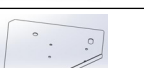






Take care when using power tools near water the use of a residual current device (RCD) is advised.

Please use the electric driver carefully during screwing to prevent the screw from slipping and hurting your hand.

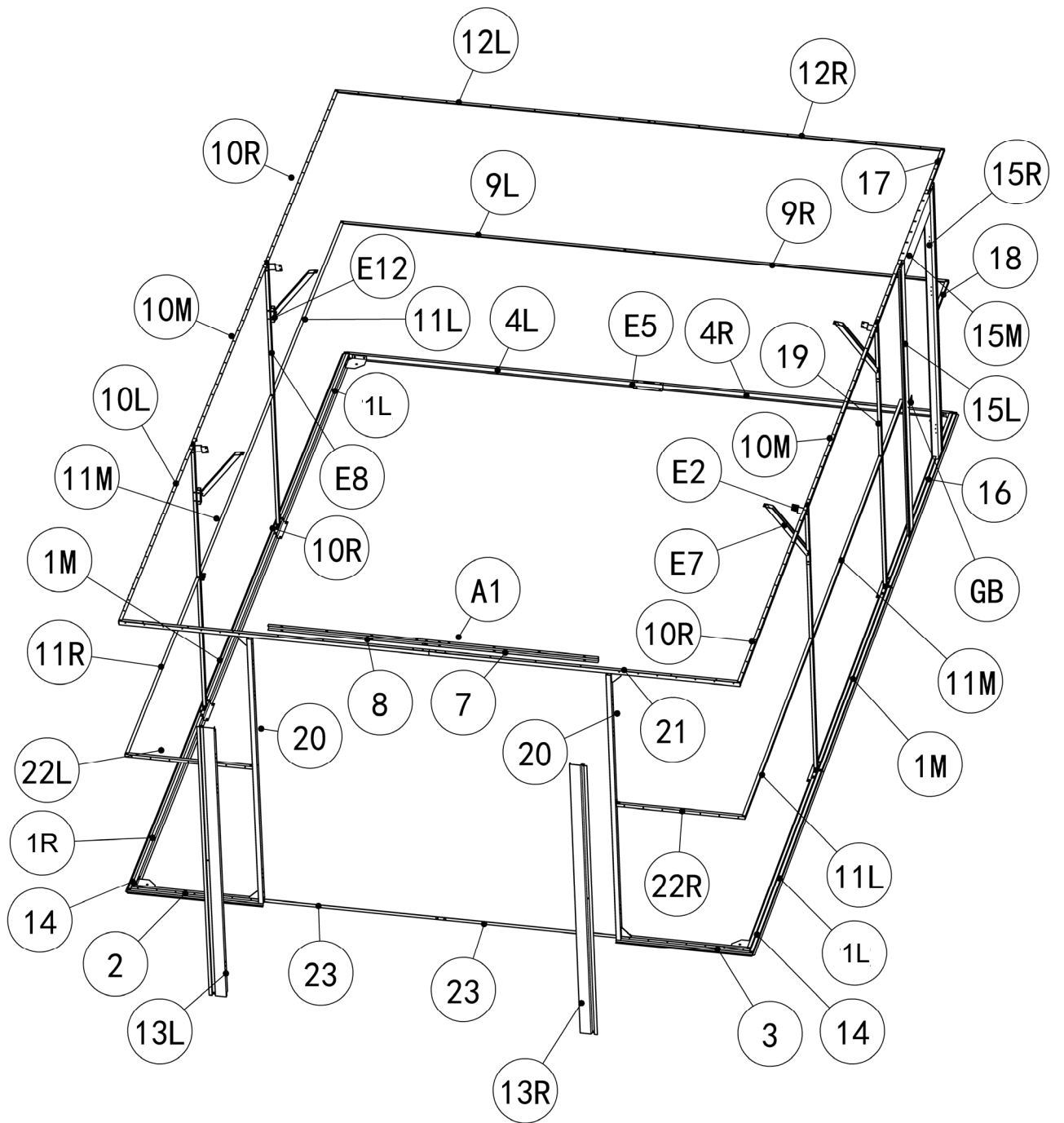
Be careful not to fall when installing the roof. Please steady the ladder and make sure the product placed on a flat ground.

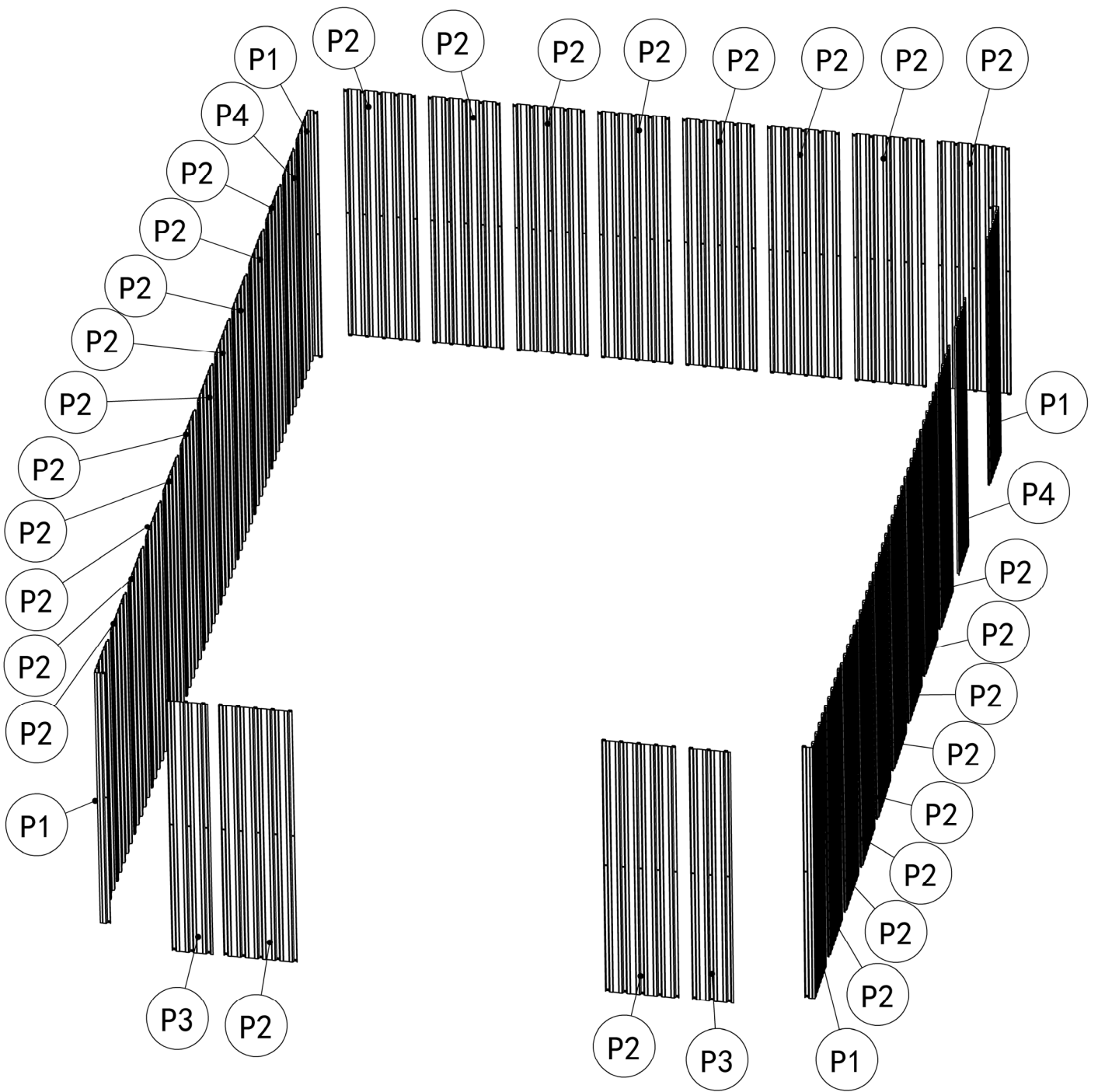
**PLEASE KEEP THIS INSTRUCTION FOR FUTURE REFERENCE.**

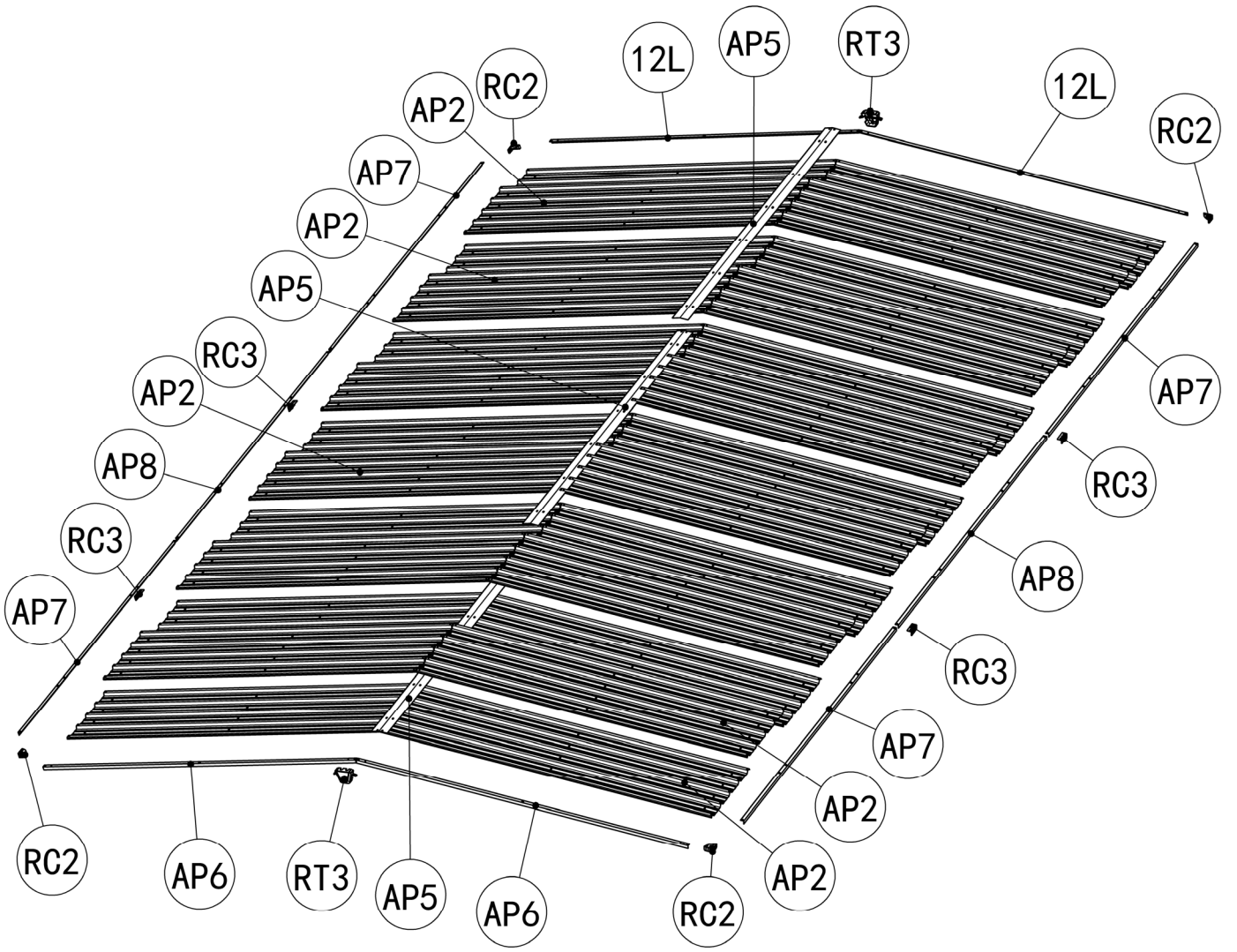
# Component List

Part	No	Qty	Part	No	Qty	Part	No	Qty
	4L	1		15L	1		AP6	4
	4R	1		15R	1		AP7	4
	1L	2		16	1		AP8	2
	1R	1		10M	2		C2	2
	2	1		11M	2		C3	2
	3	1		17	1		CL	2
	1M	2		18	1		CR	2
	P1	4		19	1		CM	2
	P2	28		20	2		C4	4
	P4	2		21	4		D1	2
	P3	2		15M	1		D2	4
	13L	1		22L	1		D3	2
	13R	1		22R	1		D4	2
	8	1		14	4		D5	1
	7	1		23	2		D6	1
	A1	1		24	2		D7	4
	10R	2		ABL	2		D8	4
	12L	1		ABR	2		D9	3
	12R	1		ABM	2		D10	4

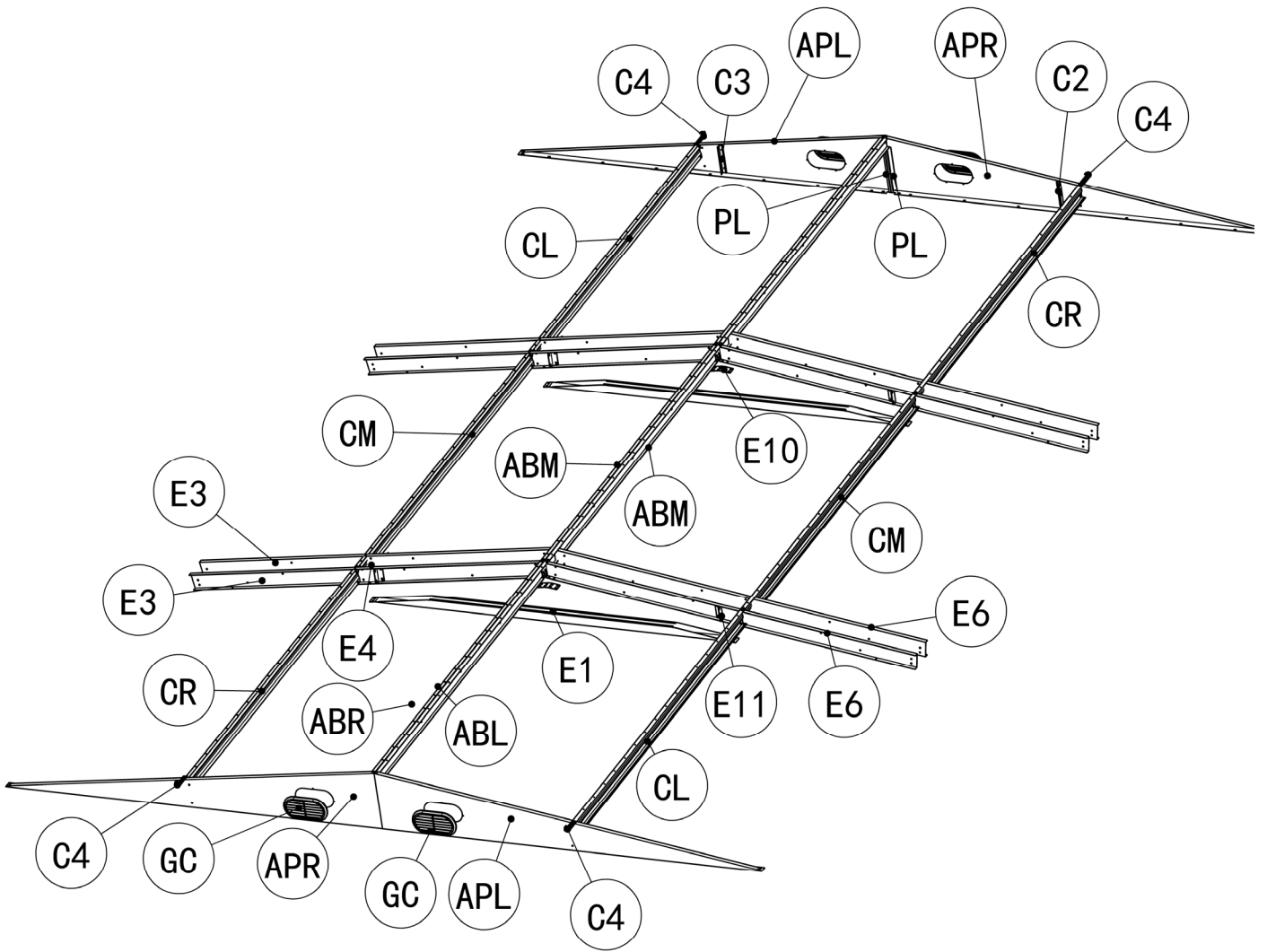
	10L	1		APL	2		D11	1
	11L	2		APR	2		D12	2
	11R	1		PL	4		D13	1
	9L	1		AP2	26		D14	1
	9R	1		AP5	3		D15	1
	D16	1		E6	4		F16	12
	D17	1		E7	4		F8	302
	D18	2		E8	4		F7	761
	D19	1		E9	26		RC2	4
	D20	2		E11	4		RC3	4
	D21	1		E10	2		GF	4
	E1	2		E12	4		RT3	2
	E2	4		F4	20		S1	9
	E3	4		F1	996		GB	2
	E4	4		F6	230		F11	62
	E5	5		F2	135		F14	4
	GD	2		F13	60		F15	4
	GE	11		F12	6		F17	6

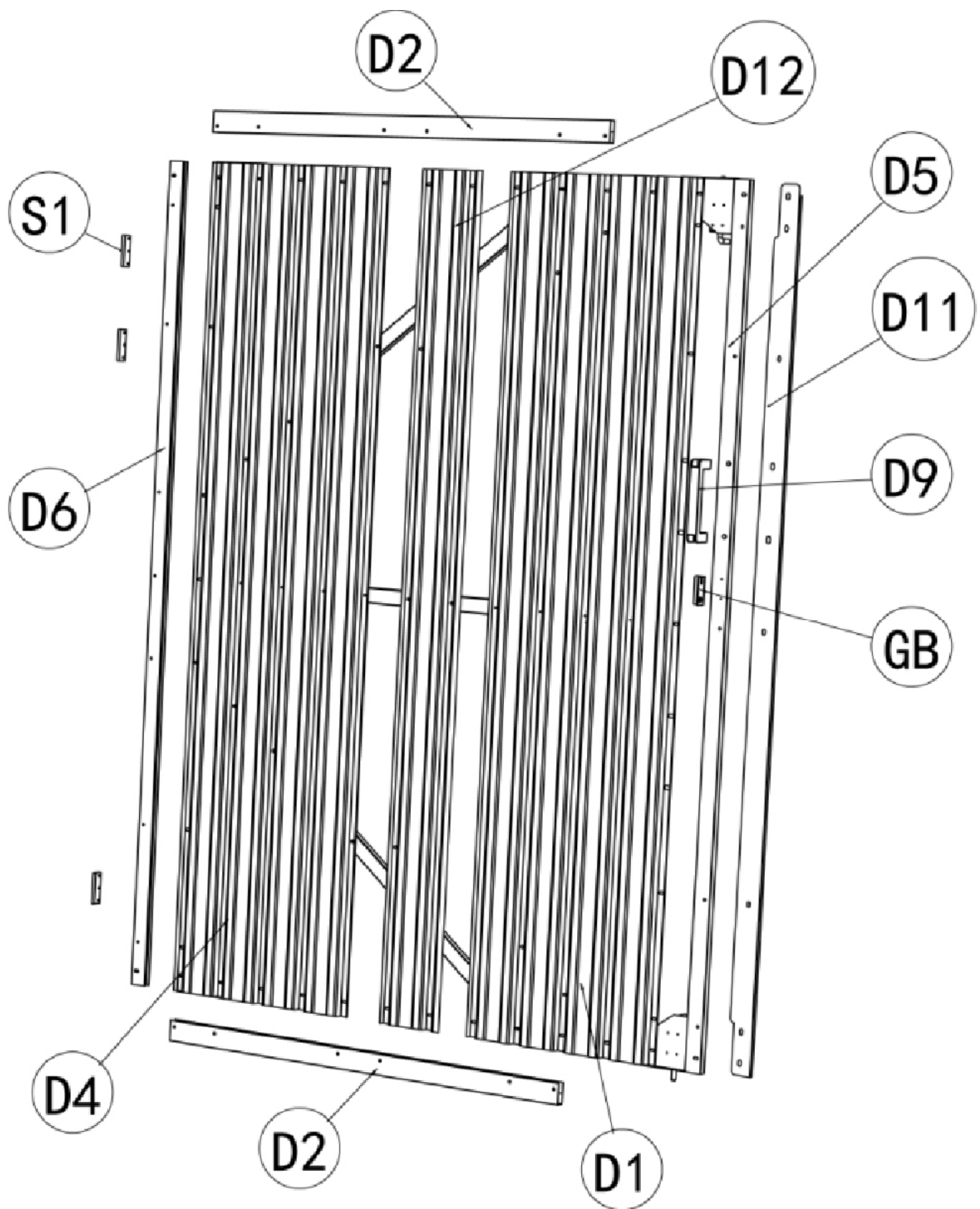


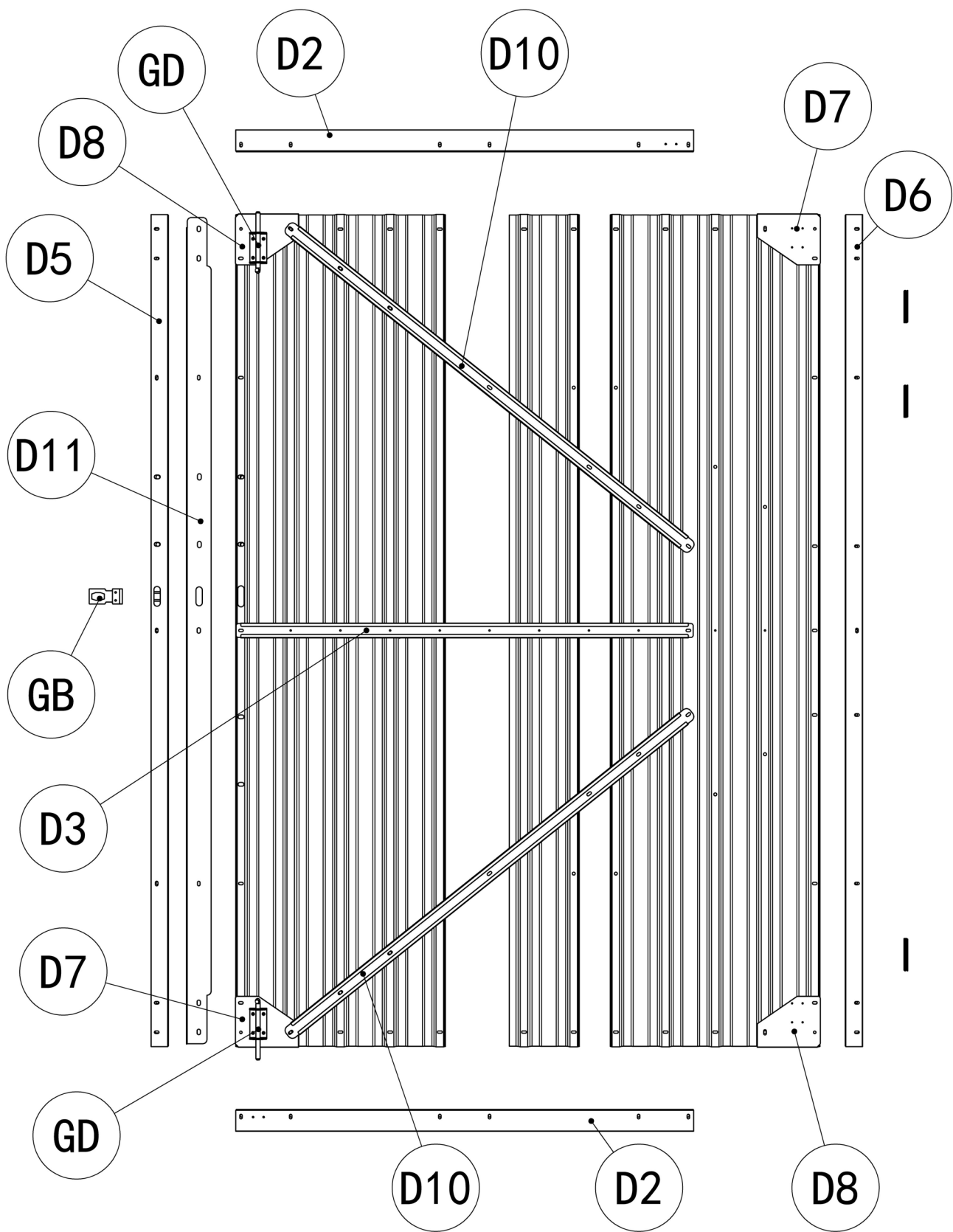


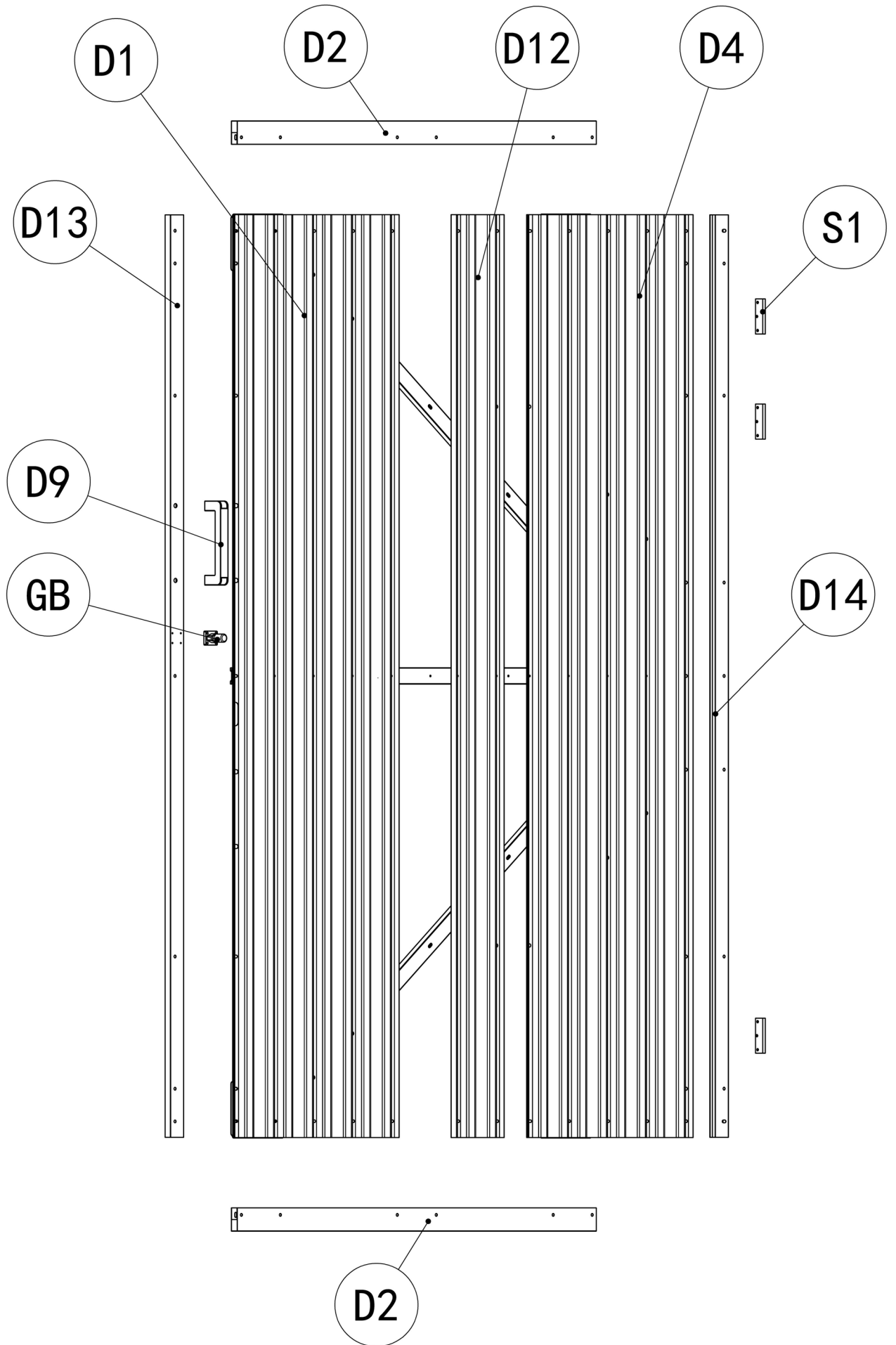


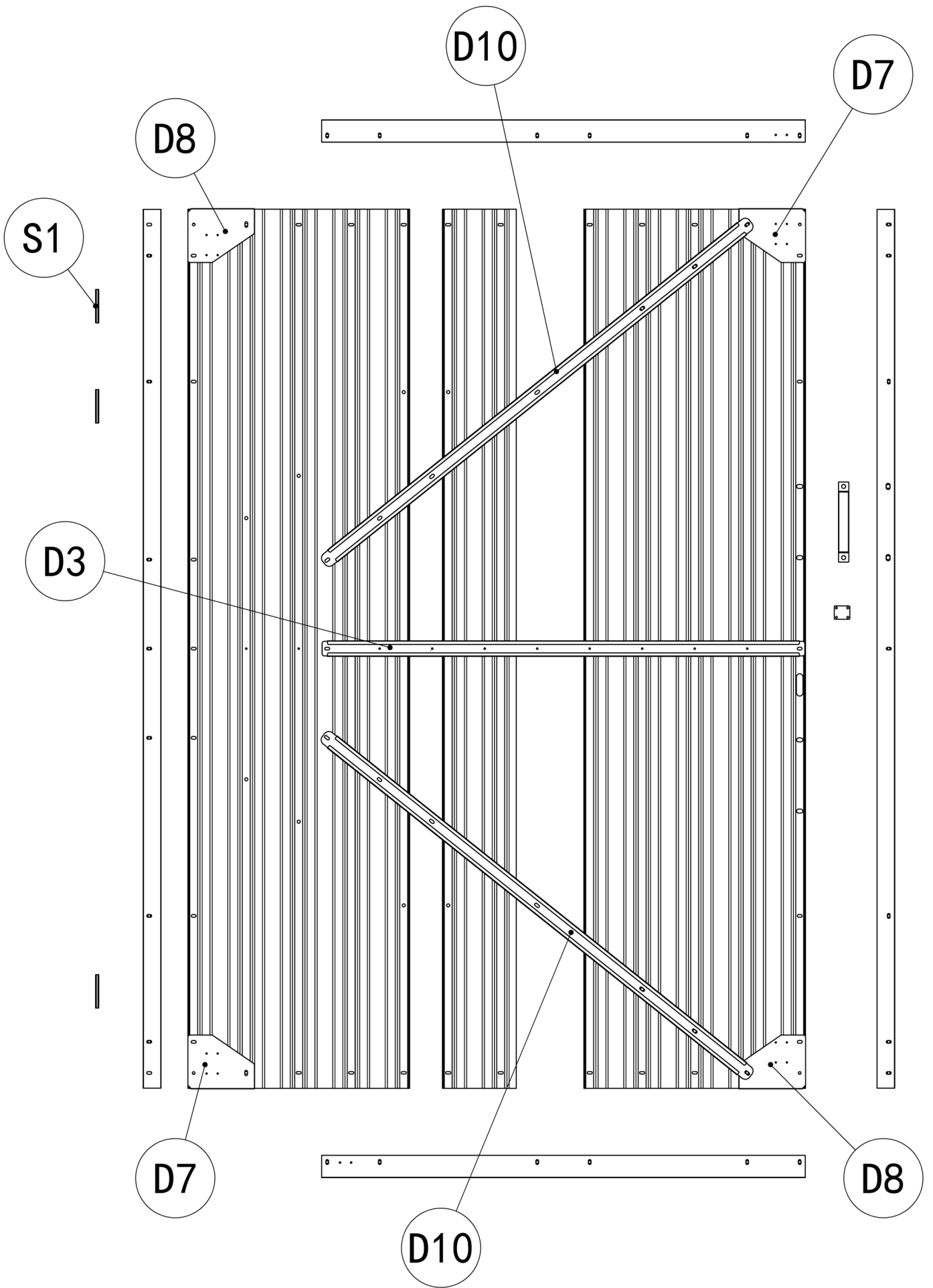


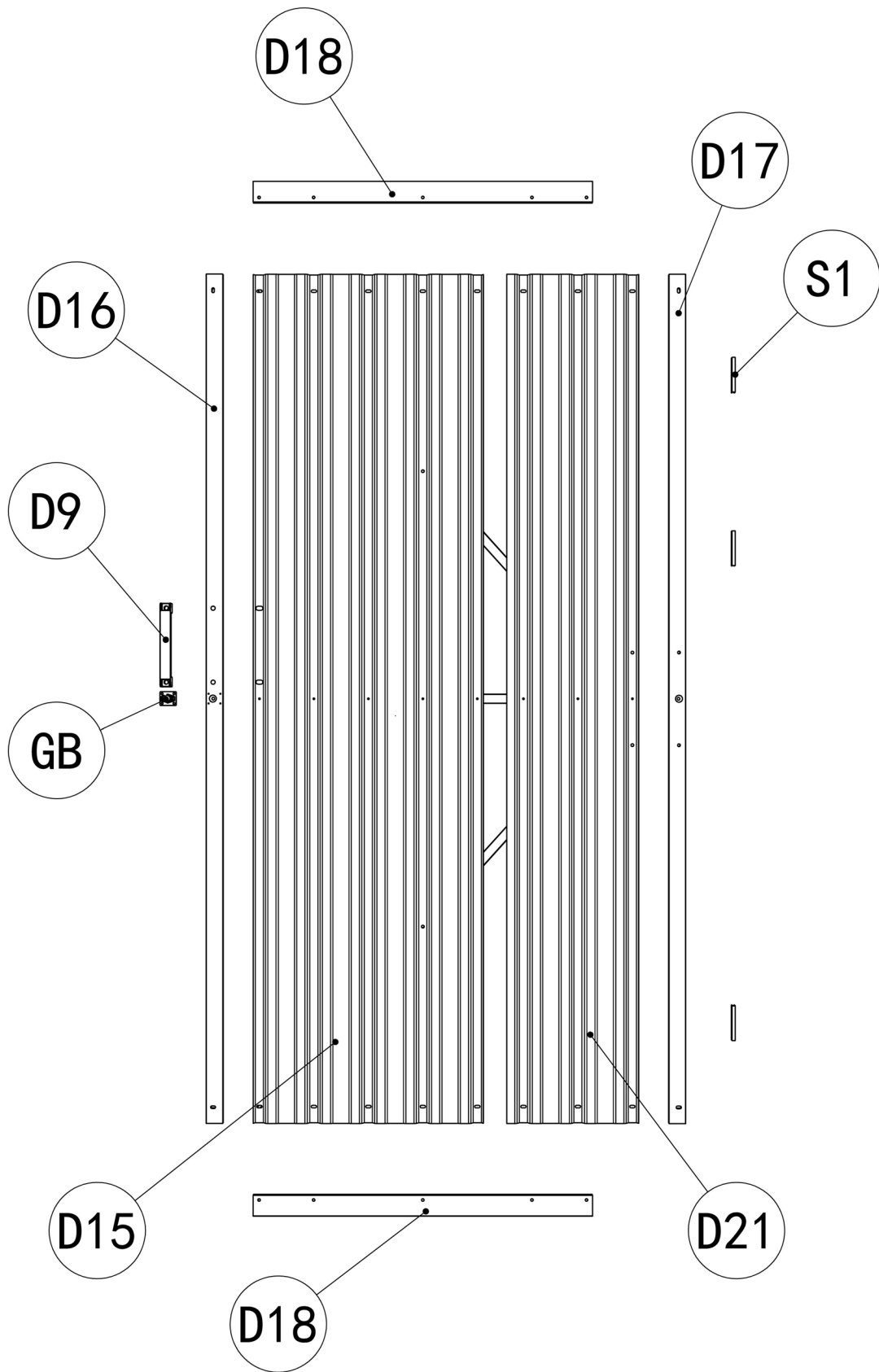


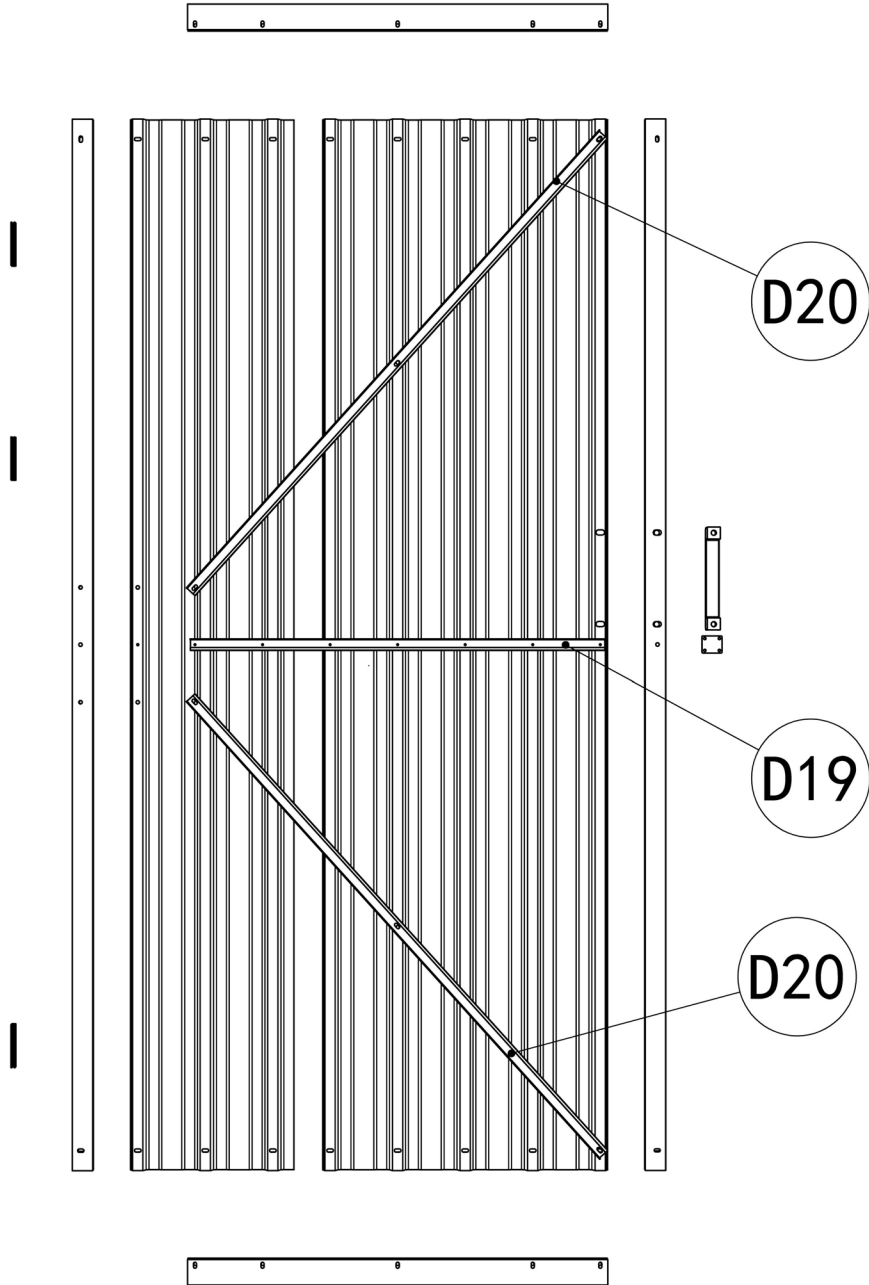






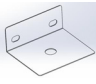
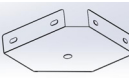
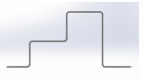

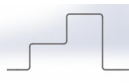


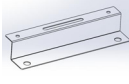



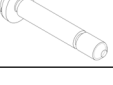




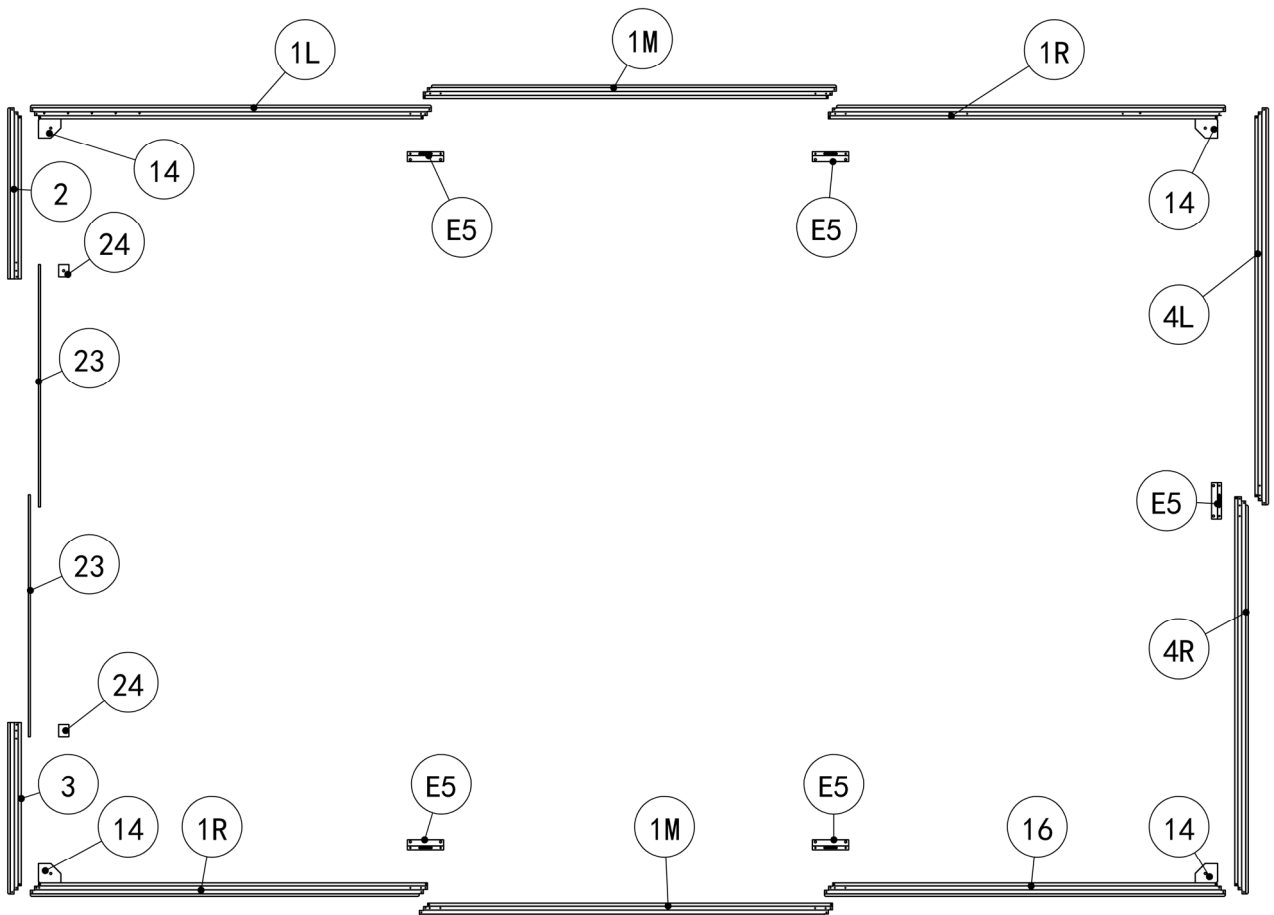




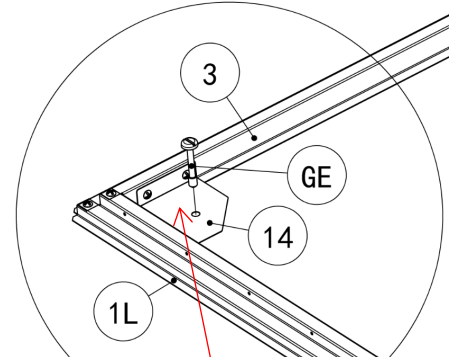
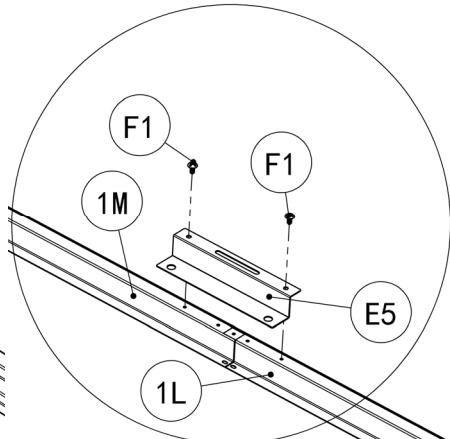
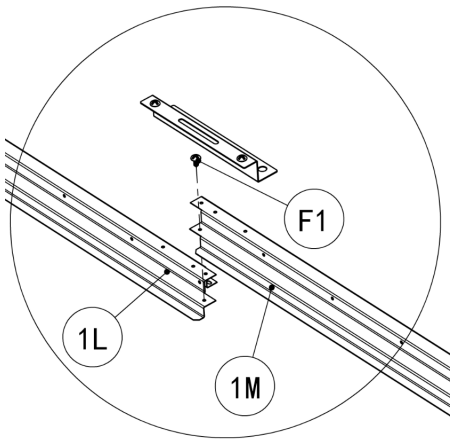
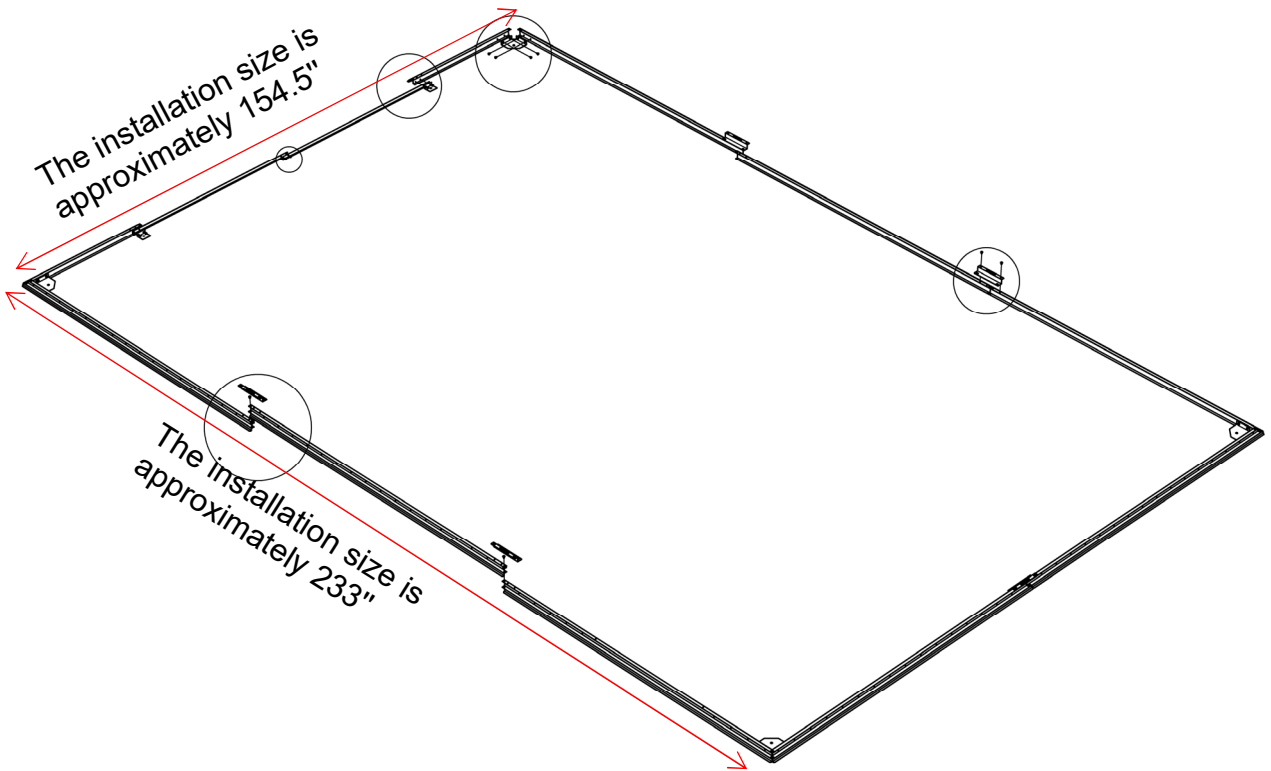
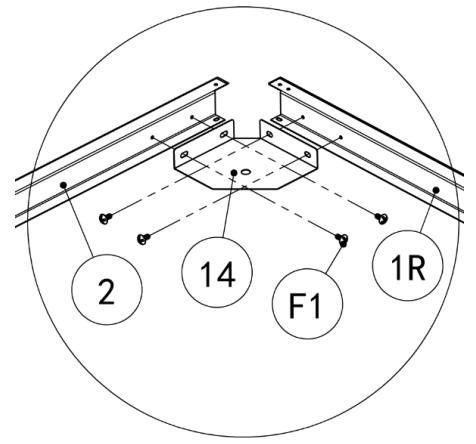
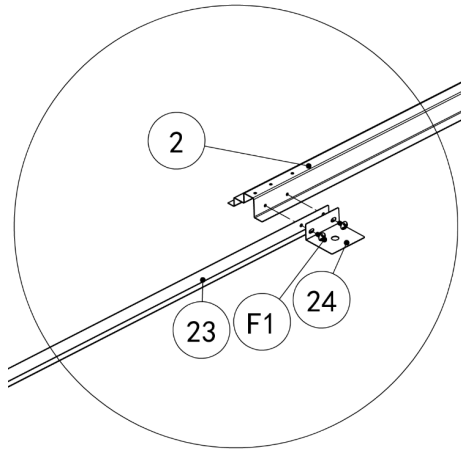
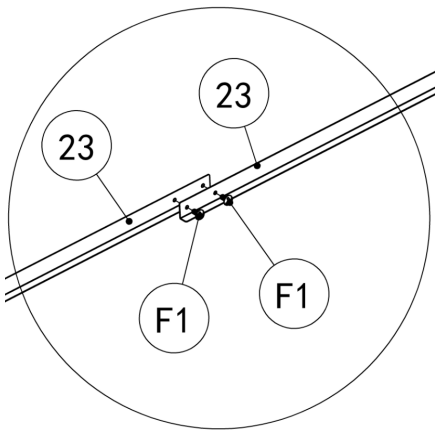
# 1. Base Frame Assembly

1. Connect 1R, 1M, and 1L with F1 screws, and then install E5 and fix it with F1;
2. Fix 4L and 4R with F1, and then install E5 with F1;
3. Connect 2, 3, 23, and 24 with F1;
4. Connect 14 with F1 on four corners; Then fix with GE on the ground after confirming the size.

Part	No	Qty	Part	No	Qty	Part	No	Qty
	24	2		14	4		1L	2
	23	2		1R	1		4L	1
	2	1		E5	5		4R	1
	3	1		1M	2		GE	11
	F1	30		16	1			









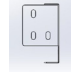


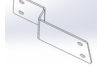


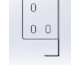













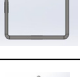


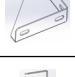
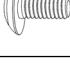



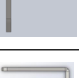

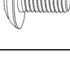








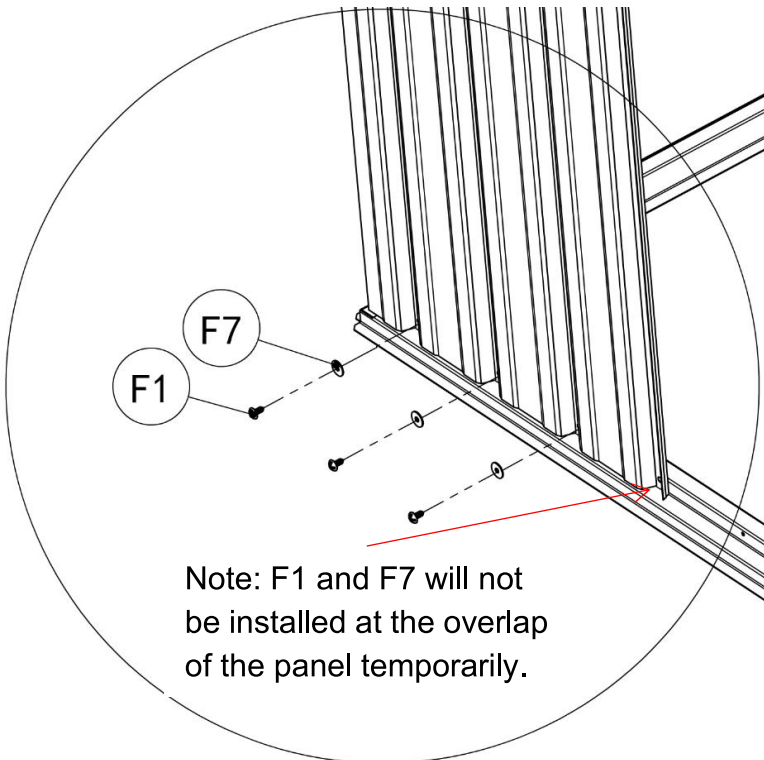
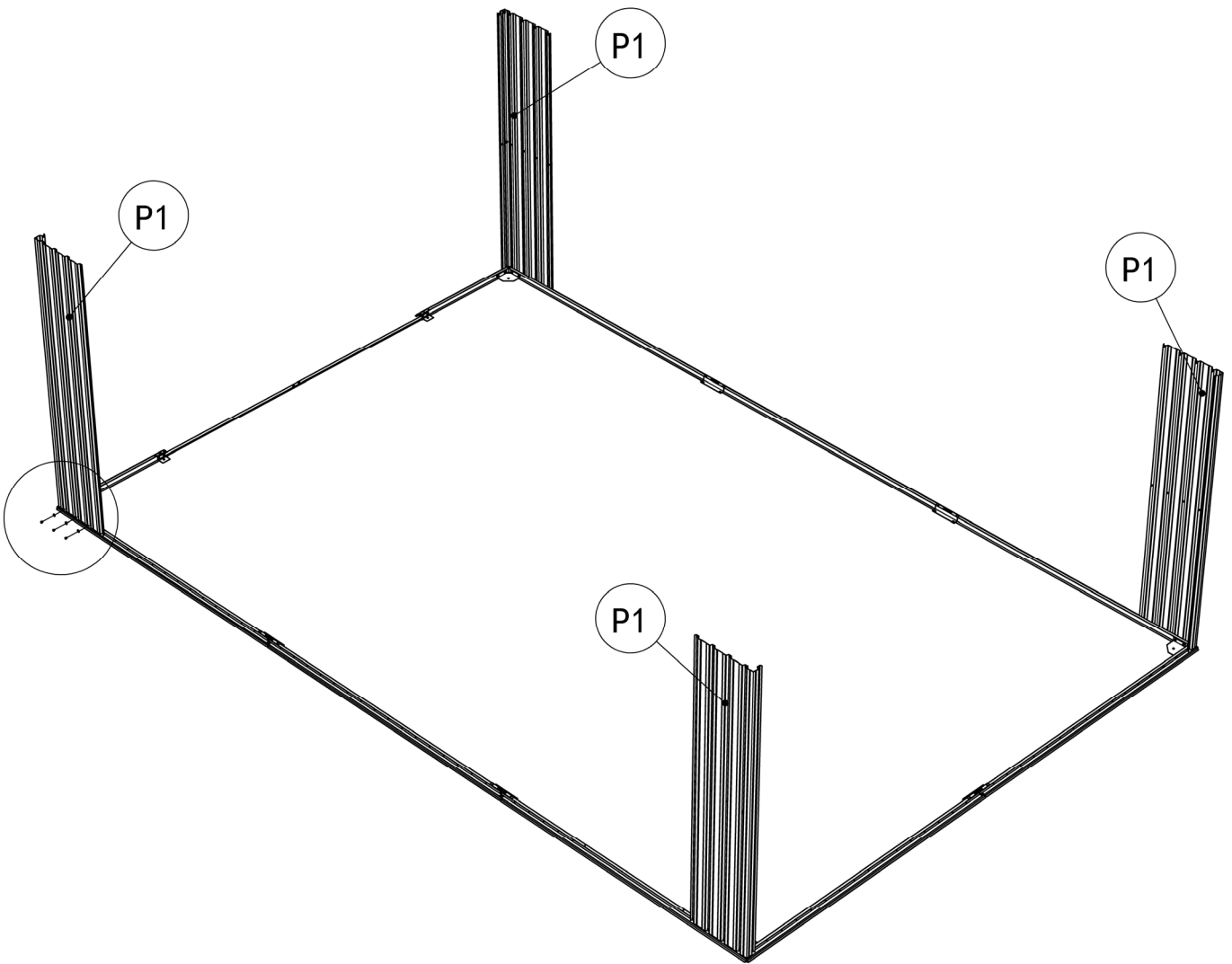


Fix with GE the expansion screws after size confirmation

## 2. Wall Frame Assembly

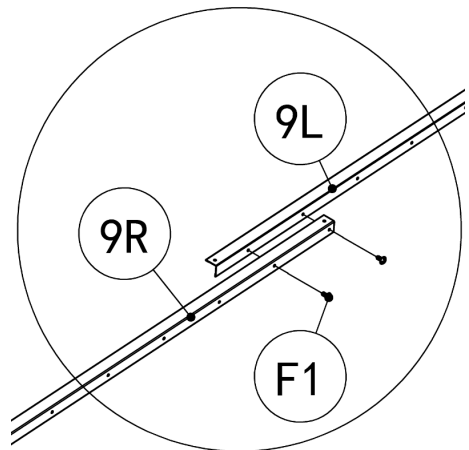
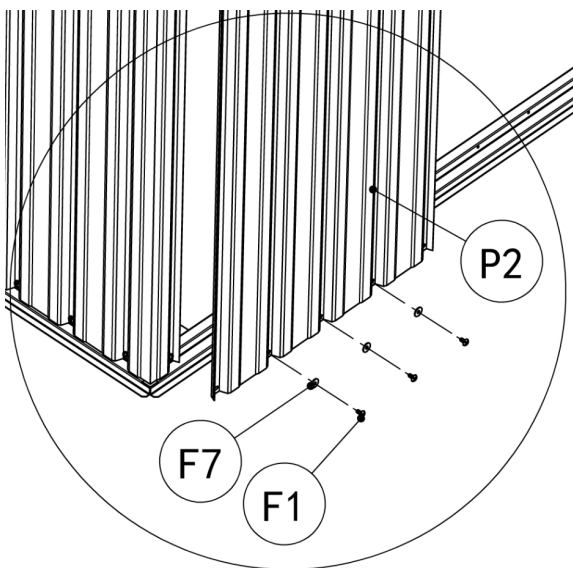
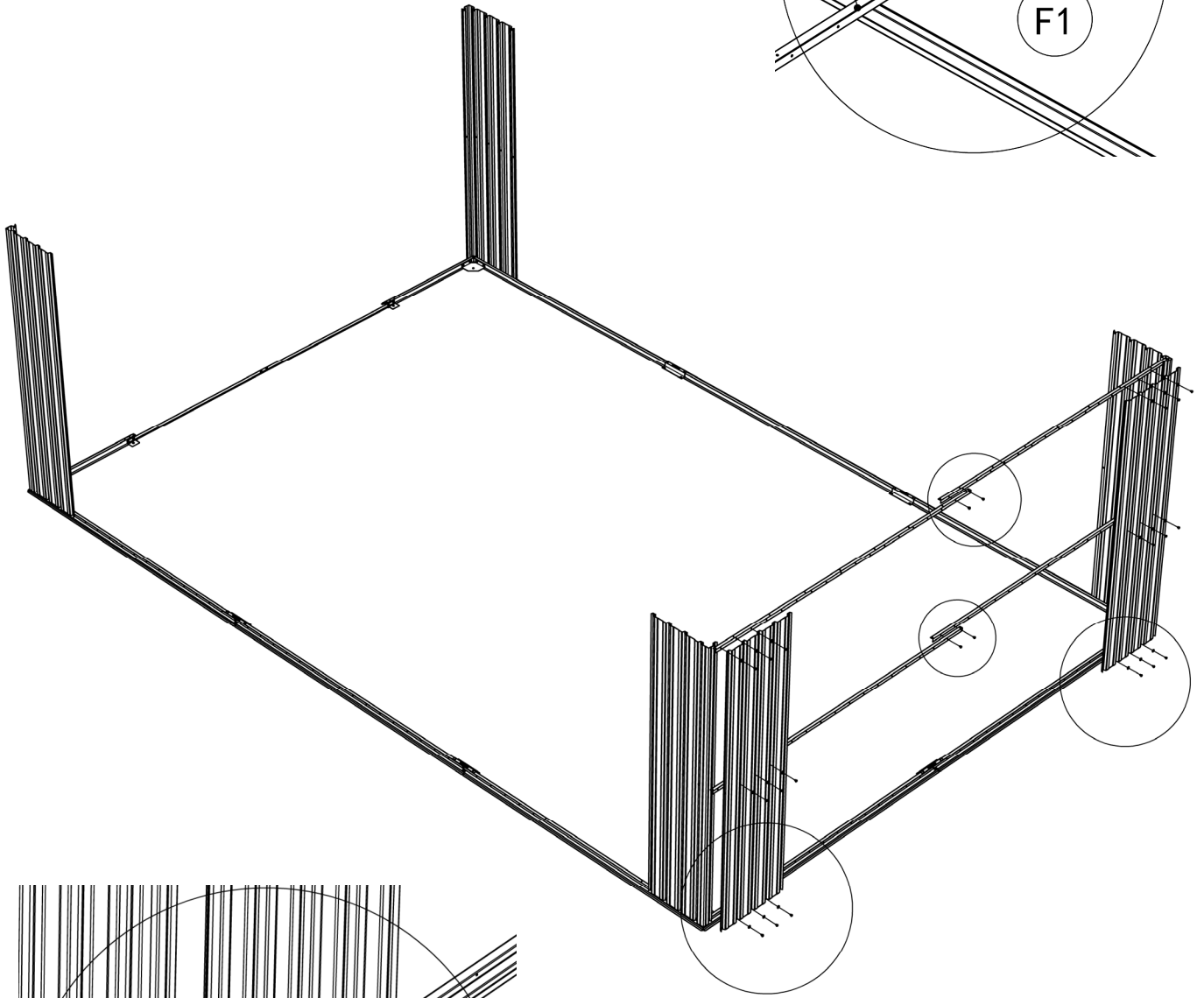
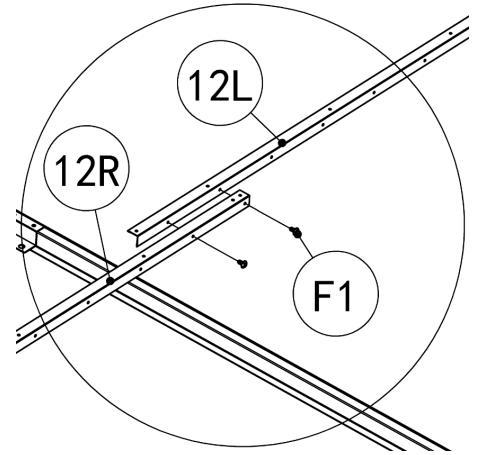
Part	No	Qty	Part	No	Qty	Part	No	Qty
	P1	4		22R	1		ABR	2
	P2	2		7	1		ABM	2
	12R	1		8	1		E6	4
	12L	1		A1	1		E2	4
	9R	1		10M	2		E3	4
	9L	1		11M	2		E4	4
	10L	1		17	1		E1	2
	10R	2		18	1		P3	2
	11L	1		19	1		F1	172
	11R	2		20	2		F7	78
	P3	2		21	4		F2	52
	22L	1		ABL	2		F6	64
	E9	26		E10	2		F16	12
	E11	4		E7	4			
	E12	4		E8	4			

1. Install P1 on the base using F1 and F7;

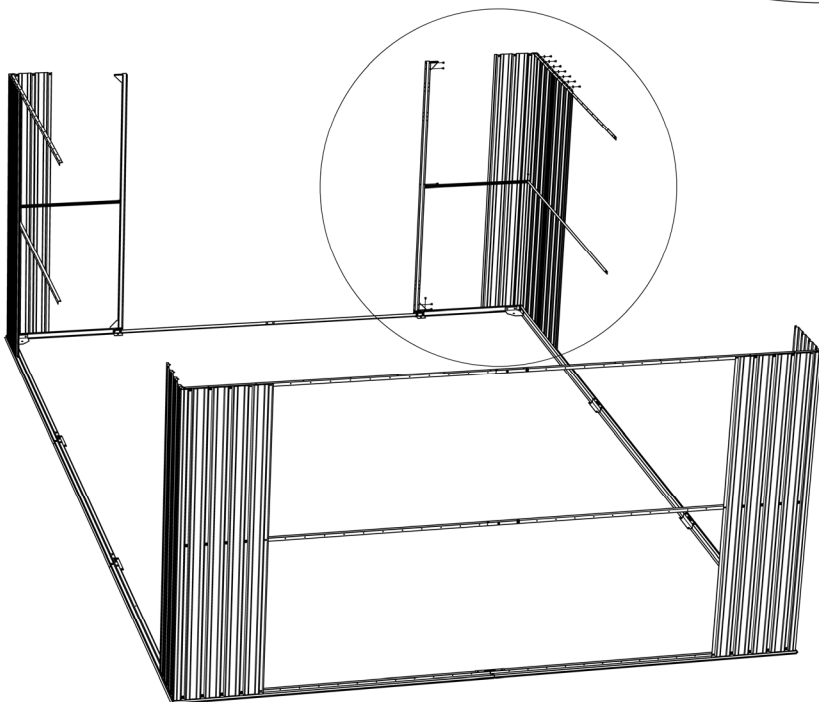
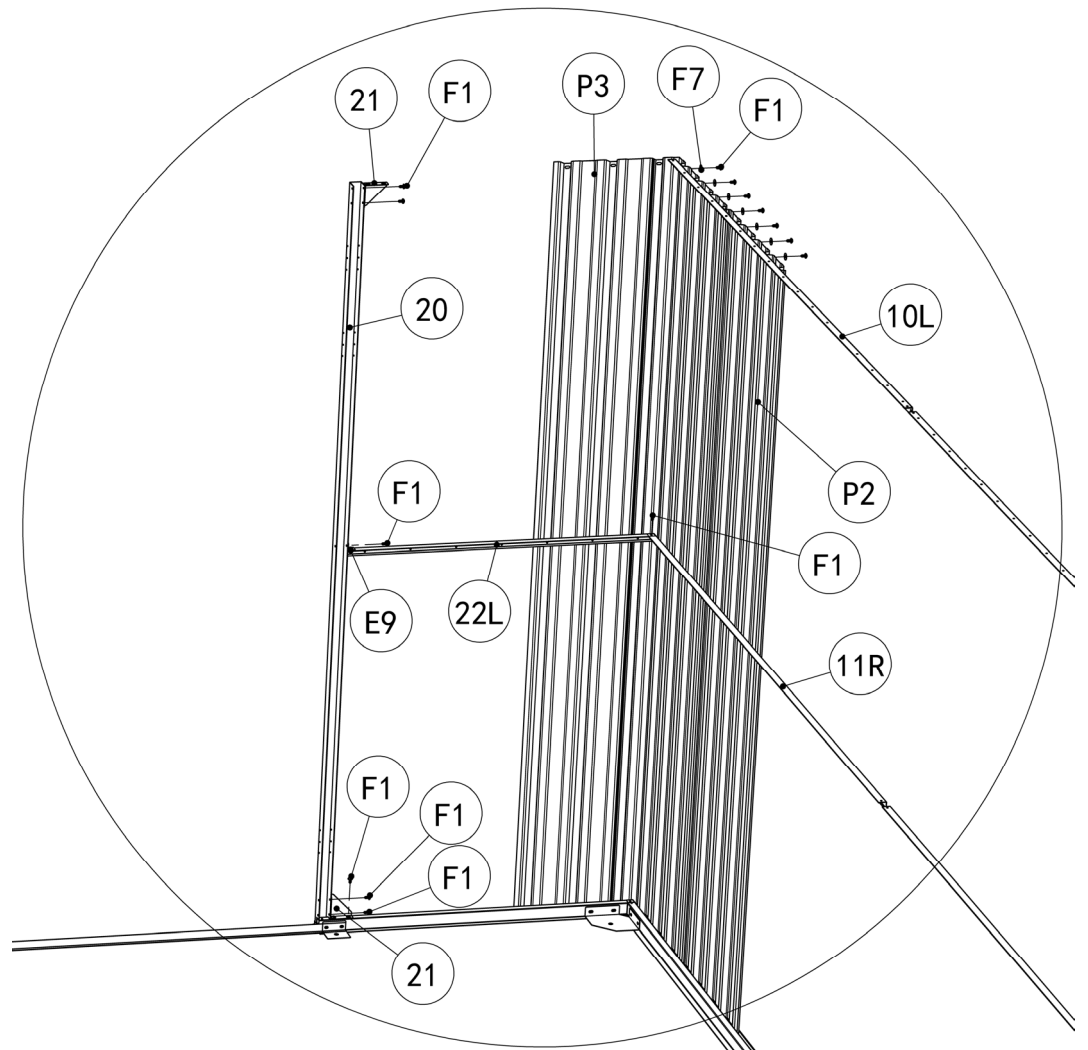


Note: F1 and F7 will not be installed at the overlap of the panel temporarily.

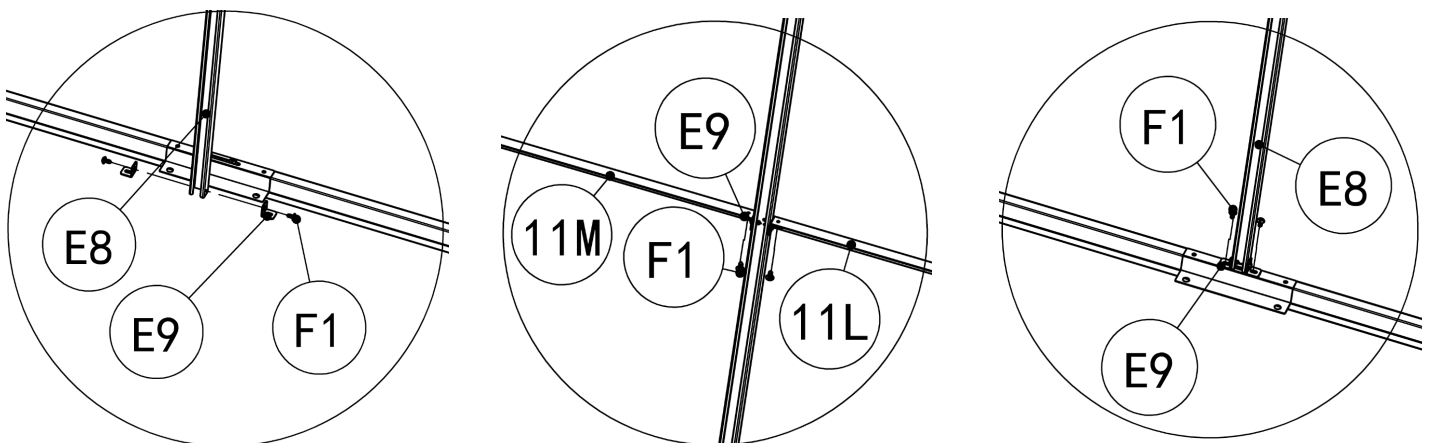
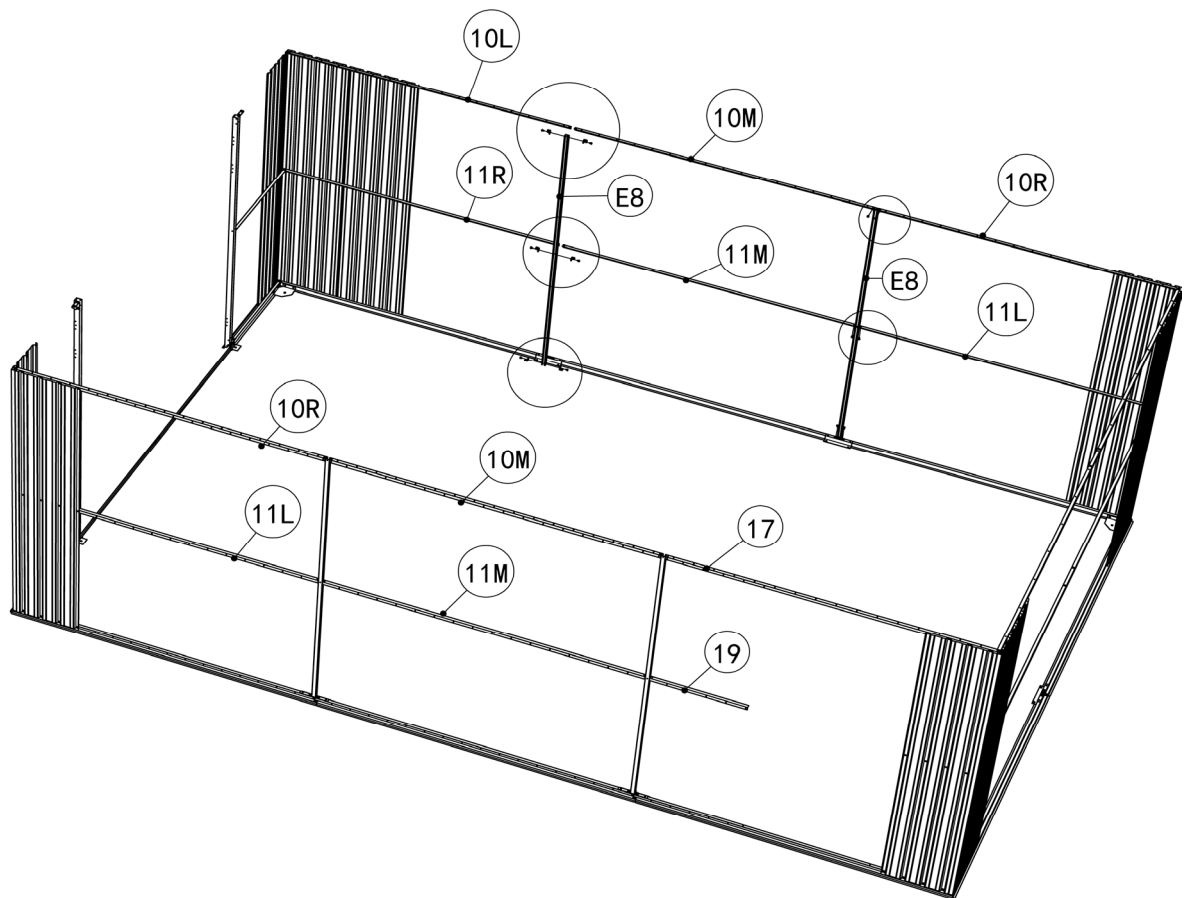
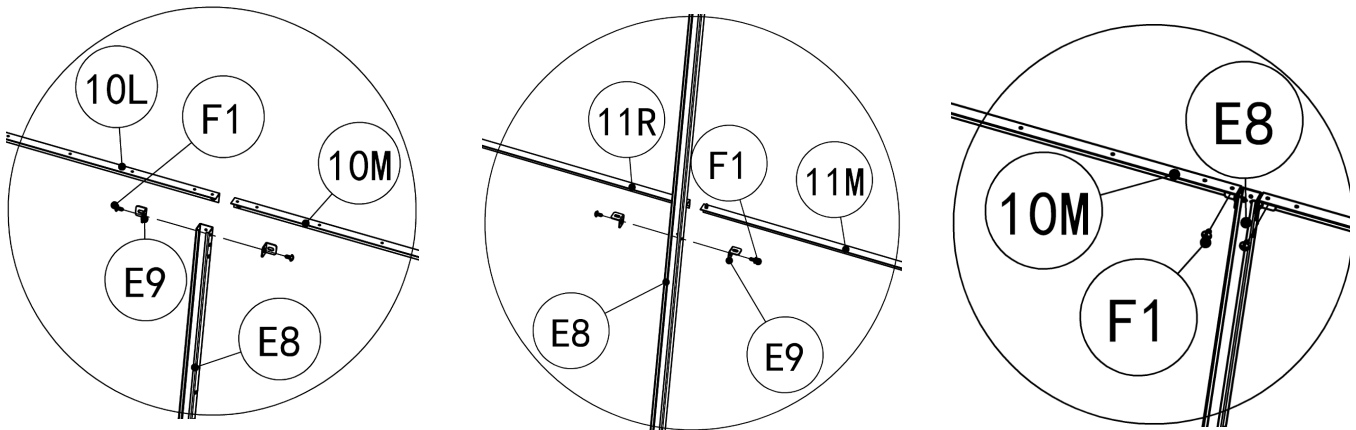
2. Fix P2 with F1 and F7; connect 9L, 9R, 12L, 12R with F1;

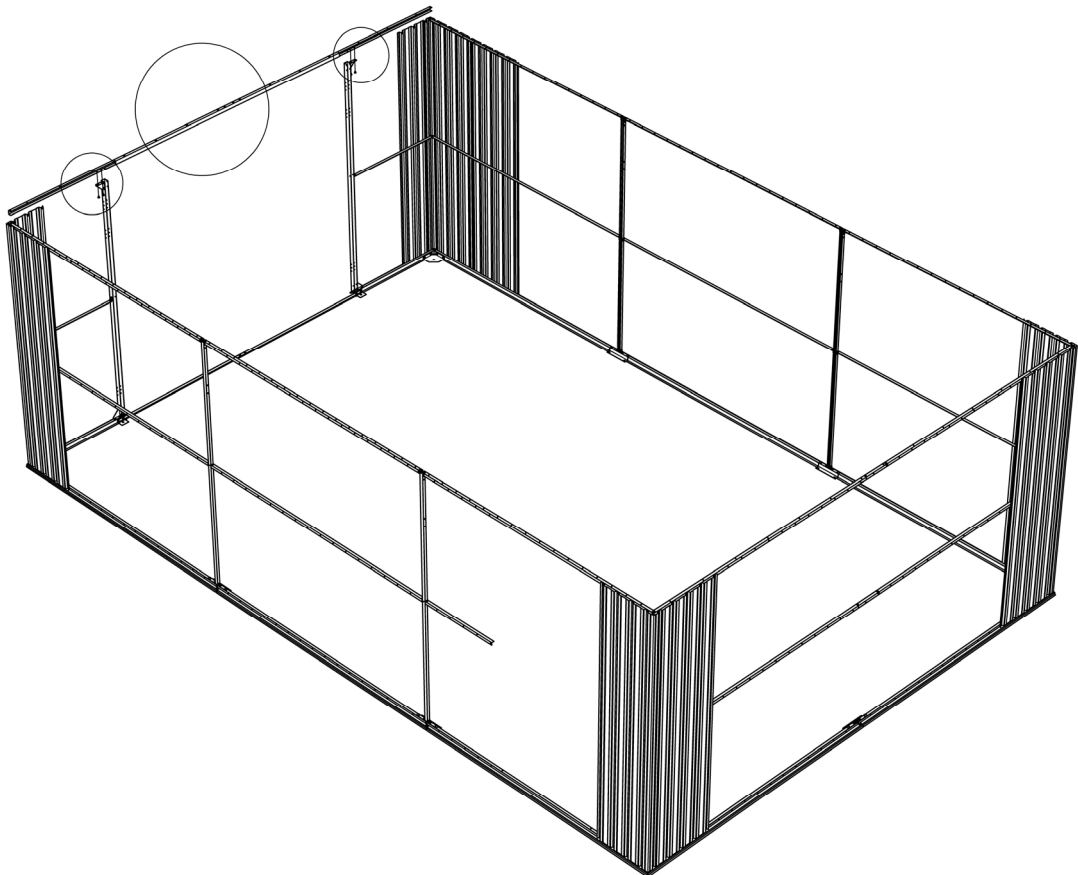
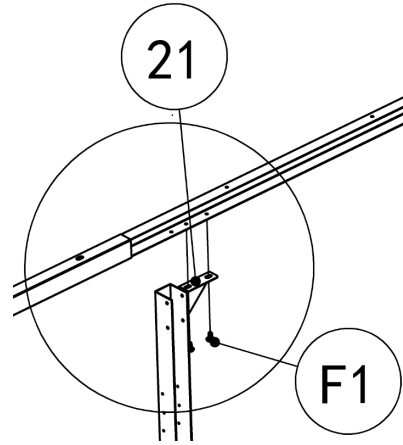
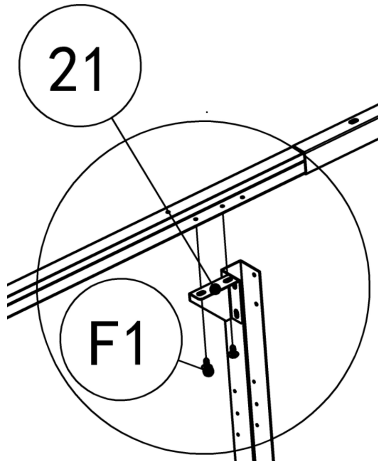


3. Fix 20,21 and E9 with F1; Fix 22L, P3, 11R, P2, and 10L with F1 and F7.  
 The installation method on the other side is the same. Fix 20,21, and E9 with F1,  
 then fix 22R, P3, 11L, P2, and 10R with F1 and F7;



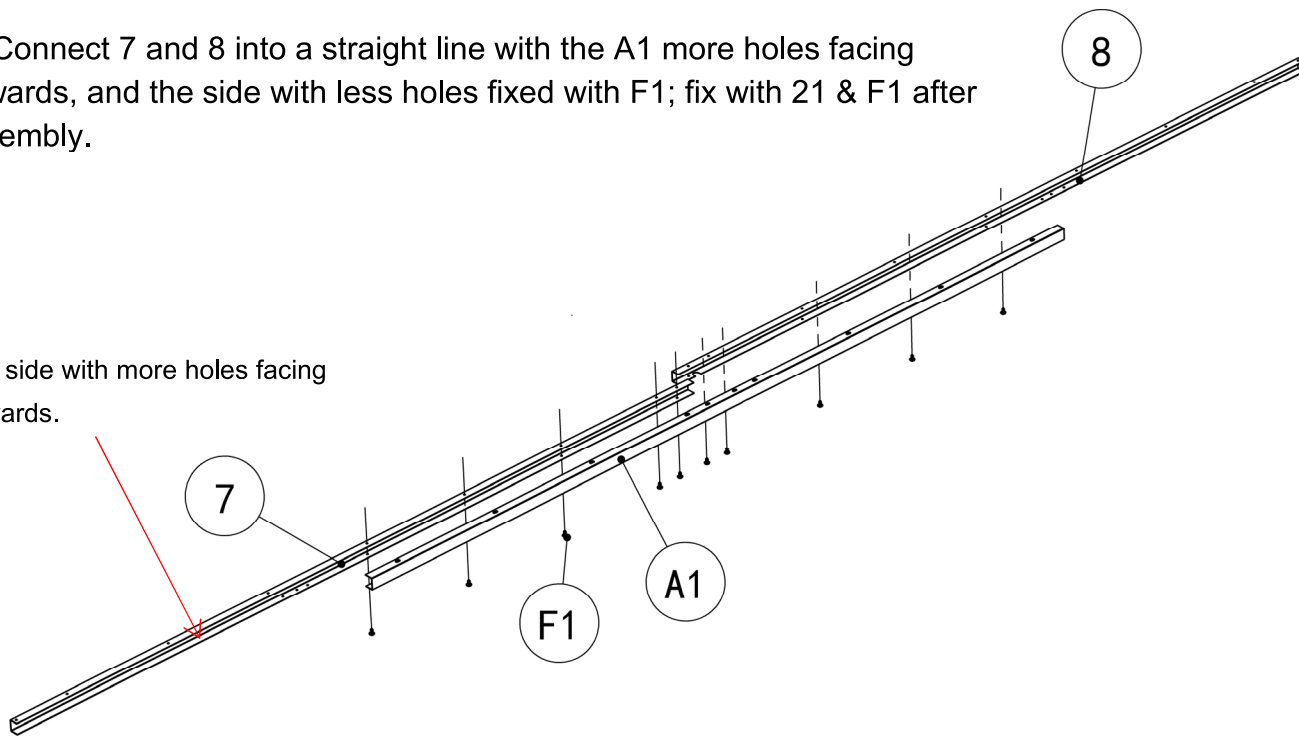
4. First, fix E8 & E9 with F1; Connect 11R, 11M & 11L; 10L, 10M & 10R with F1.  
 Install the other side in the same way, fix E8 & E9 with F1, connect 11L, 11M, 19 with F1;  
 10L, 10M, 17 with F1;



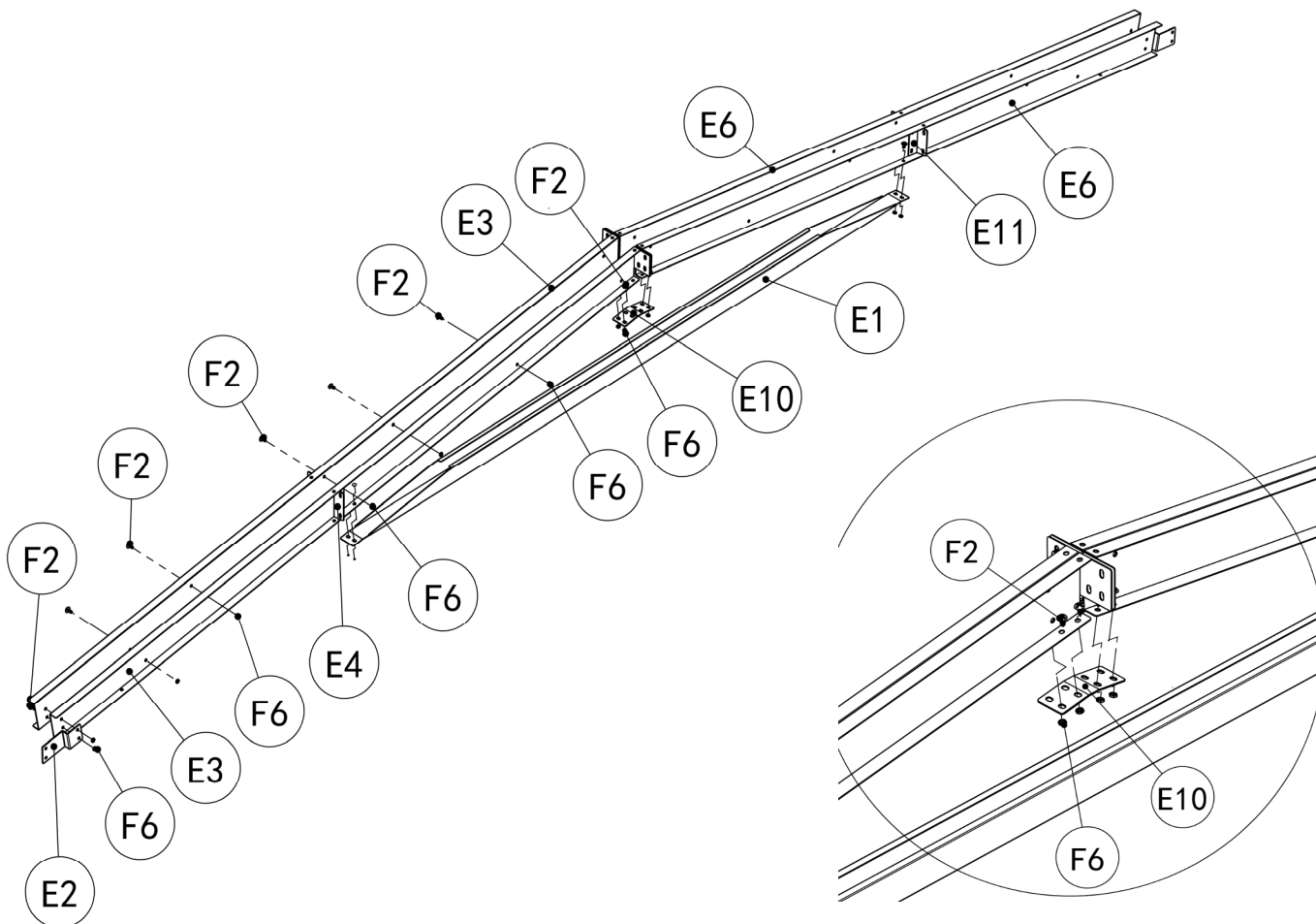


5. Connect 7 and 8 into a straight line with the A1 more holes facing upwards, and the side with less holes fixed with F1; fix with 21 & F1 after assembly.

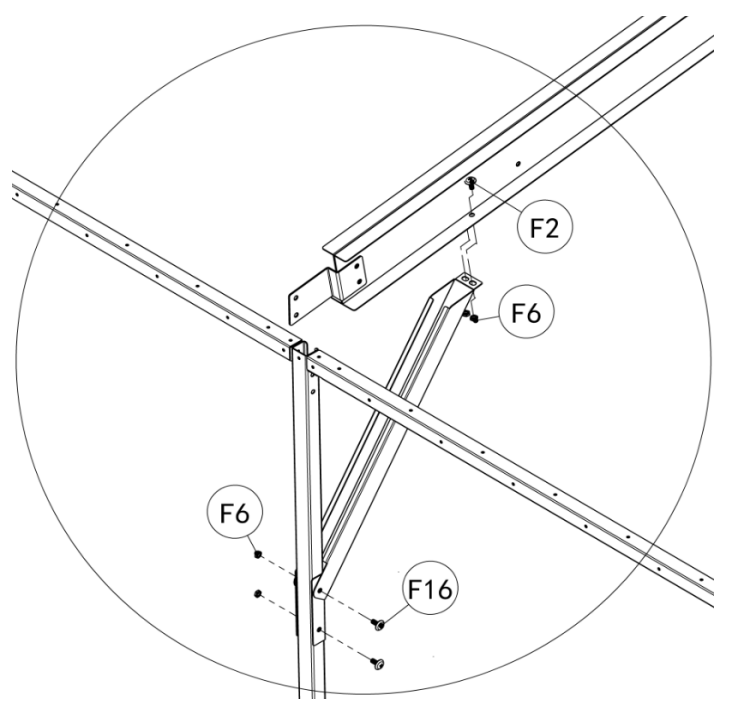
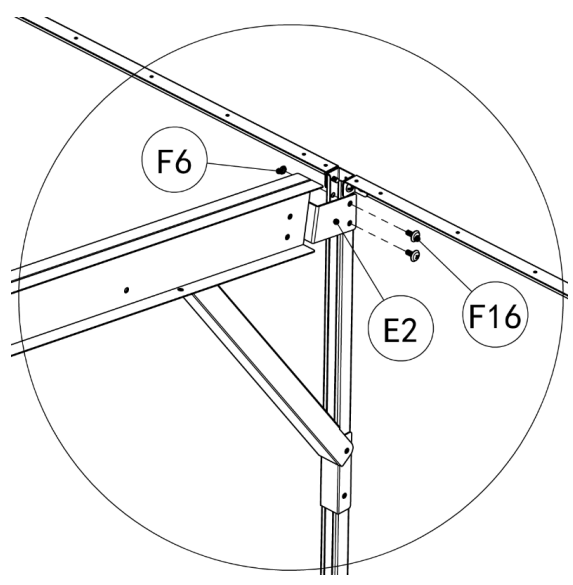
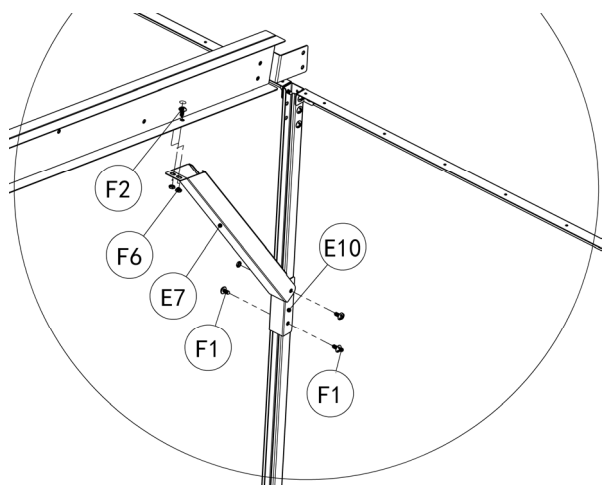
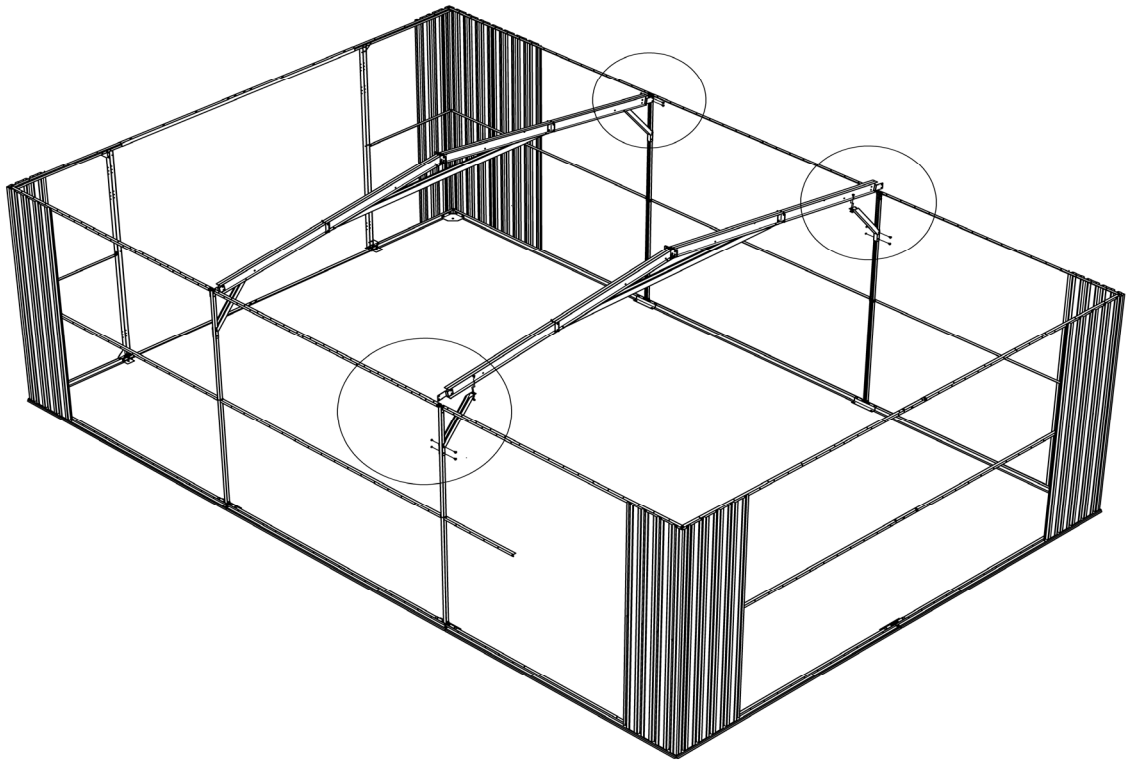
The side with more holes facing upwards.



6. First fix two E3 with F2 & F6, then install E4 with F2 & F6, connect E2 with F2 & F6; Fix two E6 with F2 & F6, then install E11 with F2 & F6, connect E2 with F2 & F6; Connect E3 and E6 with E10 and fix them with F2 & F6; Then connect E3 and E6 with E1 and fix them with F2 & F6; Connect this component with E7 , E10 and secure them with F2, F16& F6.



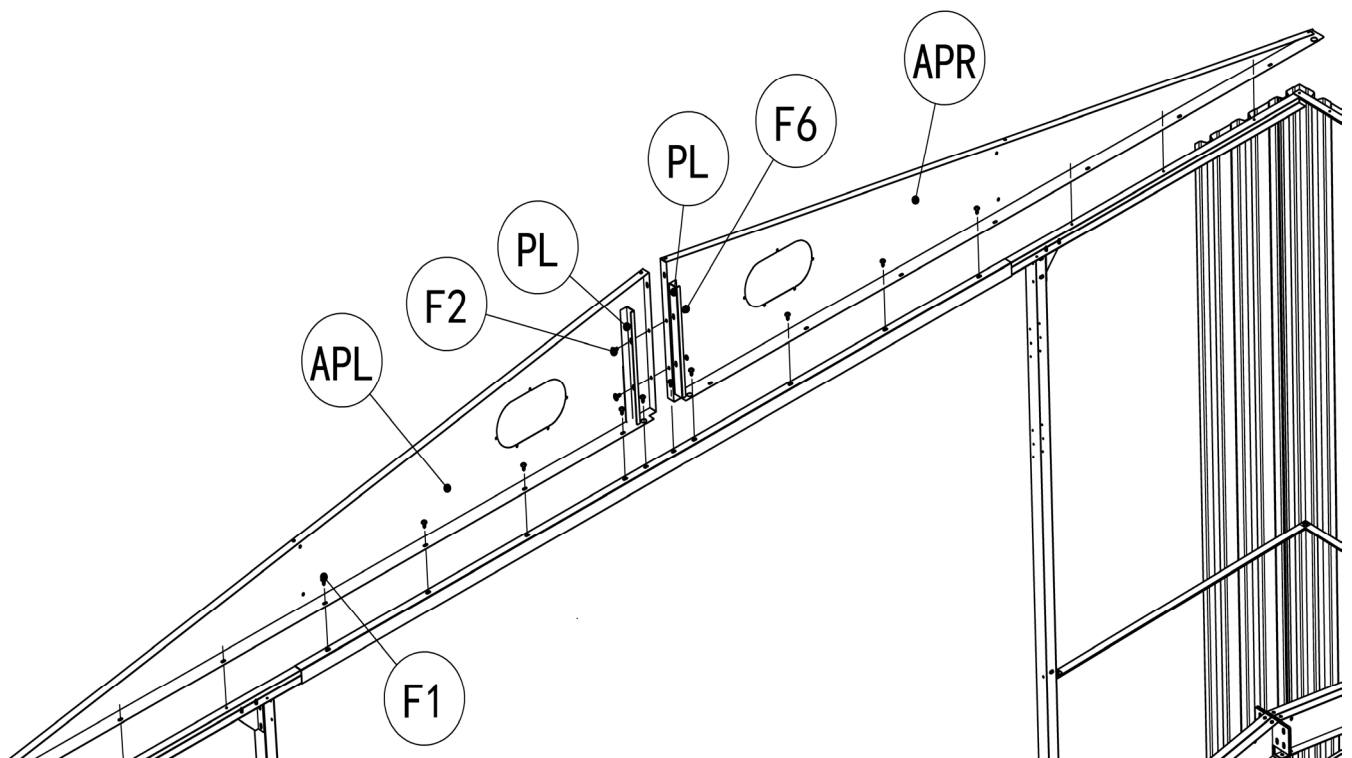


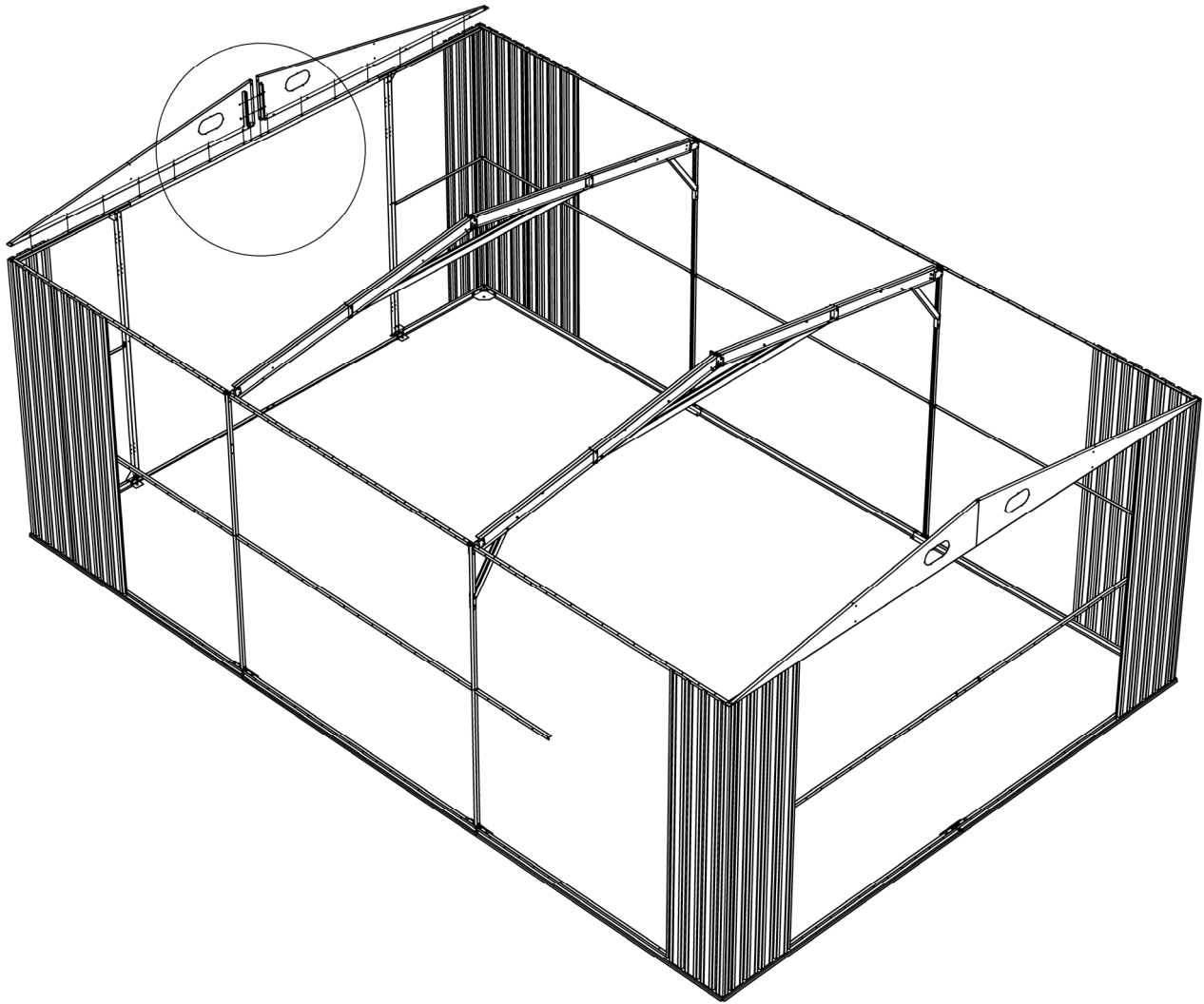


### 3. Roof Frame Assembly

Part	No	Qty	Part	No	Qty	Part	No	Qty
	APL	2		ABL	2		CL	2
	APR	2		ABR	2		CR	2
	PL	4		ABM	2		CM	2
	C2	2		F2	73		F1	32
	C3	2		F6	73		E4	4
	E11	4						

1. PL clamp APR and APL, connect and fix them with F2 and F6, install the components on 7,8, A1, and fix them with F1.



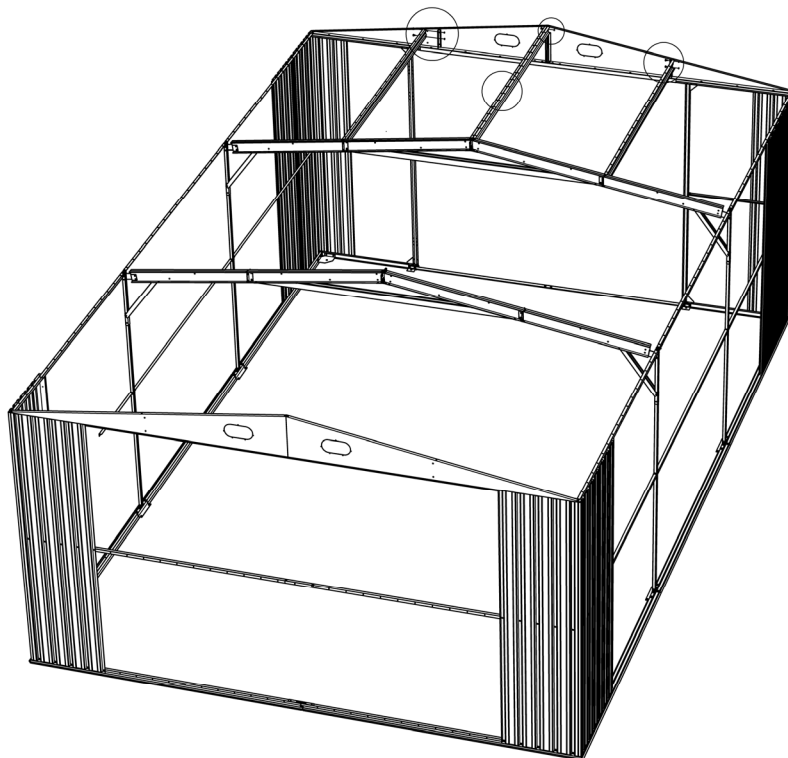
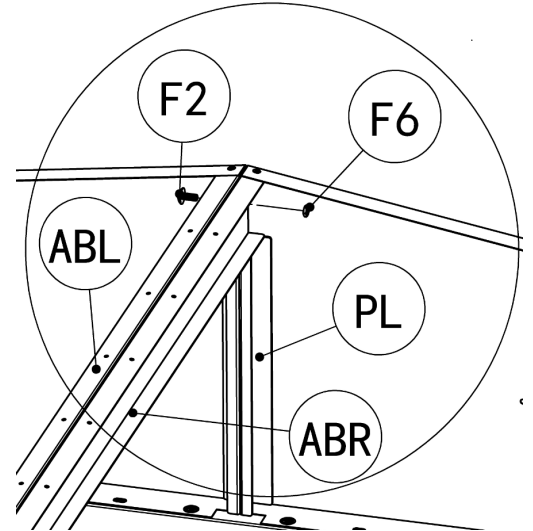
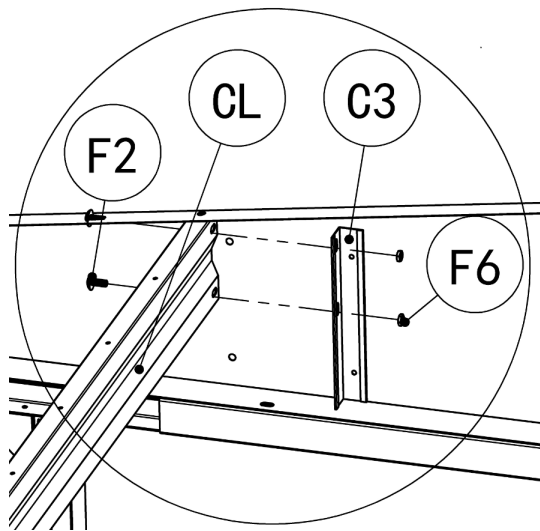
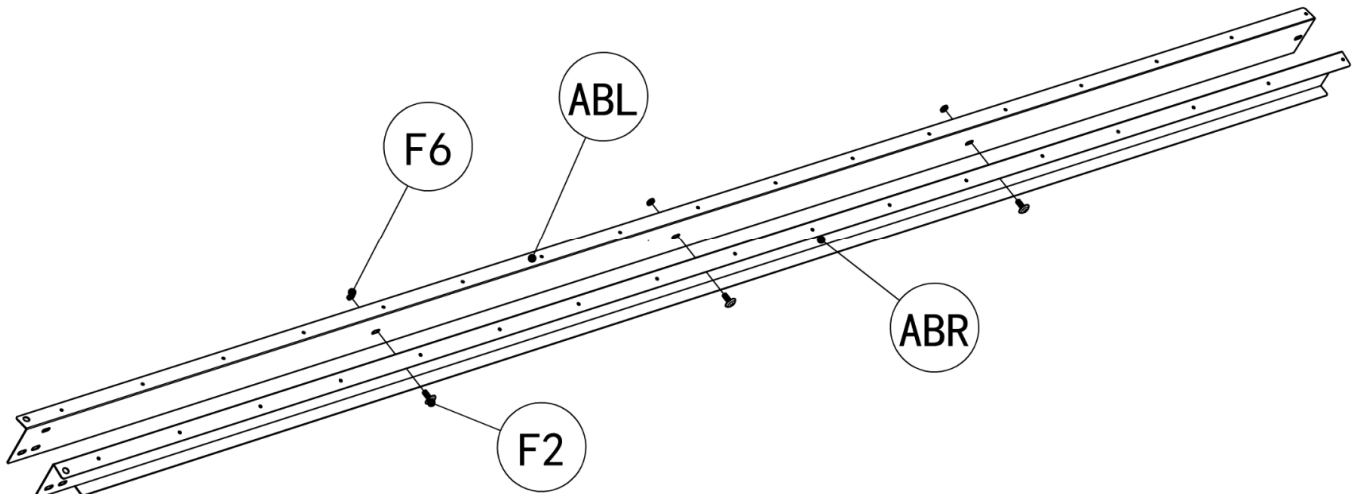


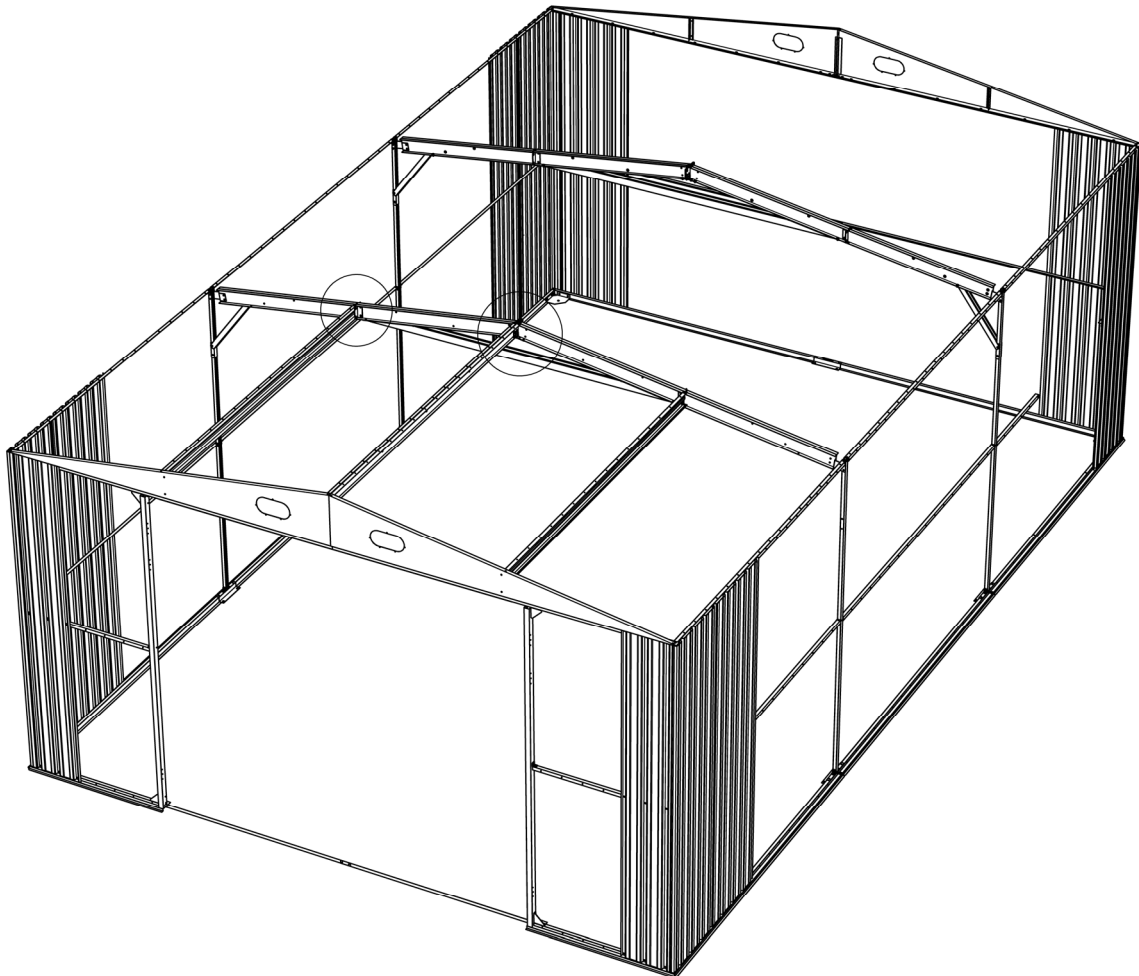
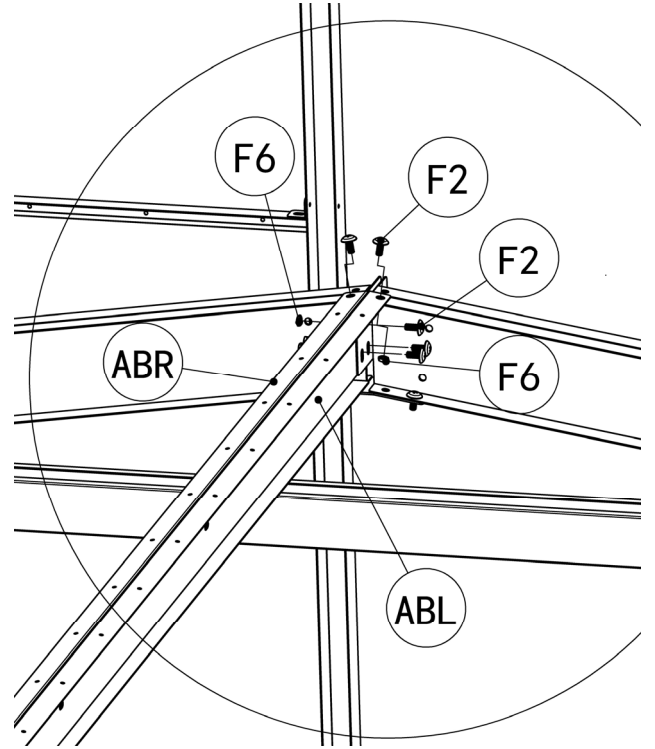
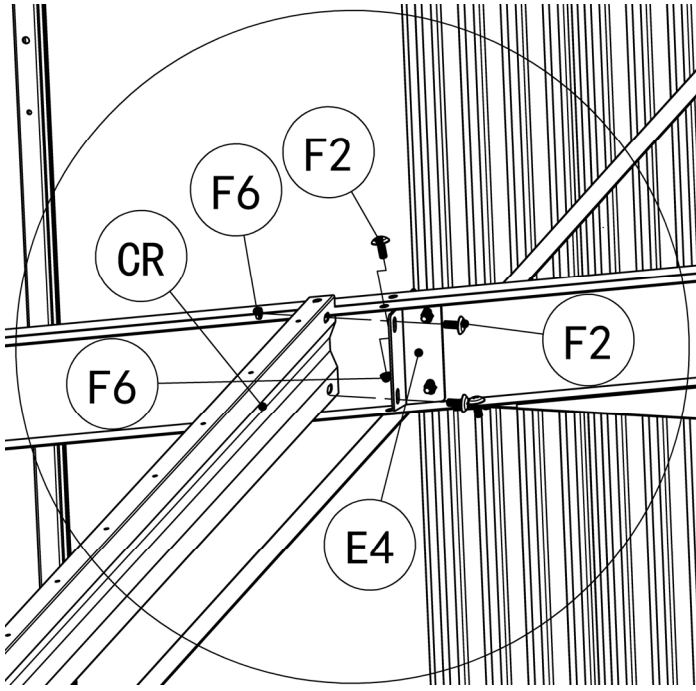
3. Fix ABR and ABL with F2 and F6, then insert them diagonally into APR and APL, frame them on PL, fix them with F2 and F6, and then connect the other end into slots E3 and E6, and fix them with F2 and F6.

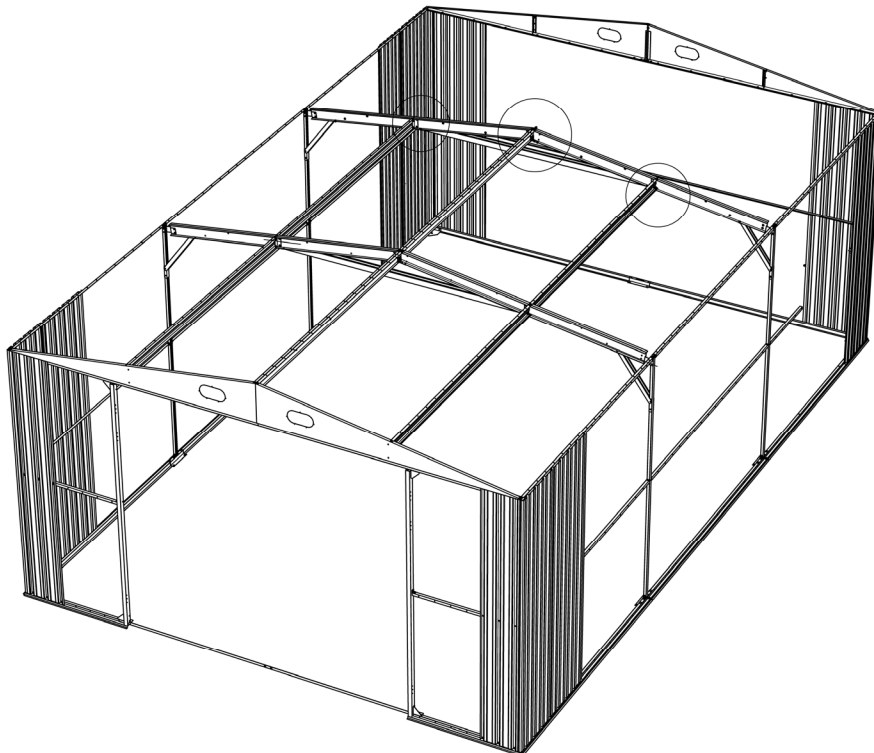
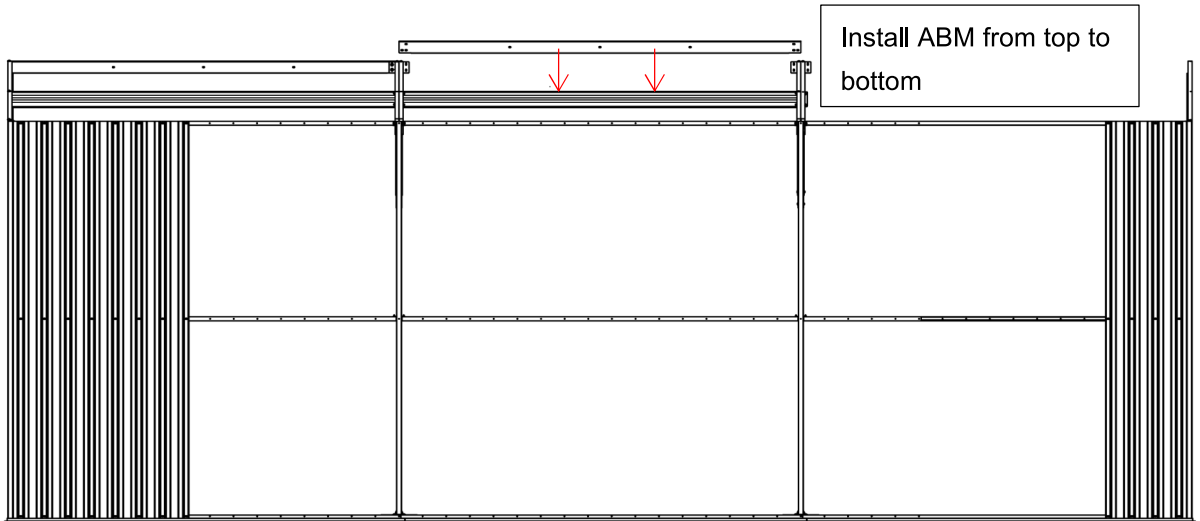
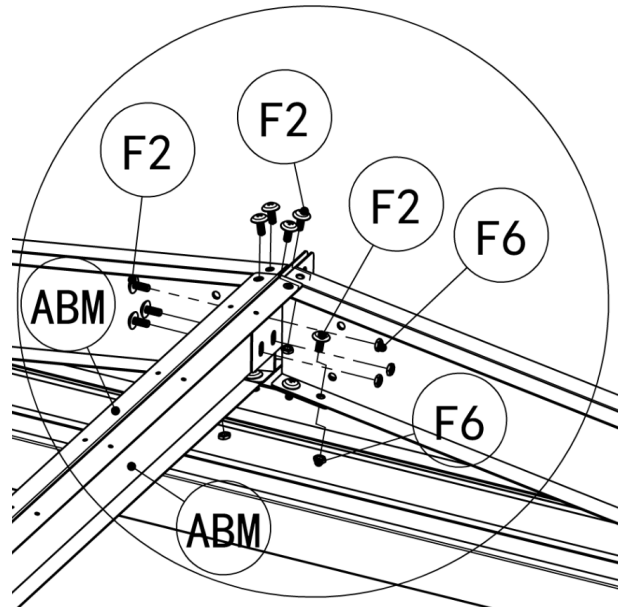
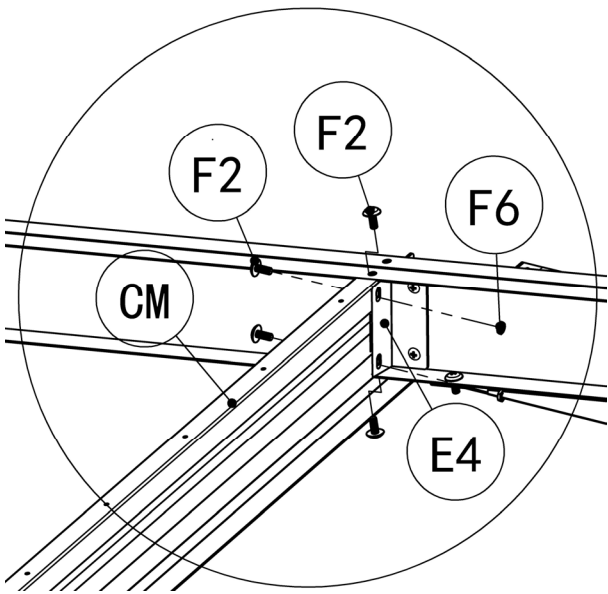
Fix C2 and C3 with F1, then connect CL, CR with F2 and F6, CR with E4 with F2 and F6,

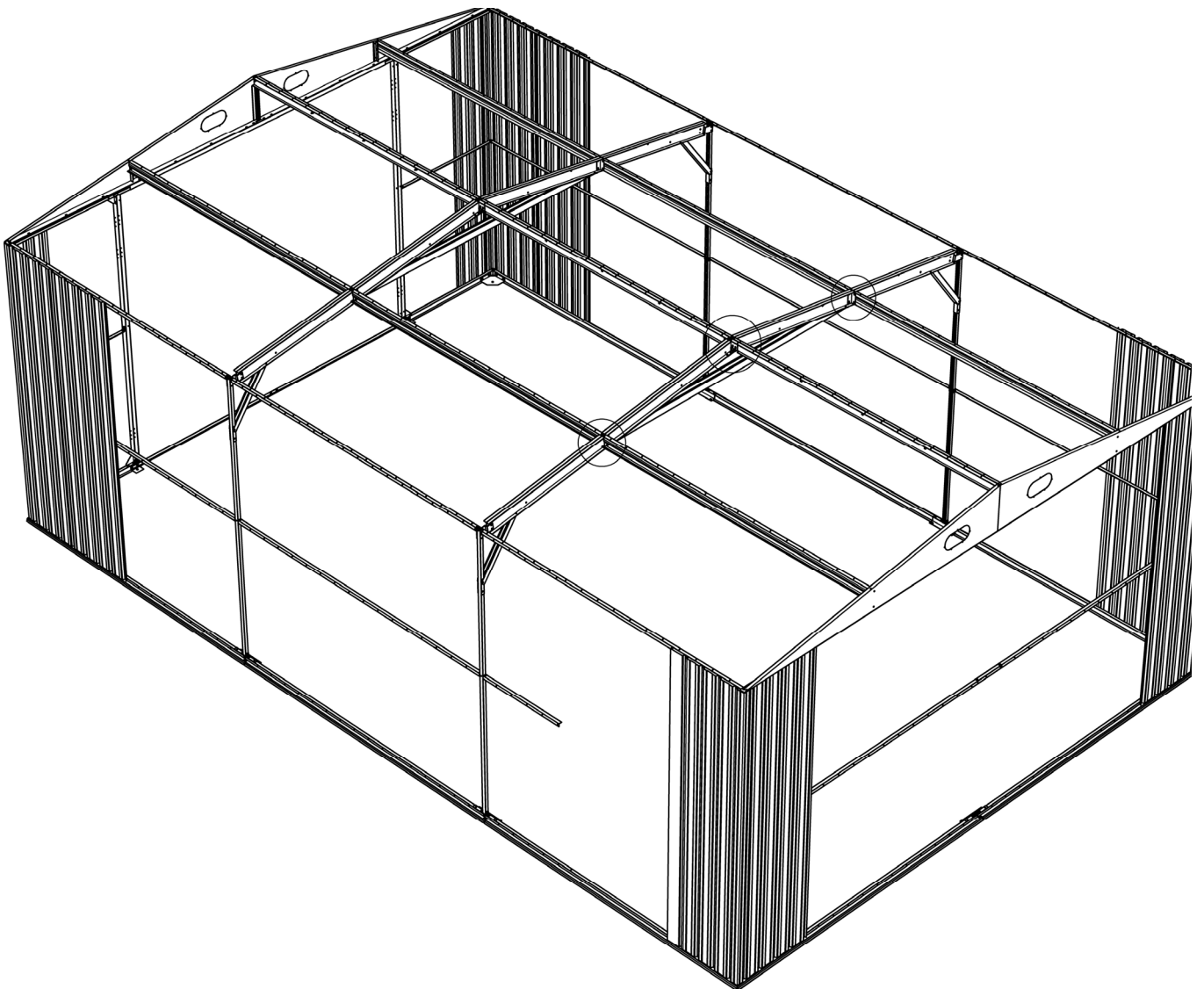
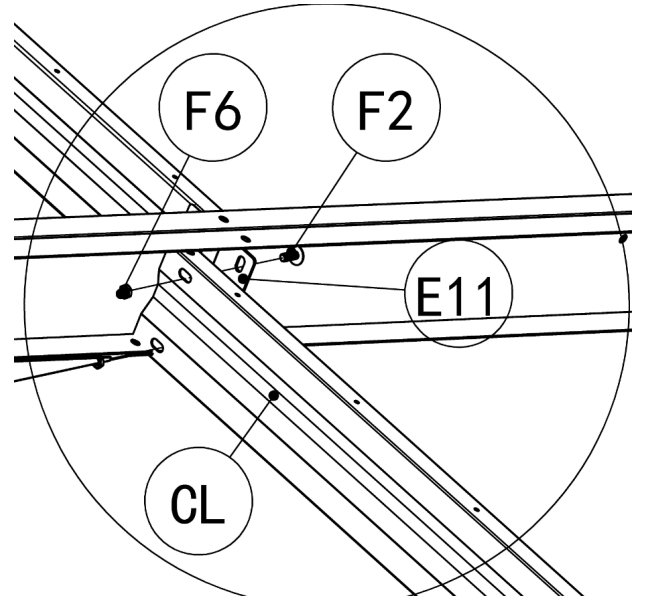
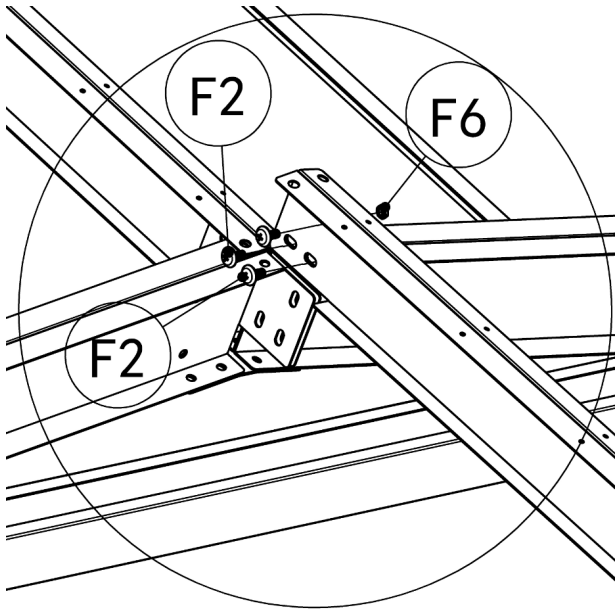
2. Fix the two ABMs with F2 and F6, place them in the E3 and E6 card slots from top to bottom, and fix them with F2 and F6. Fix CM, E4, and E11 with F2 and F6;

4. Fix ABR and ABL with F2 and F6, then insert them diagonally into APR and APL, frame them on PL, fix them with F2 and F6, and then connect the other end into slots E3 and E6, and fix them with F2 and F6. Fix C2 and C3 with F1, then connect CL, CR with F2 and F6, CR with E4 with F2 and F6, CL with E11 with F2 and F6.











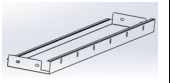




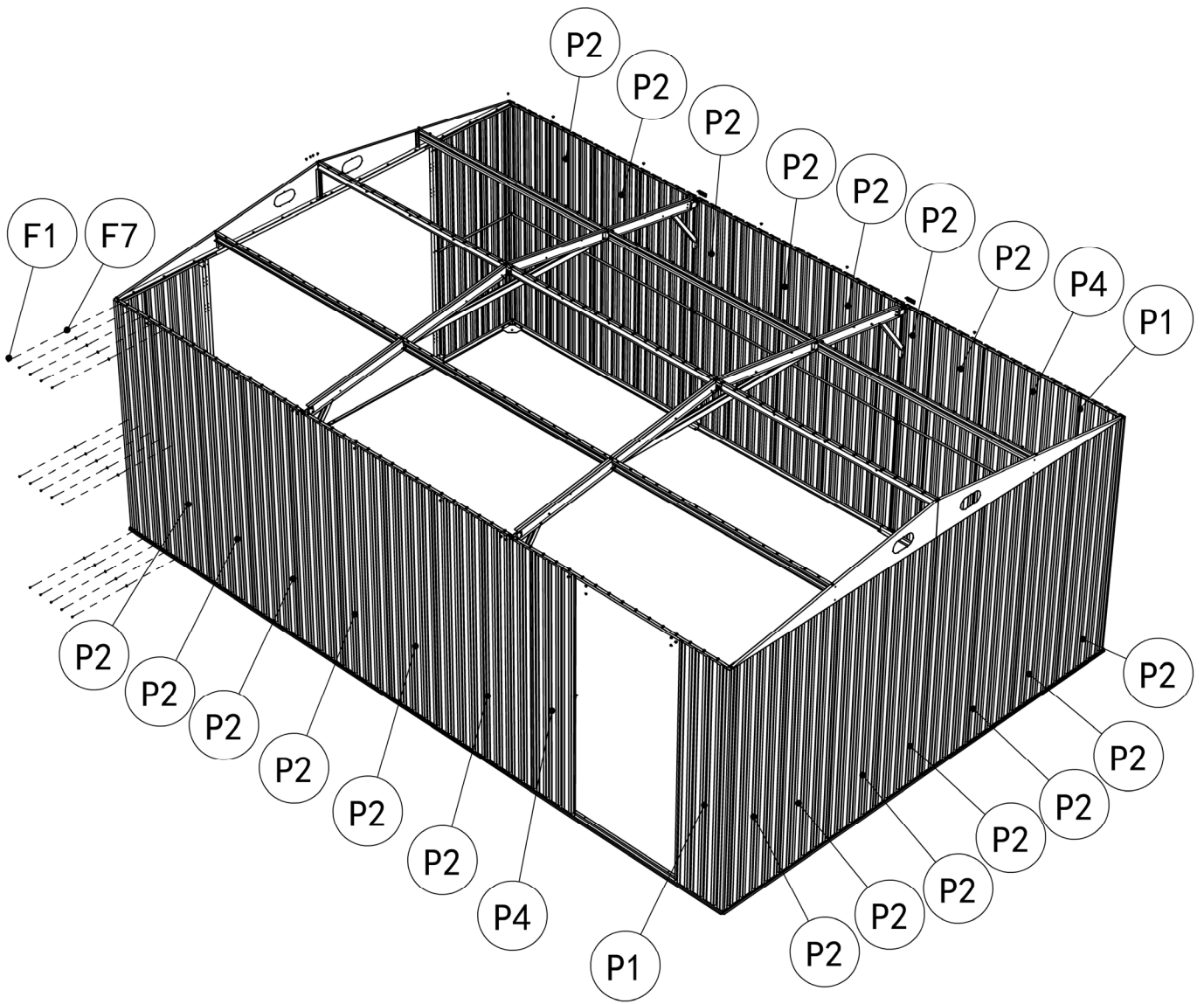


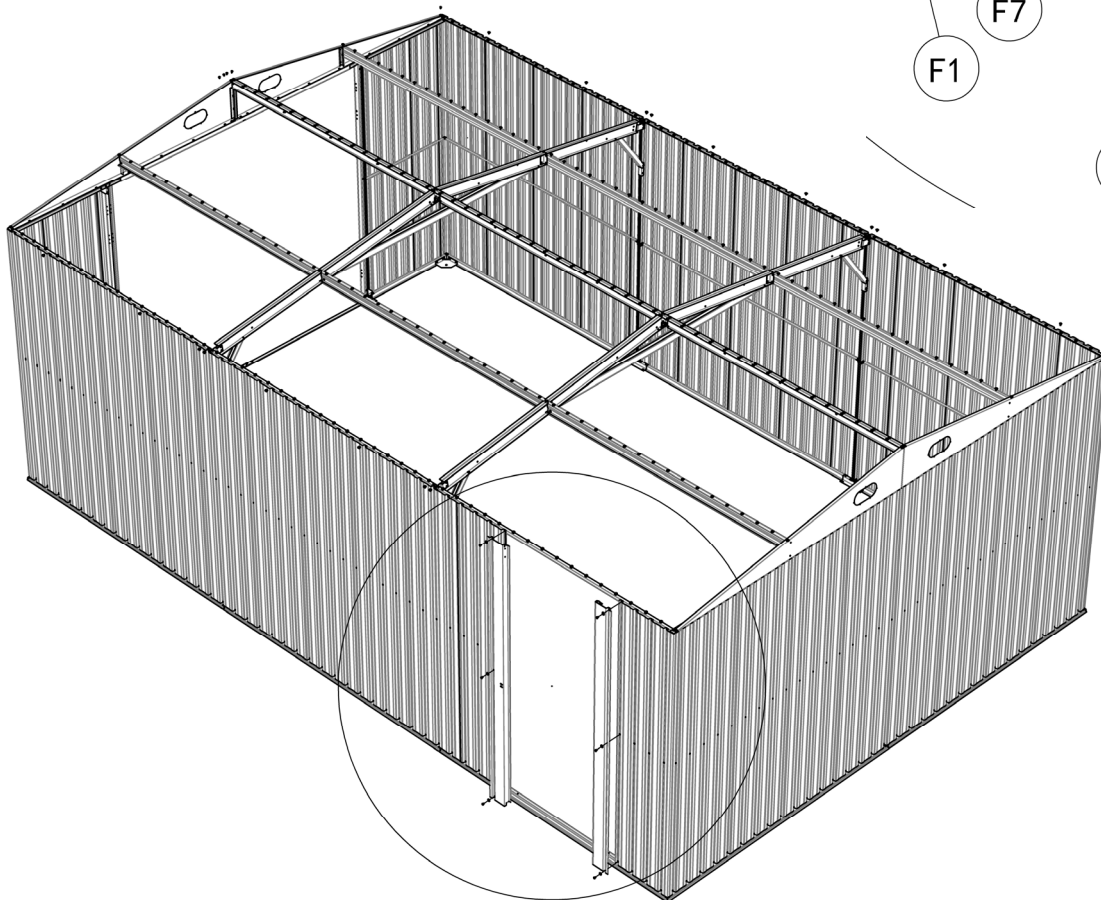
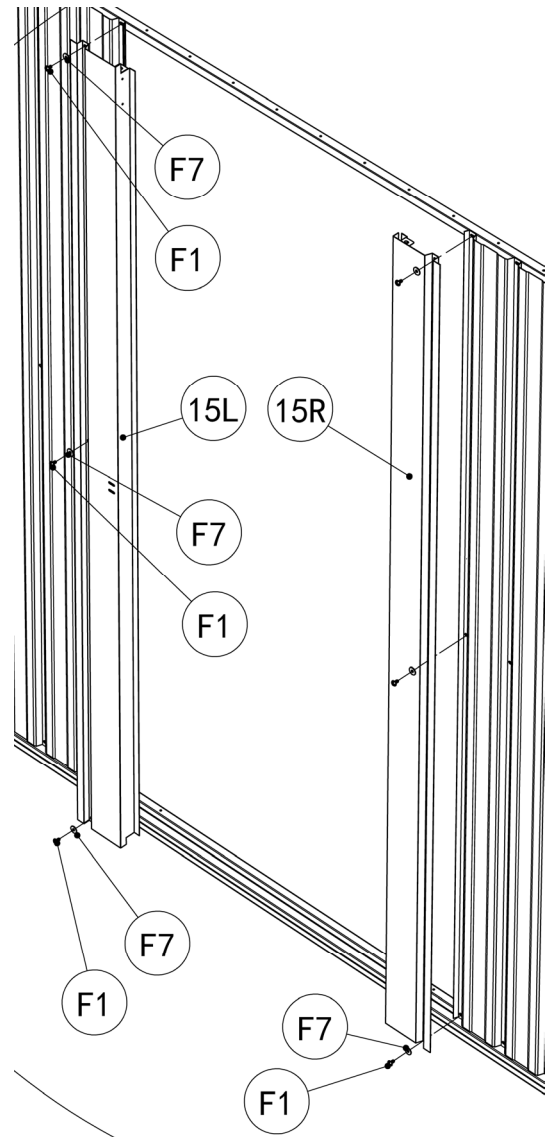
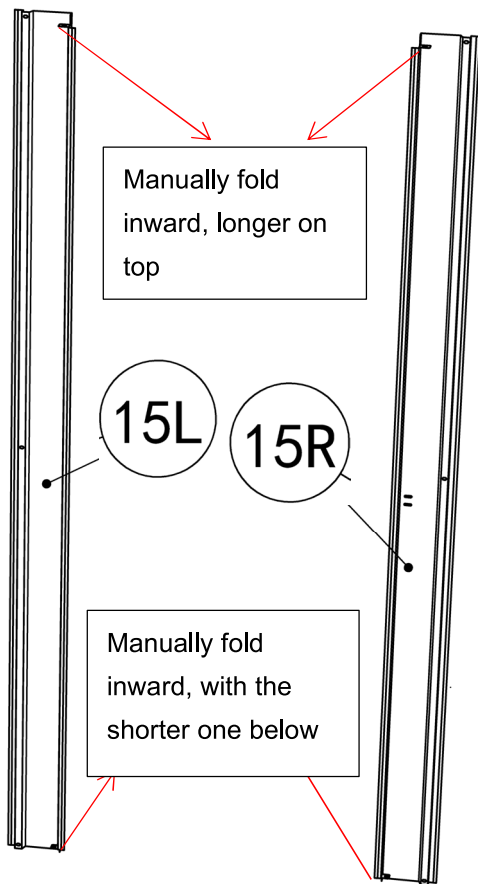
## 4. Wall Panel Assembly

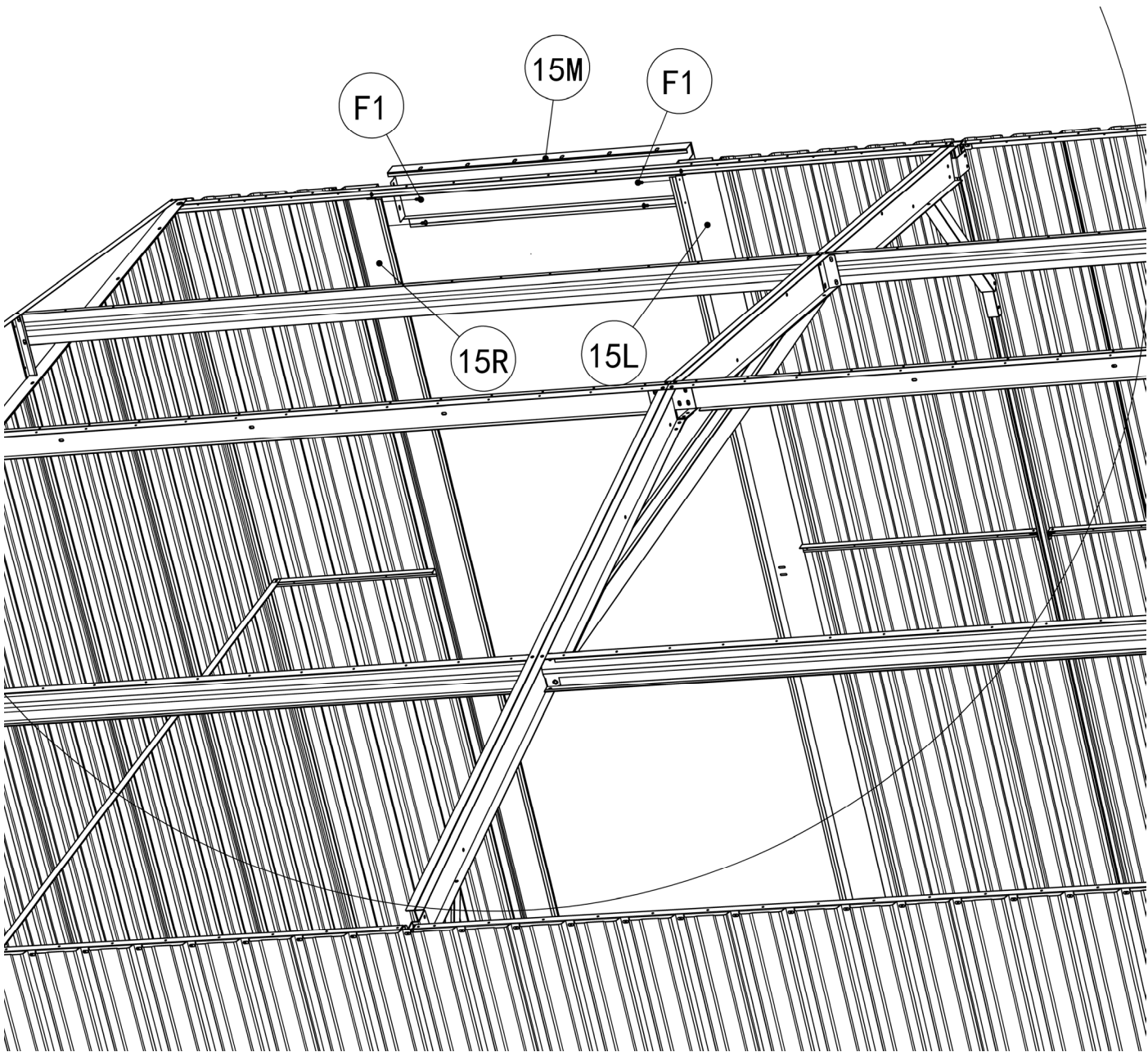
1. Fix P2 and P4 with F1 and F7;
2. Install 15L onto P4 and secure with F1 and F7, and install 15R onto P1 and secure with F1 and F7; Then buckle 15M onto 17 and fix it with F1;
3. Install 13L and 13R onto 20 and fix them with F1 and F7;

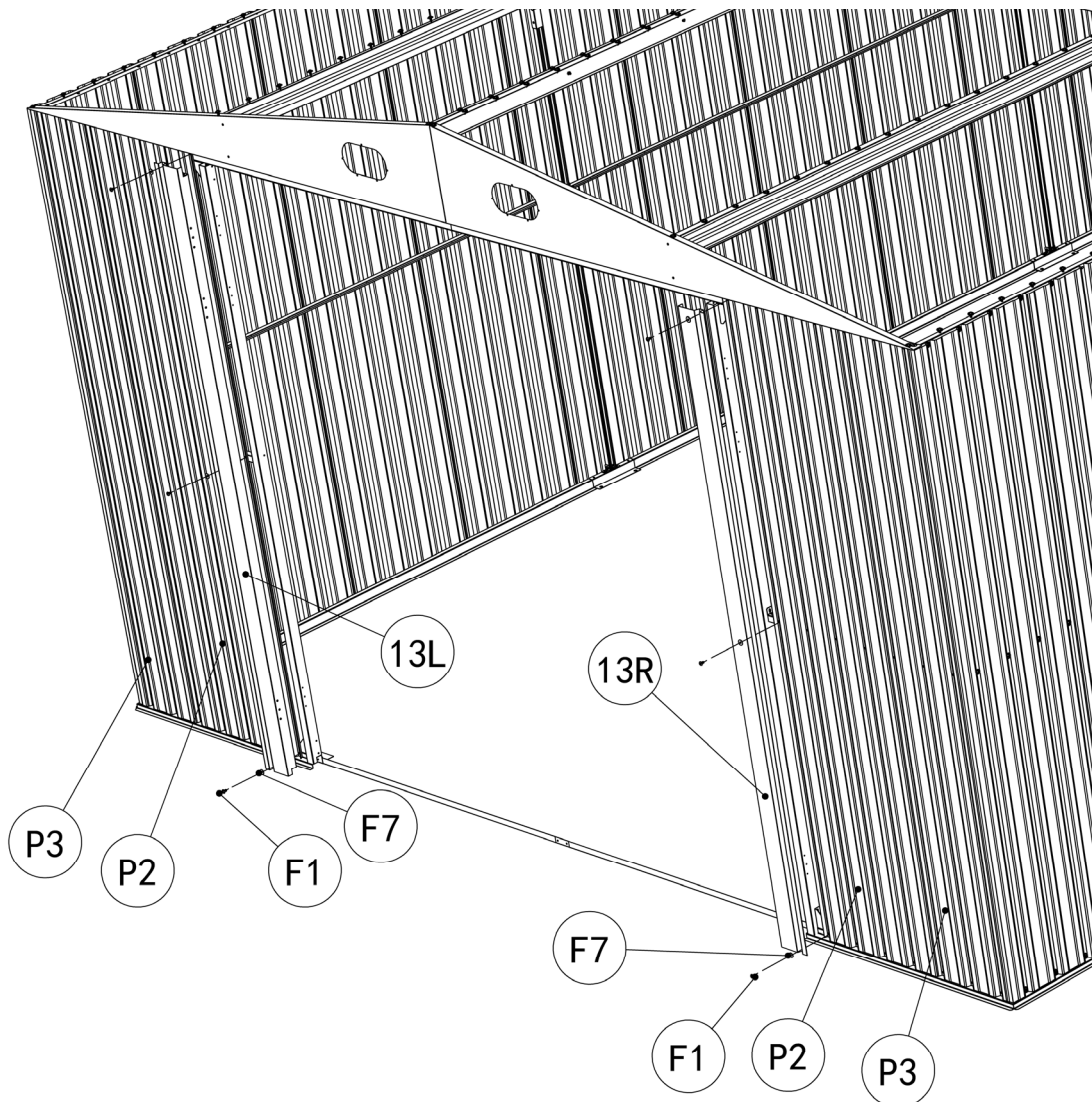
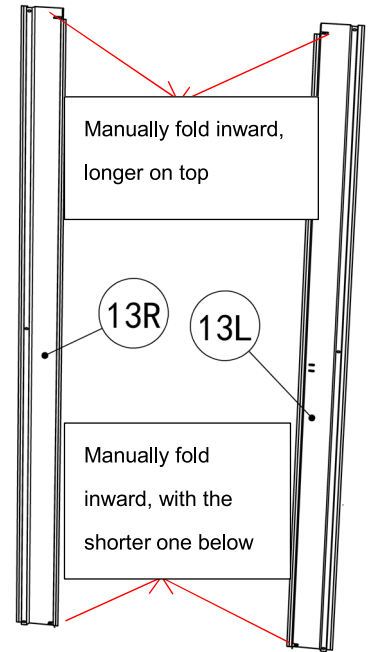
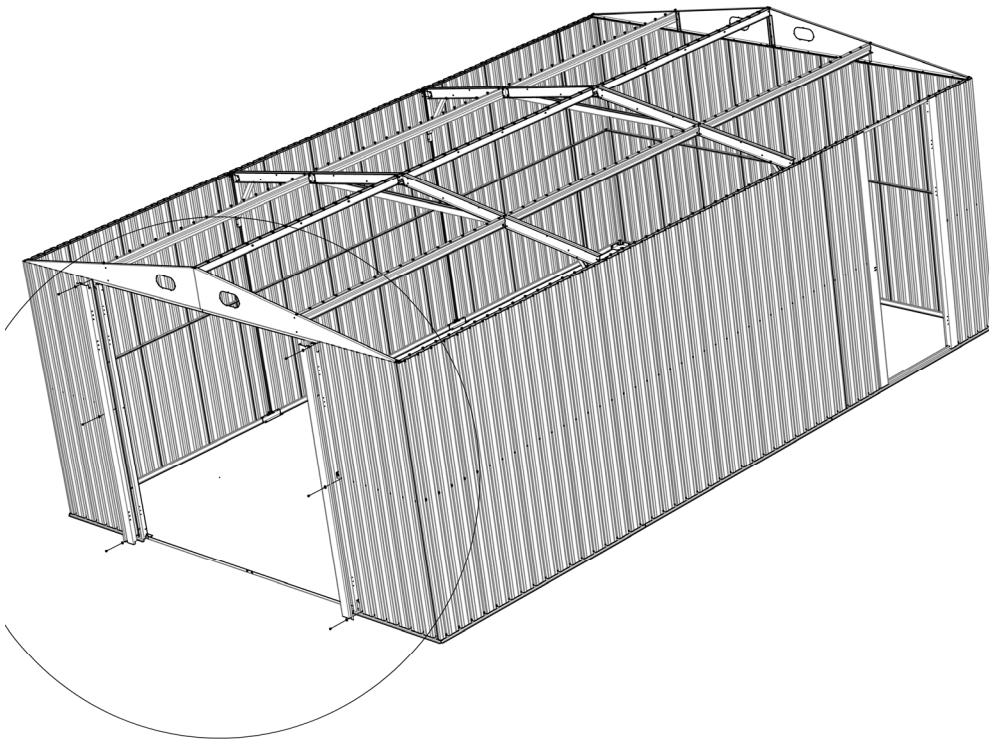
Part	No	Qty	Part	No	Qty	Part	No	Qty
	P2	28		F1	400		F7	396
	15L	1		13L	1			
	15R	1		13R	1			
	P4	2		15M	1			











# 5. Roof Panel Assembly

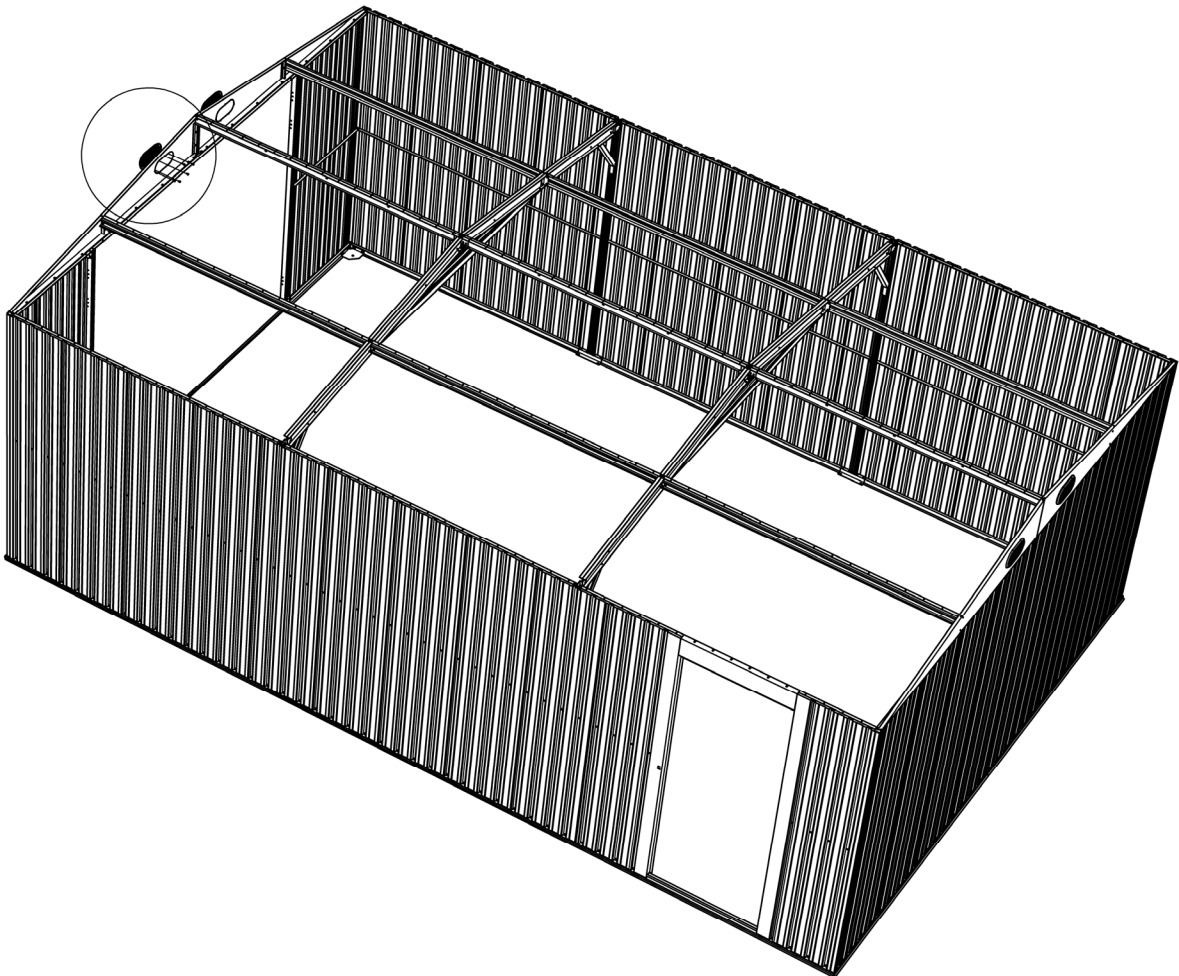
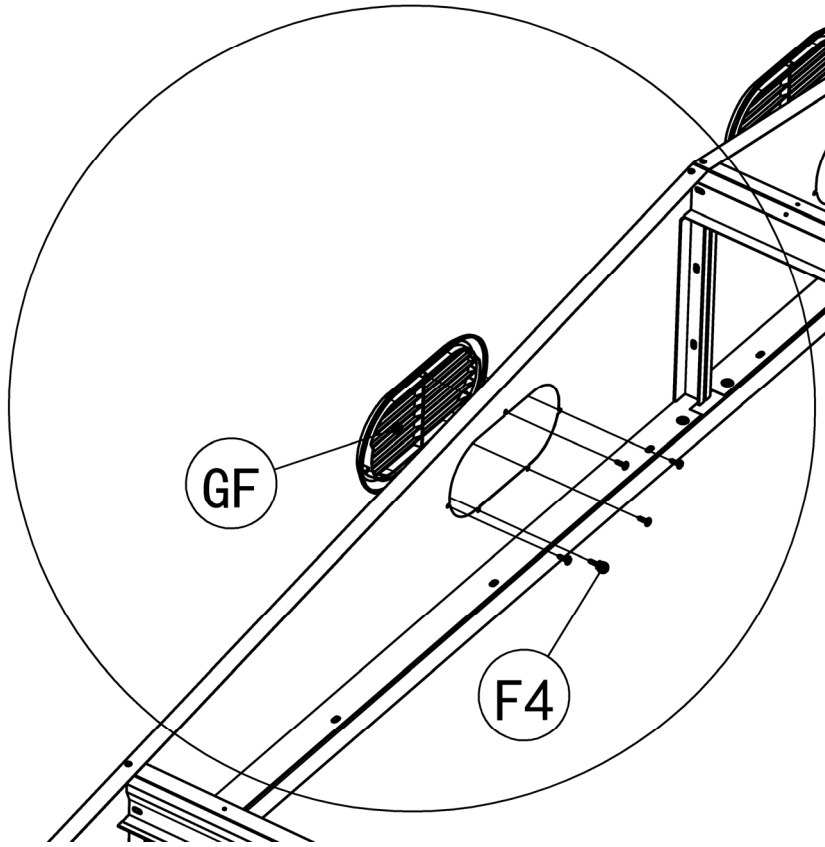
1. Fix GF with F4 on APL and APR;

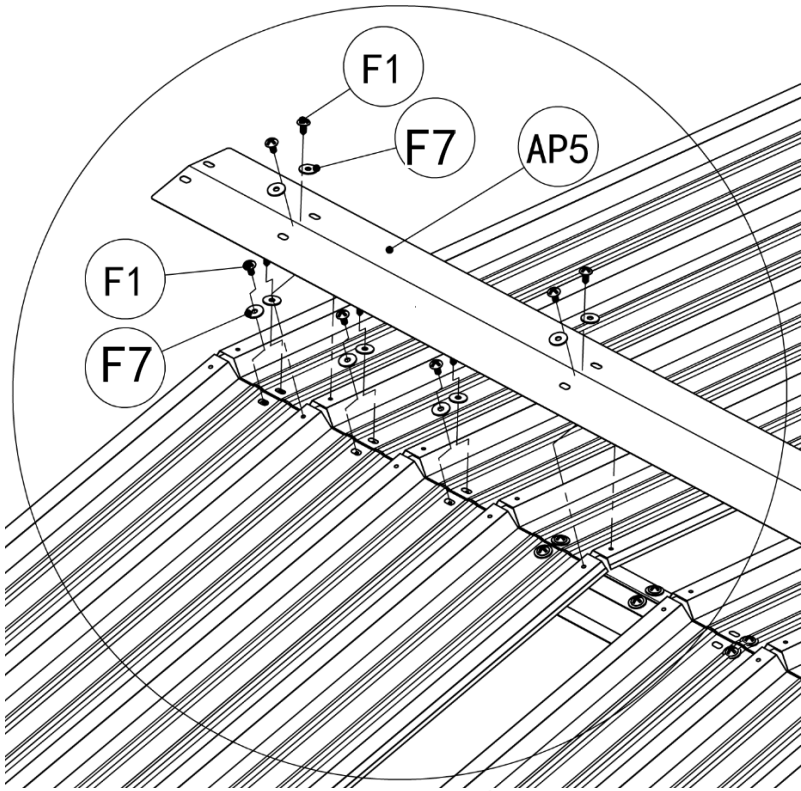
2. Install AP2 onto ABR, ABL, CR, CL, ABM, CM, and secure with F1 and F7. For every 4 AP2 installed, install AP5 onto AP2 and secure with F1 and F7;

3. Insert C4 into the middle hole between the first and last panels, and fix it with F1 and F7;

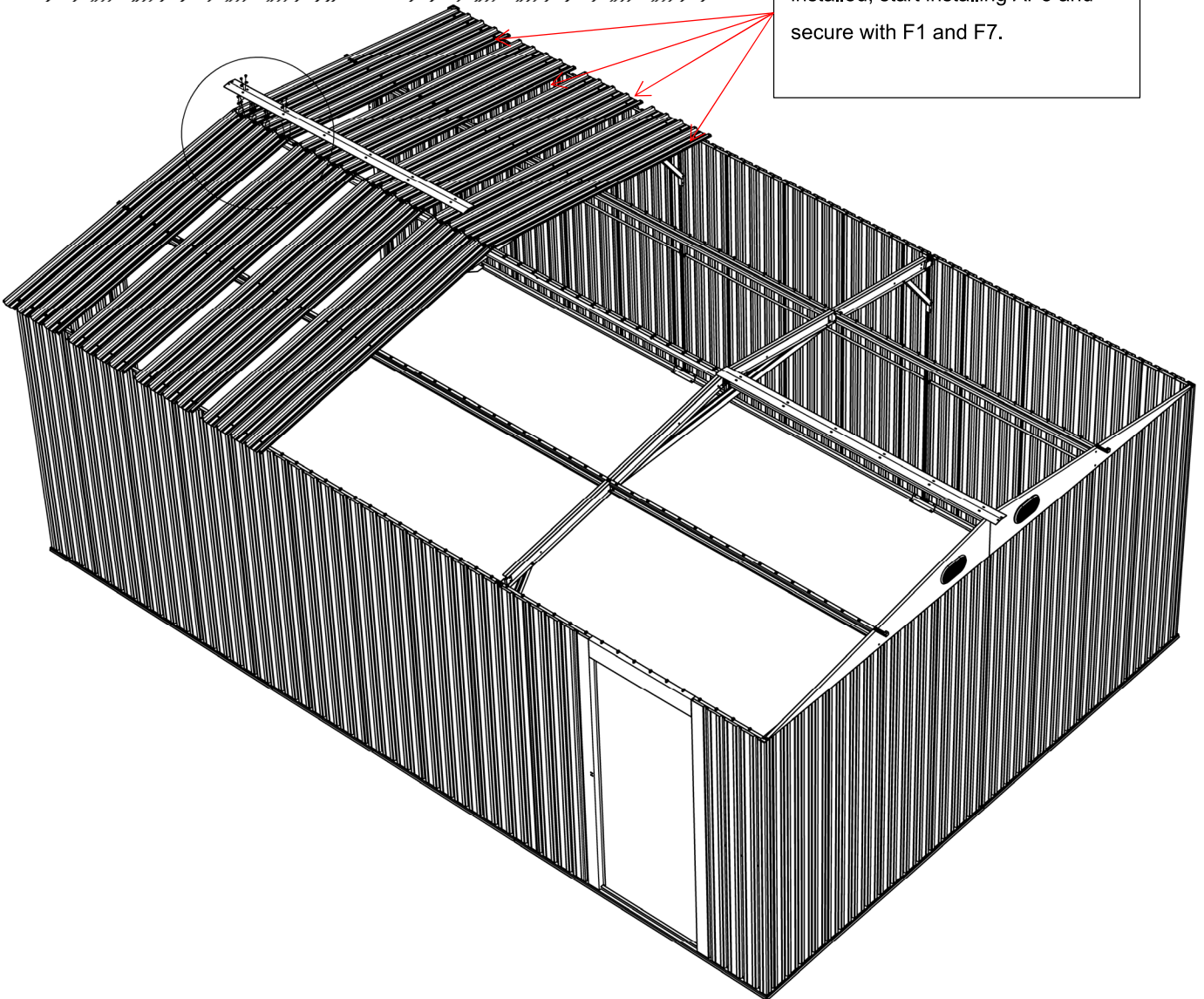
4. Fix AP6, RT3, RC2, AP7, AP8, and RC3 with F1 and F7.

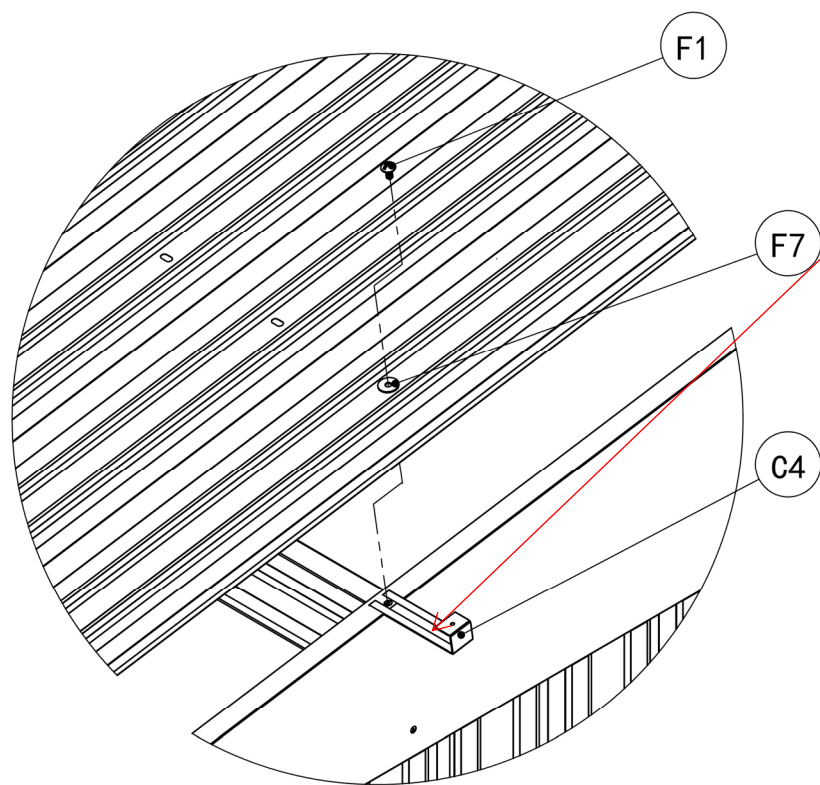
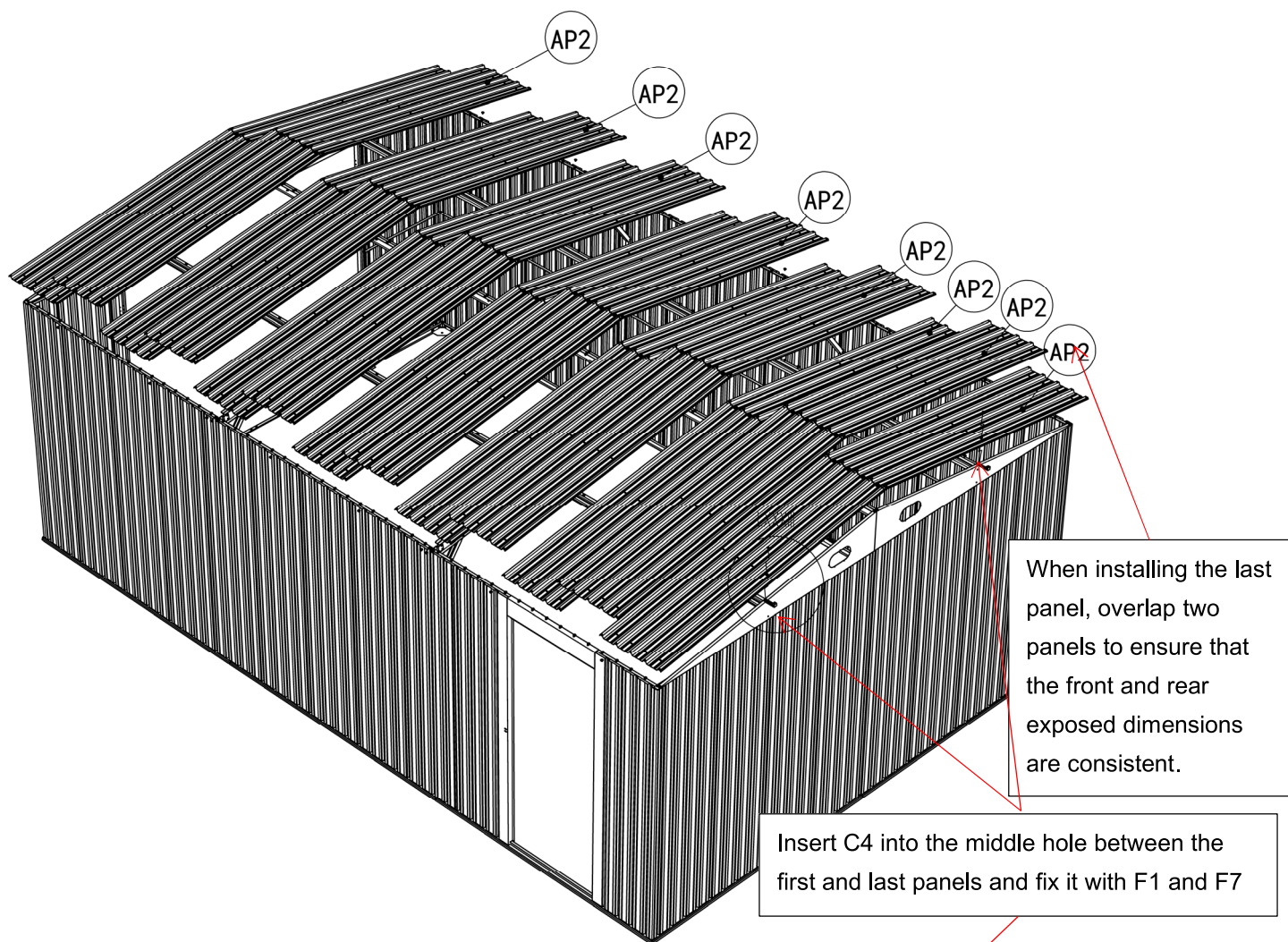
Part	No	Qty	Part	No	Qty	Part	No	Qty
	AP2	26		F1	328		F7	312
	AP7	4		RC2	4		AP5	3
	RC3	4		AP6	4		C4	4
	AP8	2		RT3	2		GF	4
	F4	20						



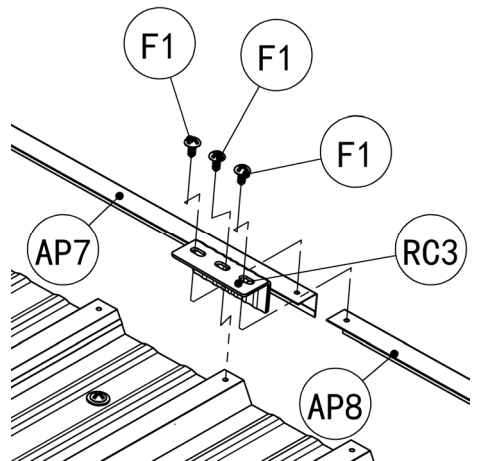
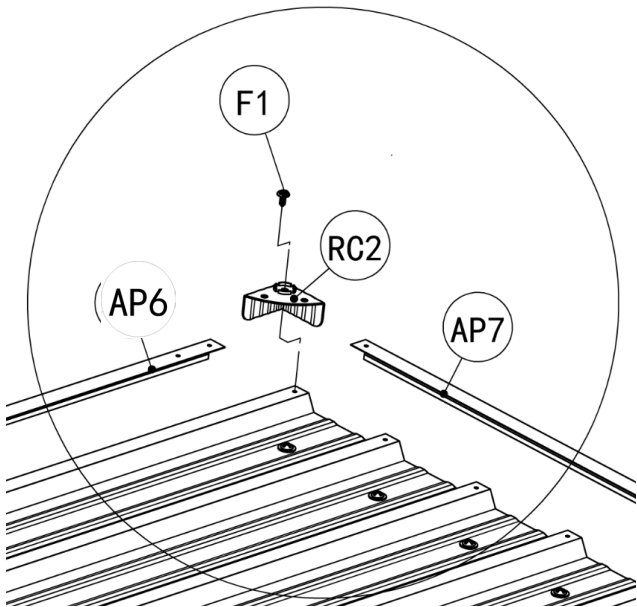
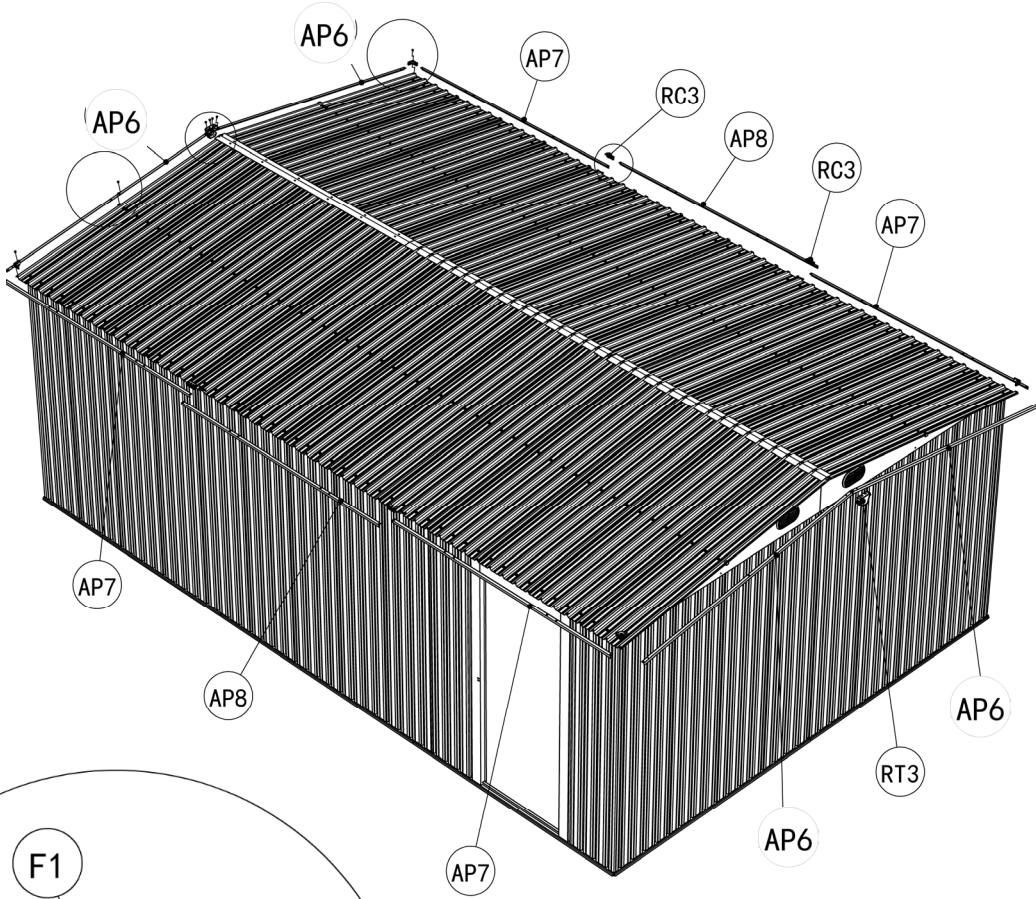
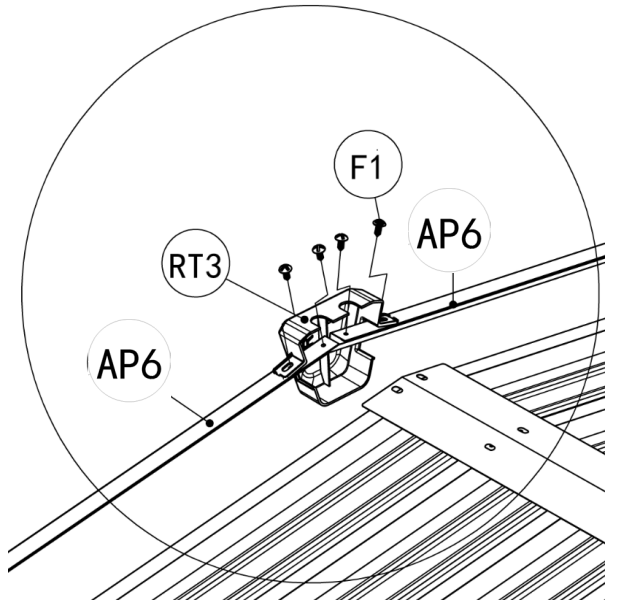
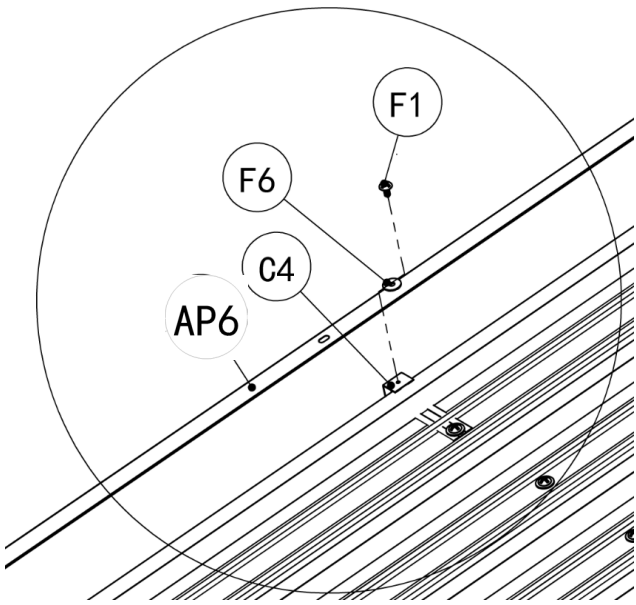


Whenever four AP2 modules are installed, start installing AP5 and secure with F1 and F7.

















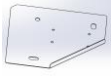





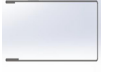






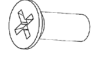


# 6. Door Assembly

(1) Side installation: Connect D15, D21, D16, D17, and D18, and fix them with F13 and F6; Flip the assembly to the back, install D19, D20, and fix them with F11, F13, and F6; Flip over to the front and install GB, secure with F14 and F6; Install D9 and secure with F13 and F6; Fix S1 with F11;

(2) Left door installation: Connect D1, D4, D2, D5, D6, D12 and fix them with F13 and F6; Flip the assembly to the back, install D7, D8, D11, D3, and D10 and fix them with F11, F13, and F6; Flip over to the front and install GB, D9, and fix them with F13, F6, F14, and F15; Fix S1 with F11; Fix GD with F11;

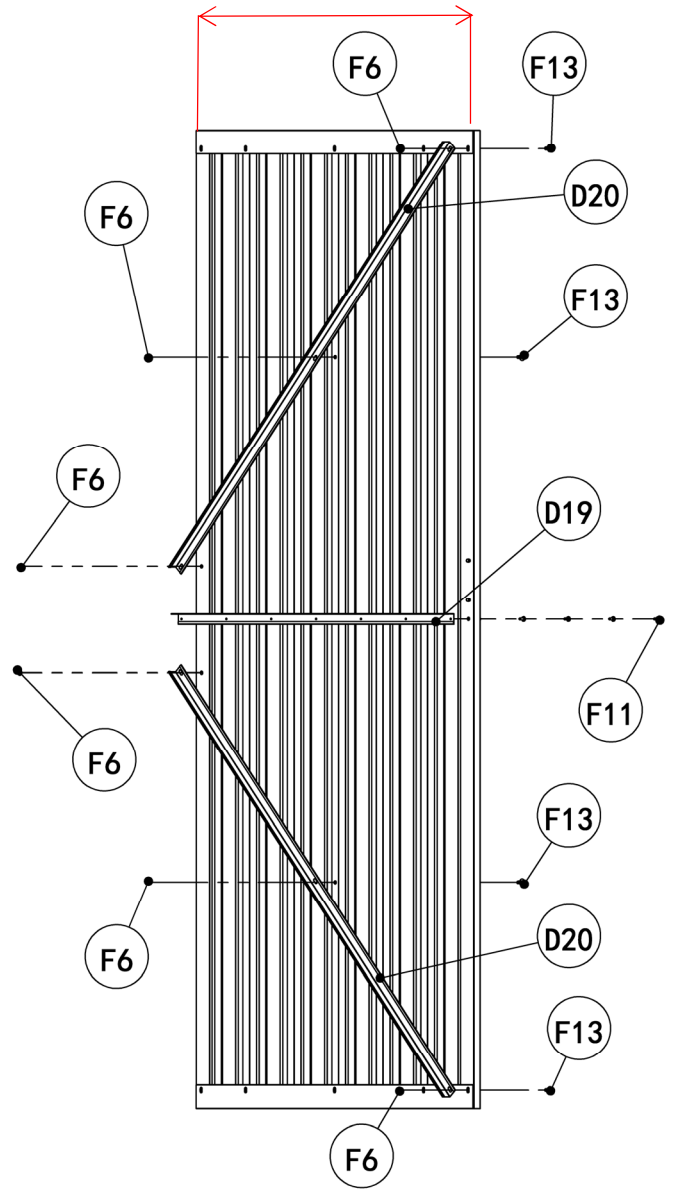
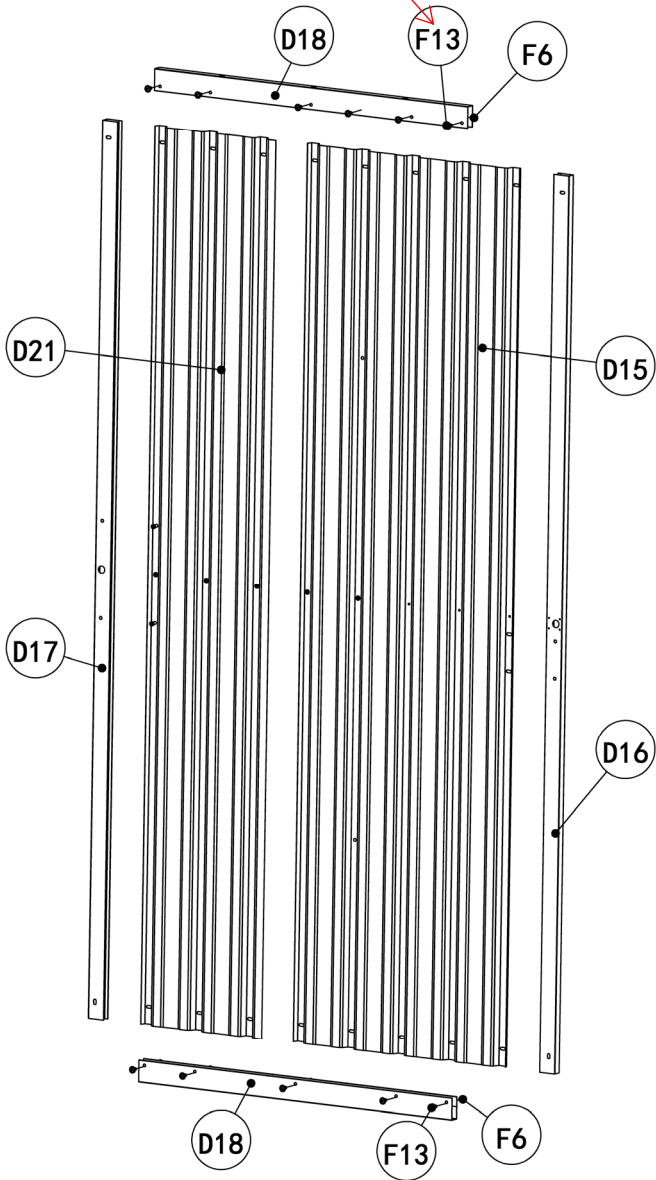
(3) Right door installation: Connect D2, D13, D14, D4, D12, D5 and fix them with F13 and F6; Flip the assembly to the back, install D7, D8, D3, and D10 and fix them with F11, F13, and F6; Flip over to the front and install GB, D9, and fix them with F13, F6, F14, and F15; Fix S1 with F11;

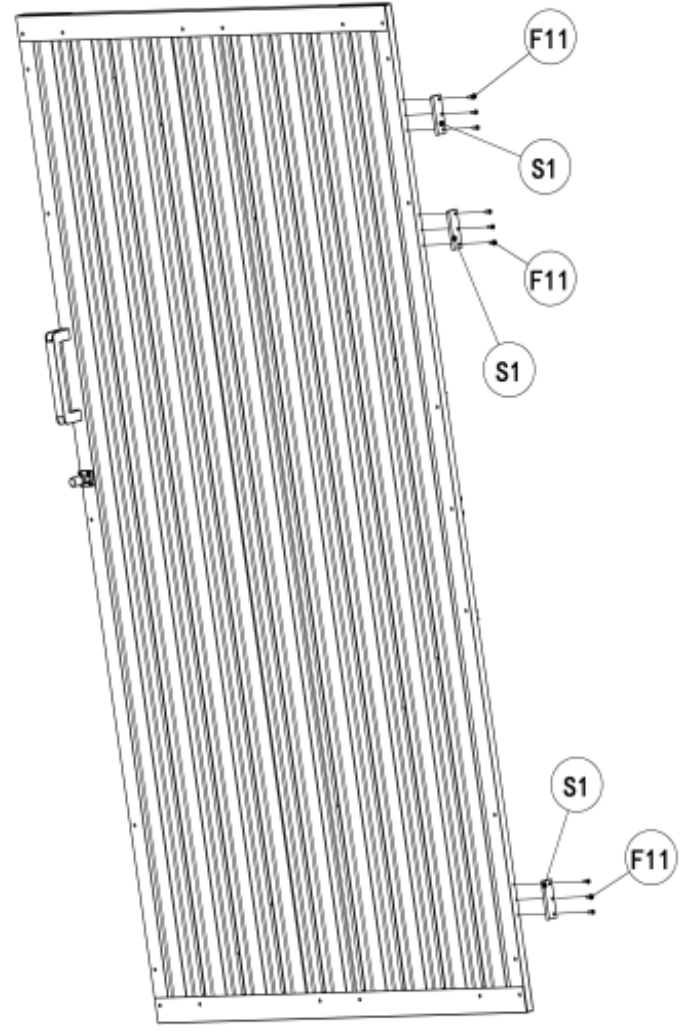
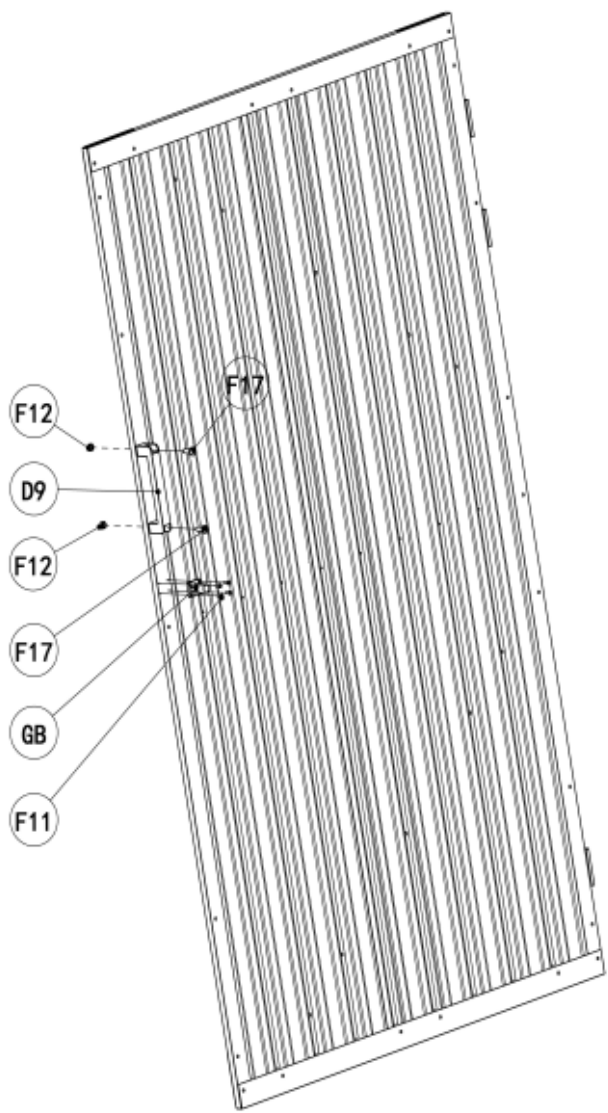
Part	No	Qty	Part	No	Qty	Part	No	Qty
	D1	2		D5	1		D13	1
	D2	4		D6	1		D14	1
	D3	3		D7	4		D15	1
	D4	3		D8	4		D16	1
	D9	3		D11	1		D17	1
	D10	4		D12	2		D18	2
	D19	1		D21	1		F6	66
	D20	2		F13	66		F15	4
	F11	62		F14	4			

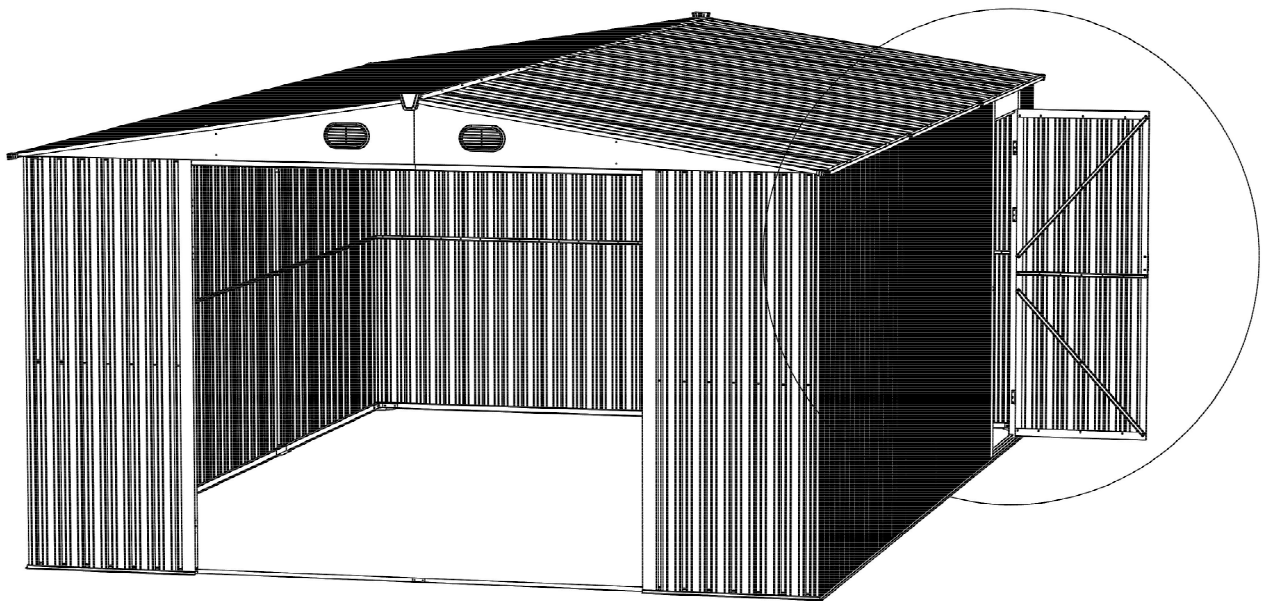
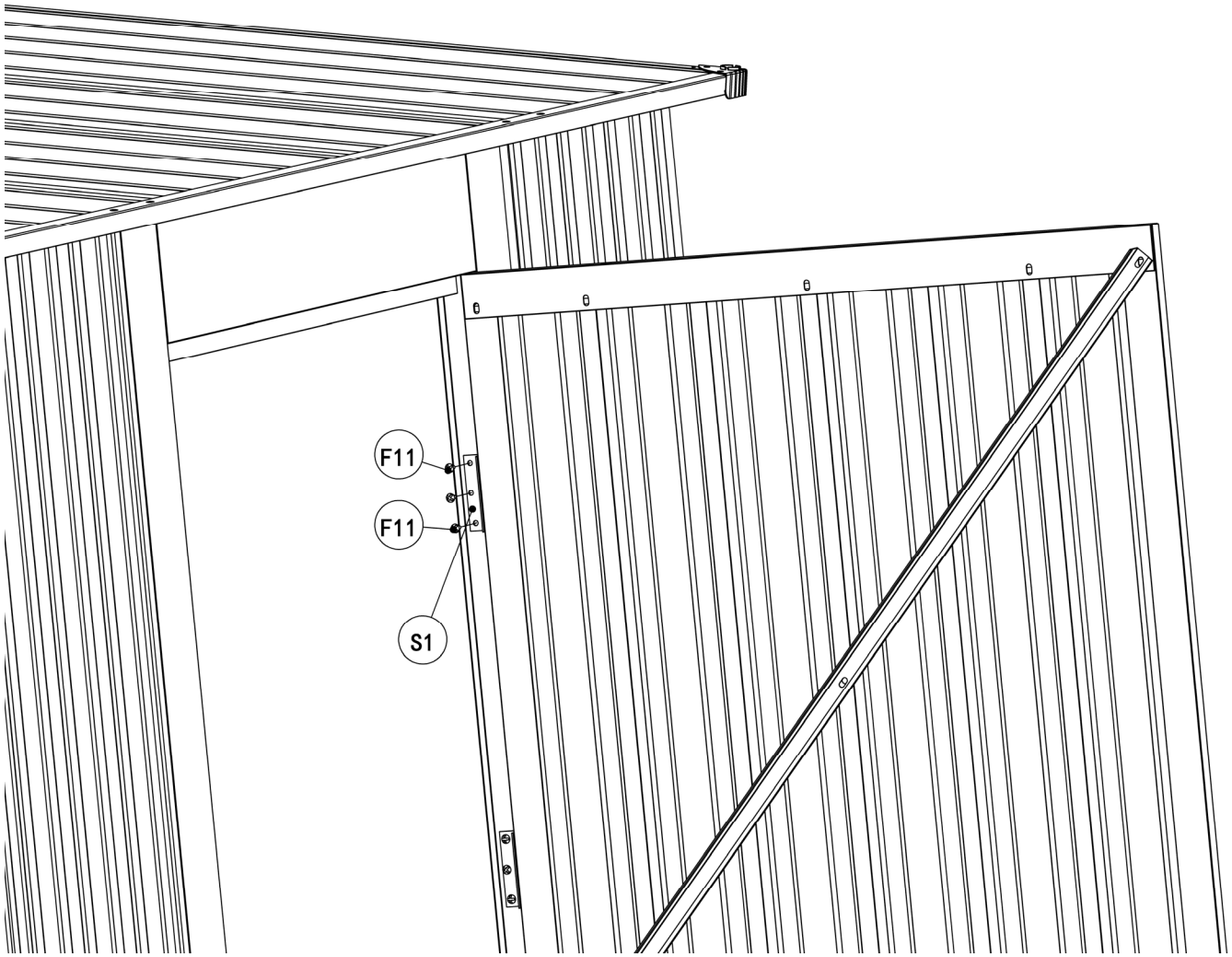
# Side door installation

The screws do not need to be locked tightly first.

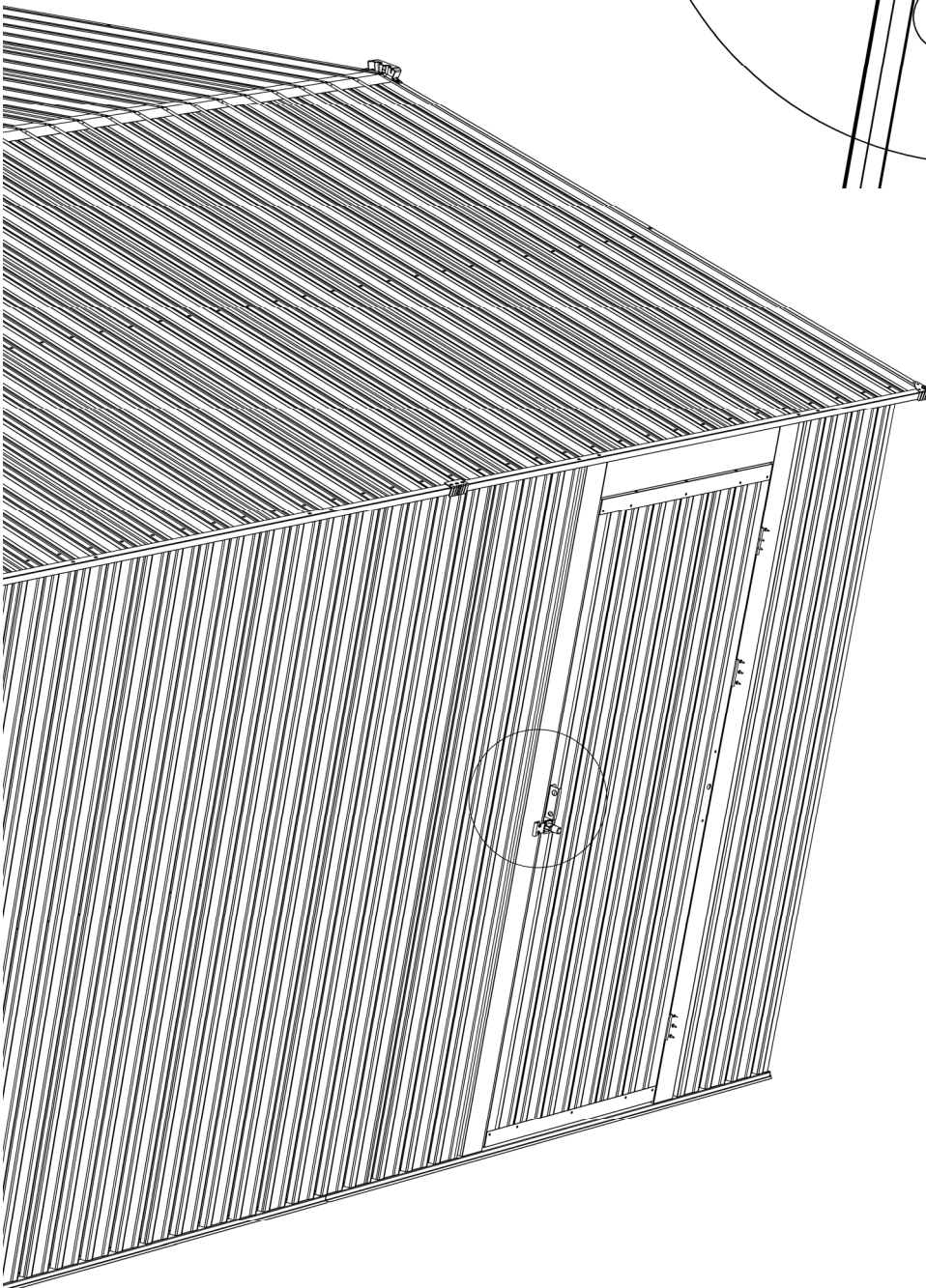
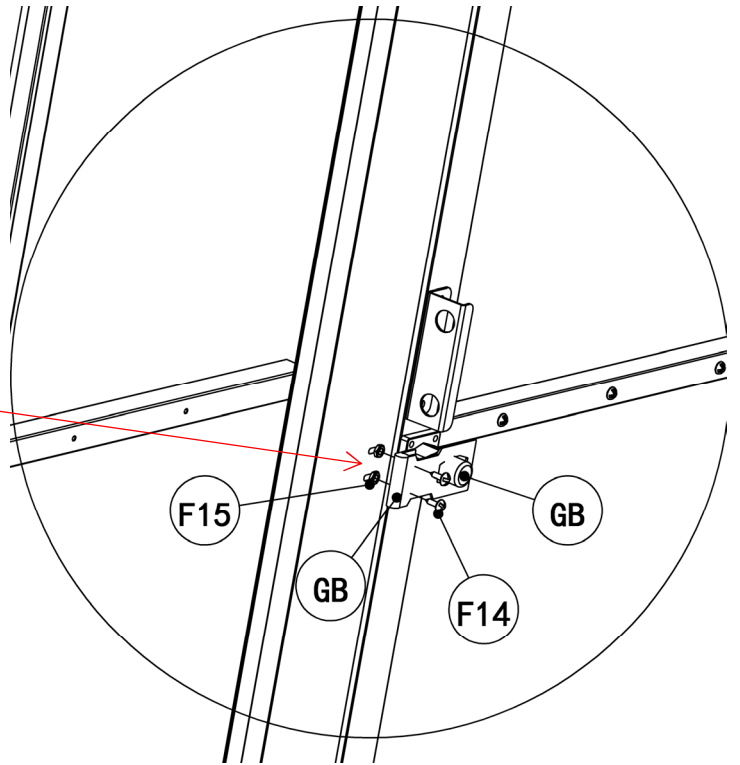
After adjusting the size to 29", lock it tightly.





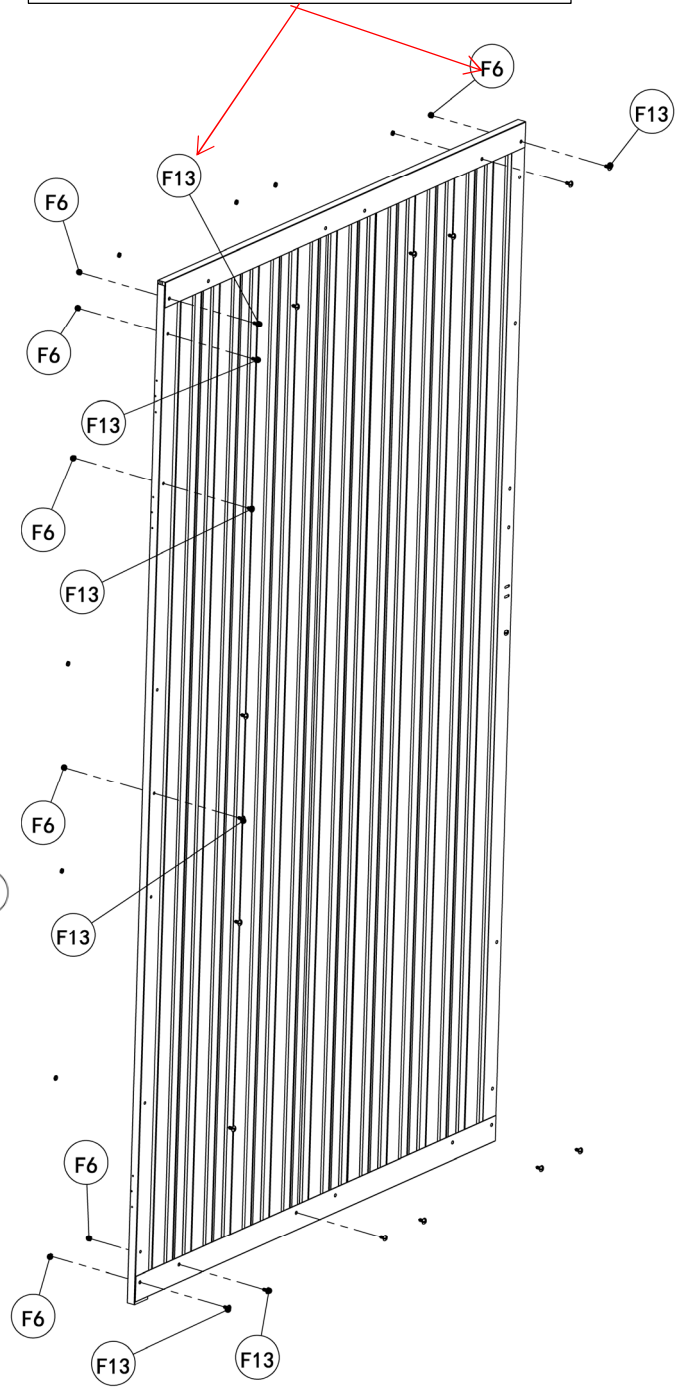
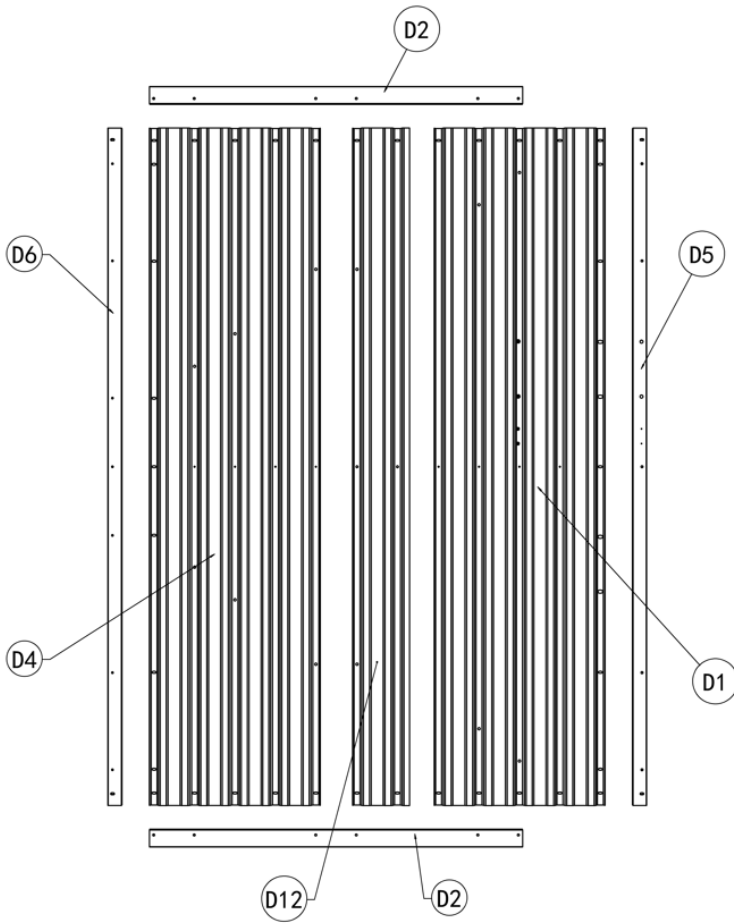


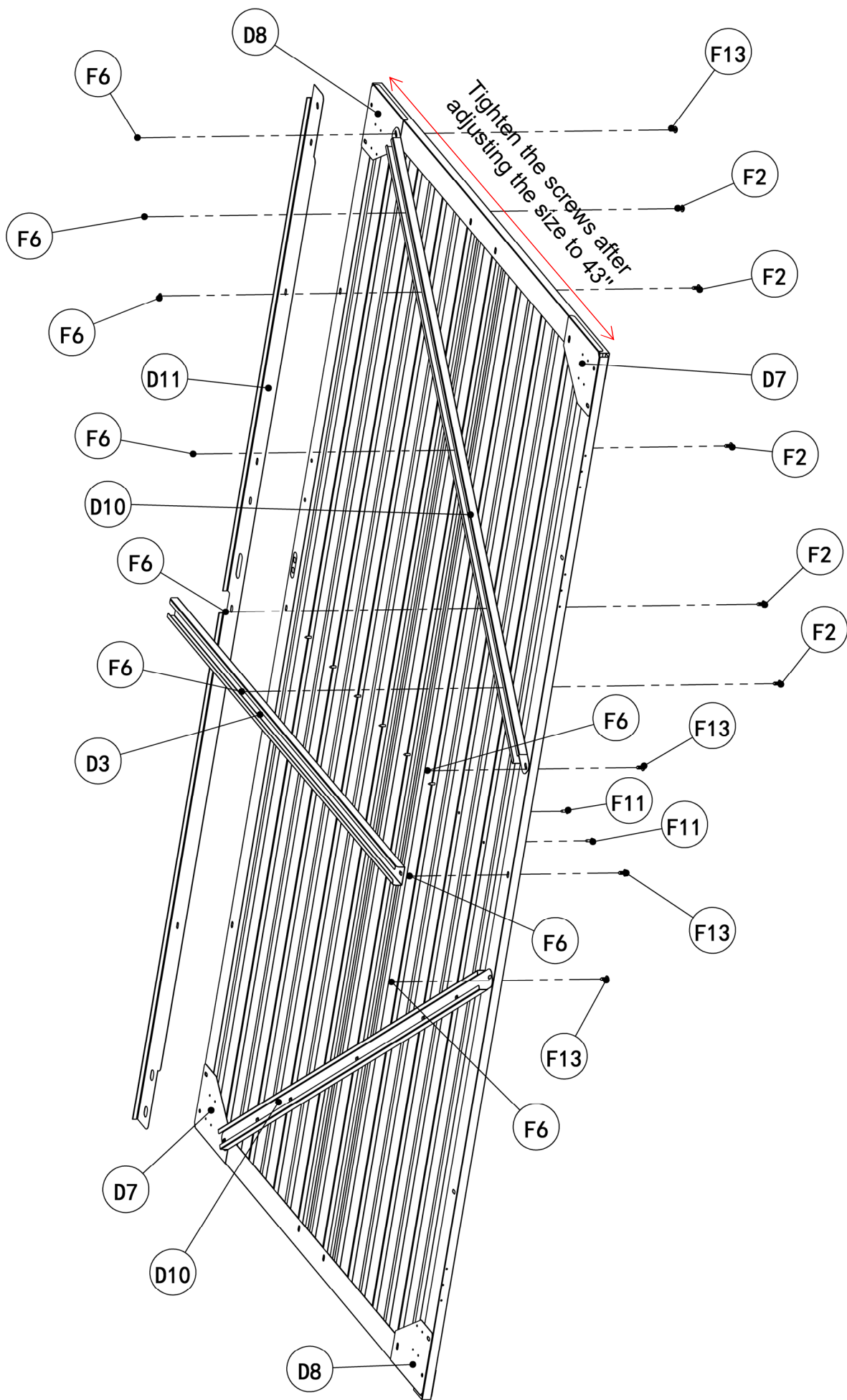
After aligning the lock buckle with the lock head, tighten the screws



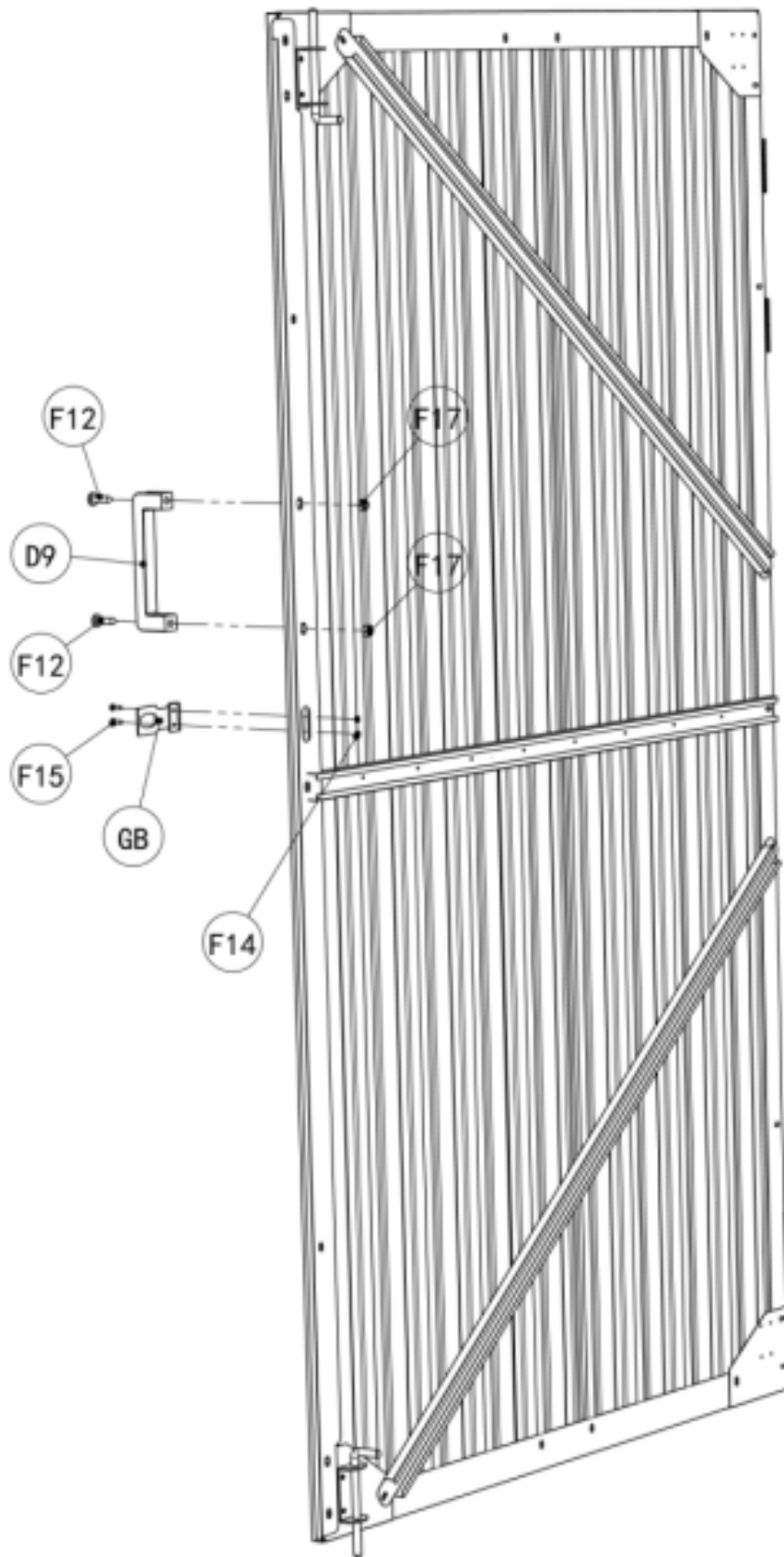
# Left door installation

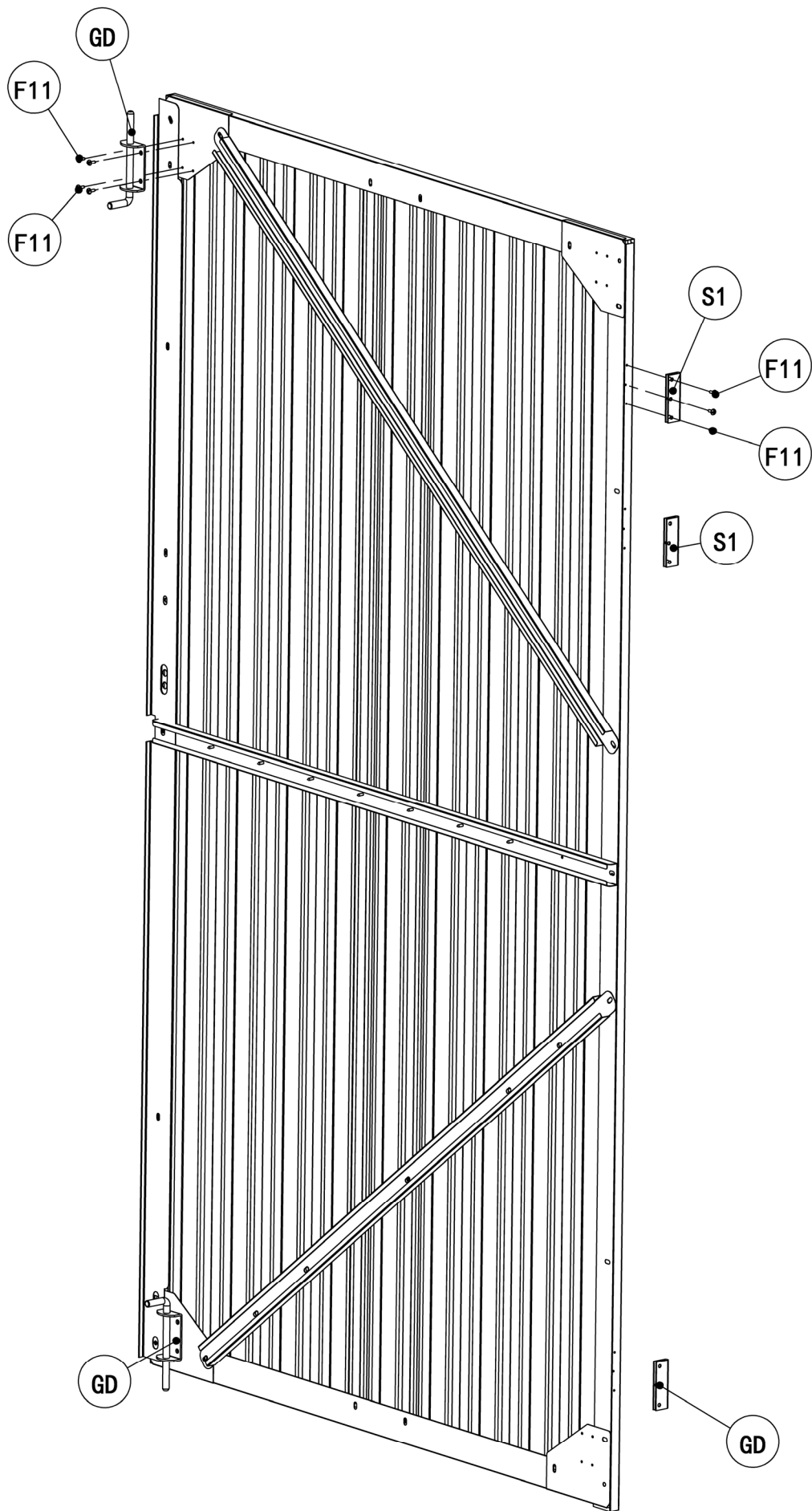
The screws do not need to be locked tightly





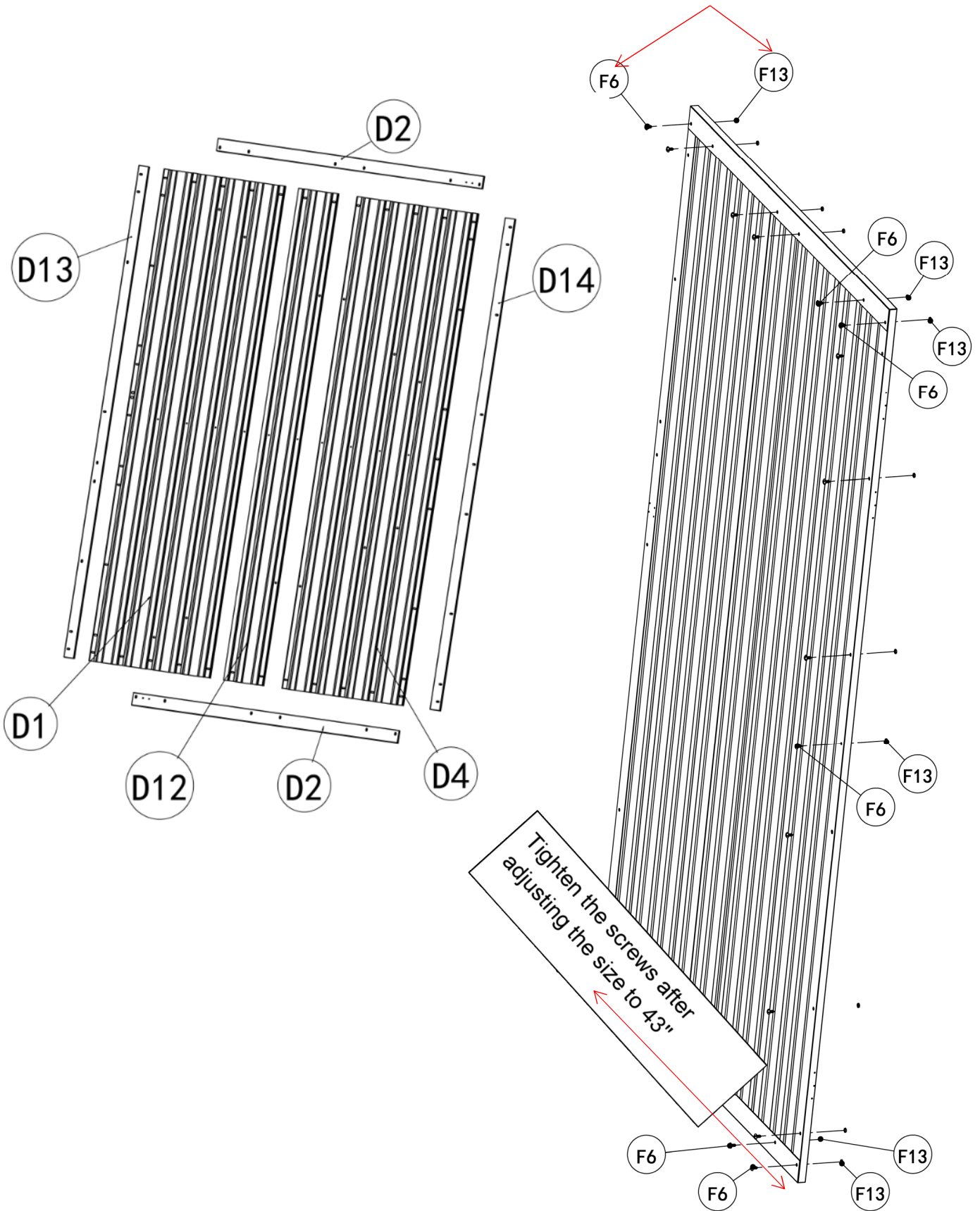


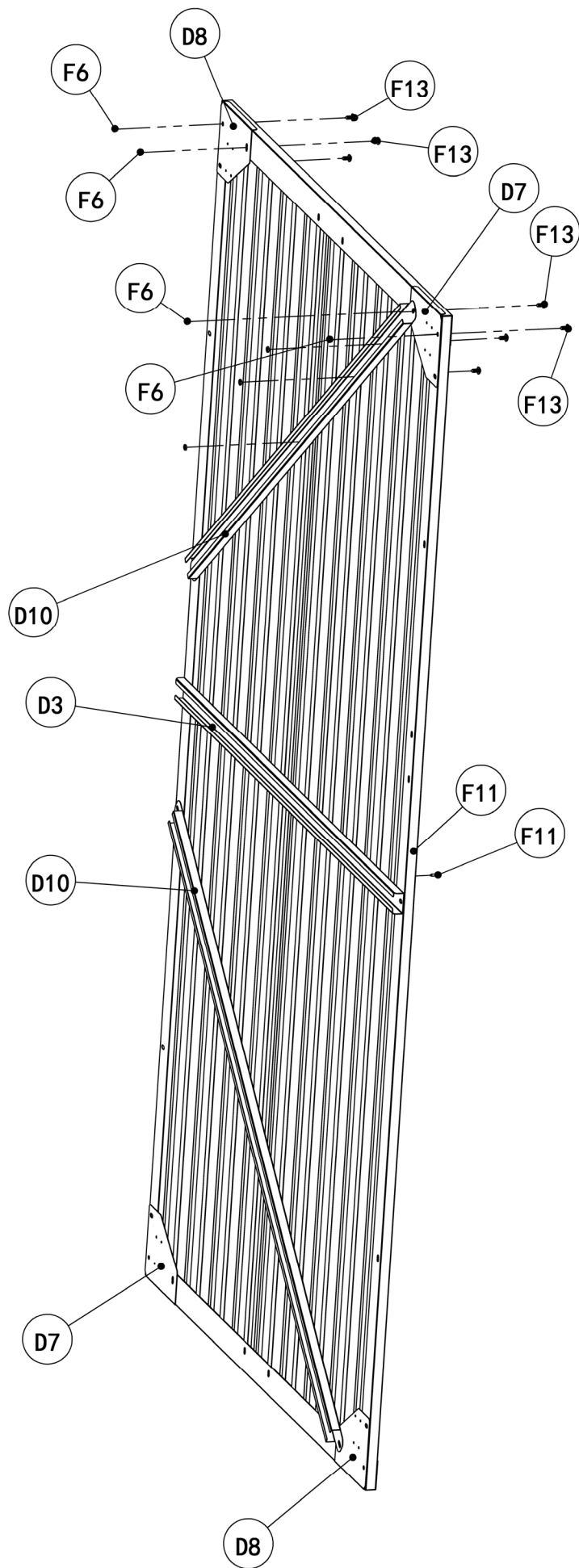


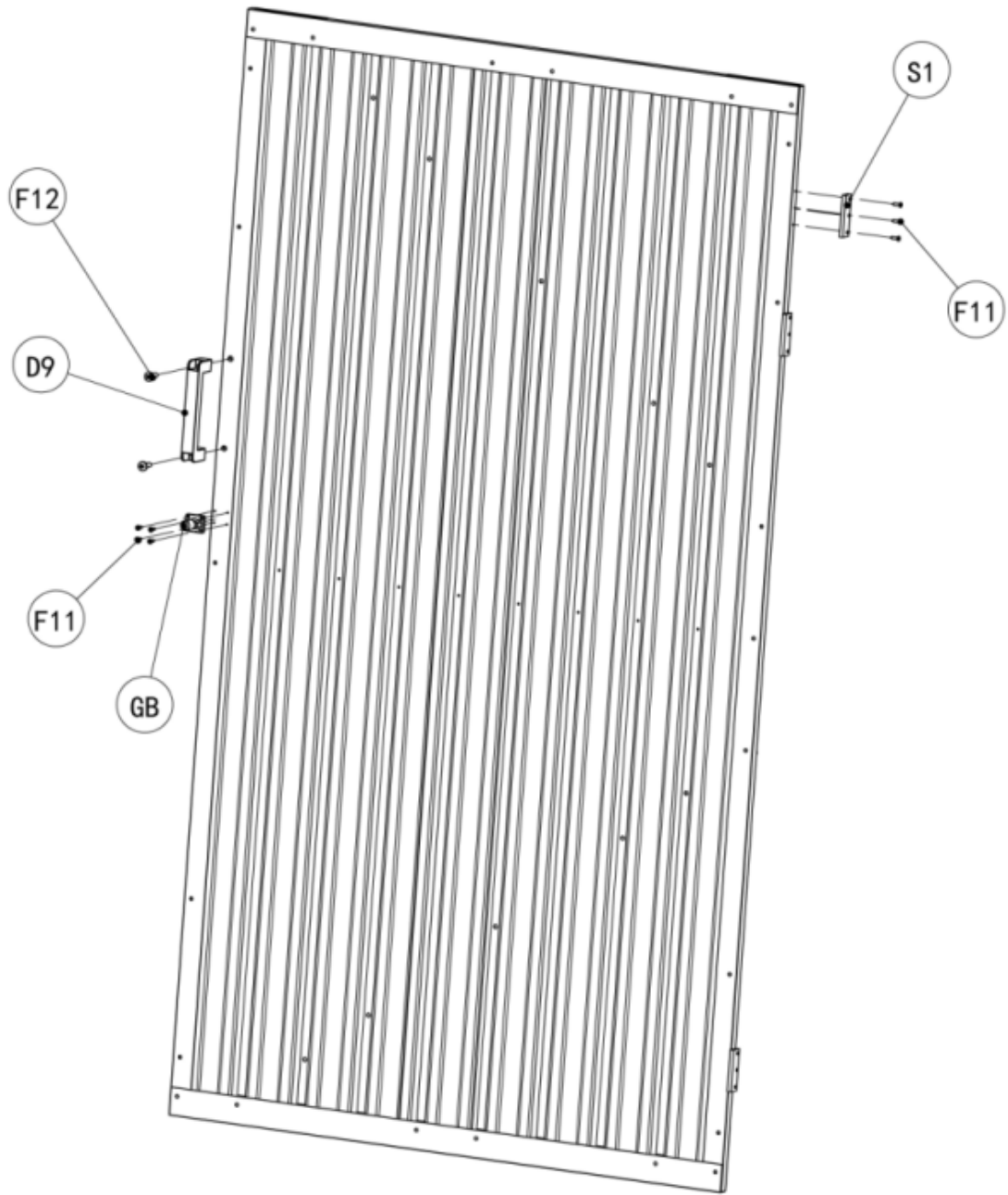


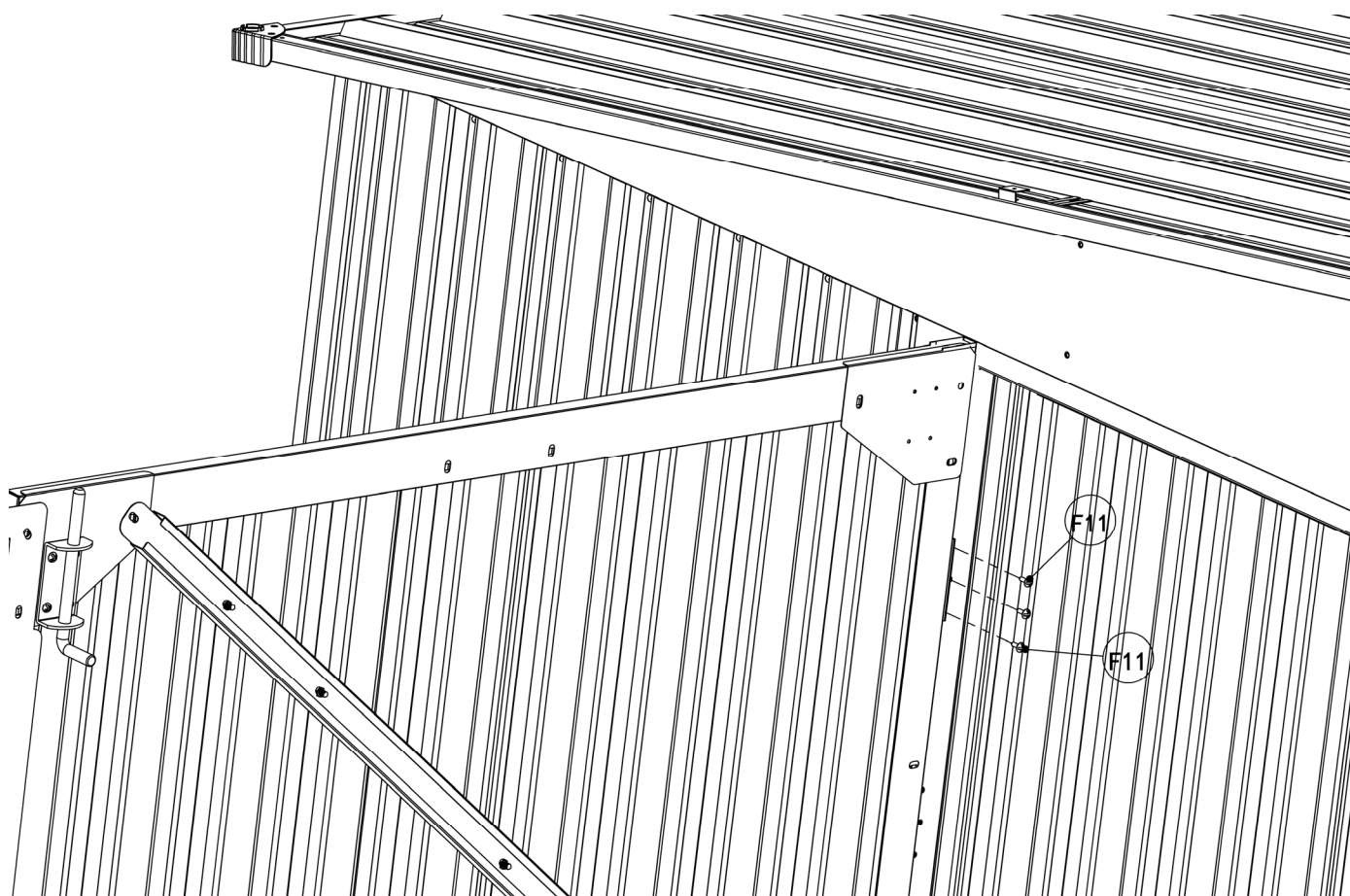
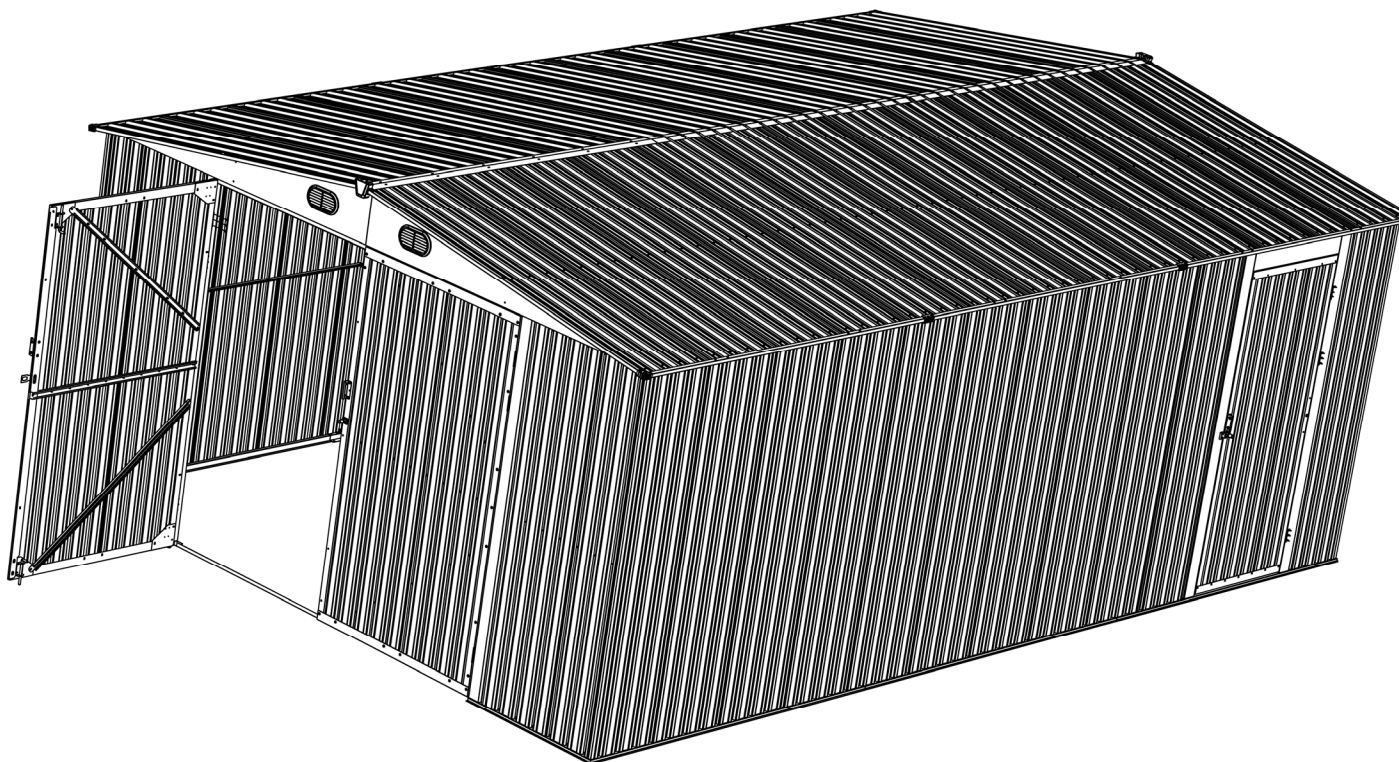
# Right door installation

The screws do not need to be locked tightly.



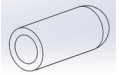


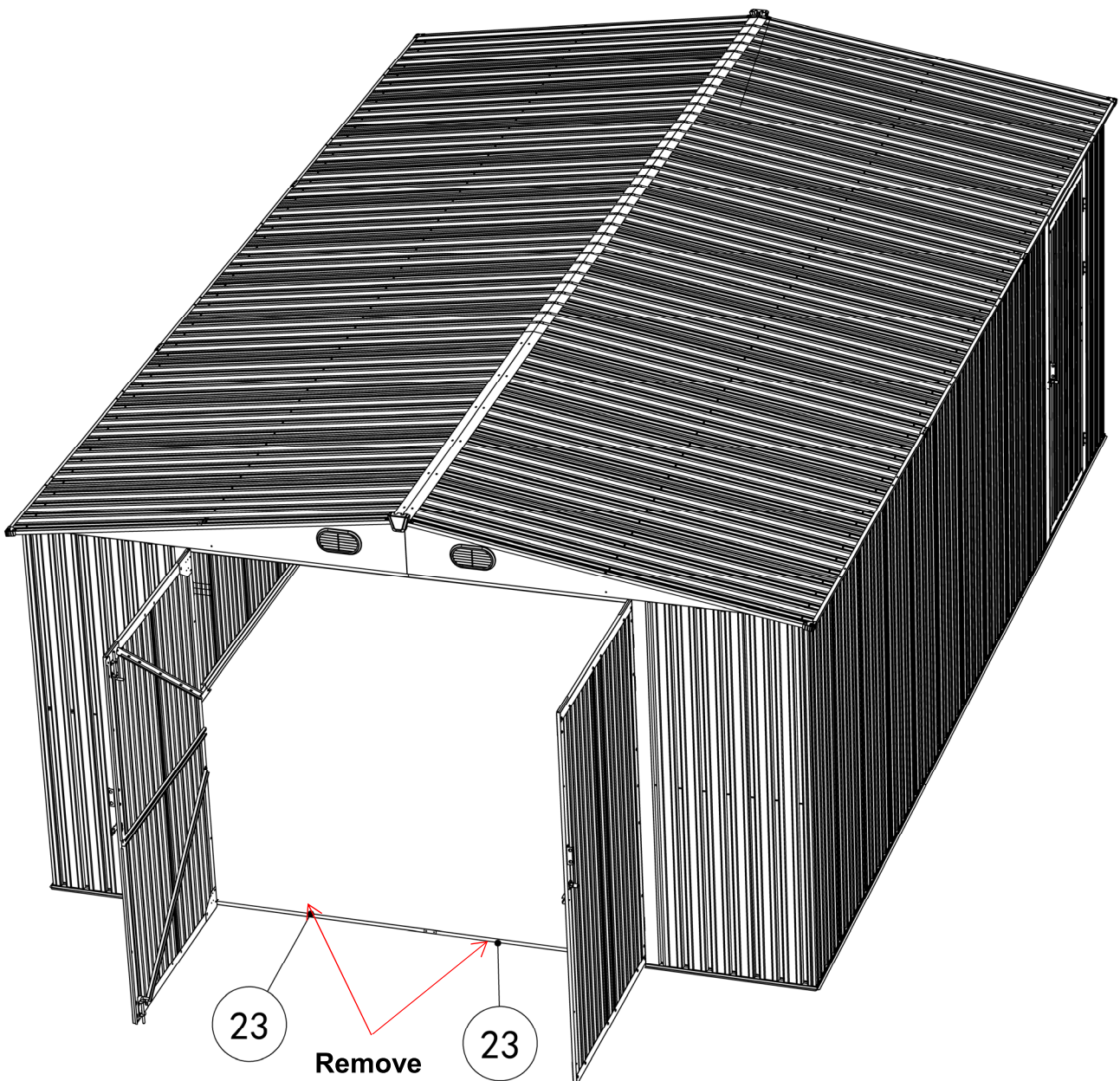




## 7. Final Assembly

1. Remove two 23 if needed.
2. Cover the exposed F1 in the house with F8.

Part	No	Qty
	F8	302



## This accessory is a supplementary part for door installation




When the hinge can not lock tightly Use L1 and R1 to adjust.

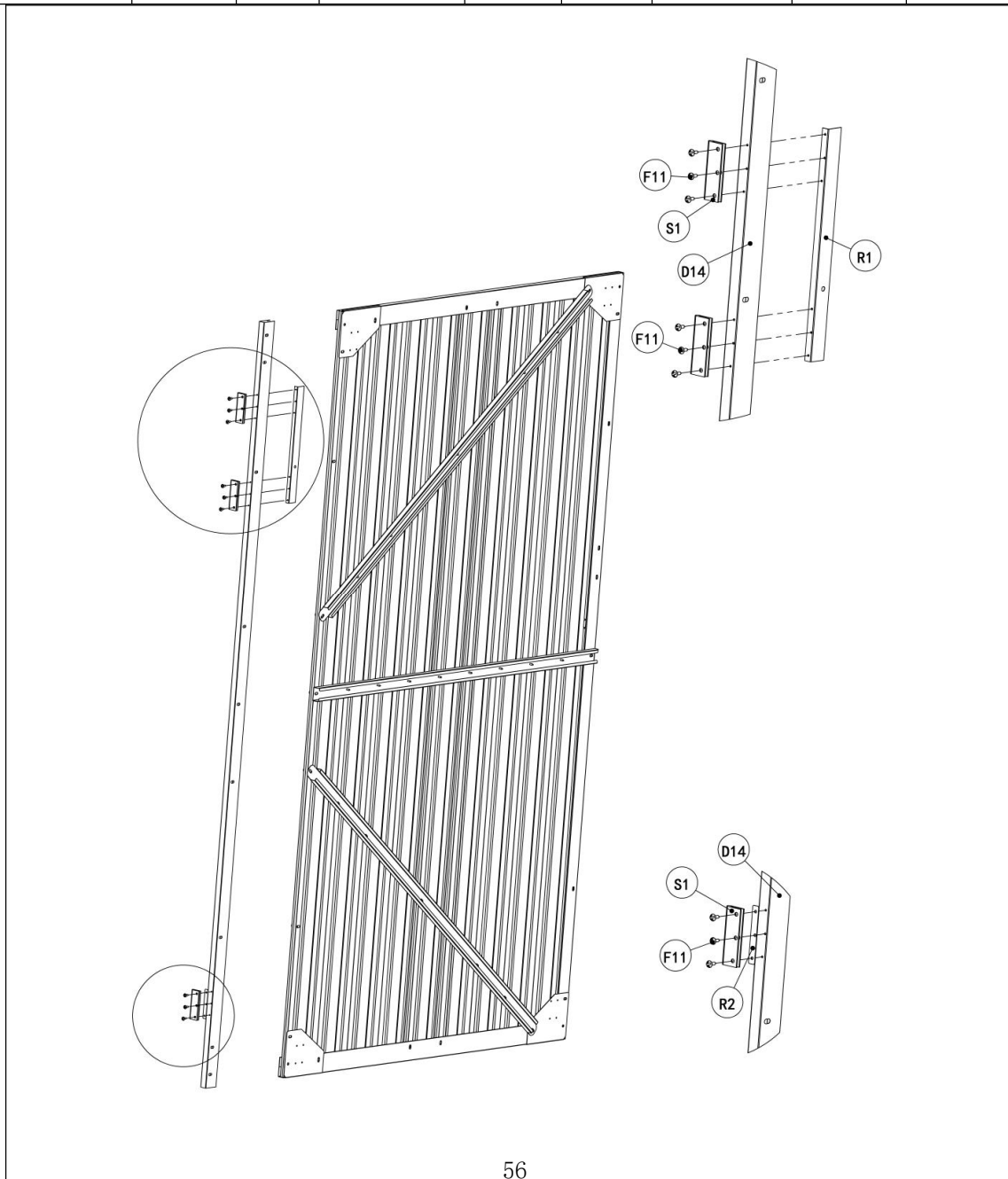
When the ground is uneven or door inclined. Put R2 outside to adjust.

### Right Door

1. When the hinge can not lock tightly. First remove the F11 screw on the D14 on the right door, and then put R1 inside of D14 and lock with S1 and F11. Then install D14 on the door.

2. When the ground is uneven or door inclined. Put R2 outside of D14 and lock with S1 and F11. According to the gap of the door to determine the required QTY of R2.

Part	No	Qty	Part	No	Qty	Part	No	Qty
	R1	1		L1	1		R2	4





## Left Door

1. When the hinge can not lock tightly. First remove the F11 screw on the D6 on the left door, and then put L1 inside of D6 and lock with S1 and F11. Then install D6 on the door.

2. When the ground is uneven or door inclined. Put R2 outside of D6 and lock with S1 and F11. According to the gap of the door to determine the required QTY of R2.

