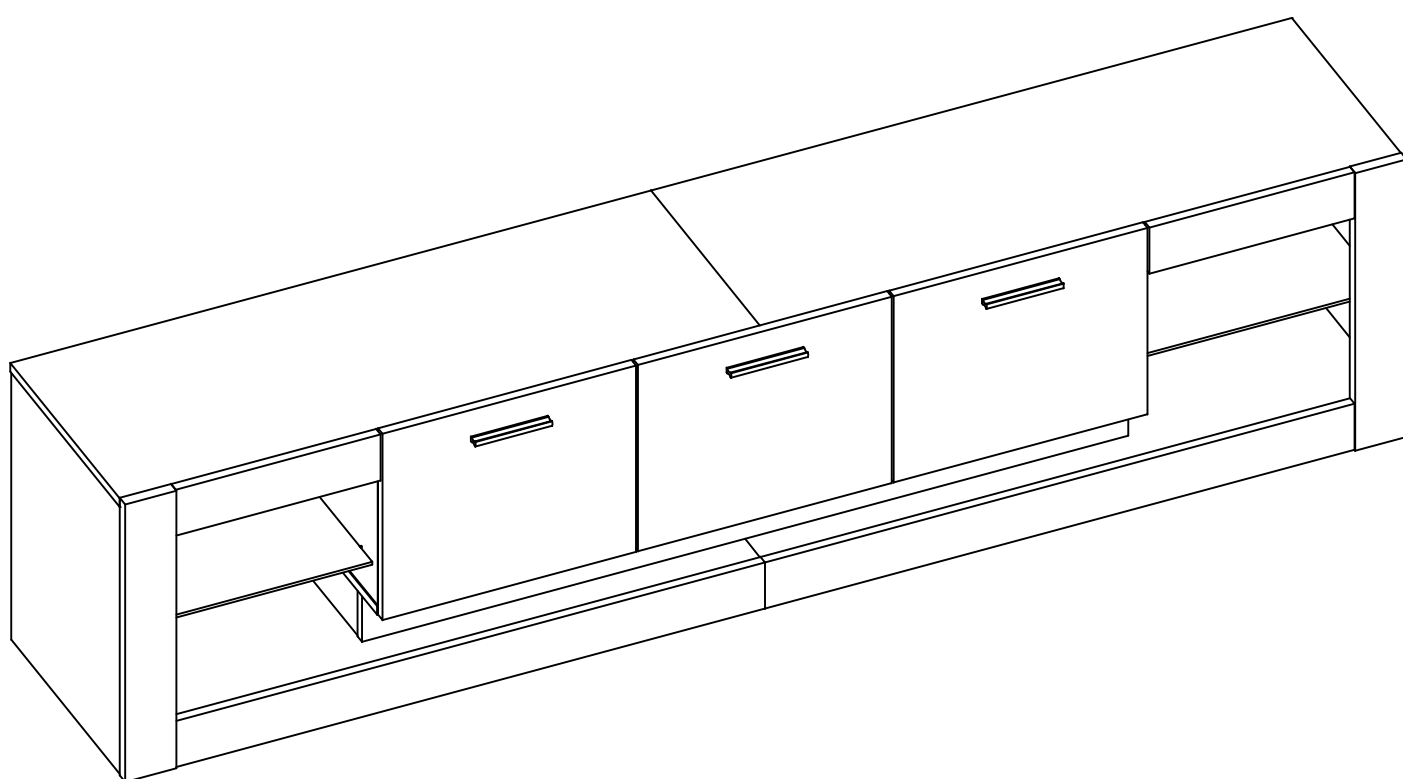


TV STAND

USER MANUAL



SAVE THESE INSTRUCTIONS FOR FUTURE USE

PLEASE DO NOT RETURN TO STORE



**Please do not return this product to the retailer!!We
are able to assist you in ANY way**

If you find that you have any trouble with assembly or missing
or damaged parts please contact the seller.

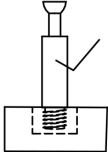
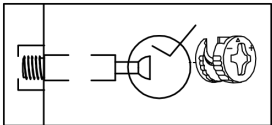
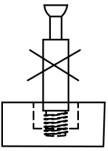
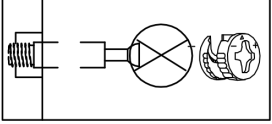
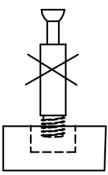
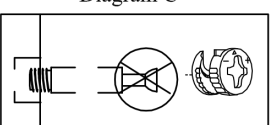
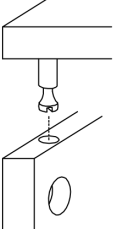
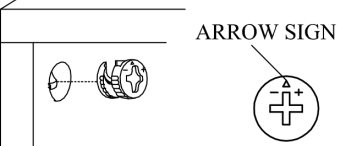
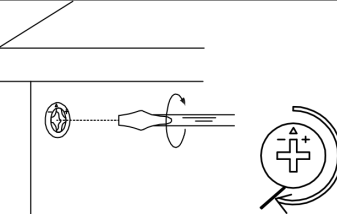
Before Installation

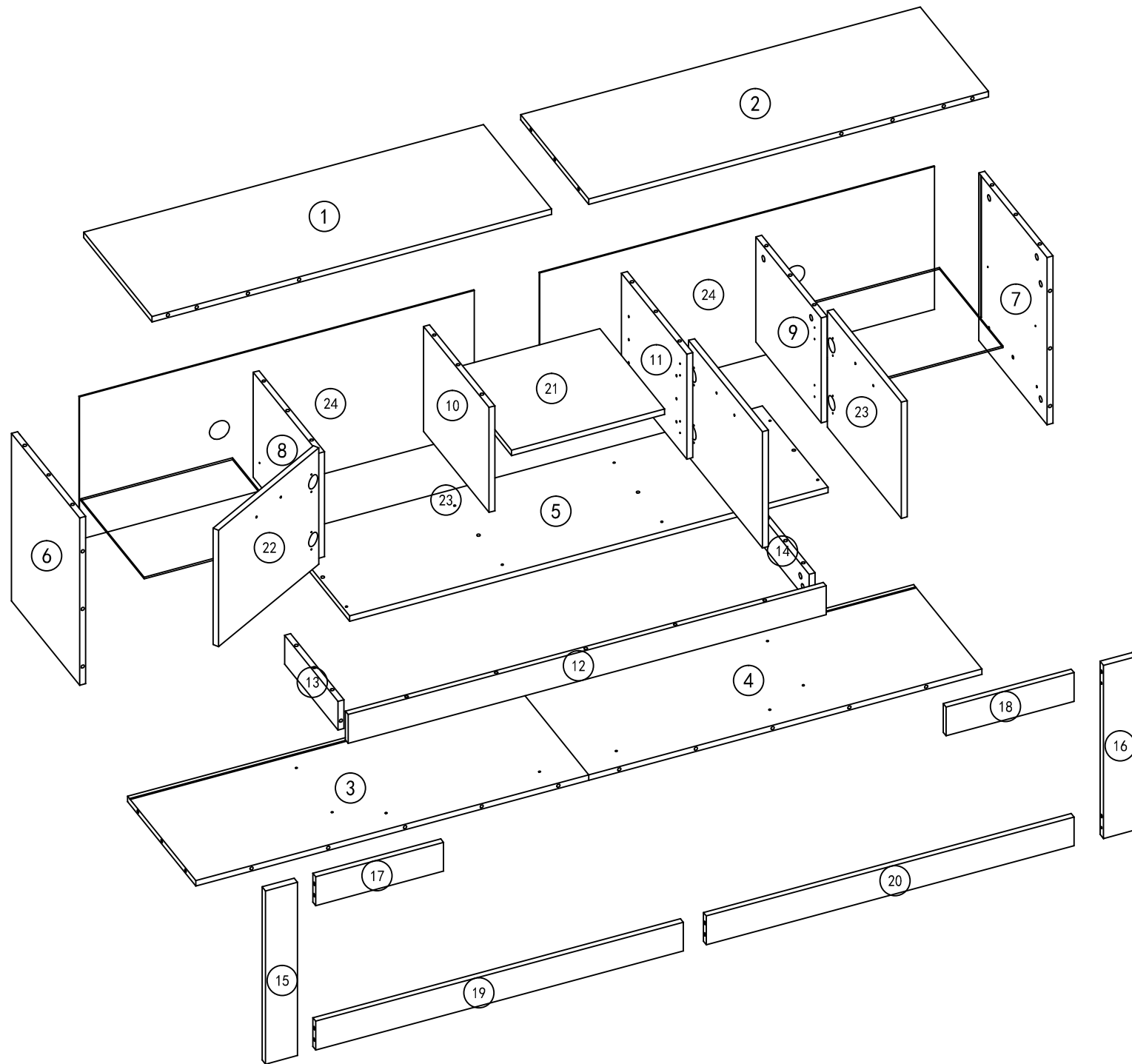
Important – Please read these instructions fully before starting assembly

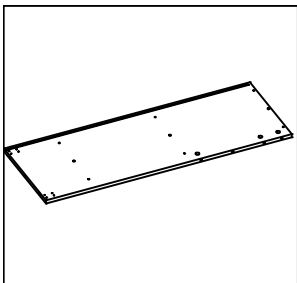
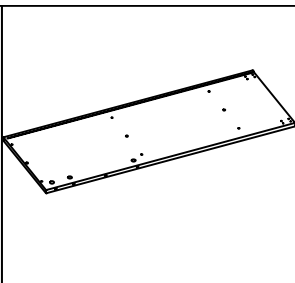
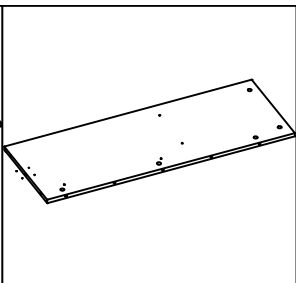
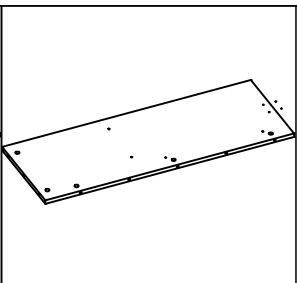
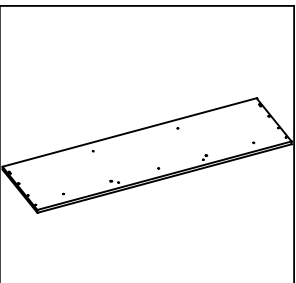
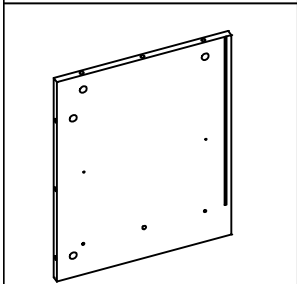
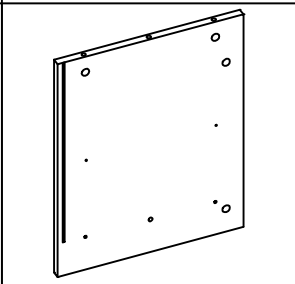
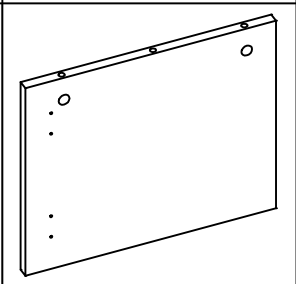
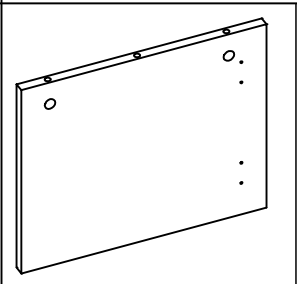
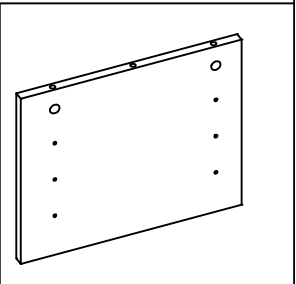
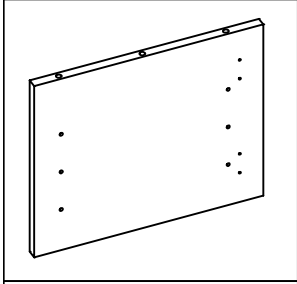
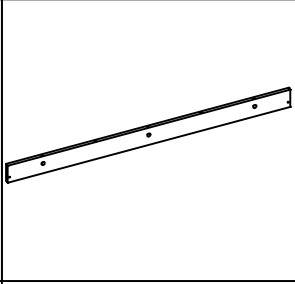
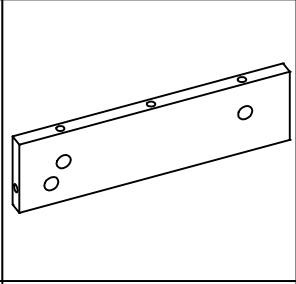
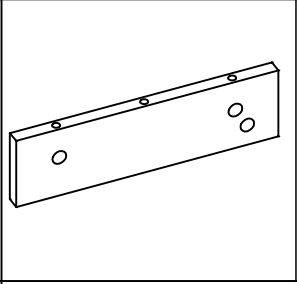
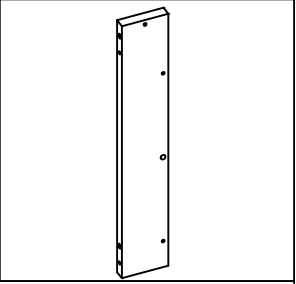
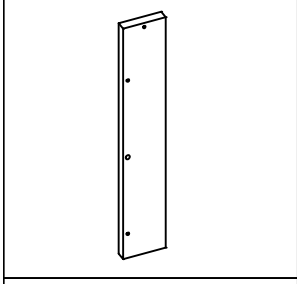
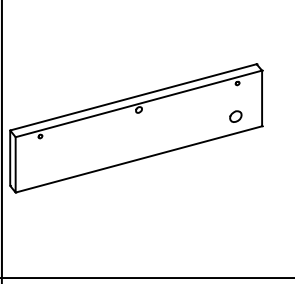
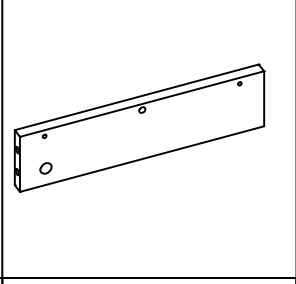
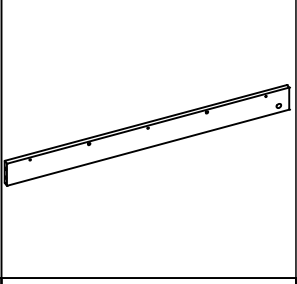
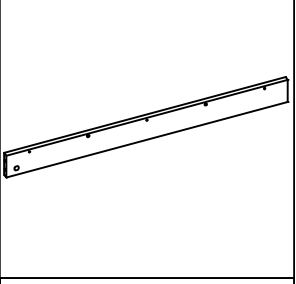
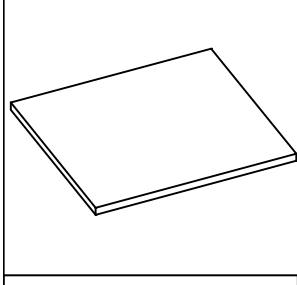
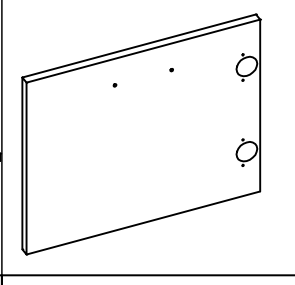
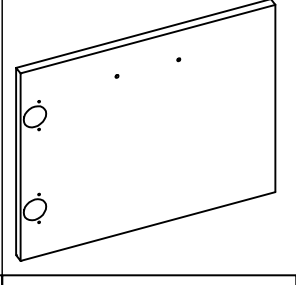
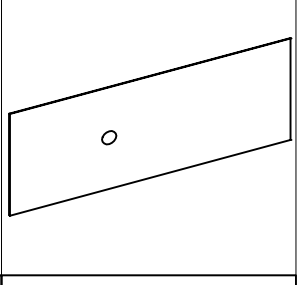
Thank you for purchasing this quality product. Be sure to check all packing materials carefully for small parts, which may have come loose inside the carton during shipment. Identify and count all items according to the PARTS LIST and/or HARDWARE LIST shown below. Check you have all the components and tools listed on the following pages.

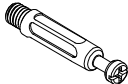
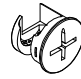
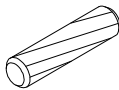
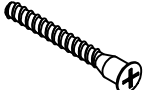
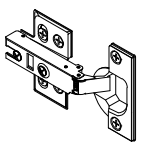
- We recommend that you assemble this product with the assistance of another person; this will make the assembly easier, and will help eliminate damage to the product or injury to persons during assembly.
- Please do not over tighten screws or bolts until the assembly is completed.
- Keep children and animal away from the work area, small parts could choke if swallowed.
- Please put all parts on a non-abrasive floor before assembly, and follow the assembly steps to assemble your newly purchased product correctly and efficiently.

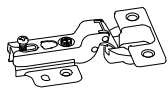
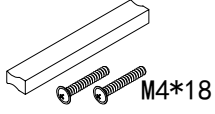
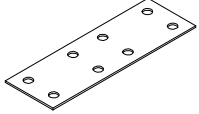

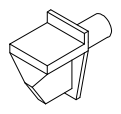
Cam Lock Assembly Instructions

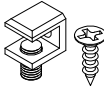
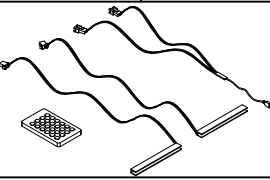
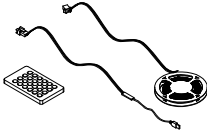
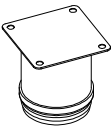
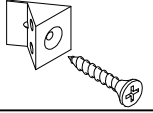
		Diagram A Insert Cam Bolt into hole as shown in diagram A.
		Diagram B Make sure not to insert the Cam Bolt: Too deep as shown in figure B as this will cause the Cam Lock to be misaligned and unable to interlock properly.
		Diagram C Also avoid inserting the Cam Bolt too close to the surface of the hole as shown in figure C, as this will cause the Cam Lock to be too loose, and not interlock properly.
		Connect the panels together.
	ARROW SIGN	Insert the Cam Lock so the side opening fits over the head of the Cam Bolt.
		To tighten the Cam Lock, turn it clockwise on half a turn with a flat screwdriver. <i>*Do not use an automatic screwdriver as it may bend or break if too much power is imposed.</i>

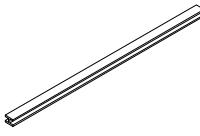



				
① × 1PC	② × 1PC	③ × 1PC	④ × 1PC	⑤ × 1PC
				
⑥ × 1PC	⑦ × 1PC	⑧ × 1PC	⑨ × 1PC	⑩ × 1PC
				
⑪ × 1PC	⑫ × 1PC	⑬ × 1PC	⑭ × 1PC	⑮ × 1PC
				
⑯ × 1PC	⑰ × 1PC	⑱ × 1PC	⑲ × 1PC	⑳ × 1PC
				
㉑ × 1PC	㉒ × 1PC	㉓ × 2PCS	㉔ × 2PCS	


A	×45	B	×45	C	×36	D	×16	E	×4
									
Φ 6*40		Φ 15*11		Φ 8*40		M5*40			

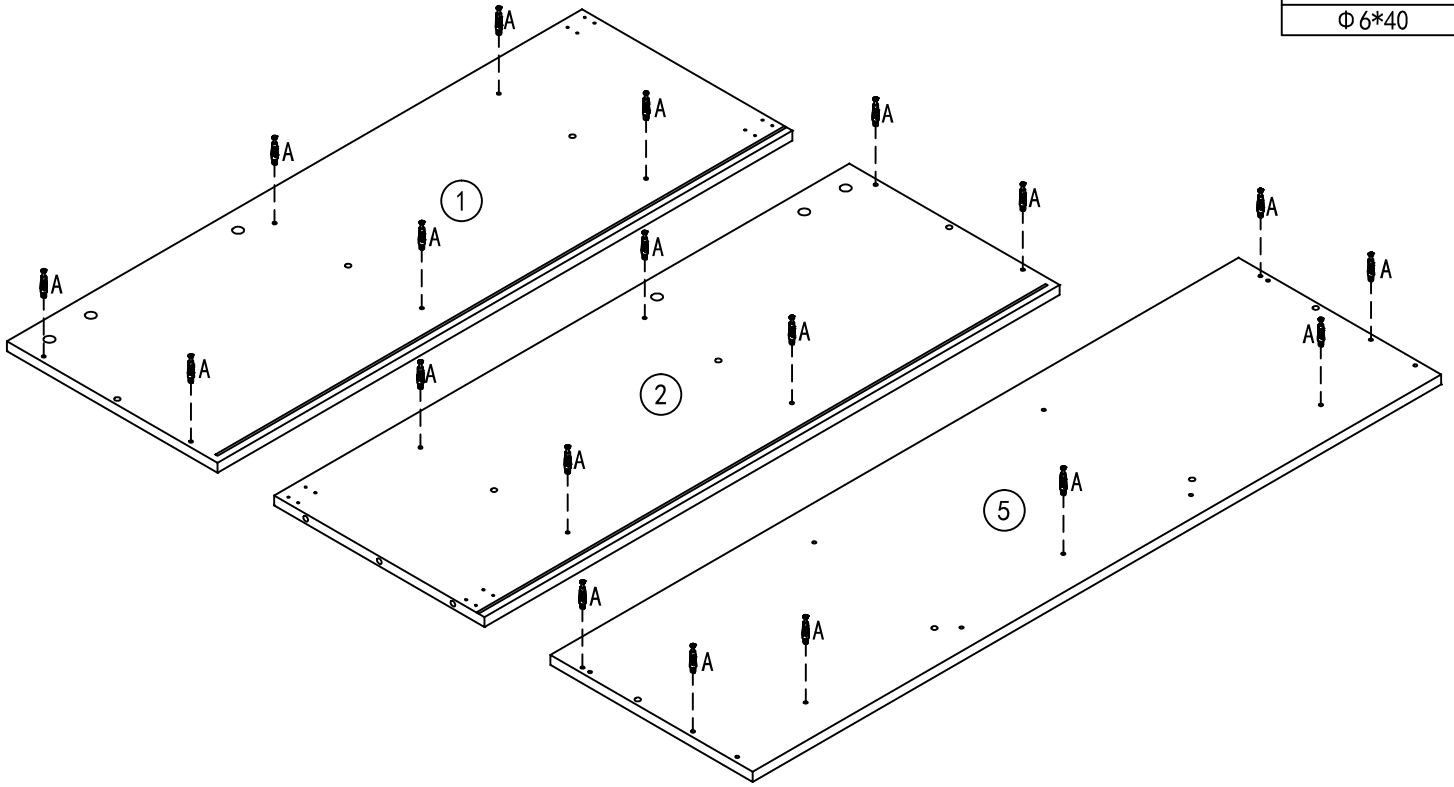
F	×2	G	×3	H	×2	J	×56	K	×4
									
						M3.5*14			

L	×8	M	×1	N	×1	O	×1	P	×12
									

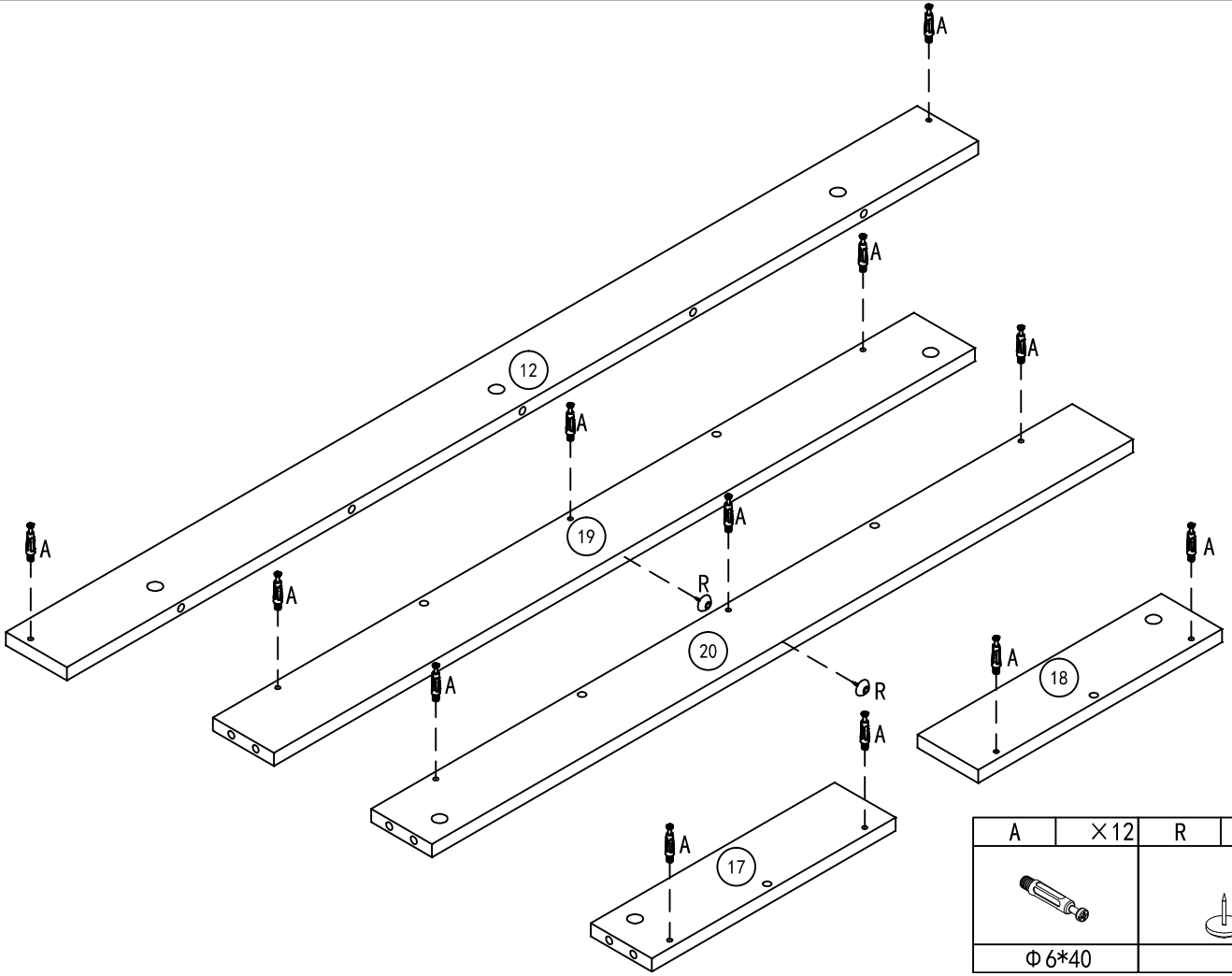
Q	×1	R	×8
			
L=385mm			


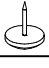
1

A	×19
	
Φ6*40	

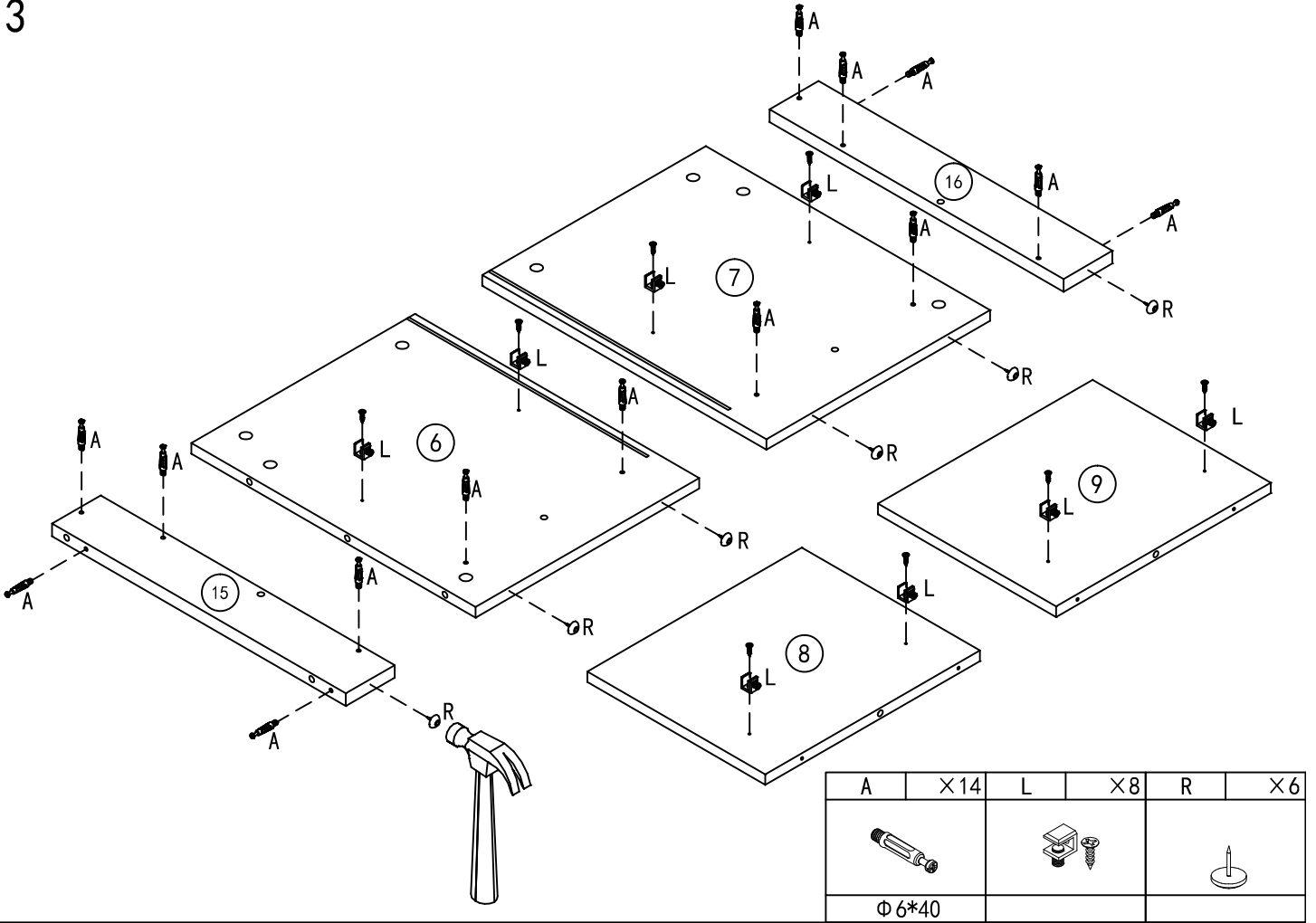


2

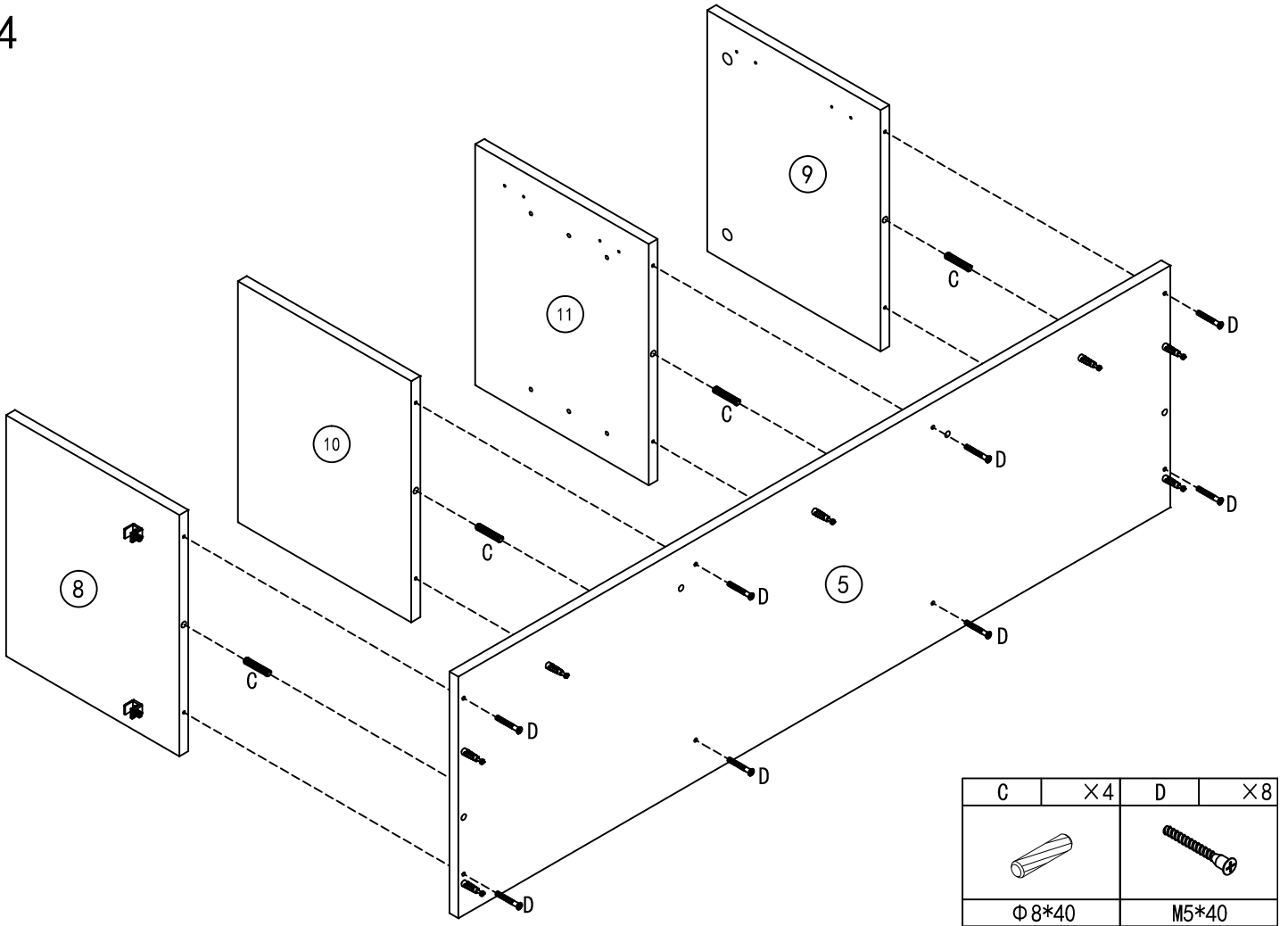


A	×12	R	×2
			
Φ6*40			

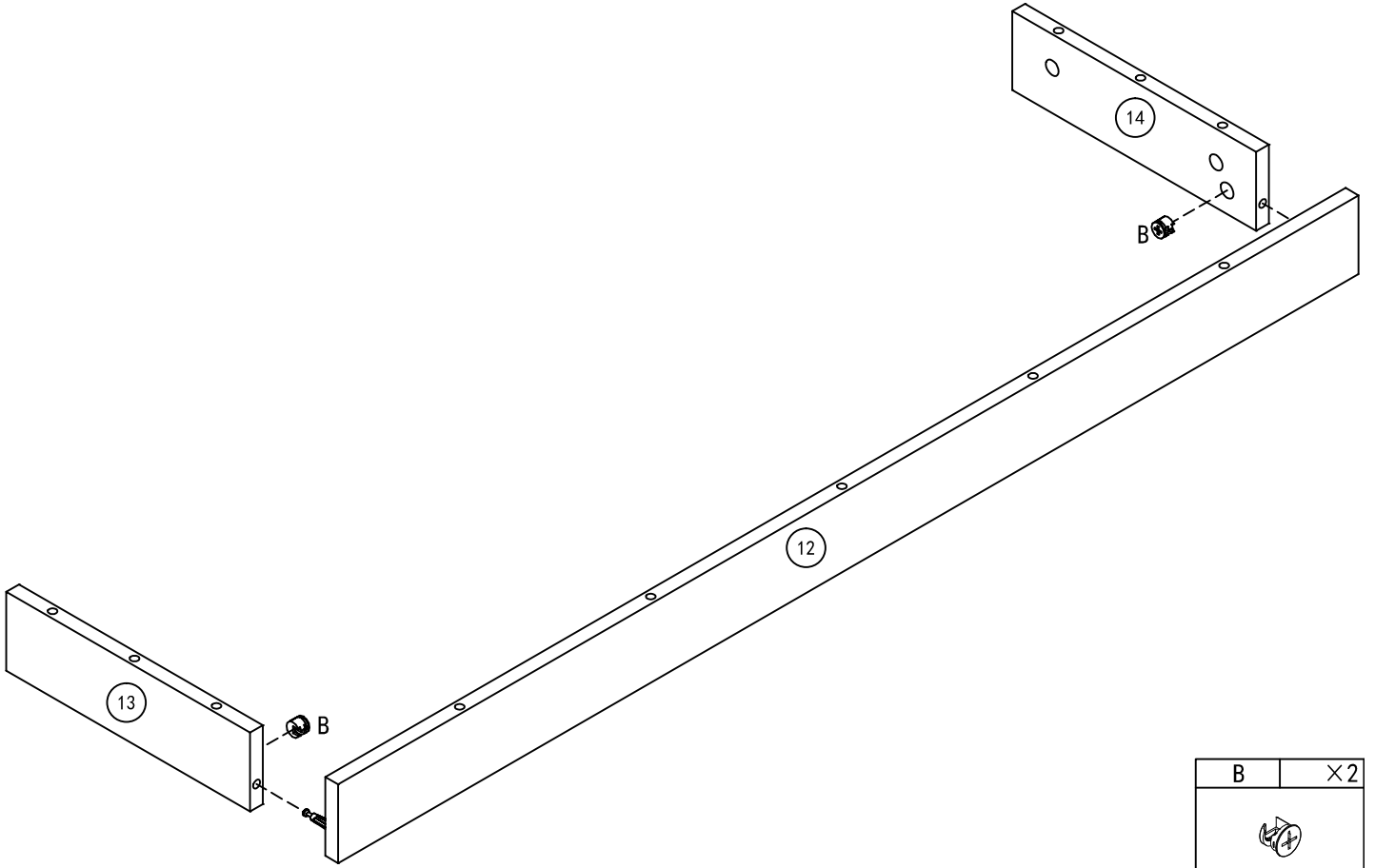
3



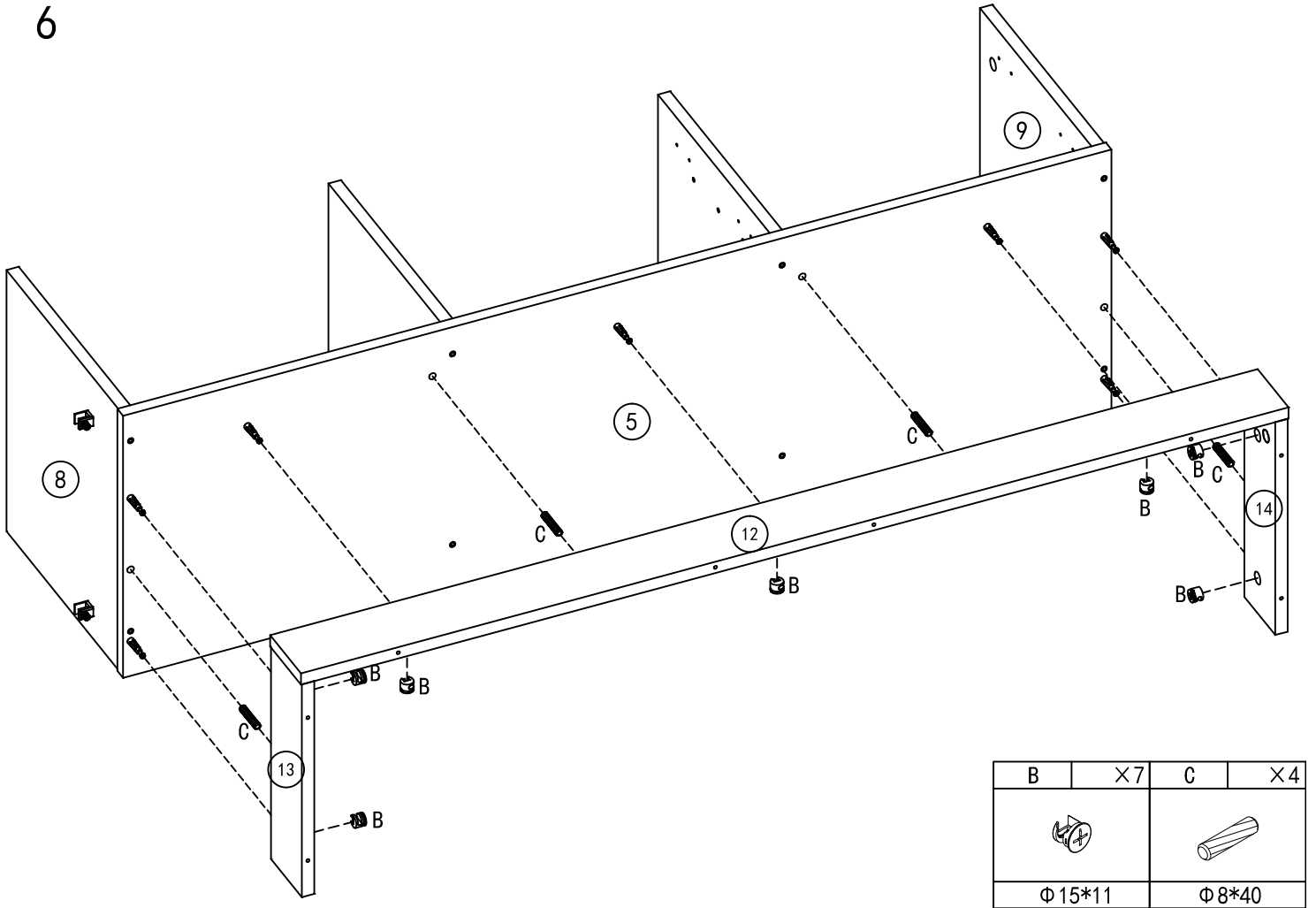
4



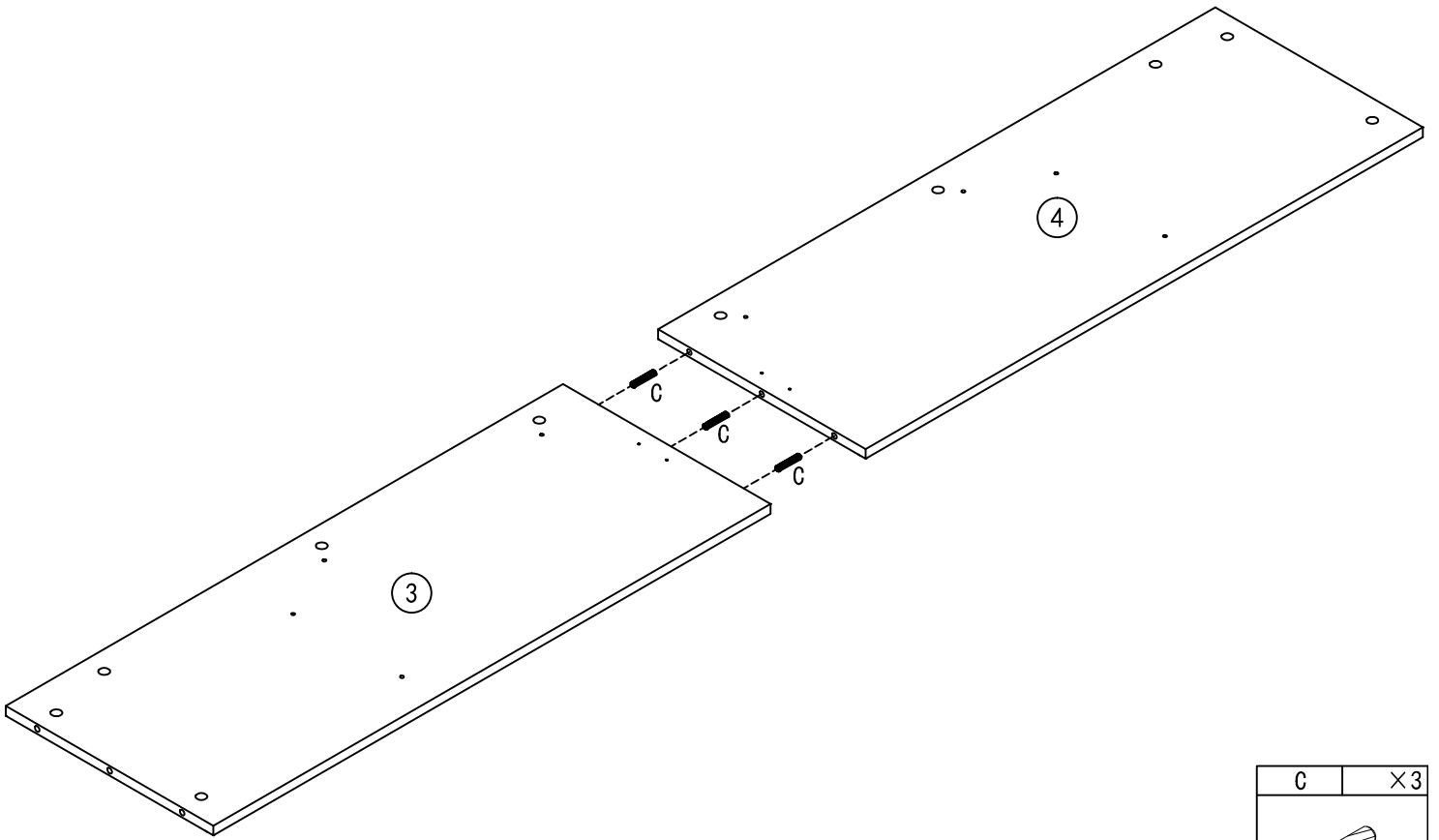
5

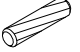


6

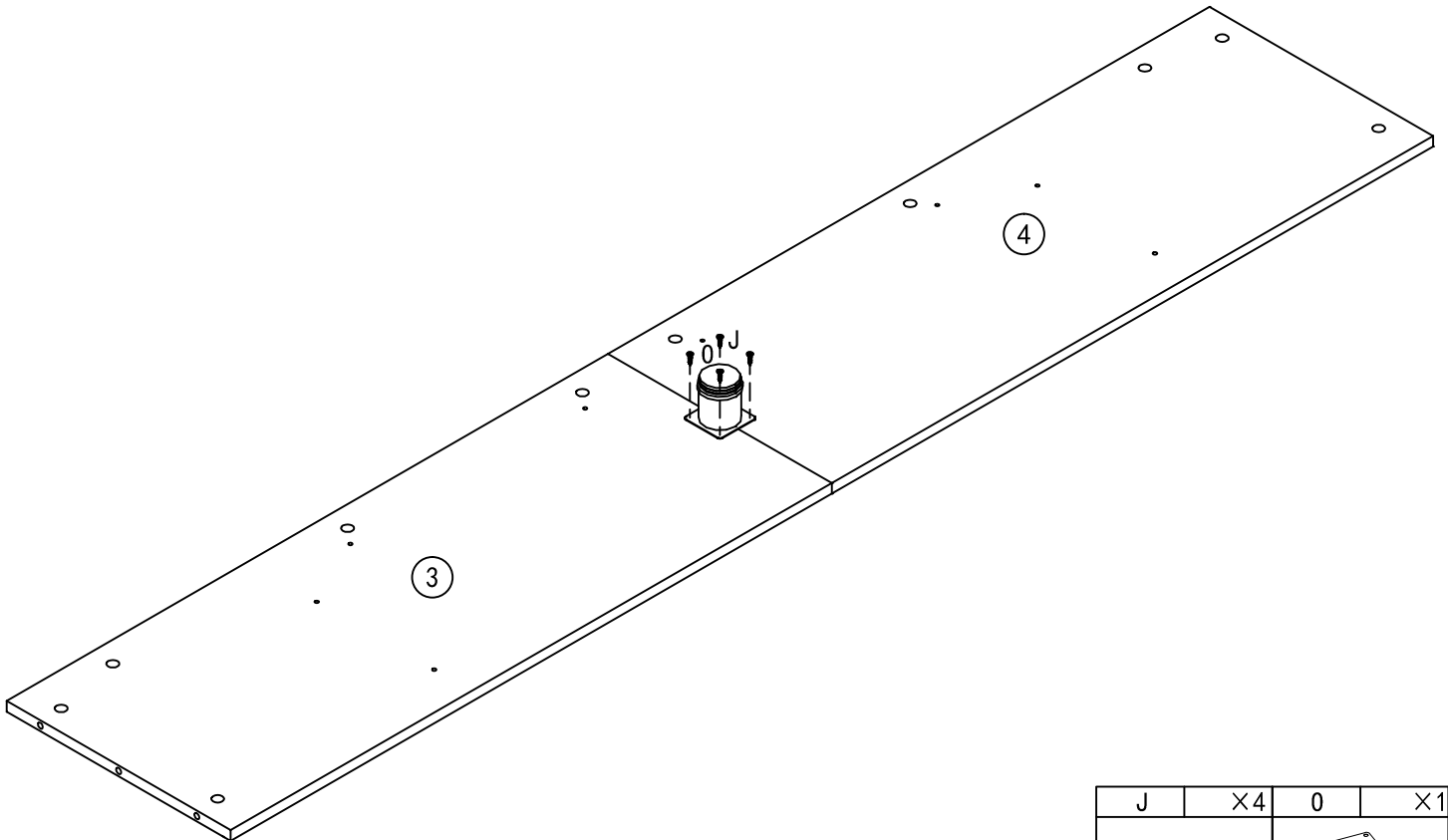




7



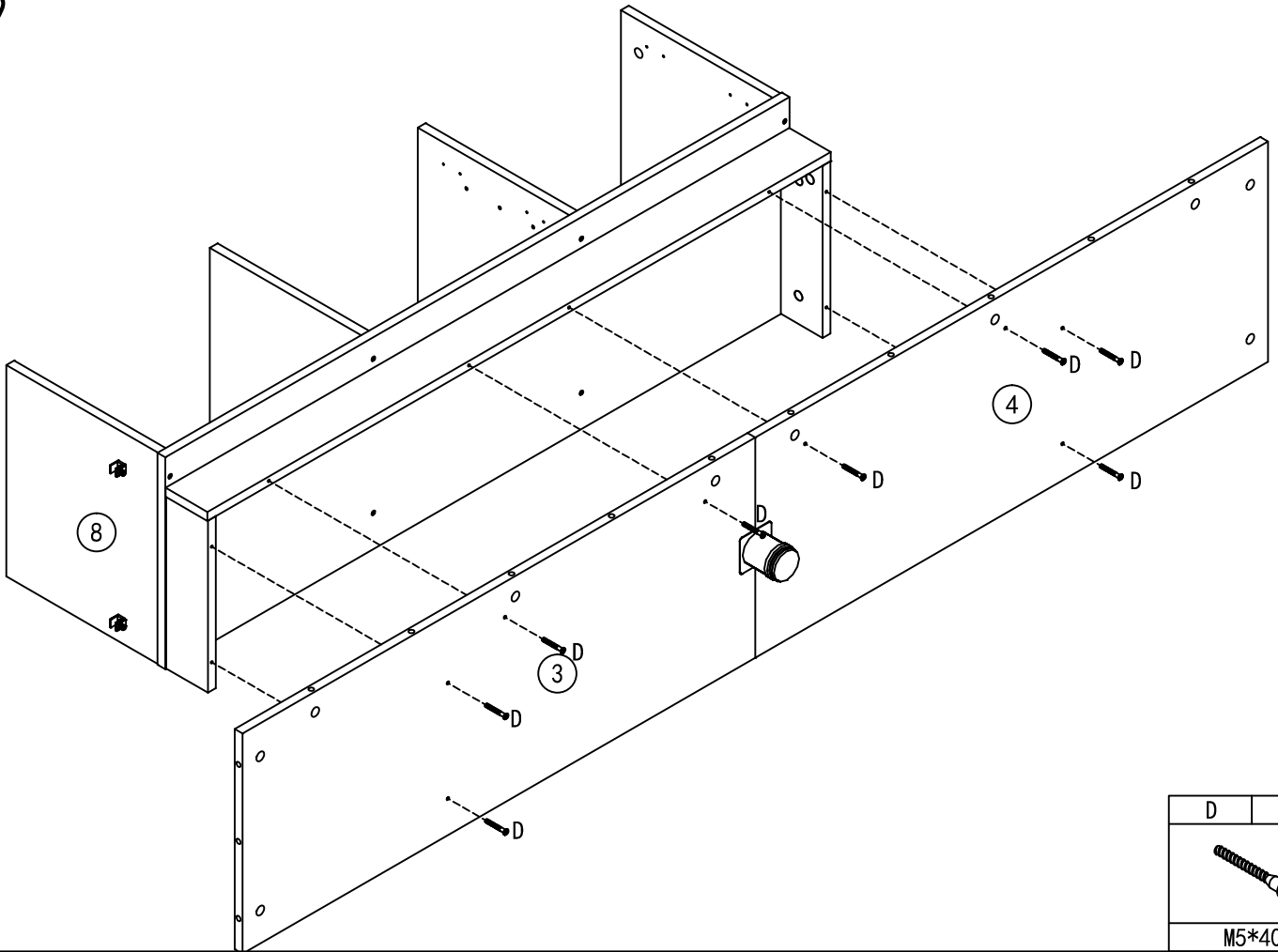
C	×3
	
Φ8*40	


8



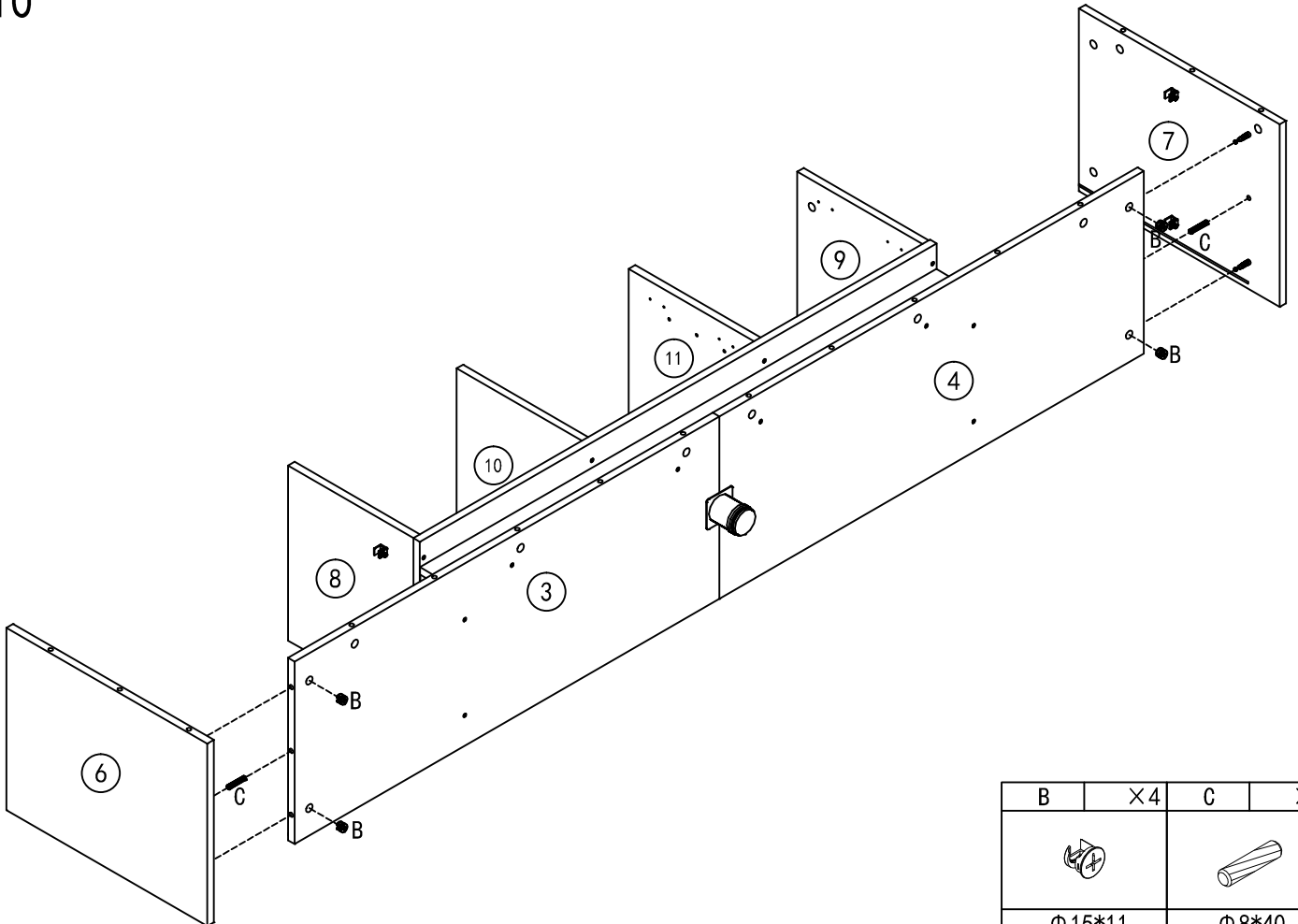
J	×4	O	×1
			
M3.5*14			


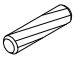
9



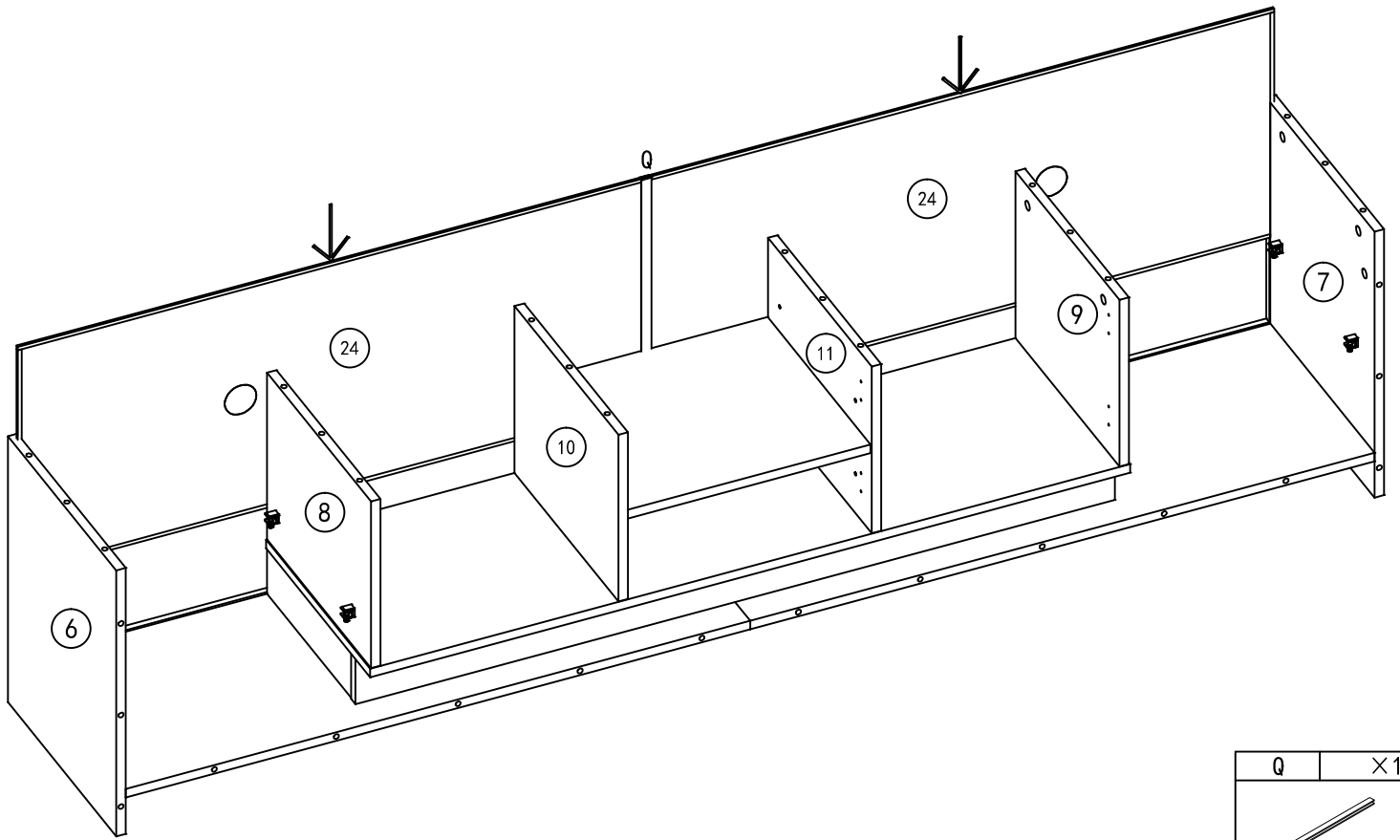
D	×8
	
M5*40	


10



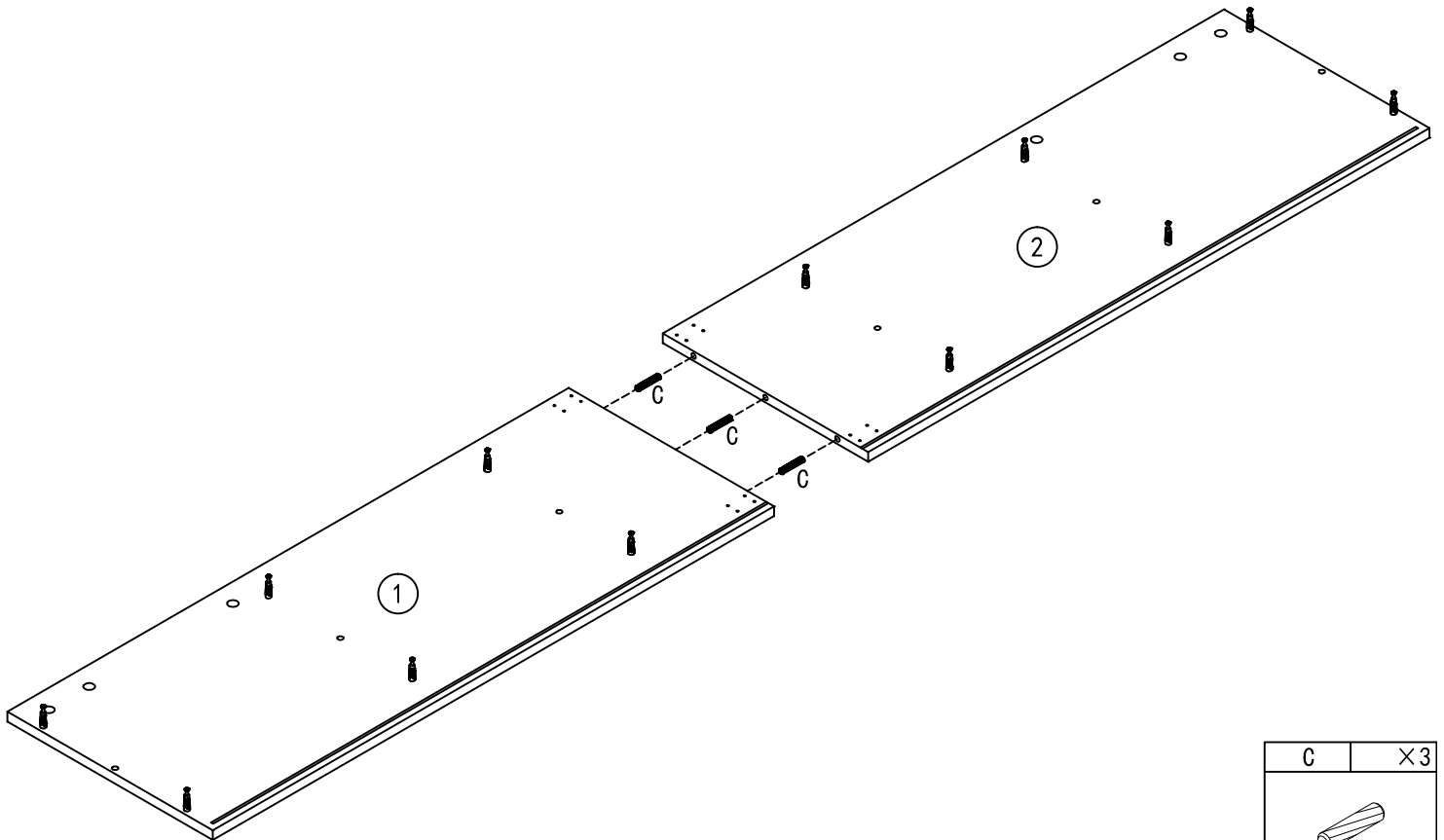
B	×4	C	×2
			
Φ15*11		Φ8*40	

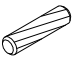
11



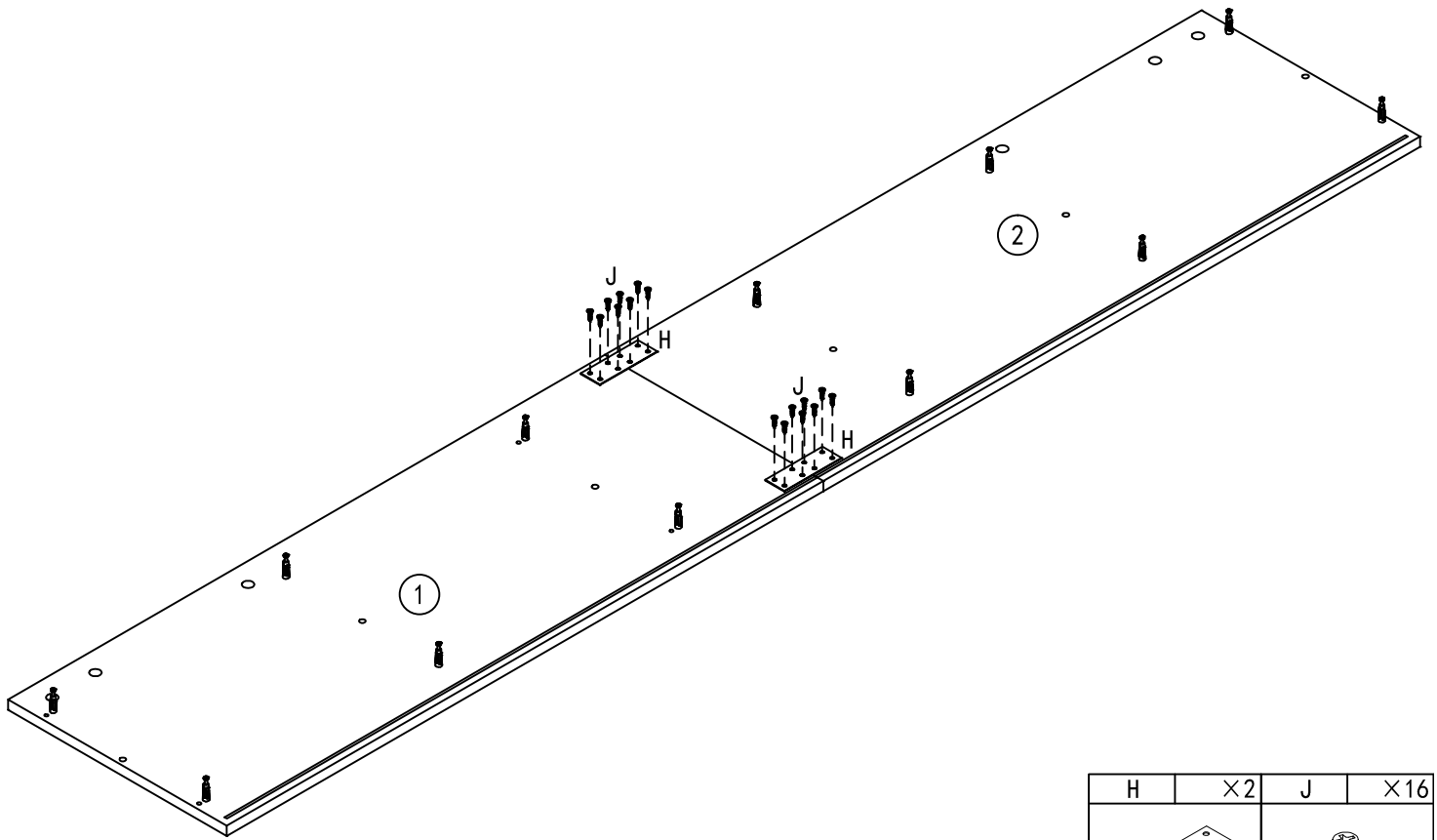
Q	x1
	
L=385mm	

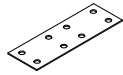

12



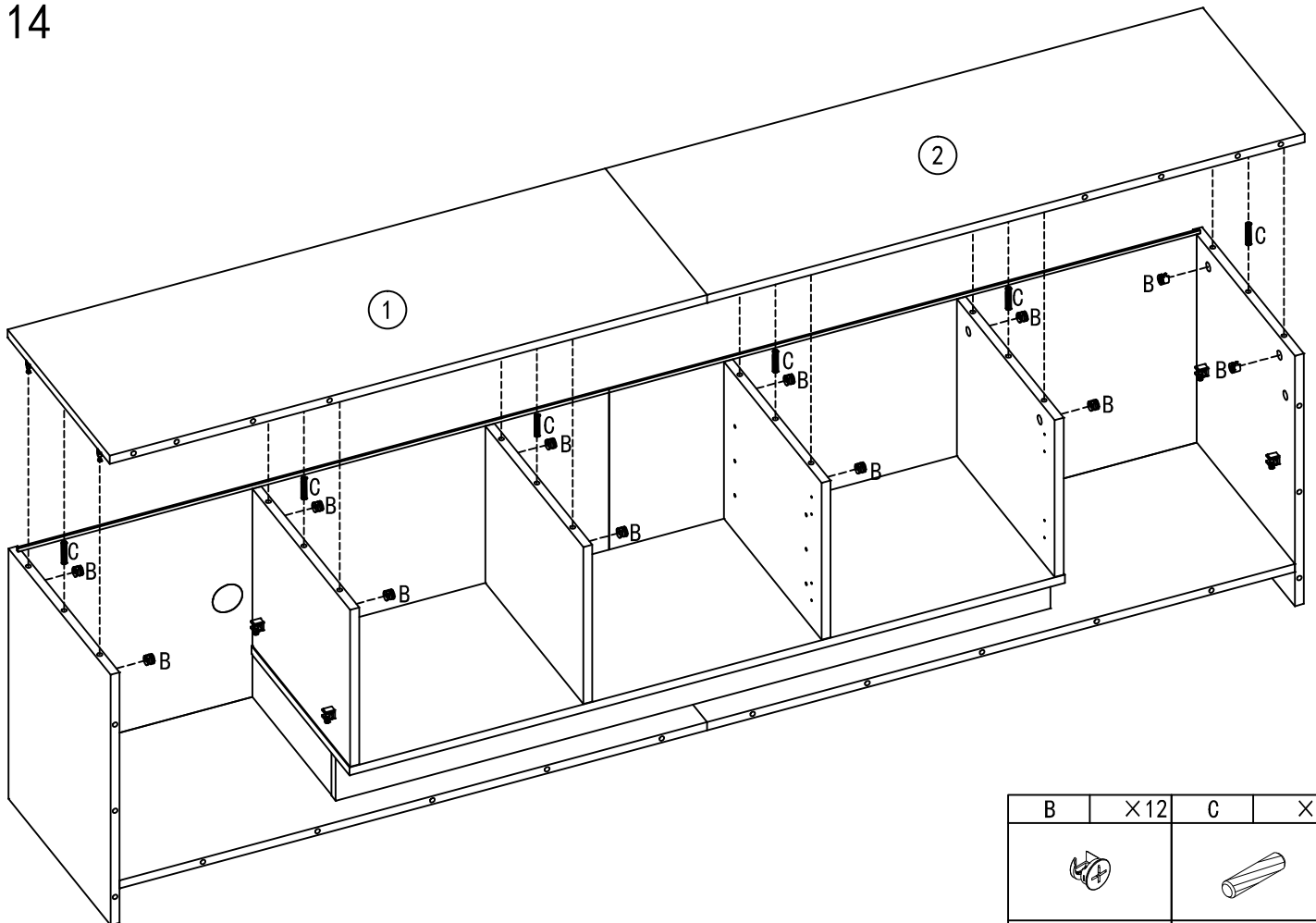
C	x3
	
Φ8*40	


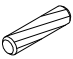
13



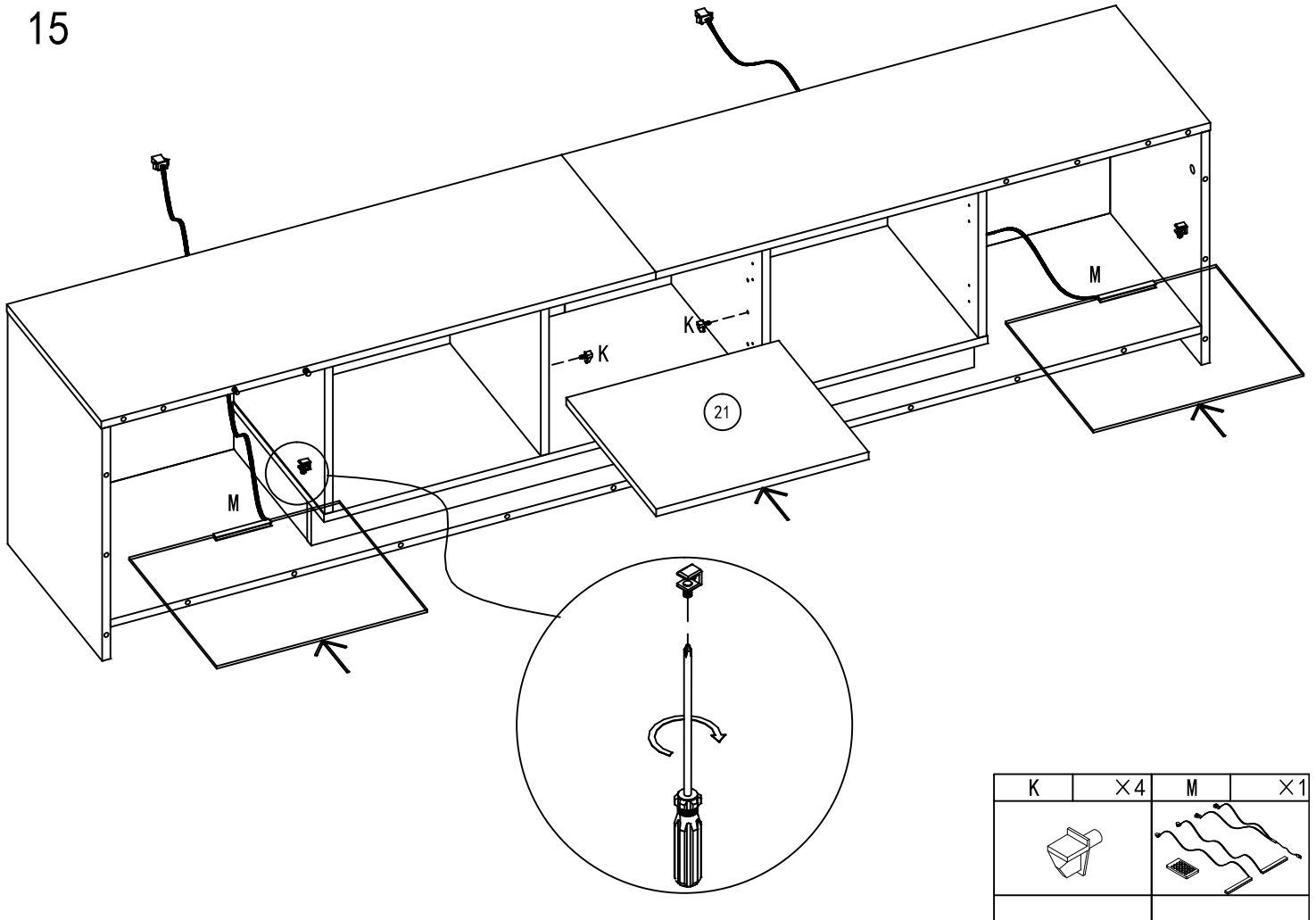
H	×2	J	×16
			
M3.5*14			

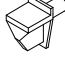
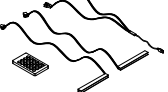
14



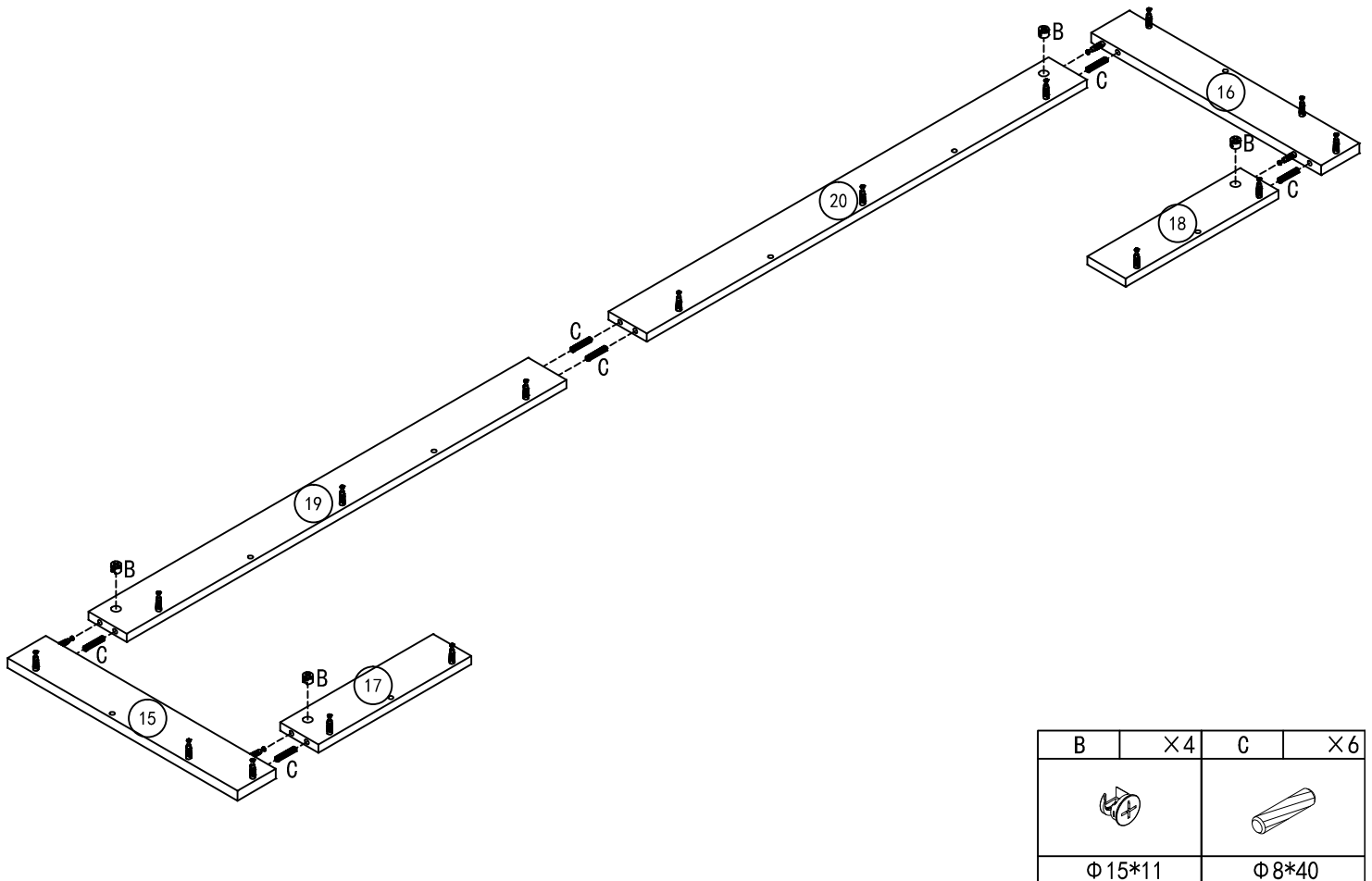
B	×12	C	×6
			
Φ15*11		Φ8*40	


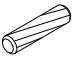
15



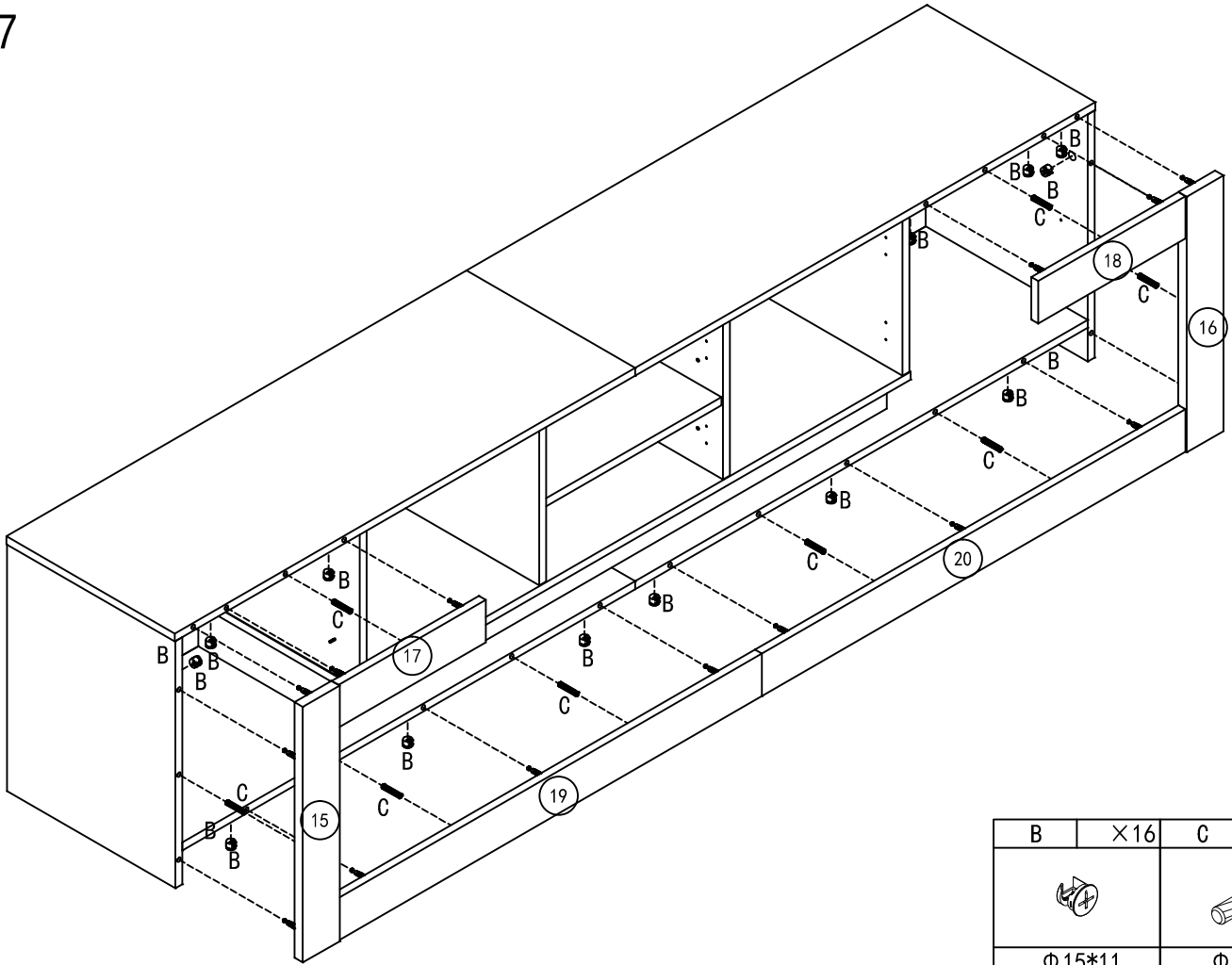
K	×4	M	×1
			

16

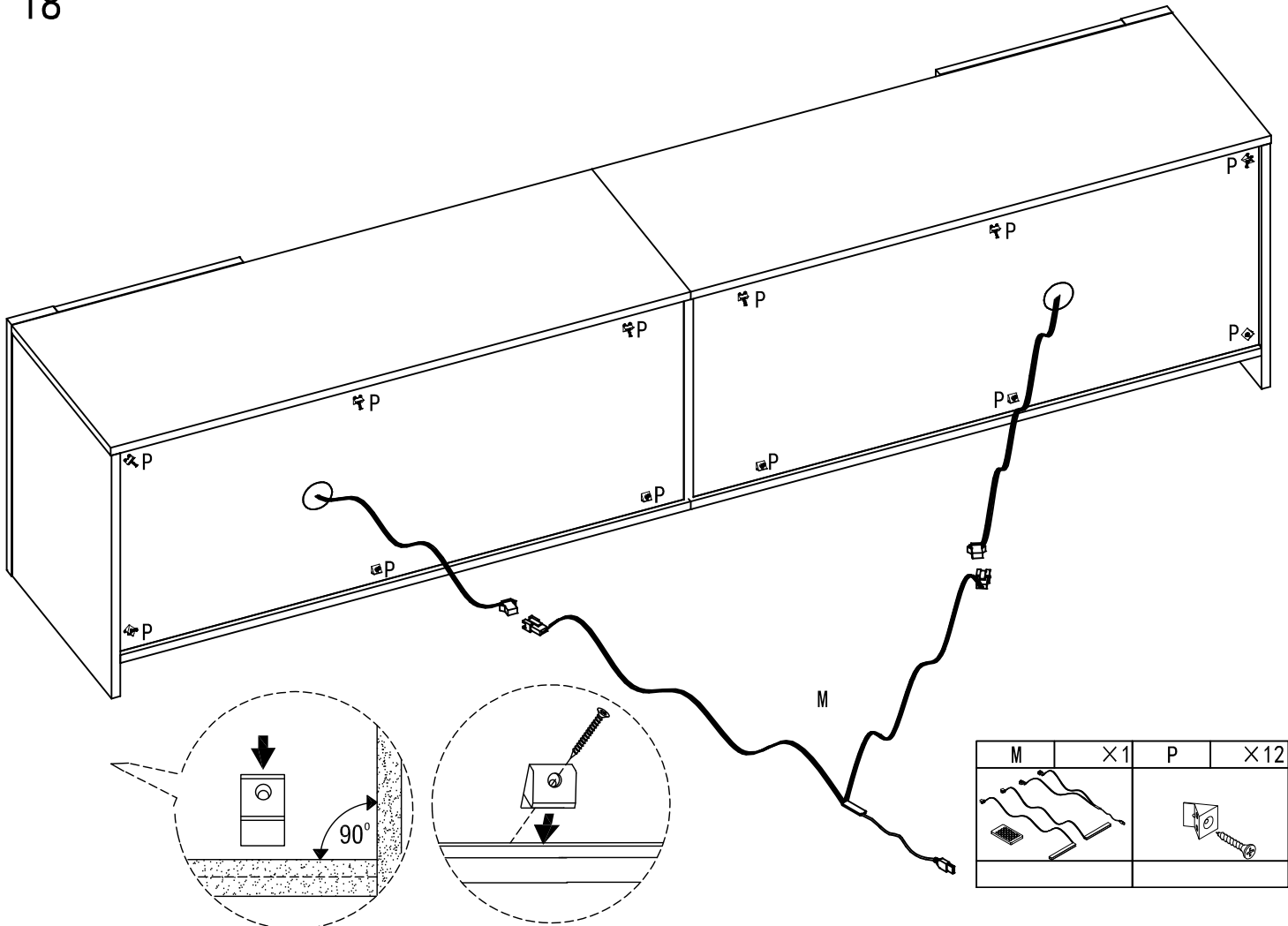


B	×4	C	×6
			
Φ15*11		Φ8*40	

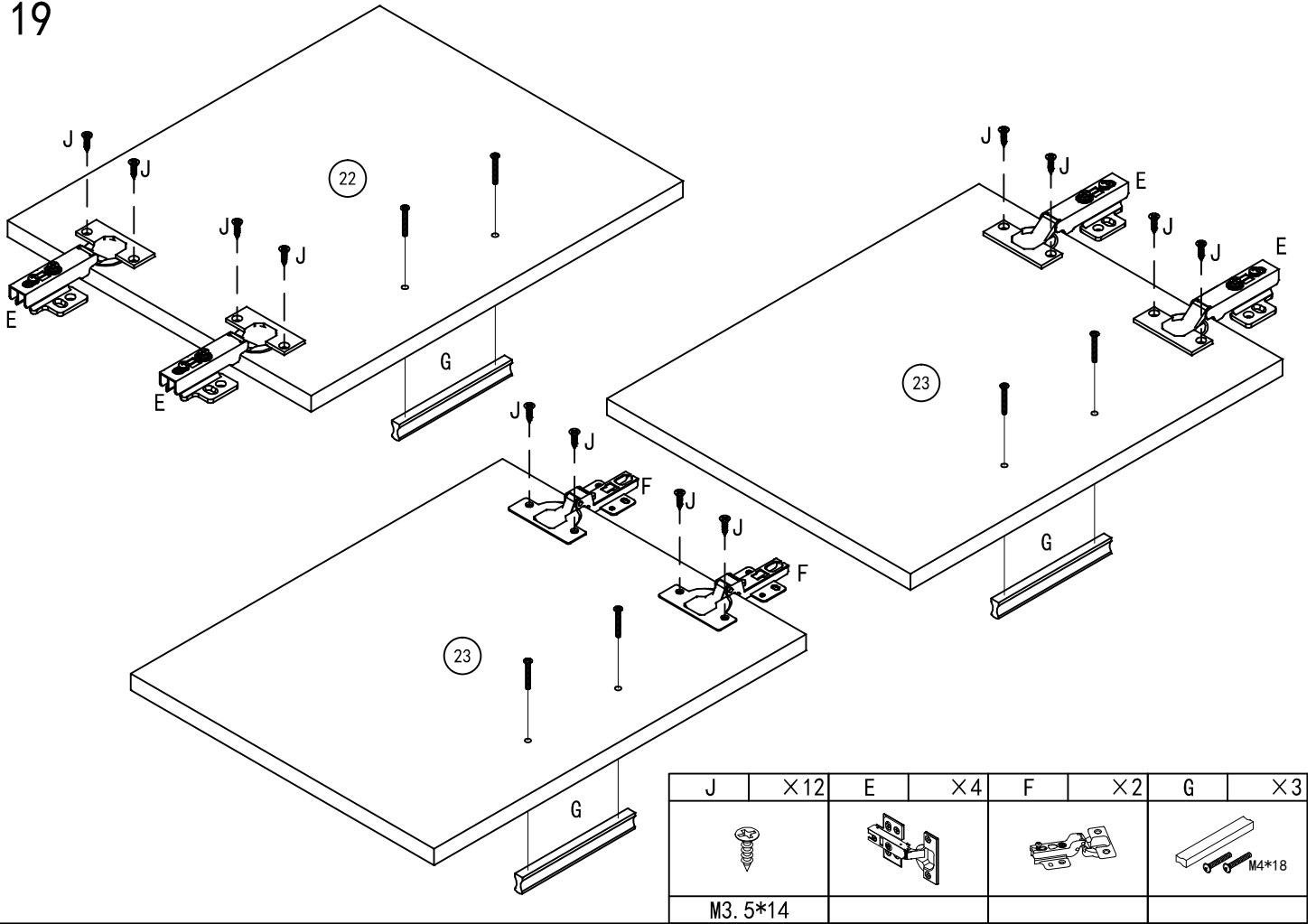
17



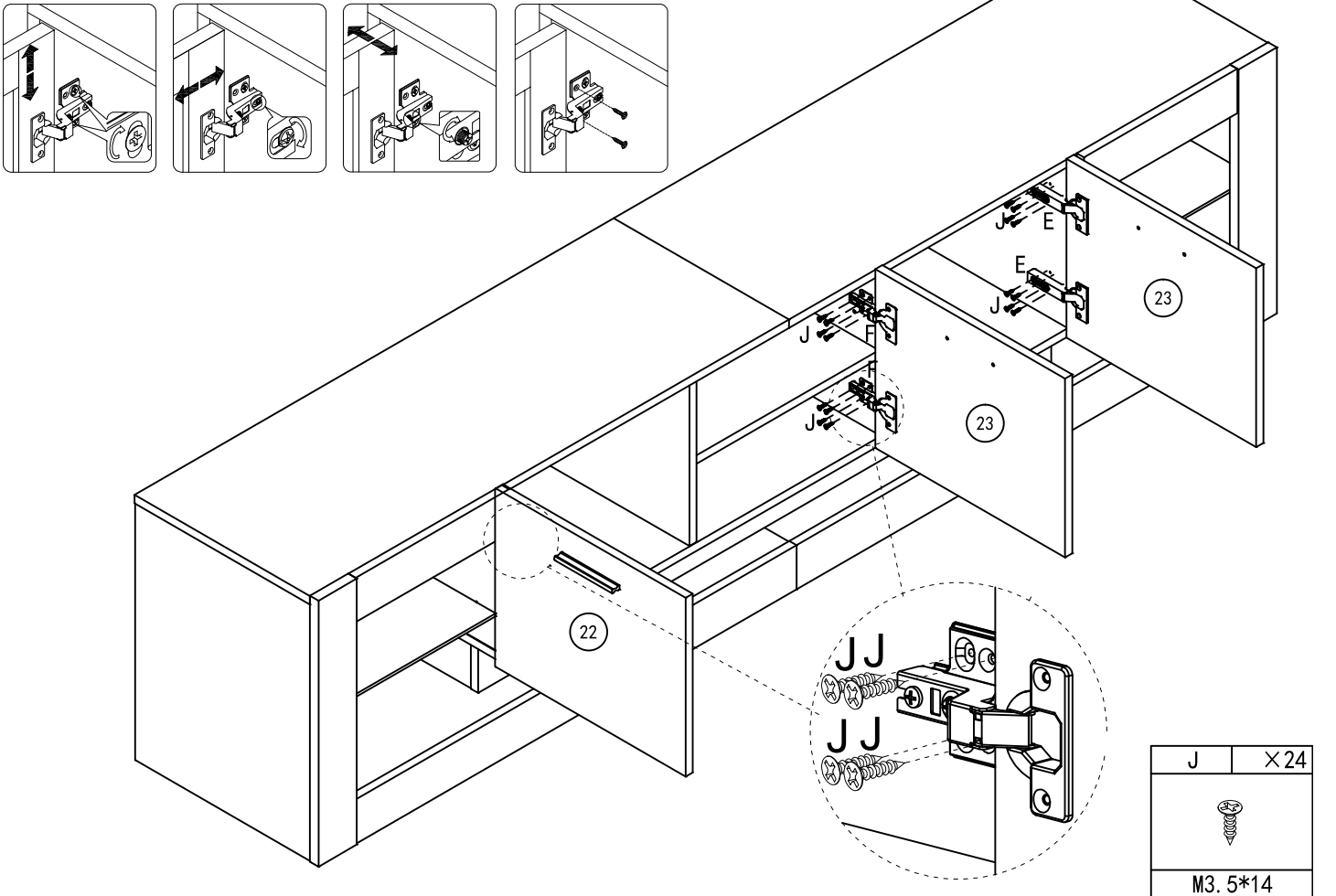
18

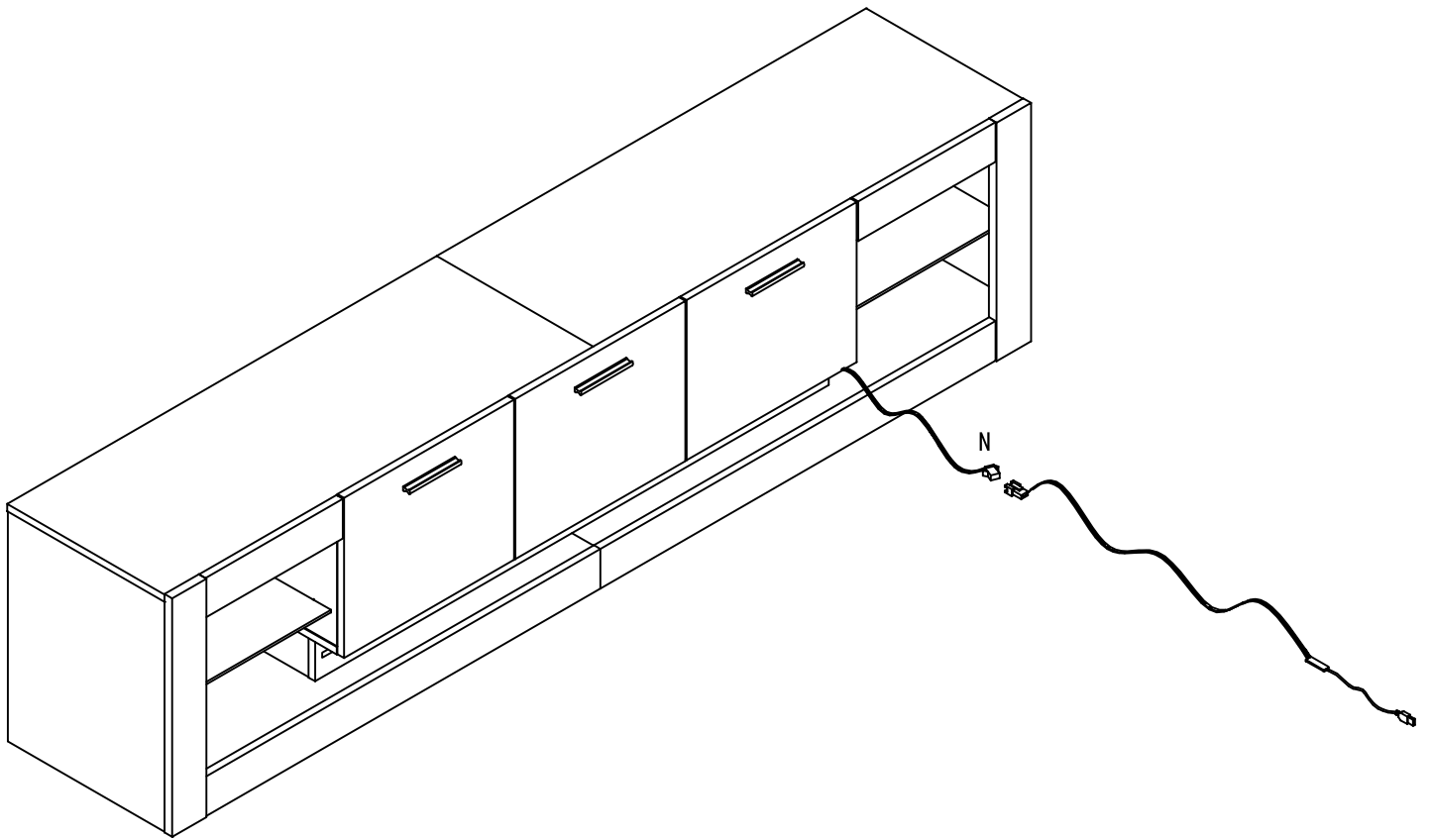
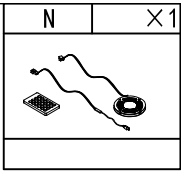


19

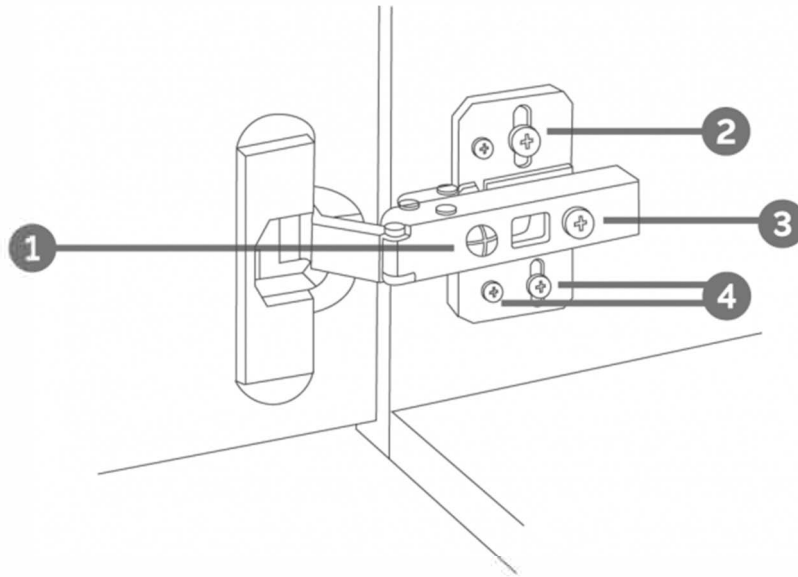


20



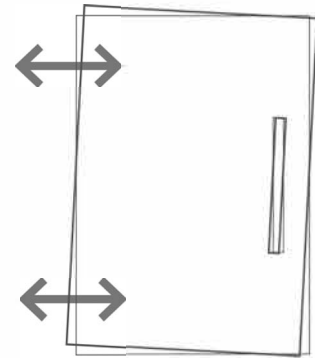


HINGE ADJUSTMENTS



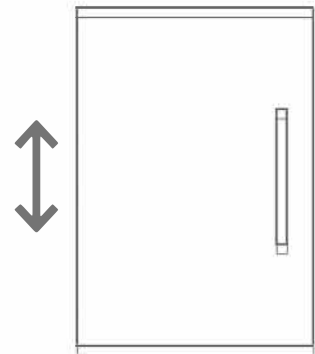
1 Sideways / Tilt adjustment

Turn the screw
clockwise to move the door further away from
the side of the cabinet
anticlockwise to move the door closer to the
side of the cabinet



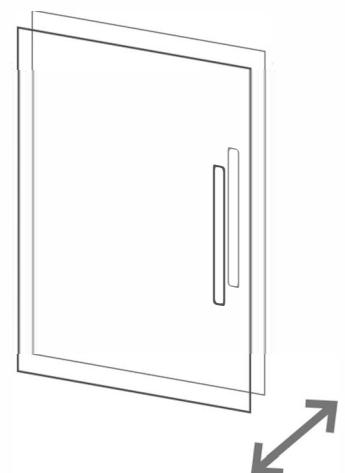
2 4 Height adjustment

While supporting the weight of the door, turn the
screws
clockwise to move the door up
anticlockwise to move the door down



3 Forward and back adjustment

If the gap between the back of the door and the
cabinet is too small, and the door may not close
fully. Turn the screw
clockwise to decrease the gap between the
door and the cabinet
anticlockwise to increase the gap between the
door and the cabinet



RF Wireless Remote
Advanced

RGB LED Controller

Instructions

- 22 Dynamic Modes
- 20 Static Colors
- Very Smooth Effects
- Speed Adjustable
- Brightness Adjustable
- Card Type RF Remote
- Ultra Slim Design
- Dynamic Demo Mode
- Easy Remote Pairing
- Direct Color Select

1. Turn On/Standby

Press this key to turn on unit or switch to standby mode. At power on, unit will automatically turn on and restore to previous status.

2/9. Dynamic Mode Adjust

Switch to dynamic mode from static color, or switch between dynamic modes.

3/10. Dynamic Speed Adjust

Adjust dynamic playing speed. Press SPEED+ to increase speed and press SPEED- to decrease. Unit will switch to dynamic mode if press this key at static color mode.

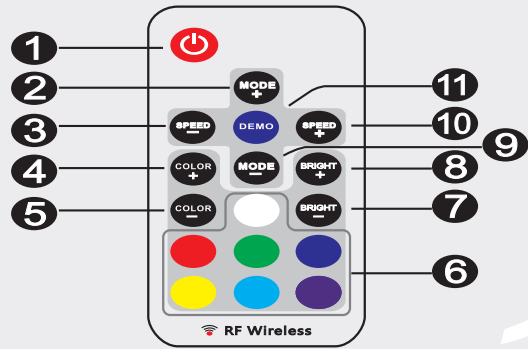
4/5. Static Color Adjust

Adjust to static color mode from dynamic mode, or switch between static colors.

6. Direct Color Select

Shortcut key to static colors. When press the specific color key, LED will play the same static color. The direct colors are included in 'COLOR+' and 'COLOR-' operation.

Functions



1

7/8. Brightness Adjust

Adjust static color brightness. Press BRIGHT+ to increase brightness and press BRIGHT- to decrease. Unit will switch to static color mode if press this key at dynamic mode.

11. Demo Mode

Press this key will switch to Demo mode. At demo mode, it plays 17 dynamic modes in loop, each mode repeat 3 times.

Installing

1. Power Supply

This unit accepts DC 5V to 24V power supply. The DC jack's inner pole (or red cable) is positive and sleeve (or black cable) is negative. Also please make sure the power supply voltage is same as the LED load.

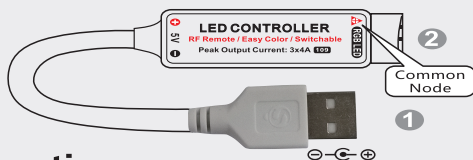
2. LED Output

This unit support common anode connection LED products. The mark 'A' indicates the common connection node.

3

The peak output current is 4 amperes and maximum constant current is 2 amperes per channel. Please reduce load if main unit is overheating.

CAUTION! Do not short circuit or overload the LED outputs, this may lead to permanent damage!



Operation

1. Using Remote Controller

Please pull out the battery insulate tape before using. The RF wireless remote signal can pass through barrier, so it's not necessary to aim at the main unit when operate.

4

2). Press 'ON/OFF' and 'MODE+' key together in 5 seconds after power on.

After this operation, the main unit will recognize any remote controller. To pair the main unit back to specific remote, please repeat the 'Pairing New Remote' operation.

4. Switch Output Color Sequence

The controller's default output signal sequence is Common-Green-Red-Blue. If the LED application is in different cable sequence, the direct color keys will not match the LED color. In this case, user can adjust the output signal sequence with following steps:

- 1). Plug off the power of main unit and plug in after 5 seconds.
- 2). Press 'RED' and 'BLUE' color key together in 5 seconds after power on.

With this operation, the output sequence will switch between 6 possible combinations. The sequence will be memorized and it won't change before next same operation.

6

On / off BRIGHT

For proper receiving remote signal, please do not install the main unit in closed metal parts.

2. Pairing New Remote

The remote and main unit is 1 to 1 paired as default. Further more, main unit can be paired to 3 remote controllers and each remote controller can be paired to any main unit. Please do following steps to pair new remote controller:
1). Plug off the power of main unit and plug in after 5 seconds.
2). Press 'On/off' and 'BRIGHT-' key together in 5 seconds after power on. **On**
After this operation, the main unit will recognize the new remote controller.

3. Free Remote Pairing Mode

In some specific cases; the main unit may need to be paired to any remote controllers. Please do following steps for free remote pairing mode:

- 1). Plug off the power of main unit and plug in after 5 seconds.

5

Specification

Dynamic mode	22 modes
Static Color	20 colors
PWM Grade	256 levels
Brightness Grade	5 levels
Speed Grade	10 levels
Demo mode	Yes
Direct Color Select	Yes
Output Color Switchable	Yes, 6 options
Working Voltage	DC 5~24V
Output Current	3x4A peak, 3x2A constant
Remote frequency	433.92MHz
Remote distance	15m at open area