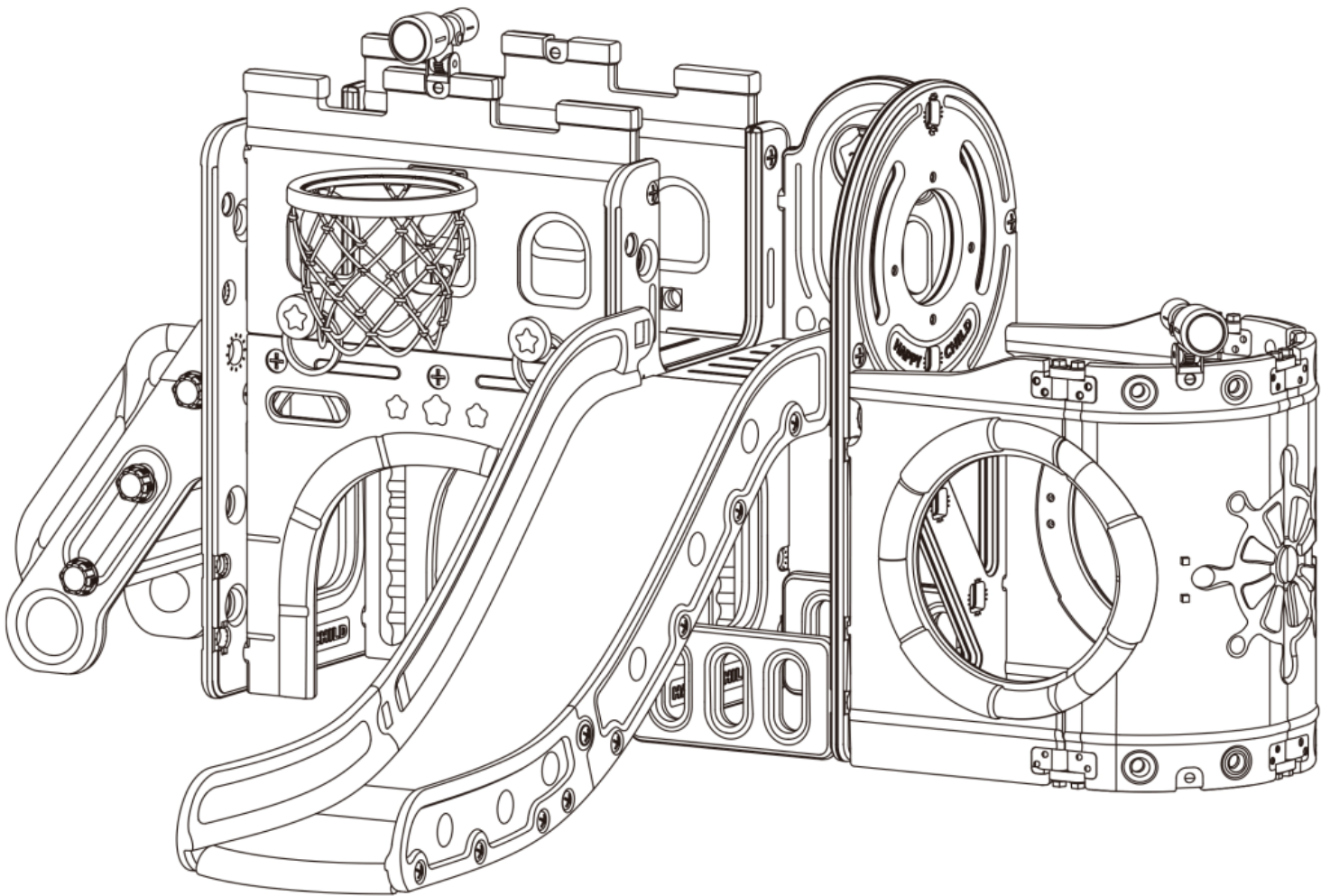


# Pirate Ship Playset

## USER MANUAL



READ AND SAVE THIS INSTRUCTION FOR FUTURE USE

---

# SAFETY & WARNINGS

## ADULT ASSEMBLY REQUIRED.

- Keep these instructions for future reference.
- This product is intended for indoor, outdoor, family, domestic use only.
- Place this product on level ground and at least 6.6' away from a fence, building, overhead branches, laundry lines or electrical wires. This product should be placed away from furniture that could cause injury if a fall occurs.
- Ensure the installation area is ventilated.
- Do not use the product if it is damaged or defective. If it is damaged or defective, please contact a qualified technician.
- Check that all parts are assembled well and are stable before use. Defective parts must be changed immediately as they can impair the function and the safety of the product.
- When temperatures fall below freezing (0°C/32°F), outdoor use of this product is not recommended. In extreme cold, plastic materials lose resilience and may become brittle and crack with impact. Store product in a warmer, protected place.
- Keep away from fire or any source of ignition.
- Packing materials are not toys, keep them away from children.
- Instruct children on proper use of this product: only after properly assembled and installed, and not in a manner other than intended.
- Dress children appropriately: do not allow children to wear loose-fitting clothing including ponchos, scarves and garments with drawstrings. Well-fitting shoes must be worn at all times.
- Avoid placing equipment in direct sunlight as hot surfaces could cause serious burns.
- Provide adult supervision at all times.

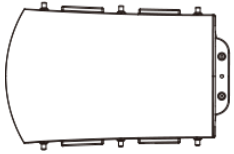
**PLEASE DO NOT RETURN TO STORE**



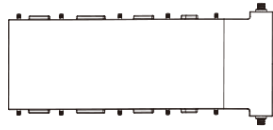
**Please do not return this product to the retailer!!  
We are able to assist you in ANY way**

If you find that you have any trouble with assembly or missing or damaged parts please contact the seller.

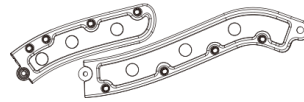
# PART LIST



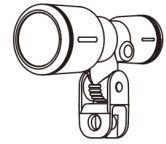
Slide Extension x 1



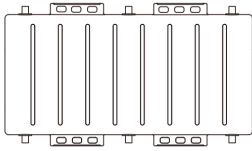
Slide x 1



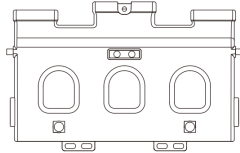
Slide Handrail x 2



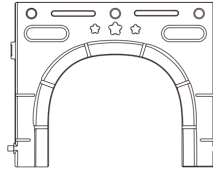
Telescope x 2



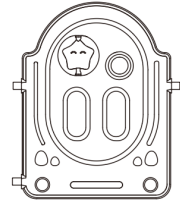
Platform A x 1



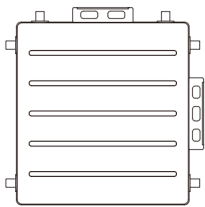
Side Panel A x 2



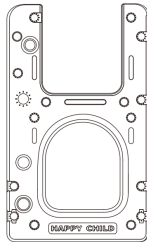
Side Panel B x 2



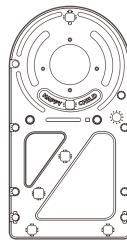
Platform Panel x 1



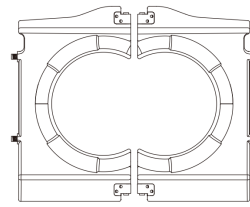
Platform B x 1



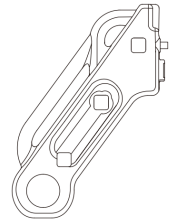
Side Panel C x 2



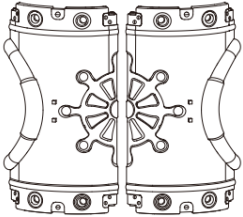
Side Panel D x 1



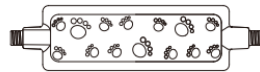
Side Panel E x 2



Stair Handrail x 2



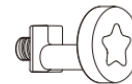
Front Panel x 2



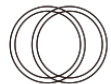
Tread x 3



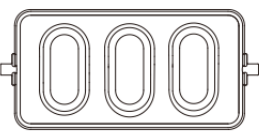
Riser x 2



Peg x 2



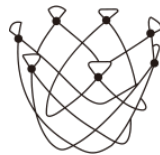
Ring x 4



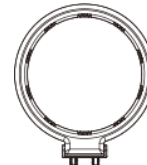
Panel A x 2



Basketball x 1



Basketball Net x 1



Basketball Ring x 1



Screw A x 12



Screw B x 1



Screw C x 2



Screw D x 2



Screw E x 16



Screw F x 37



Screw G x 6



Screw H x 2

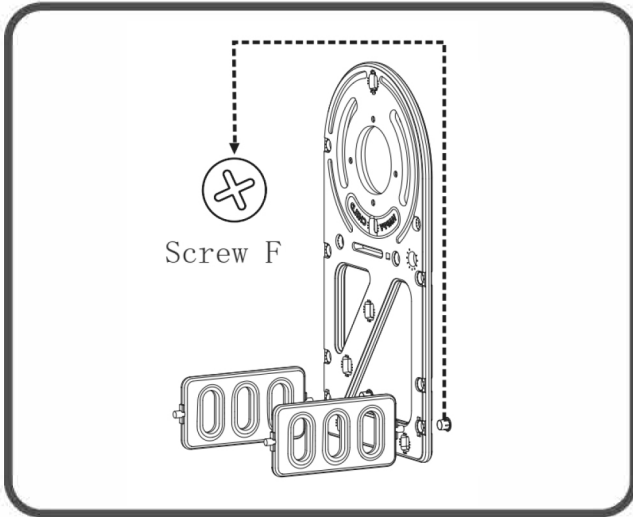


Gear Snap x 6



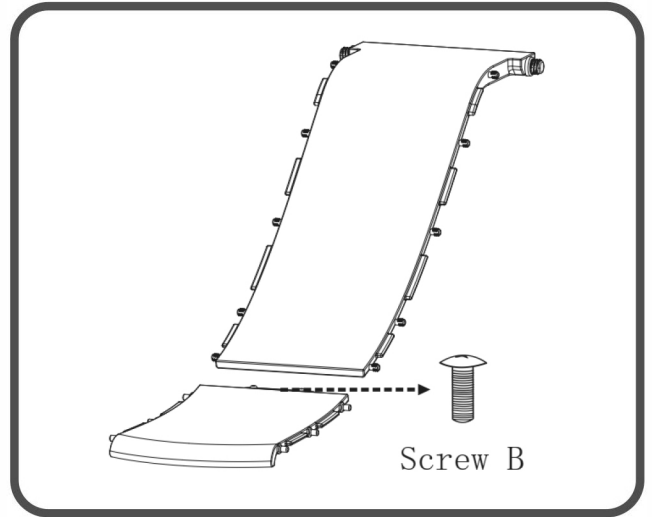
Screwdriver x 1

# ASSEMBLY



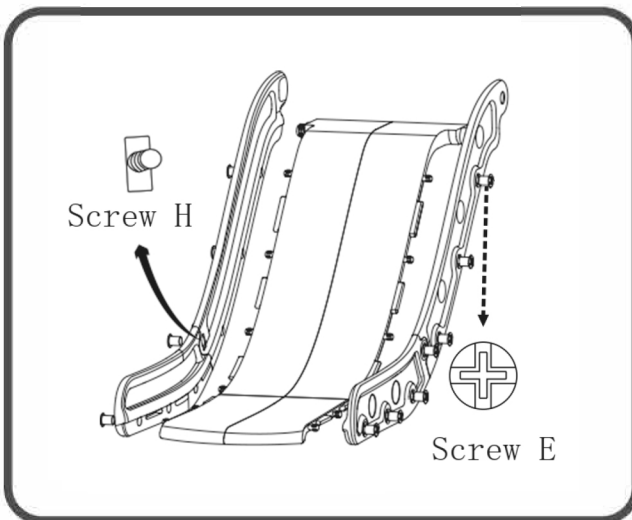
## Step1

Attach the Panel A to Side Panel D, secure with 2 Screws F.



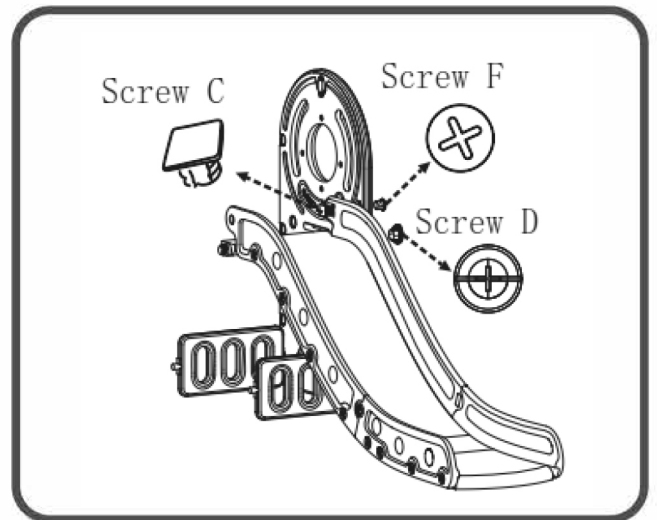
## Step2

Connect the Slide Extension to Slide, secure with 1 Screw B.



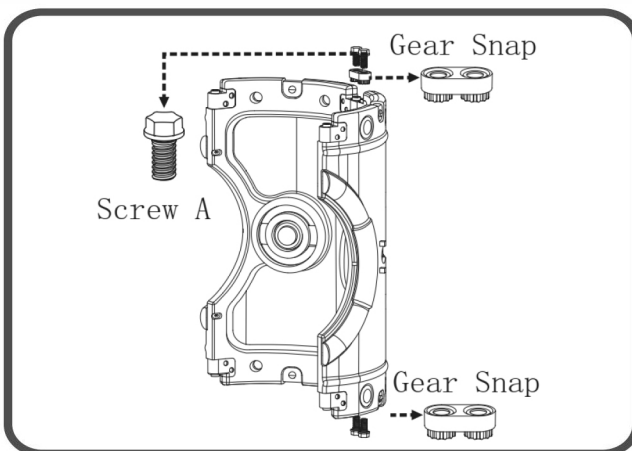
## Step3

Attach the Handrails, secure with 7 Screws E and 1 Screw H on each side.



## Step4

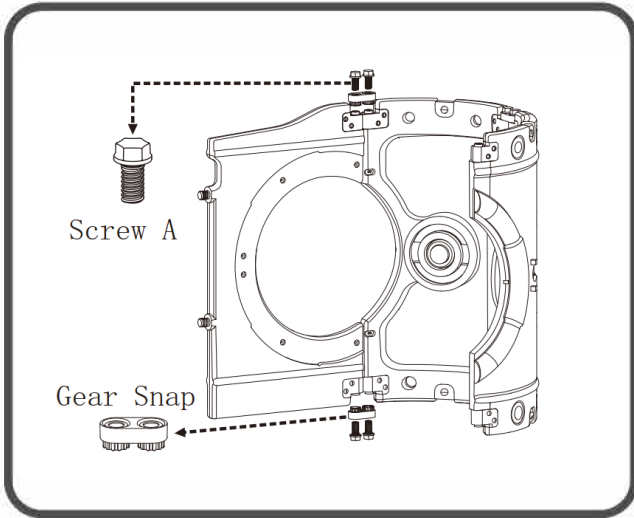
Connect the Slide to the Side Panel D, secure with 1 Screw C, 1 Screw D, 1 Screw F.



## Step5

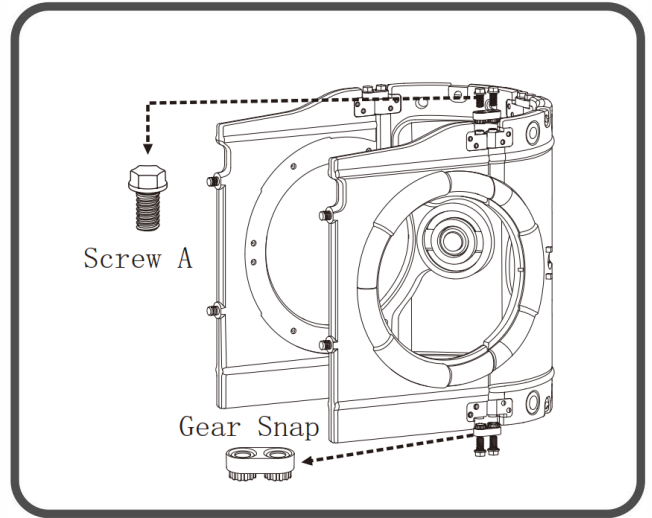
Connect the 2 Front Panel, secure with 4 Screws A and 2 Gear Snaps.

# ASSEMBLY



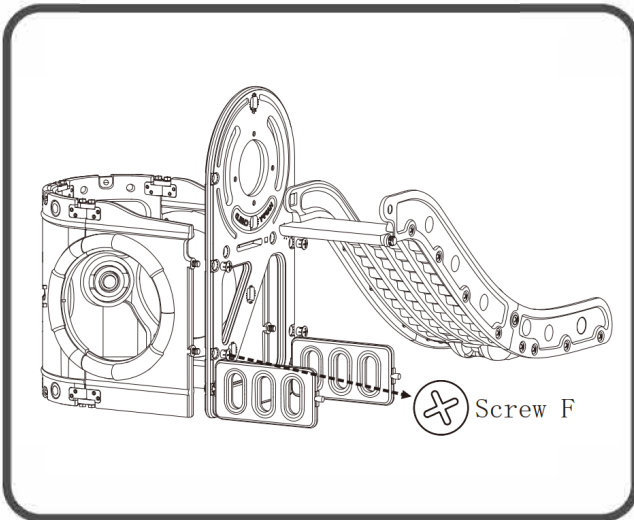
## Step 6

Connect the Side Panel E to the Step 5 assembled parts, secure with 4 Screws A and 2 Gear Snaps.



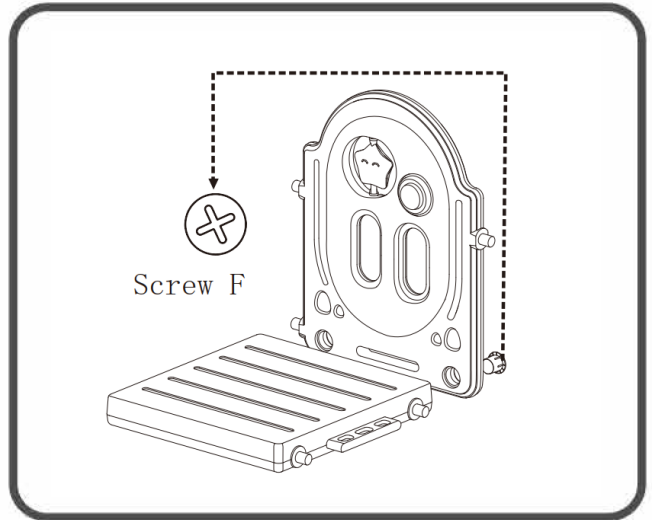
## Step 7

Repeat the assembly steps of the Step 6.



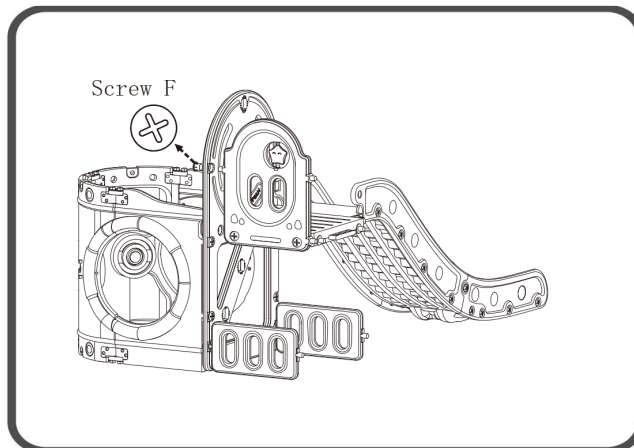
## Step 8

Connect the Step 7 assembled parts to the Step 4 assembled parts, secure with 4 screws F.



## Step 9

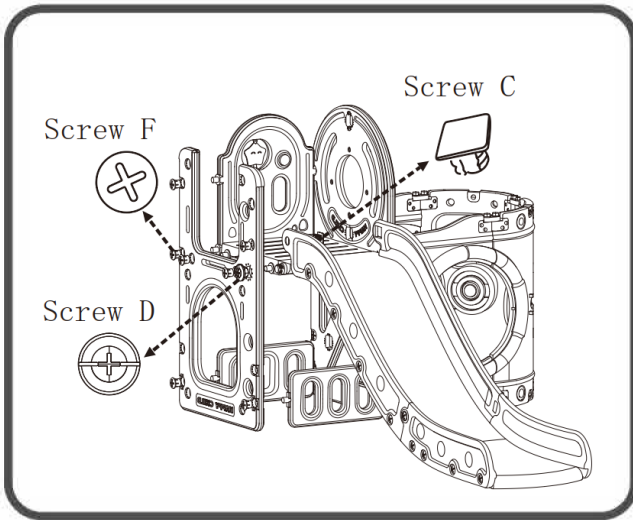
Connect the Platform B to Platform Panel, secure with 2 Screws F.



## Step 10

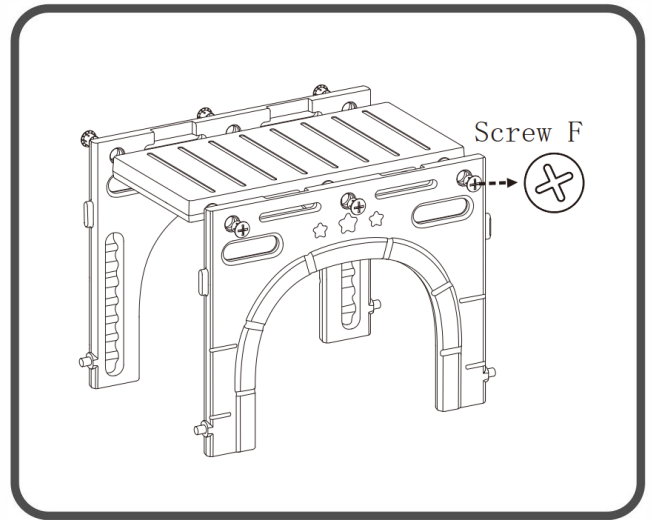
Connect the Step 9 assembled parts to the Step 8 assembled parts, secure with 3 screws F.

# ASSEMBLY



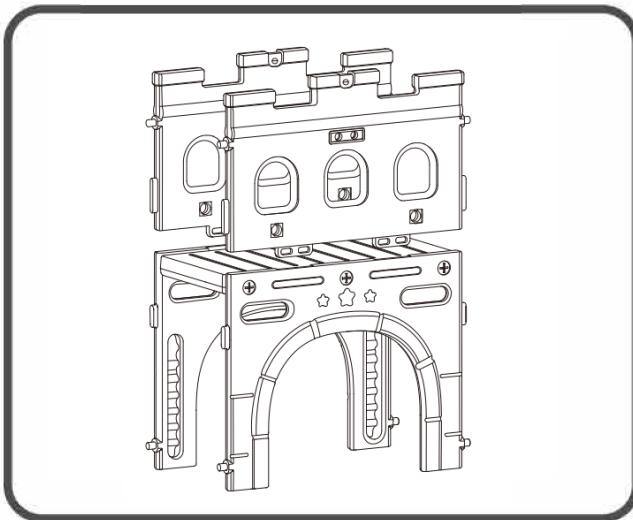
## Step 11

Connect Step 10 Assembled parts to another Side Panel C, secure with 1 Screw C, 1 Screw D, 7 Screws F.



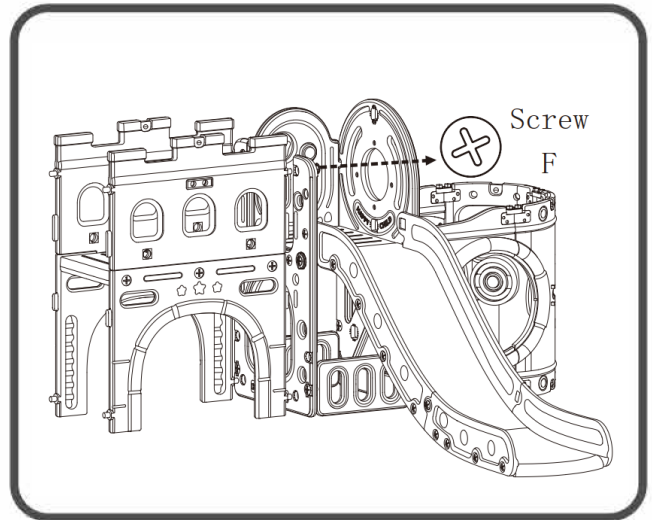
## Step 12

Connect the 2 Side Panel B to the Platform A, secure with 6 Screws F.



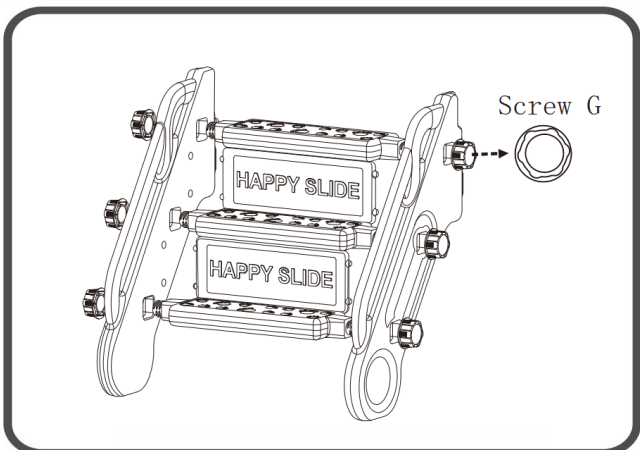
## Step 13

Attach the Side Panel B to Side Panel A.



## Step 14

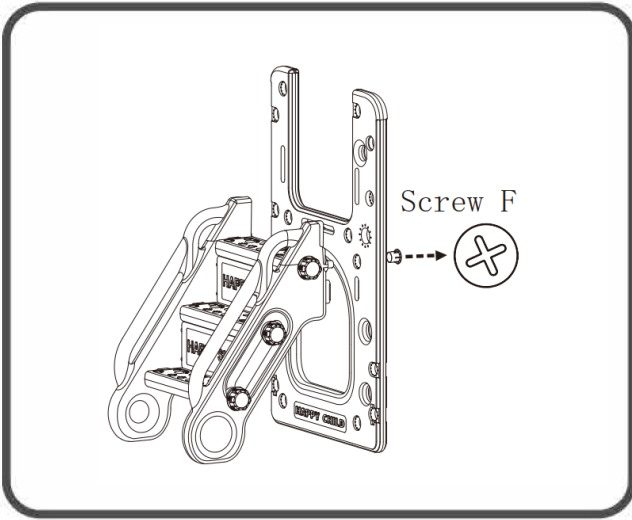
Connect the Step 13 assembled parts to the other side of the Side Panel C, secure with 4 Screws F.



## Step 15

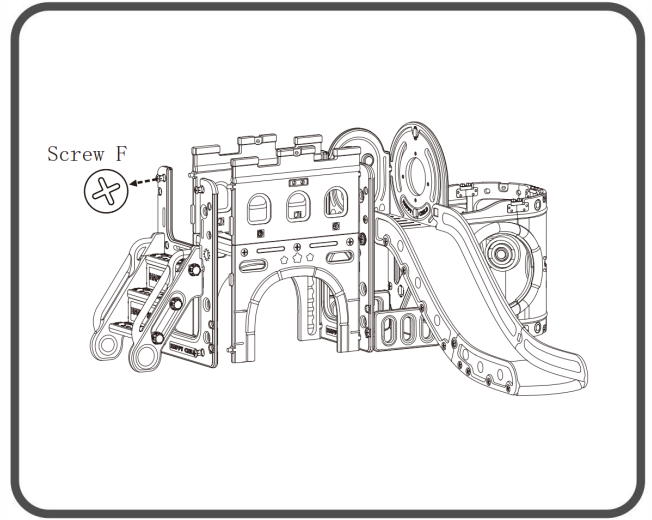
Connect the Tread and Riser to the Stair Handrail, secure with 3 Screws G each side.

# ASSEMBLY



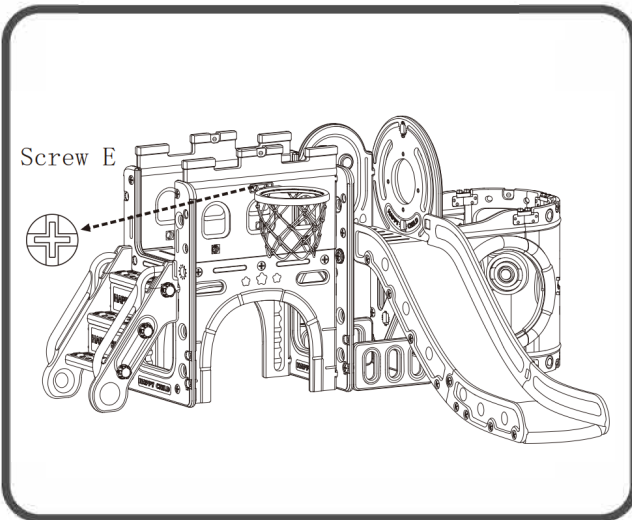
## Step 16

Connect Step 15 Assembled parts to another Side Panel C, secure with 2 Screws F.



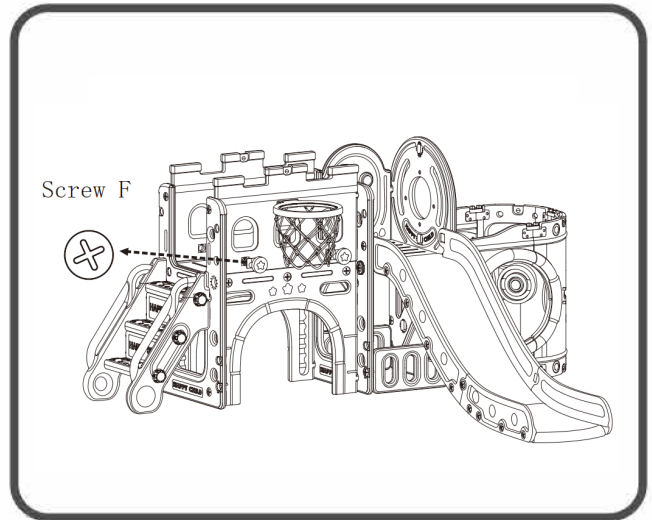
## Step 17

Connect Step 16 Assembled parts to Step 14 Assembled parts, secure with 4 Screws F.



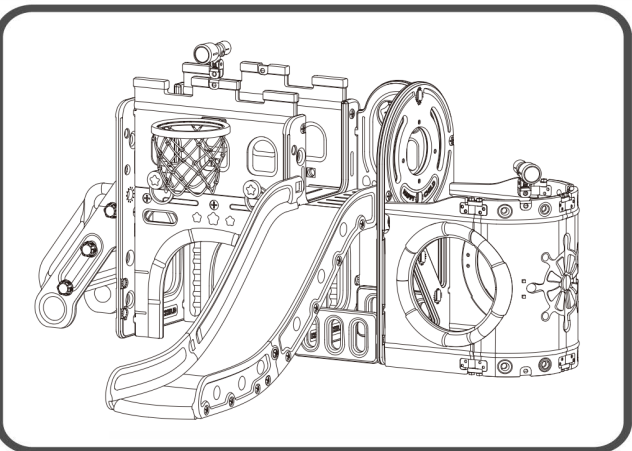
## Step 18

Attach the Basketball Ring with 2 Screws E.



## Step 19

Attach the Peg with 2 Screws F.



## Step 20

Attach the Telescope.  
Assembly completed!

※ All drawings shown are for illustration purposes only. The number of screws used on the slide may vary due to multiple variations of this product. Errors and omissions excepted.



## GENERAL SAFETY INSTRUCTIONS

This product is intended for indoor, outdoor, home, domestic use only. It is not suitable for commercial or medical use.

The assembly of the product must be done carefully and by an able-bodied adult. If in any doubt, ask a technically qualified person.

Do not use the product if it is damaged or defective. If it is damaged or defective, please contact a qualified technician.

Check the product before each use. Defective parts must be changed immediately as they can impair the function and the safety of the product.

Use the product only on even and non-slip surfaces. Keep sufficient space around for safety.

Beware that when using tools or doing technical work, there is always a risk of injuries. Assemble the product with care.

After installing the product according to the instruction manual, ensure all screws, bolts and nuts are correctly installed and tightened and that all joints are secure.

Do not make alterations to the product. Only use original spare parts. Only qualified technicians should carry out repairs - improper repairs can lead to danger for the user. Use this product only as described in this manual.

## IMPORTANT

The owner's manual contains safety, assembly, use and maintenance instructions. The product must be assembled by an adult who has read and understood these instructions. Keep the packaging away from children and dispose of all packaging before use.

## OPERATION INSTRUCTIONS

Provide adult supervision at all times.

The disassembled product contains small parts which pose a choking hazard to children under 3.

Dress children appropriately, including wearing well-fitting shoes that fully protect feet.

Instruct children:

- to sit in the center of the swings with their full weight on the seats,
- to avoid swinging empty seats,
- to slide feet first; one child down slide at a time,
- to remove articles, before playing on equipment, that create hazards when they get tangled and caught.
- not to walk close to, in front of, behind, or between moving items,
- not to get off equipment while it is in motion.

Never allow children to use the equipment in a manner other than intended. Do not swing while standing or slide down head first.