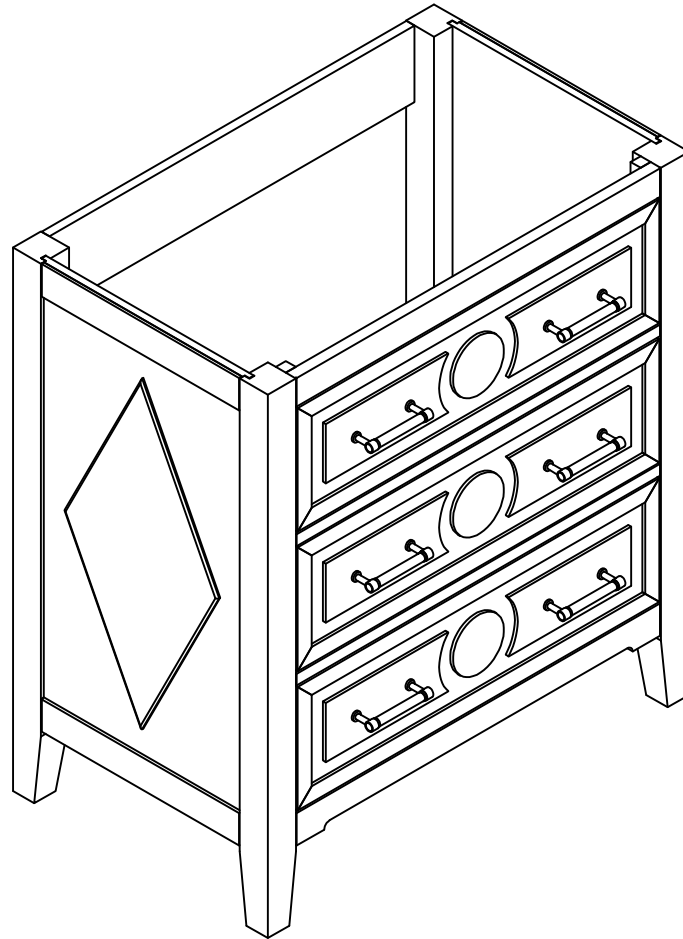


ASSEMBLY INSTRUCTIONS


30 INCH BATH VANITY-CABINET

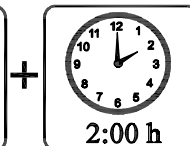
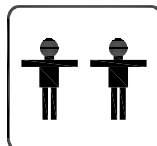
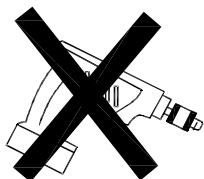


Thank you for purchasing this quality product. Be sure to check all packing material carefully for small parts which may have come loose inside the carton during shipment. Separate, identify and count all parts and hardware.

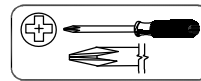
Compare with the parts list to be sure all parts are present.

"DO NOT TIGHTEN SCREWS UNTIL COMPLETELY ASSEMBLED"

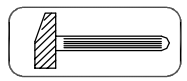

* Use of power tool to assemble this product will invalidate any claim and damage this product making unsafe !!!
* Please assemble on a clean soft surface to avoid damage.



Tools Required



(Not included)



(Not included)

IMPORTANT:

PLEASE READ INSTRUCTION BEFORE STARTING THE ASSEMBLY

PLEASE DO NOT RETURN TO STORE



**Please do not return this product to the retailer!!
We are able to assist you in ANY way**

If you find that you have any trouble with assembly or missing or damaged parts please contact the seller.

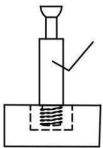
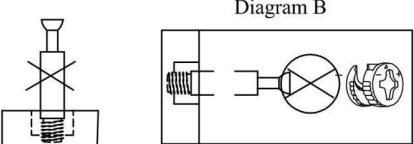
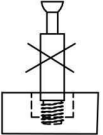
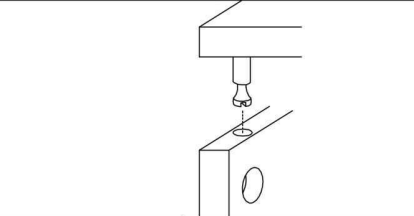
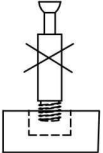
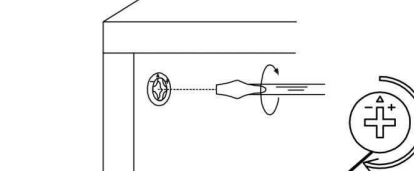
Before Installation

Important – Please read these instructions fully before starting assembly

Thank you for purchasing this quality product. Be sure to check all packing materials carefully for small parts, which may have come loose inside the carton during shipment. Identify and count all items according to the PARTS LIST and/or HARDWARE LIST shown below. Check you have all the components and tools listed on the following pages.

- We recommend that you assemble this product with the assistance of another person; this will make the assembly easier, and will help eliminate damage to the product or injury to persons during assembly.
- Please do not over tighten screws or bolts until the assembly is completed.
- Keep children and animal away from the work area, small parts could choke if swallowed.
- Please put all parts on a non-abrasive floor before assembly, and follow the assembly steps to assemble your newly purchased product correctly and efficiently.

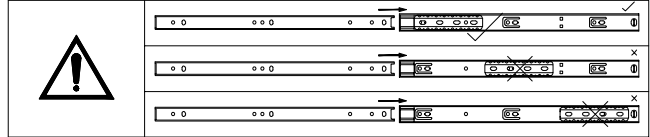
Cam Lock Assembly Instructions

	<p>Diagram A</p> <p>Insert Cam Bolt into hole as shown in diagram A.</p>
	<p>Diagram B</p> <p>Make sure not to insert the Cam Bolt: Too deep as shown in figure B as this will cause the Cam Lock to be misaligned and unable to interlock properly.</p>
	<p>Diagram C</p> <p>Also avoid inserting the Cam Bolt too close to the surface of the hole as shown in figure C, as this will cause the Cam Lock to be too loose, and not interlock properly.</p>
	<p>Connect the panels together.</p>
	<p>ARROW SIGN</p> <p>Insert the Cam Lock so the side opening fits over the head of the Cam Bolt.</p>
	<p>To tighten the Cam Lock, turn it clockwise on half a turn with a flat screwdriver. <i>*Do not use an automatic screwdriver as it may bend or break if too much power is imposed.</i></p>

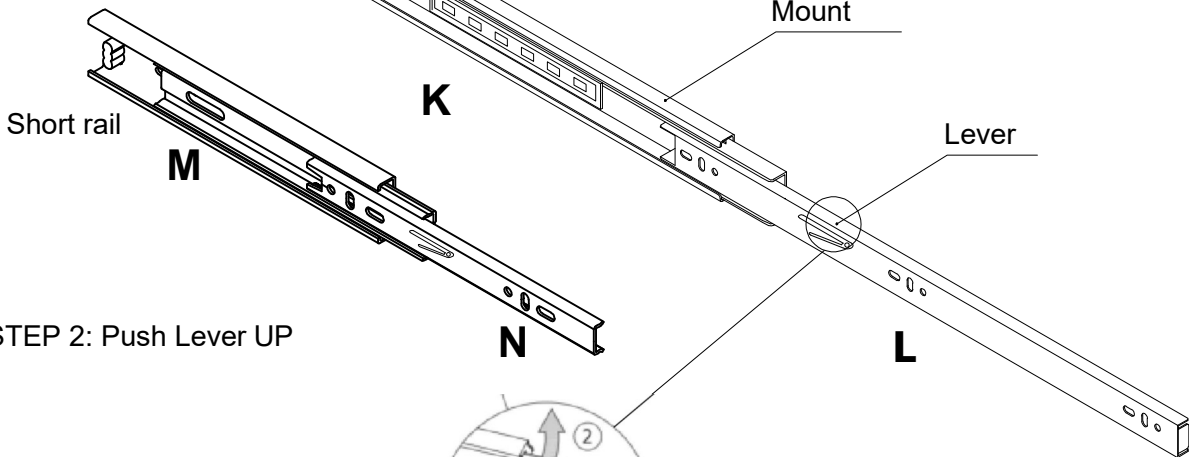
Before installing the slide, separate the cabinet member and the drawer member.

Pay attention when connecting !
The sliding module must be at the front end.

STEP 1 : Extend Slide



Long rail

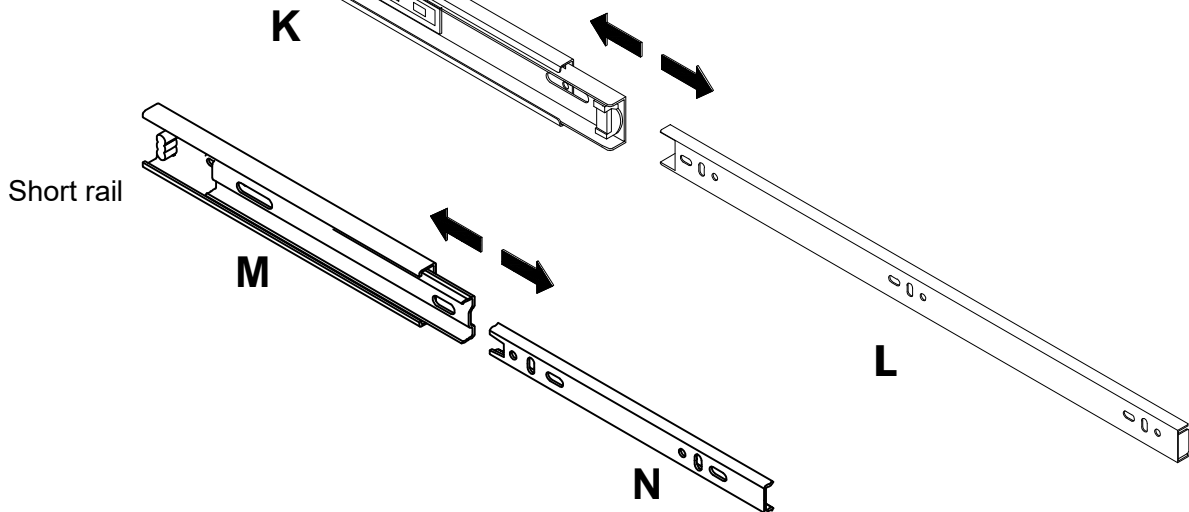


STEP 2: Push Lever UP



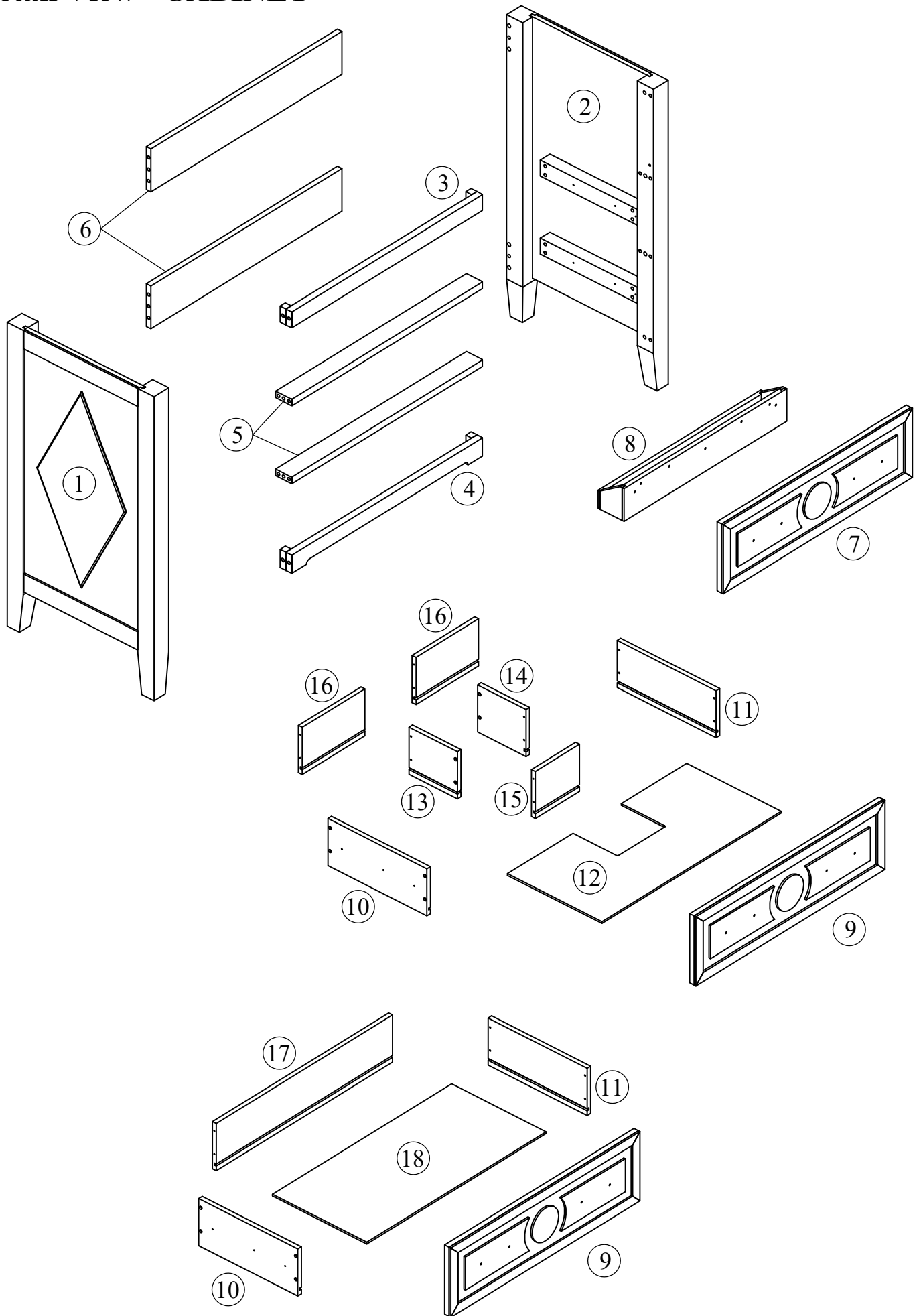
Push lever for the left of drawer ,
press the lever for the right of drawer.

Long rail



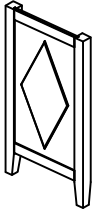
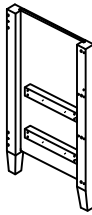
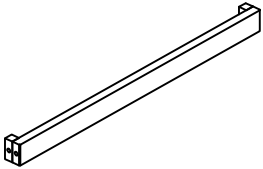
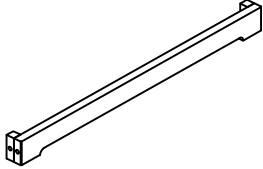
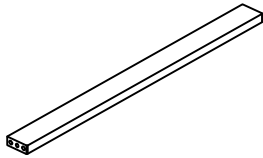
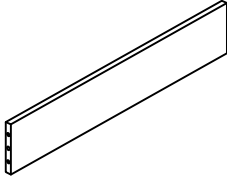
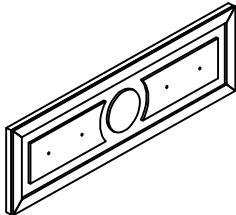
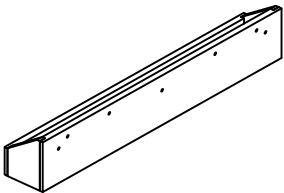
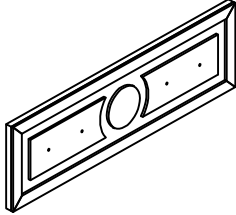
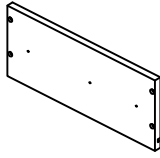
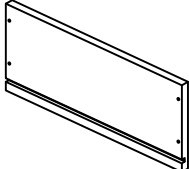
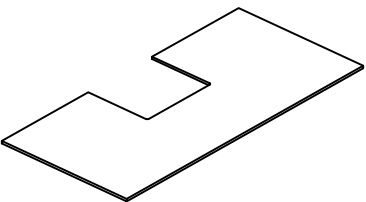
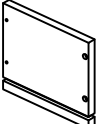
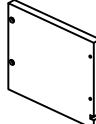
STEP 3: Remove Runner

Detail View - CABINET

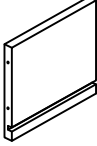
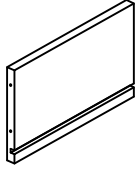
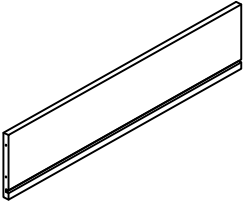
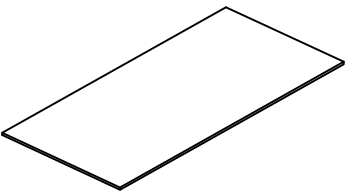


Identifying the Hardware-Identify the hardware using the illustrations below.

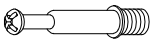

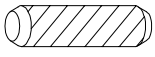




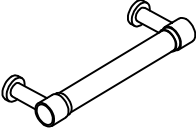
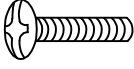
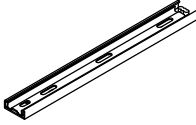
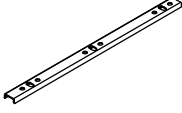

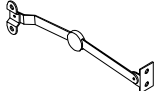
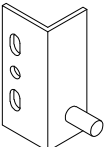


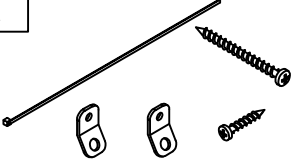
Part List

<p>1</p>  <p>Side Panel (L) - 1pc</p>	<p>2</p>  <p>Side Panel (R) - 1pc</p>
<p>3</p>  <p>Top Crossbar Front - 1pc</p>	<p>4</p>  <p>Bottom Crossbar Front - 1pc</p>
<p>5</p>  <p>Mid Crossbar Front - 2pcs</p>	<p>6</p>  <p>Rear Panel - 2pcs</p>
<p>7</p>  <p>Flip Drawer Face - 1pc</p>	<p>8</p>  <p>Flip Drawer - 1pc</p>
<p>9</p>  <p>Drawer Face - 2pcs</p>	<p>10</p>  <p>Drawer Side Panel (L) - 2pcs</p>
<p>11</p>  <p>Drawer Side Panel (R) - 2pcs</p>	<p>12</p>  <p>Top Drawer Panel Bottom - 1pc</p>
<p>13</p>  <p>Mid Drawer Side Panel (L) - 1pc</p>	<p>14</p>  <p>Mid Drawer Side Panel (R) - 1pc</p>

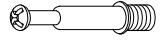

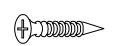
Part List

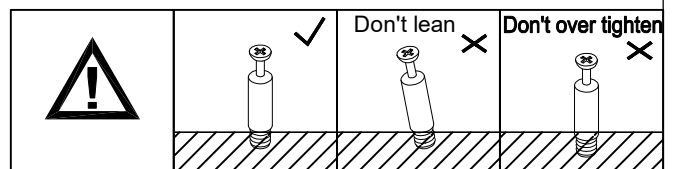
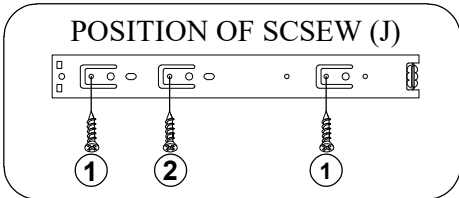
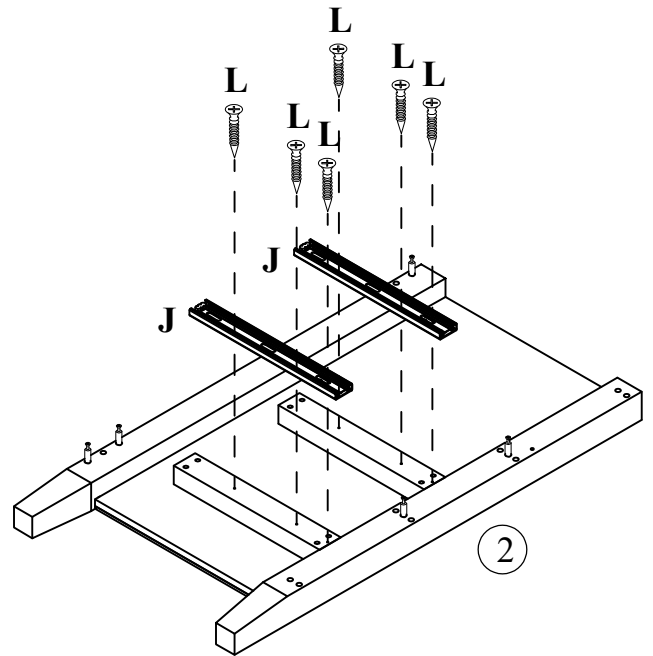
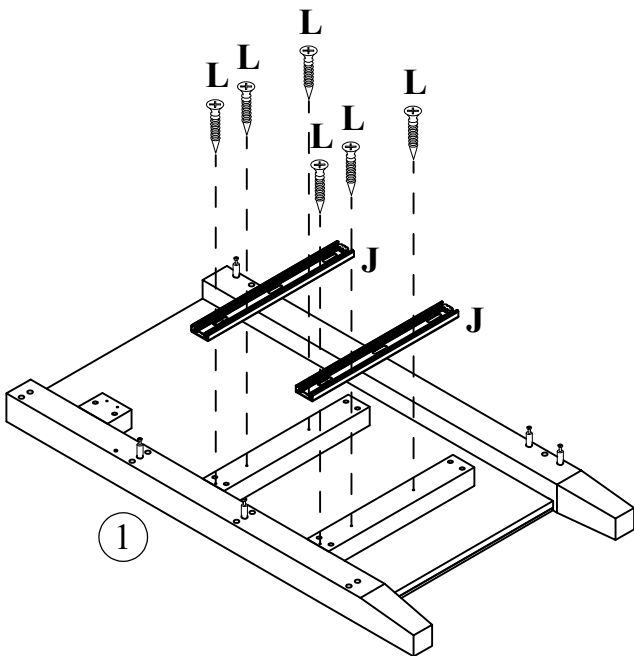
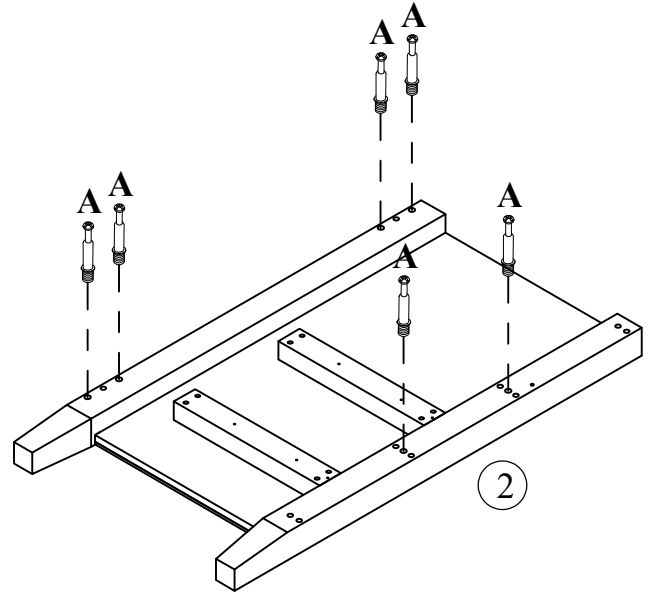
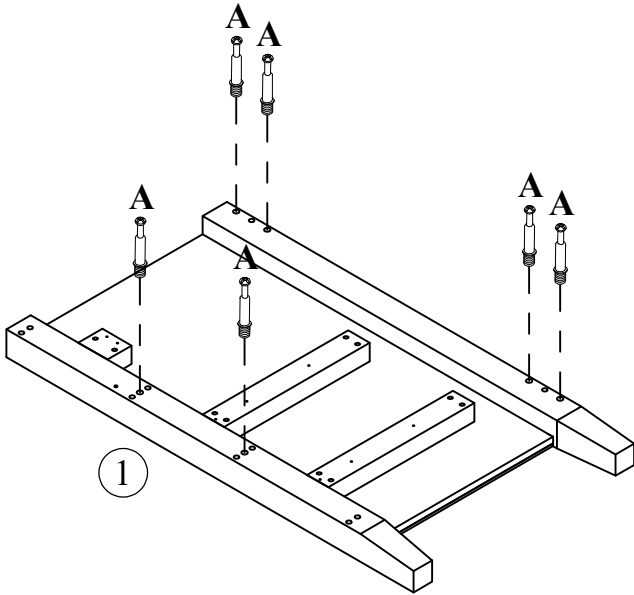
<p>15</p>  <p>Mid Drawer Panel - 1pc</p>	<p>16</p>  <p>Top Drawer Panel Rear - 2pcs</p>
<p>17</p>  <p>Bottom Drawer Panel Rear - 1pc</p>	<p>18</p>  <p>Bottom Drawer Panel Bottom - 1pc</p>

Hardware List

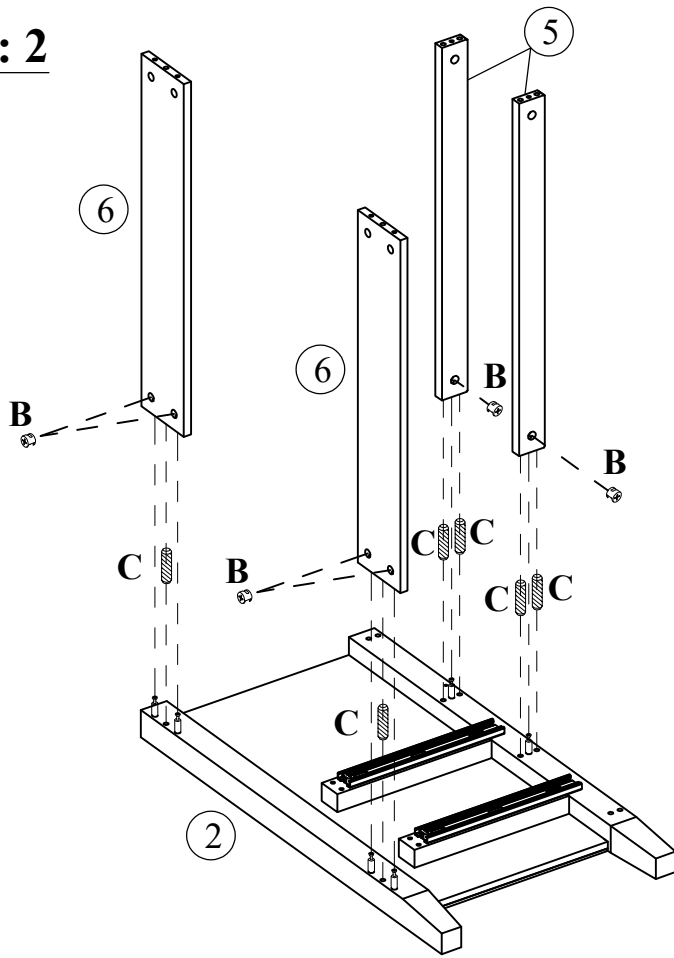
<p>A</p>  <p>ø6x35mm</p>	<p>B</p>  <p>ø14.5x12mm</p>	<p>C</p>  <p>ø8x30mm</p>
<p>Three in one bolts (12pcs) Three in one lock (12pcs) Wood dowel (16pcs)</p>		
<p>D</p>  <p>ø13x1/4"x28mm</p>	<p>E</p>  <p>ø1/4"x16x1mm</p>	<p>F</p>  <p>ø8xø4x19mm</p>
<p>Hex-Head bolts (4pcs) Washer (4pcs) Round head screw (3pcs)</p>		
<p>G</p>  <p>ø8xø4x32mm</p>	<p>H</p> 	<p>I</p>  <p>ø5/32"x35mm</p>
<p>Round head screw (24pcs) Handle (6pcs) Handle screw(12pc)</p>		
<p>J</p>  <p>ø300x35mm</p>	<p>K</p>  <p>ø298x18mm</p>	<p>L</p>  <p>ø6xø3x12mm</p>
<p>Slide rails (4pcs) Slide rails (4pcs) Flat head screw (24pcs)</p>		
<p>M</p> 	<p>N</p> 	<p>O</p>  <p>ø6xø3x12mm</p>
<p>Duo Forte (1pc) Rotary Hinge(2pcs) Round head screw (8pcs)</p>		
<p>P</p>  <p>4mm</p>	<p>Q</p> 	
<p>Allen key (1pc) Anti fall hardware (1set)</p>		



STEP: 1

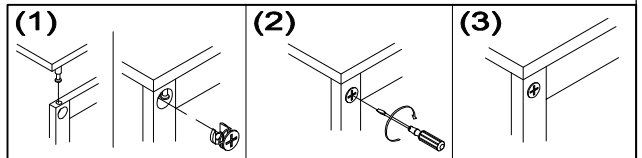
A	J	L
		
12PCS	4PCS	12PCS



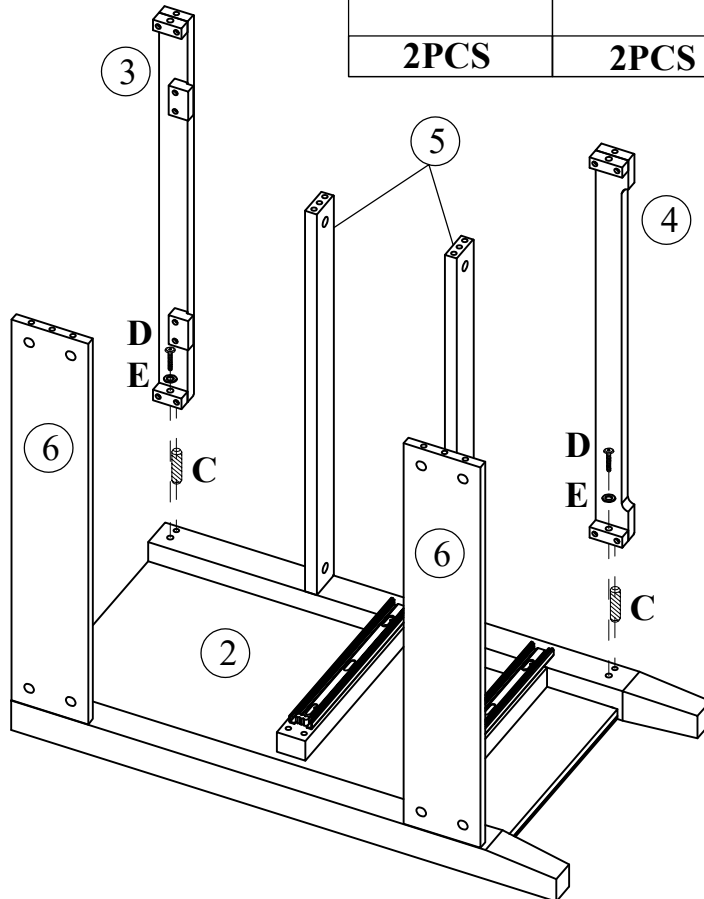
STEP: 2







B		C	
	6PCS		6PCS


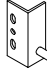

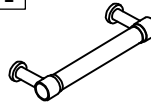
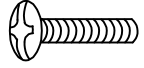


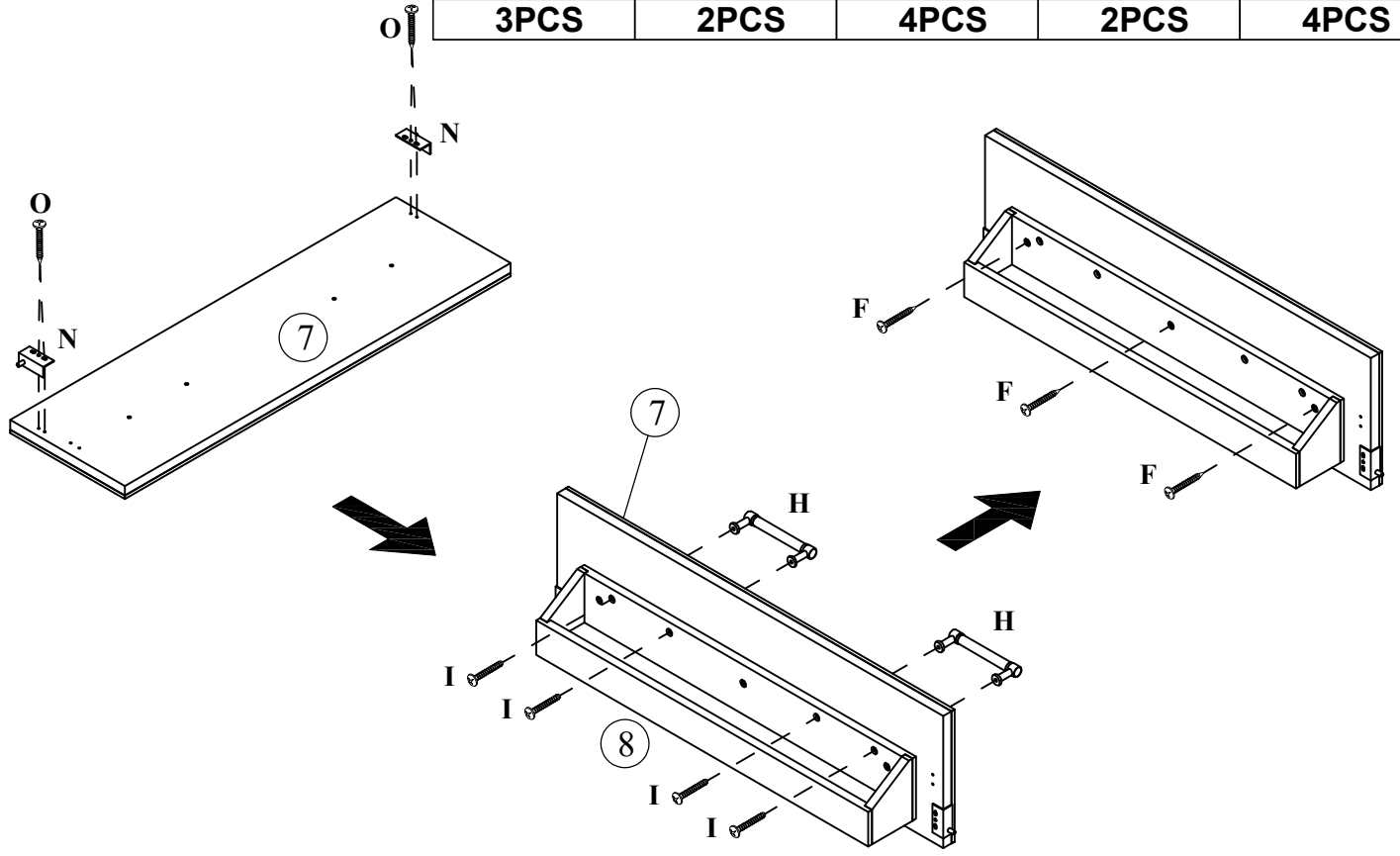
STEP: 3



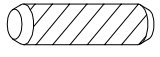
C		D		E		P	
	2PCS		2PCS		2PCS		1PC

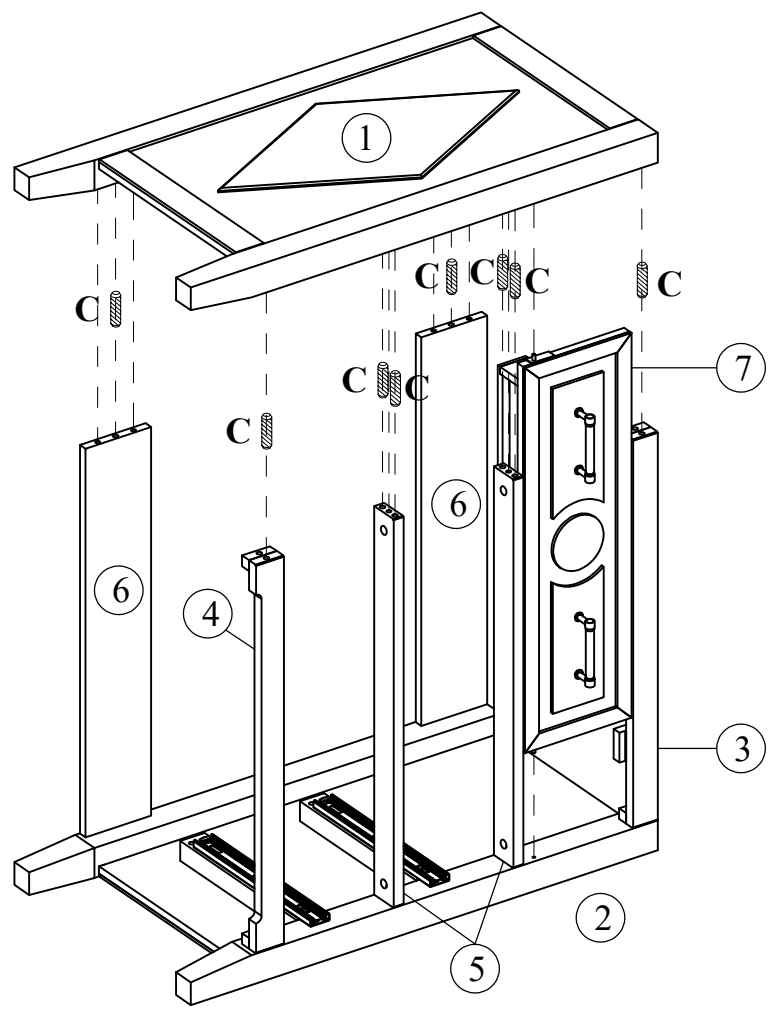
STEP: 4

F 	N 	O 	H 	I 
3PCS	2PCS	4PCS	2PCS	4PCS


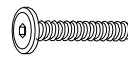




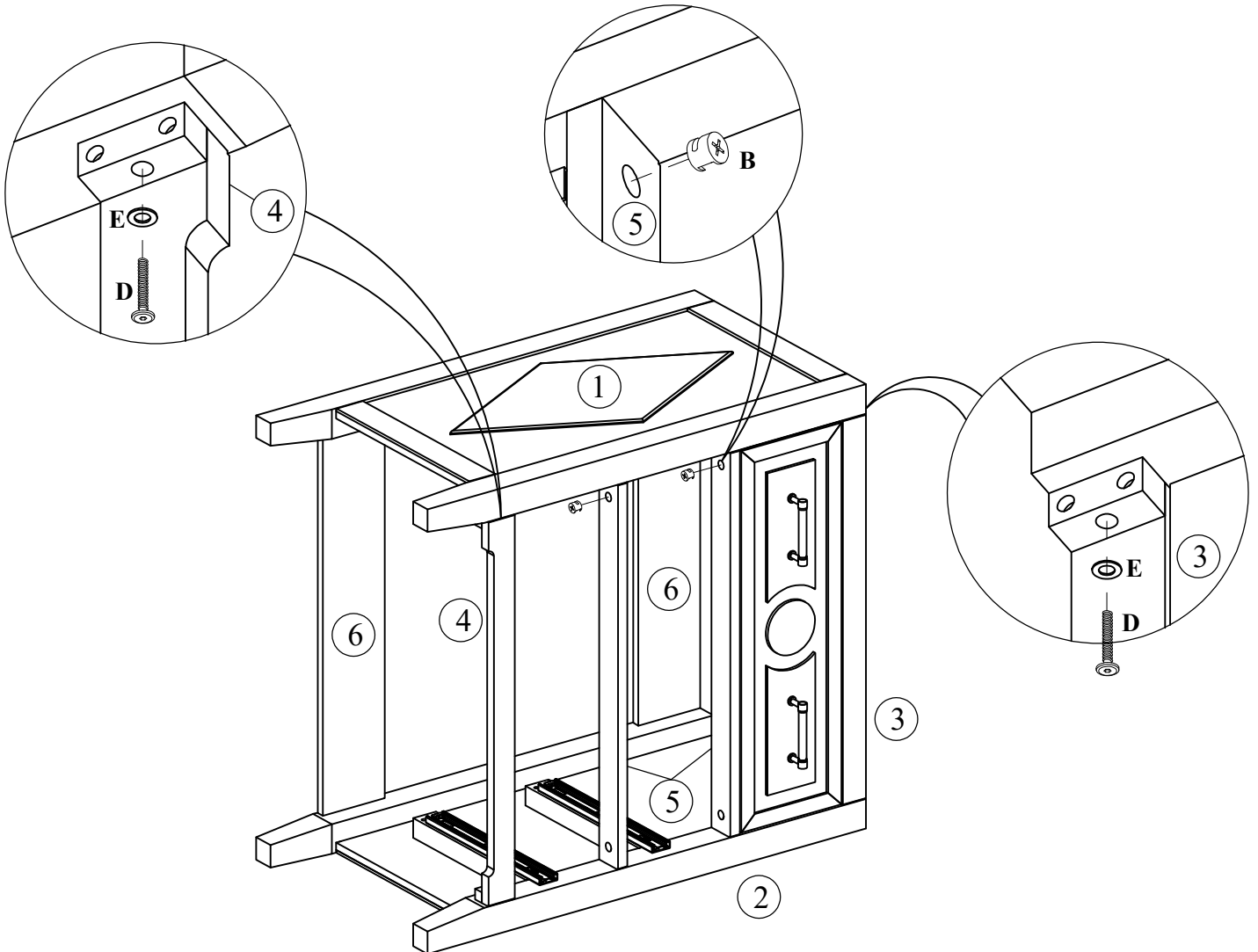
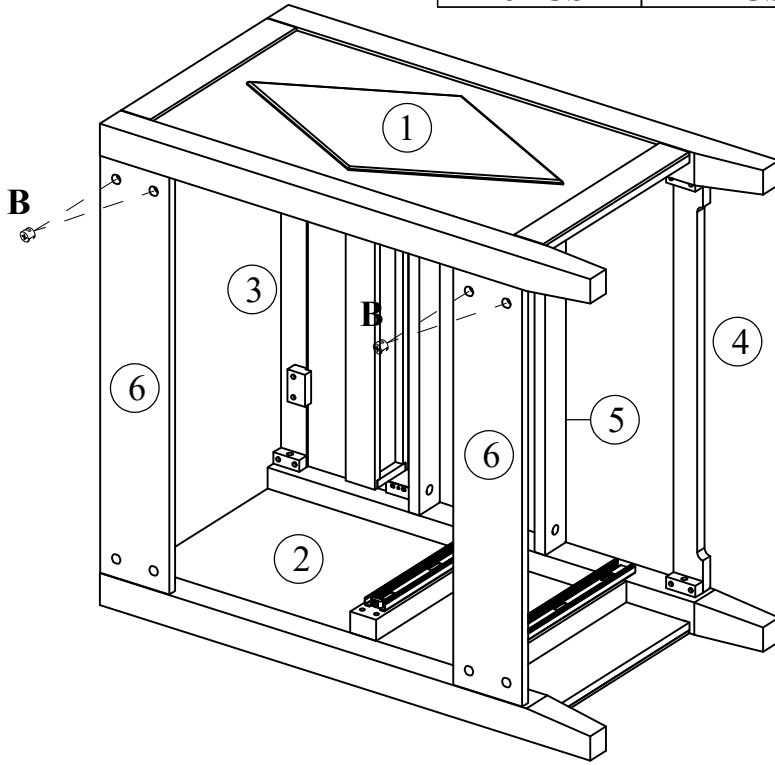
STEP: 5

C 
8PCS

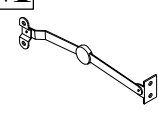



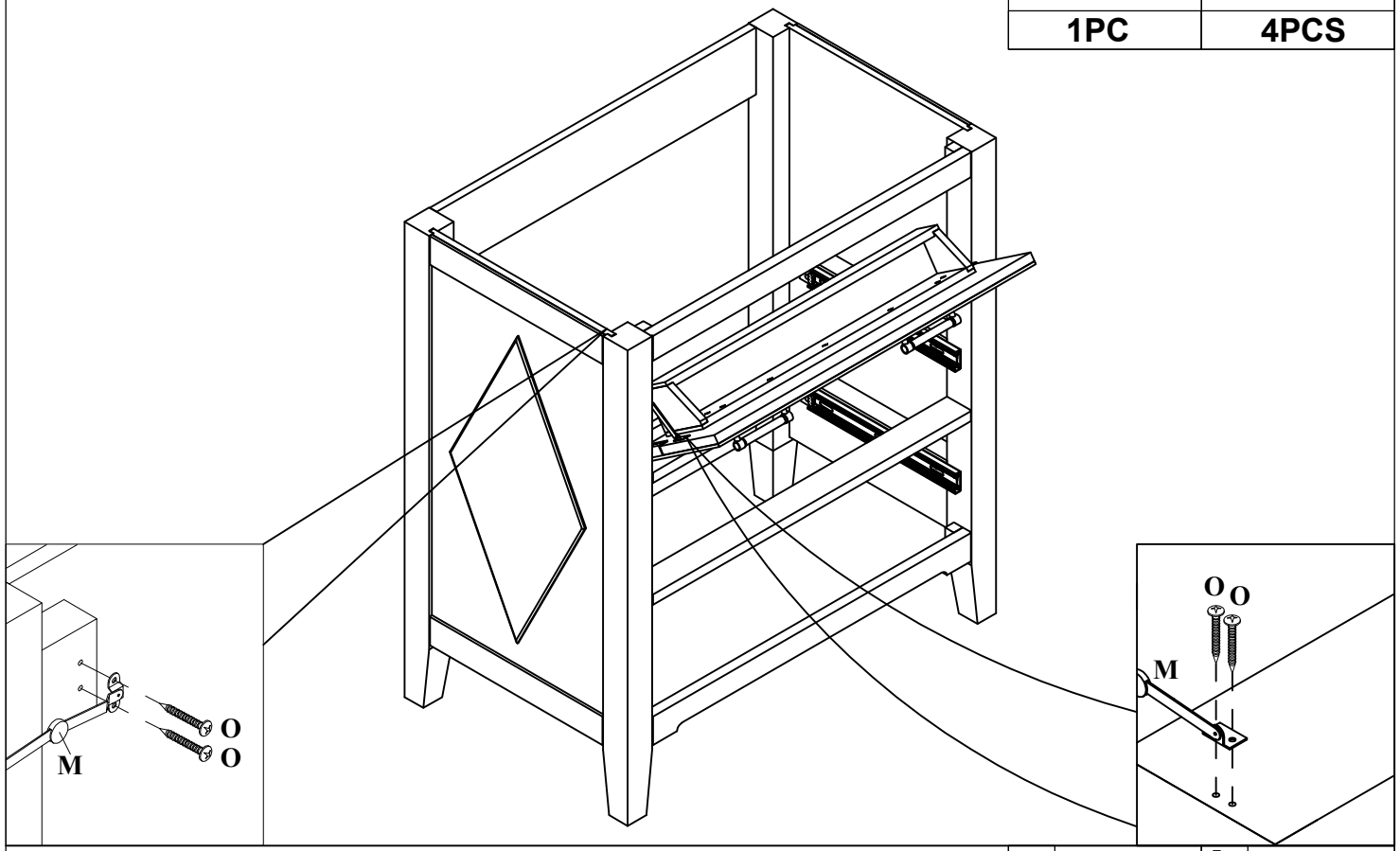
STEP: 6

B 	D 	E 	P 
6PCS	2PCS	2PCS	1PC

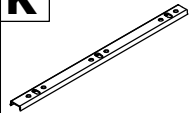
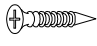


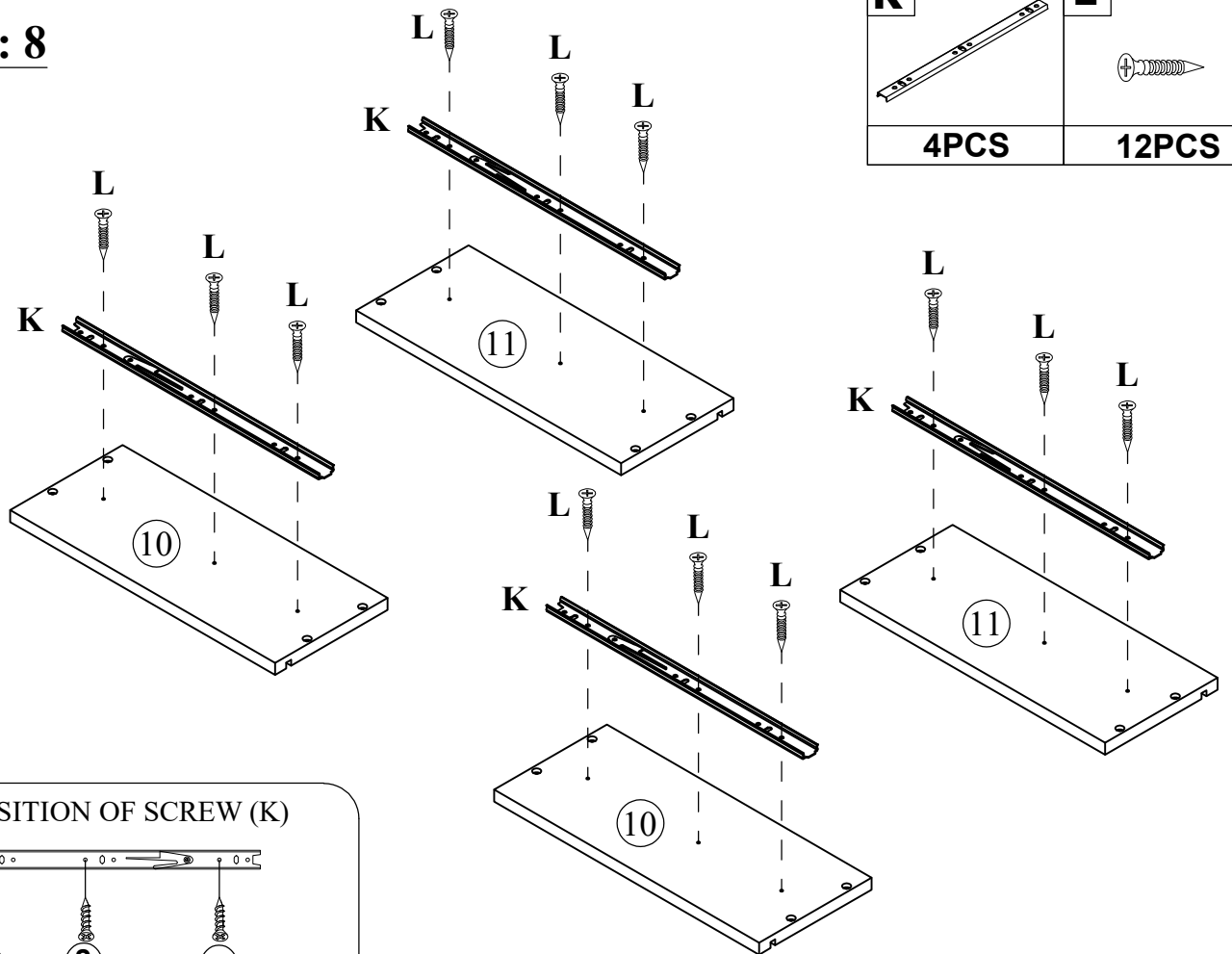
STEP: 7

M	O
	
1PC	4PCS

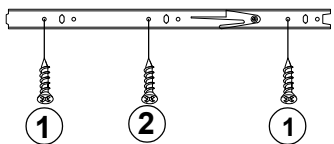


STEP: 8

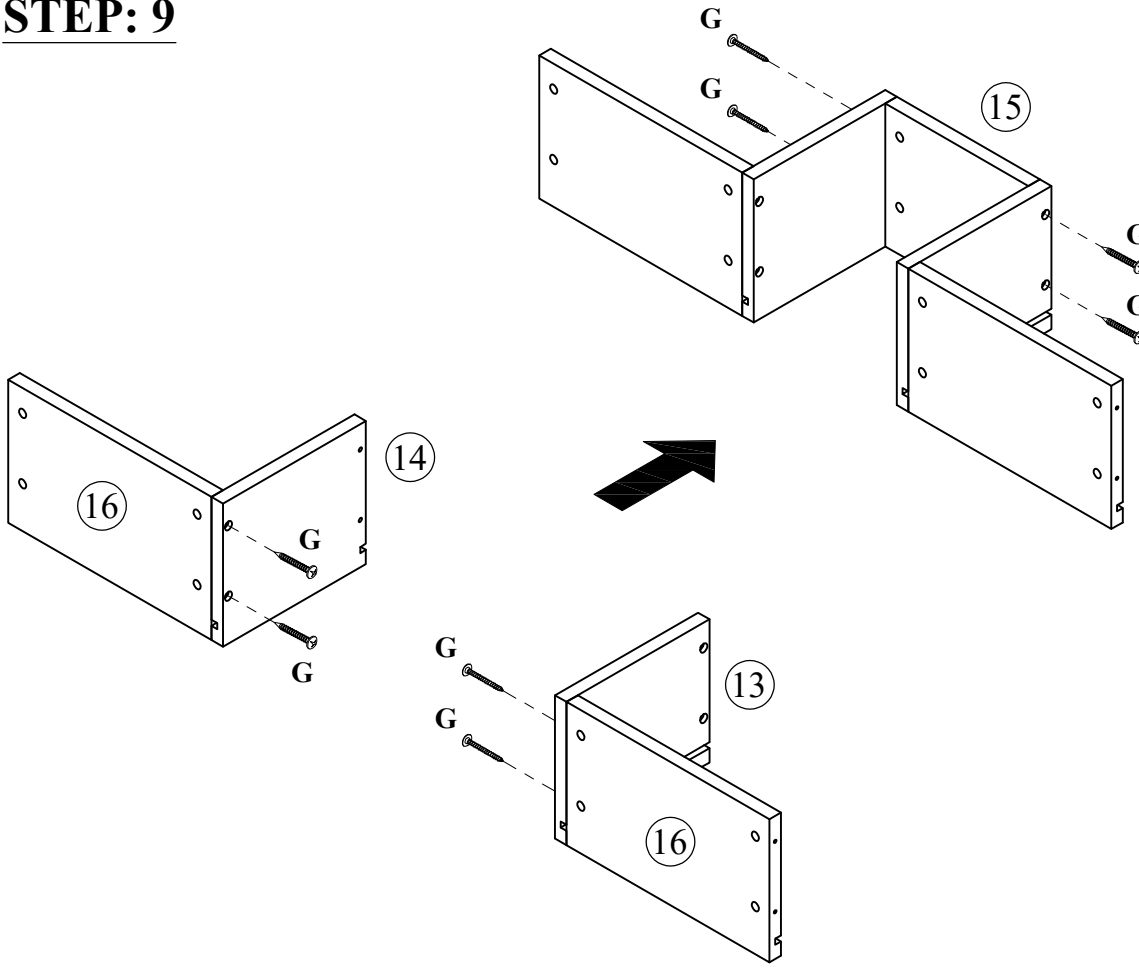
K	L
	
4PCS	12PCS



POSITION OF SCREW (K)



STEP: 9

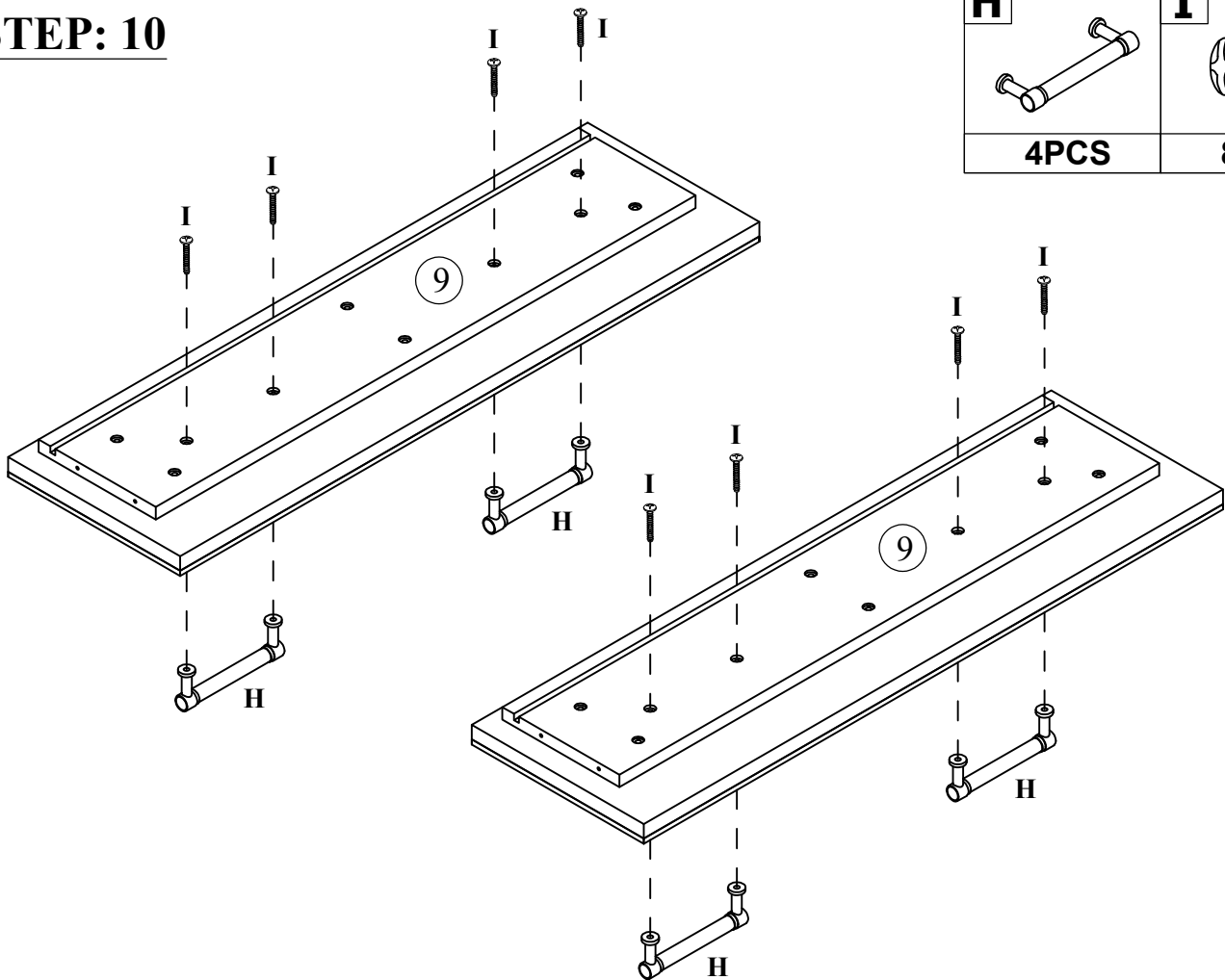


G

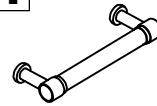


8PCS

STEP: 10

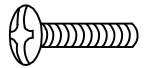


H



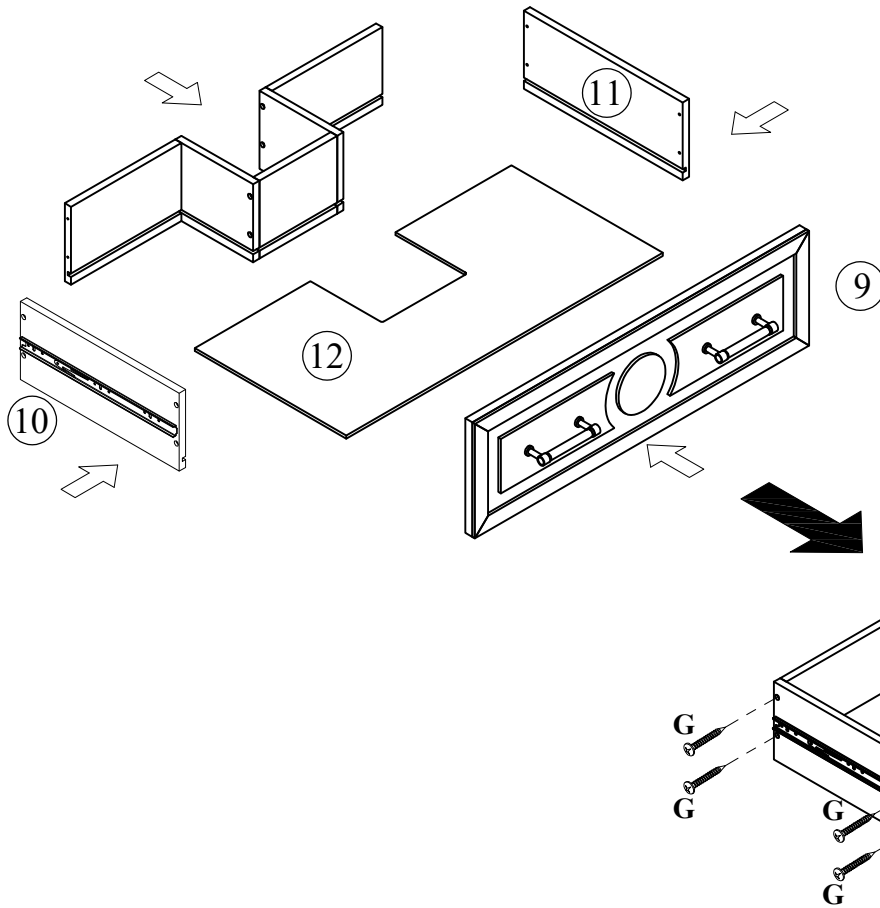
4PCS

I



8PCS

STEP: 11

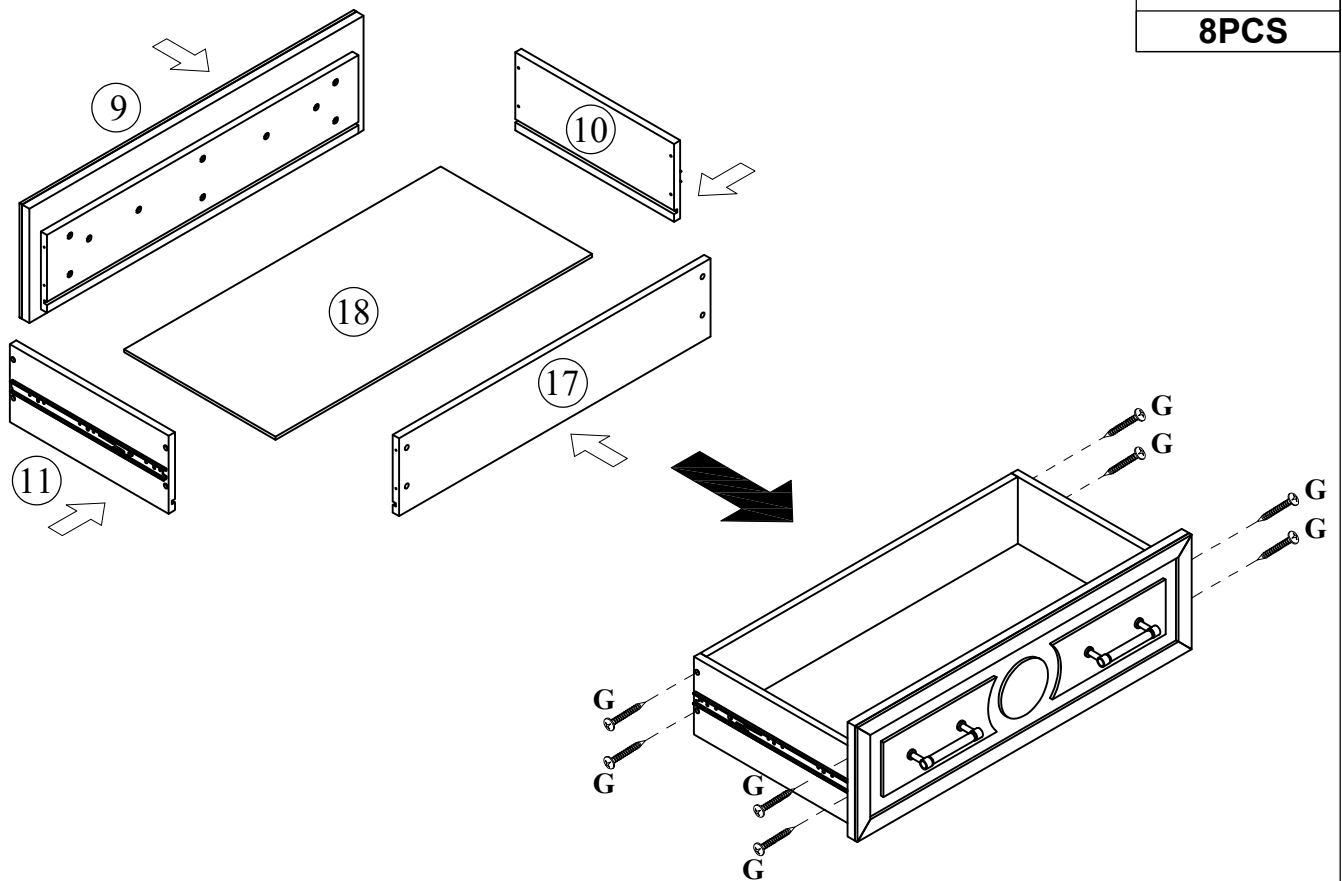


G



8PCS

STEP: 12

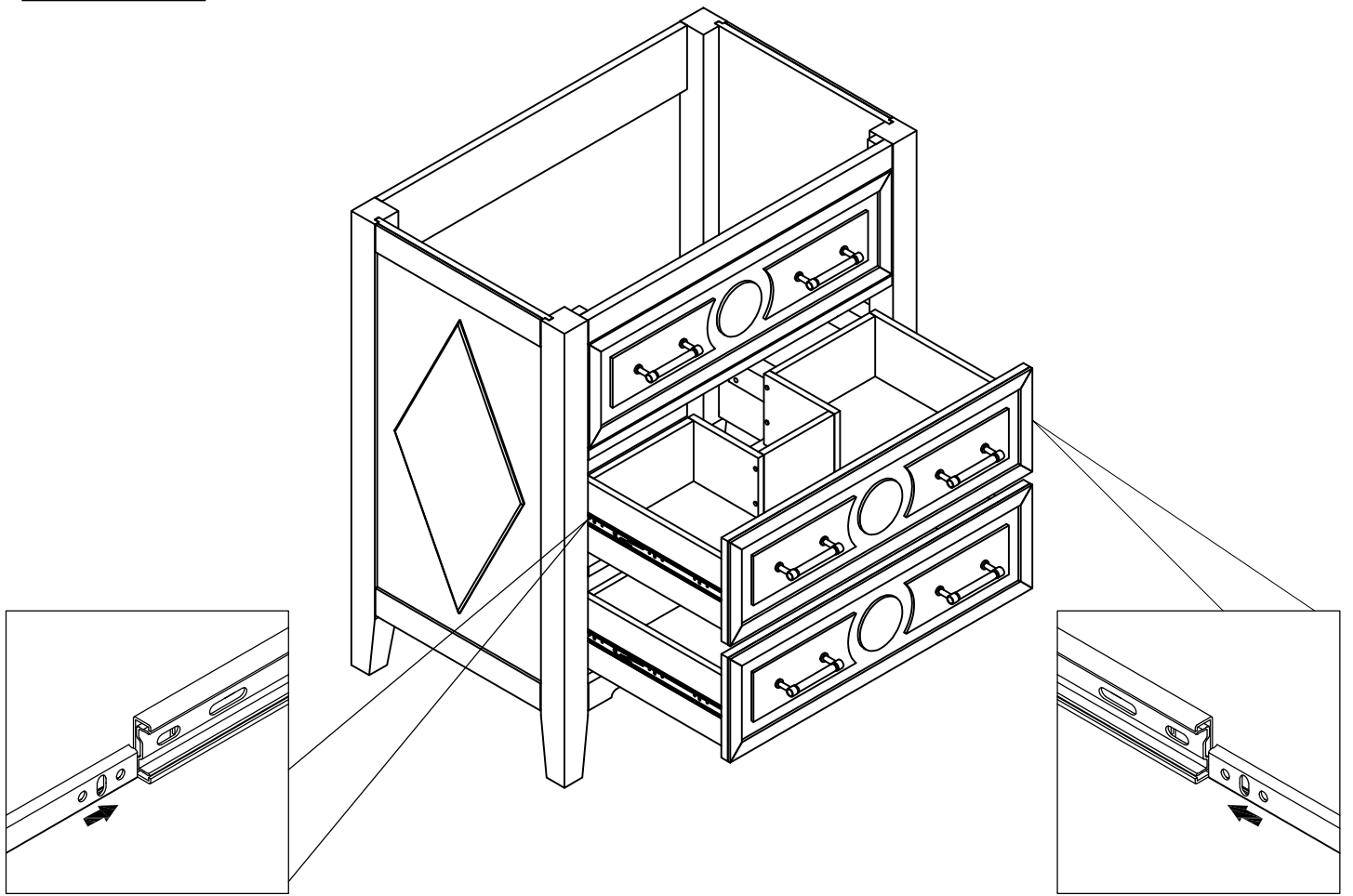


G

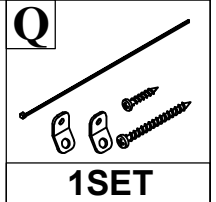
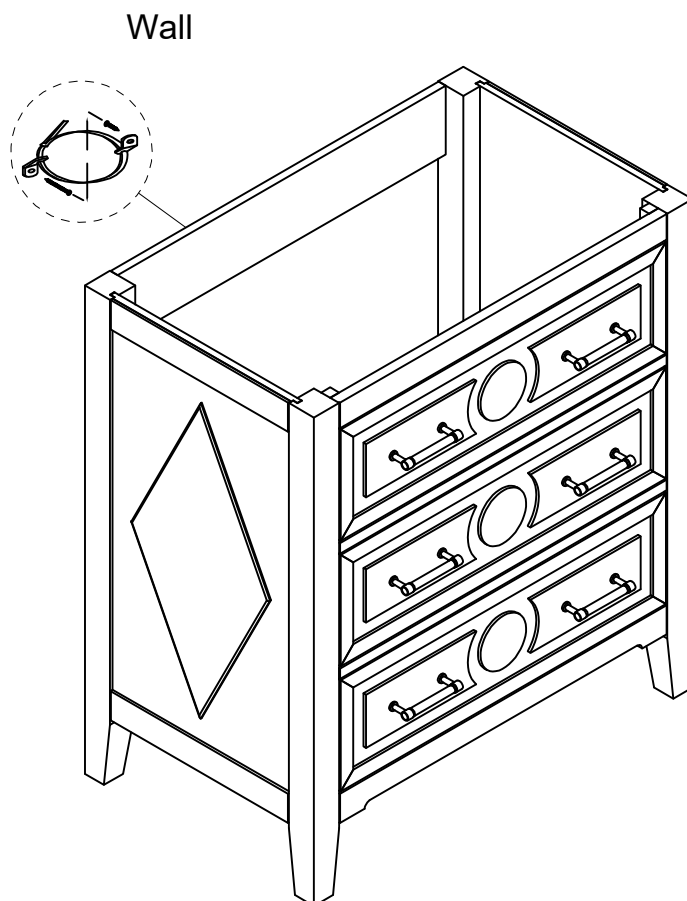


8PCS

STEP: 13

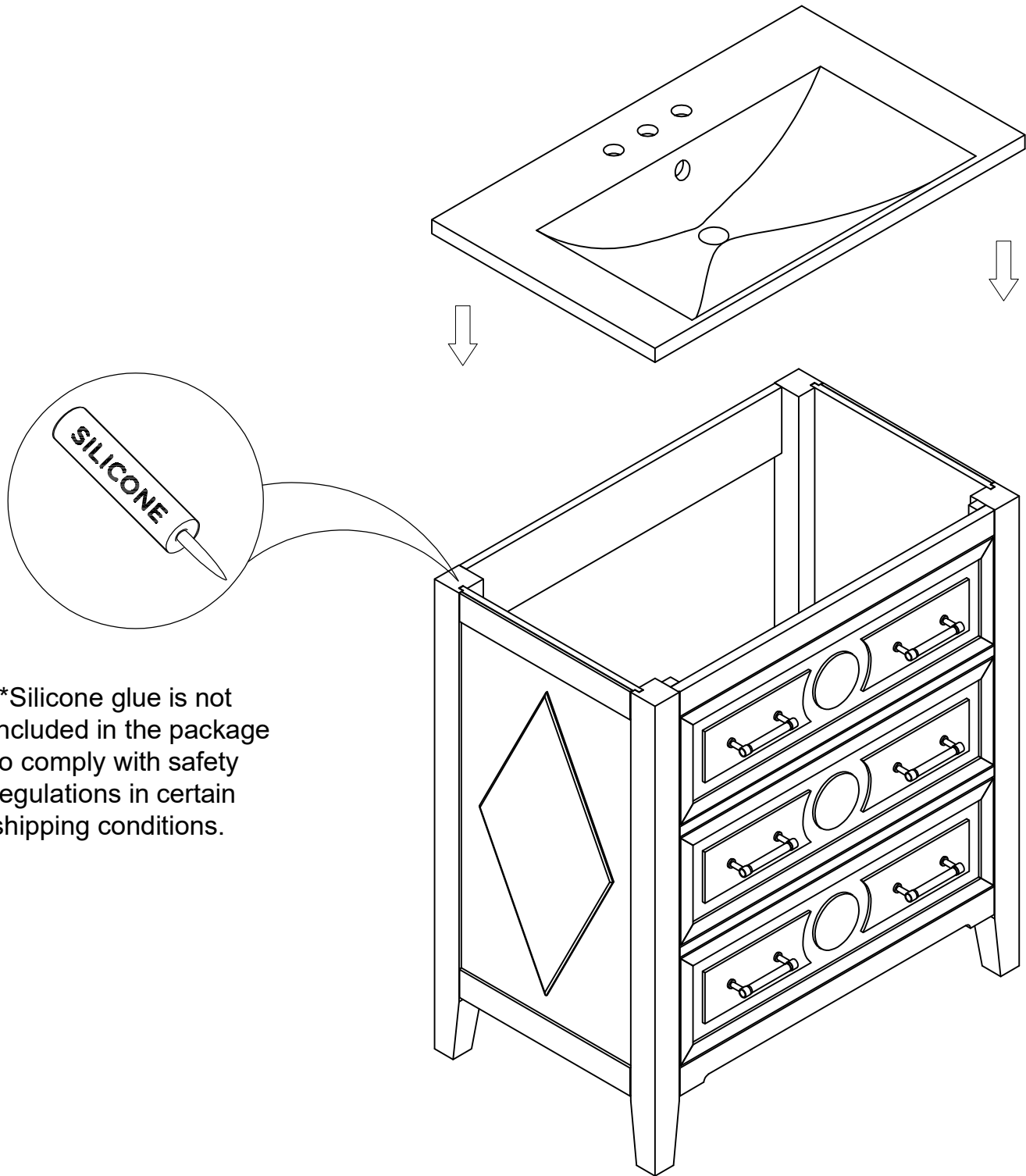


STEP: 14



STEP: 15

Install the sink on the cabinet with glue.
Let stand for 24 hours



*Silicone glue is not included in the package to comply with safety regulations in certain shipping conditions.

STEP: 16

