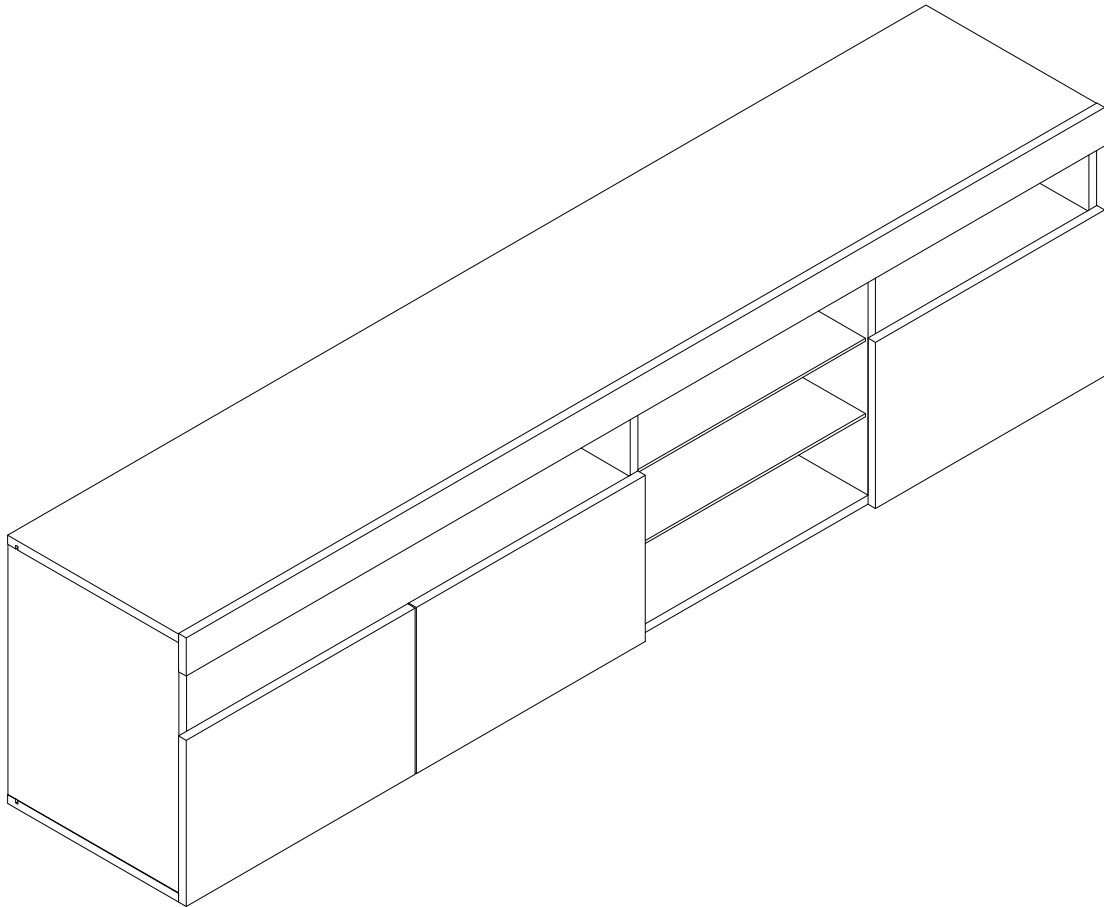


TV Cabinet

User Manual



PLEASE DO NOT RETURN TO STORE



**Please do not return this product to the retailer!!
We are able to assist you in ANY way**

If you find that you have any trouble with assembly or missing or damaged parts please contact the seller.



Safety and Care Advice

Important – Please read these instructions fully before starting assembly

- Check you have all the components and tools listed on the following pages.
- Remove all fittings from the plastic bags and separate them into their groups.
- Keep children and animals away from the work area, small parts could choke if swallowed.
- Make sure you have enough space to layout the parts before starting.

- During assembly do not stand or put weight on the product, this could cause damage.
- Assemble the item as close to its final position (in the same room) as possible.
- Assemble on a soft level surface to avoid damaging the unit or your floor.
- Parts of the assembly will be easier with 2 people.



power drill is set on a low torque setting.

- To reduce the likelihood of damaging your product please ensure that your

Care and maintenance

- Only clean using a damp cloth and mild detergent, do not use bleach or abrasive cleaners.
- From time to time check that there are no loose screws on this unit.
- This product should not be discarded with household waste. Take to your local authority waste disposal centre.

Handy Hints

- Assemble all parts and bolts loosely during assembly, only once the product is complete should you fully tighten the bolts
- Regularly check and ensure That all bolts and fittings are tightend properly.

WARNING
In order to help prevent overturning –
please follow these instructions

To help prevent product toppling over please follow the below steps:-

- Use the anti tip stap or wall fixing method provided (if applicable)
- Do not allow children to climb or hang on the furniture
- Do not open more than one drawer at a time
- Do not place heavy items in the top drawers
- Do not place heavy items on top of the furniture, unless the furniture has been designed for this purpose

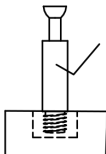
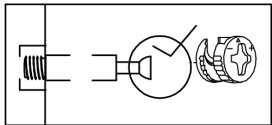
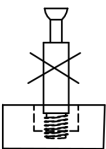
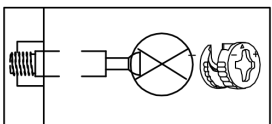
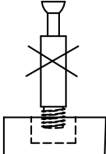
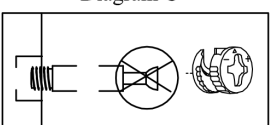
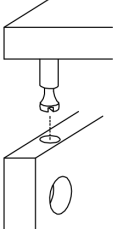
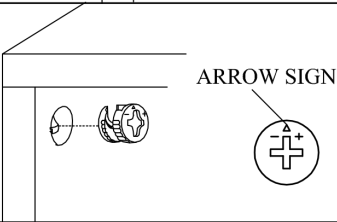
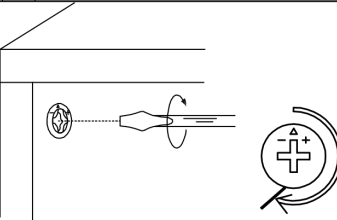
Before Installation

Important – Please read these instructions fully before starting assembly

Thank you for purchasing this quality product. Be sure to check all packing materials carefully for small parts, which may have come loose inside the carton during shipment. Identify and count all items according to the PARTS LIST and/or HARDWARE LIST shown below. Check you have all the components and tools listed on the following pages.

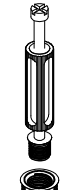
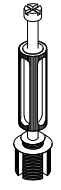
- We recommend that you assemble this product with the assistance of another person; this will make the assembly easier, and will help eliminate damage to the product or injury to persons during assembly.
- Please do not over tighten screws or bolts until the assembly is completed.
- Keep children and animal away from the work area, small parts could choke if swallowed.
- Please put all parts on a non-abrasive floor before assembly, and follow the assembly steps to assemble your newly purchased product correctly and efficiently.

Cam Lock Assembly Instructions

	<p>Diagram A</p> 	<p>Insert Cam Bolt into hole as shown in diagram A.</p>
	<p>Diagram B</p> 	<p>Make sure not to insert the Cam Bolt: Too deep as shown in figure B as this will cause the Cam Lock to be misaligned and unable to interlock properly.</p>
	<p>Diagram C</p> 	<p>Also avoid inserting the Cam Bolt too close to the surface of the hole as shown in figure C, as this will cause the Cam Lock to be too loose, and not interlock properly.</p>
		<p>Connect the panels together.</p>
	<p>ARROW SIGN</p>	<p>Insert the Cam Lock so the side opening fits over the head of the Cam Bolt.</p>
		<p>To tighten the Cam Lock, turn it clockwise on half a turn with a flat screwdriver. <i>*Do not use an automatic screwdriver as it may bend or break if too much power is imposed.</i></p>

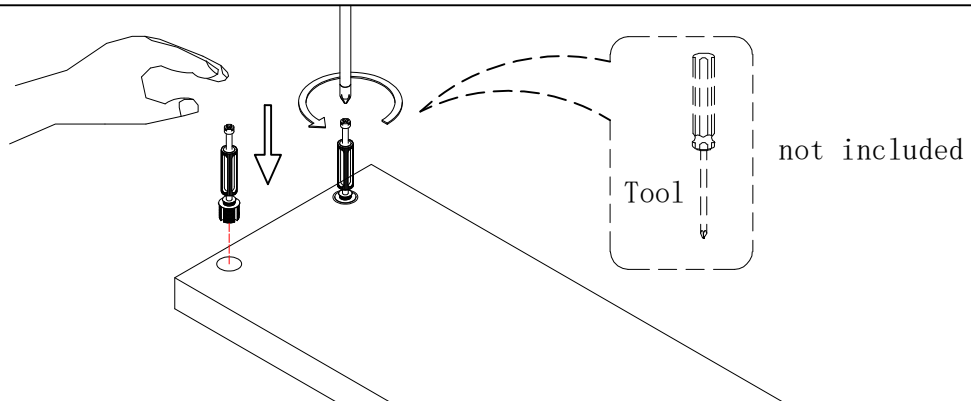
Using Camlocks

Step 1

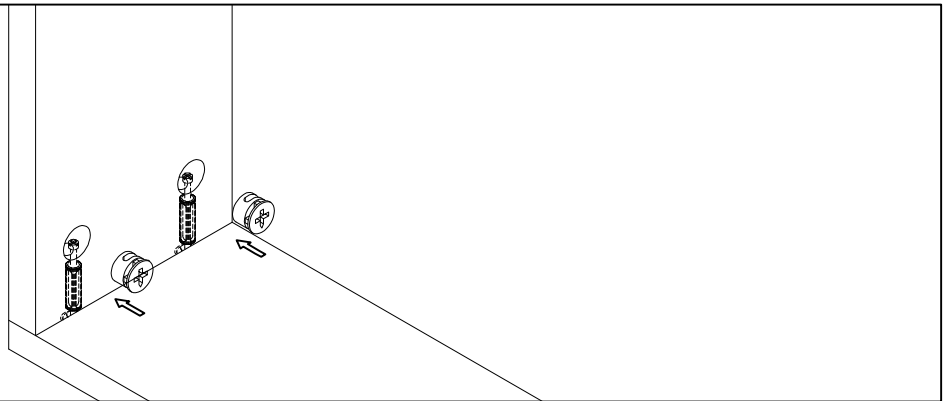


This part cannot be separated,
please install in strict
accordance with the assembly
requirements

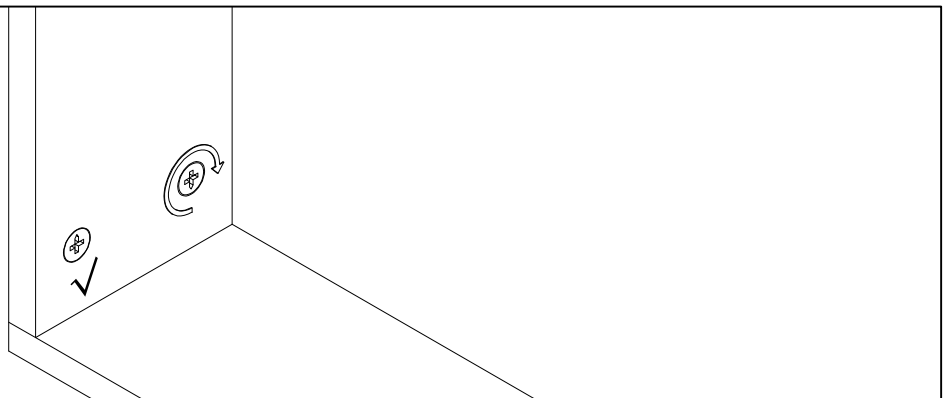
Step 2



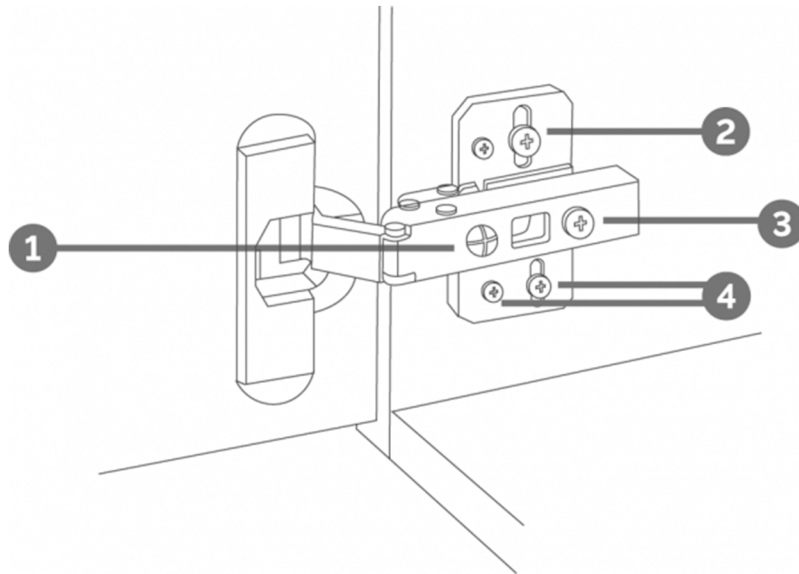
Step 3



Step 4

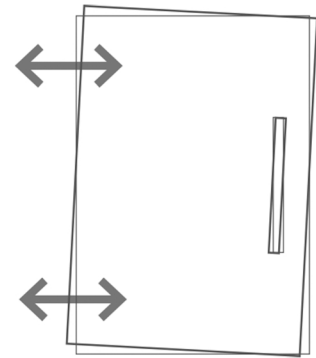


HINGE ADJUSTMENTS



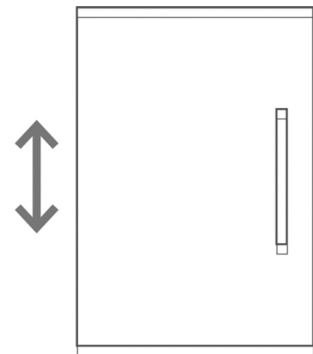
1 Sideways / Tilt adjustment

Turn the screw
clockwise to move the door further away from
the side of the cabinet
anticlockwise to move the door closer to the
side of the cabinet



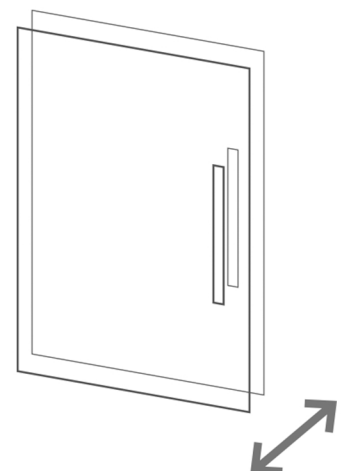
2 4 Height adjustment

While supporting the weight of the door, turn the
screws
clockwise to move the door up
anticlockwise to move the door down



3 Forward and back adjustment

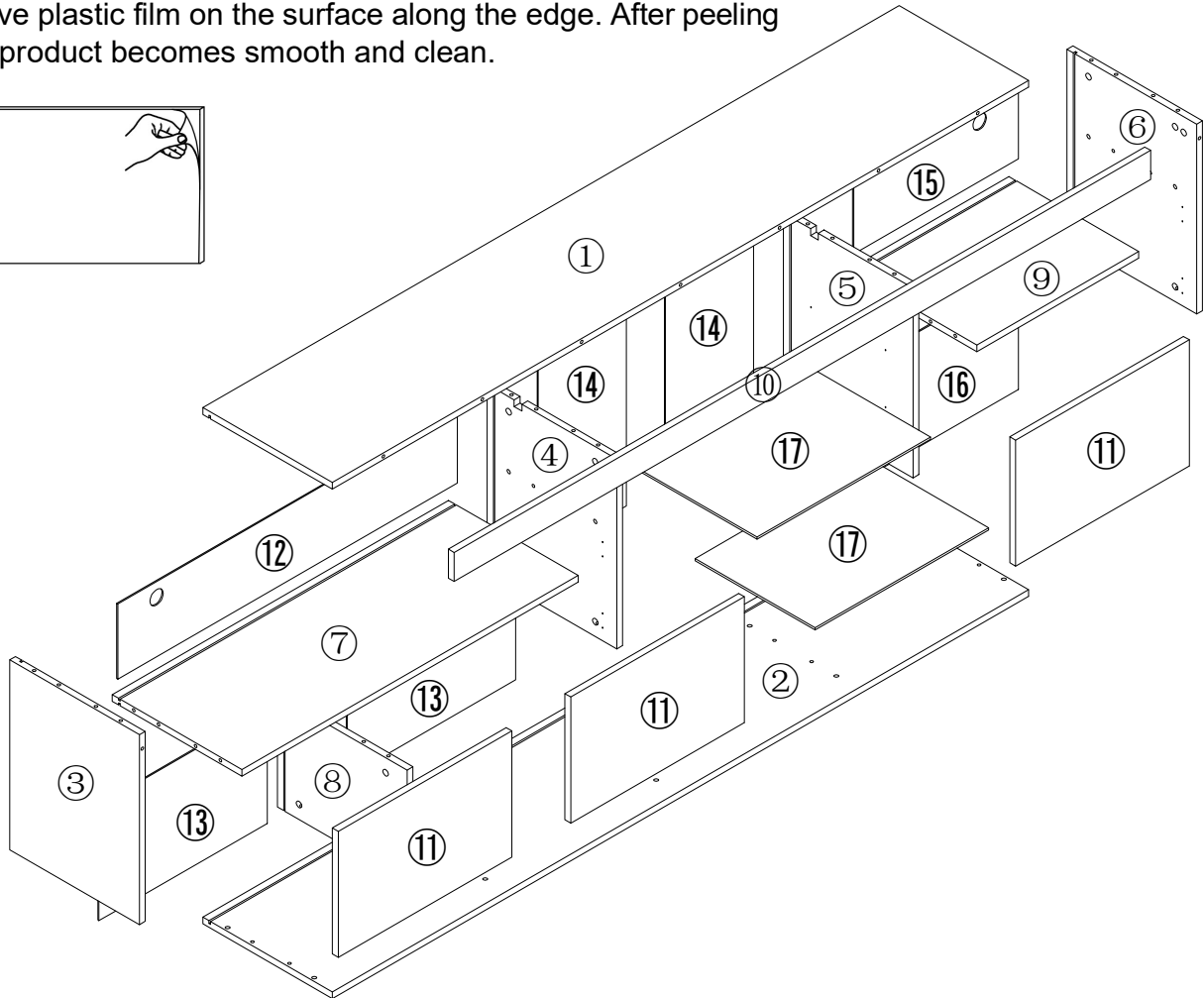
If the gap between the back of the door and the
cabinet is too small, and the door may not close
fully. Turn the screw
clockwise to decrease the gap between the
door and the cabinet
anticlockwise to increase the gap between the
door and the cabinet



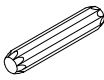
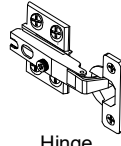
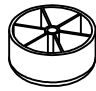


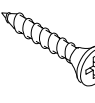
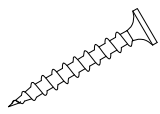

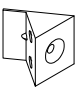




Components -Fittings

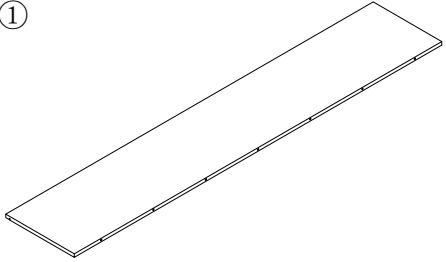
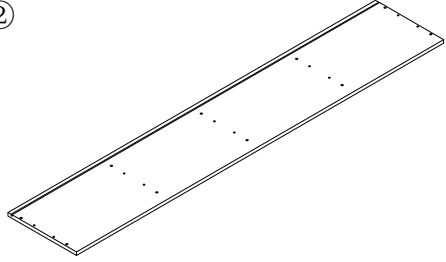
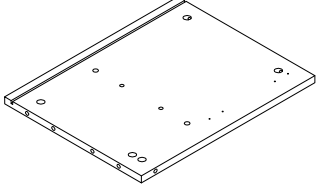
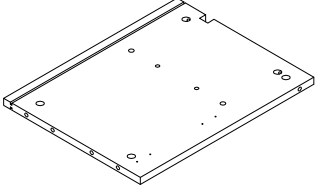
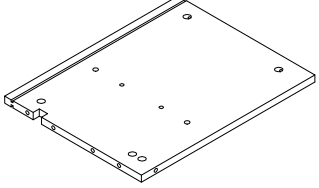
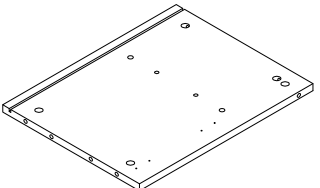
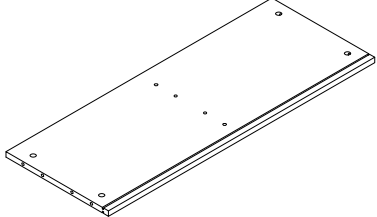
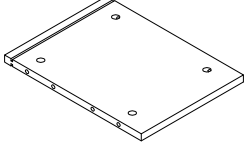
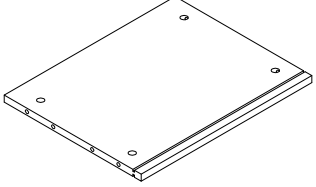
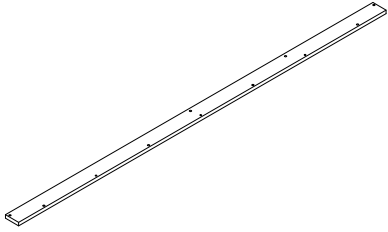
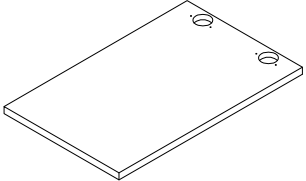
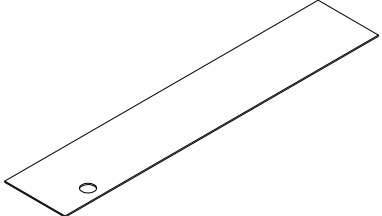
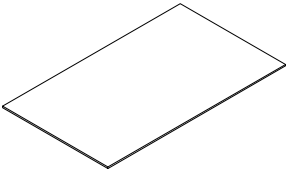
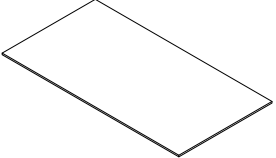
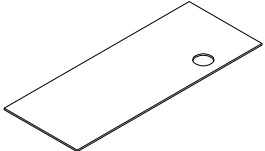
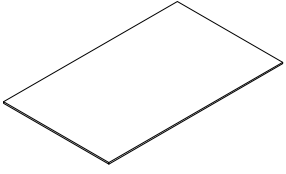
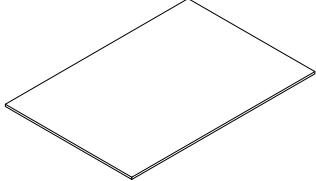
PLEASE NOTE: Part number 10 Part number 11 are covered with a tight plastic protective film.

If there are scratches on the product after disassembly, please don't worry, it's not product damage. Please slowly tear off the protective plastic film on the surface along the edge. After peeling off, the product becomes smooth and clean.



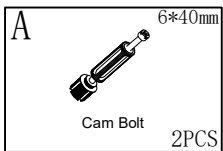
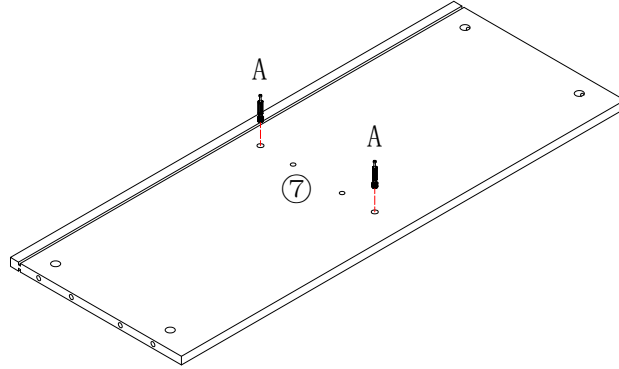
A  6*40mm Cam Bolt 36+2PCS	B  14*11mm Cam Lock 36+2PCS	C  8*40mm Dowel 31+2PCS	D  Hinge 6PCS	E  Foundation 5PCS
F  Glass Holder 8PCS	G  3*12mm Screw 24+2PCS	H  3.5*14mm Screw 44+2PCS	I  3.5*35mm Screw 5PCS	J  Dowel Bar L=423mm 1PC
K  Backboard Clamp 24+2PCS	L  Screw Hole Cover 36+2PCS	M  LED Lamp 1PC		

Components -Fittings

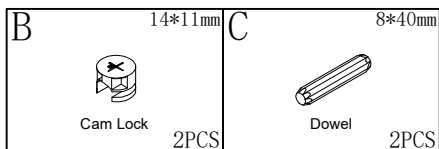
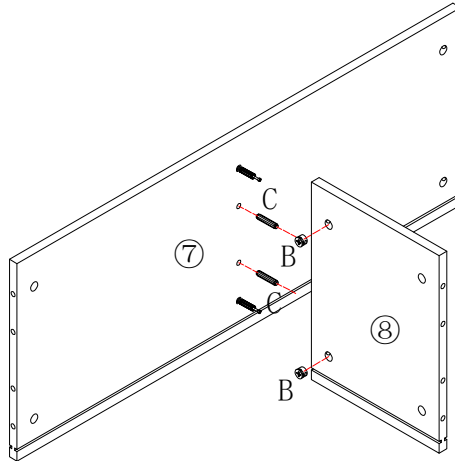
<p>①</p>  <p>1800*335 1 PC</p>	<p>②</p>  <p>1800*335 1 PC</p>	<p>③</p>  <p>425*335 1 PC</p>
<p>④</p>  <p>425*335 1 PC</p>	<p>⑤</p>  <p>425*335 1 PC</p>	<p>⑥</p>  <p>425*335 1 PC</p>
<p>⑦</p>  <p>869*335 1 PC</p>	<p>⑧</p>  <p>250*335 1 PC</p>	<p>⑨</p>  <p>418*335 1 PC</p>
<p>⑩</p>  <p>1800*65 1 PC</p>	<p>⑪</p>  <p>449*282 3 PCS</p>	<p>⑫</p>  <p>168*877 1 PC</p>
<p>⑬</p>  <p>258*435 2 PCS</p>	<p>⑭</p>  <p>433*228 2 PCS</p>	<p>⑮</p>  <p>168*426 1 PC</p>
<p>⑯</p>  <p>258*426 1 PC</p>	<p>⑰</p>  <p>448*310 2 PCS</p>	

Assembly Instructions

Step 1

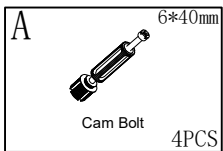
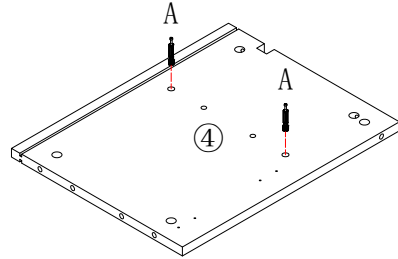
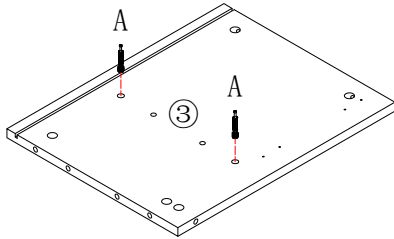


Step 2

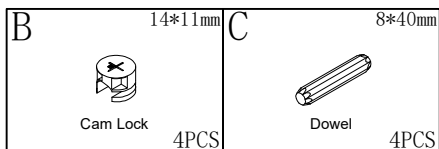
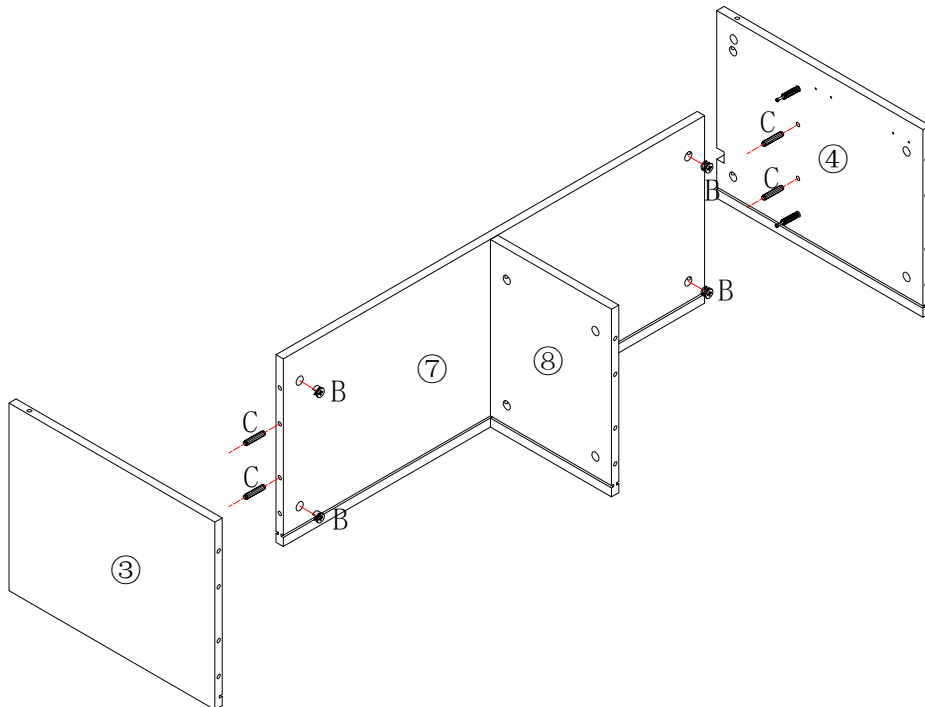


Assembly Instructions

Step 3

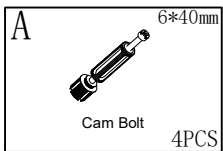
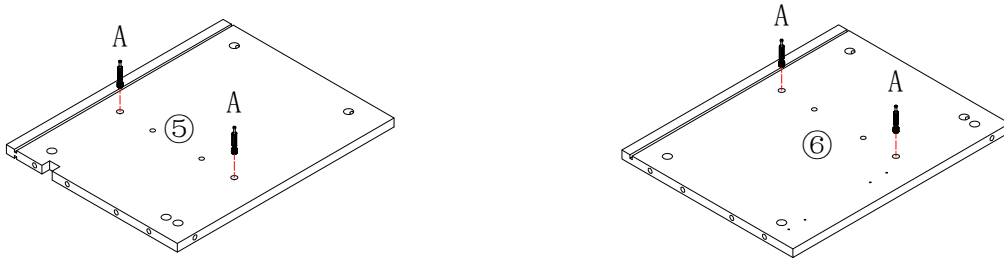


Step 4

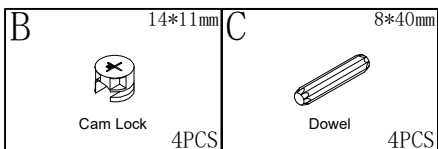
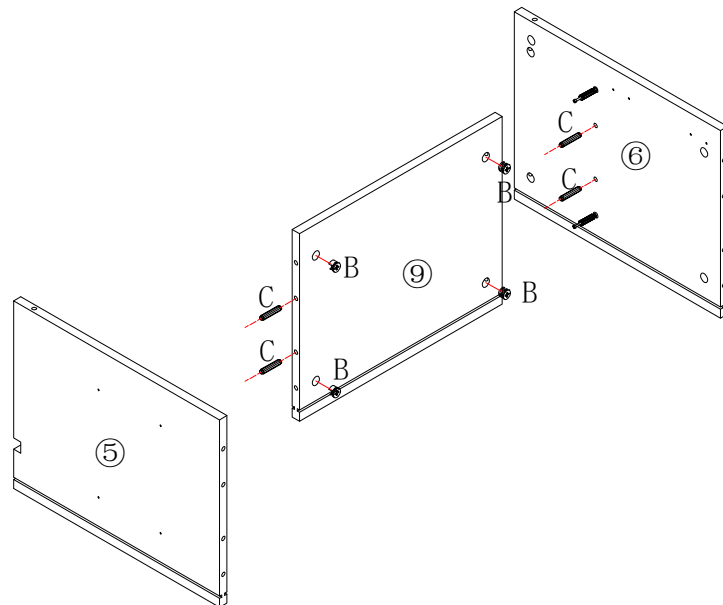


Assembly Instructions

Step 5

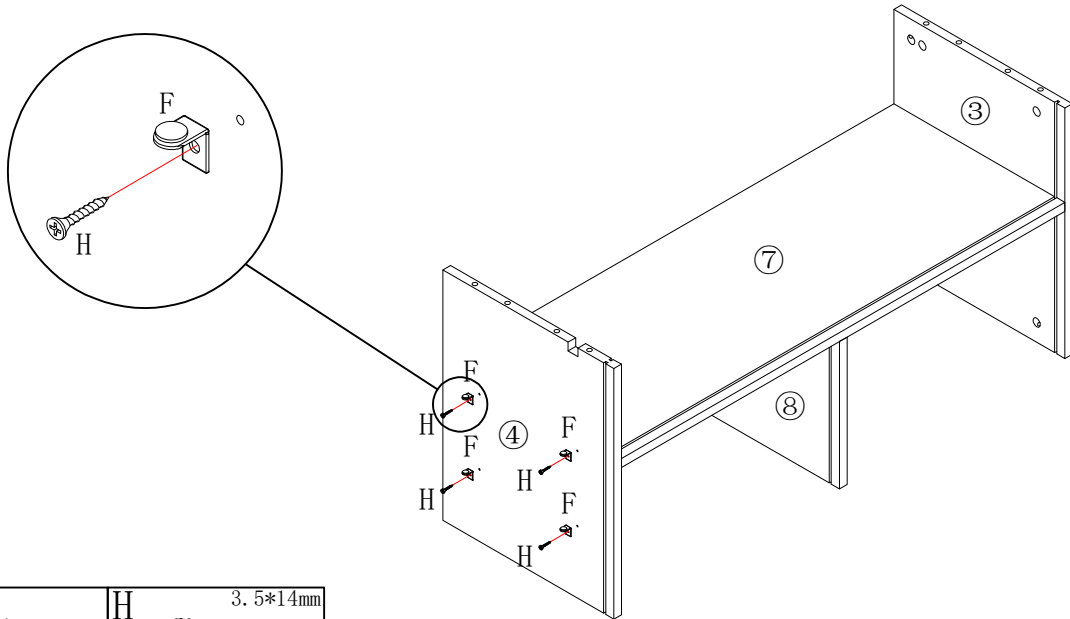



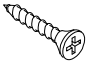
Step 6



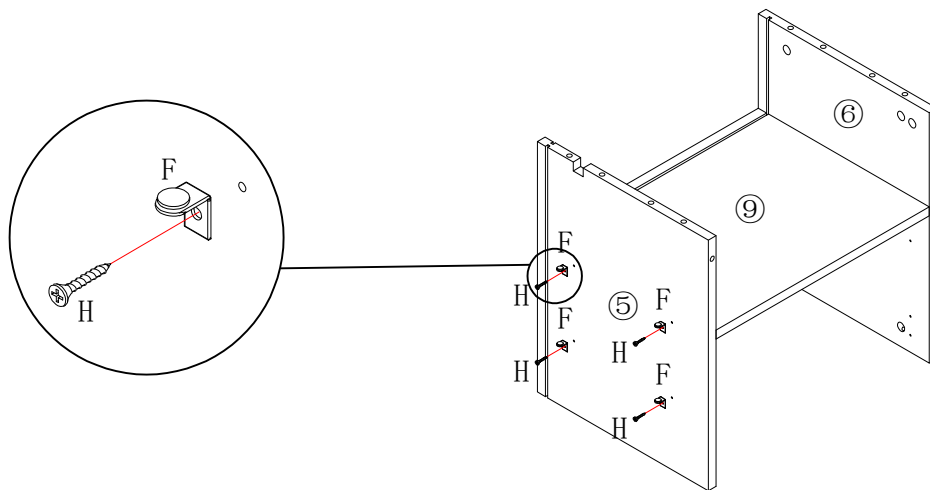
Assembly Instructions

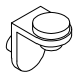
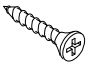
Step 7



F  Glass Holder 4PCS	H  Screw 4PCS 3.5*14mm
--	---

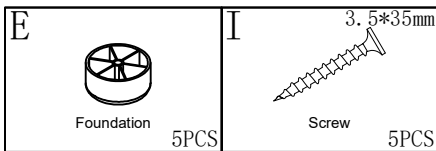
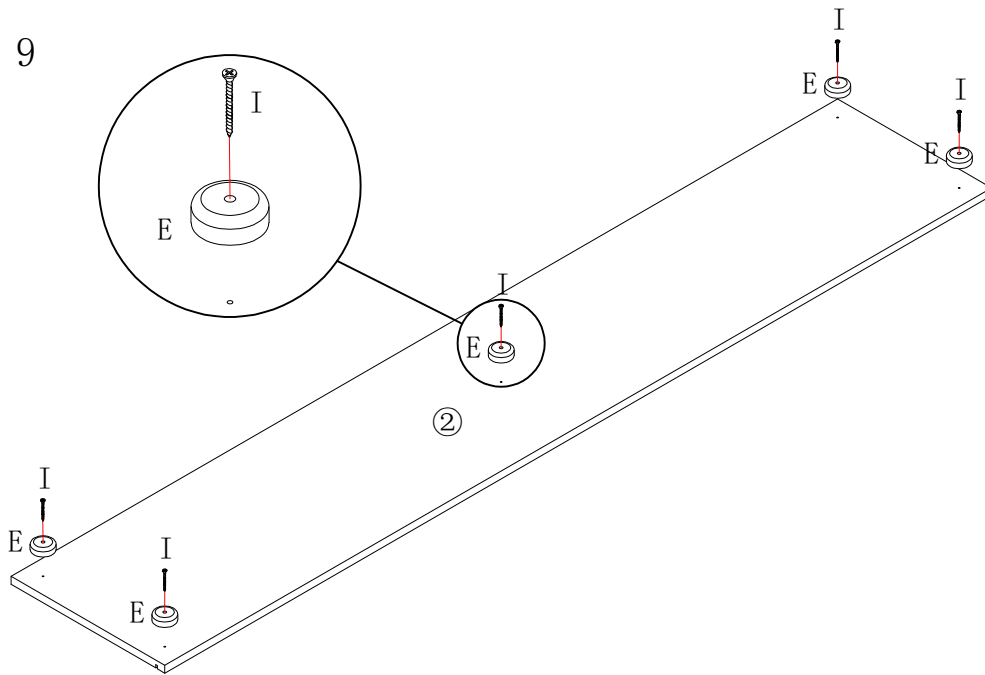
Step 8



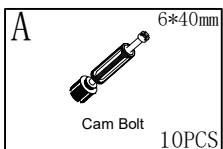
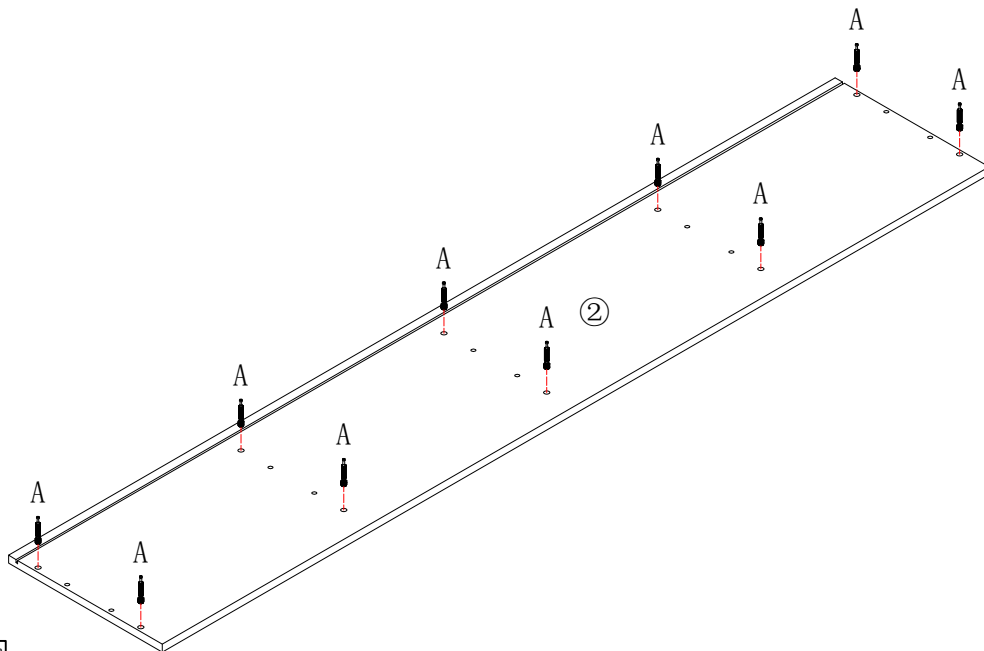
F  Glass Holder 4PCS	H  Screw 4PCS 3.5*14mm
---	--

Assembly Instructions

Step 9

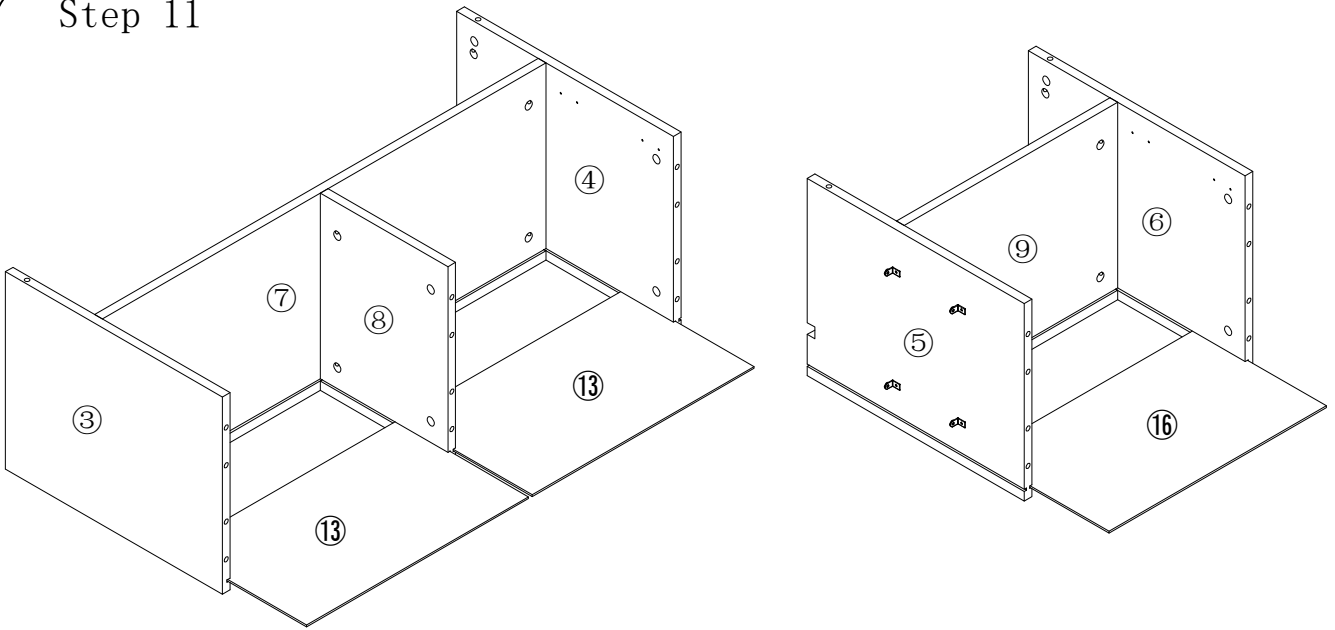


Step 10

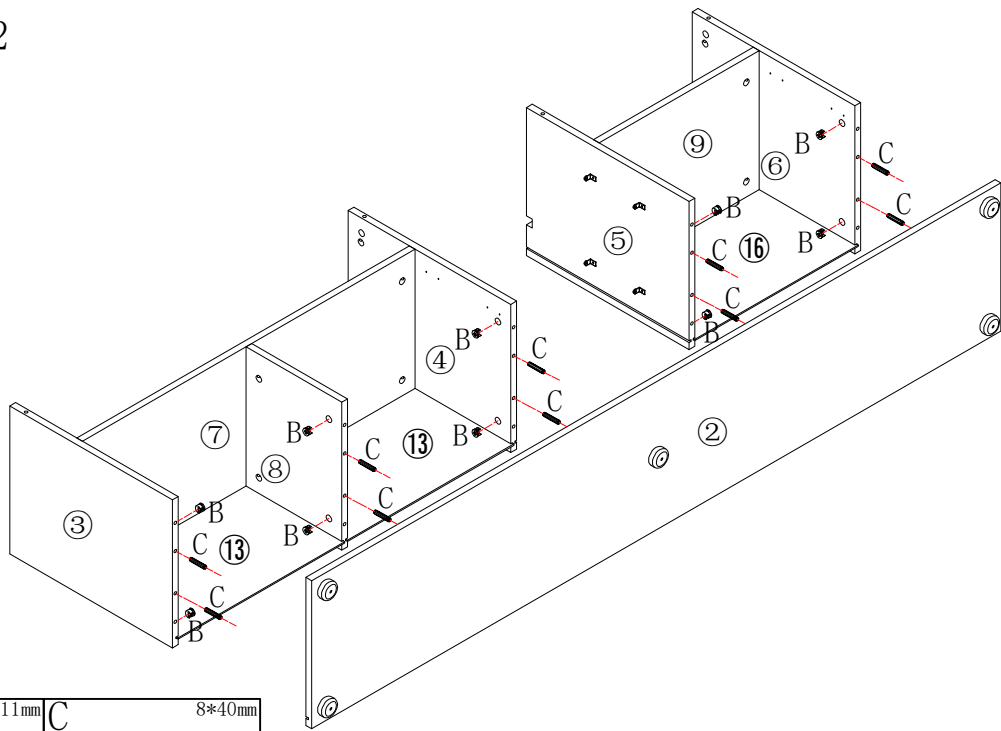



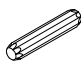
Assembly Instructions

Step 11



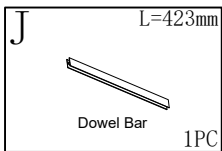
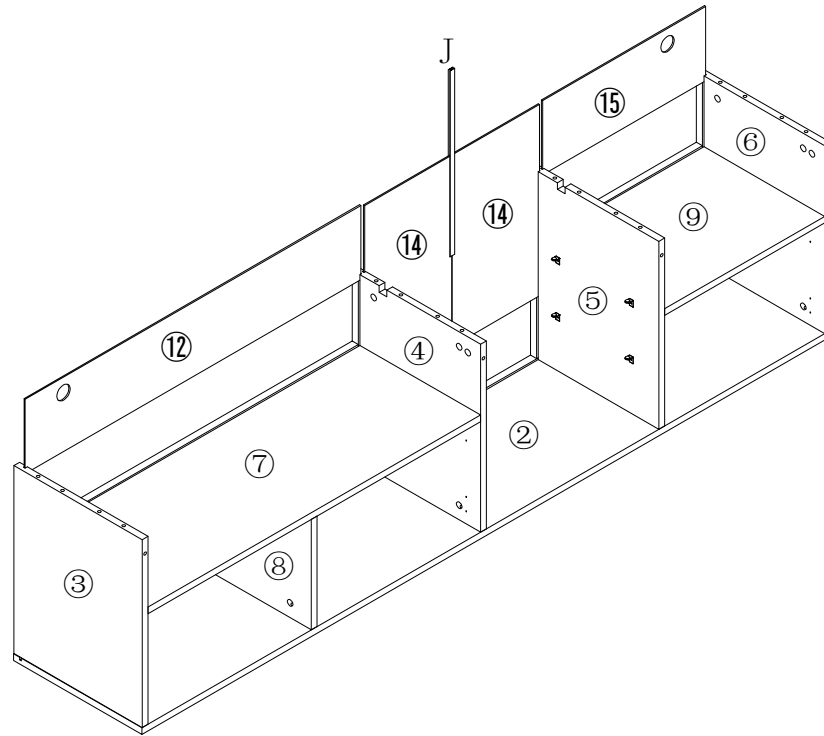
Step 12



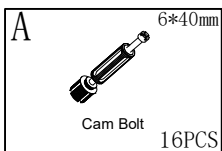
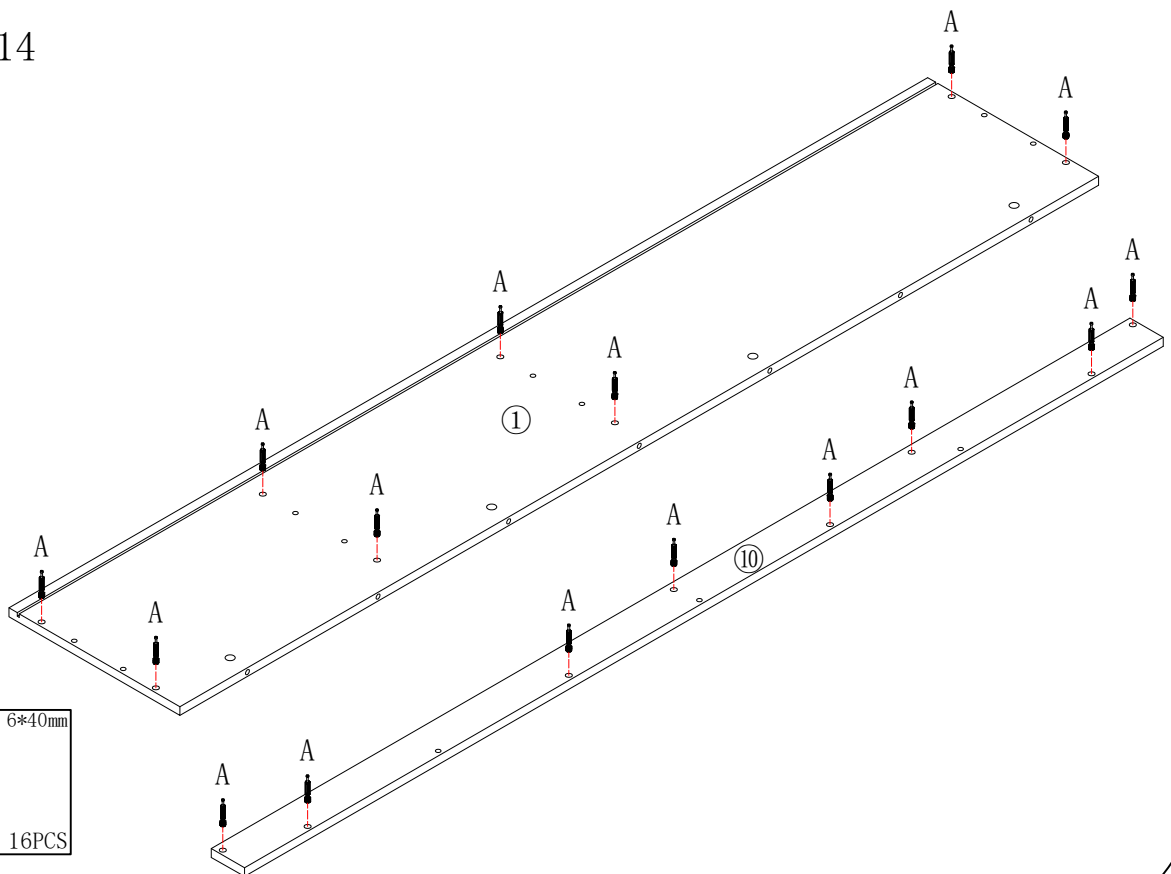
B	14*11mm	C	8*40mm
			
Cam Lock	10PCS	Dowel	10PCS

Assembly Instructions

Step 13

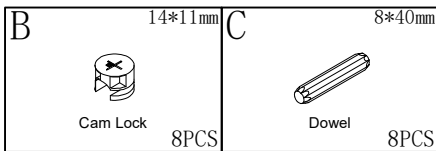
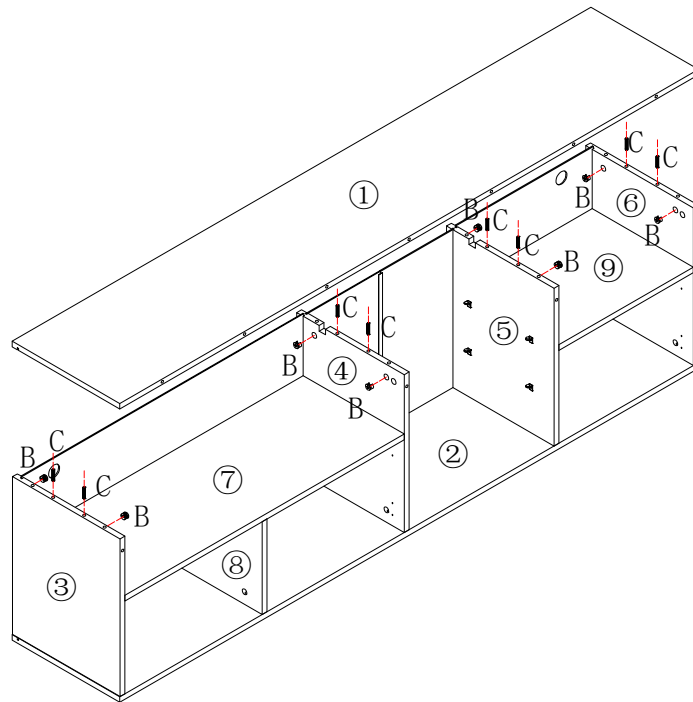


Step 14



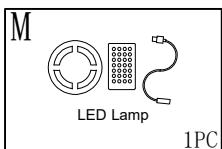
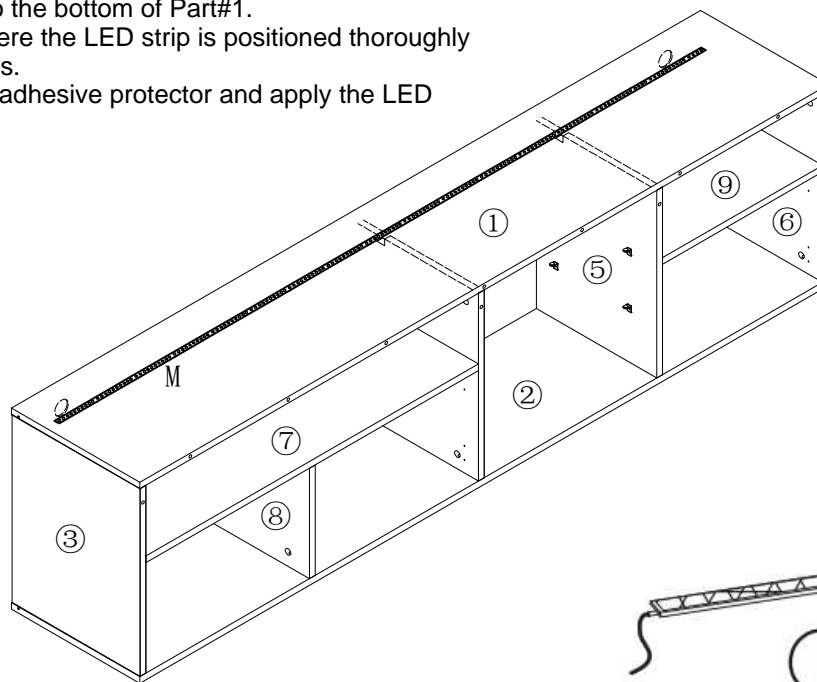
Assembly Instructions

Step 15



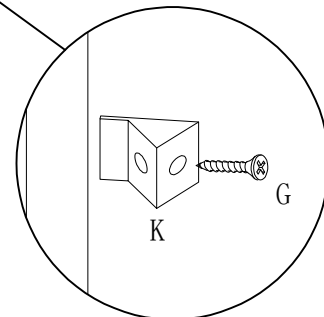
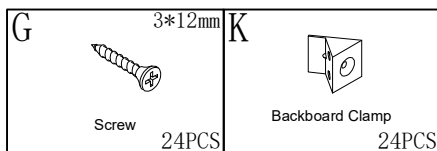
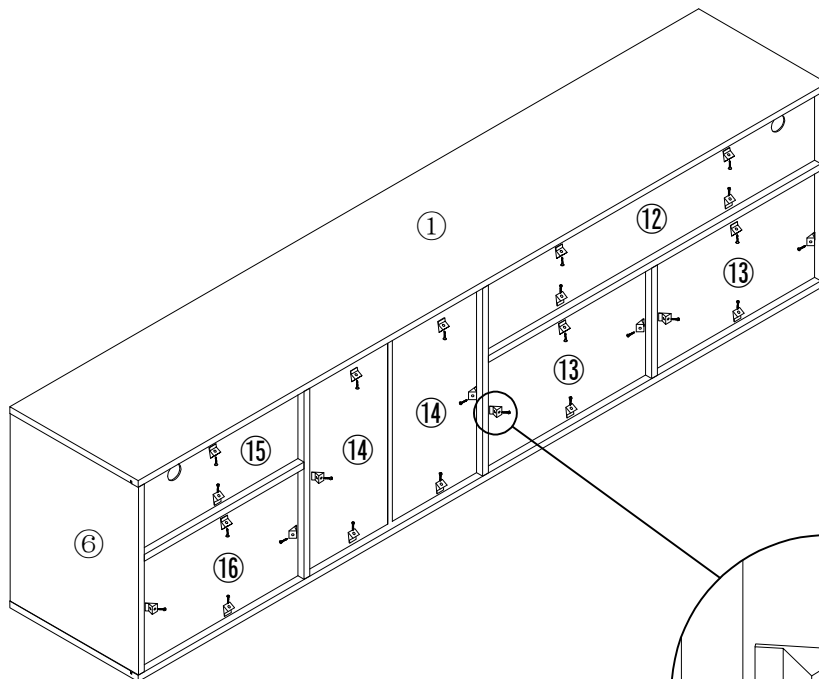
Step 16

Apply the LED strip to the bottom of Part#1.
Clean the surface where the LED strip is positioned thoroughly
of any dust or particles.
Carefully remove the adhesive protector and apply the LED
strip to the cabinet.

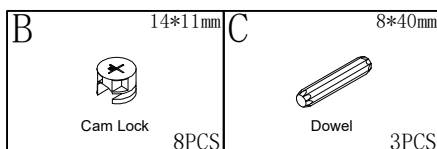
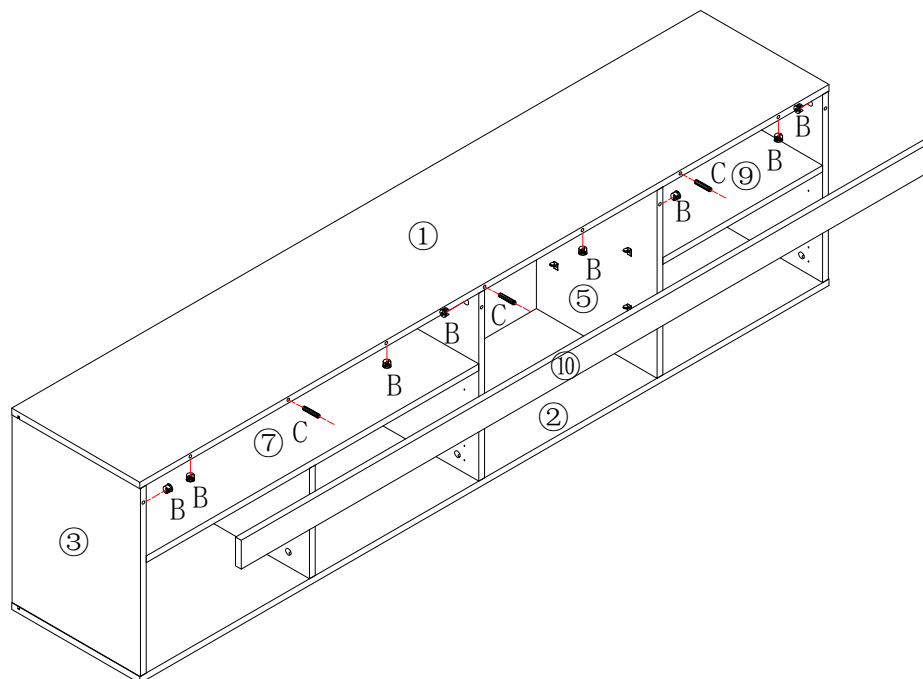


Assembly Instructions

Step 17

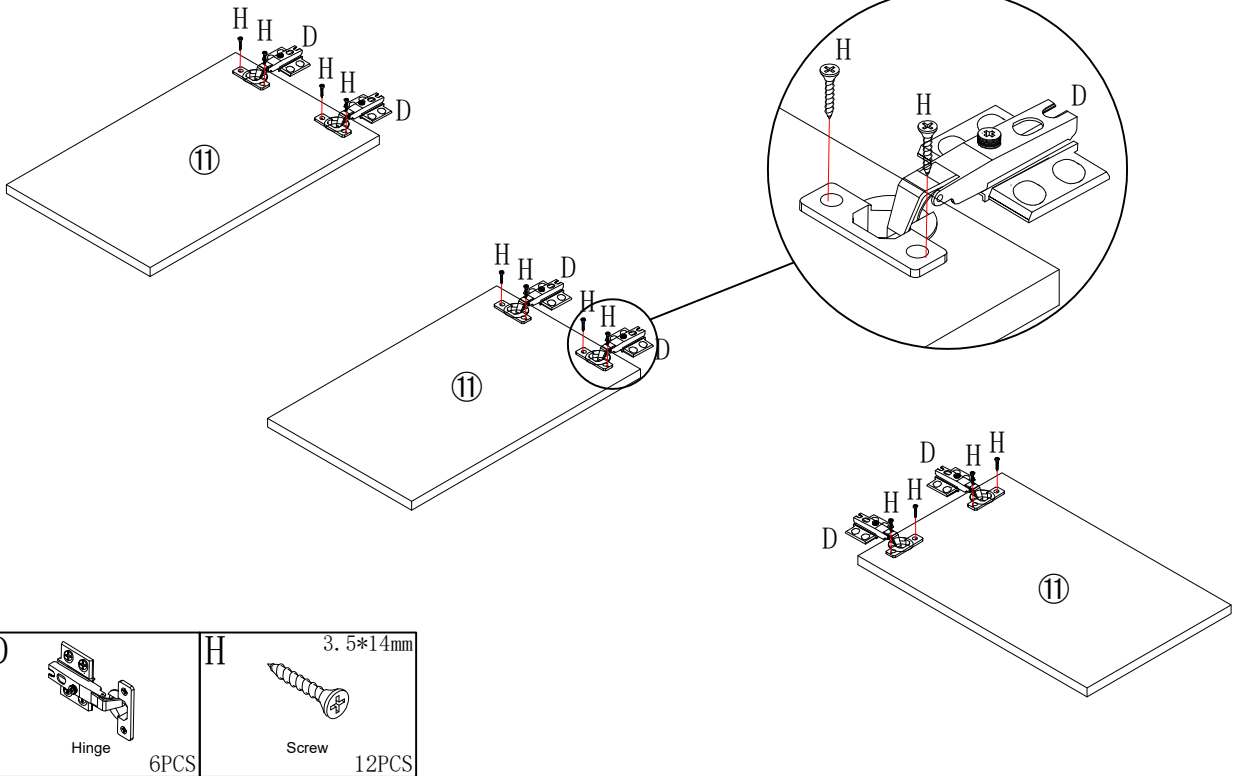


Step 18

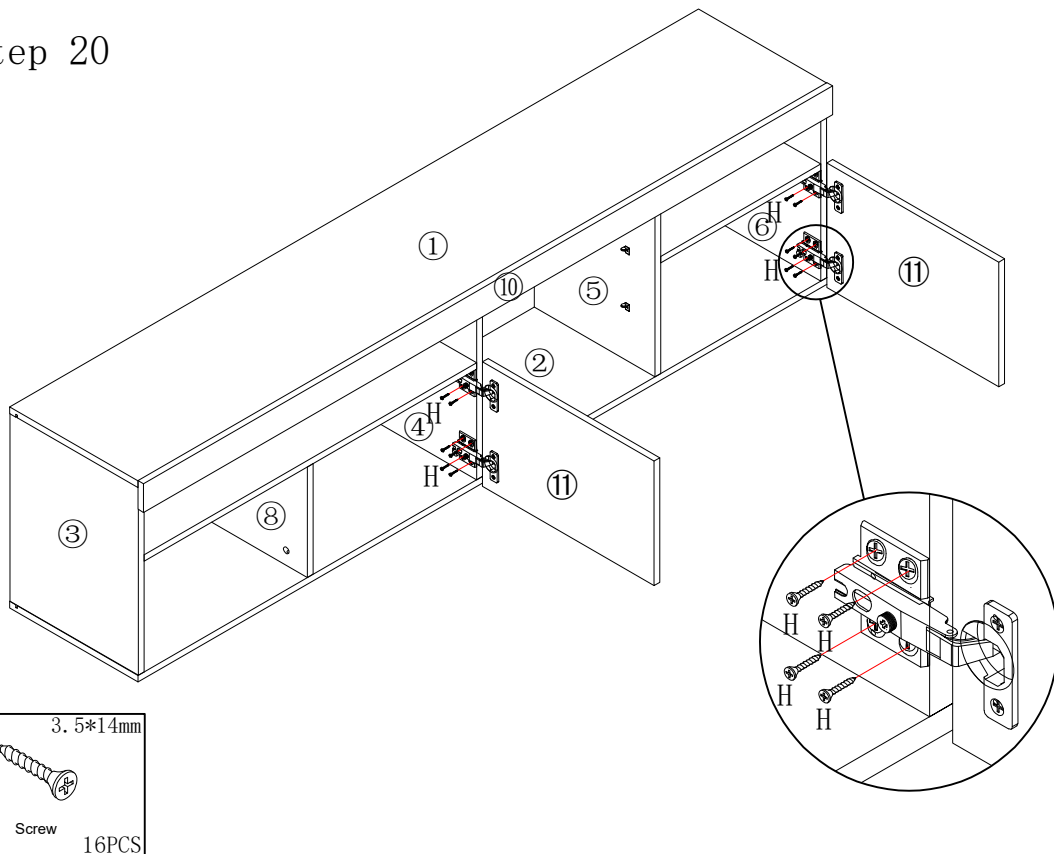


Assembly Instructions

Step 19

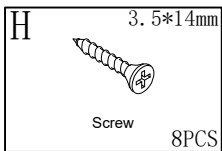
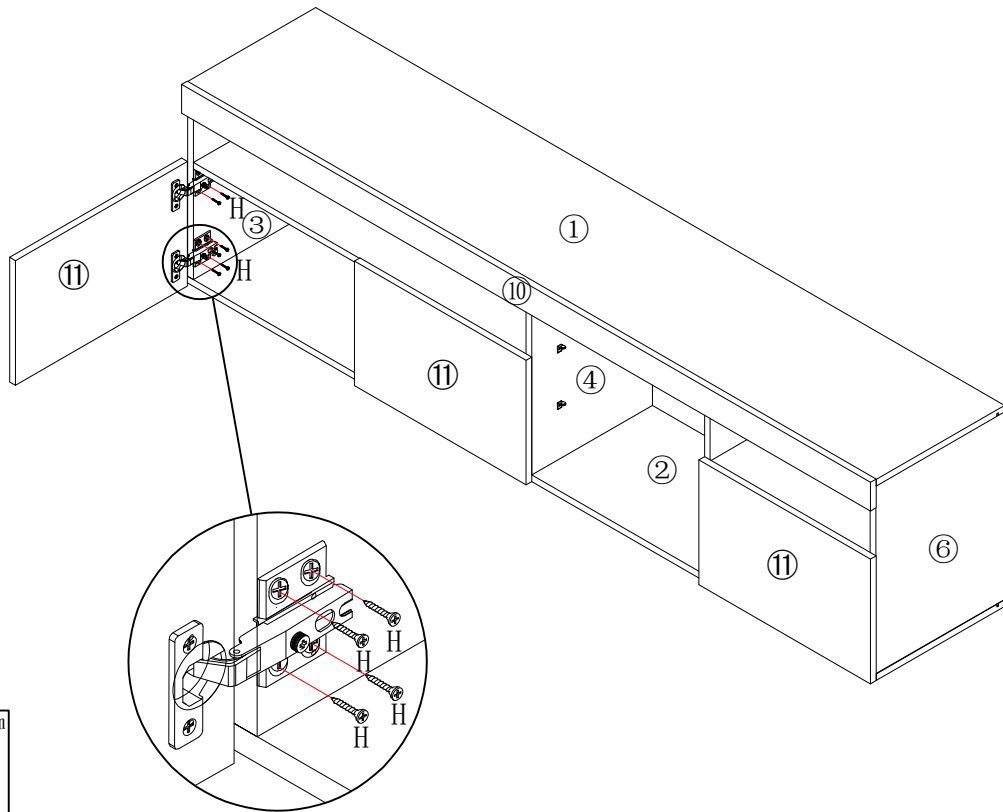


Step 20

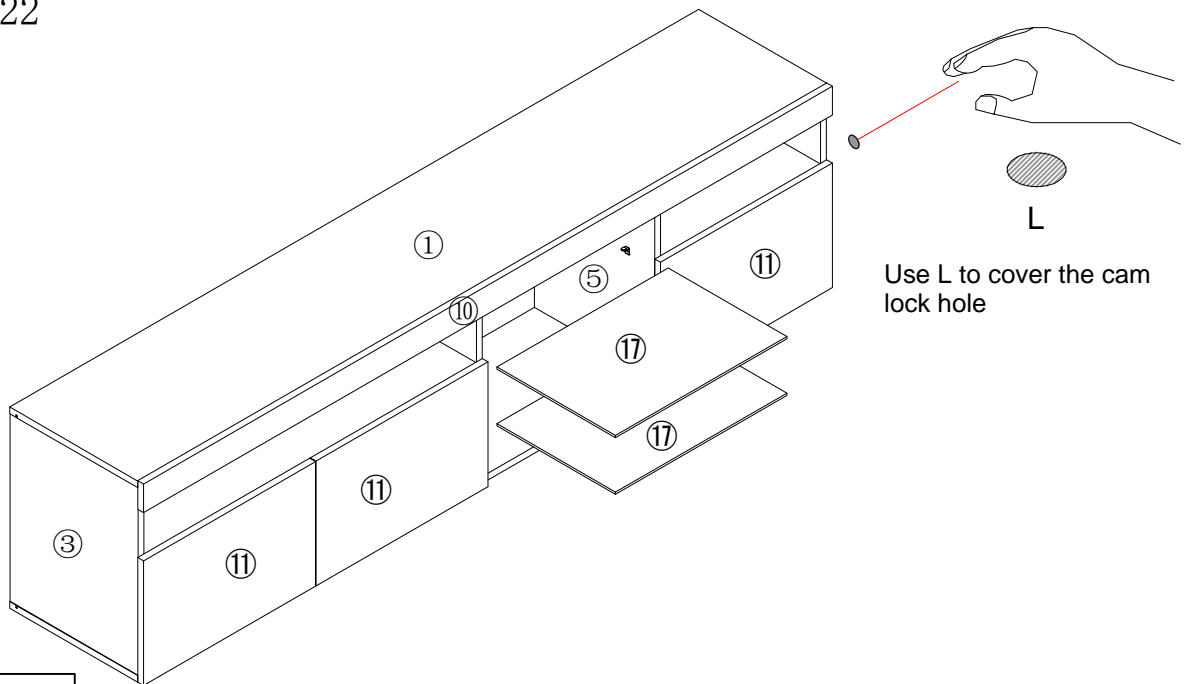


Assembly Instructions

Step 21



Step 22

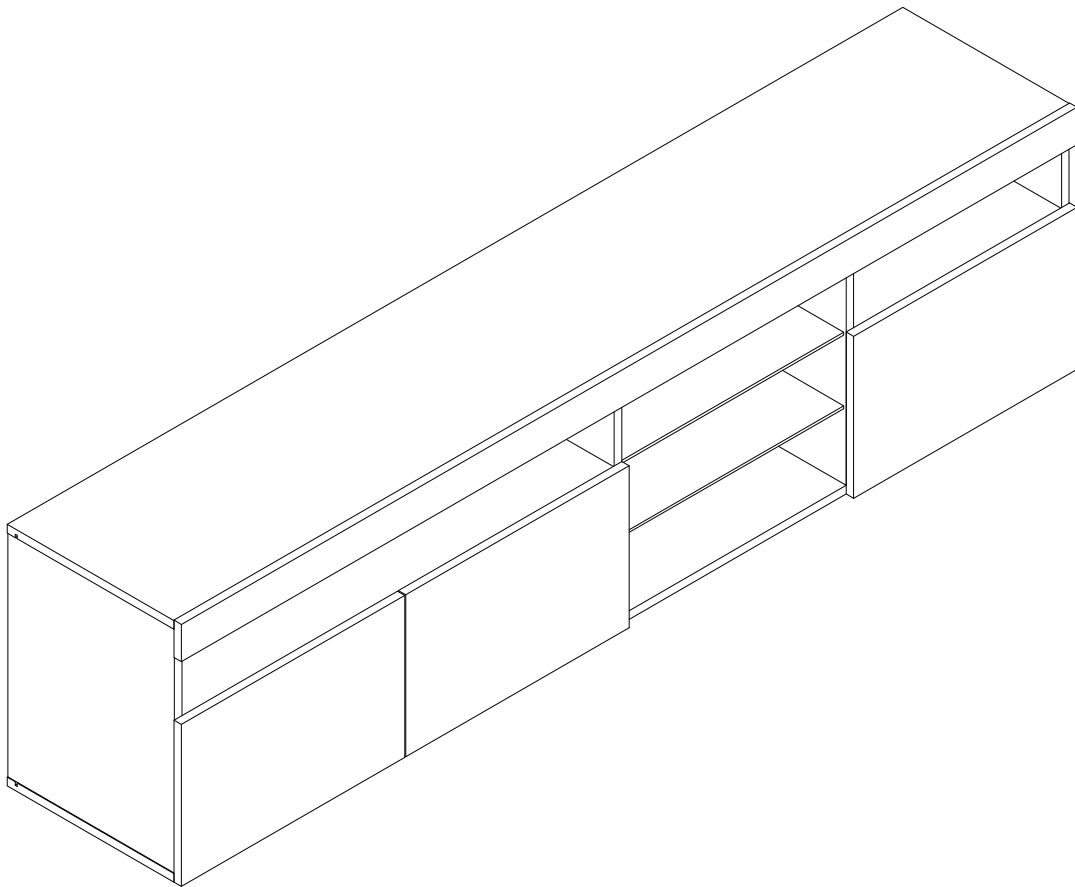


Assembly Instructions

Step 23

PLEASE NOTE: Part number 10 Part number 11 are covered with a tight plastic protective film.

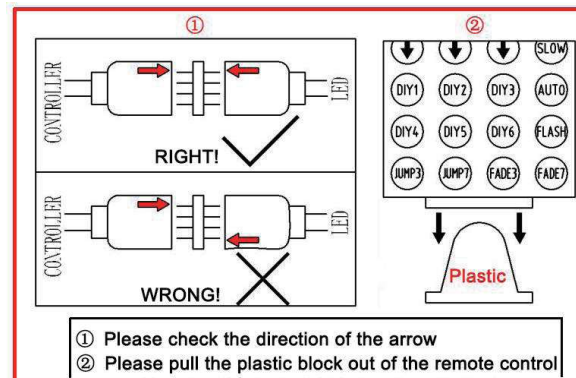
If there are scratches on the product after disassembly, please don't worry, it's not product damage. Please slowly tear off the protective plastic film on the surface along the edge. After peeling off, the product becomes smooth and clean.



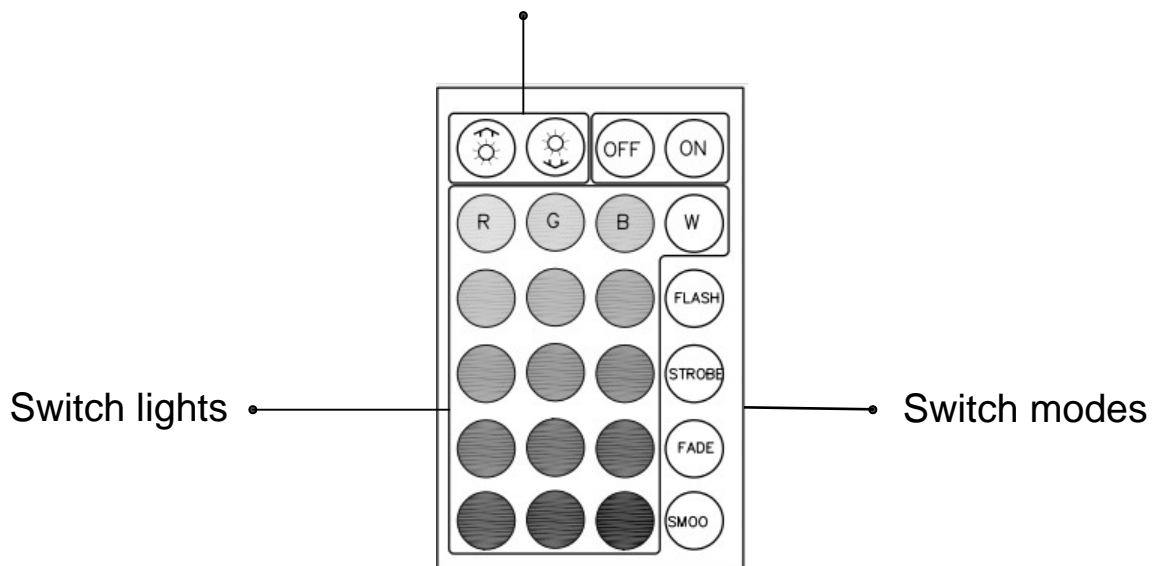
LED Light

How to fix LED strip lights not working:

1. Make sure the arrows on the female and male connector are aligned.
2. Make sure the plastic inserted into the remote control is removed before using it.
3. The remote control only works within a certain range only. Don't use the remote control from a faraway distance.
4. Point the remote control at the receiver, not the light strip.



Note: These two buttons are invalid because this product cannot adjust the brightness of the light.



Note: The remote control is compatible with CR2025 battery. Battery is NOT included in the package to comply with safety regulations in certain shipping conditions.