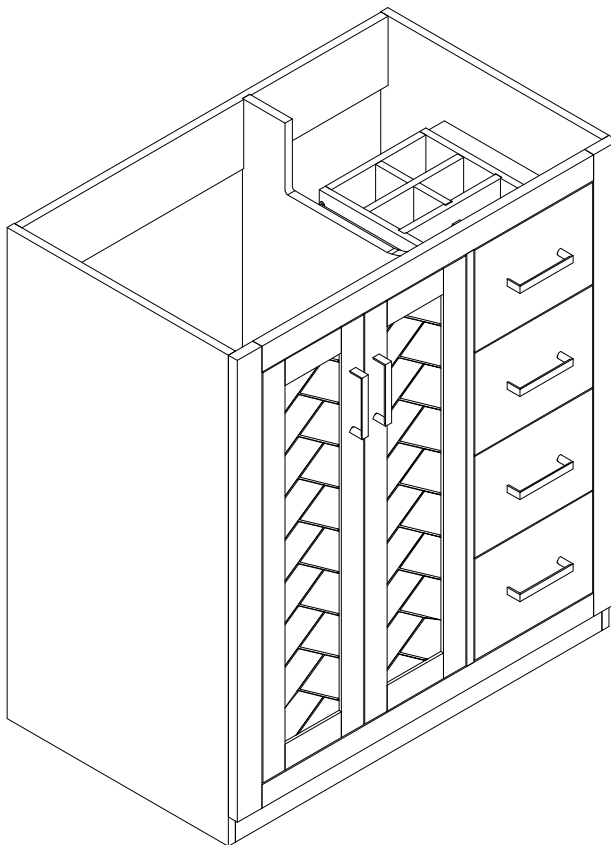


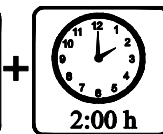
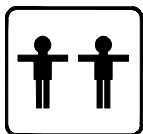
ASSEMBLY INSTRUCTIONS

30 INCH BATH VANITY-CABINET

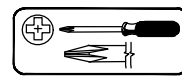


Thank you for purchasing this quality product. Be sure to check all packing material carefully for small parts which may have come loose inside the carton during shipment. Separate, identify and count all parts and hardware. Compare with the parts list to be sure all parts are present.
"DO NOT TIGHTEN SCREWS UNTIL COMPLETELY ASSEMBLED"

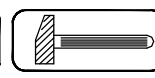
*** Use of power tool to assemble this product will invalidate any claim and damage this product making unsafe !!!**
*** Please assemble on a clean soft surface to avoid damage.**



Tools Required



(Not included)



(Not included)

IMPORTANT:

PLEASE READ INSTRUCTION BEFORE STARTING THE ASSEMBLY

PLEASE DO NOT RETURN TO STORE



**Please do not return this product to the retailer!!
We are able to assist you in ANY way**

If you find that you have any trouble with assembly or missing or damaged parts please contact the seller.

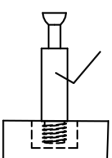
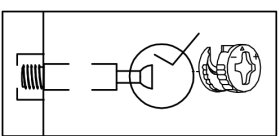
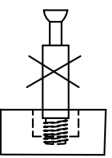
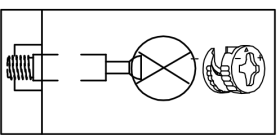
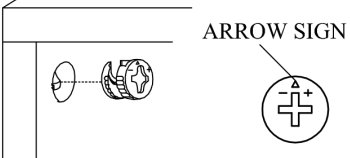
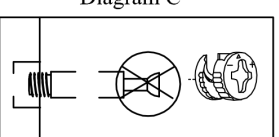
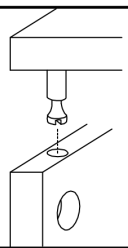
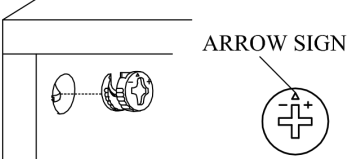
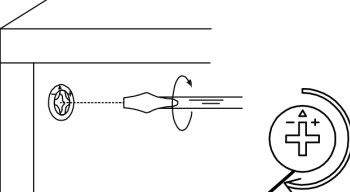
Before Installation

Important – Please read these instructions fully before starting assembly

Thank you for purchasing this quality product. Be sure to check all packing materials carefully for small parts, which may have come loose inside the carton during shipment. Identify and count all items according to the PARTS LIST and/or HARDWARE LIST shown below. Check you have all the components and tools listed on the following pages.

- We recommend that you assemble this product with the assistance of another person; this will make the assembly easier, and will help eliminate damage to the product or injury to persons during assembly.
- Please do not over tighten screws or bolts until the assembly is completed.
- Keep children and animal away from the work area, small parts could choke if swallowed.
- Please put all parts on a non-abrasive floor before assembly, and follow the assembly steps to assemble your newly purchased product correctly and efficiently.

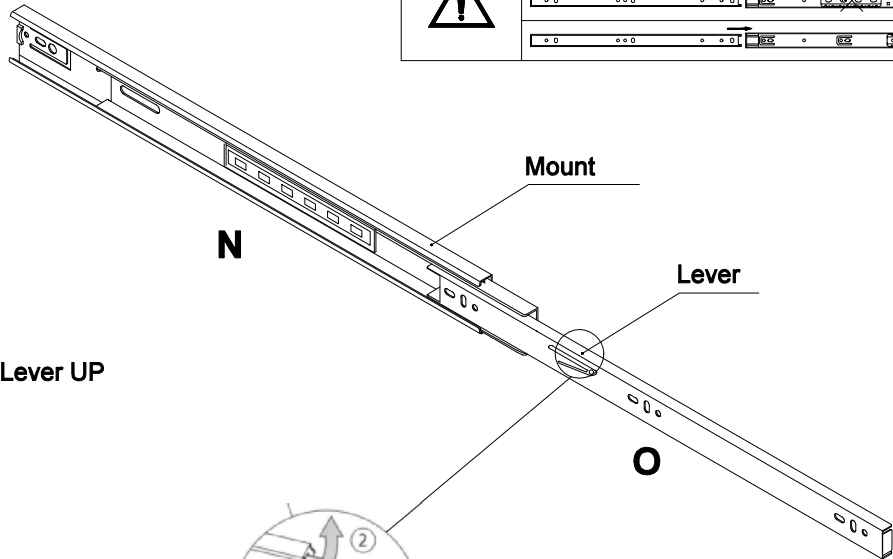
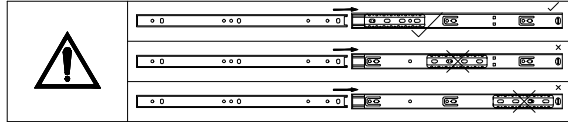
Cam Lock Assembly Instructions

		Diagram A	Insert Cam Bolt into hole as shown in diagram A.
		Diagram B	Make sure not to insert the Cam Bolt: Too deep as shown in figure B as this will cause the Cam Lock to be misaligned and unable to interlock properly.
		Diagram C	Also avoid inserting the Cam Bolt too close to the surface of the hole as shown in figure C, as this will cause the Cam Lock to be too loose, and not interlock properly.
			Connect the panels together.
	ARROW SIGN		Insert the Cam Lock so the side opening fits over the head of the Cam Bolt.
			To tighten the Cam Lock, turn it clockwise on half a turn with a flat screwdriver. <i>*Do not use an automatic screwdriver as it may bend or break if too much power is imposed.</i>

Before installing the slide, separate the cabinet member and the drawer member.

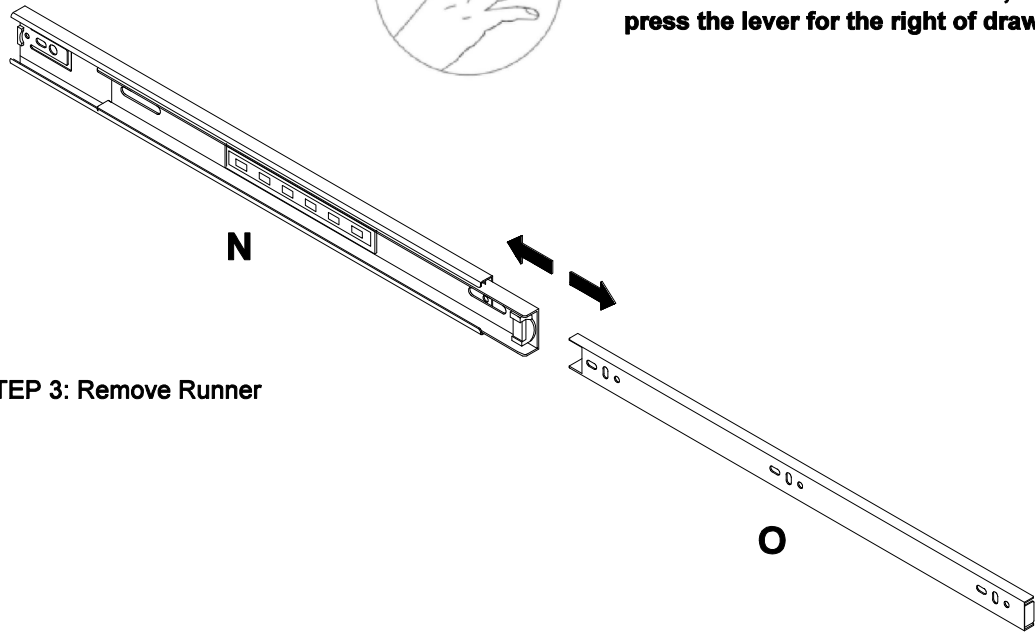
**Pay attention when connecting !
The sliding module must be at the front end.**

STEP 1 : Extend Slide



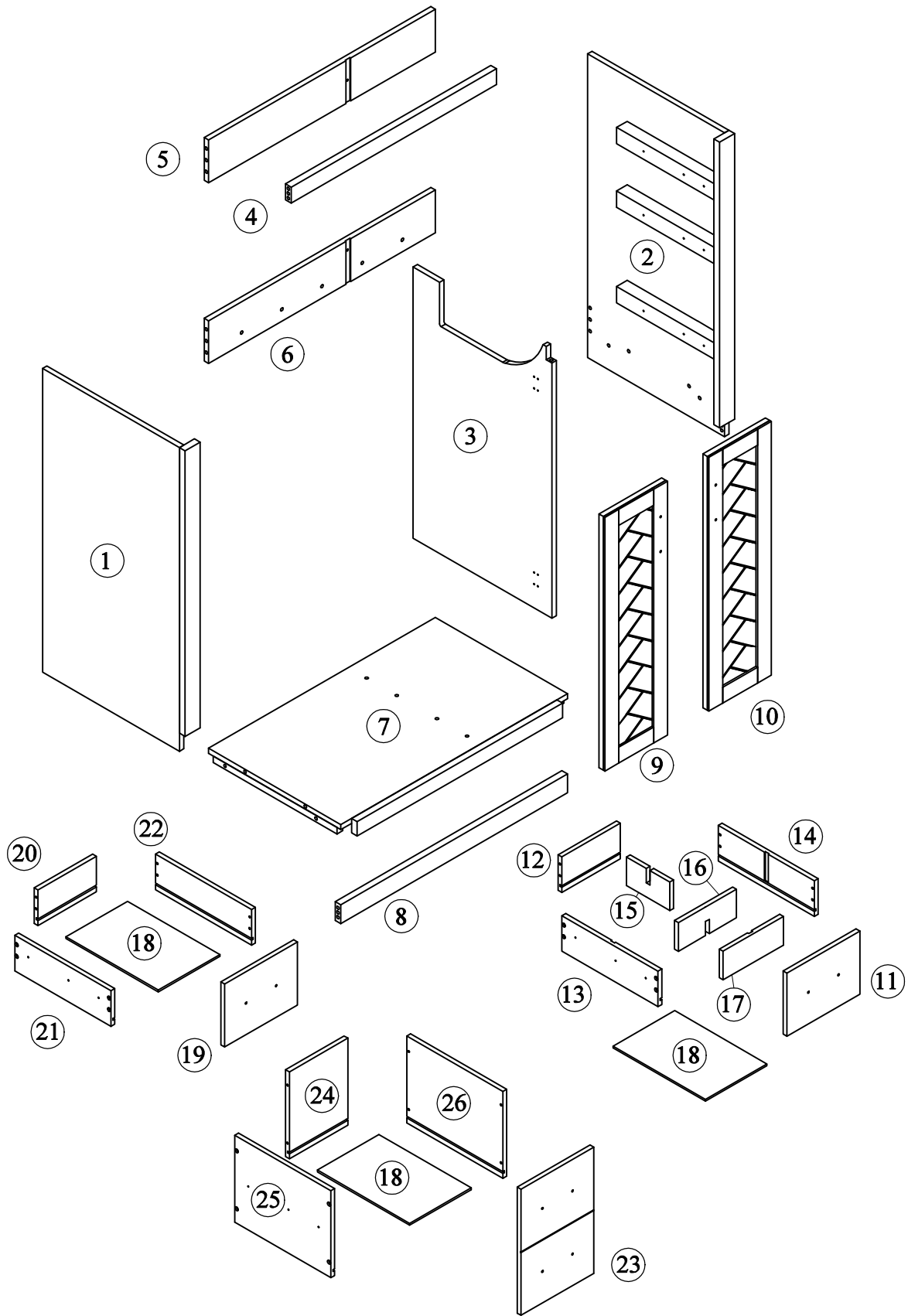
STEP 2: Push Lever UP

**Push lever for the left of drawer ,
press the lever for the right of drawer.**



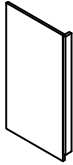
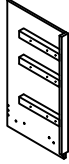
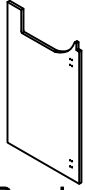
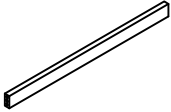
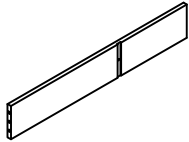
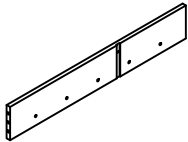
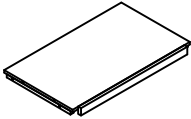
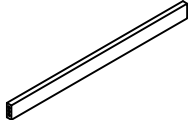


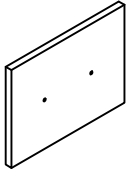
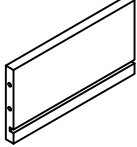
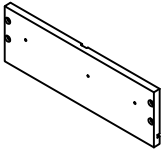
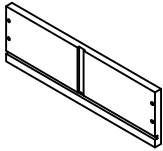
STEP 3: Remove Runner

Detail View - CABINET

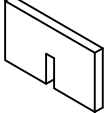
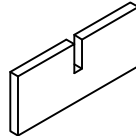
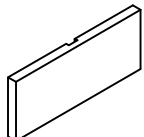
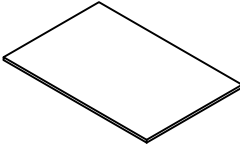
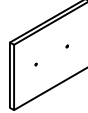
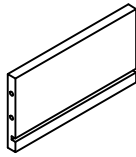
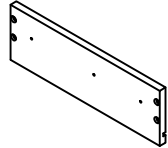
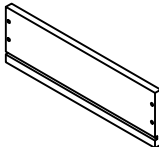
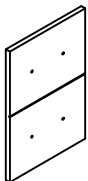
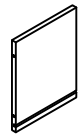
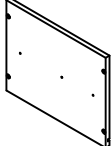
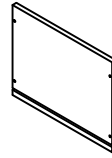


Identifying the Hardware-Identify the hardware using the illustrations below.



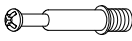



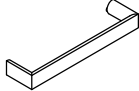
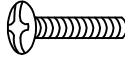

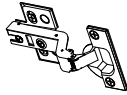
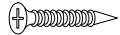


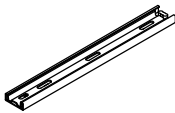
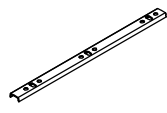

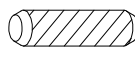

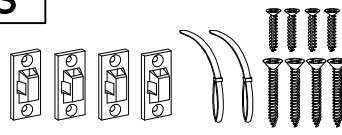
Part List - WF316212

<p>1</p>  <p>Side Panel (L) - 1pc</p>	<p>2</p>  <p>Side Panel (R) - 1pc</p>
<p>3</p>  <p>Mid Panel - 1pc</p>	<p>4</p>  <p>Top Bar Front - 1pc</p>
<p>5</p>  <p>Top Rear Panel - 1pc</p>	<p>6</p>  <p>Bottom Rear Panel - 1pc</p>
<p>7</p>  <p>Bottom Frame - 1pc</p>	<p>8</p>  <p>Bottom Bar Front - 1pc</p>
<p>9</p>  <p>Cabinet Door (L) - 1pc</p>	<p>10</p>  <p>Cabinet Door (R) - 1pc</p>
<p>11</p>  <p>Top Drawer Face - 1pc</p>	<p>12</p>  <p>Top Drawer Back Panel - 1pc</p>
<p>13</p>  <p>Top Drawer Side Panel (L) - 1pc</p>	<p>14</p>  <p>Top Drawer Side Panel (R) - 1pc</p>

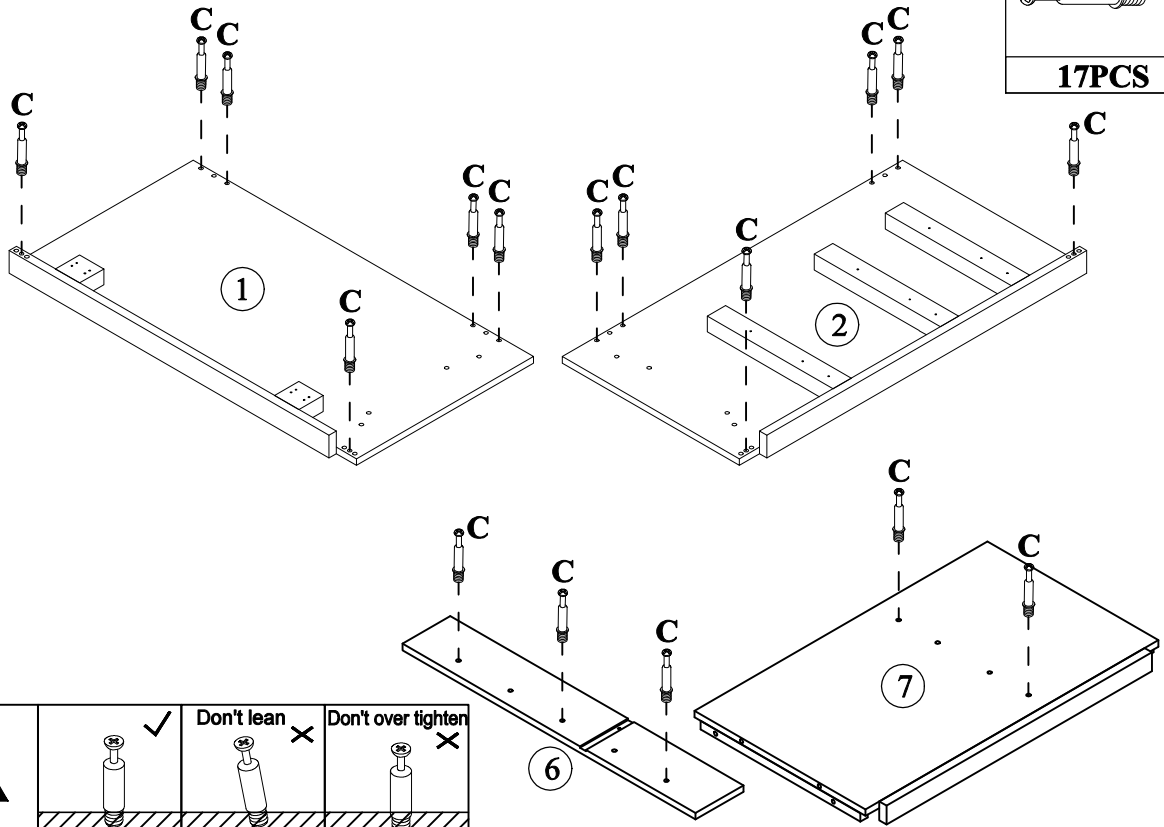
Part List - WF316212

<p>15</p>  <p>Drawer divider (A) - 1pc</p>	<p>16</p>  <p>Drawer divider (B) - 1pc</p>
<p>17</p>  <p>Drawer divider (C) - 1pc</p>	<p>18</p>  <p>Bottom Drawer Panel - 3pcs</p>
<p>19</p>  <p>Mid Drawer Face - 1pc</p>	<p>20</p>  <p>Mid Drawer Back Panel - 1pc</p>
<p>21</p>  <p>Mid Drawer Side Panel (L) - 1pc</p>	<p>22</p>  <p>Mid Drawer Side Panel (R) - 1pc</p>
<p>23</p>  <p>Bottom Drawer Face - 1pc</p>	<p>24</p>  <p>Bottom Drawer Back Panel - 1pc</p>
<p>25</p>  <p>Bottom Drawer Side Panel (L) - 1pc</p>	<p>26</p>  <p>Bottom Drawer Side Panel (R) - 1pc</p>

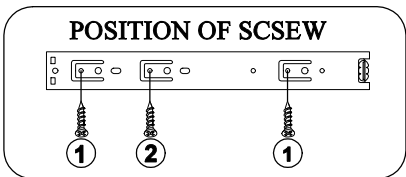
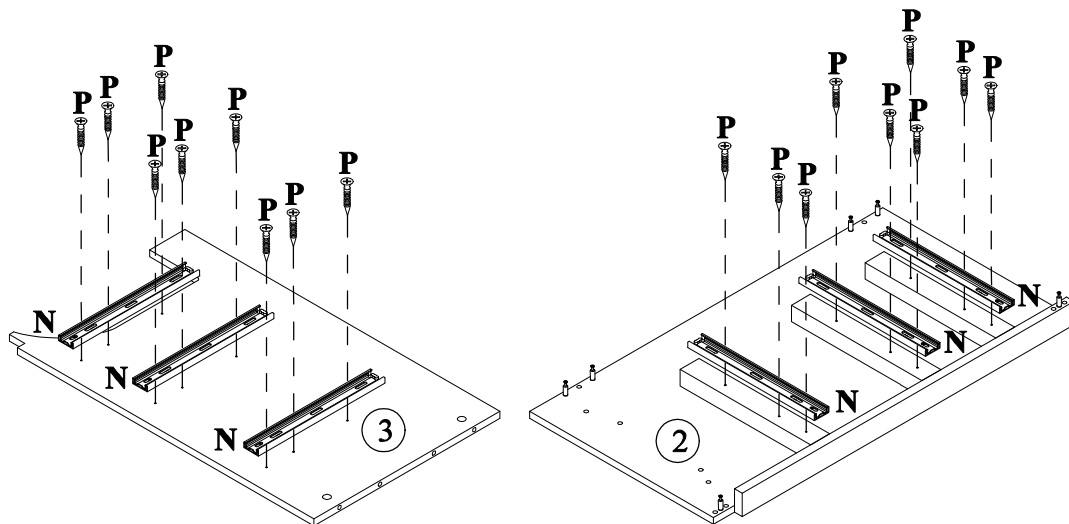
Hardware List - WF316212

<p>A</p>  <p>ø13x1/4"x28mm Hex-Head bolts (4pcs)</p>	<p>B</p>  <p>ø1/4"x16x1mm Washer (4pcs)</p>	<p>C</p>  <p>ø6x35mm Three in one bolts (17pcs)</p>
<p>D</p>  <p>ø14.5x12mm Three in one lock (17pcs)</p>	<p>E</p>  <p>ø8xø4x25mm Round head screw (2pcs)</p>	<p>F</p>  <p>ø8xø4x32mm Round head screw (24pcs)</p>
<p>G</p>  <p>Handle (6pcs)</p>	<p>H</p>  <p>ø5/32"x20mm Handle screw (4pcs)</p>	<p>I</p>  <p>ø5/32"x25mm Handle screw (8pcs)</p>
<p>J</p>  <p>Damping hinge (4pcs)</p>	<p>K</p>  <p>ø7xø3.5x15mm Flat head screw (24pcs)</p>	<p>L</p>  <p>L-Bracket (1pc)</p>
<p>M</p>  <p>ø7xø3.5x12mm Round head screw (2pcs)</p>	<p>N</p>  <p>ø300x35mm Slide rails (6pcs)</p>	<p>O</p>  <p>ø298x18mm Slide rails (6pcs)</p>
<p>P</p>  <p>ø6xø3x12mm Flat head screw (36pcs)</p>	<p>Q</p>  <p>ø8x30mm Wood dowel (21pcs)</p>	<p>R</p>  <p>4mm Allen key (1pc)</p>
<p>S</p>  <p>Anti fall hardware (1set)</p>		


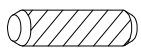
STEP: 1

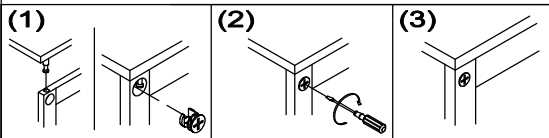
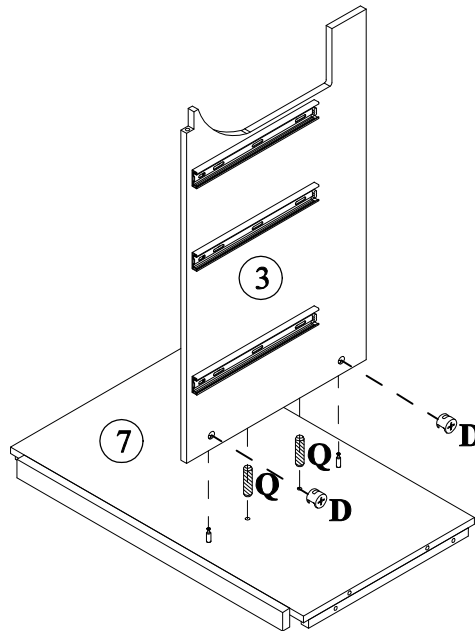


STEP: 2






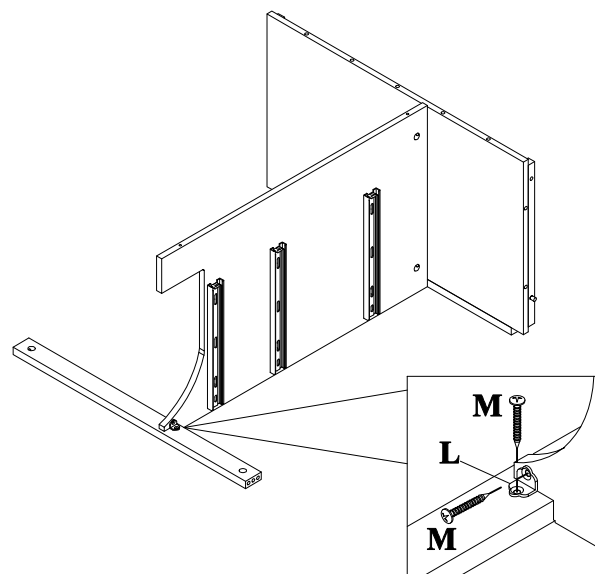
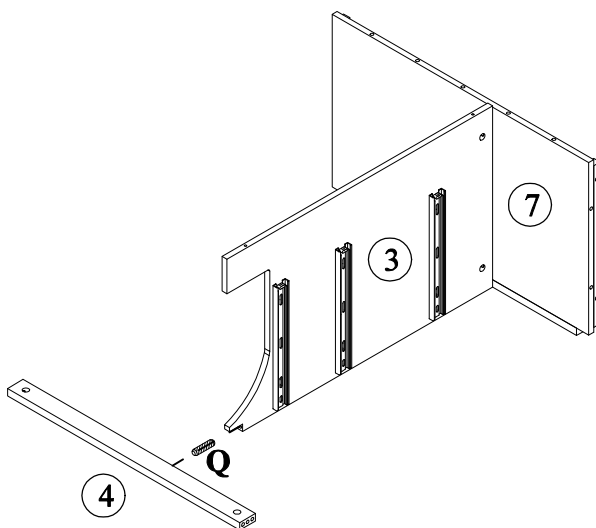
STEP: 3

D		Q	
	2PCS		2PCS






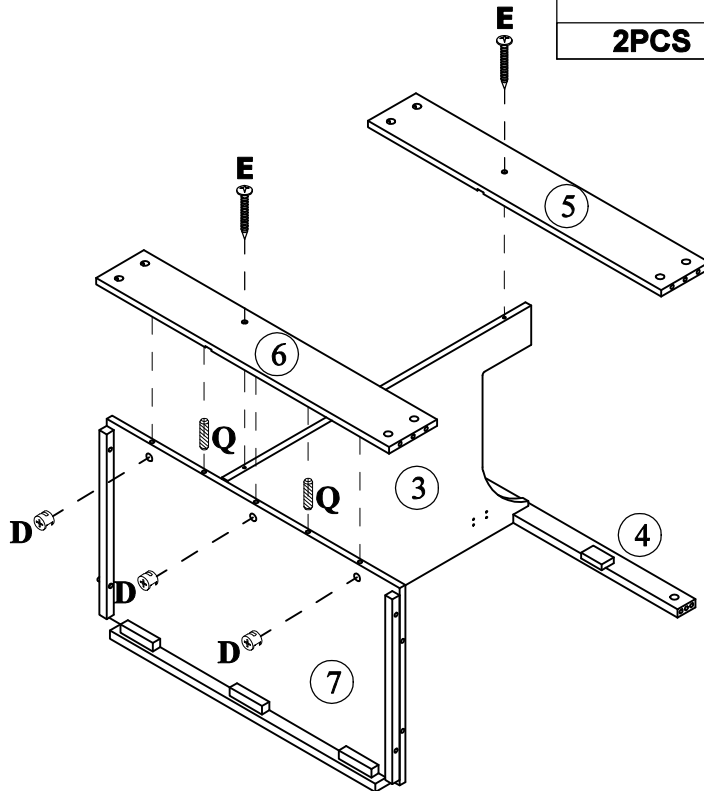
STEP: 4

L		M		Q	
	1PC		2PCS		1PC




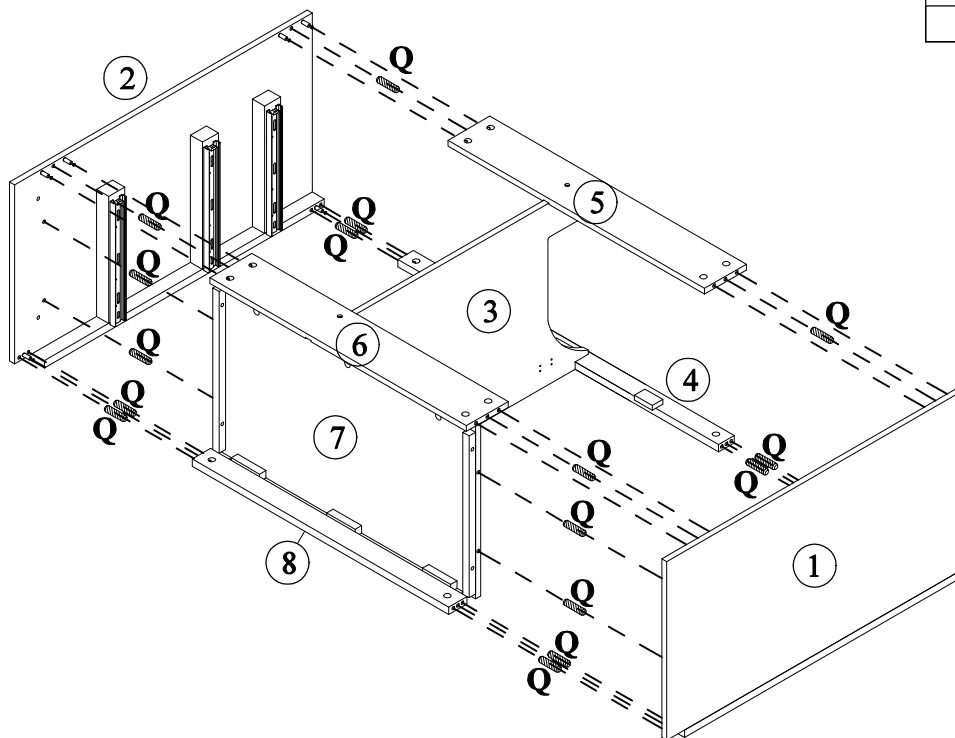
STEP: 5

E	D	Q
		
2PCS	3PCS	2PCS






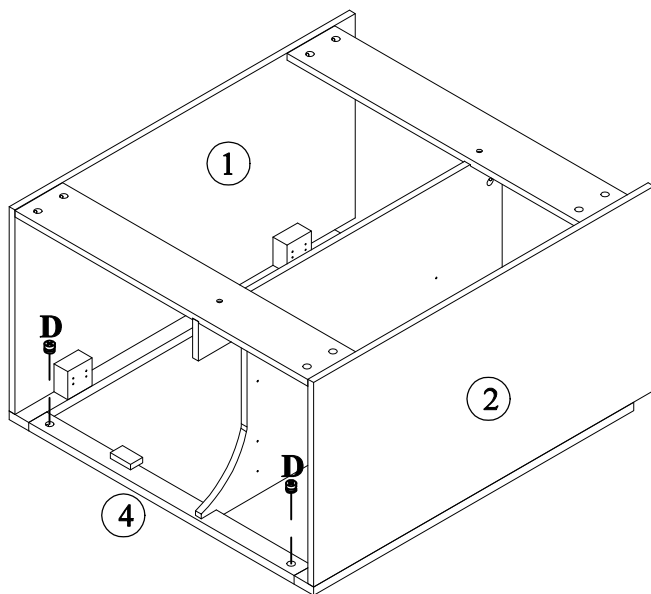
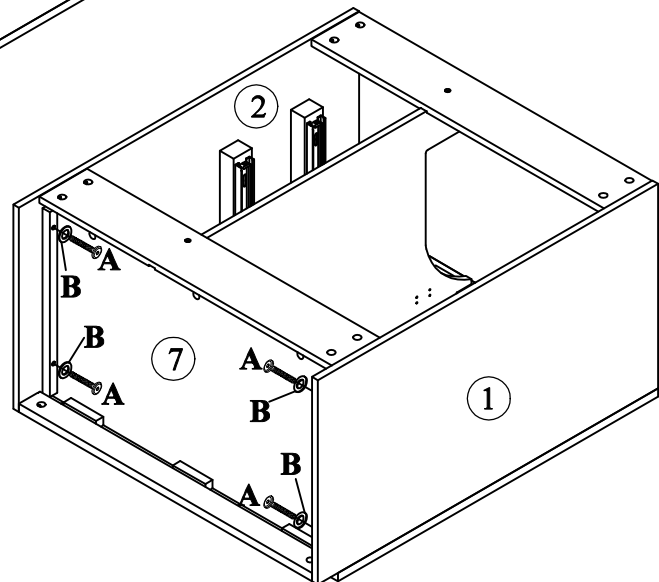
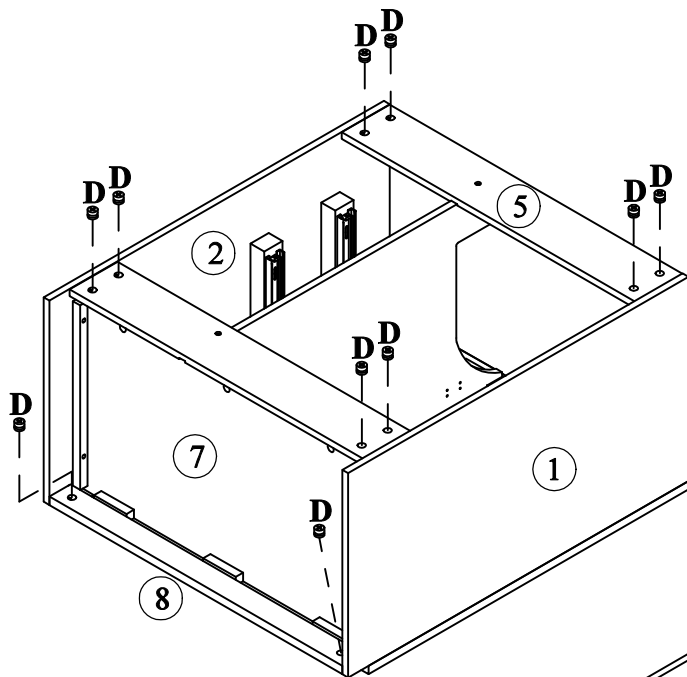
STEP: 6

Q

16PCS

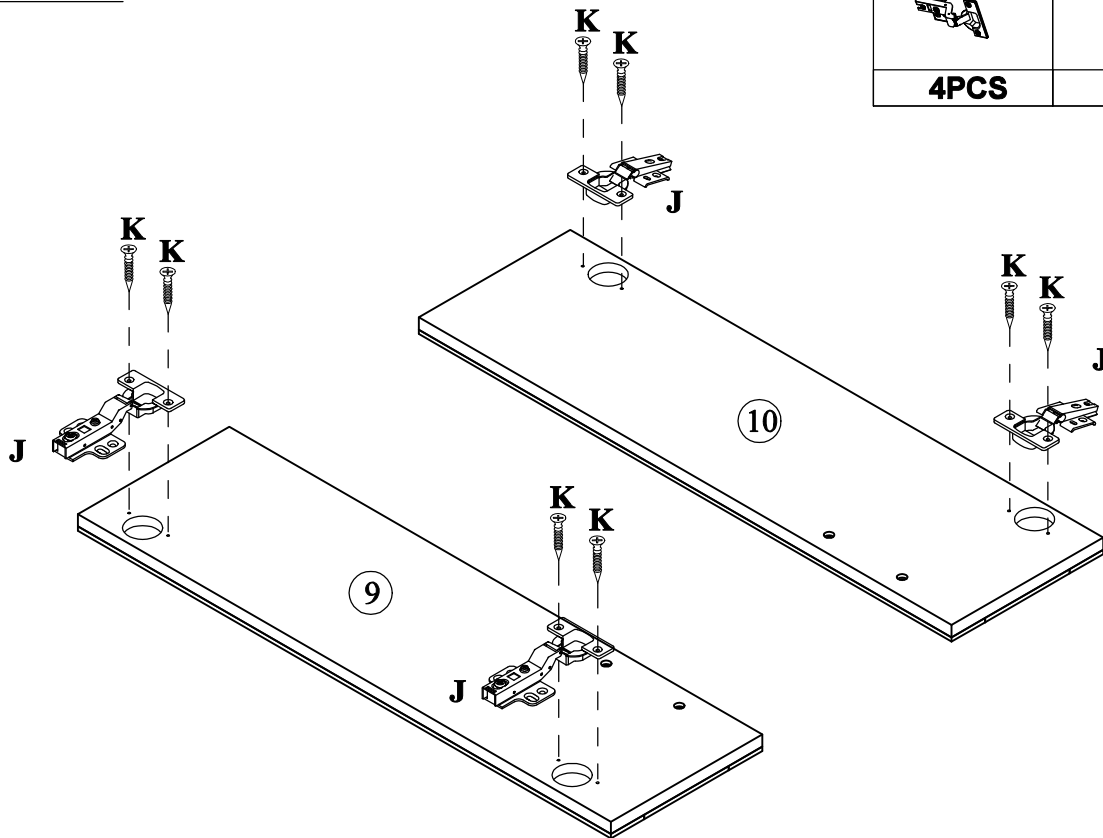



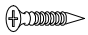
STEP: 7

A	B	D
		
4PCS	4PCS	12PCS

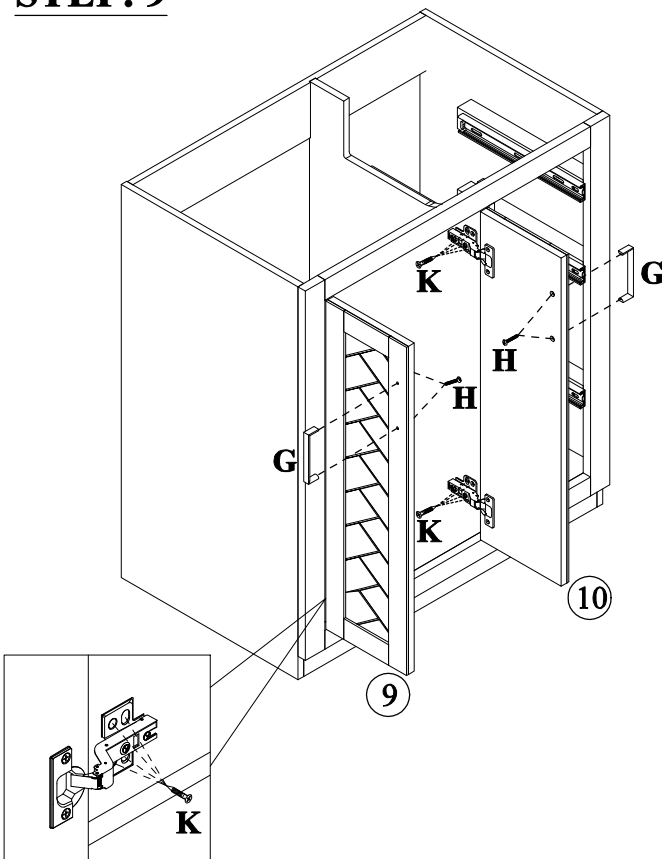


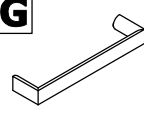
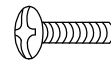
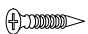
STEP: 8

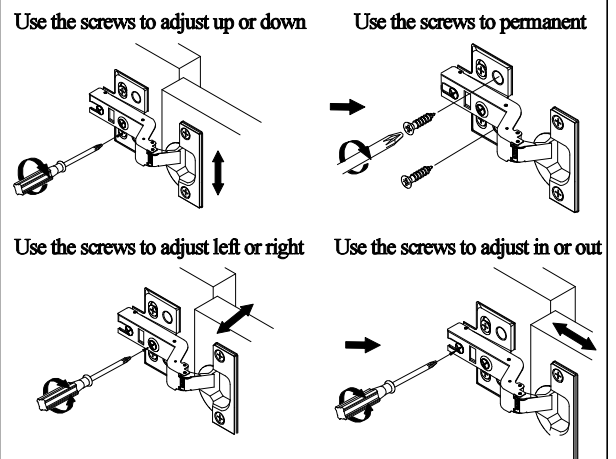


J		K	
	4PCS		8PCS


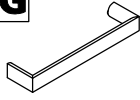

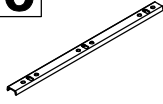

STEP: 9

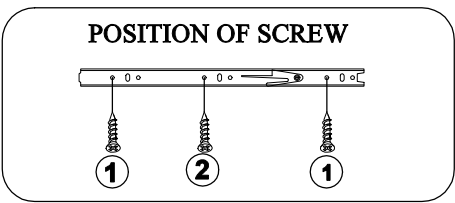
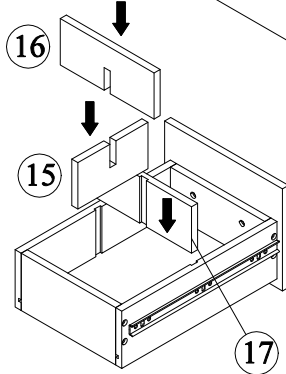
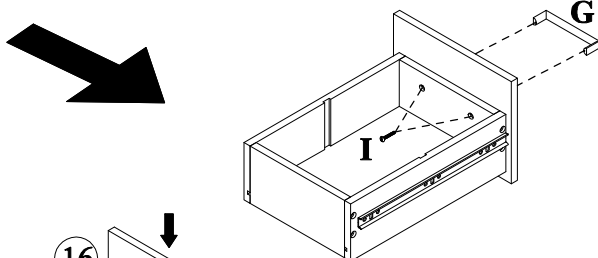
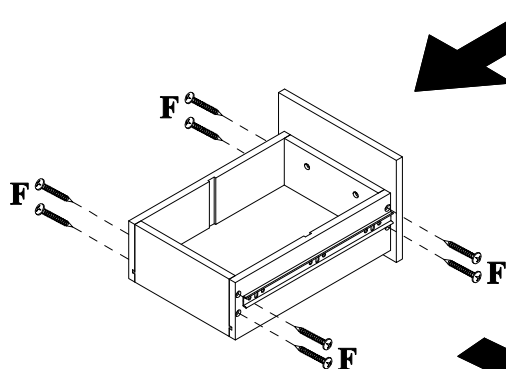
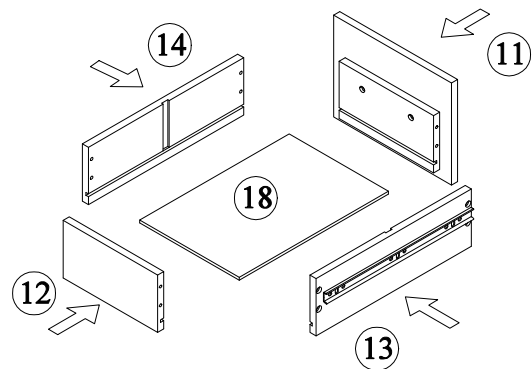
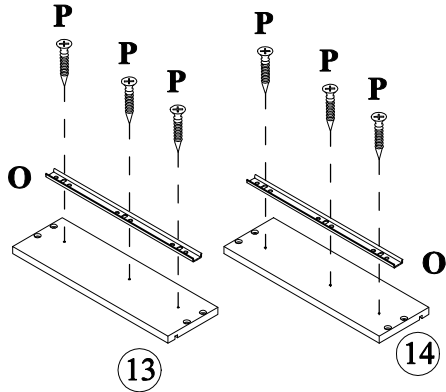


G		H		K	
	2PCS		4PCS		16PCS


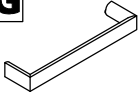

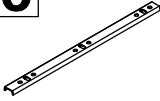
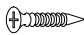


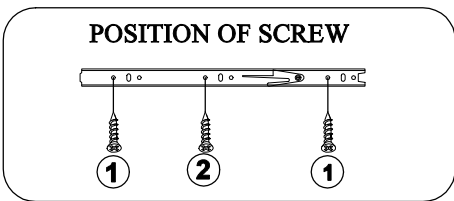
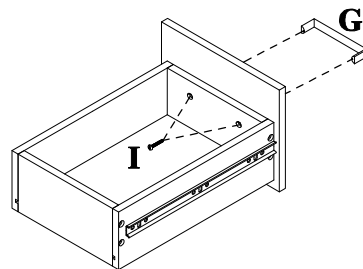
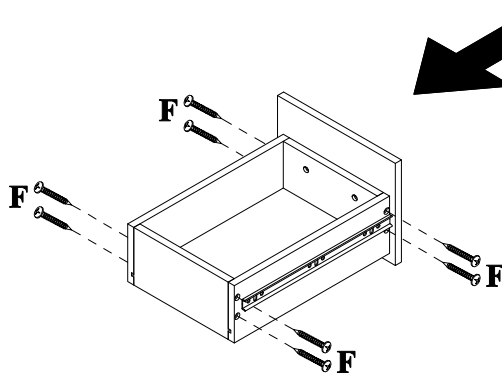
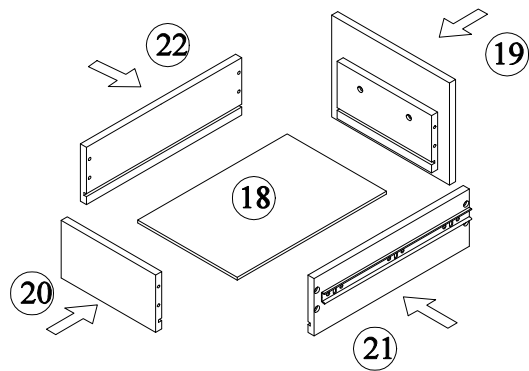
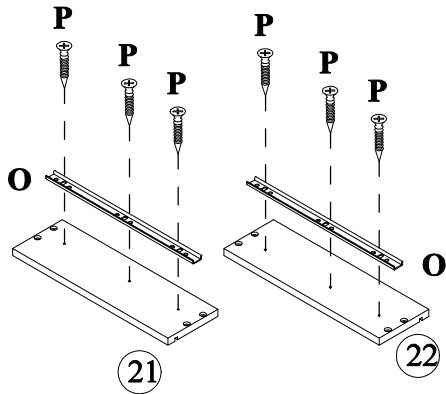
STEP: 10

F	G	I	O	P
				
8PCS	1PC	2PCS	2PCS	6PCS


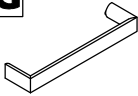

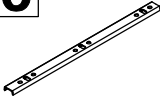



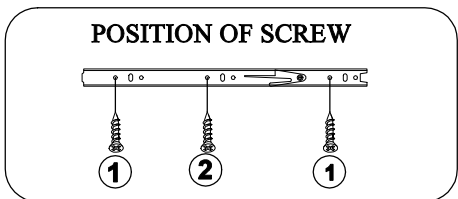
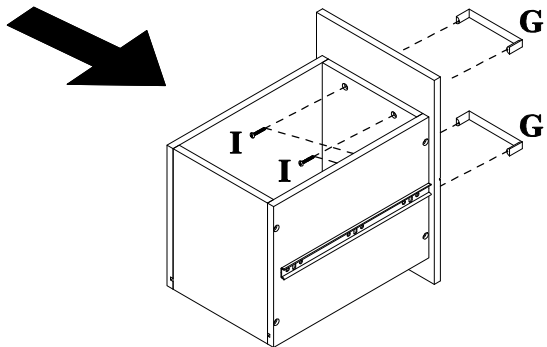
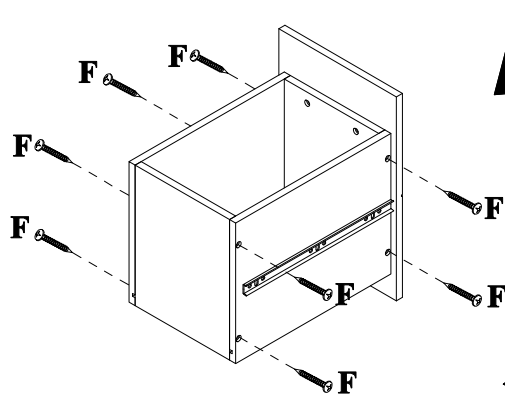
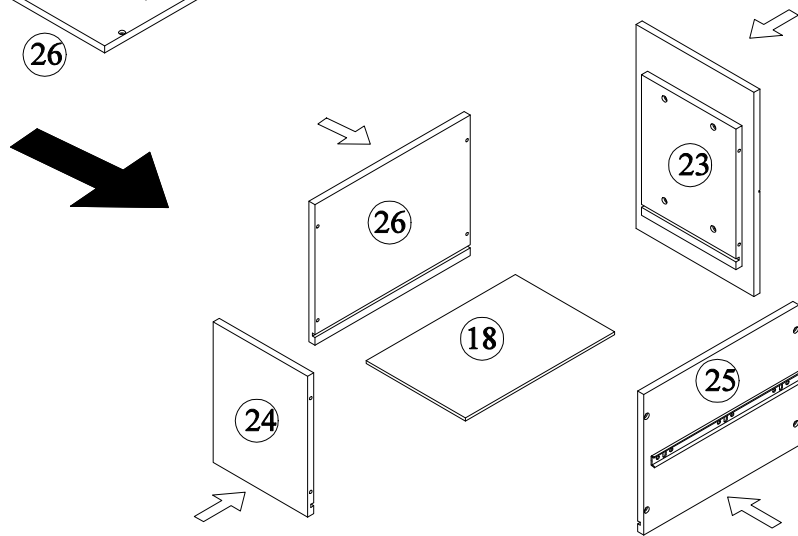
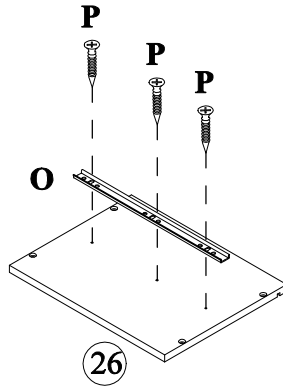
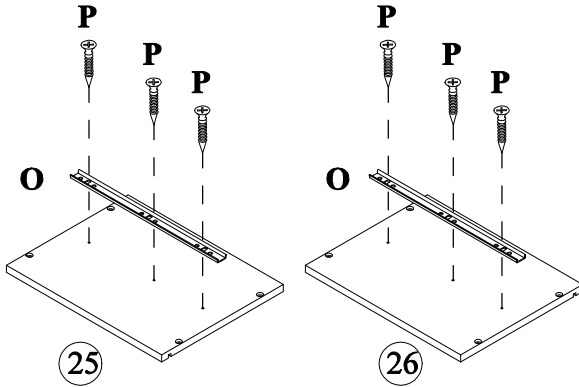
STEP: 11

F	G	I	O	P
				
8PCS	1PC	2PCS	2PCS	6PCS

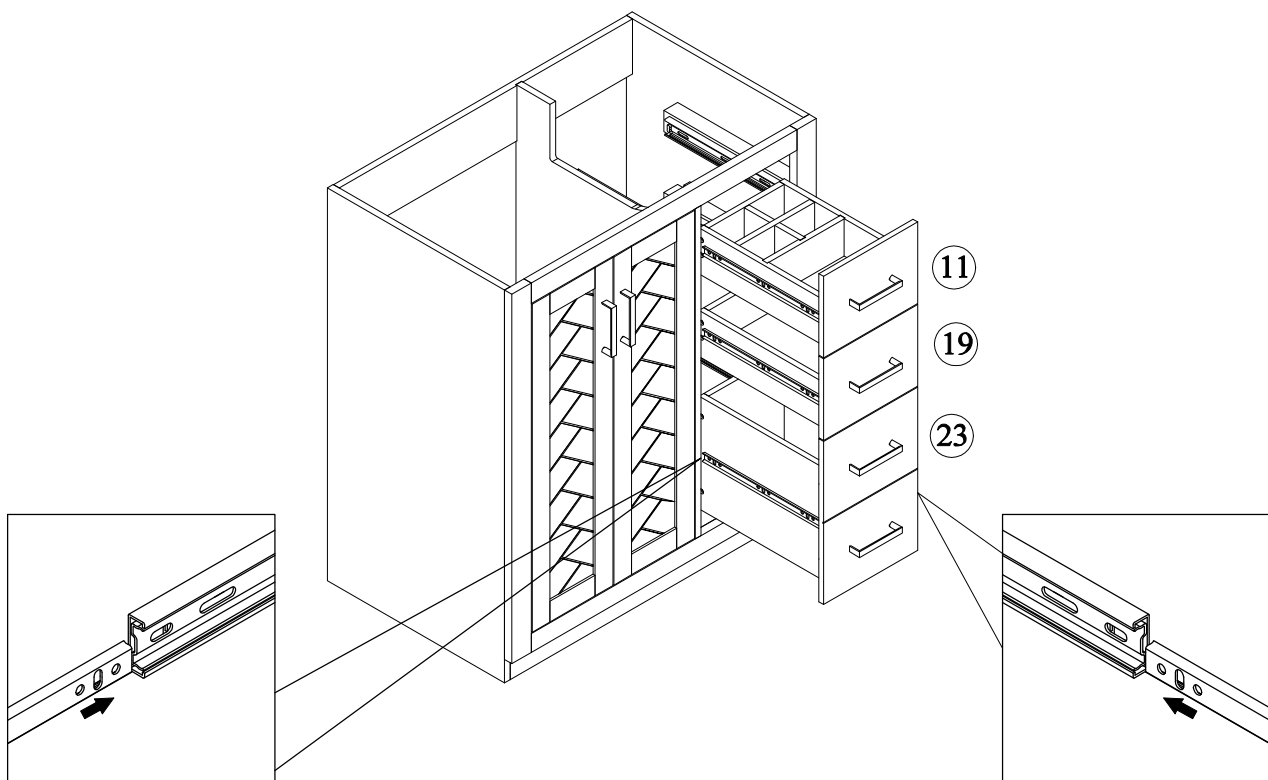


STEP: 12

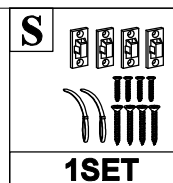
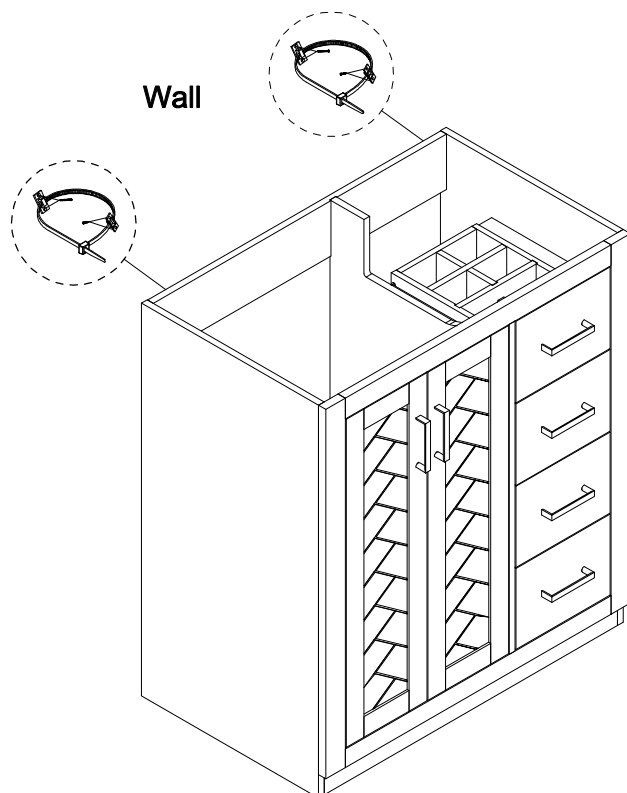
F	G	I	O	P
				
8PCS	2PCS	4PCS	2PCS	6PCS



STEP: 13

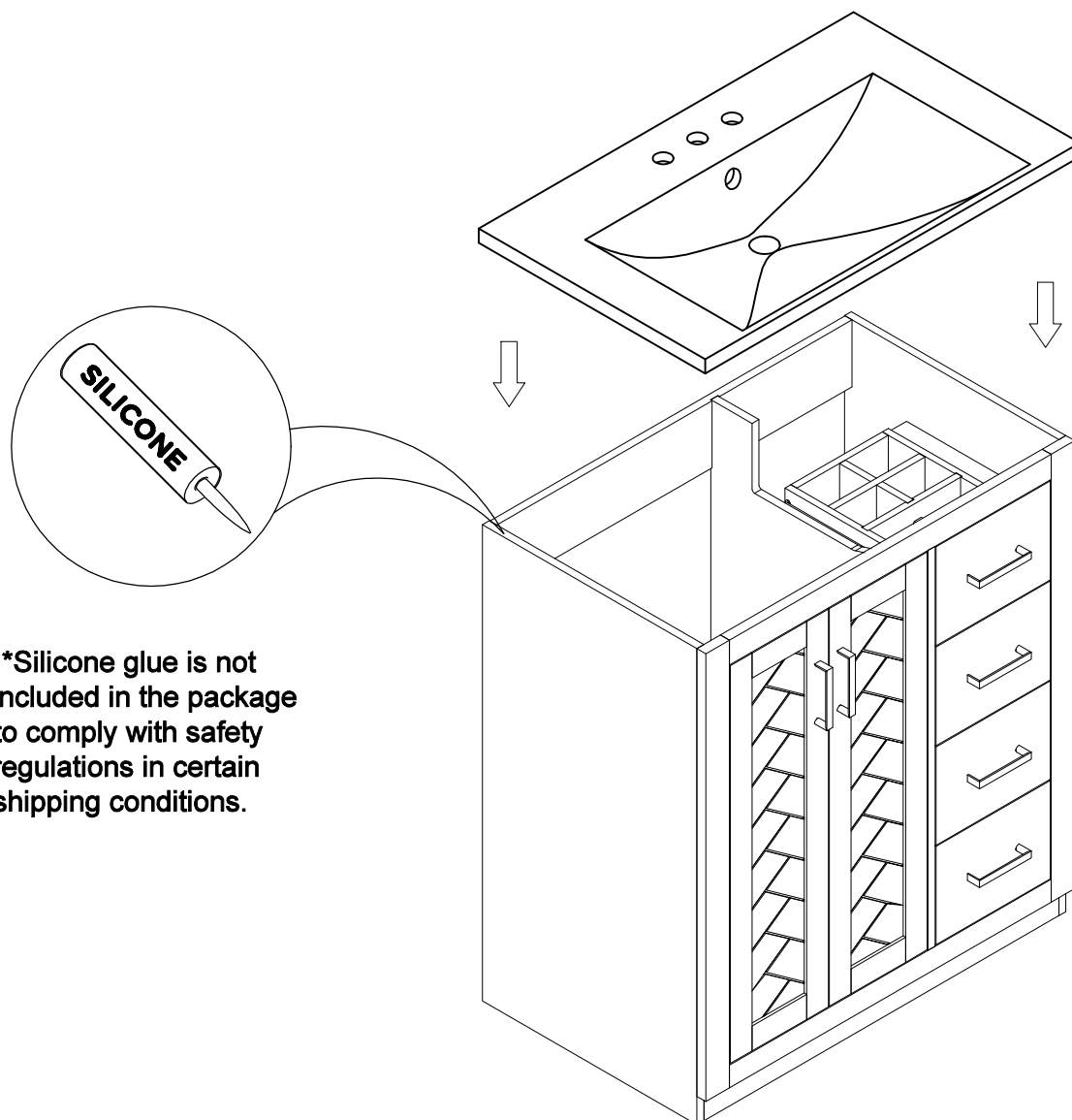


STEP: 14



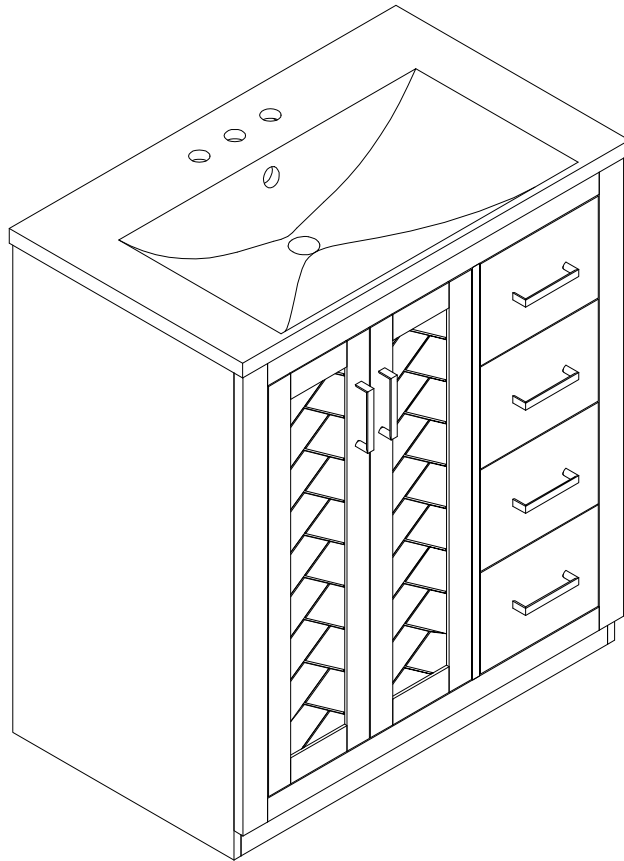
STEP: 15

**Install the sink on the cabinet with glue.
Let stand for 24 hours**

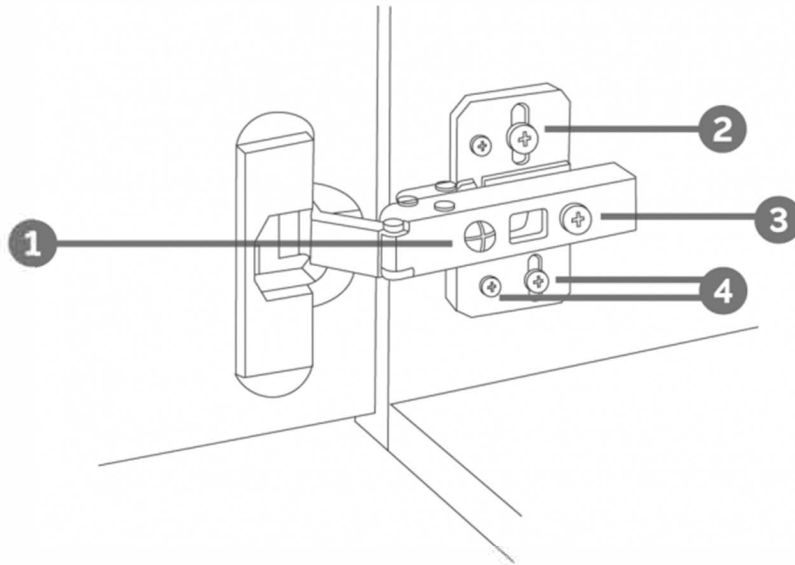


***Silicone glue is not included in the package to comply with safety regulations in certain shipping conditions.**

STEP: 16

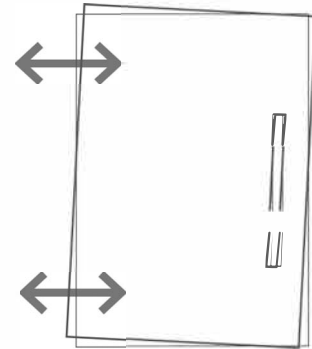


HINGE ADJUSTMENTS



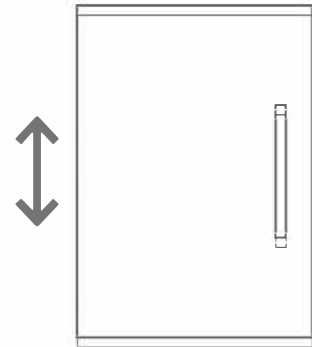
1 Sideways / Tilt adjustment

Turn the screw
clockwise to move the door further away from
the side of the cabinet
anticlockwise to move the door closer to the
side of the cabinet



2 4 Height adjustment

While supporting the weight of the door, turn the
screws
clockwise to move the door up
anticlockwise to move the door down



3 Forward and back adjustment

If the gap between the back of the door and the
cabinet is too small, and the door may not close
fully. Turn the screw
clockwise to decrease the gap between the
door and the cabinet
anticlockwise to increase the gap between the
door and the cabinet

