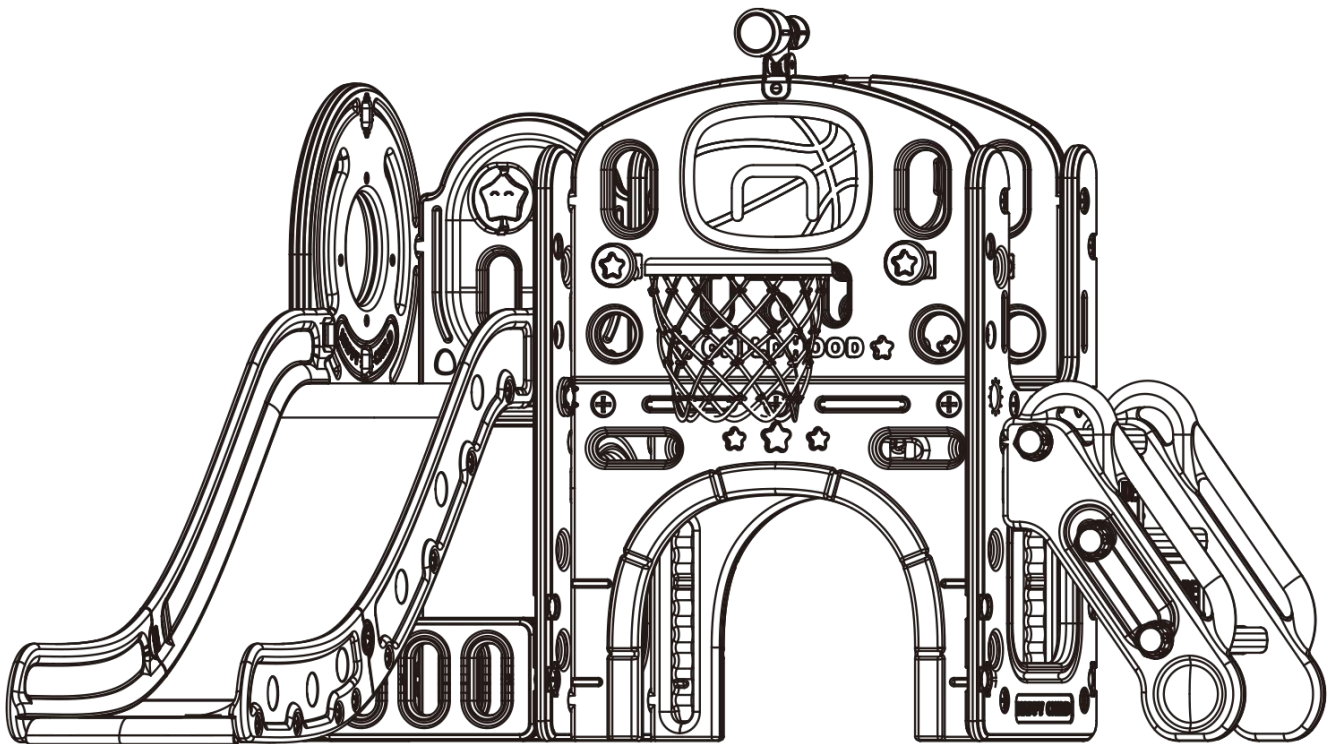


# Multiplay Tower & Slide

## USER MANUAL



READ AND SAVE THIS INSTRUCTION FOR FUTURE USE

---

# SAFETY & WARNINGS

## ADULT ASSEMBLY REQUIRED.

- Keep these instructions for future reference.
- This product is intended for indoor, outdoor, family, domestic use only.
- Place this product on level ground and at least 6.6' away from a fence, building, overhead branches, laundry lines or electrical wires. This product should be placed away from furniture that could cause injury if a fall occurs.
- Ensure the installation area is ventilated.
- Do not use the product if it is damaged or defective. If it is damaged or defective, please contact a qualified technician.
- Check that all parts are assembled well and are stable before use. Defective parts must be changed immediately as they can impair the function and the safety of the product.
- When temperatures fall below freezing, (0°C/32°F), outdoor use of this product is not recommended. In extreme cold, plastic materials lose resilience and may become brittle and crack with impact. Store product in a warmer, protected place.
- Keep away from fire or any source of ignition.
- Packing materials are not toys, keep them away from children.
- Instruct children on proper use of this product: only after properly assembled and installed, and not in a manner other than intended.
- Dress children appropriately: do not allow children to wear loose-fitting clothing including ponchos, scarves and garments with drawstrings. Well-fitting shoes must be worn at all times.
- Avoid placing equipment in direct sunlight as hot surfaces could cause serious burns.
- Provide adult supervision at all times.

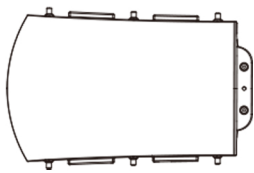
**PLEASE DO NOT RETURN TO STORE**



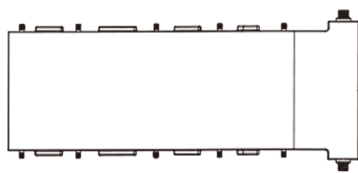
**Please do not return this product to the retailer!!  
We are able to assist you in ANY way**

If you find that you have any trouble with assembly or missing or damaged parts please contact the seller.

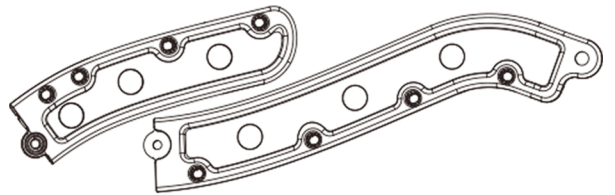
# PART LIST



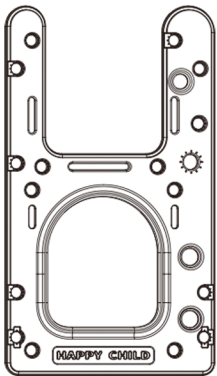
Buffer Board x 1



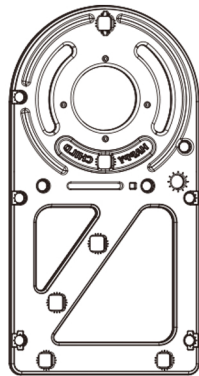
Slide x 1



Slide Handrail x 2



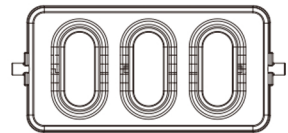
U-Shaped Side Panel x 2



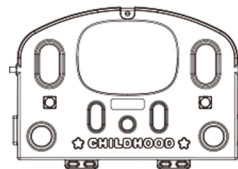
Large Side Panel x 1



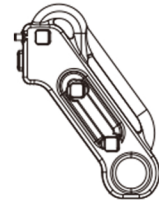
Panel with Star x 1



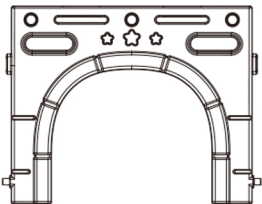
Storage Panel x 2



Security Fence x 2



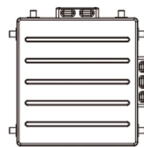
Stair Handrail x 2



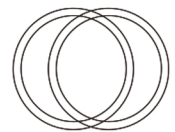
Tunnel Panel x 2



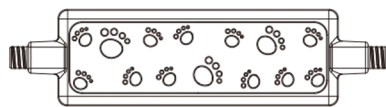
Riser x 2



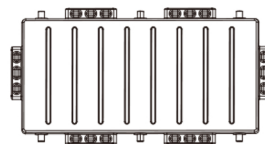
Small Platform x 1



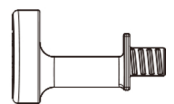
Ring x 4



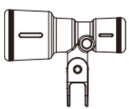
Tread x 3



Tunnel Platform x 1



Peg x 2



Telescope x 1



Sticker x 1



Basketball Ring x 1



Net x 1



Basketball x 1



Metal Screw A x 1



Screw B x 7



Screw C x 30



Screw D x 2



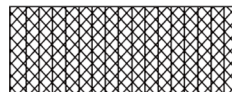
Screw E x 2



Screw F x 18



Screw G x 2

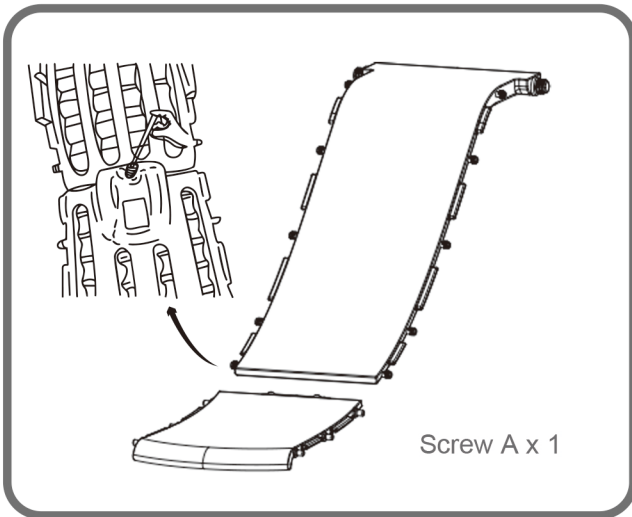


Non-Slip Pad x 2



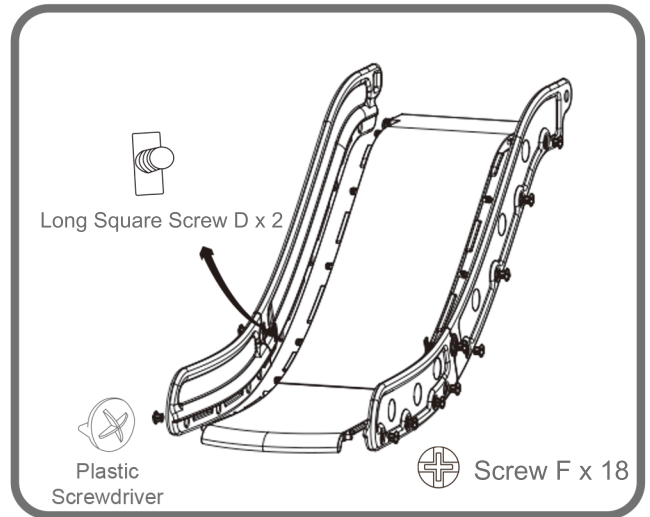
Plastic Screwdriver x 1

# ASSEMBLY



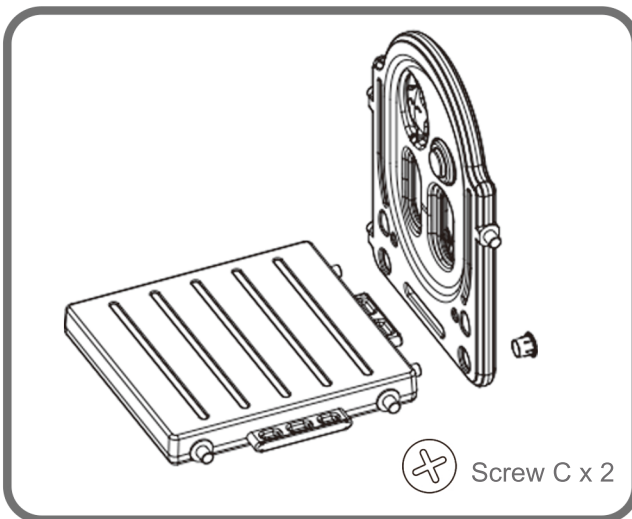
## Step1

Attach the Slide to the Buffer Board, and secure with Screw A on the back. Attach the Non-Slip Pads under the Slide for extra stability.



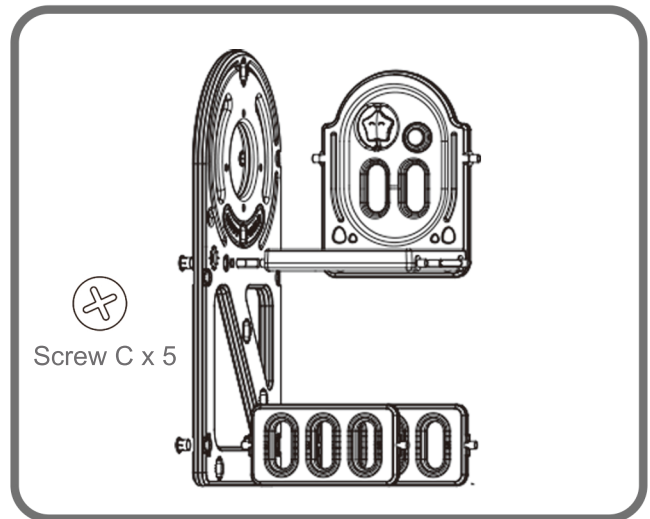
## Step2

Connect the Handrails together with Long Square Screw D, and then attach the Long handrail to Slide, secure with 9pcs Screw F on each side, 18pcs Screw F intotal. Tighten with Plastic Screwdriver.



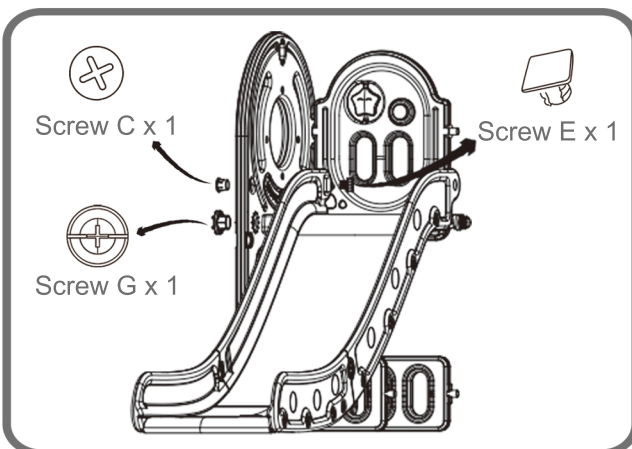
## Step3

Connect the Small Platform with Panel with Star, secure with 2pcs Screw C.



## Step4

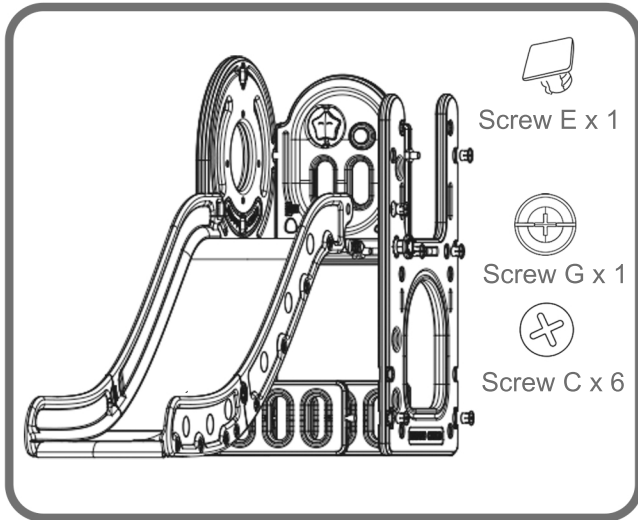
Install the 2 Storage Panels at the bottom of Large Side Panel, secure with 2pcs Screw C. Then connect the small platform to the Large Side Panel, secure with 2pcs Screw C. Secure the Panel with Star with 1pc Screw C.



## Step5

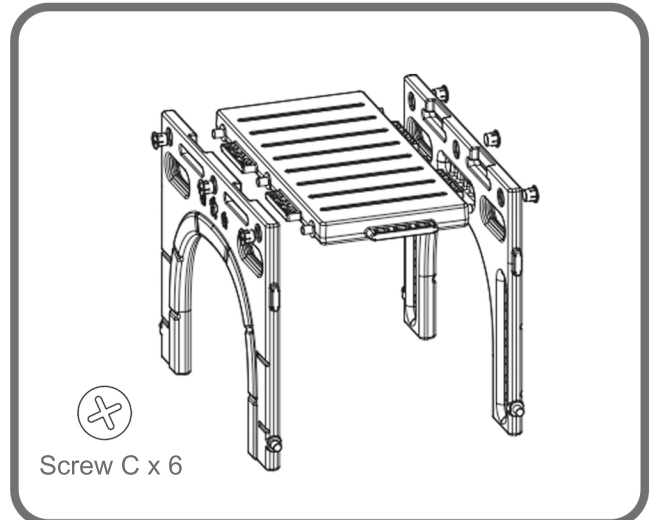
Conenct the Slide section to the Platform, secure the Handrail to the Large Side Panel with 1pc Square Screw E and 1pc Screw C, secure the Slide to the Side Panel with 1pc Screw G.

# ASSEMBLY



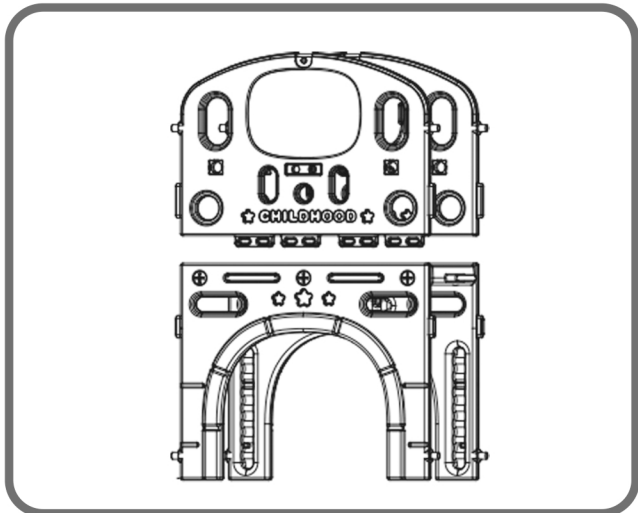
## Step6

Attach the U-Shaped Panel, secure this side with 6pcs Screw C, 1pc Screw G and 1pc Square Screw E.



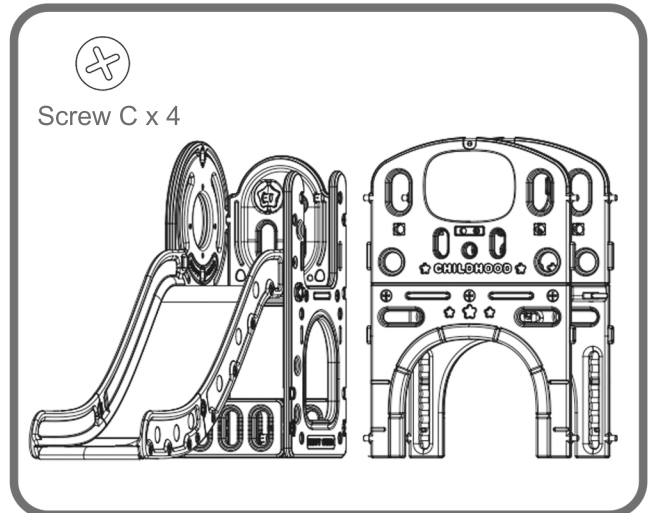
## Step7

Connect the Tunnel Platform with 2 Tunnel Panels, secure with 6pcs Screw C.



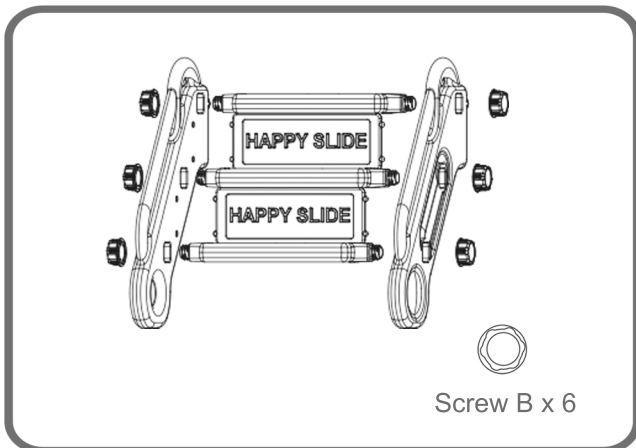
## Step8

Install the 2 Security Fences on the Tunnel Panel.



## Step9

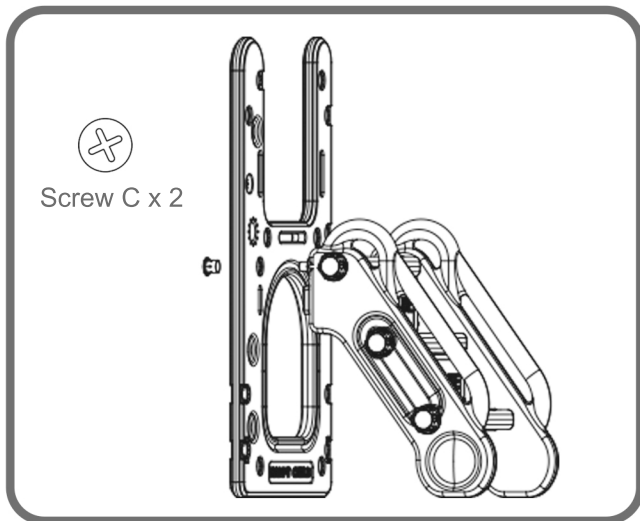
Connect the Slide section with Tunnel section, secure with 2pcs Screw C at the bottom, and 2pcs Screw C in the upper part.



## Step10

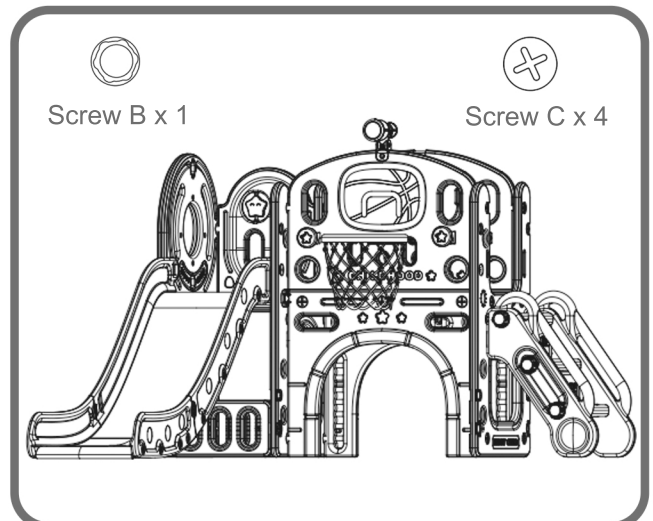
Combine the Tread, Riser and Stair Handrails, secure with 6pcs Screw B.

# ASSEMBLY



## Step11

Insert the Stair set into the 2nd U-Shaped Side Panel as illustrated, secure with 2pcs Screw C.



## Step12

Attach the U-Shaped Side Panel to the tunnel section, secure with 4pcs Screw C.

Install the Basketball Hoop, secure with 1pc Screw B.

Install the Telescope and Ring Toss Pegs.

Put Sticker on the Fence Panel as illustrated.