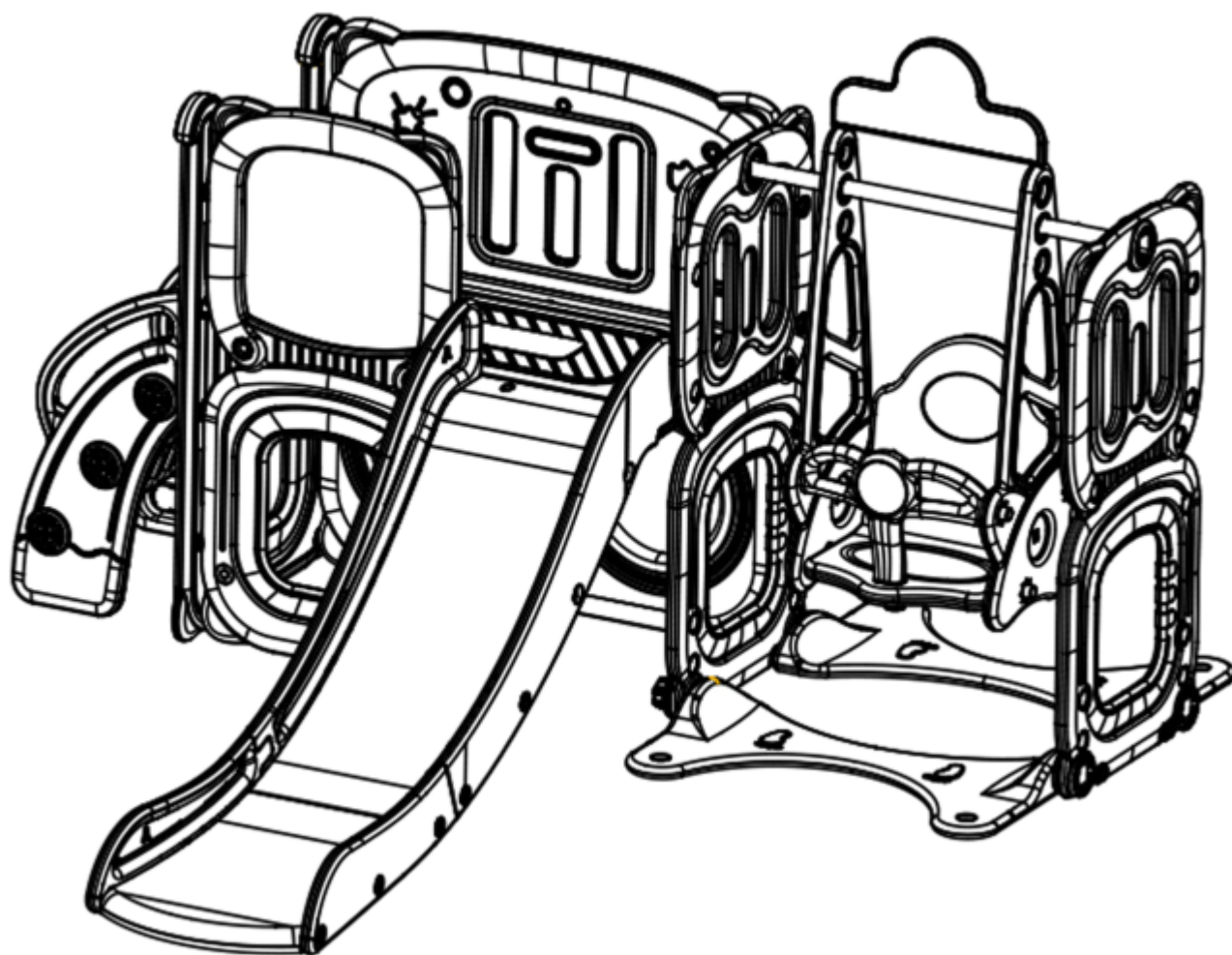


# Climber & Slide Playset

## USER MANUAL



READ AND SAVE THIS INSTRUCTION FOR FUTURE USE

---

# SAFETY & WARNINGS

## ADULT ASSEMBLY REQUIRED.

- Keep these instructions for future reference.
- This product is intended for indoor, outdoor, family, domestic use only.
- Place this product on level ground and at least 6.6' away from a fence, building, overhead branches, laundry lines or electrical wires. This product should be placed away from furniture that could cause injury if a fall occurs.
- Ensure the installation area is ventilated.
- Do not use the product if it is damaged or defective. If it is damaged or defective, please contact a qualified technician.
- Check that all parts are assembled well and are stable before use. Defective parts must be changed immediately as they can impair the function and the safety of the product.
- When temperatures fall below freezing (0°C/32°F), outdoor use of this product is not recommended. In extreme cold, plastic materials lose resilience and may become brittle and crack with impact. Store product in a warmer, protected place.
- Keep away from fire or any source of ignition.
- Packing materials are not toys, keep them away from children.
- Instruct children on proper use of this product: only after properly assembled and installed, and not in a manner other than intended.
- Dress children appropriately: do not allow children to wear loose-fitting clothing including ponchos, scarves and garments with drawstrings. Well-fitting shoes must be worn at all times.
- Avoid placing equipment in direct sunlight as hot surfaces could cause serious burns.
- Provide adult supervision at all times.

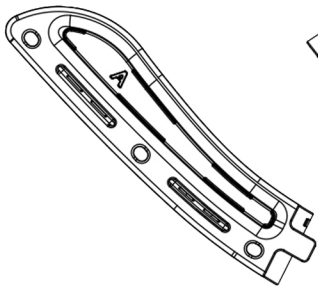
**PLEASE DO NOT RETURN TO STORE**



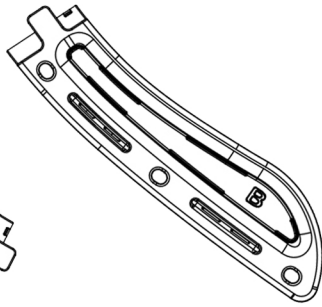
**Please do not return this product to the retailer!!  
We are able to assist you in ANY way**

If you find that you have any trouble with assembly or missing or damaged parts please contact the seller.

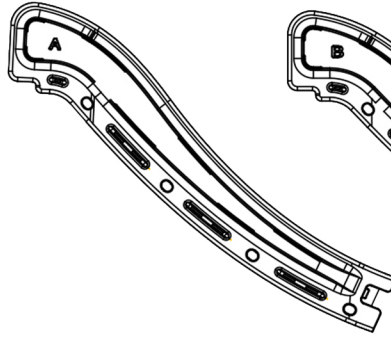
# Part List



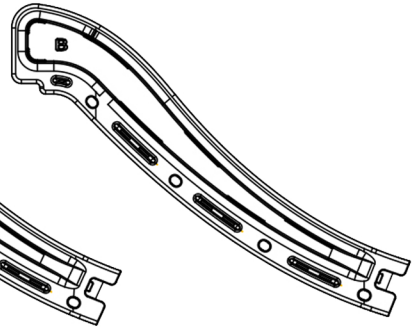
① × 1



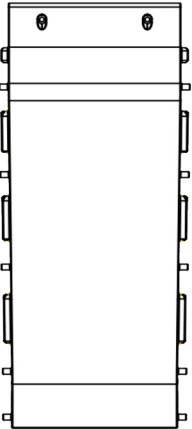
② × 1



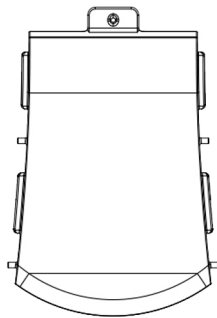
③ × 1



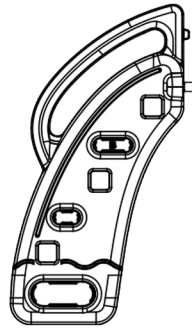
④ × 1



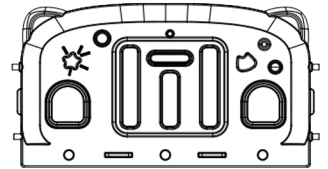
⑤ × 1



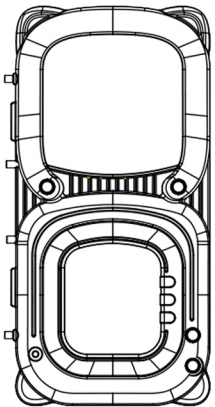
⑥ × 1



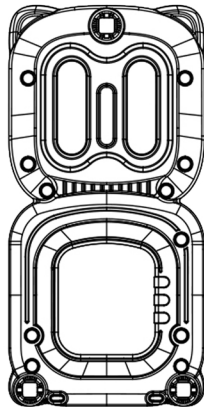
⑦ × 2



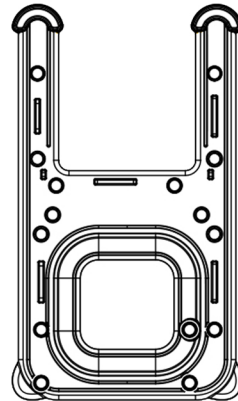
⑧ × 1



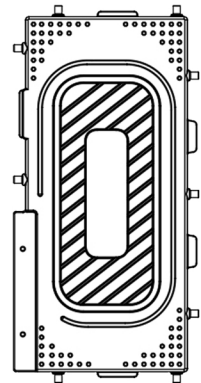
⑨ × 1



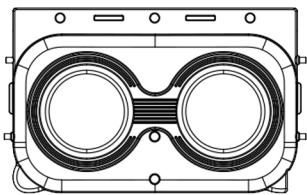
⑩ × 2



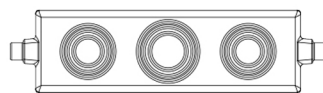
⑪ × 1



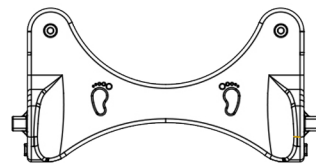
⑫ × 1



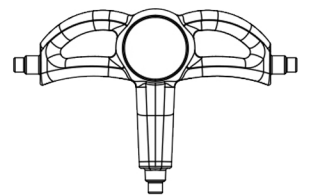
⑬ × 1



⑭ × 1

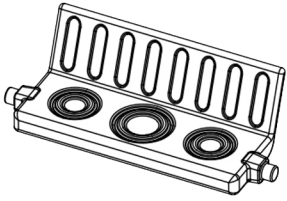


⑮ × 2

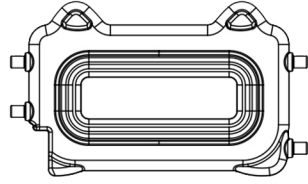


⑯ × 1

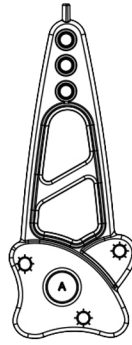
# Part List



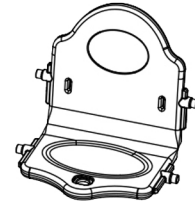
⑰ × 2



⑱ × 1



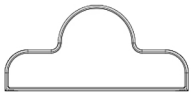
⑲ × 2



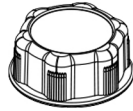
⑳ × 1



㉑ × 1



㉒ × 1



㉓ × 6



㉔ × 1



㉕ × 27



㉖ × 6



㉗ × 14



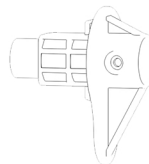
㉘ × 7



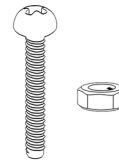
㉙ × 2



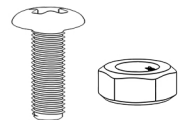
㉚ × 4



㉛ × 2



㉜ × 2



㉝ × 2



㉞ × 1

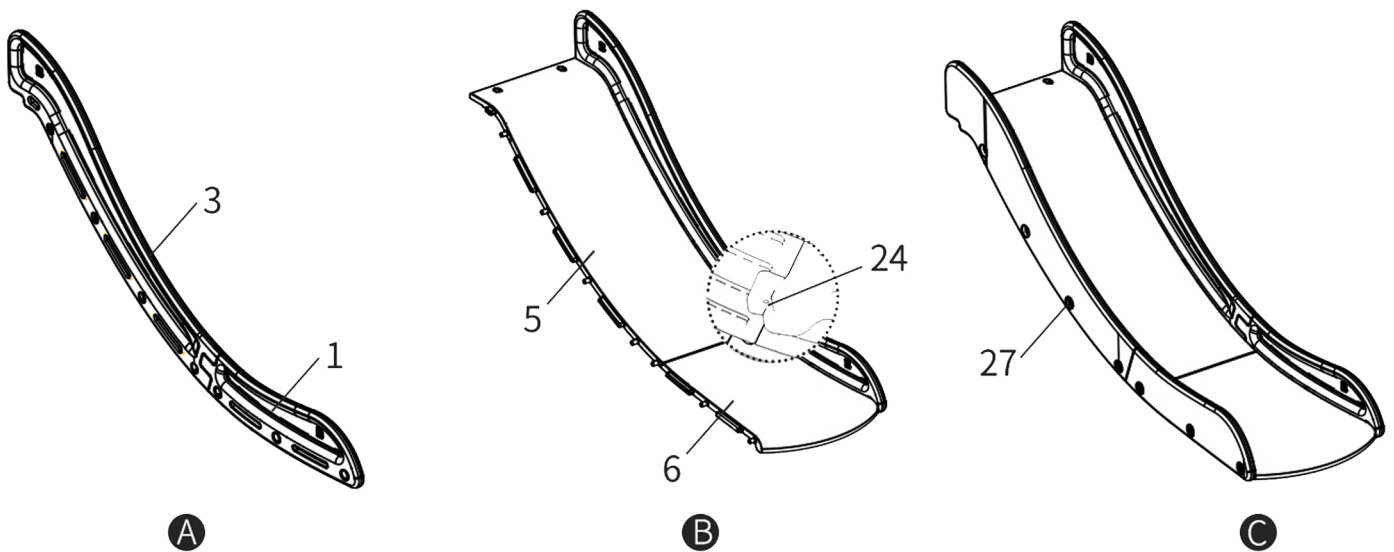


㉟ × 1



㊱ × 1

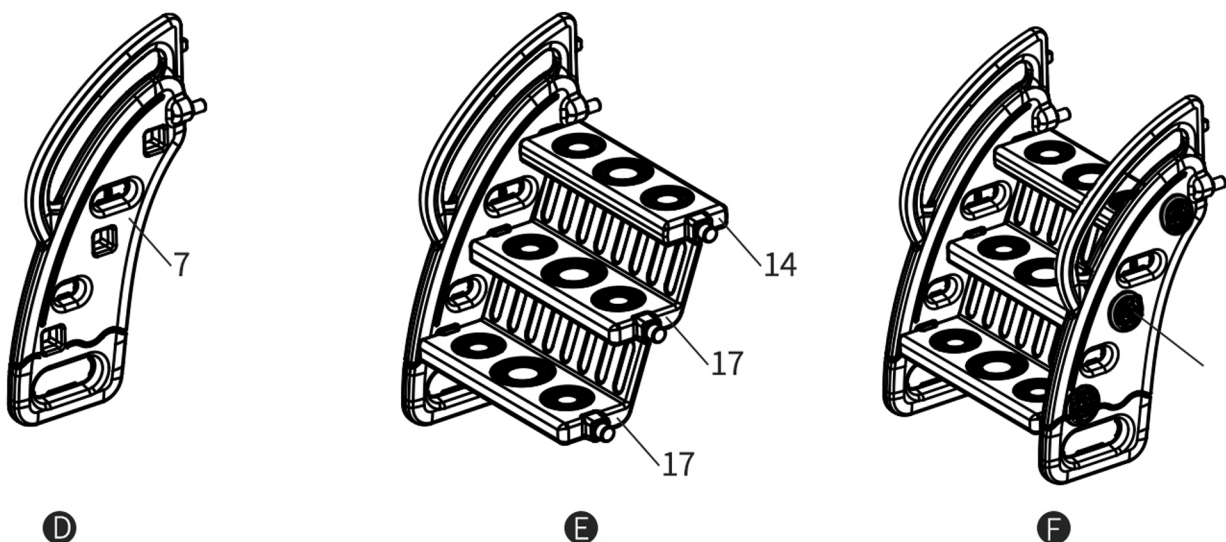
# ⓘ ASSEMBLY



A. Connect the Part 1 to the Part 3 and Part 2 to the Part 4.

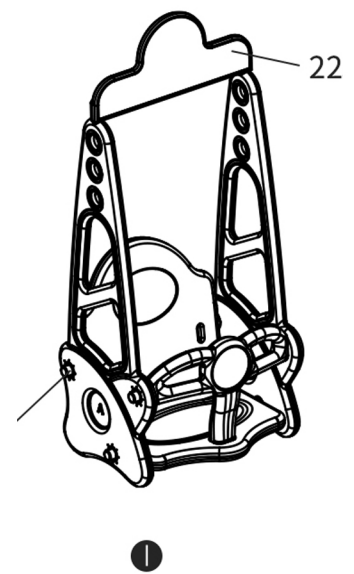
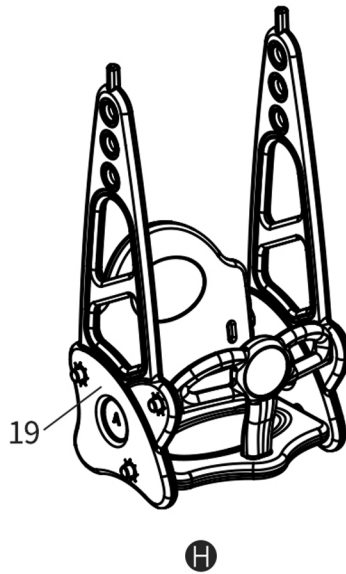
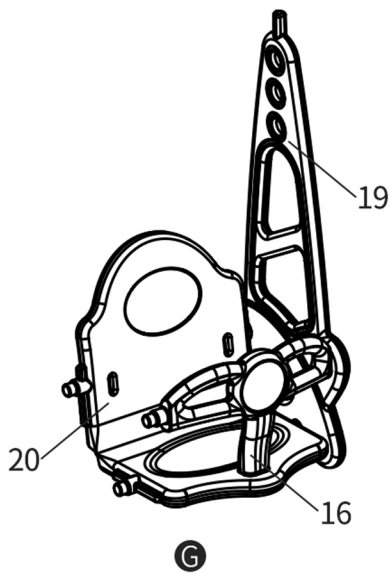
B. Connect the Part 5 to the Part 6, secure with Screw 24.

C. Attach the Step A assembled parts to the Step B assembled parts, secure with 7pcs Screw 27 on each side.



Insert the 2pcs 17 and 1pc 14 into the holes in the Part 7, and secure with 3pcs Screw 26 each side.

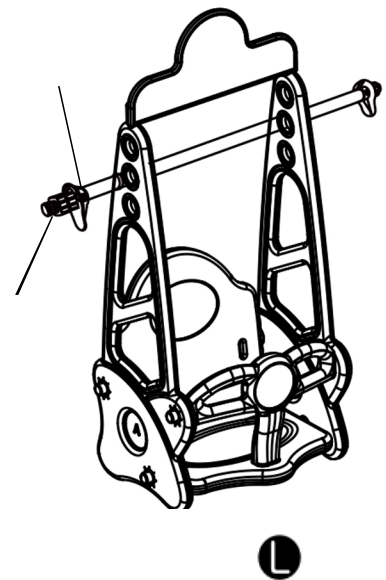
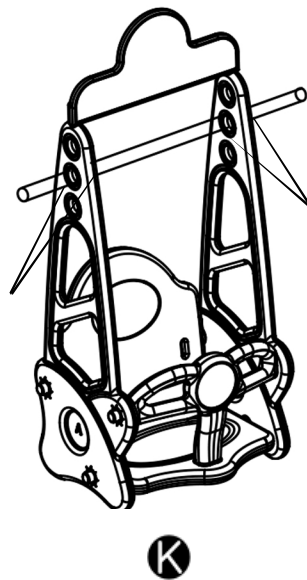
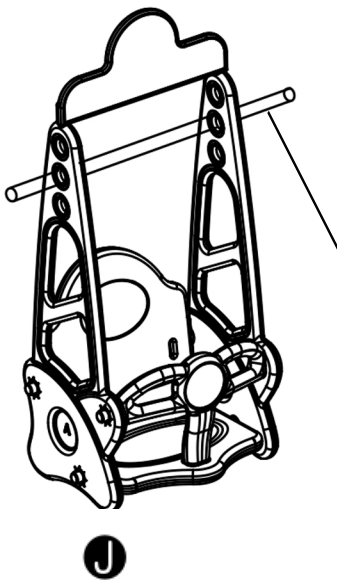
# ⓘ ASSEMBLY



G. Connect the Part 16 and Part 20 to the 2 Part 19, secure with 4pcs Screw 28.

H. Connect another Part 19 to the Step G assembled parts, secure with 3pcs Screw 28.

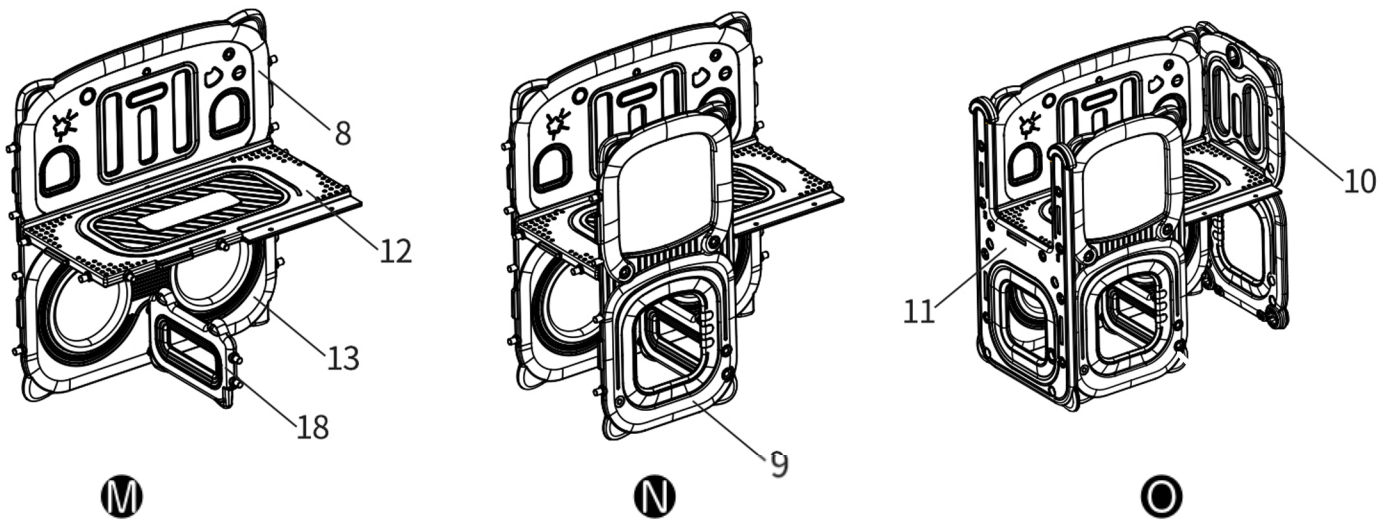
I. Insert Part 22 to the Part 19.



J & K. Insert the Part 21 into the 2pcs Part 19, secure with 4pcs Lock Pin 30.

L. Connect the 2pcs Part 31 to the Part 21, secure with 2pcs Screw 32.

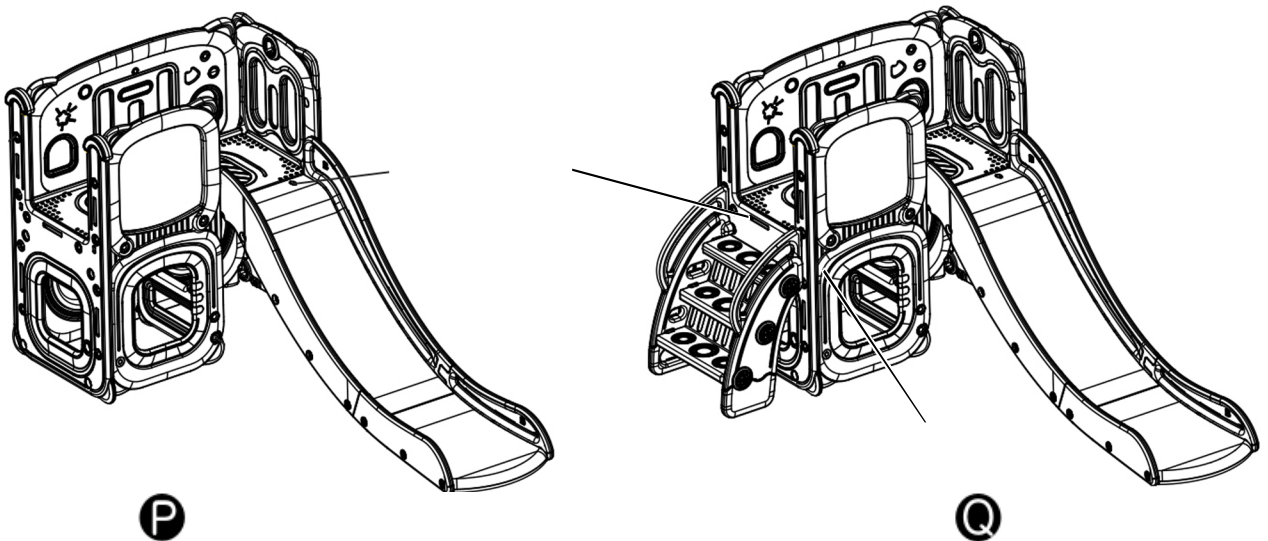
# ⓘ ASSEMBLY



M. Connect the Part 8, Part 12, Part 13 and Part 18 together, secure with 5pcs Screw 25.

N. Connect the Part 9 to the Part 12 & 18, secure with 4pcs Screw 25.

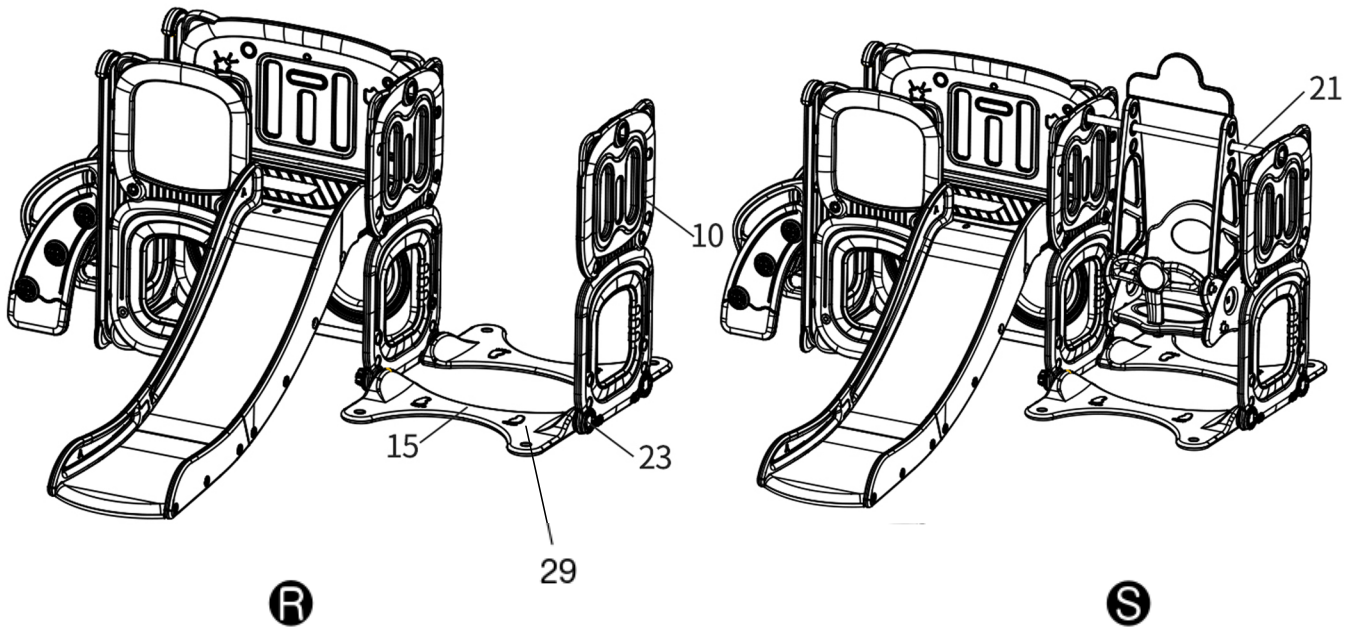
O. Connect the Part 10 & 11 to the Step N assembled parts, secure with 16pcs Screw 25.



P. Connect the Step C assembled parts to the Step O assembled parts, secure with 2pcs Screw 33.

Q. Connect the Step F assembled parts to the Step P assembled parts, secure with 2pcs Screw 25.

# ⓘ ASSEMBLY



R. Connect the 2pcs Part 15 & Part 10 to the Step Q assembled parts, secure with 4pcs Screw 23 and 2pcs Screw 29.

S. Connect the Step L assembled parts to the Step R assembled parts with Part 21, secure with and 2pcs Screw 23.





## GENERAL SAFETY INSTRUCTIONS

This product is intended for indoor, outdoor, home, domestic use only. It is not suitable for commercial or medical use.

The assembly of the product must be done carefully and by an able-bodied adult. If in any doubt, ask a technically qualified person.

Do not use the product if it is damaged or defective. If it is damaged or defective, please contact a qualified technician.

Check the product before each use. Defective parts must be changed immediately as they can impair the function and the safety of the product.

Use the product only on even and non-slip surfaces. Keep sufficient space around for safety.

Beware that when using tools or doing technical work, there is always a risk of injuries. Assemble the product with care.

After installing the product according to the instruction manual, ensure all screws, bolts and nuts are correctly installed and tightened and that all joints are secure.

Do not make alterations to the product. Only use original spare parts. Only qualified technicians should carry out repairs - improper repairs can lead to danger for the user. Use this product only as described in this manual.

## IMPORTANT

The owner's manual contains safety, assembly, use and maintenance instructions. The product must be assembled by an adult who has read and understood these instructions. Keep the packaging away from children and dispose of all packaging before use.

## OPERATION INSTRUCTIONS

Provide adult supervision at all times.

The disassembled product contains small parts which pose a choking hazard to children under 3.

Dress children appropriately, including wearing well-fitting shoes that fully protect feet.

Instruct children:

- to sit in the center of the swings with their full weight on the seats,
- to avoid swinging empty seats,
- to slide feet first; one child down slide at a time,
- to remove articles, before playing on equipment, that create hazards when they get tangled and caught.
- not to walk close to, in front of, behind, or between moving items,
- not to get off equipment while it is in motion.

Never allow children to use the equipment in a manner other than intended. Do not swing while standing or slide down head first.