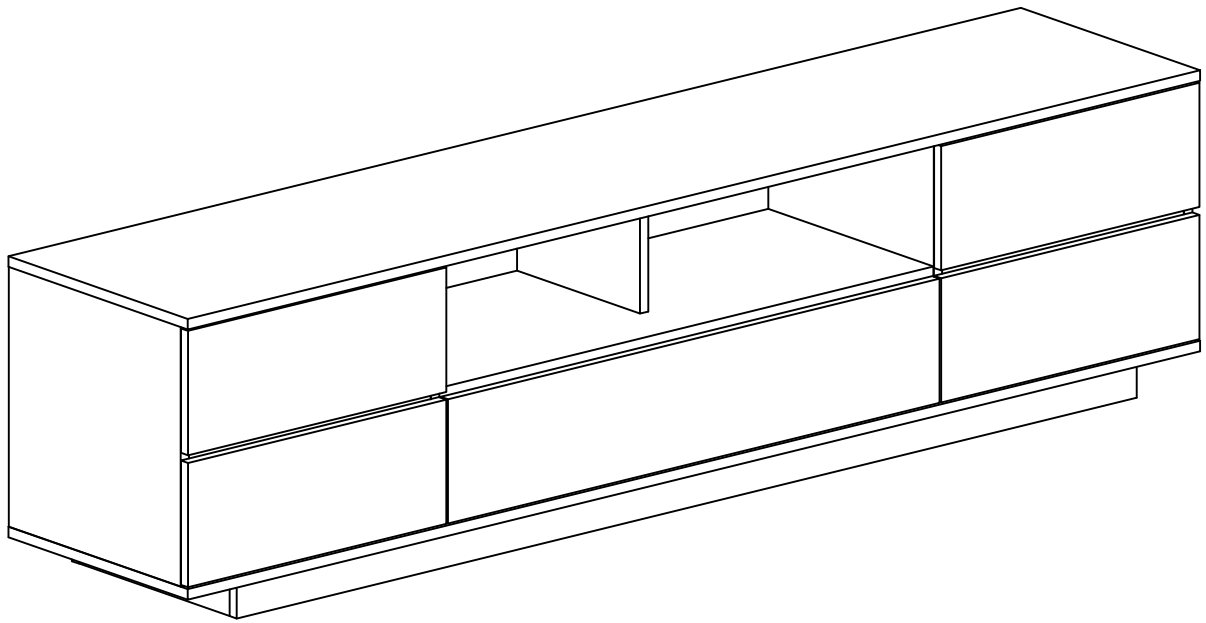


TV STAND

USER MANUAL



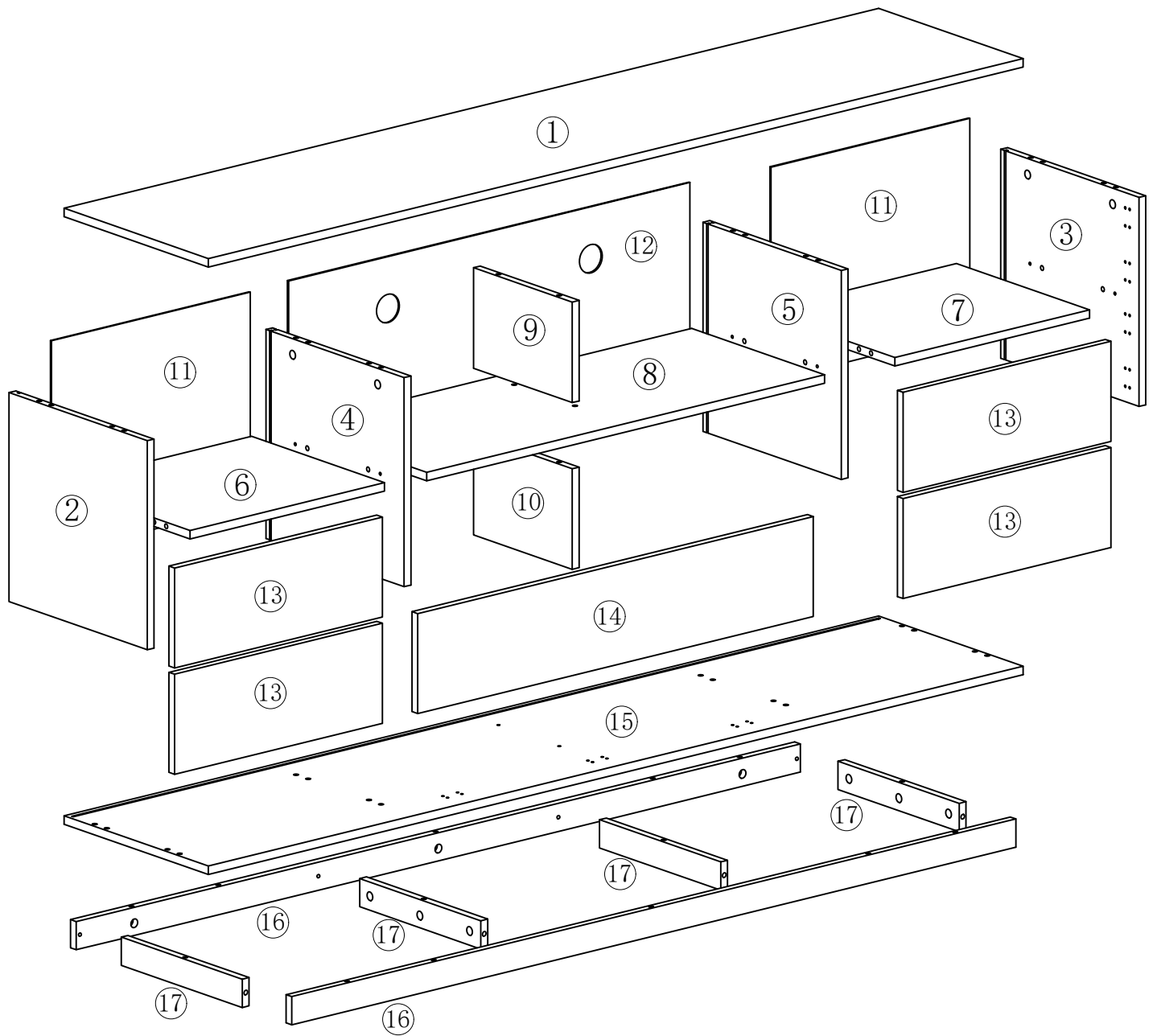
SAVE THESE INSTRUCTIONS FOR FUTURE USE

PLEASE DO NOT RETURN TO STORE



**Please do not return this product to the retailer!!We
are able to assist you in ANY way**

If you find that you have any trouble with assembly or missing
or damaged parts please contact the seller.

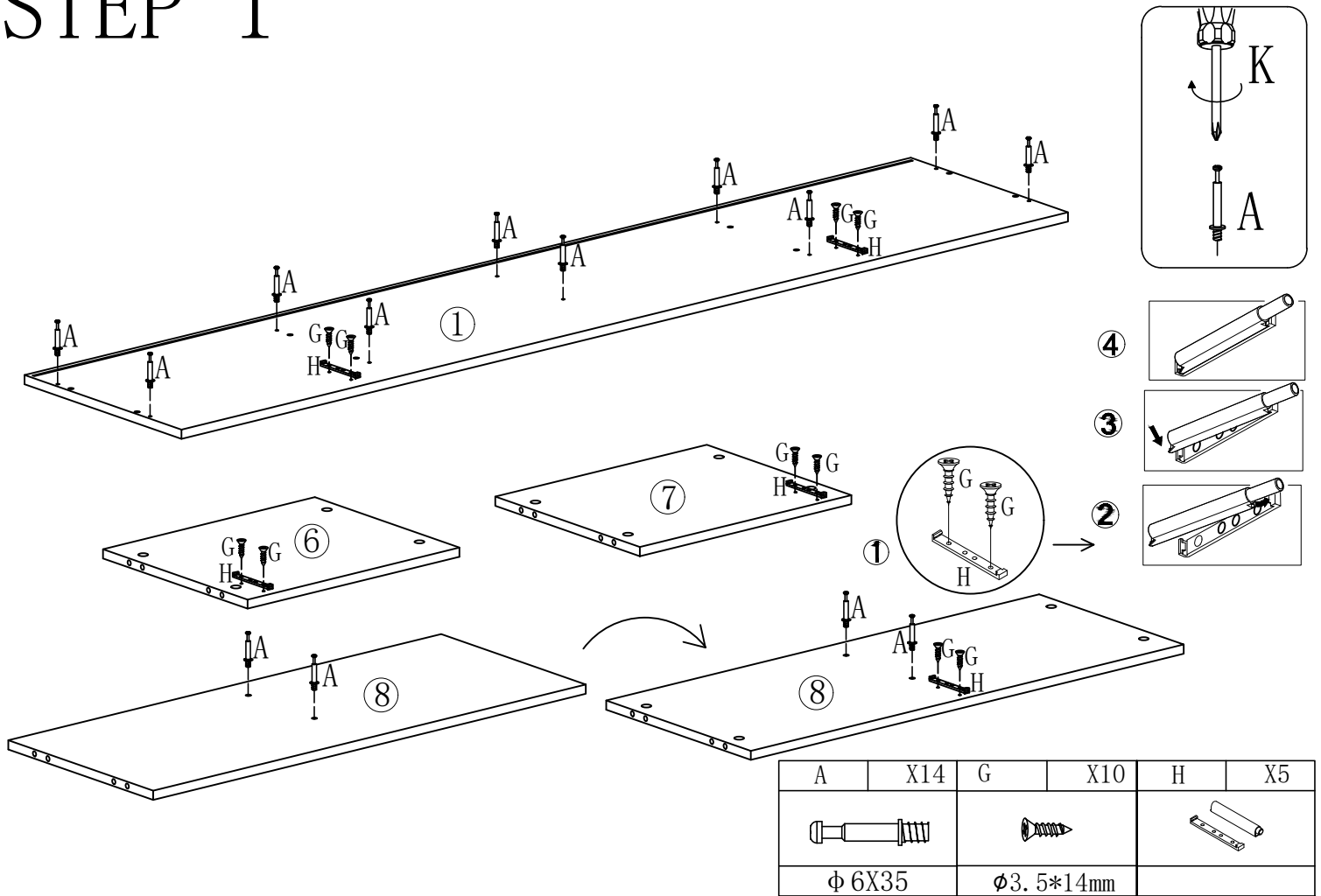


A	X44	B	X44	C	X24	D	X4
φ 6X35		φ 15X12		φ 8X30		φ 8X50	

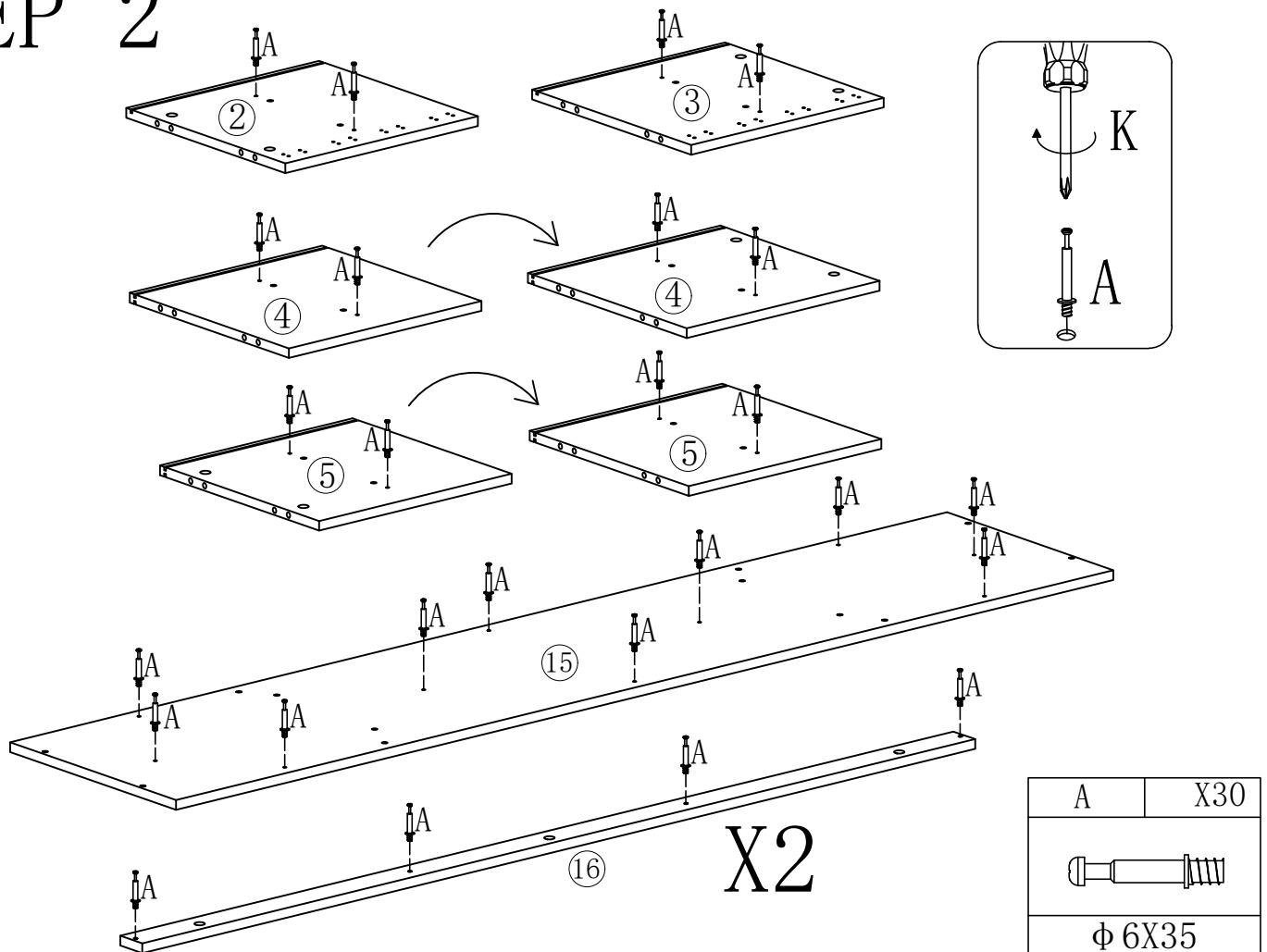
E	X10	F	X1	G	X76	H	X5
φ 7X47		M4X55		φ 3.5*14mm			

I	X8	J	X3	K	X1

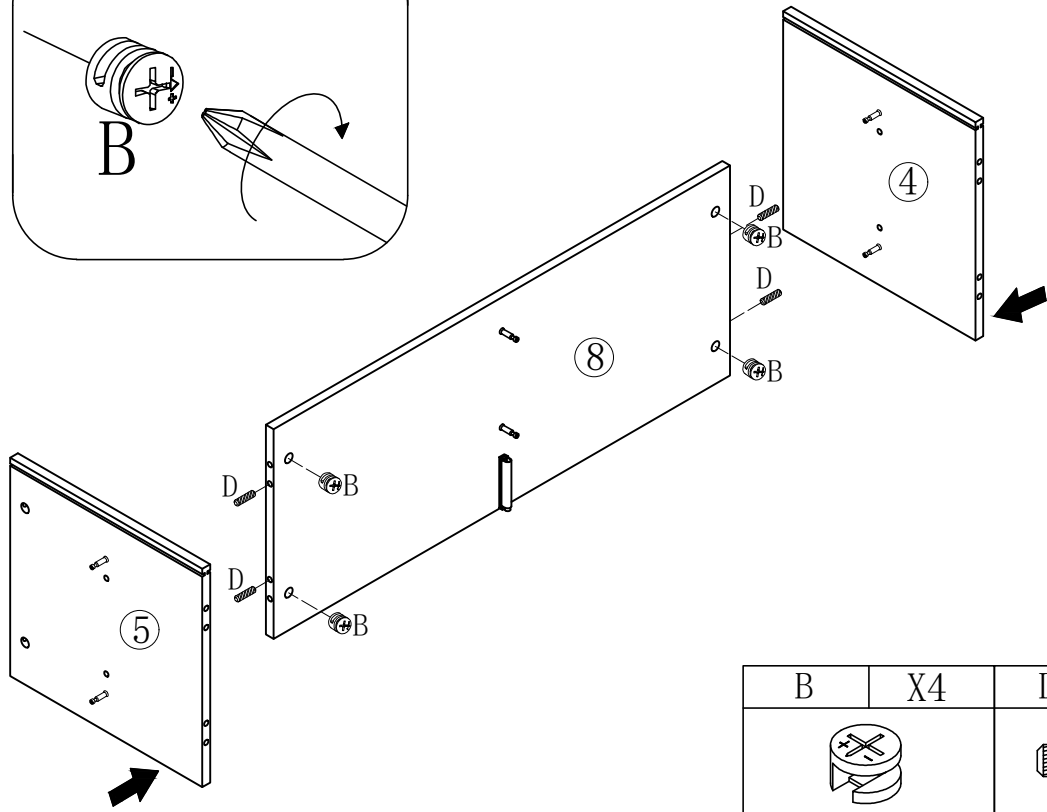
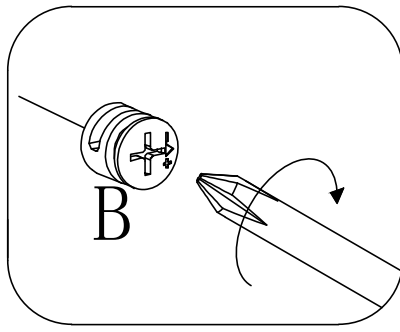
STEP 1





STEP 2

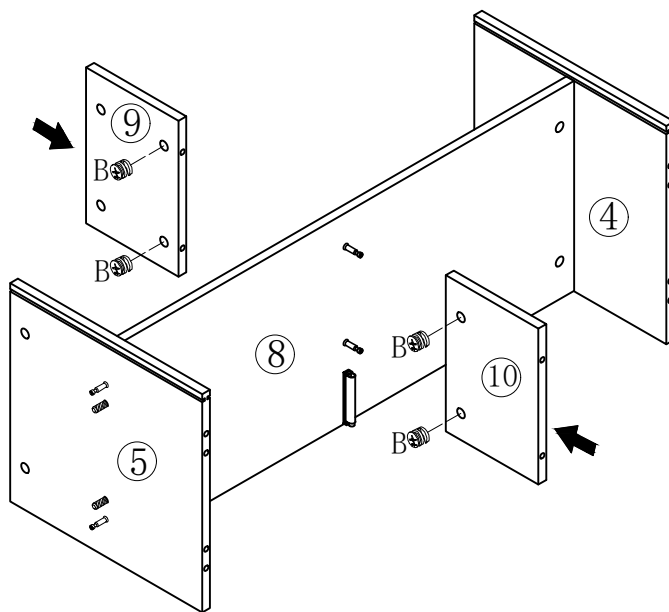
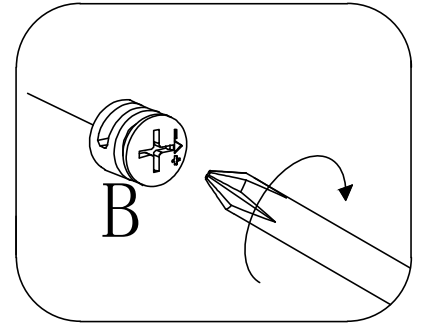



STEP 3



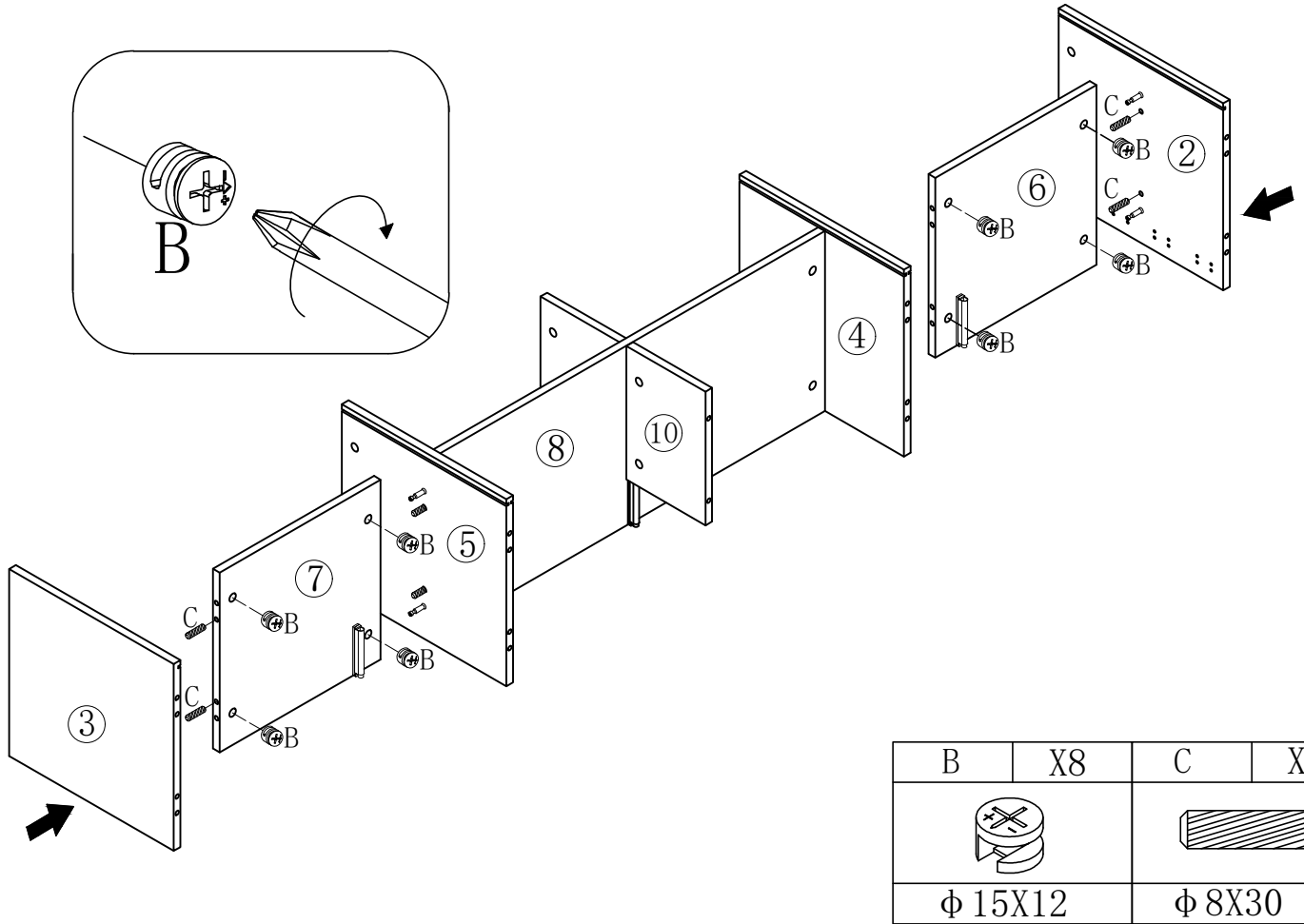
B	X4	D	X4
			
ϕ 15X12		ϕ 8X50	

STEP 4

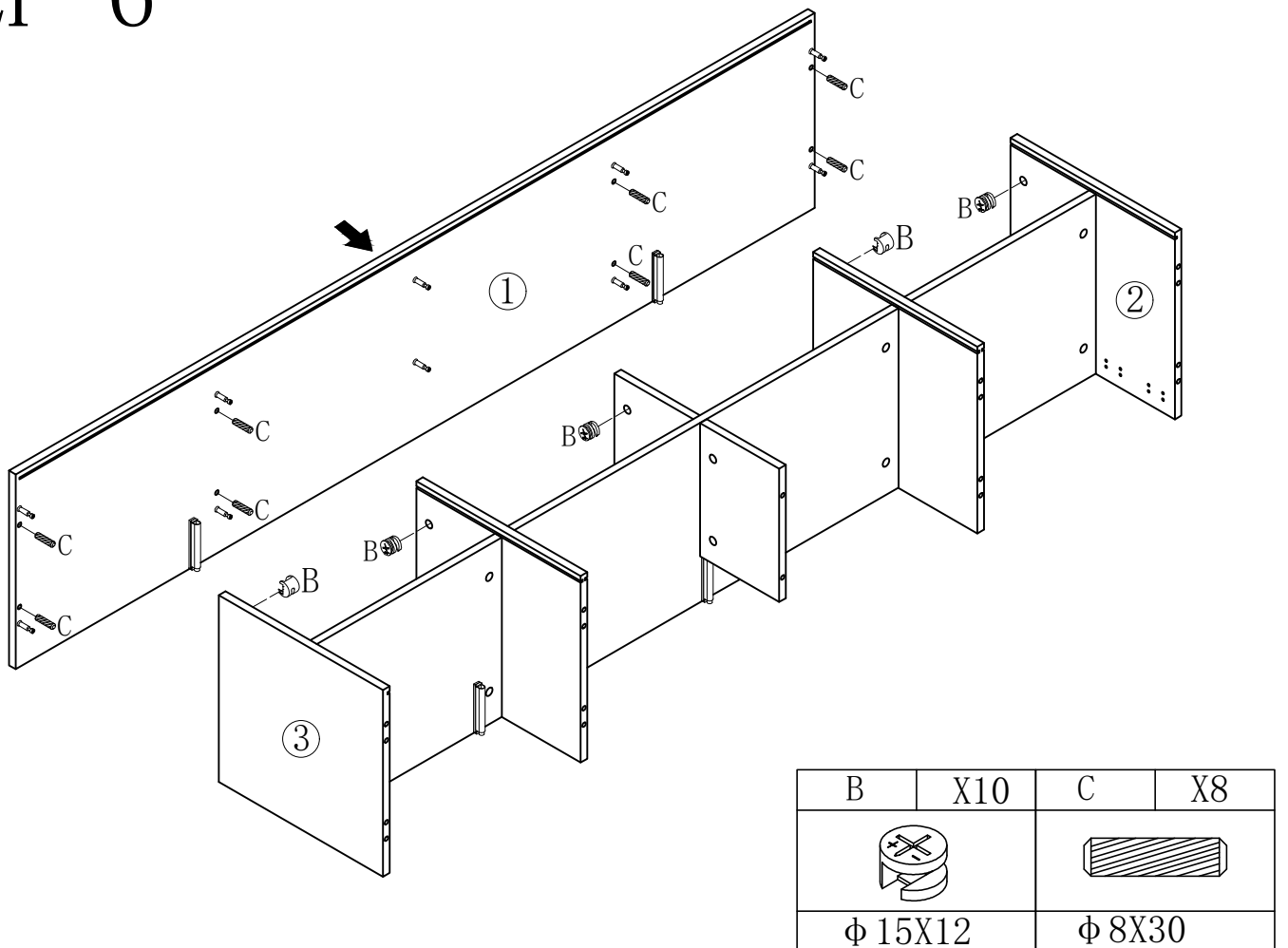


B	X4
	
ϕ 15X12	

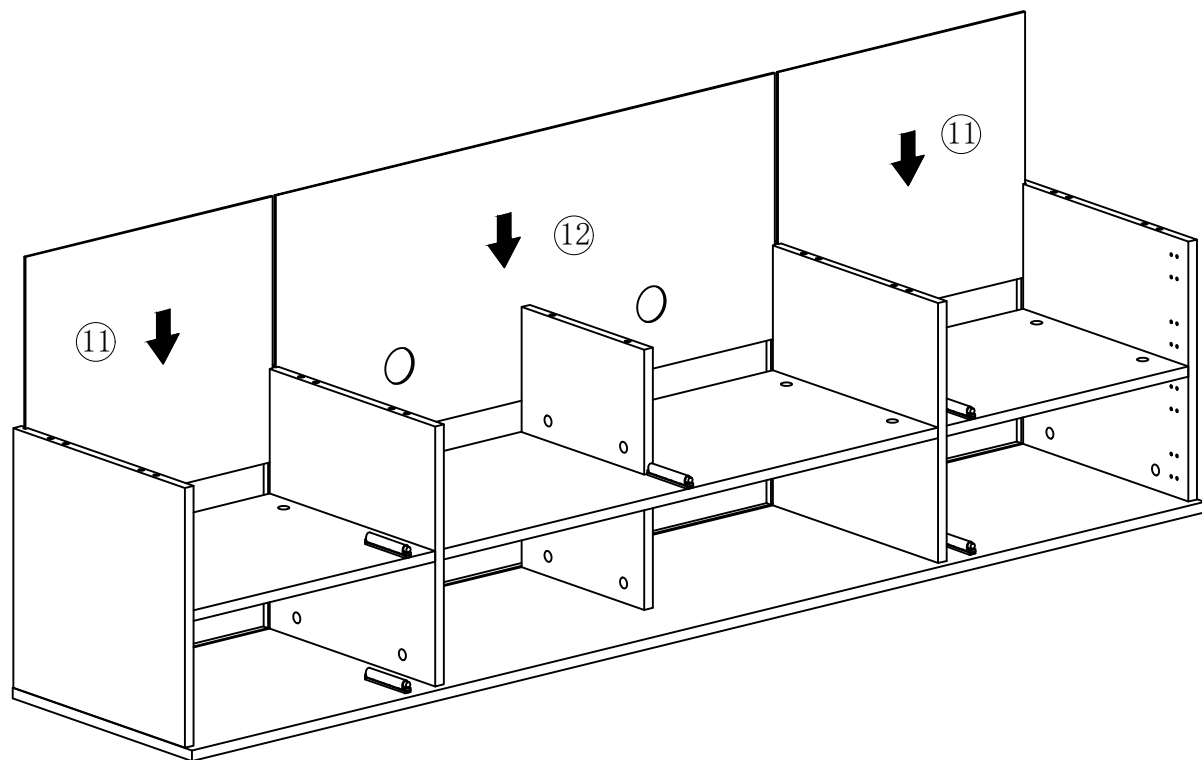
STEP 5



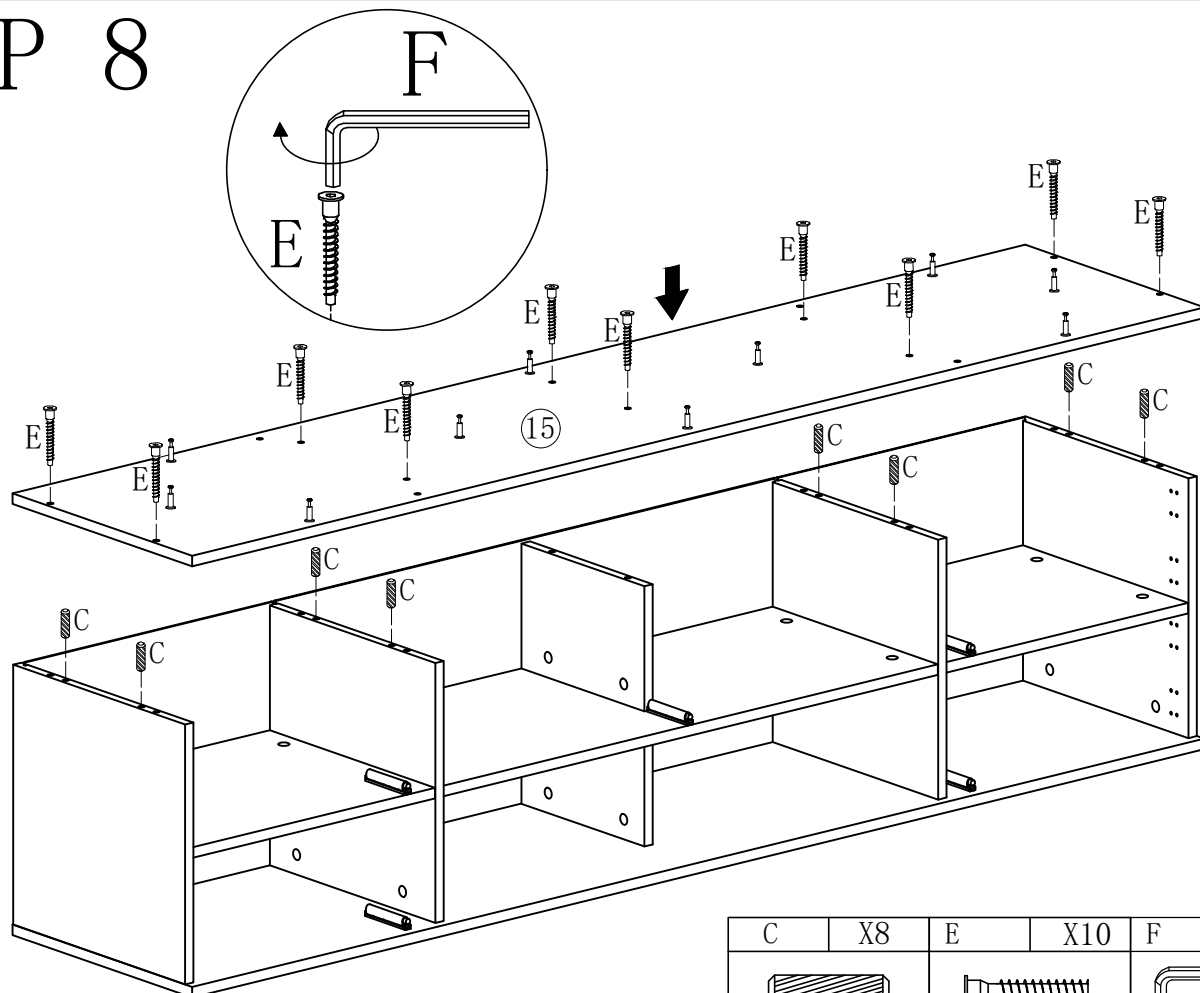
STEP 6


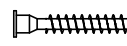



STEP 7

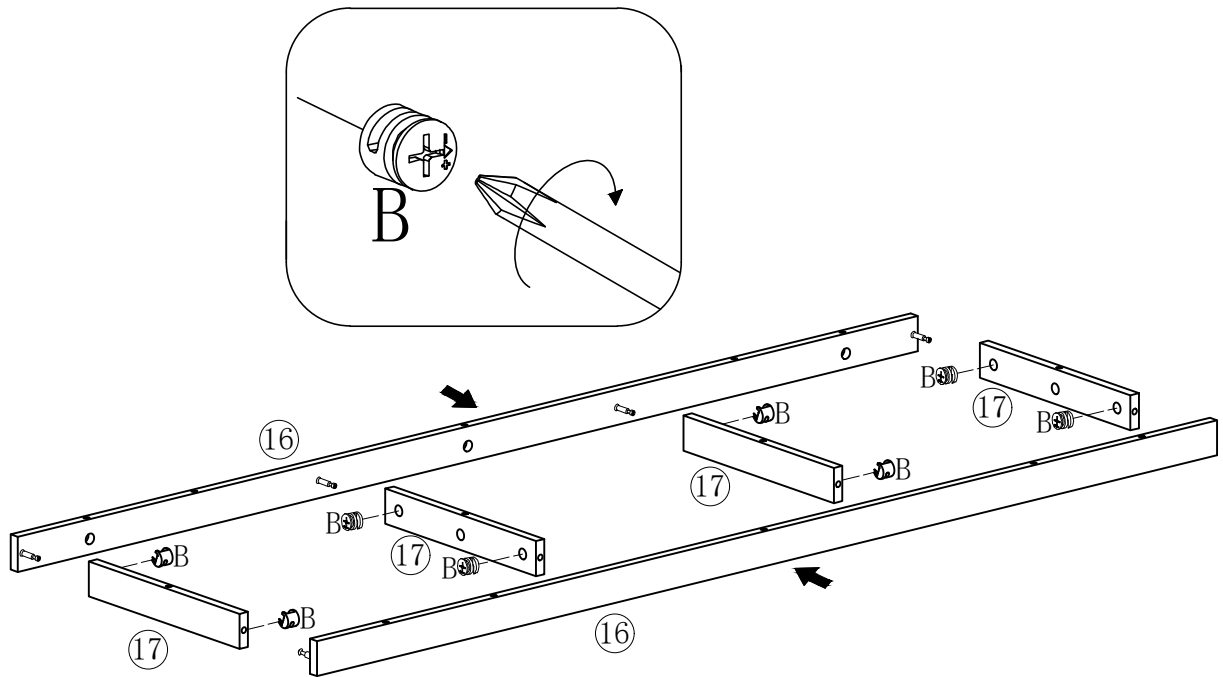


STEP 8



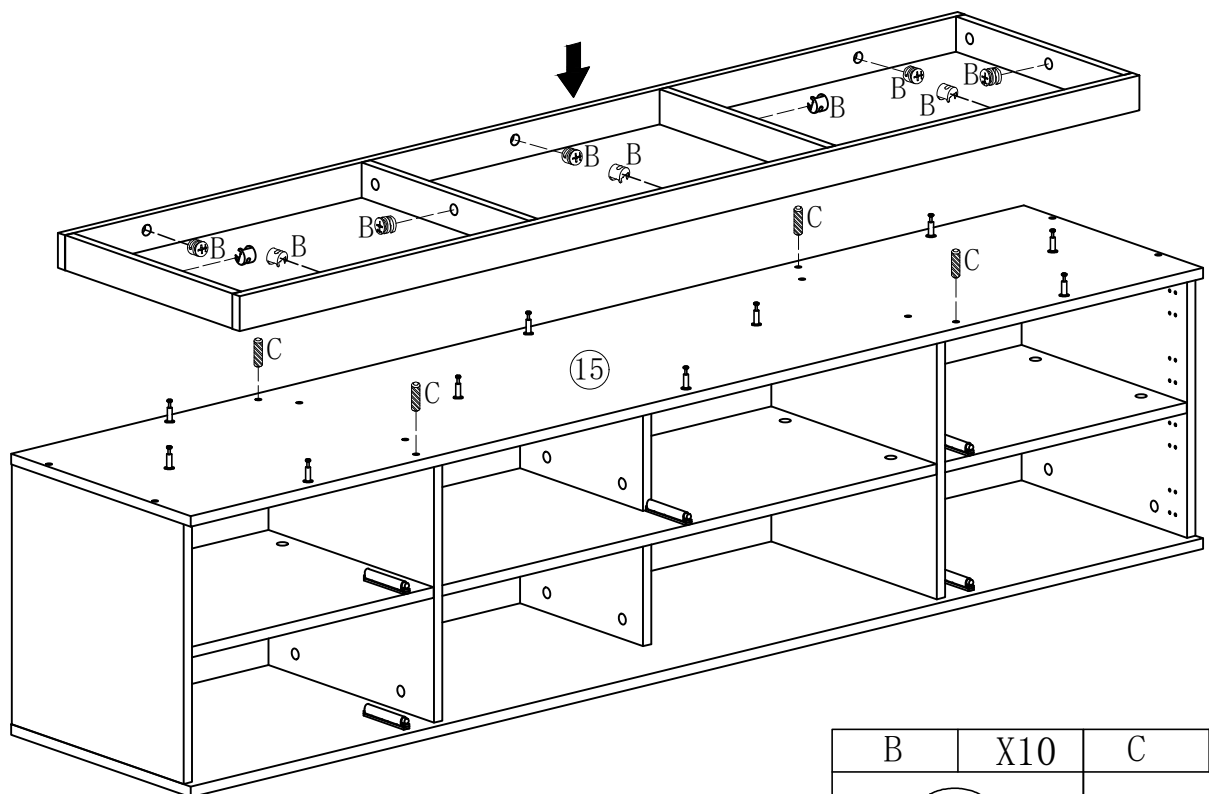
C	X8	E	X10	F	X1
					
φ 8X30		φ 7X47		M4X55	

STEP 9



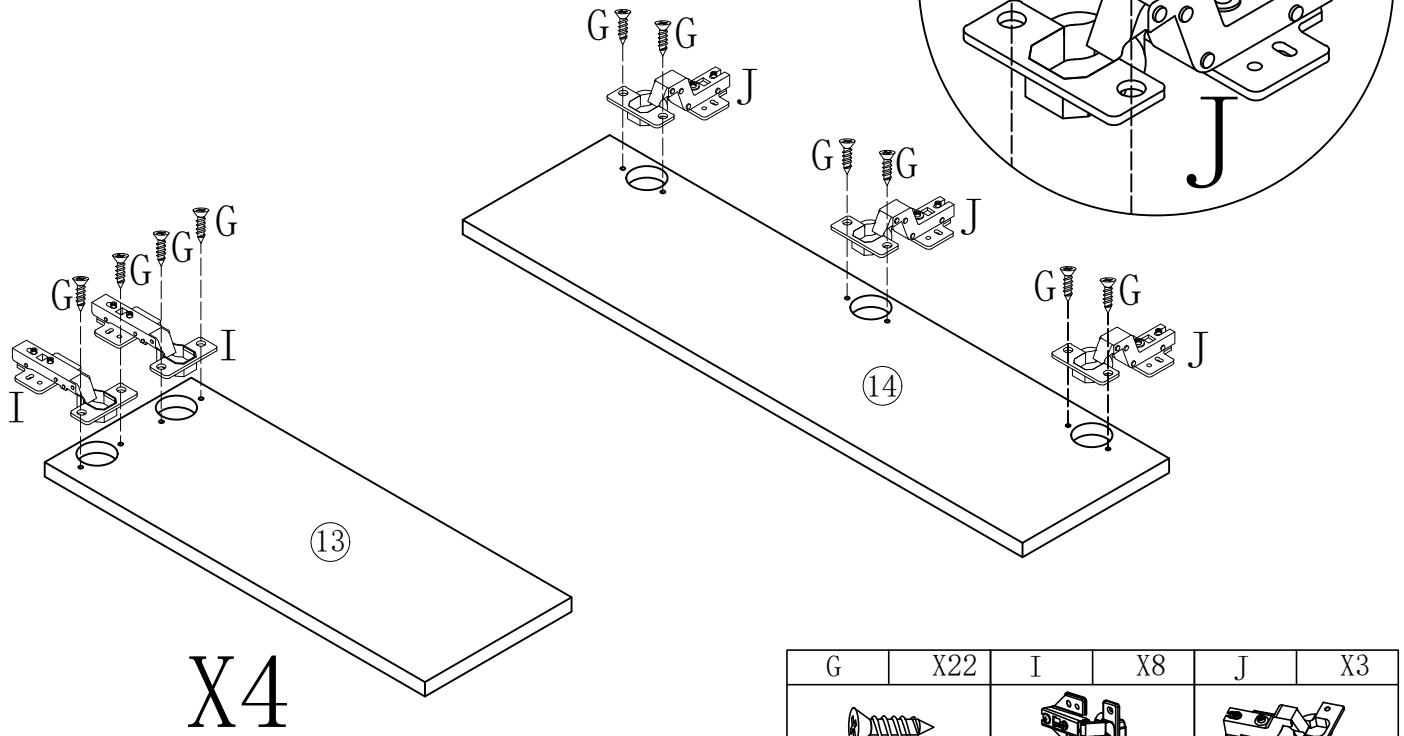
B	X8
φ 15X12	

STEP 10






B	X10	C	X4
φ 15X12		φ 8X30	

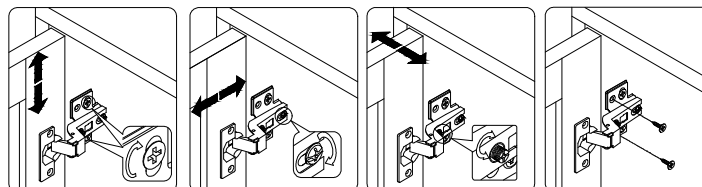
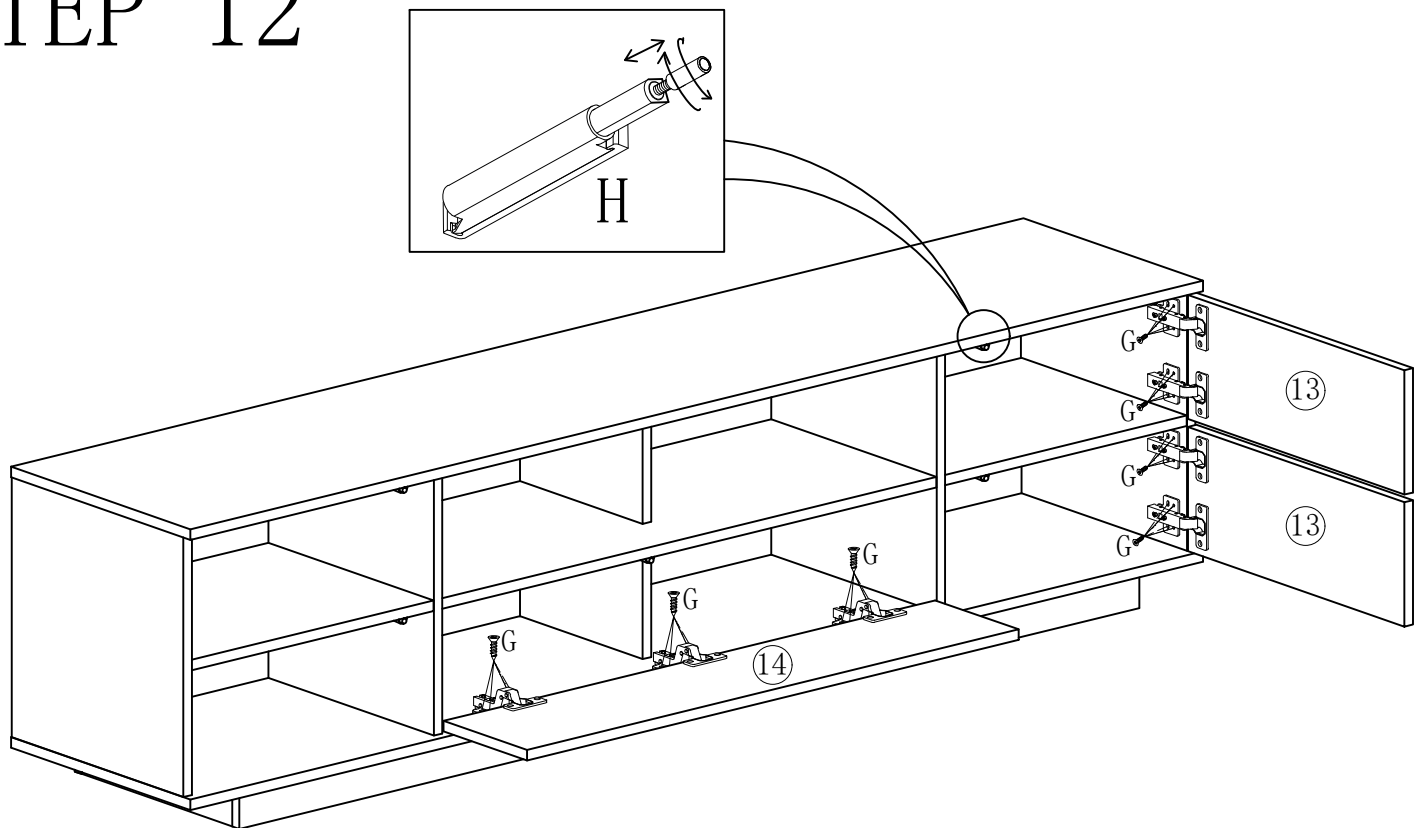
STEP 11




X4

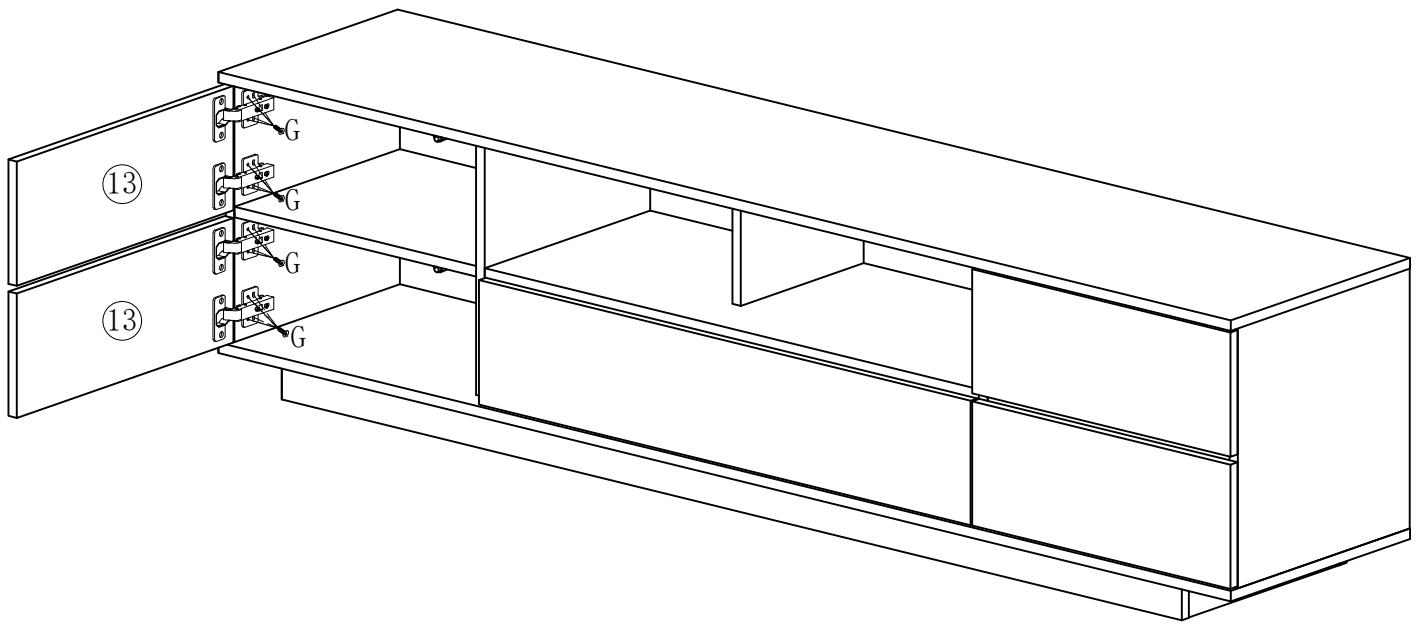
G	X22	I	X8	J	X3
					
3.5*14mm					


STEP 12



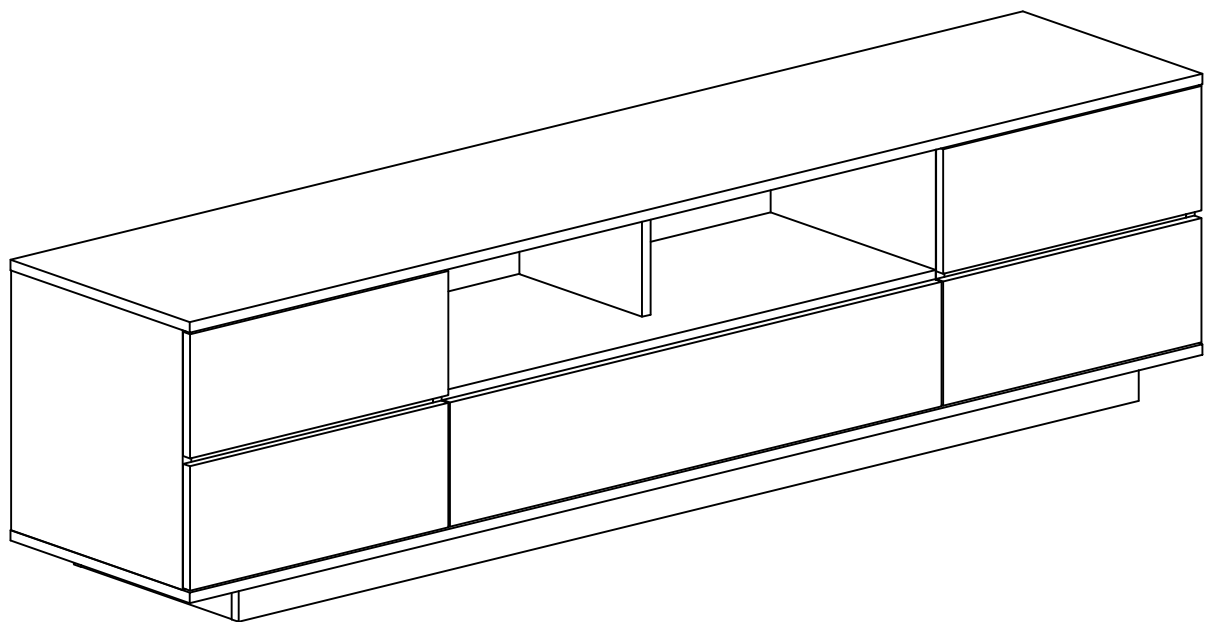
G	X28
	
3.5*14mm	

STEP 13

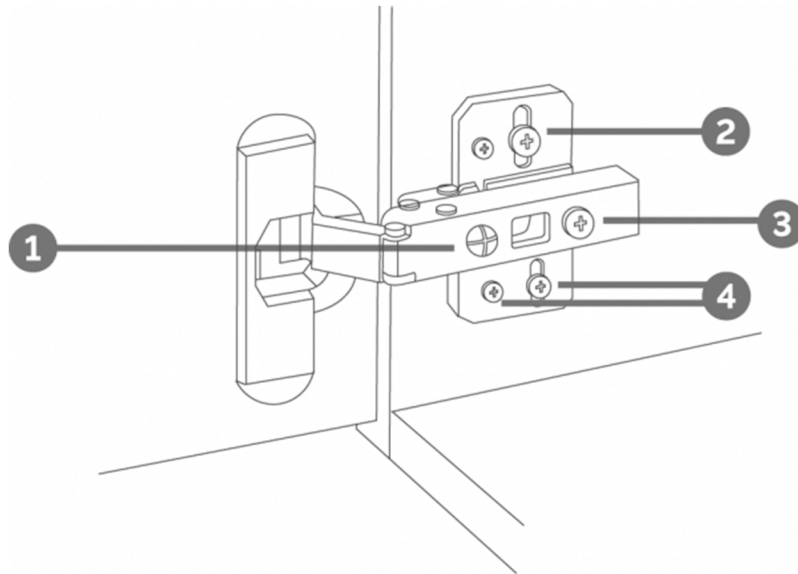


G	X16
	
3.5*14mm	

STEP 14

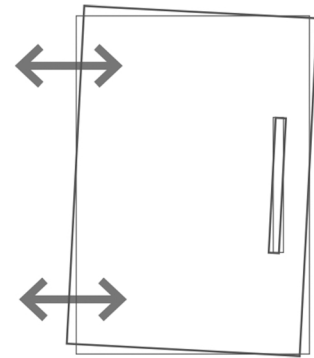


HINGE ADJUSTMENTS



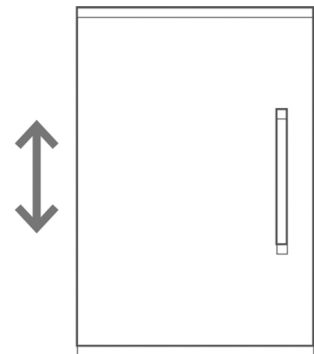
1 Sideways / Tilt adjustment

Turn the screw
clockwise to move the door further away from
the side of the cabinet
anticlockwise to move the door closer to the
side of the cabinet



2 4 Height adjustment

While supporting the weight of the door, turn the
screws
clockwise to move the door up
anticlockwise to move the door down



3 Forward and back adjustment

If the gap between the back of the door and the
cabinet is too small, and the door may not close
fully. Turn the screw
clockwise to decrease the gap between the
door and the cabinet
anticlockwise to increase the gap between the
door and the cabinet

