



ASSEMBLY INSRTRUCTIONS

24" Bathroom Vanity



PLEASE DO NOT RETURN TO STORE



**Please do not return this product to the retailer!!
We are able to assist you in ANY way**

If you find that you have any trouble with assembly or missing or damaged parts please contact the seller.

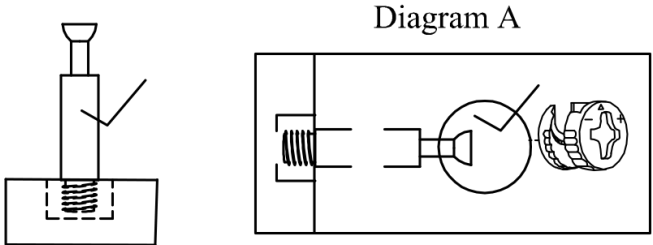
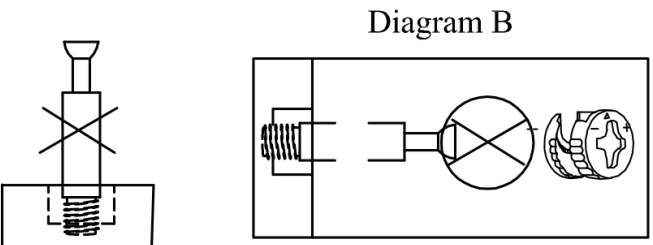
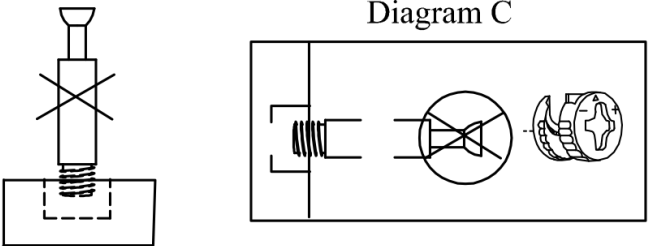
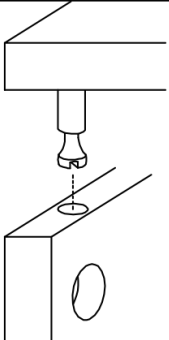
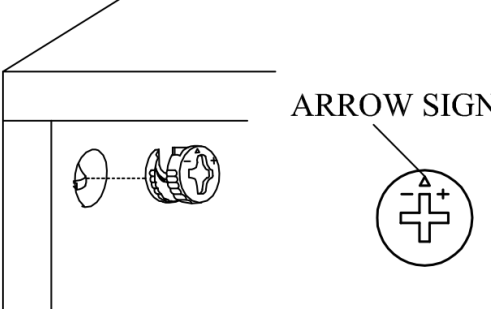
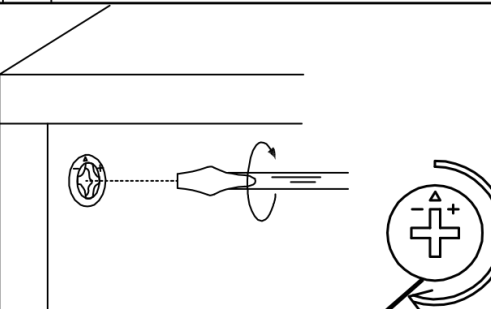
Before Installation

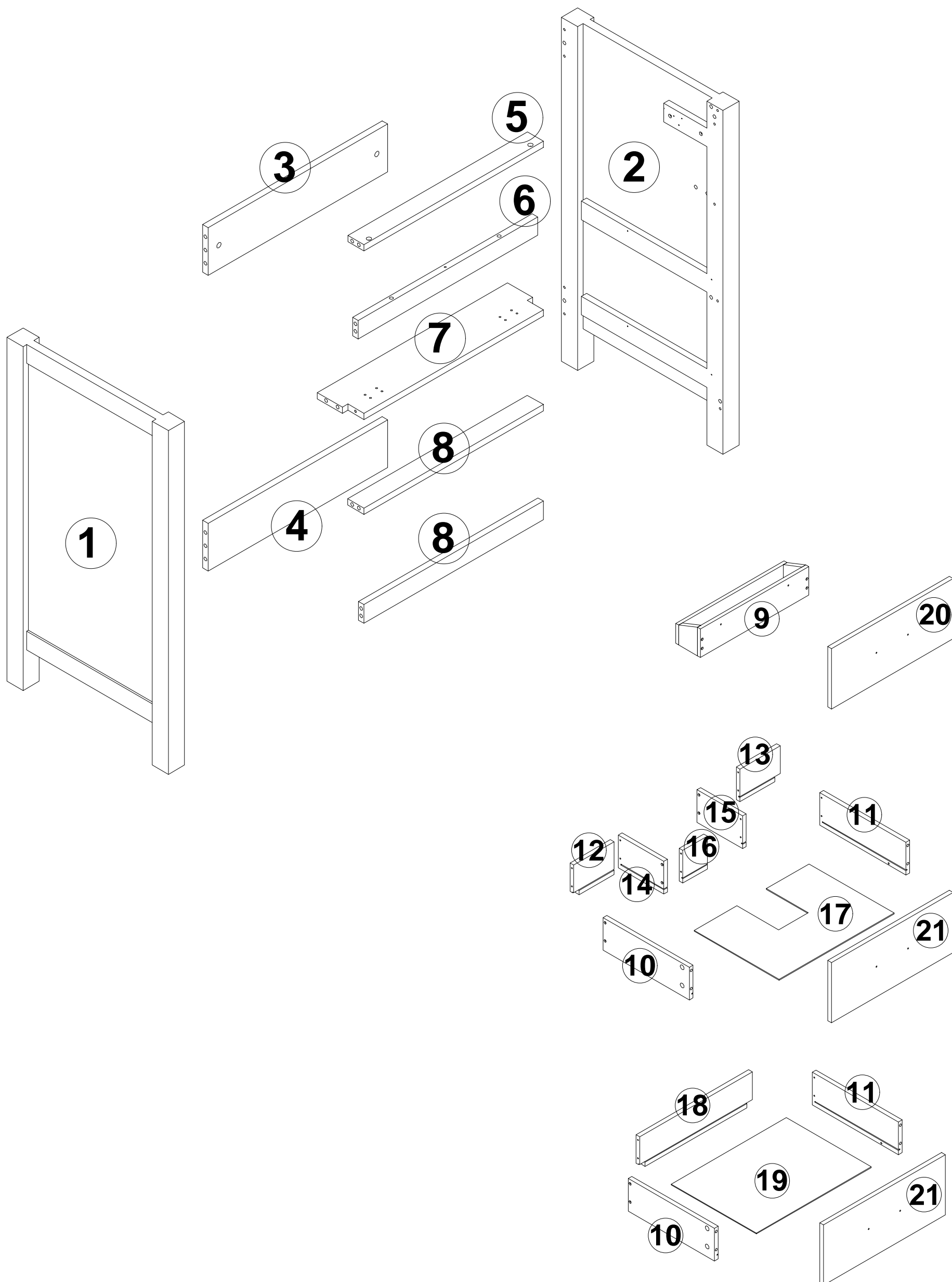
Important – Please read these instructions fully before starting assembly

Thank you for purchasing this quality product. Be sure to check all packing materials carefully for small parts, which may have come loose inside the carton during shipment. Identify and count all items according to the PARTS LIST and/or HARDWARE LIST shown below. Check you have all the components and tools listed on the following pages.

- We recommend that you assemble this product with the assistance of another person; this will make the assembly easier, and will help eliminate damage to the product or injury to persons during assembly.
- Please do not over tighten screws or bolts until the assembly is completed.
- Keep children and animal away from the work area, small parts could choke if swallowed.
- Please put all parts on a non-abrasive floor before assembly, and follow the assembly steps to assemble your newly purchased product correctly and efficiently.

Cam Lock Assembly Instructions

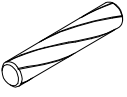
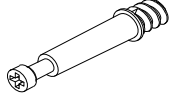

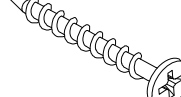


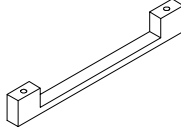
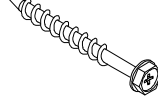

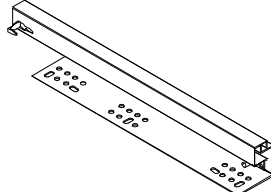
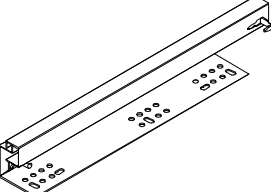
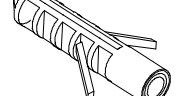

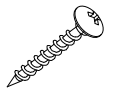
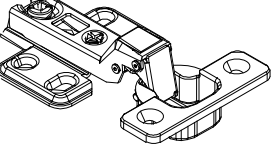
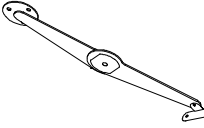
	<p>Diagram A</p> <p>Insert Cam Bolt into hole as shown in diagram A.</p>
	<p>Diagram B</p> <p>Make sure not to insert the Cam Bolt: Too deep as shown in figure B as this will cause the Cam Lock to be misaligned and unable to interlock properly.</p>
	<p>Diagram C</p> <p>Also avoid inserting the Cam Bolt too close to the surface of the hole as shown in figure C, as this will cause the Cam Lock to be too loose, and not interlock properly.</p>
	<p>Connect the panels together.</p>
	<p>ARROW SIGN</p> <p>Insert the Cam Lock so the side opening fits over the head of the Cam Bolt.</p>
	<p>To tighten the Cam Lock, turn it clockwise on half a turn with a flat screwdriver. <i>*Do not use an automatic screwdriver as it may bend or break if too much power is imposed.</i></p>





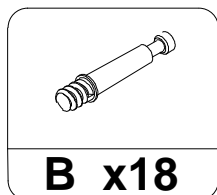
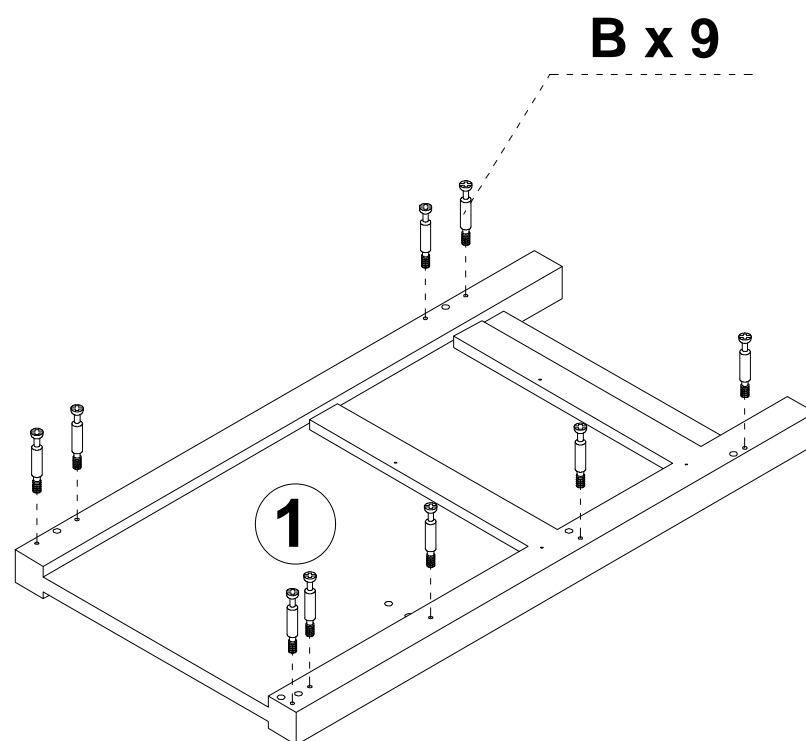
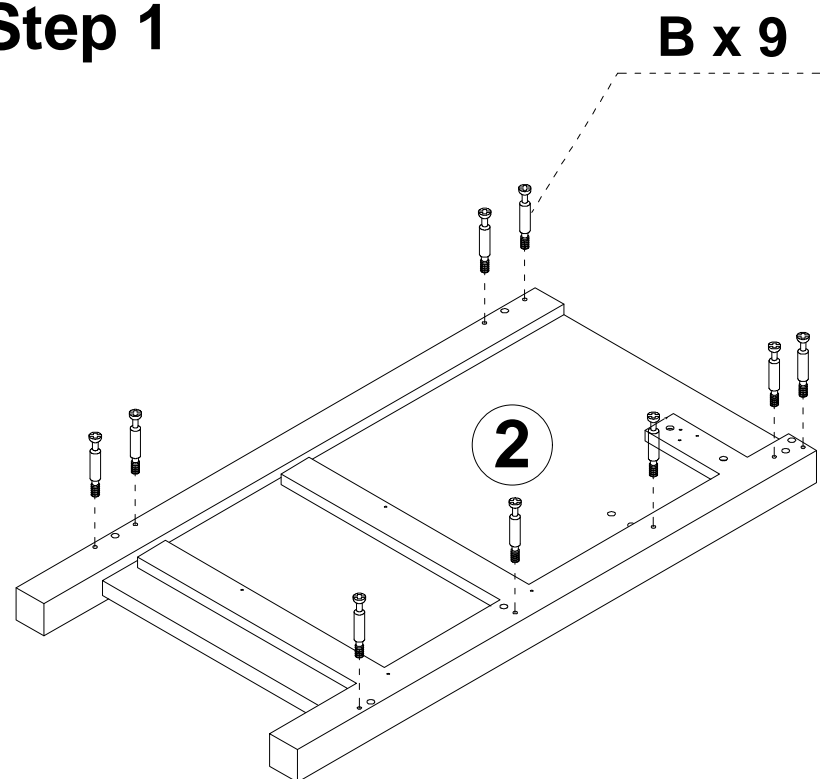
① x 1	② x 1	③ x 1	④ x 1
⑤ x 1	⑥ x 1	⑦ x 1	⑧ x 2
⑨ x 1	⑩ x 2	⑪ x 2	⑫ x 1
⑬ x 1	⑭ x 1	⑮ x 1	⑯ x 1
⑰ x 1	⑱ x 1	⑲ x 1	⑳ x 1
㉑ x 2			



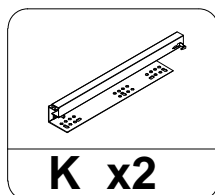
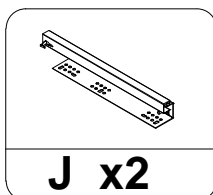
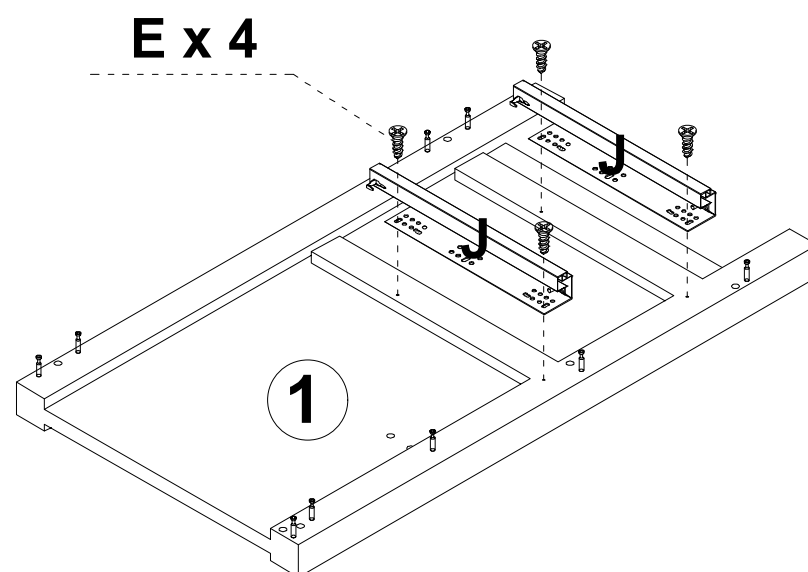
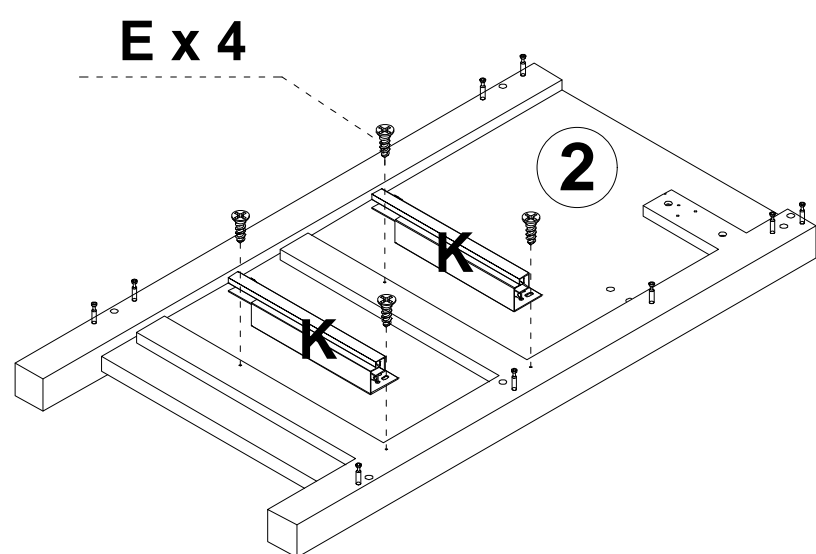
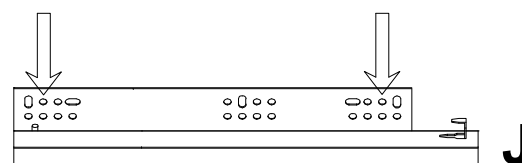
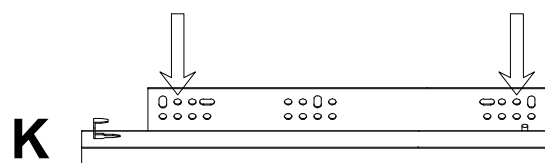
					
Φ8x30mm A x 17+2	B x 26+2	C x 26+2	Φ4x35mm D x 18+2	Φ4x14mm E x 29+3	Φ4x14mm F x 6
					
G x 3	Φ6x60mm H x 2	I x 2	J x 2	K x 2	L x 2
					
M x 4	Φ4x25mm N x 2	O x 2	P x 1		



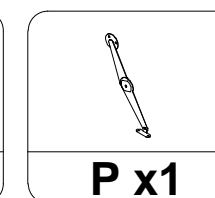
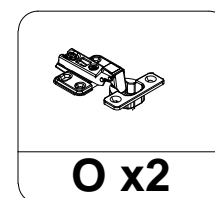
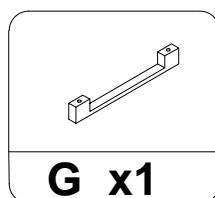
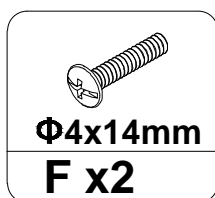
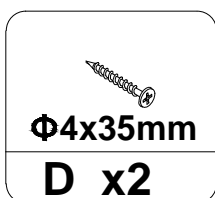
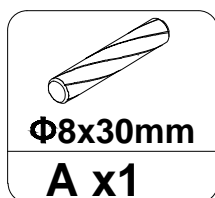
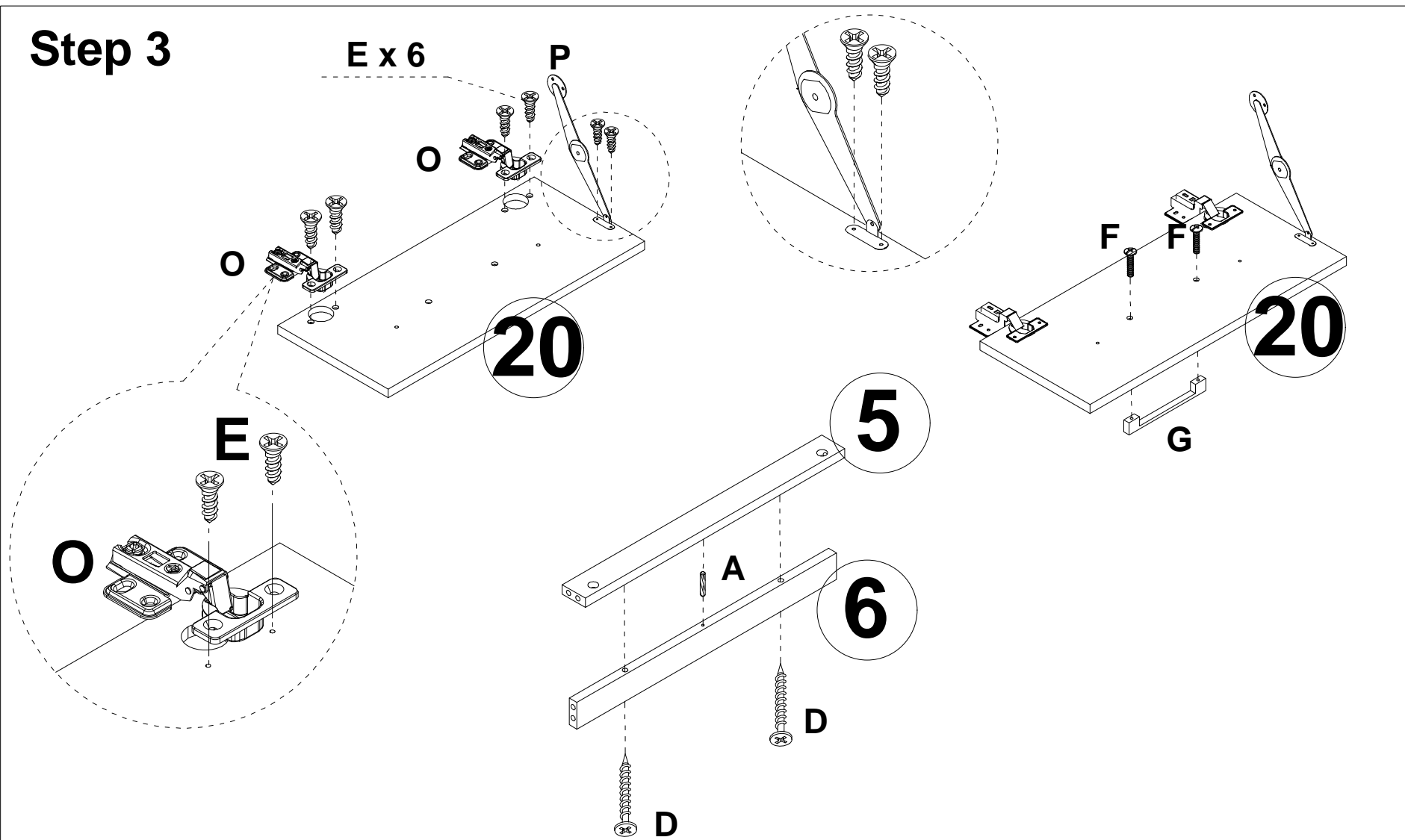
Step 1



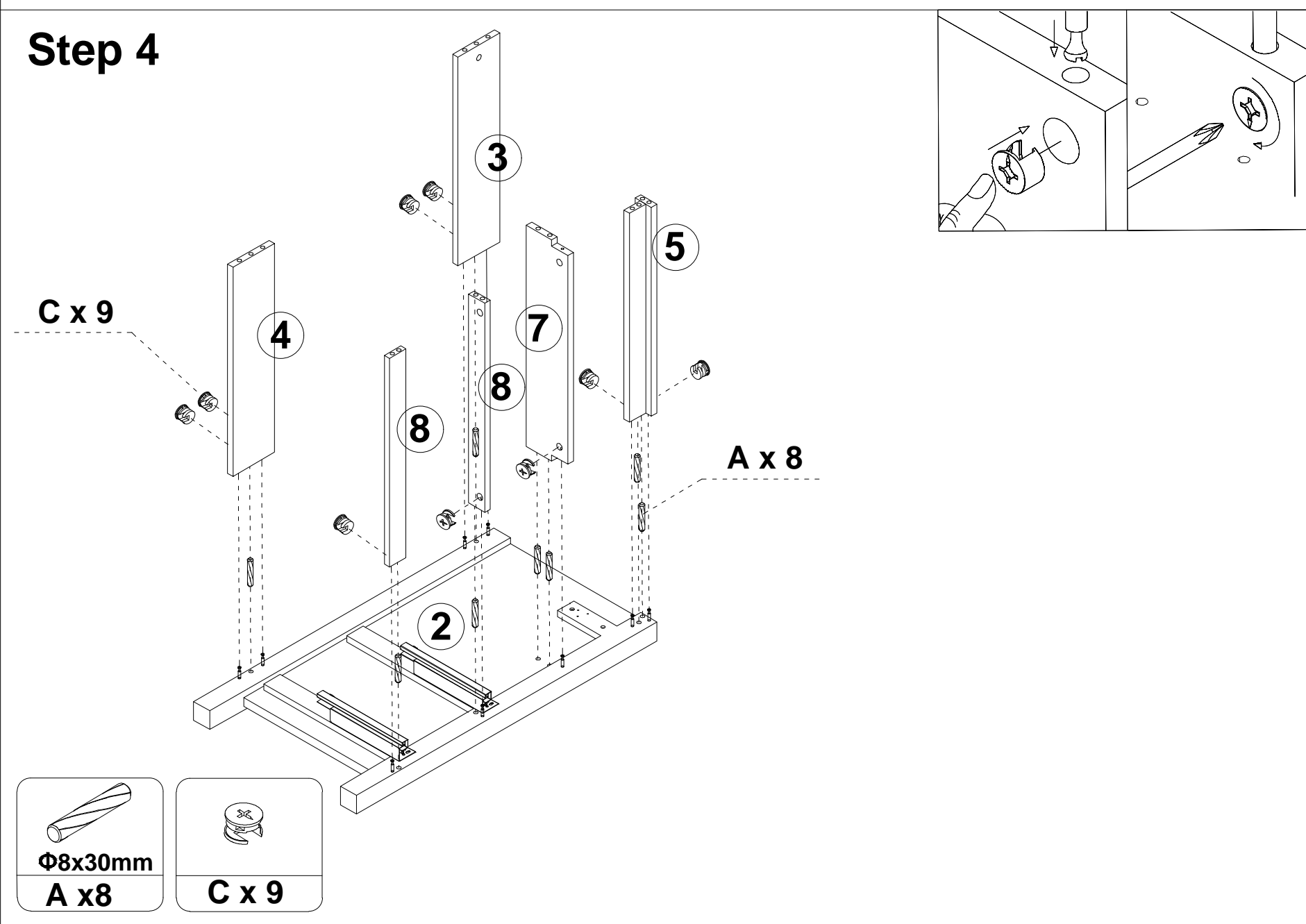
Step 2



Step 3

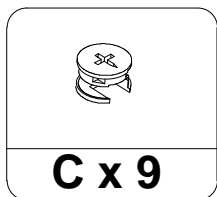
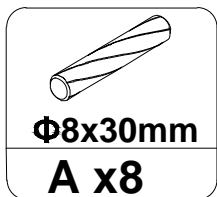
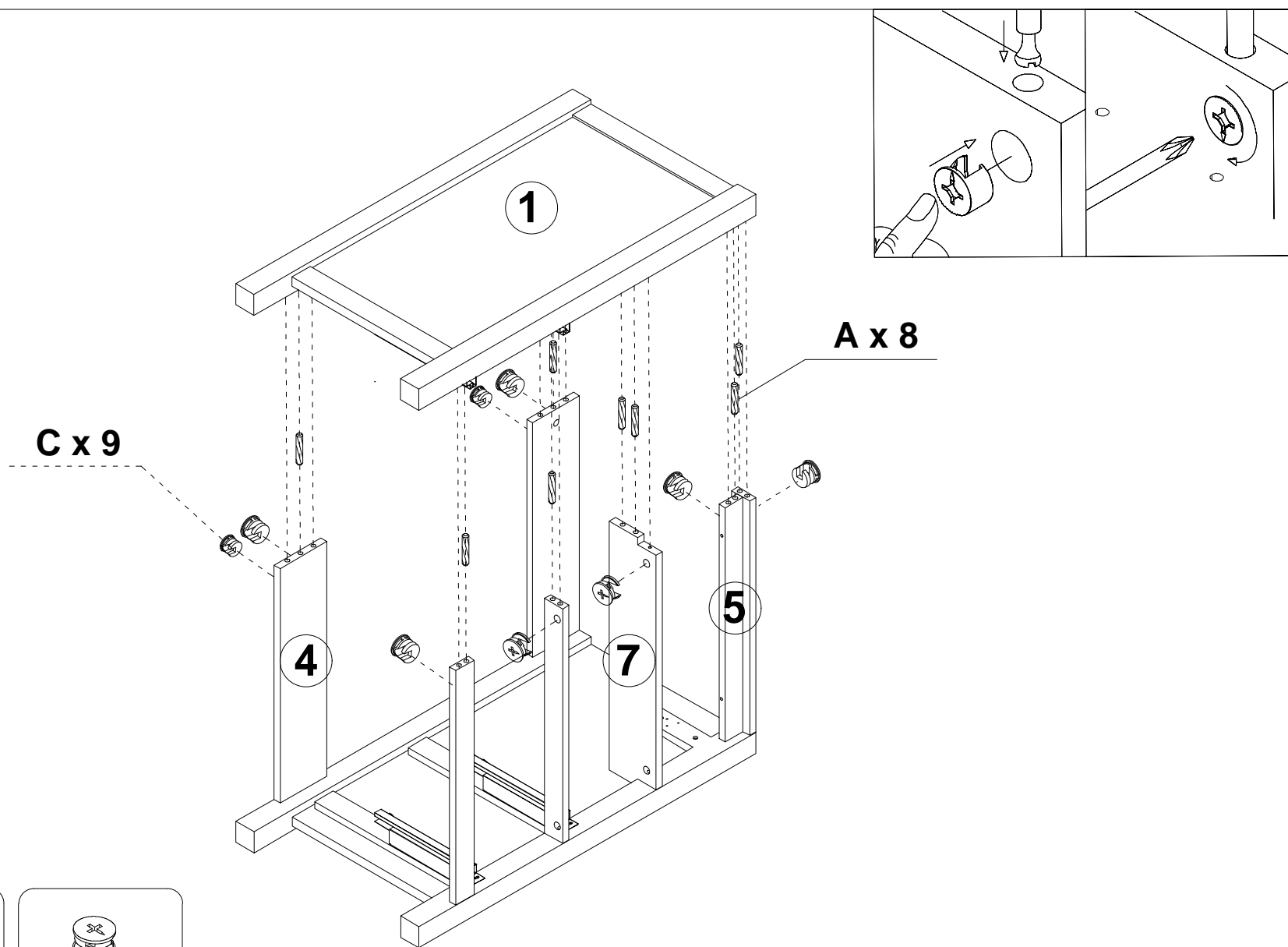


Step 4

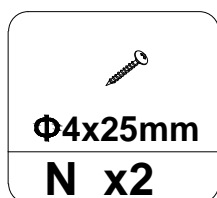
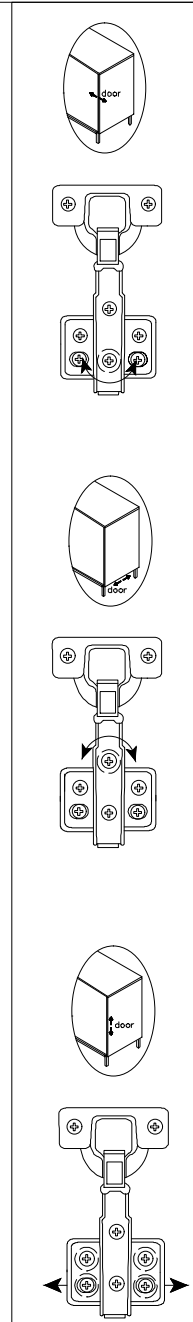
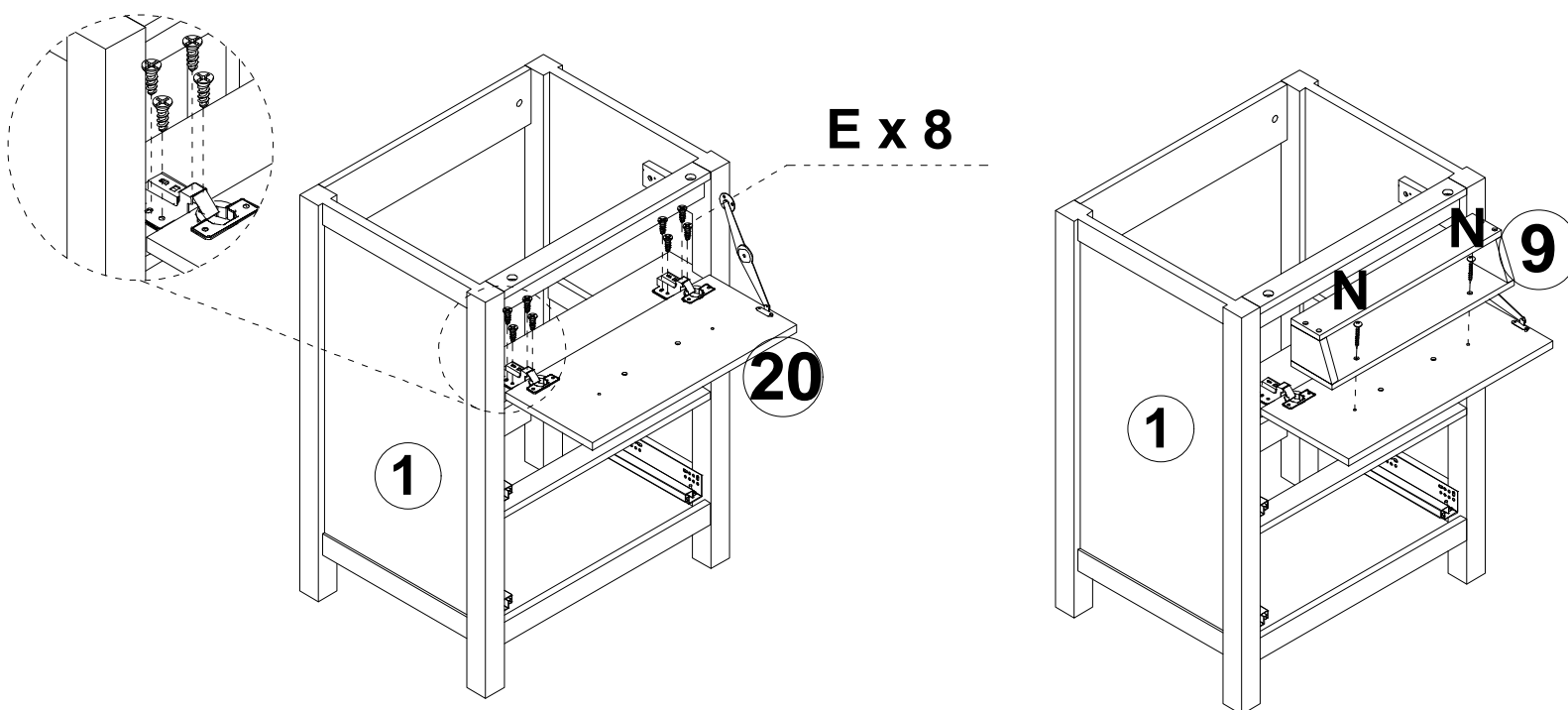




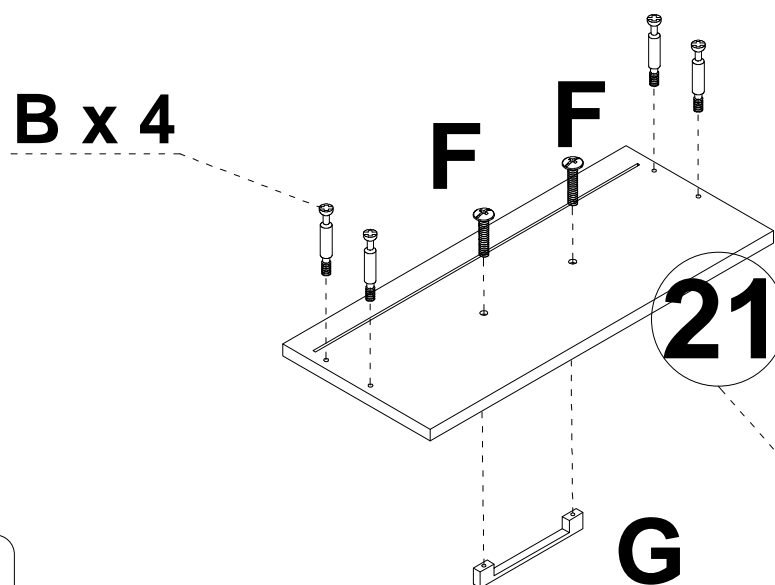
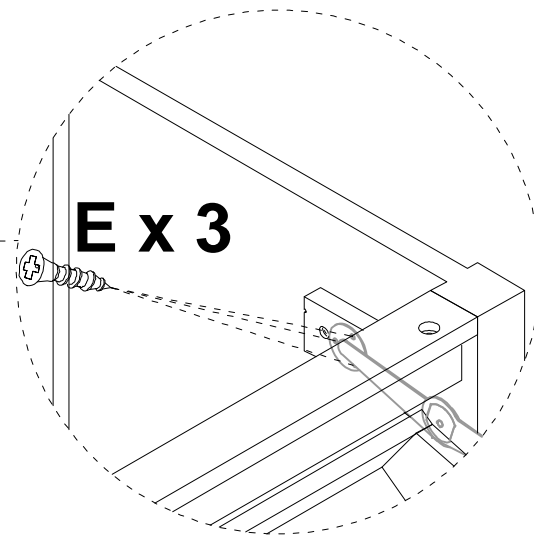
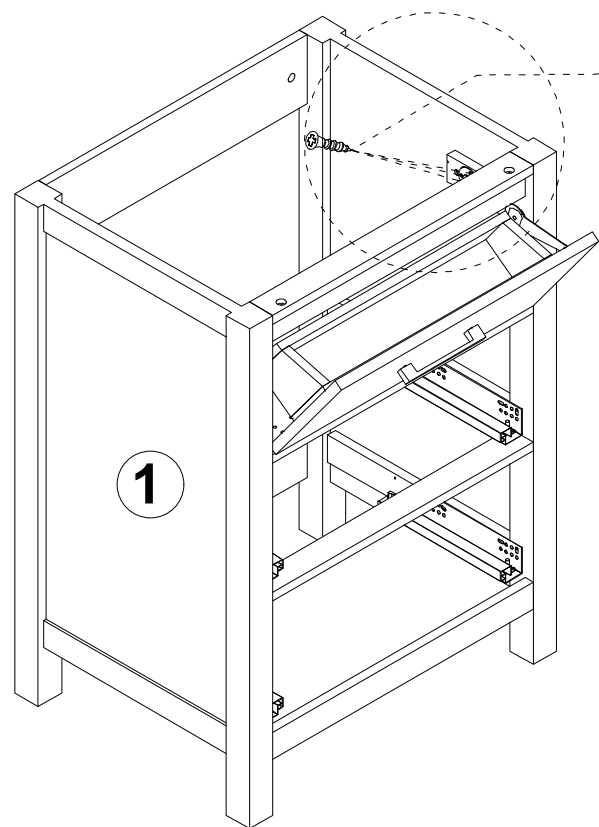
Step 5



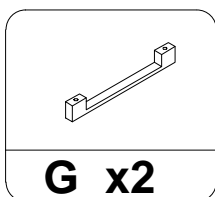
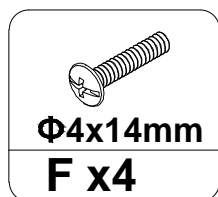
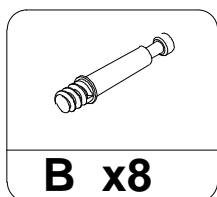
Step 6



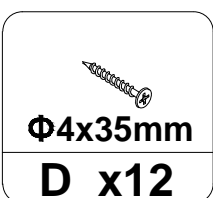
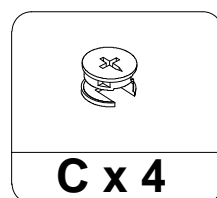
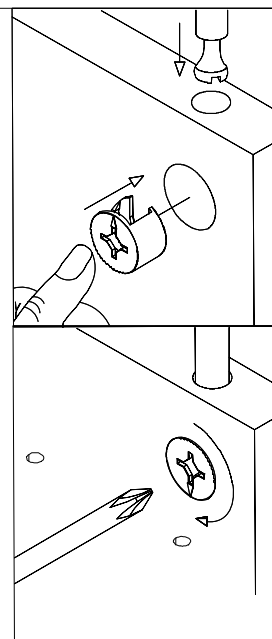
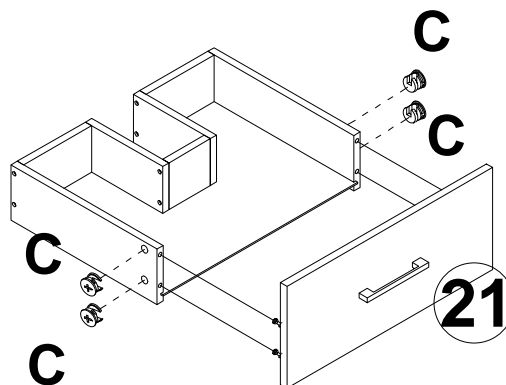
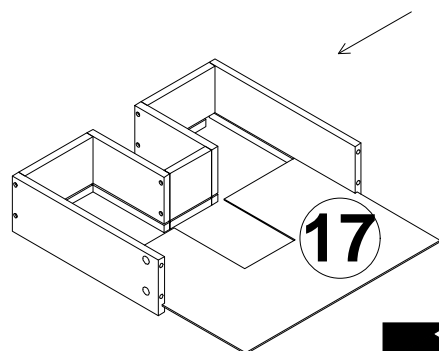
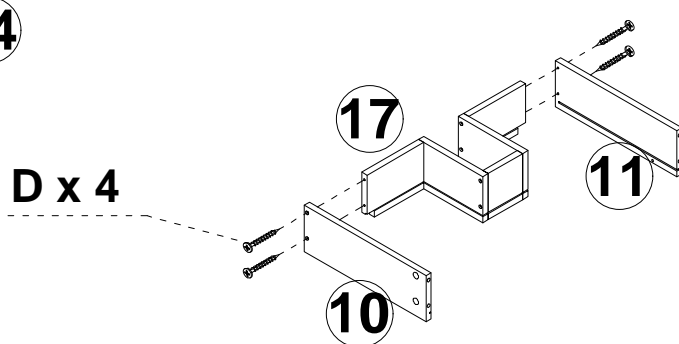
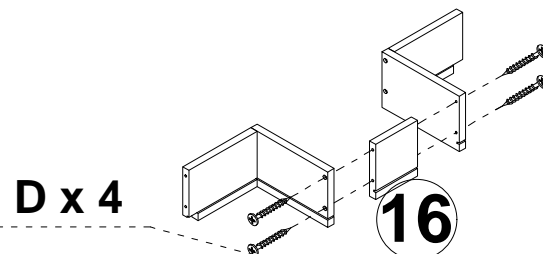
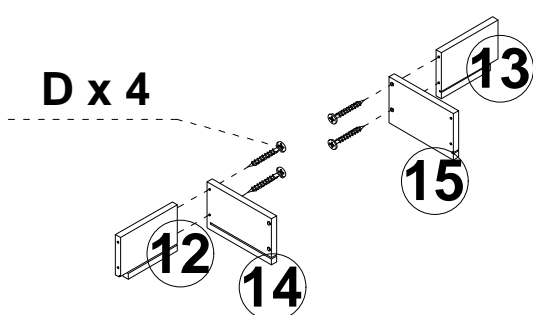
Step 7



x2



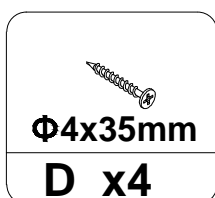
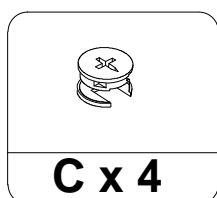
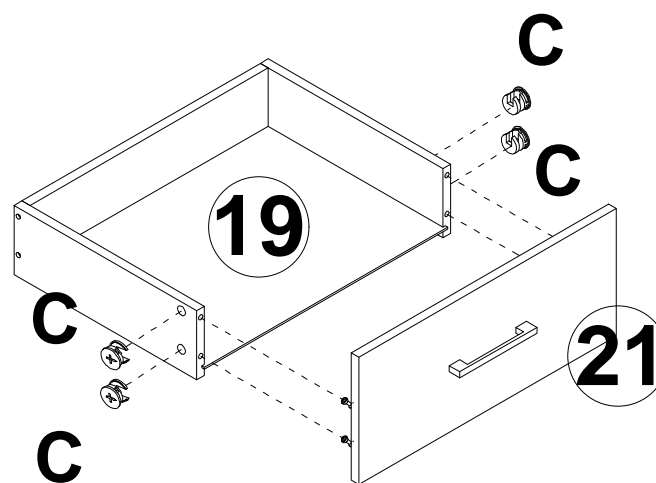
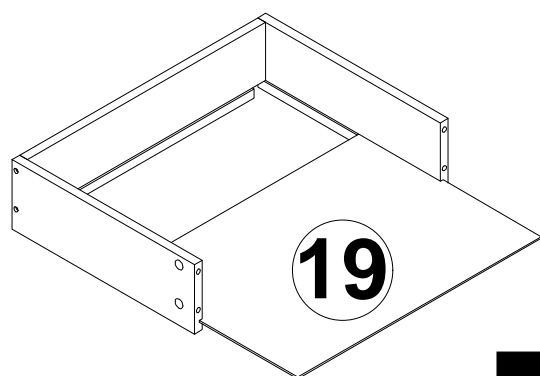
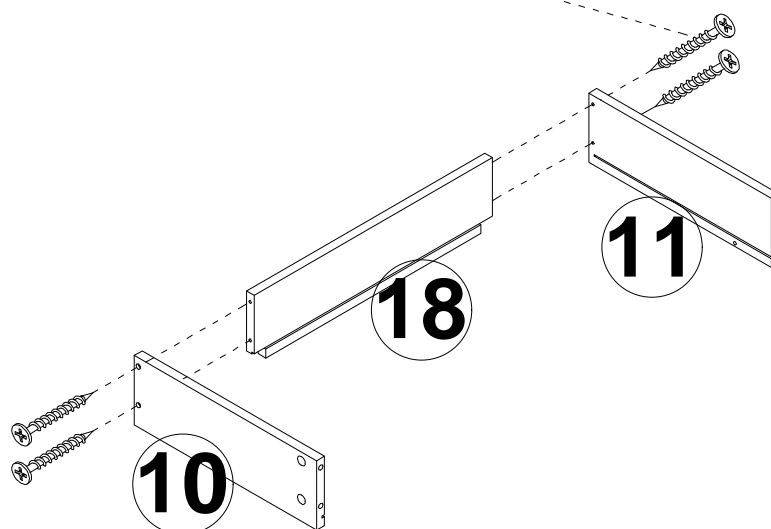
Step 8



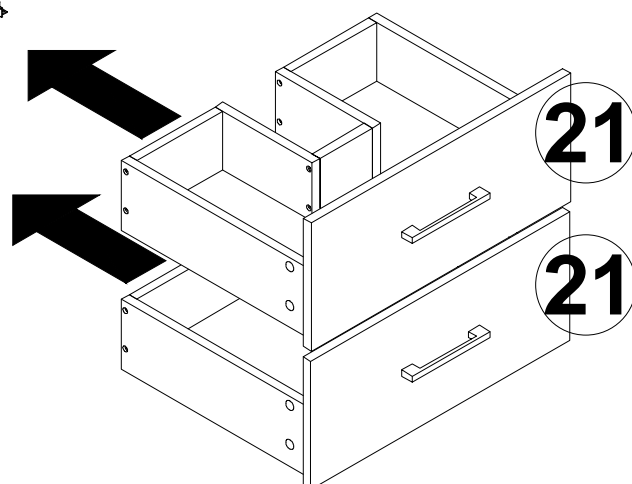
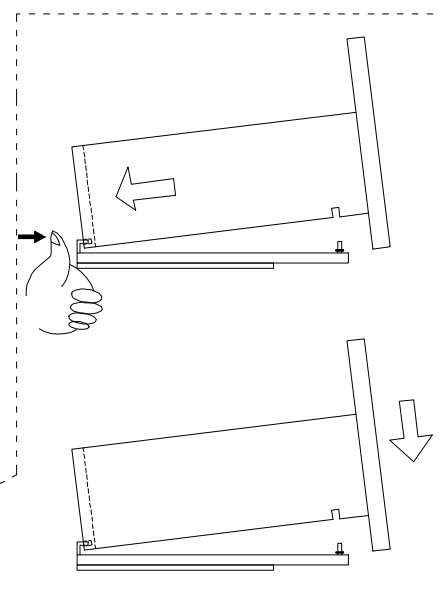
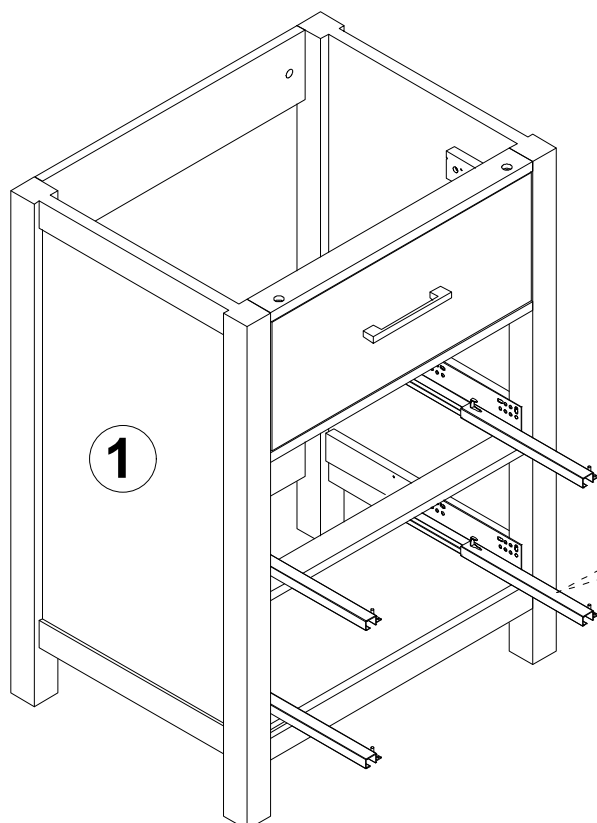


Step 9

D x 4

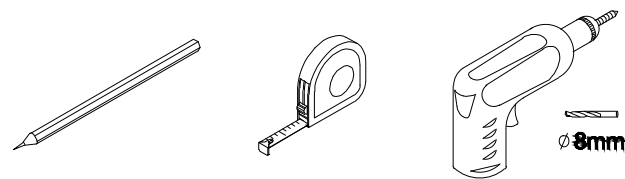


Step 10

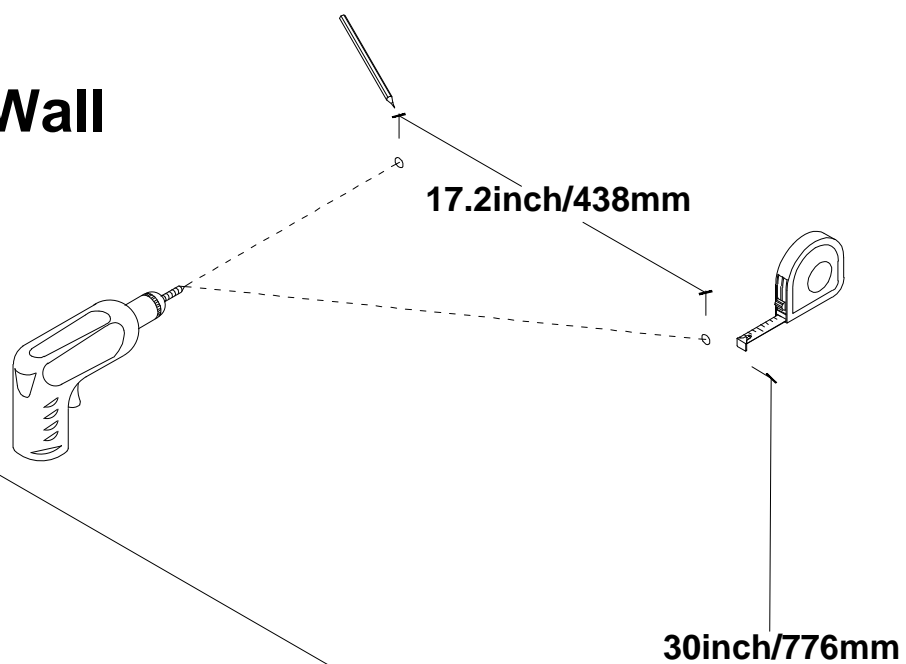




Step 11



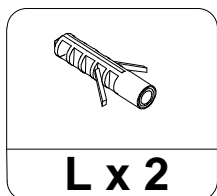
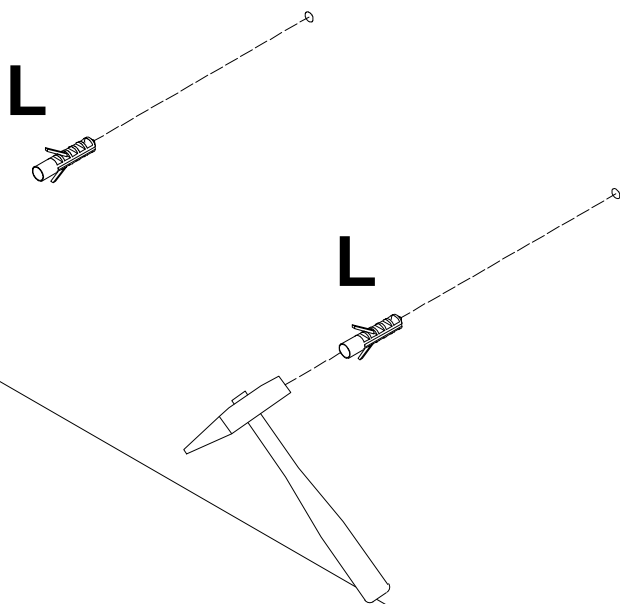
Wall



Use a pencil to mark drill points as instructed.
It's important to use a level to ensure you get an
even horizontal line between left and right points.

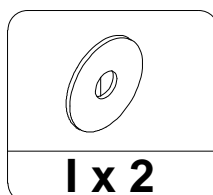
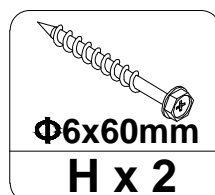
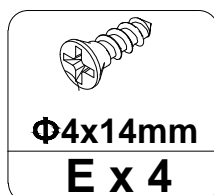
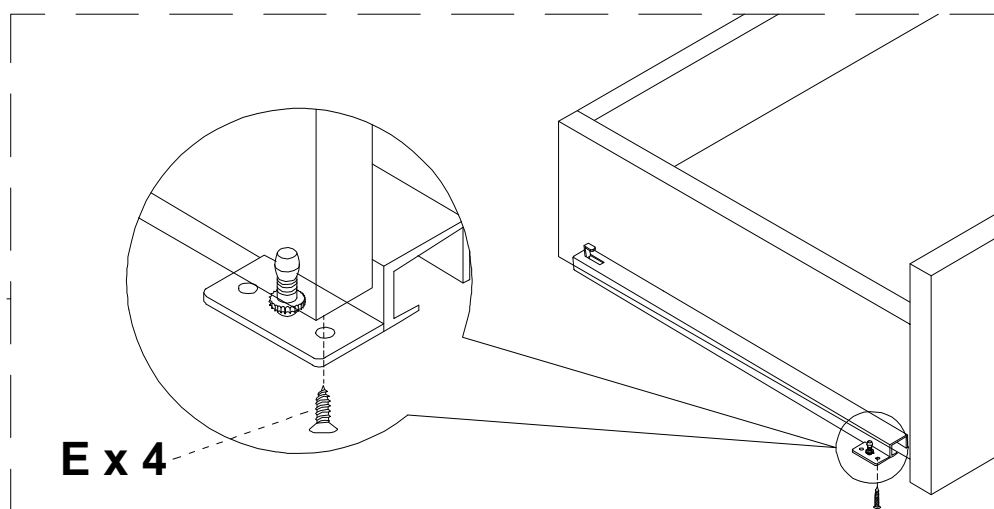
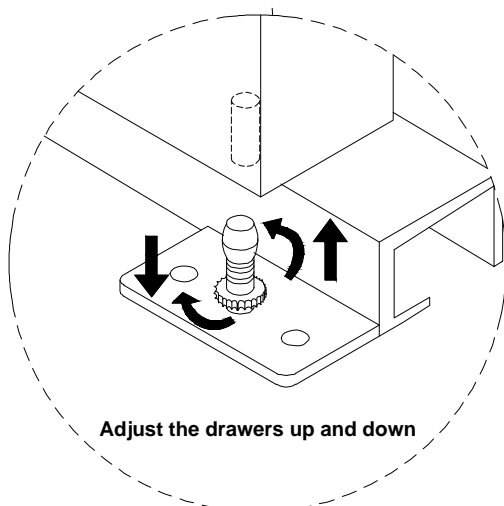
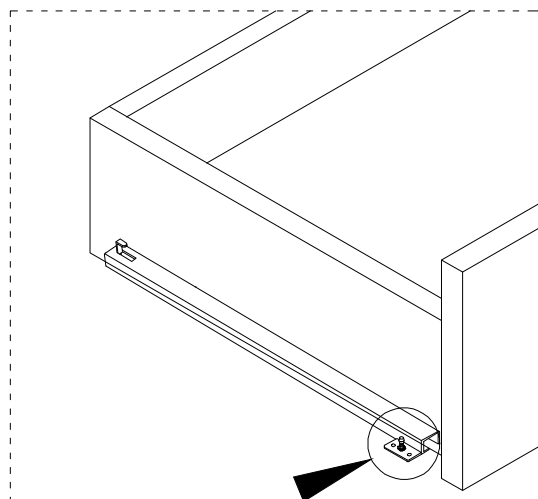
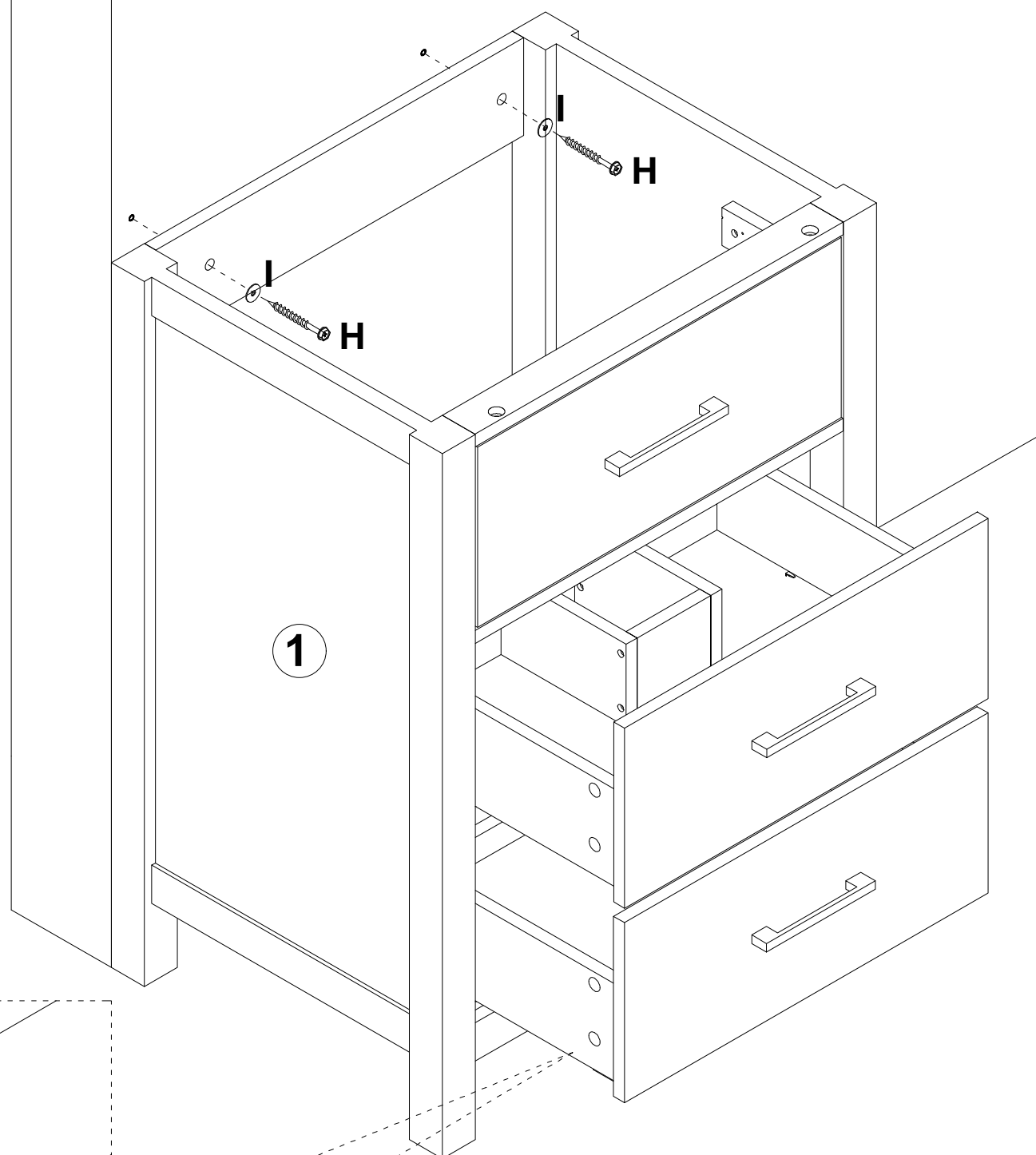
Step 12

Wall



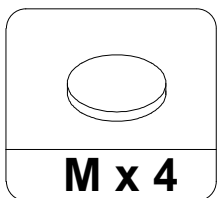
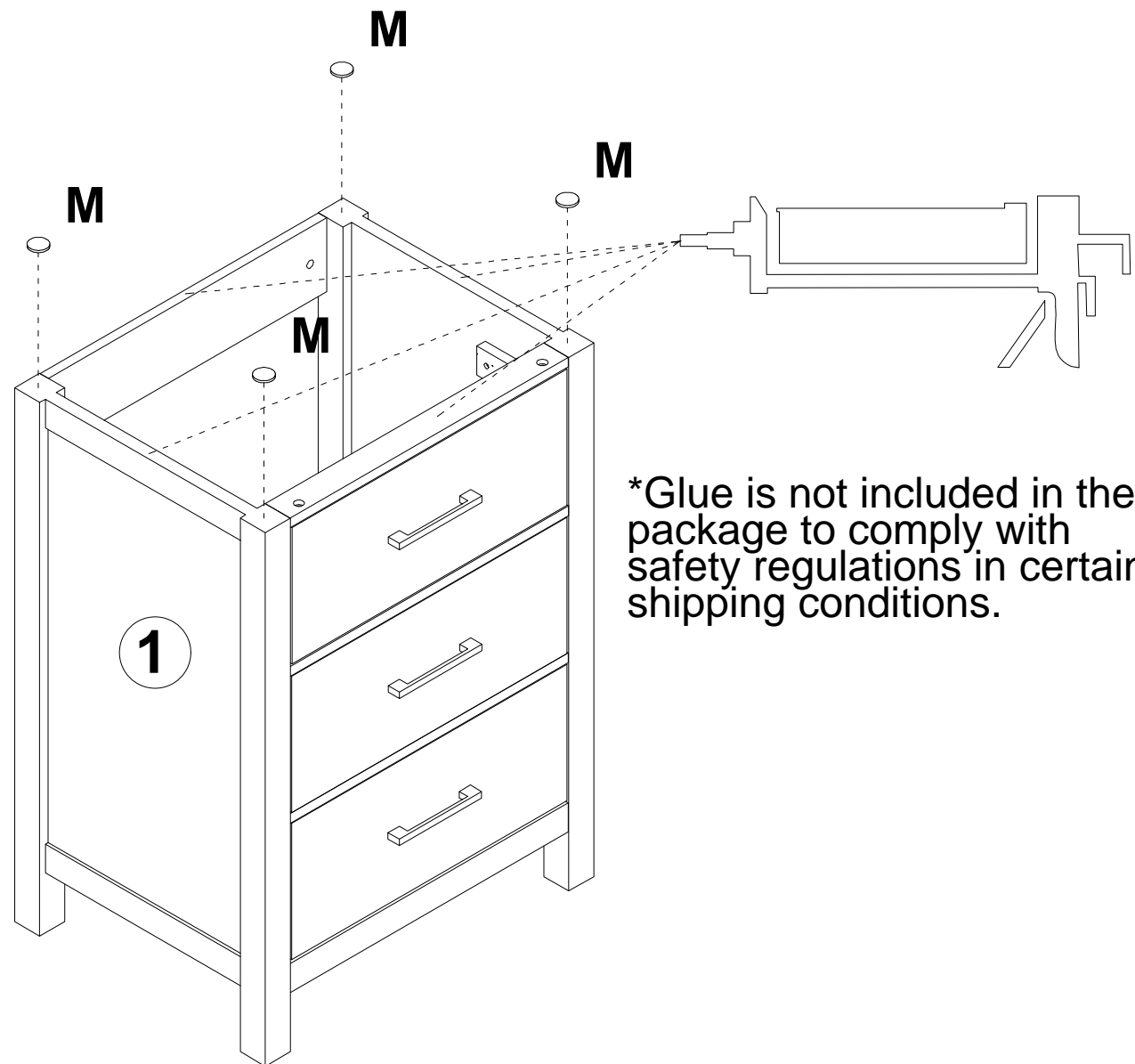


Step 13

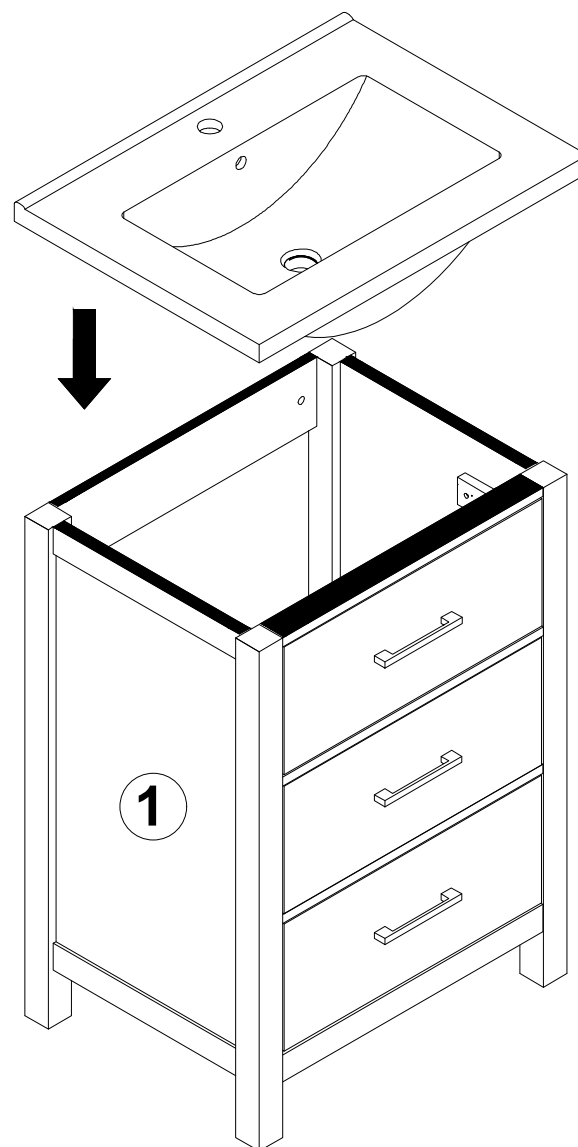




Step 14



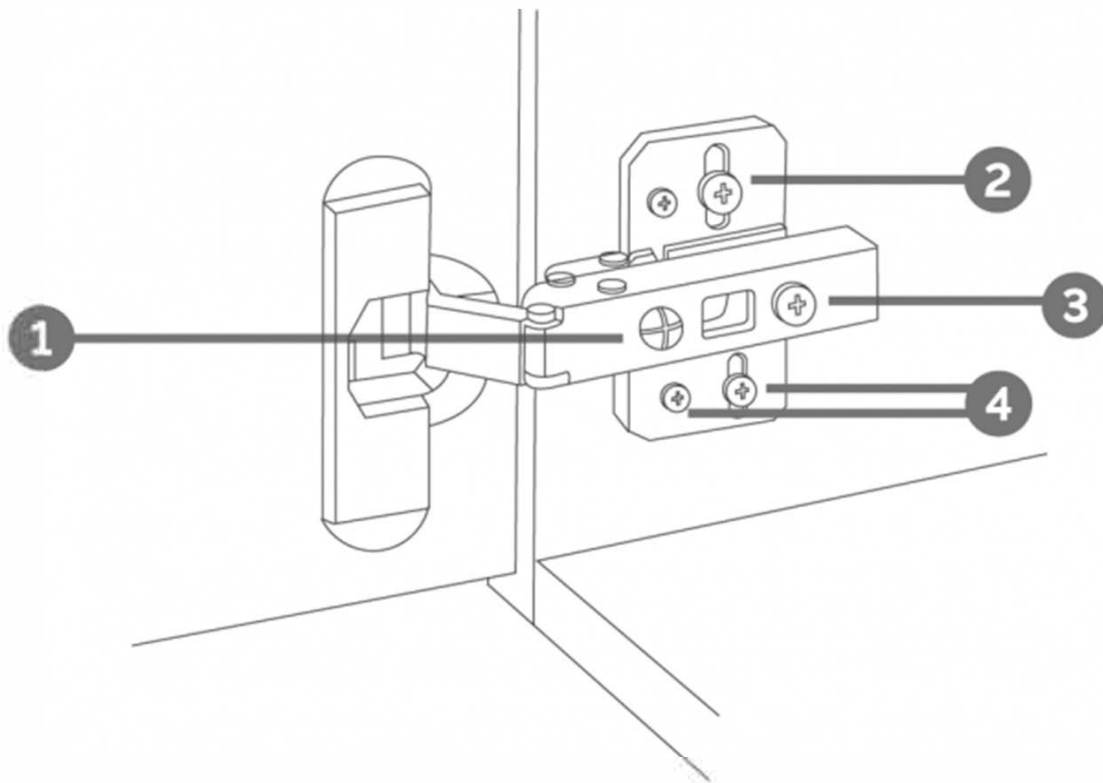
Step 15



Position the vanity top onto the cabinet and press firmly into place. Wipe away any excess sealant with a damp cloth. Let it stand for 24 hours.

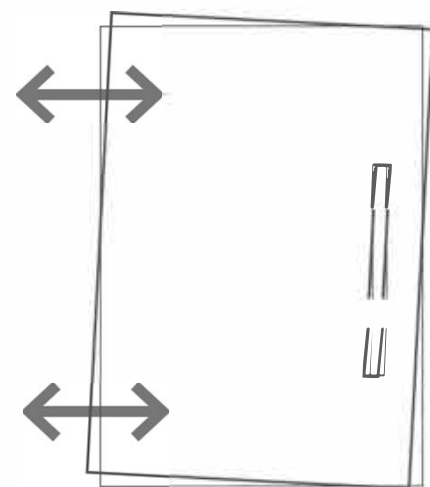


HINGE ADJUSTMENTS



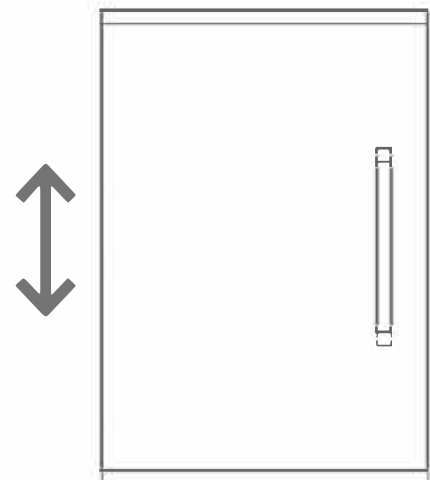
1 Sideways / Tilt adjustment

Turn the screw
clockwise to move the door further away from
the side of the cabinet
anticlockwise to move the door closer to the
side of the cabinet



2 4 Height adjustment

While supporting the weight of the door, turn the
screws
clockwise to move the door up
anticlockwise to move the door down



3 Forward and back adjustment

If the gap between the back of the door and the
cabinet is too small, and the door may not close
fully. Turn the screw
clockwise to decrease the gap between the
door and the cabinet
anticlockwise to increase the gap between the
door and the cabinet

