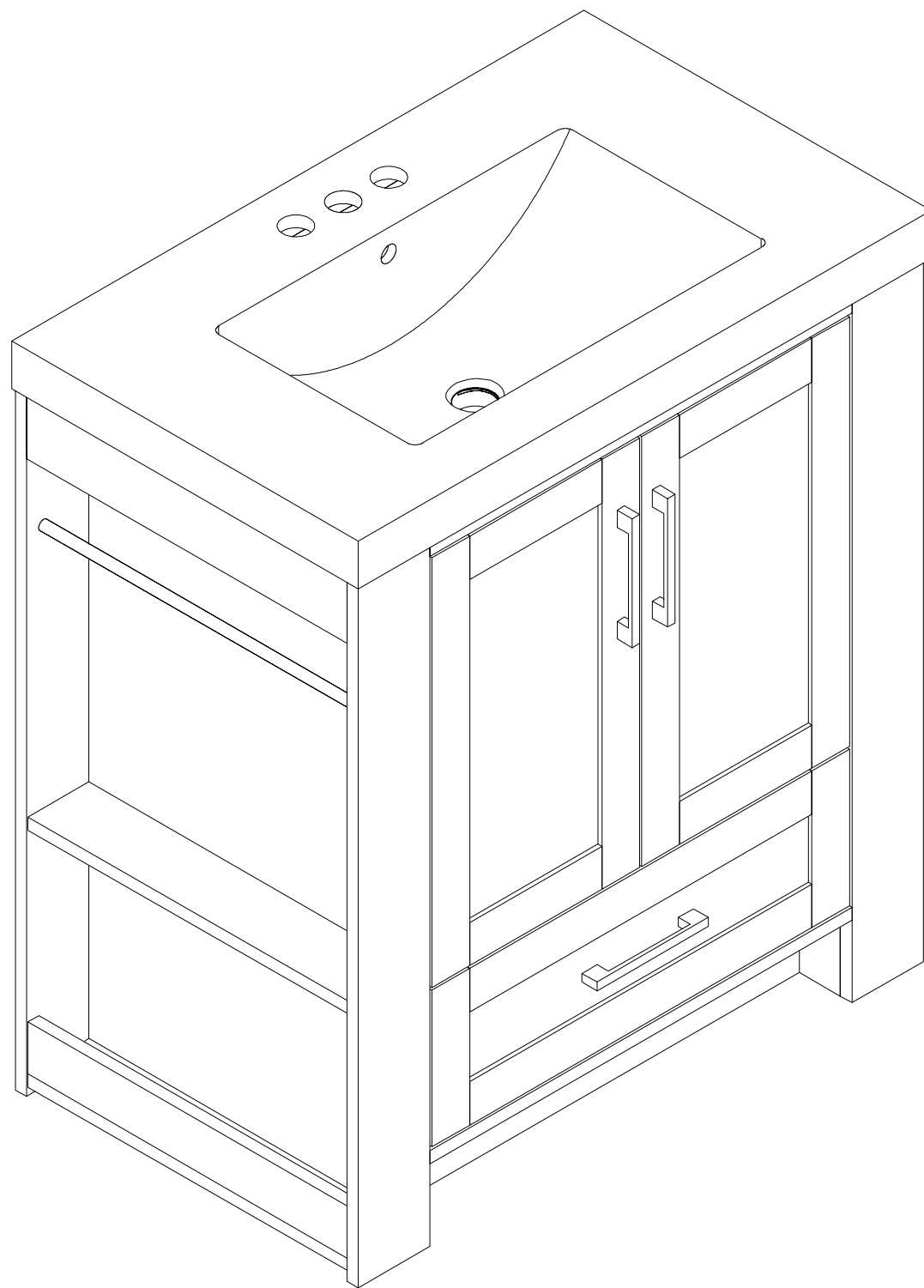




# ASSEMBLY INSRTRUCTIONS

## 30" Bathroom Vanity



**PLEASE DO NOT RETURN TO STORE**



**Please do not return this product to the retailer!!  
We are able to assist you in ANY way**

If you find that you have any trouble with assembly or missing or damaged parts please contact the seller.

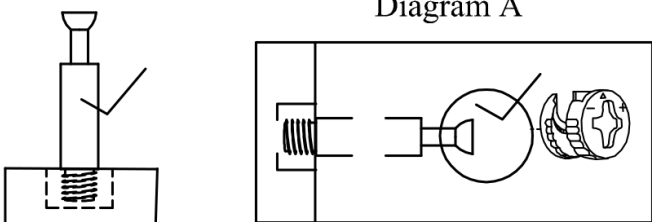
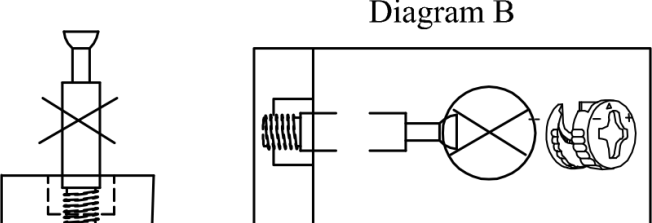
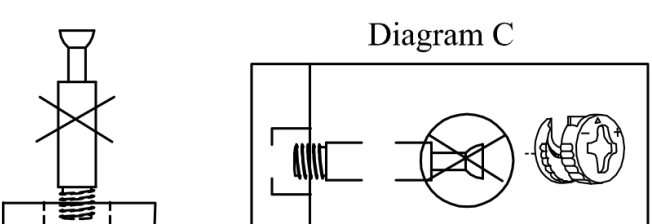
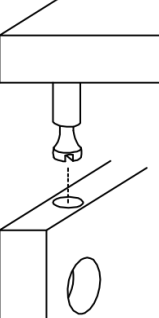
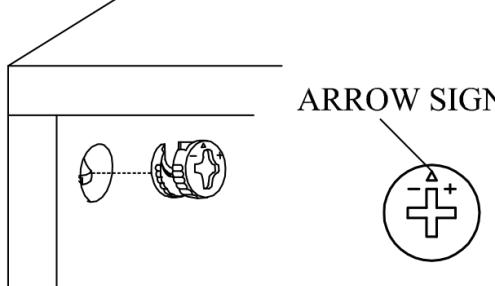
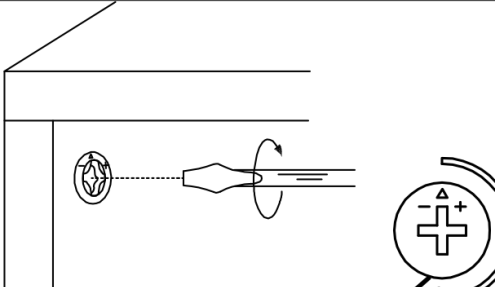
# Before Installation

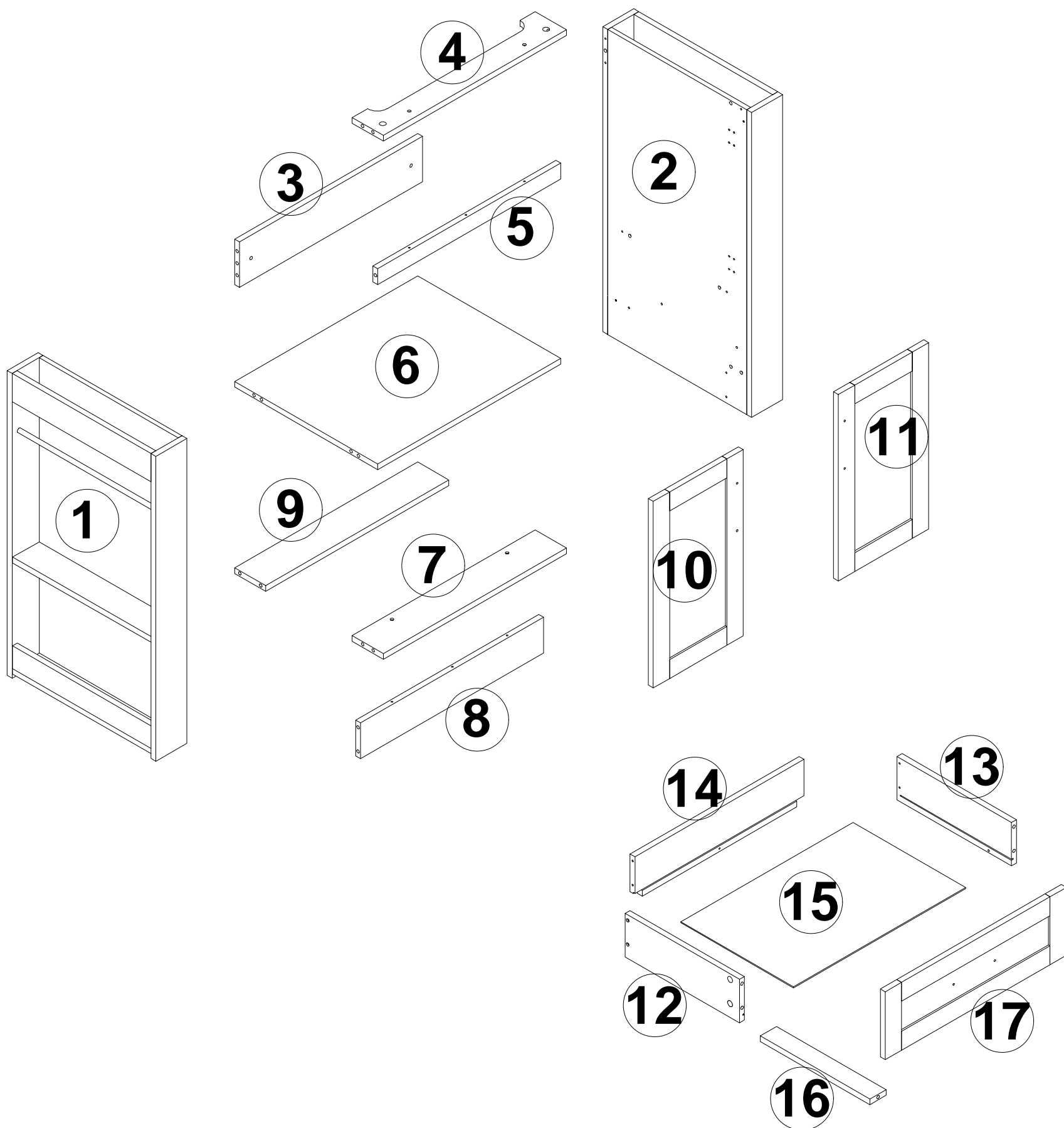
Important – Please read these instructions fully before starting assembly

Thank you for purchasing this quality product. Be sure to check all packing materials carefully for small parts, which may have come loose inside the carton during shipment. Identify and count all items according to the PARTS LIST and/or HARDWARE LIST shown below. Check you have all the components and tools listed on the following pages.

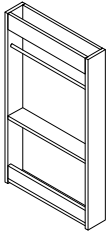
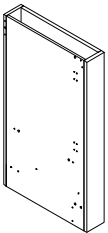
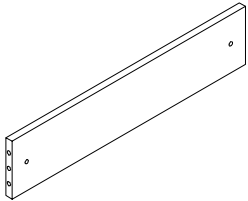
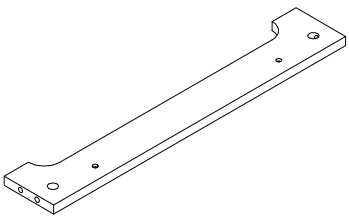
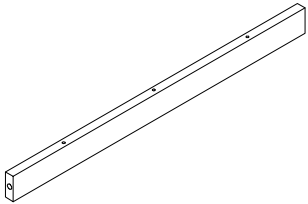
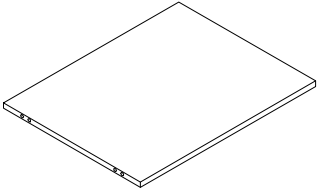
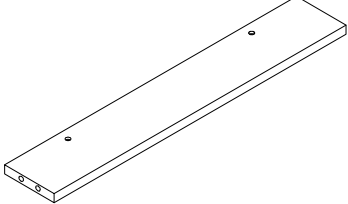
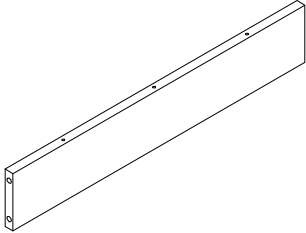
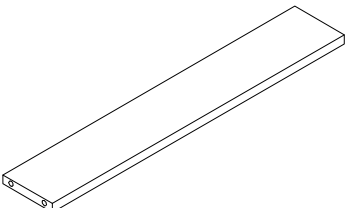
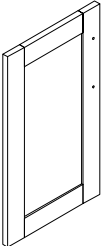

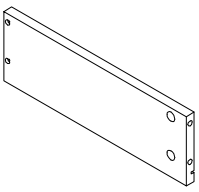
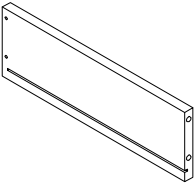
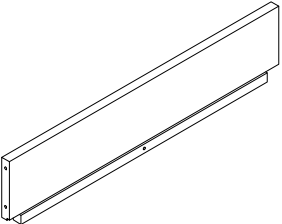
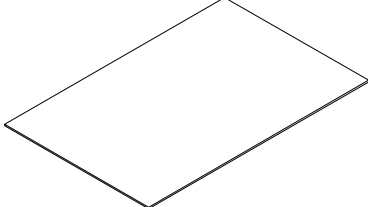
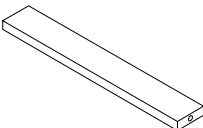
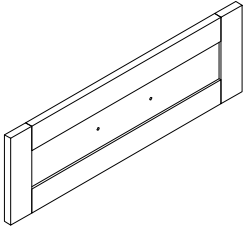
- We recommend that you assemble this product with the assistance of another person; this will make the assembly easier, and will help eliminate damage to the product or injury to persons during assembly.
- Please do not over tighten screws or bolts until the assembly is completed.
- Keep children and animal away from the work area, small parts could choke if swallowed.
- Please put all parts on a non-abrasive floor before assembly, and follow the assembly steps to assemble your newly purchased product correctly and efficiently.

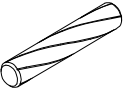
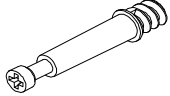

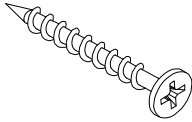
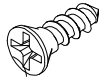

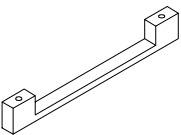
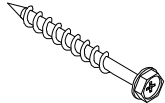

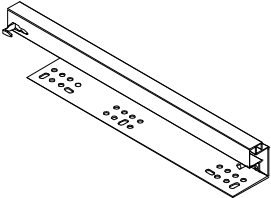
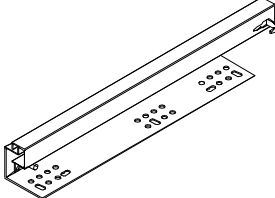
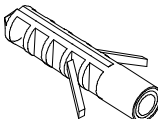

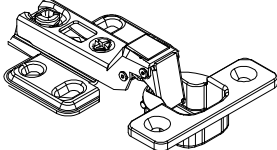
## Cam Lock Assembly Instructions

	<p>Diagram A</p> <p>Insert Cam Bolt into hole as shown in diagram A.</p>
	<p>Diagram B</p> <p>Make sure not to insert the Cam Bolt: Too deep as shown in figure B as this will cause the Cam Lock to be misaligned and unable to interlock properly.</p>
	<p>Diagram C</p> <p>Also avoid inserting the Cam Bolt too close to the surface of the hole as shown in figure C, as this will cause the Cam Lock to be too loose, and not interlock properly.</p>
	<p>Connect the panels together.</p>
	<p>ARROW SIGN</p> <p>Insert the Cam Lock so the side opening fits over the head of the Cam Bolt.</p>
	<p>To tighten the Cam Lock, turn it clockwise on half a turn with a flat screwdriver. <i>*Do not use an automatic screwdriver as it may bend or break if too much power is imposed.</i></p>

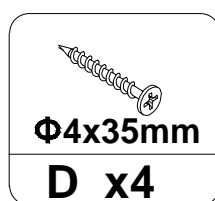
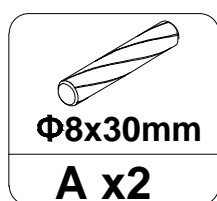
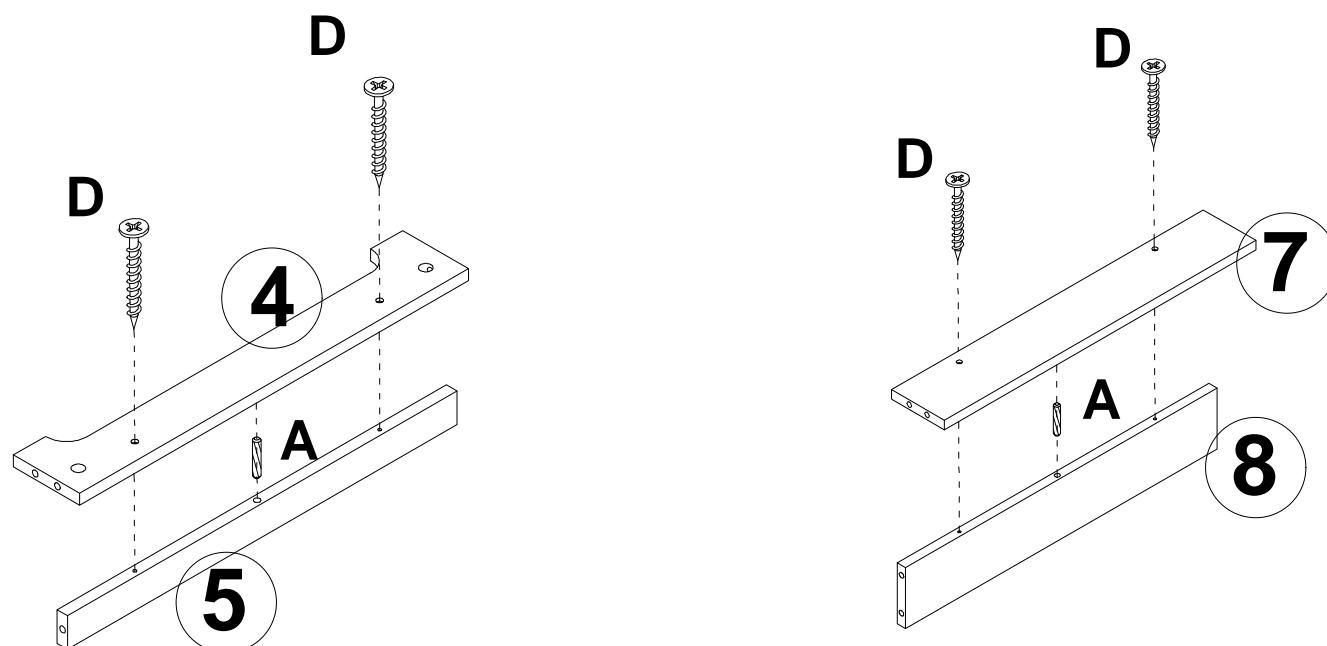




			
<b>① x 1</b>	<b>② x 1</b>	<b>③ x 1</b>	<b>④ x 1</b>
			
<b>⑤ x 1</b>	<b>⑥ x 1</b>	<b>⑦ x 1</b>	<b>⑧ x 2</b>
			
<b>⑨ x 1</b>	<b>⑩ x 2</b>	<b>⑪ x 2</b>	<b>⑫ x 1</b>
			
<b>⑬ x 1</b>	<b>⑭ x 1</b>	<b>⑮ x 1</b>	<b>⑯ x 1</b>
			
<b>⑰ x 1</b>			

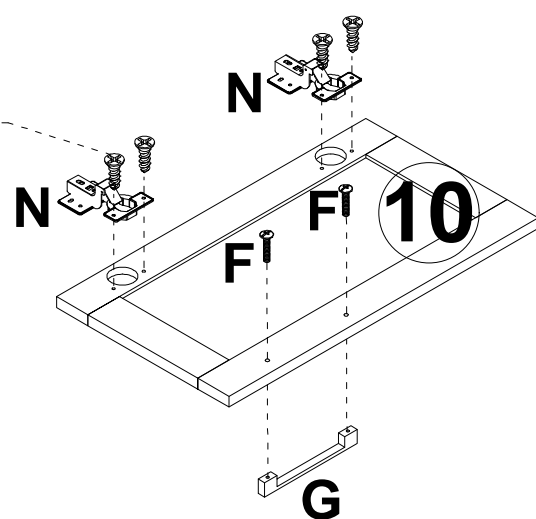
					
<b>Φ8x30mm</b> <b>A x 12+2</b>	<b>B x 27+2</b>	<b>C x 27+2</b>	<b>Φ4x35mm</b> <b>D x 9+1</b>	<b>Φ4x14mm</b> <b>E x 30+3</b>	<b>Φ4x10mm</b> <b>F x 6</b>
					
<b>G x 3</b>	<b>Φ6x60mm</b> <b>H x 2</b>	<b>I x 2</b>	<b>J x 1</b>	<b>K x 1</b>	<b>L x 2</b>
					
<b>M x 4</b>	<b>N x 4</b>				

## Step 1

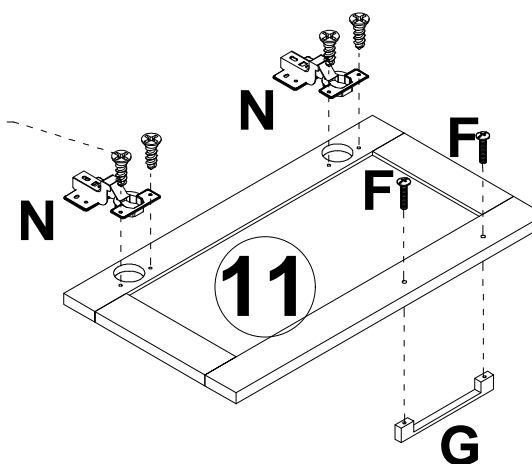


## Step 2

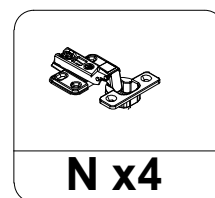
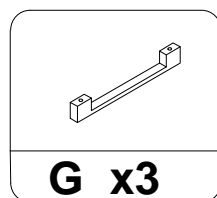
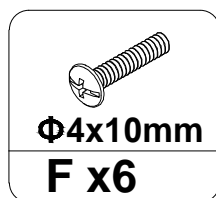
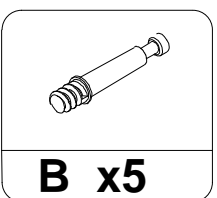
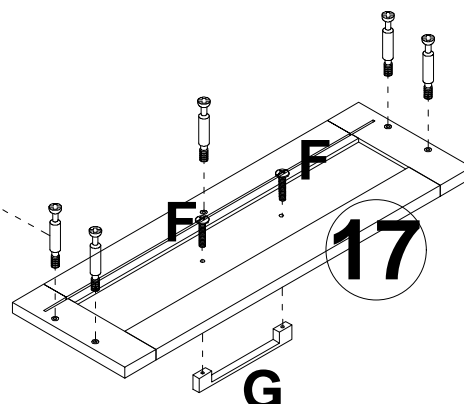
E x 4



E x 4

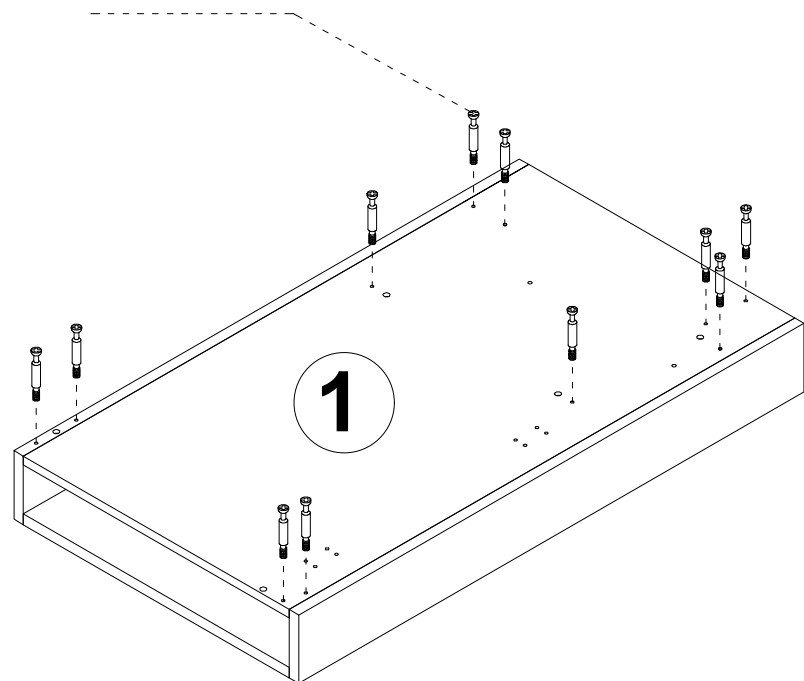


B x 5

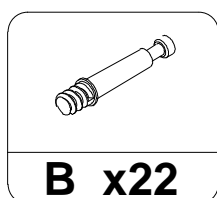
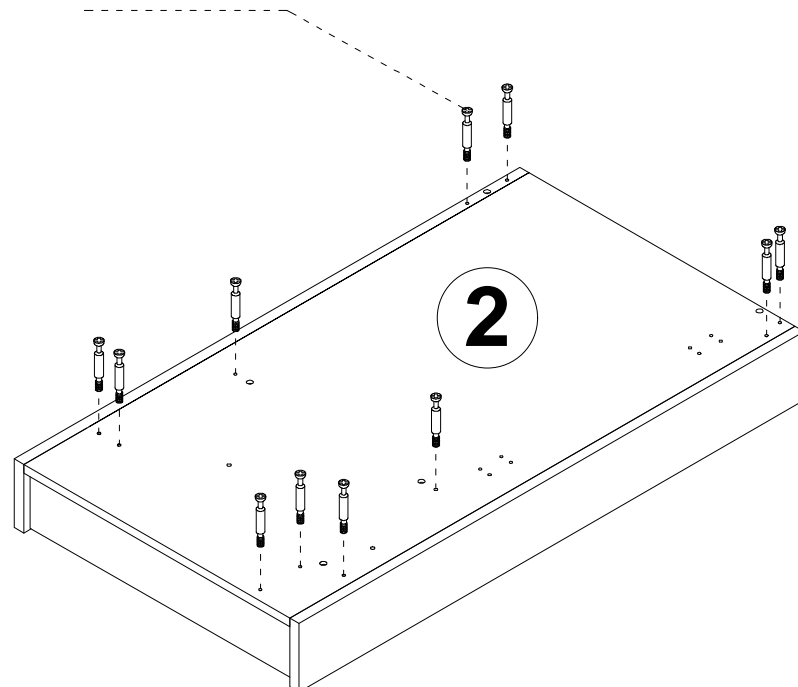


### Step 3

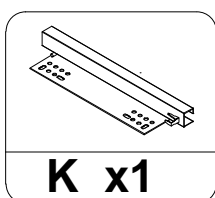
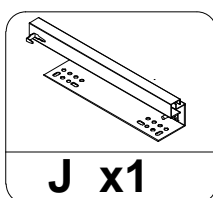
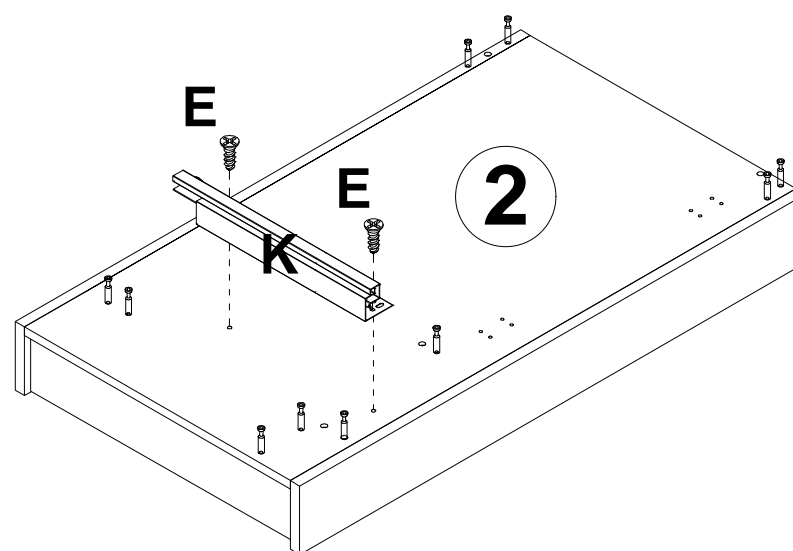
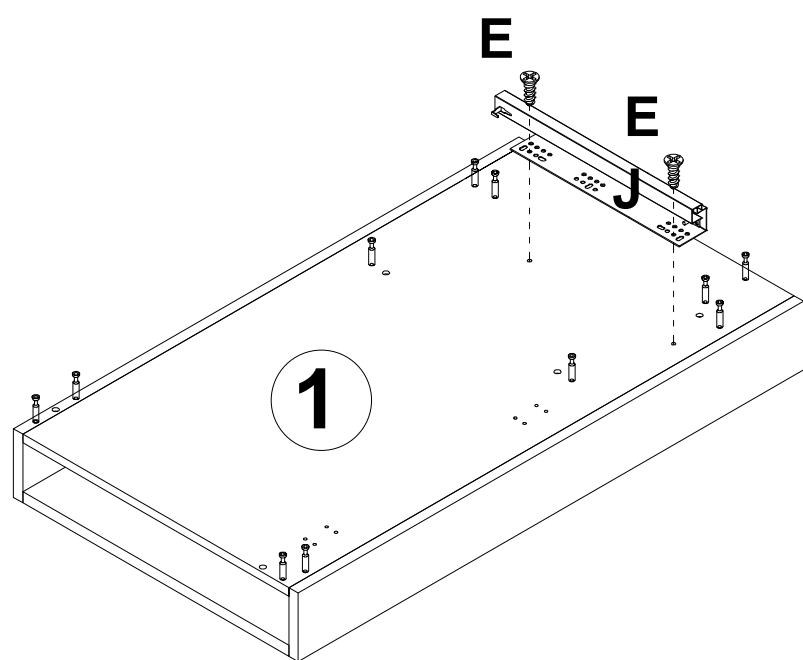
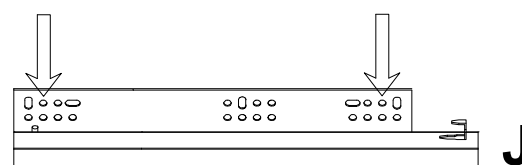
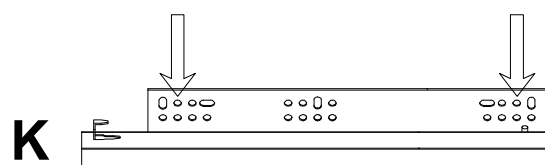
B x 11



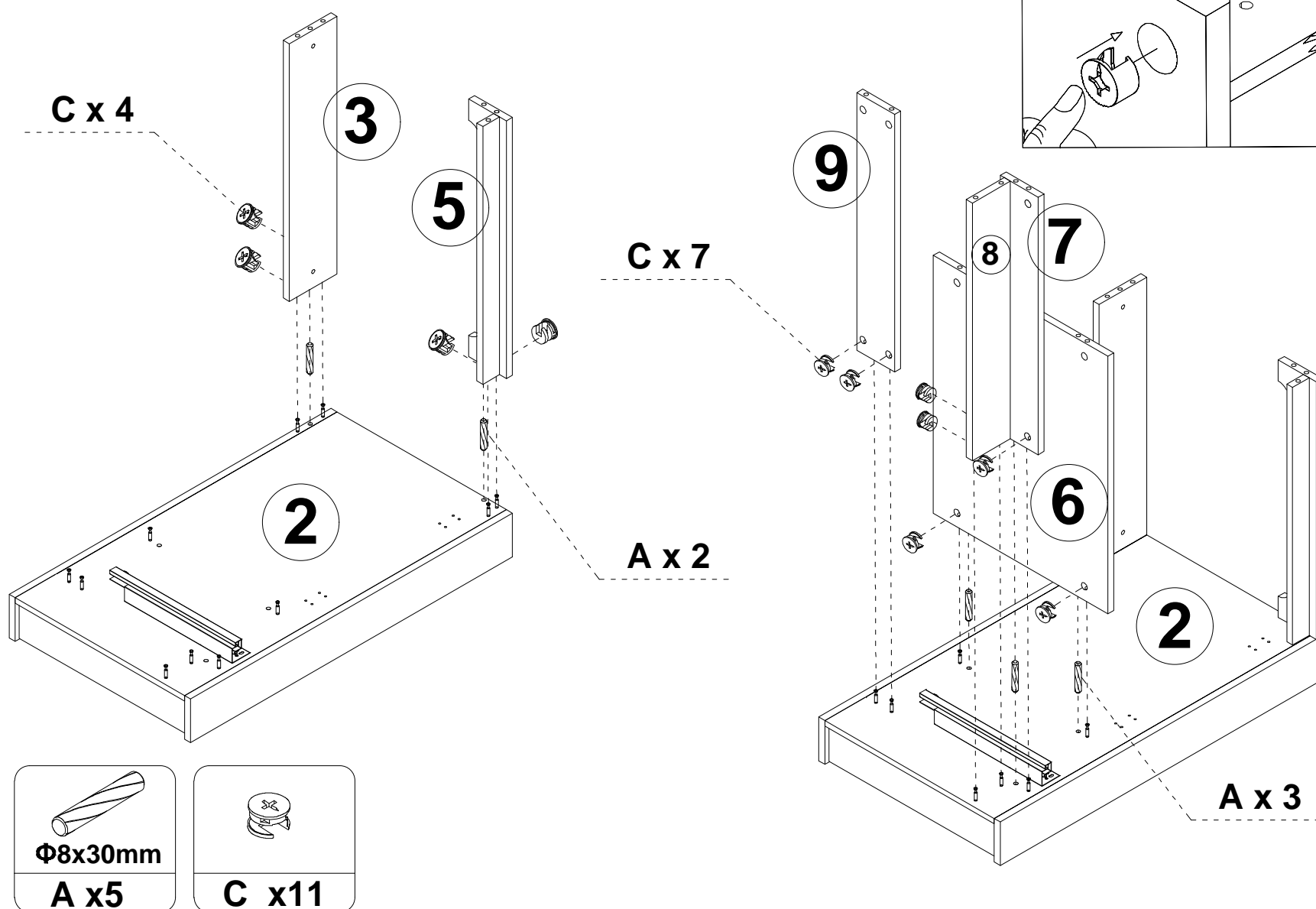
B x 11



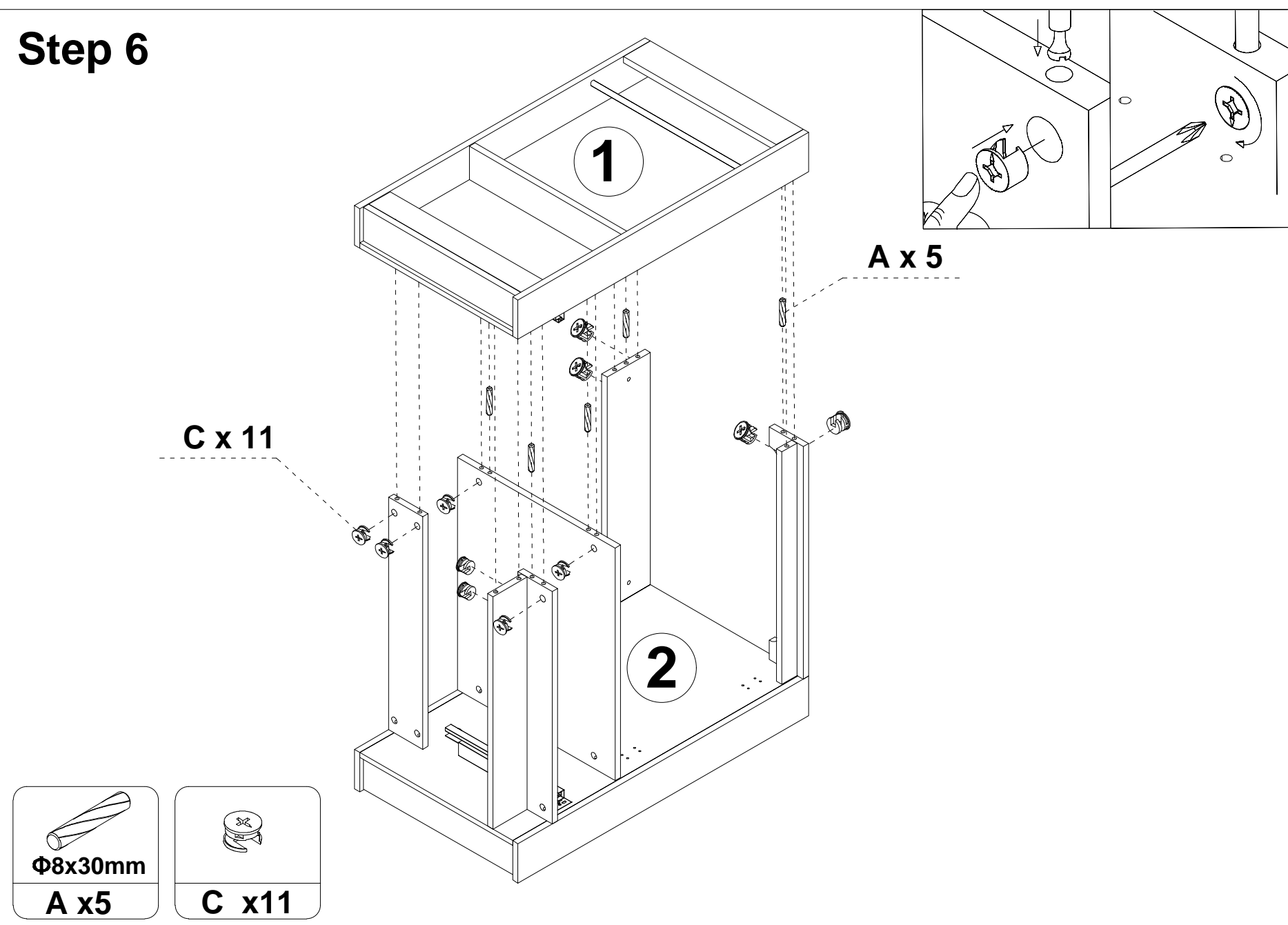
### Step 4



## Step 5

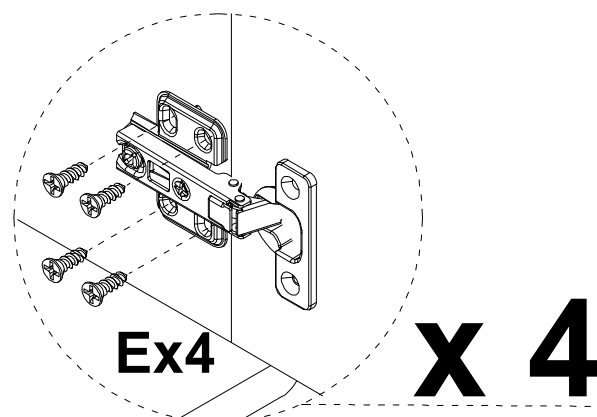
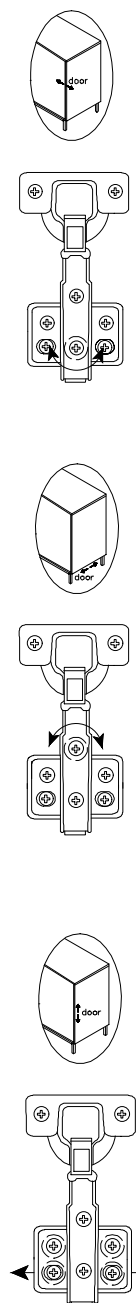
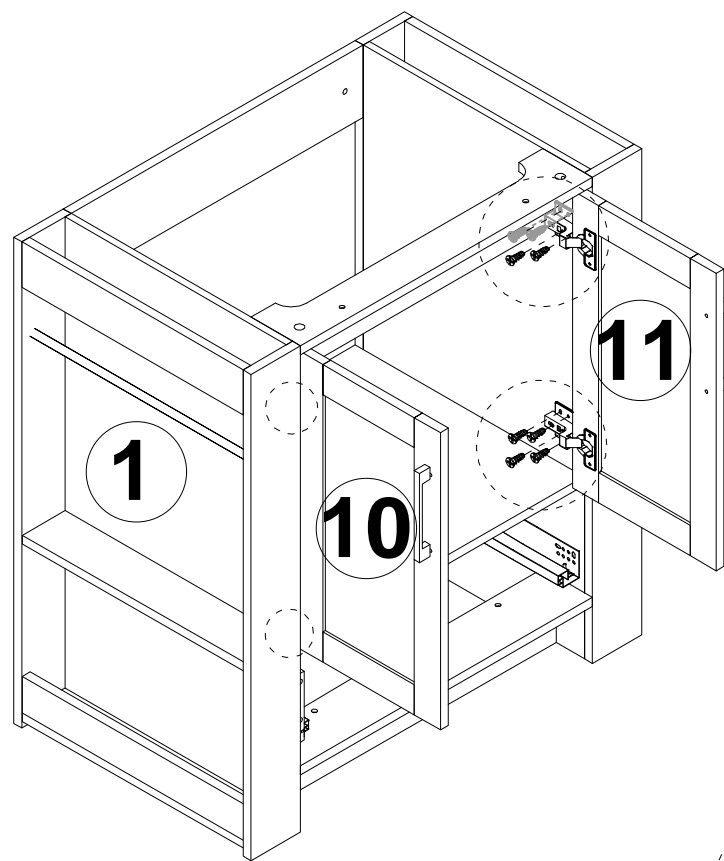


## Step 6

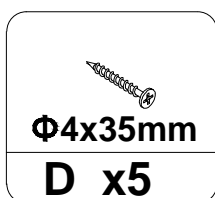
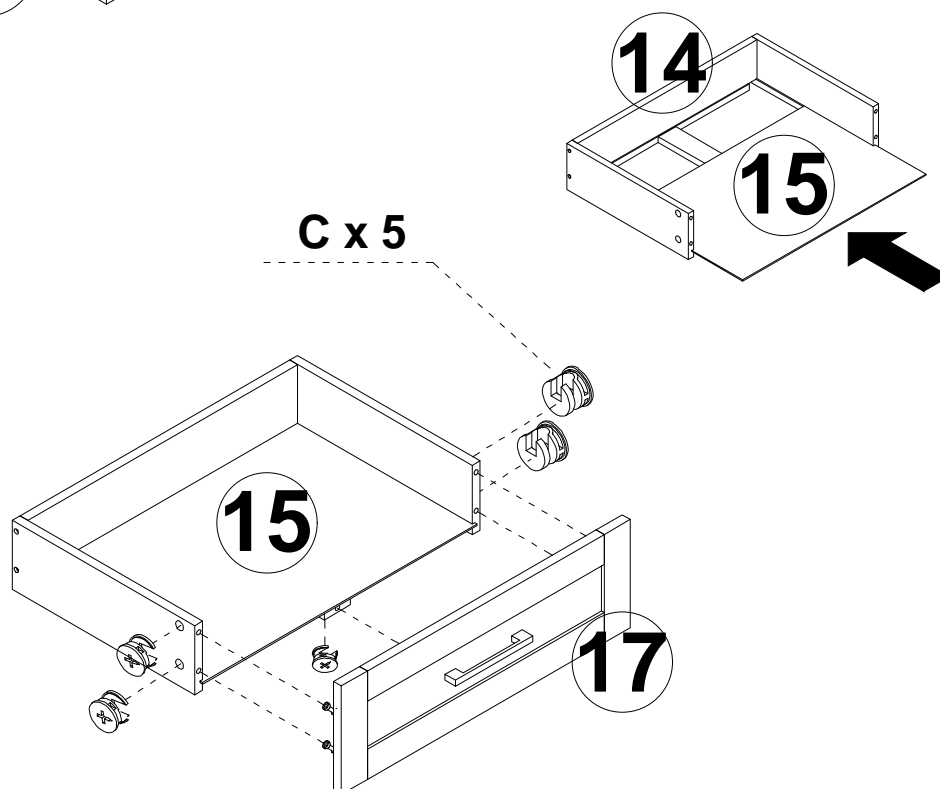
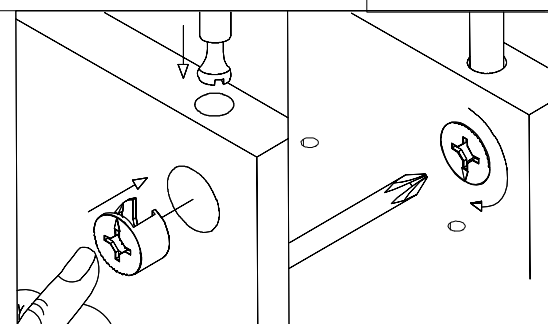
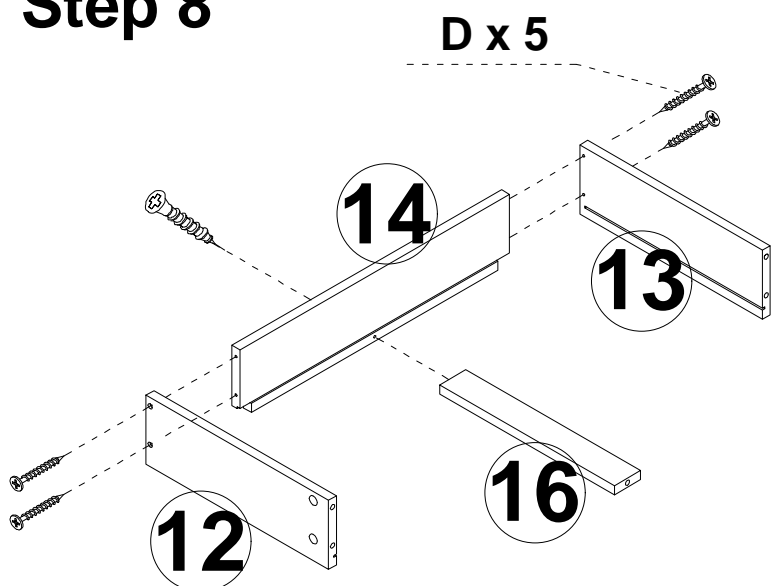




## Step 7

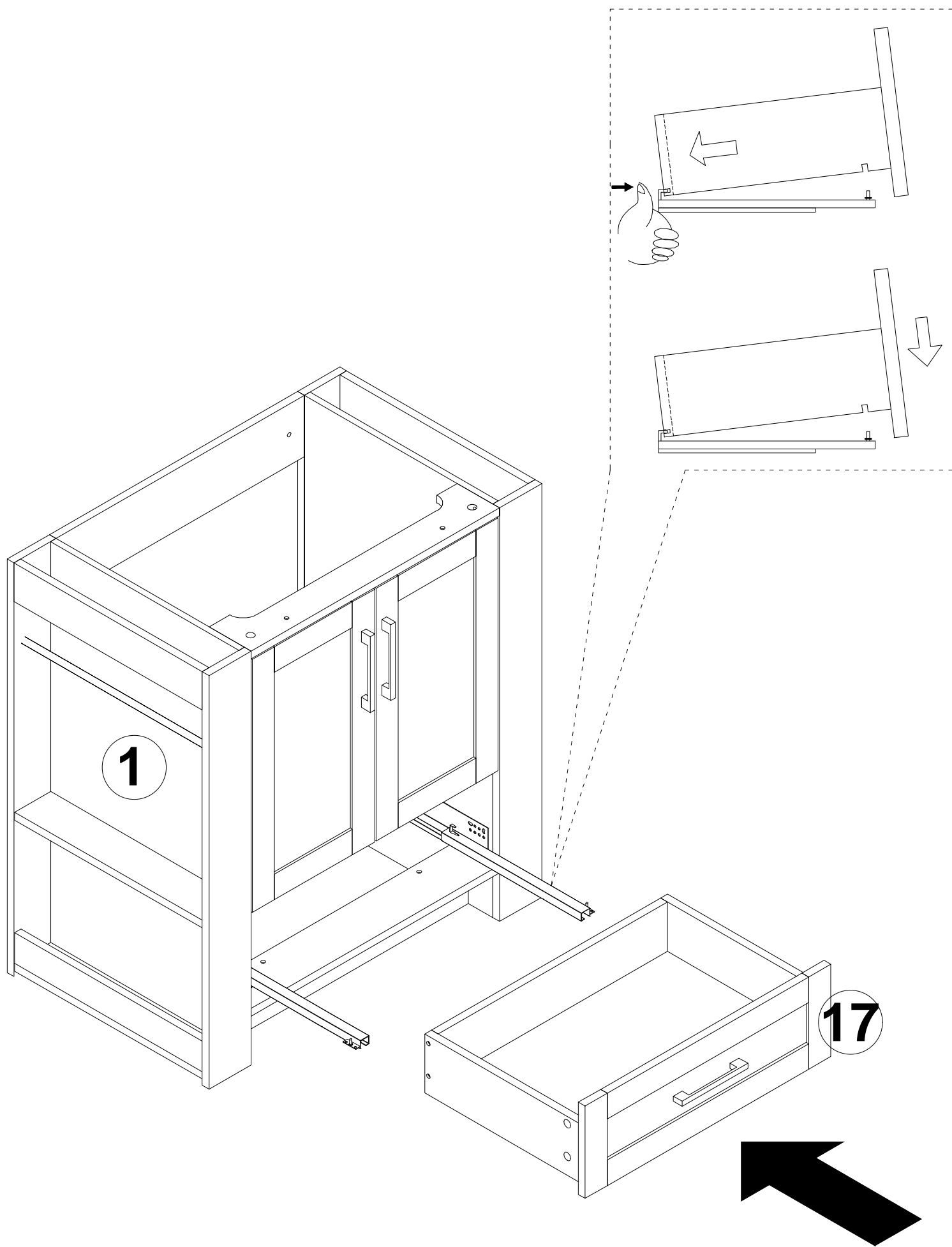


## Step 8



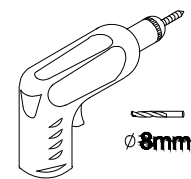
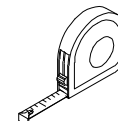
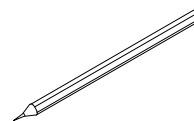


# Step 9

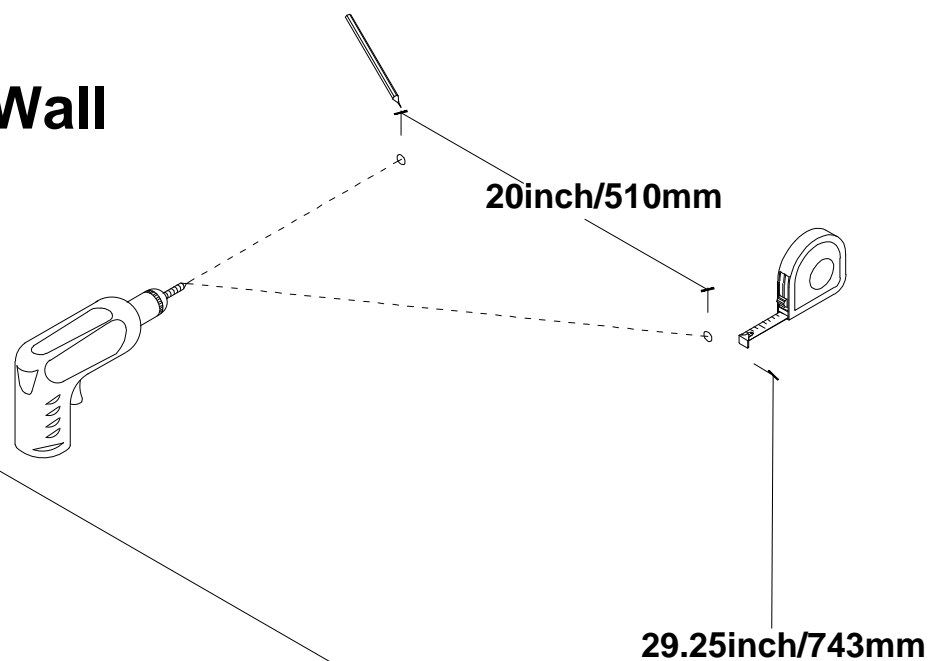




## Step 10



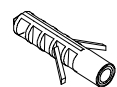
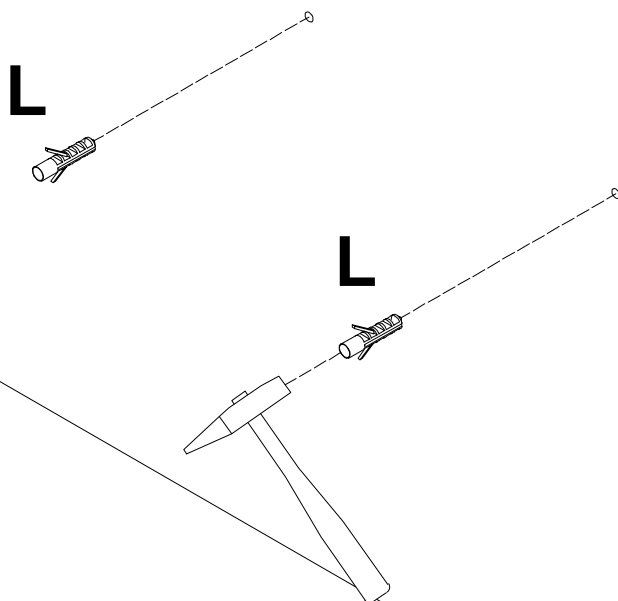
Wall



Use a pencil to mark drill points as instructed.  
It's important to use a level to ensure you get an  
even horizontal line between left and right points.

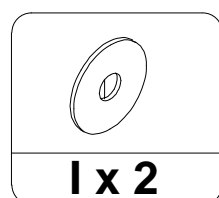
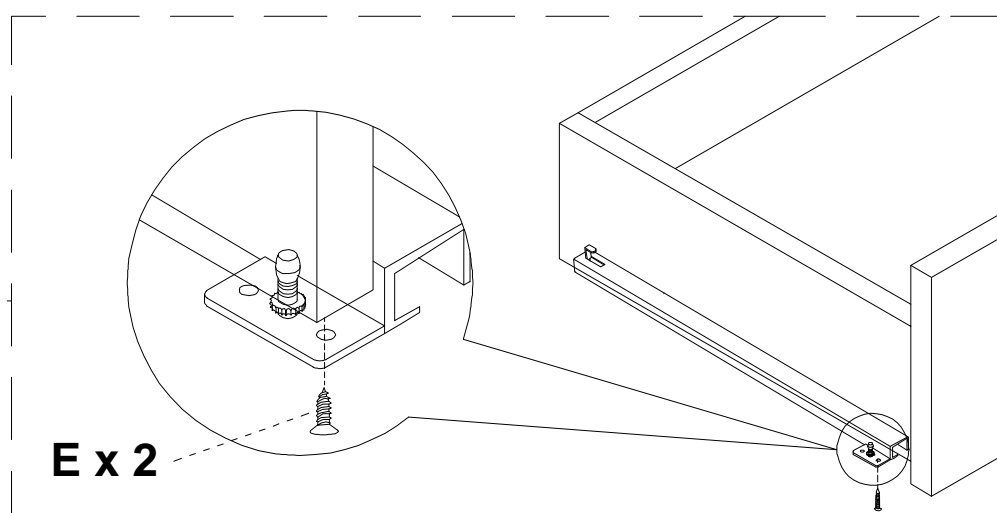
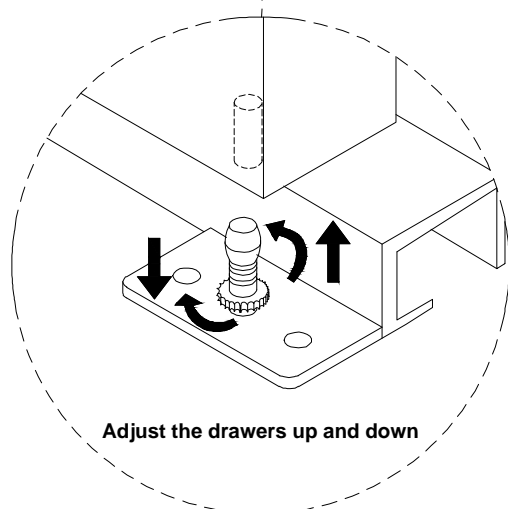
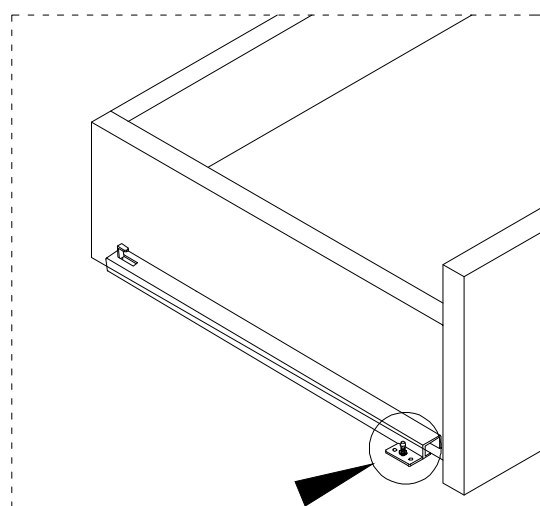
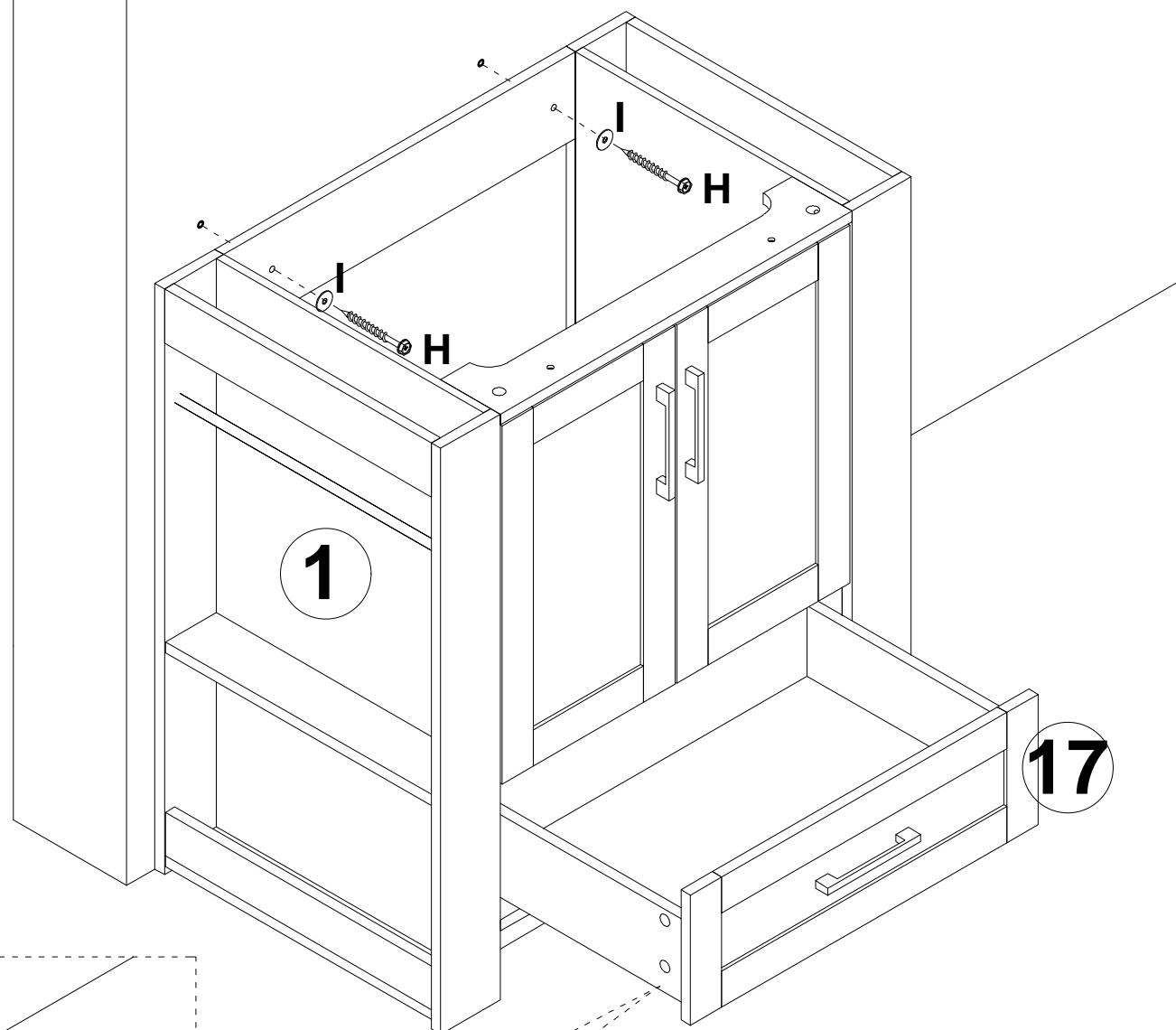
## Step 11

Wall



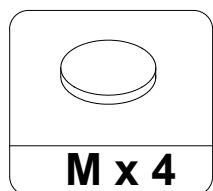
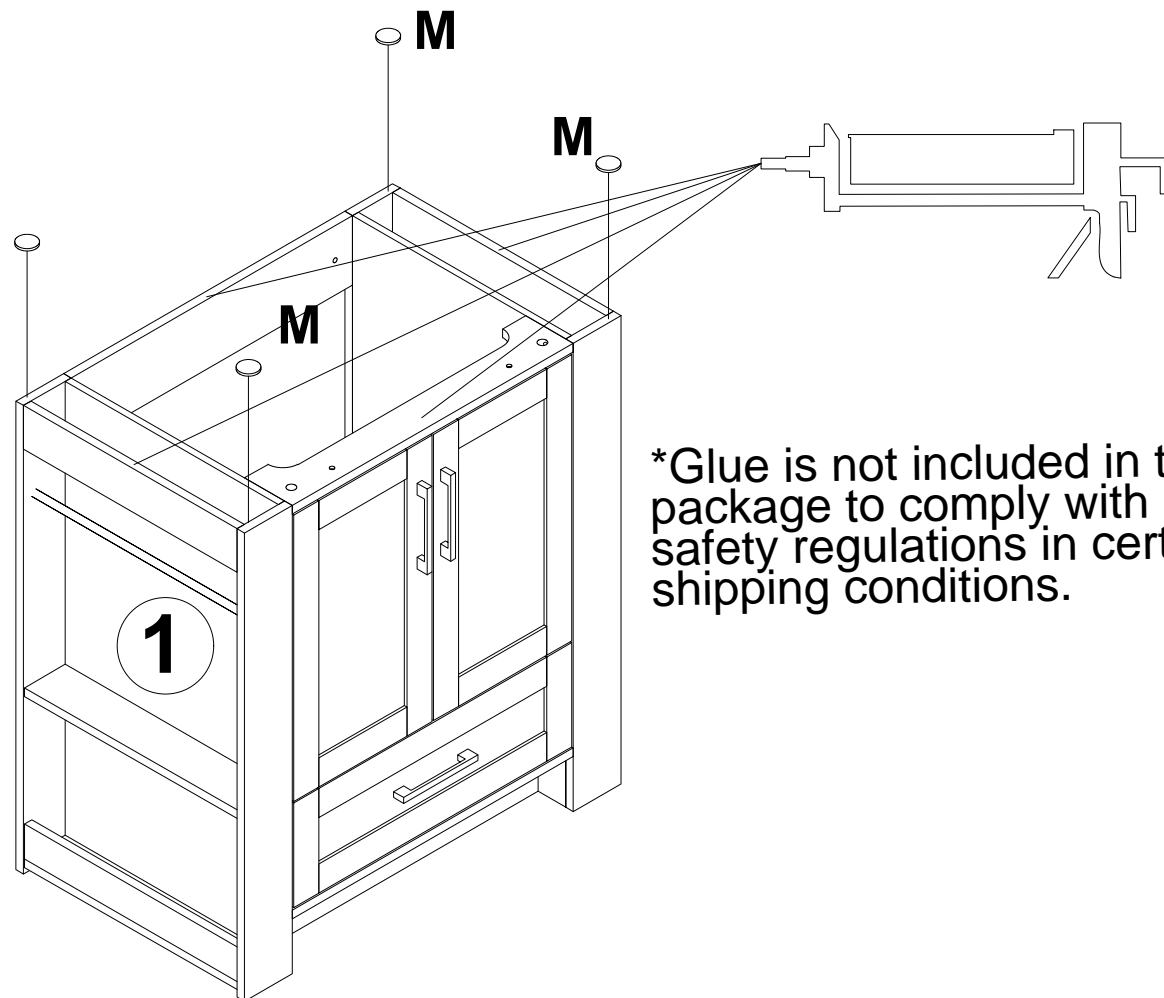
L x 2

# Step 12

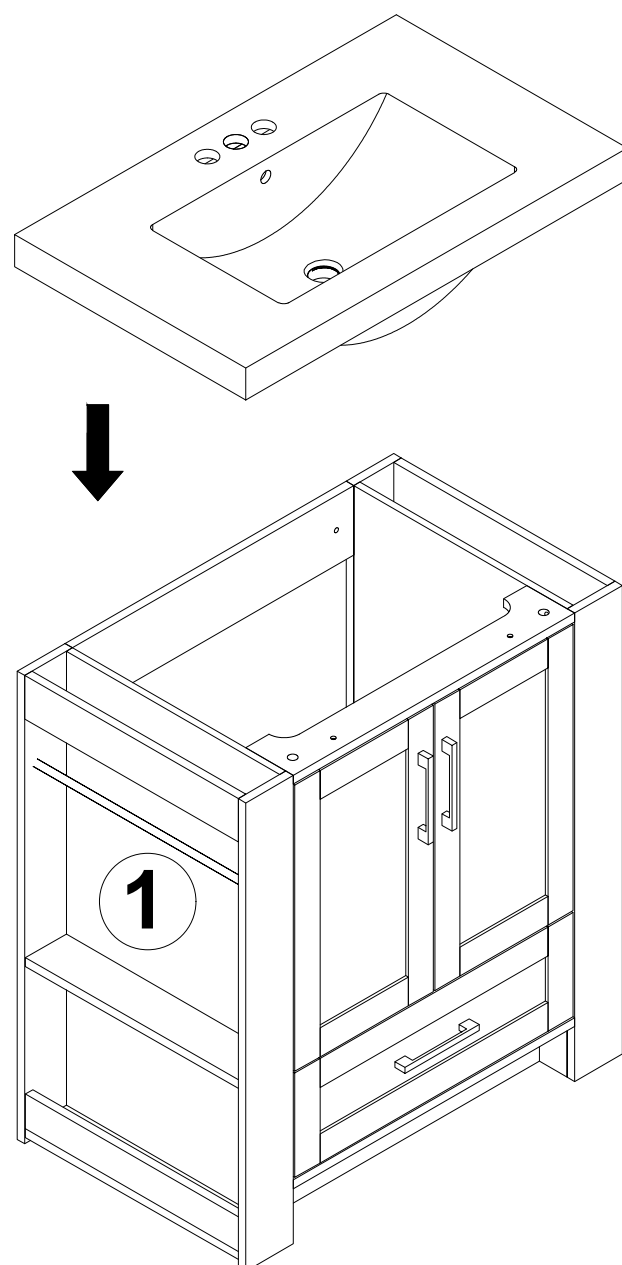




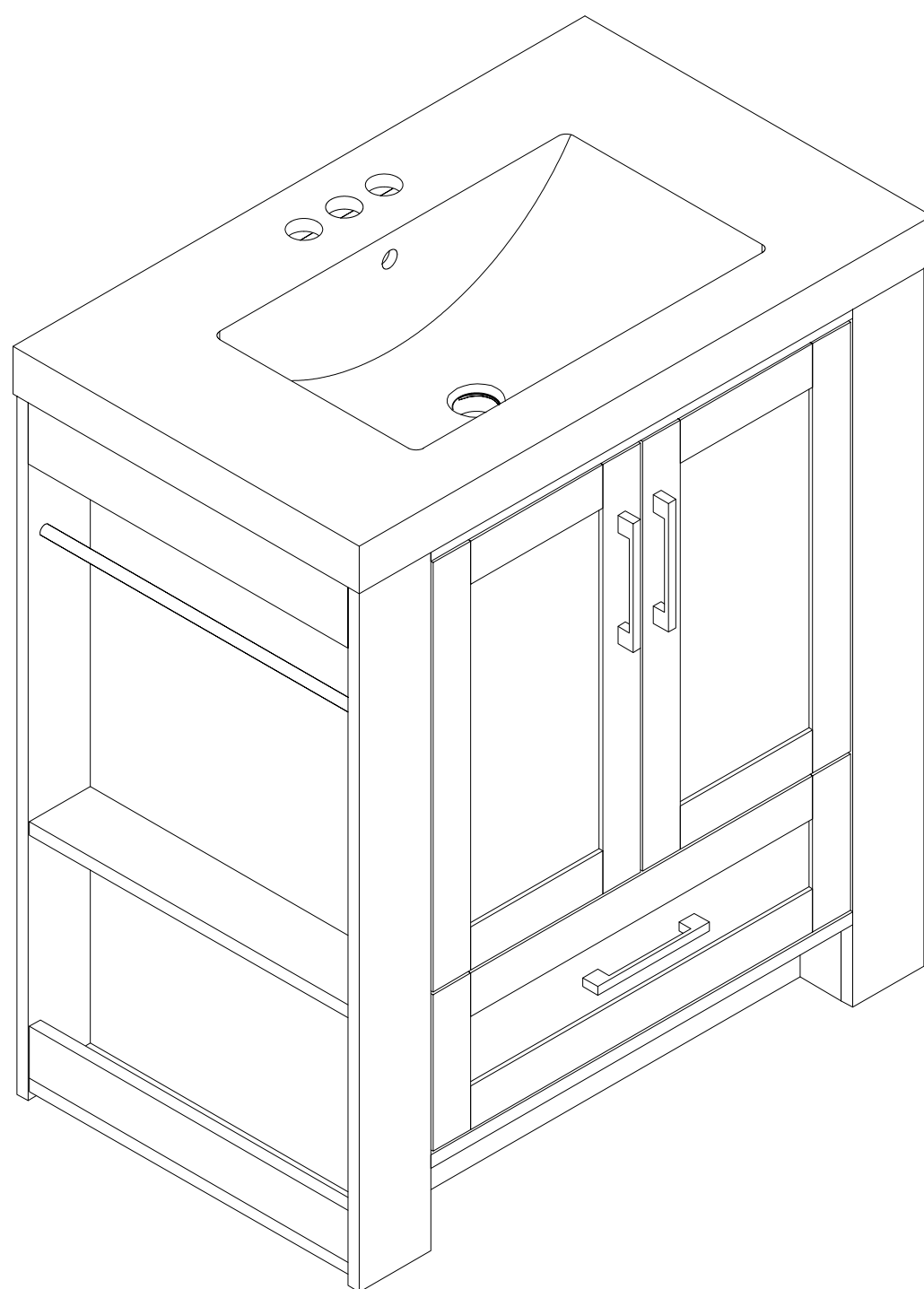
## Step 13



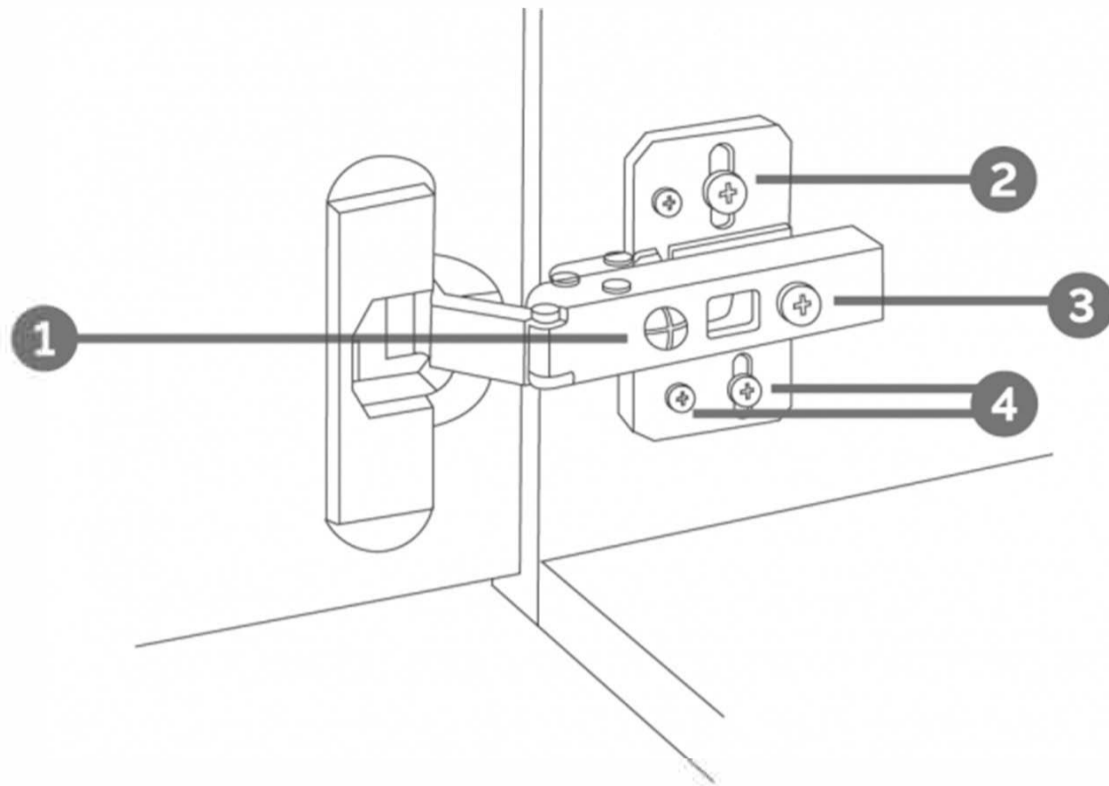
## Step 14



Position the vanity top onto the cabinet and press firmly into place. Wipe away any excess sealant with a damp cloth. Let it stand for 24 hours.

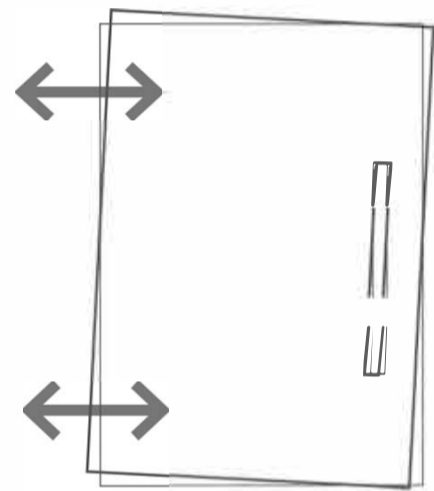


# HINGE ADJUSTMENTS



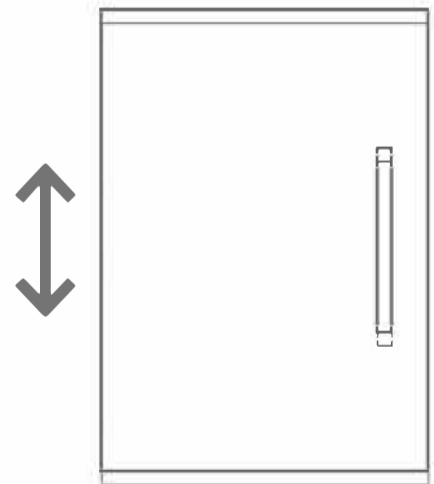
## 1 Sideways / Tilt adjustment

Turn the screw  
**clockwise** to move the door further away from  
the side of the cabinet  
**anticlockwise** to move the door closer to the  
side of the cabinet



## 2 4 Height adjustment

While supporting the weight of the door, turn the  
screws  
**clockwise** to move the door up  
**anticlockwise** to move the door down



## 3 Forward and back adjustment

If the gap between the back of the door and the  
cabinet is too small, and the door may not close  
fully. Turn the screw  
**clockwise** to decrease the gap between the  
door and the cabinet  
**anticlockwise** to increase the gap between the  
door and the cabinet

