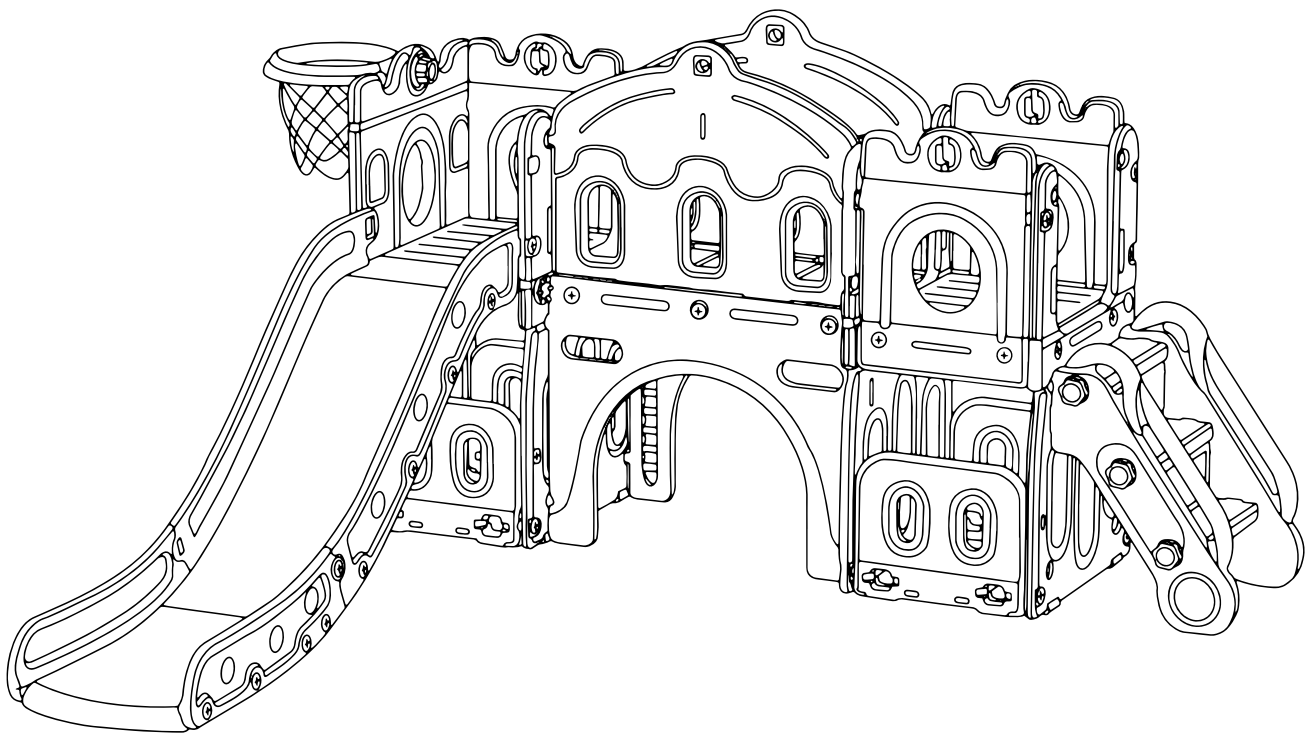


Multiplay Tower & Slide

USER MANUAL



READ AND SAVE THIS INSTRUCTION FOR FUTURE USE

SAFETY & WARNINGS

ADULT ASSEMBLY REQUIRED.

- Keep these instructions for future reference.
- This product is intended for indoor, outdoor, family, domestic use only.
- Place this product on level ground and at least 6.6' away from a fence, building, overhead branches, laundry lines or electrical wires. This product should be placed away from furniture that could cause injury if a fall occurs.
- Ensure the installation area is ventilated.
- Do not use the product if it is damaged or defective. If it is damaged or defective, please contact a qualified technician.
- Check that all parts are assembled well and are stable before use. Defective parts must be changed immediately as they can impair the function and the safety of the product.
- When temperatures fall below freezing, (0°C/32°F), outdoor use of this product is not recommended. In extreme cold, plastic materials lose resilience and may become brittle and crack with impact. Store product in a warmer, protected place.
- Keep away from fire or any source of ignition.
- Packing materials are not toys, keep them away from children.
- Instruct children on proper use of this product: only after properly assembled and installed, and not in a manner other than intended.
- Dress children appropriately: do not allow children to wear loose-fitting clothing including ponchos, scarves and garments with drawstrings. Well-fitting shoes must be worn at all times.
- Avoid placing equipment in direct sunlight as hot surfaces could cause serious burns.
- Provide adult supervision at all times.

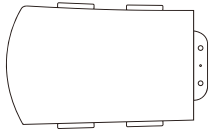
PLEASE DO NOT RETURN TO STORE



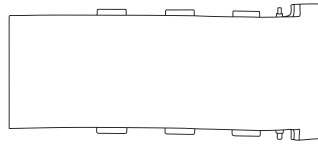
**Please do not return this product to the retailer!!
We are able to assist you in ANY way**

If you find that you have any trouble with assembly or missing or damaged parts please contact the seller.

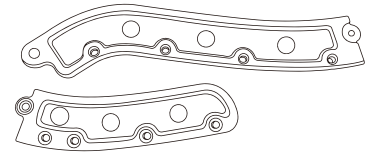
PART LIST



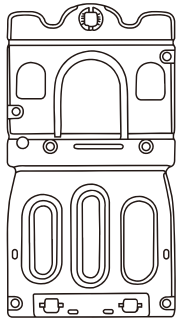
Buffer Board * 1



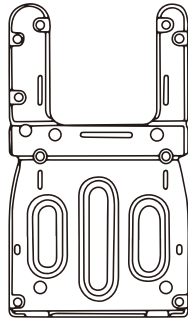
Slide * 1



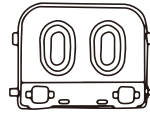
Slide Handrail * 2



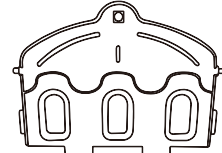
Large Side Panel * 1



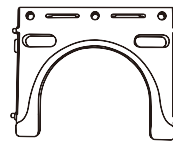
U-shaped Side Panel * 3



Tower Gate * 4



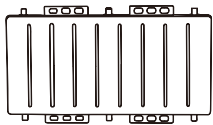
Bridge Fence * 2



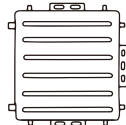
Tunnel Panel * 2



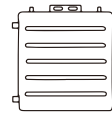
Round Hole Panel * 3



Tunnel Platform * 1



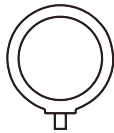
Large Platform * 1



Small Platform * 1



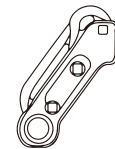
Pedal * 3



Basketball Rim * 1



Basketball Net * 1



Stair Handrail * 2



Screw A * 1



Nut B * 7



Nut C * 50



Square Screw D * 2



Long Square Screw E * 2



Nut F * 2

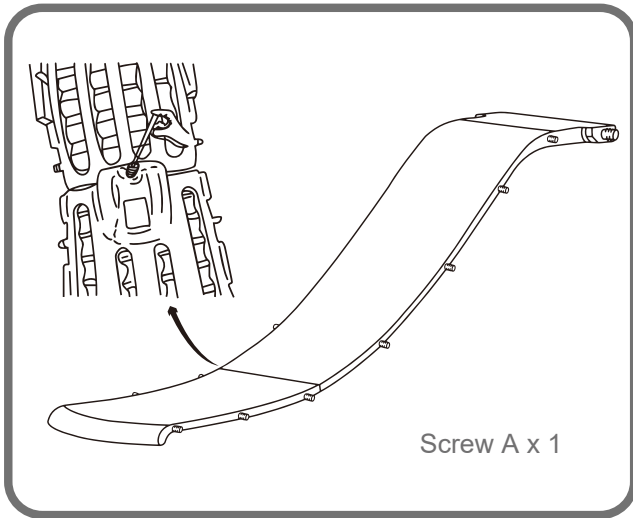


Nut G * 18



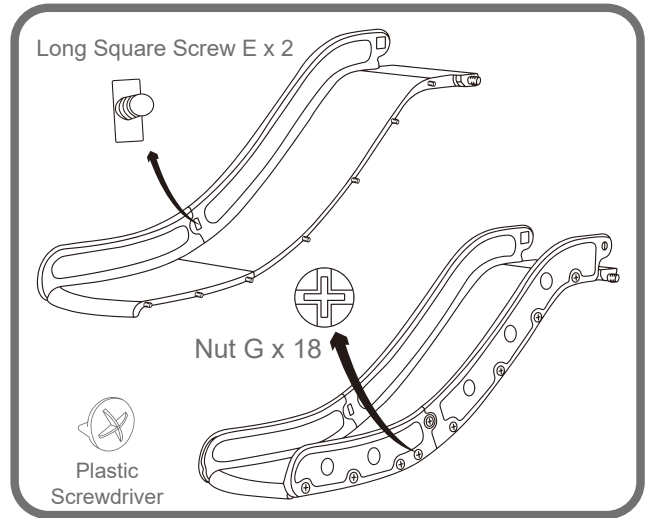
Plastic Screwdriver * 1

ASSEMBLY



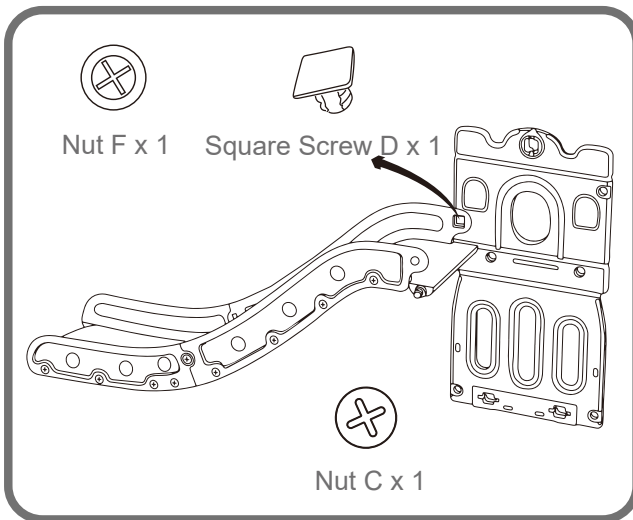
Step1

Attach the Slide to the Buffer Board, and secure with Screw A on the back.



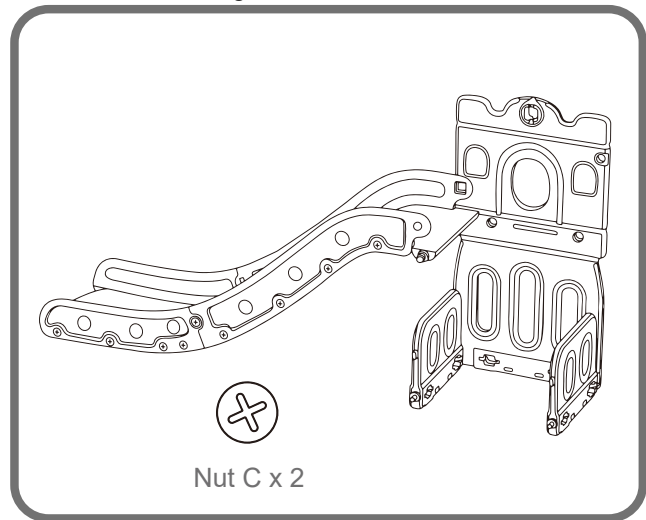
Step2

Connect the Handrails together with Long Square Screw E, and then attach the long handrail to Slide, secure with 9pcs Nut G on each side, 18pcs Nut G in total. Tighten with Plastic Screwdriver.



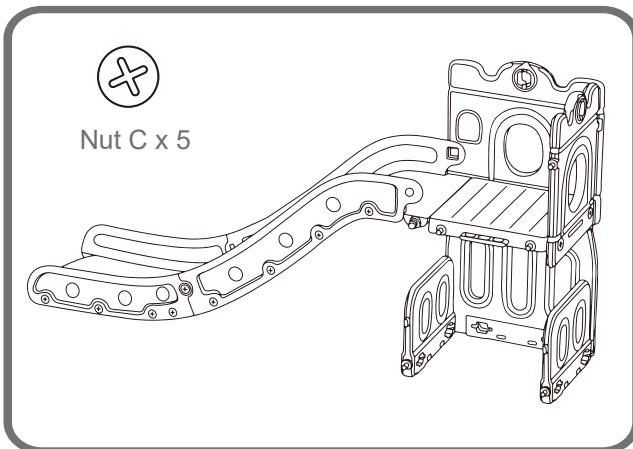
Step3

Connect the Slide section previously assembled to the Large Side Panel, securing them with 1pc Nut C, 1pc Square Screw D and 1pc Nut F, using Plastic Screwdriver.



Step4

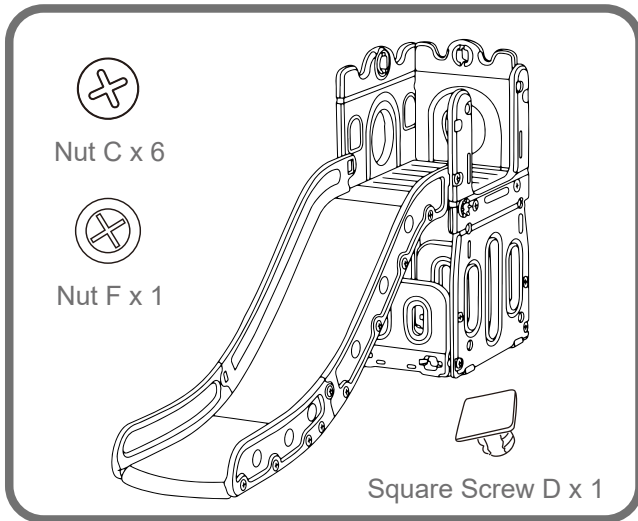
Take 2 Tower Gates, insert them through the holes on the Large Side Panel, and secure with 2pcs Nut C.



Step5

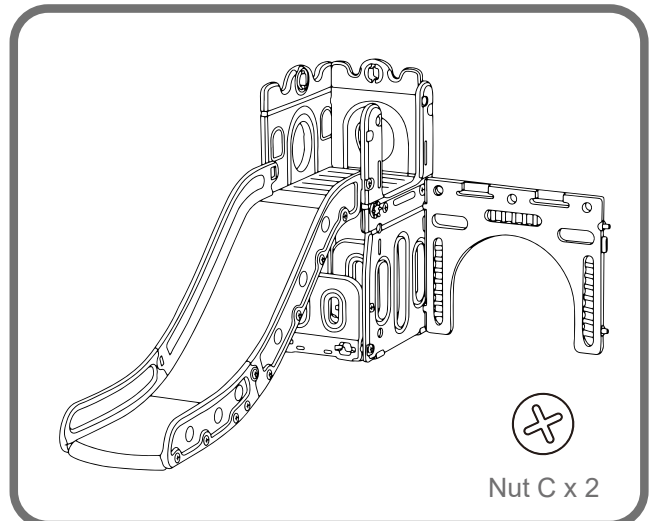
Connect the Round Hole Panel and Small Platform with 2pcs Nut C. Then attach this part to the slide section, secure with 3pcs Nut C.

ASSEMBLY



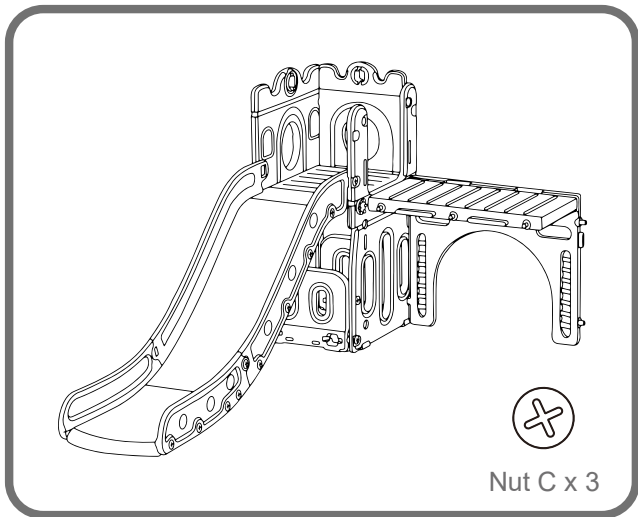
Step6

Attach the U-shaped Side Panel as illustrated, and secure with 6pcs Nut C, 1pc Nut F and 1pc Square Screw D.



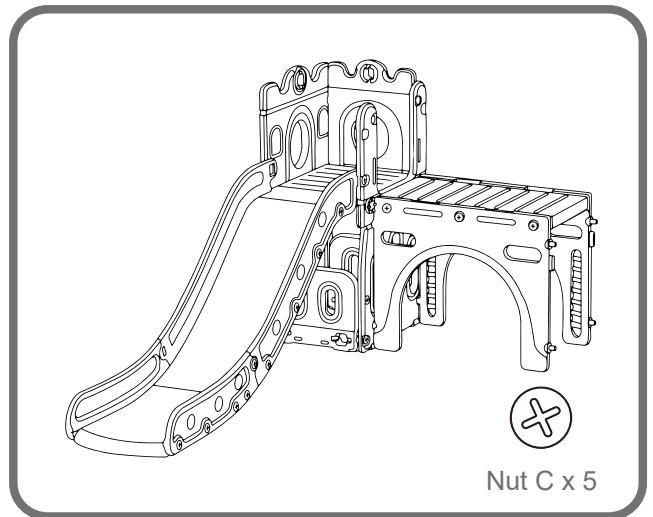
Step7

Install the Tunnel Panel to the assembled section, and secure with 2pcs Nut C.



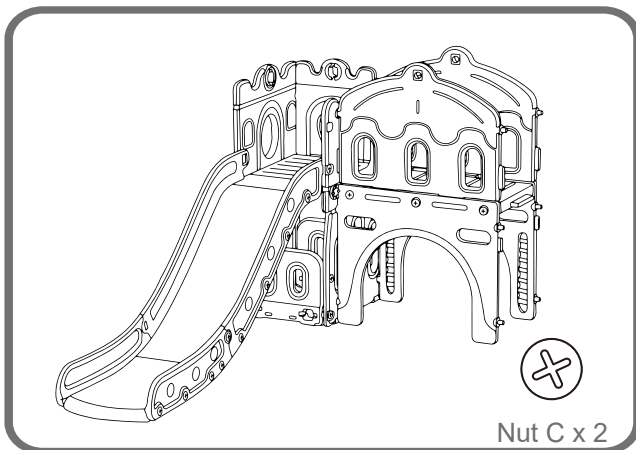
Step8

Position Tunnel Platform as illustrated, secure it to the assembled part with 3pcs Nut C.



Step9

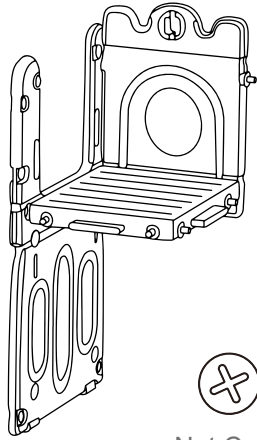
Attach another Tunnel Plate and secure with 5pcs Nut C.



Step10

Install the Bridge Fences and secure with 2pcs Nut C.

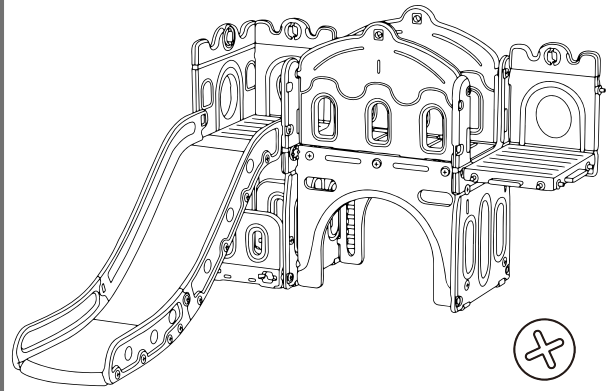
ASSEMBLY



Nut C x 5

Step11

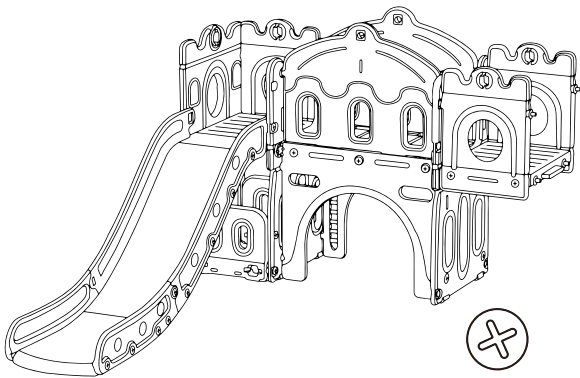
Connect the Round Hole Panel and the Large Platform with 5pcs Nut C.



Nut C x 6

Step12

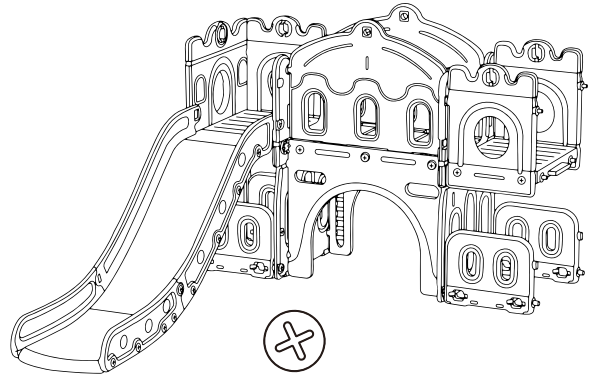
Attach the U-shaped Side Panel section to the assembled part, secure with 6pcs Nut C.



Nut C x 3

Step13

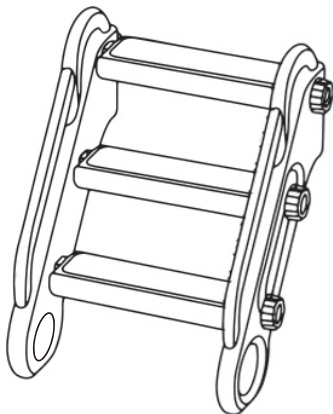
Add the 3rd Round Hole Panel as illustrated, secure with 3pcs Nut C.



Nut C x 2

Step14

Insert 2 Tower Gates to the bottom of U-shaped Side Panel, secure with 2pcs Nut C.

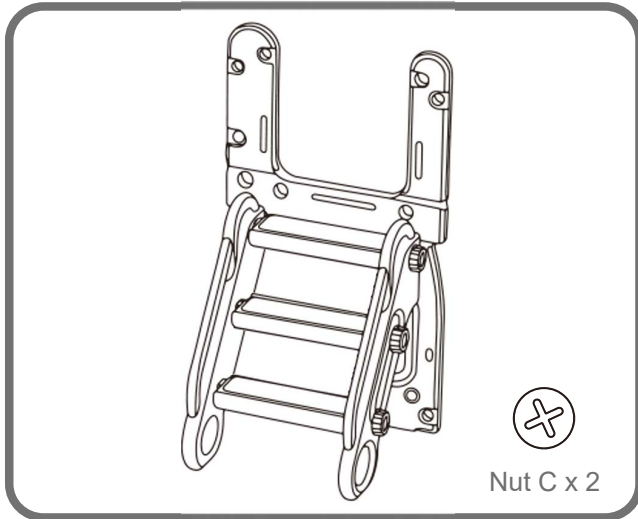


Nut B x 6

Step15

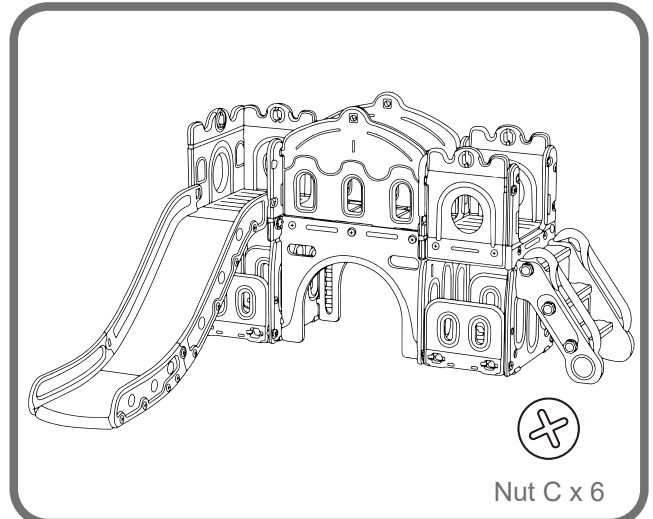
Insert the Pedals into the holes in Stair Handrails, and secure with 6pcs Nut B.

ASSEMBLY



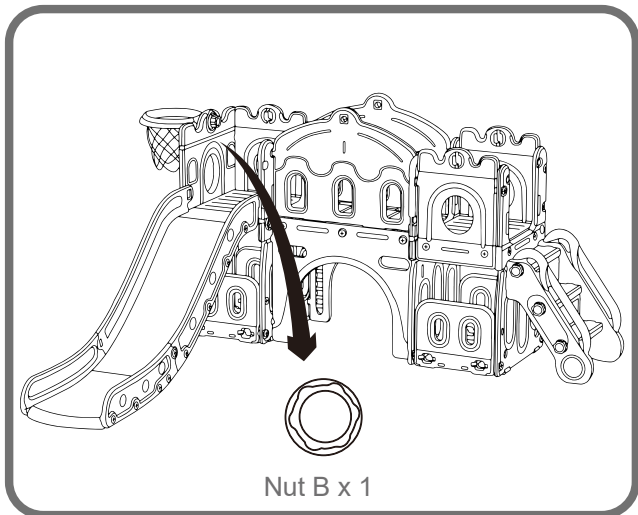
Step16

Connect the Stair and the U-shaped Side Panel as illustrated, and secure with 2pcs Nut C.



Step17

Attach the stair set to the assembled section, and secure with 6pcs Nut C.



Step18

Put the Basketball Net on the Rim, and then install the basketball set to the Large Side Panel, fasten with Screw B.