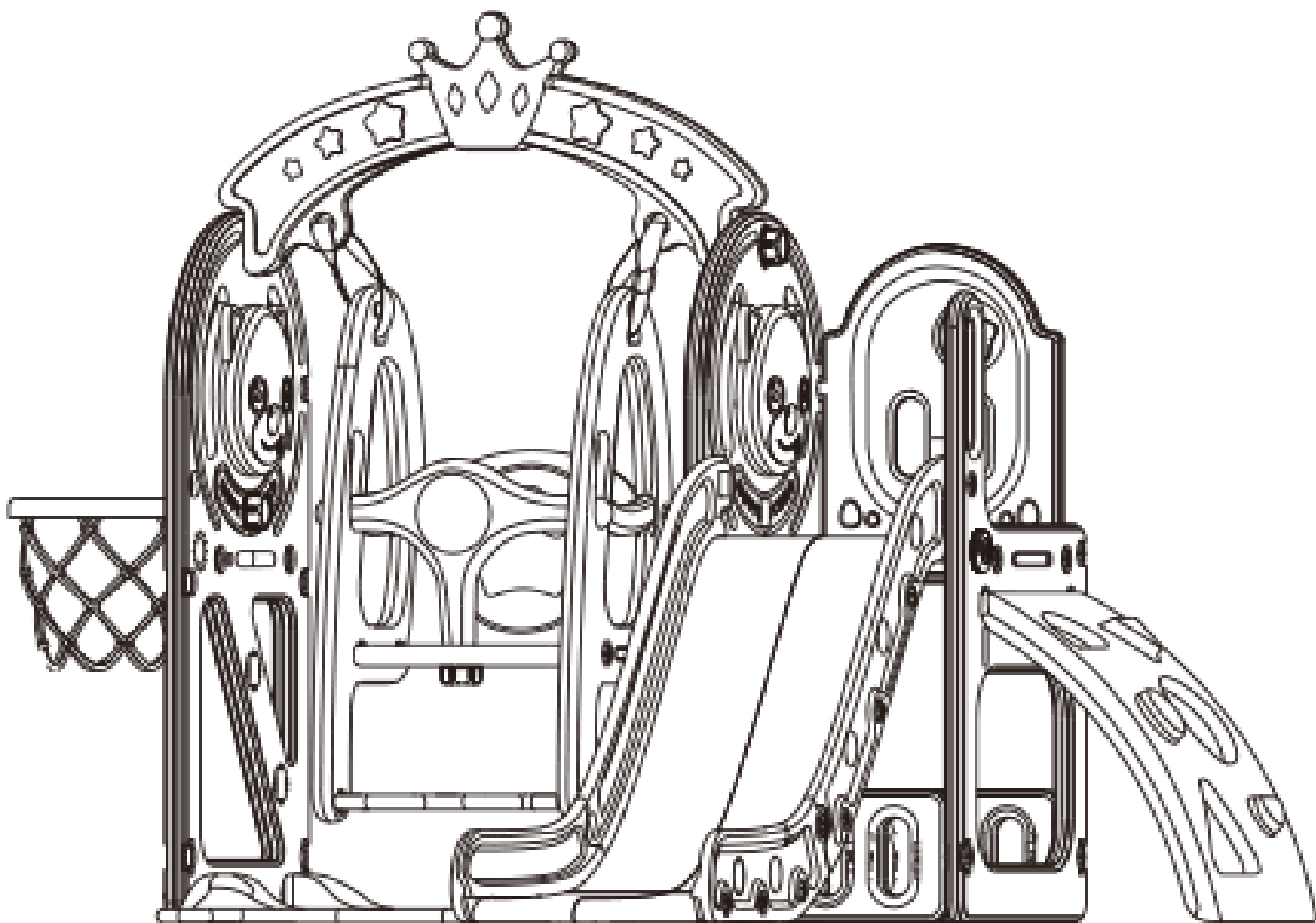


Slide & Swing Playset

USER MANUAL



READ AND SAVE THIS INSTRUCTION FOR FUTURE USE

SAFETY & WARNINGS

ADULT ASSEMBLY REQUIRED.

- Keep these instructions for future reference.
- This product is intended for indoor, outdoor, family, domestic use only.
- Place this product on level ground and at least 6.6' away from a fence, building, overhead branches, laundry lines or electrical wires. This product should be placed away from furniture that could cause injury if a fall occurs.
- Ensure the installation area is ventilated.
- Do not use the product if it is damaged or defective. If it is damaged or defective, please contact a qualified technician.
- Check that all parts are assembled well and are stable before use. Defective parts must be changed immediately as they can impair the function and the safety of the product.
- When temperatures fall below freezing (0°C/32°F), outdoor use of this product is not recommended. In extreme cold, plastic materials lose resilience and may become brittle and crack with impact. Store product in a warmer, protected place.
- Keep away from fire or any source of ignition.
- Packing materials are not toys, keep them away from children.
- Instruct children on proper use of this product: only after properly assembled and installed, and not in a manner other than intended.
- Dress children appropriately: do not allow children to wear loose-fitting clothing including ponchos, scarves and garments with drawstrings. Well-fitting shoes must be worn at all times.
- Avoid placing equipment in direct sunlight as hot surfaces could cause serious burns.
- Provide adult supervision at all times.

PLEASE DO NOT RETURN TO STORE



**Please do not return this product to the retailer!!
We are able to assist you in ANY way**

If you find that you have any trouble with assembly or missing or damaged parts please contact the seller.

PART LIST



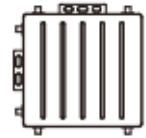
Slide Extension x 1



Slide x 1



Slide Handrail x 2



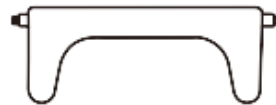
Platform x 1



Side Panel A x 2



Crown x 1



Swing Base x 2



Dog Cover x 2



Swing Armrest x1



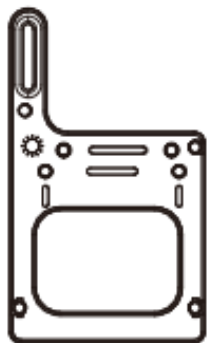
Swing Seat x 1



Swing Arm x 2



Climber x 1



Side Panel B x 1



Platform Panel x 1



Basketball Ring x 1



Basketball Net x 1



Basketball x 1



Swing Pedal x 1



Three-Hole Panel x 2



Screw A x 1



Screw B x 8



Buckle x 2



Connecting Belt x 2



Screw C x7



Cap x 2



Screw D x 2



Screw E x 2



Screw F x 22



Screw G x 16



Screw H x 2

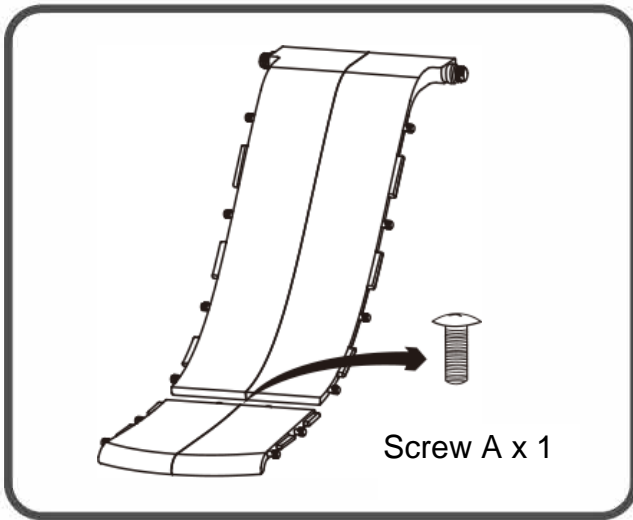


Screw I x 1



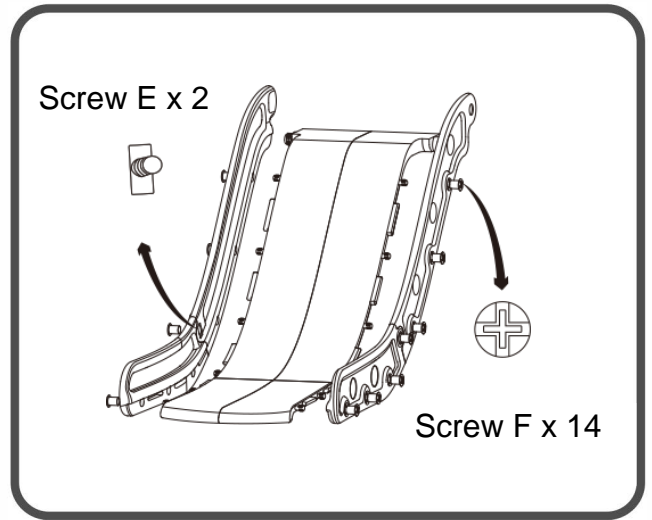
Screwdriver A & B

ASSEMBLY



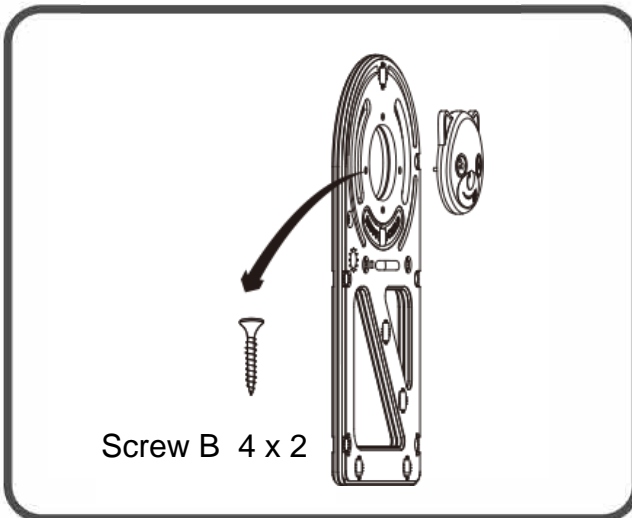
Step1

Connect the Slide Extension to Slide, secure with 1 Screw A.



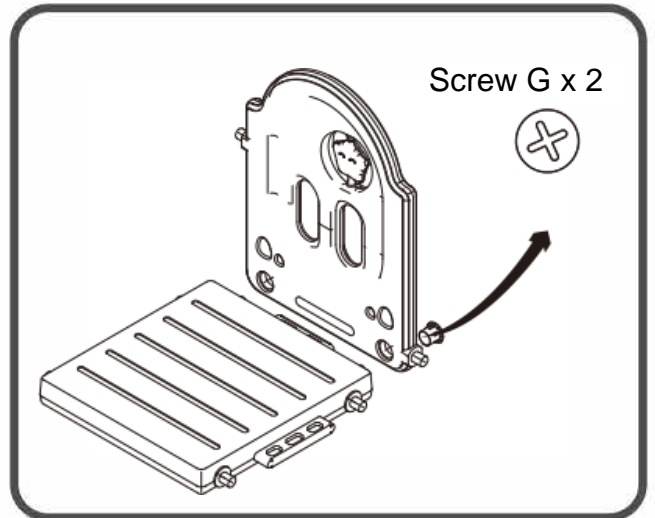
Step2

Attach the Handrails, secure with 7 Screw F and 1 Screw E on each side.



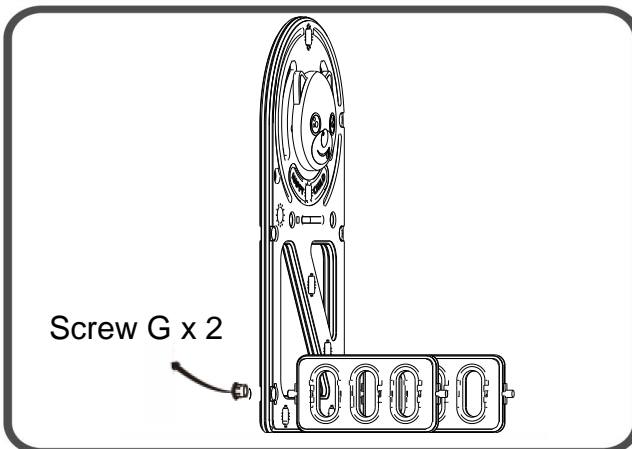
Step3

Connect the 2 Dog Cover to 2 Side Panel A, secure with 8 Screw B. (Attach the dog ears to the face, no screw needed)



Step4

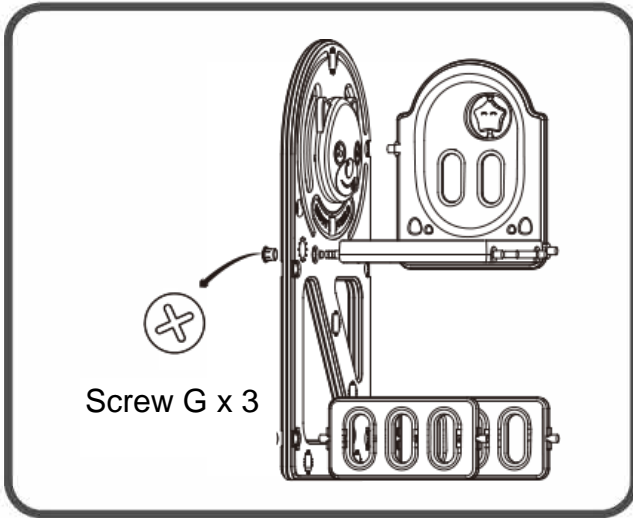
Connect the Platform to Platform Panel, secure with 2 Screw G.



Step5

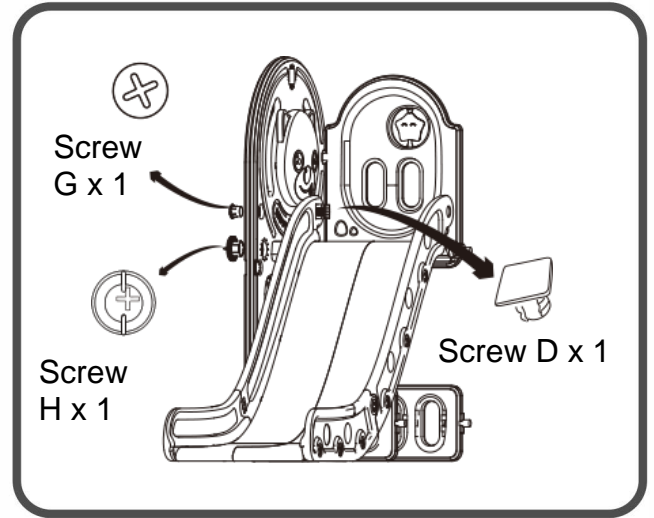
Attach the Three-Hole Panel to Side Panel A as shown, secure with 2 Screw G.

ASSEMBLY



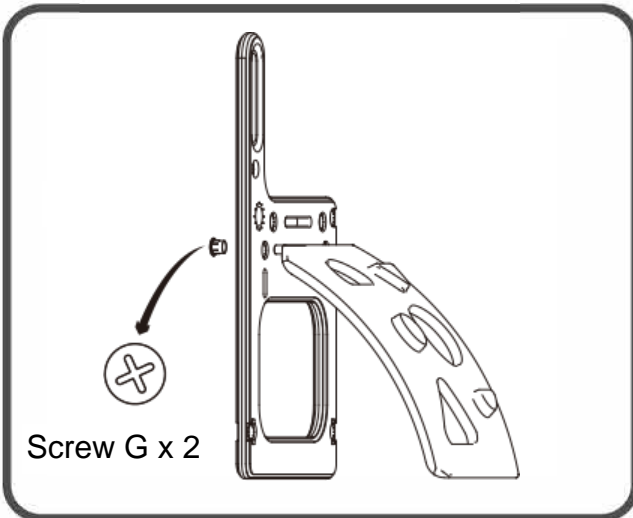
Step 6

Connect the Platform Panel and Platform to Side Panel A, secure with 3 Screw G.



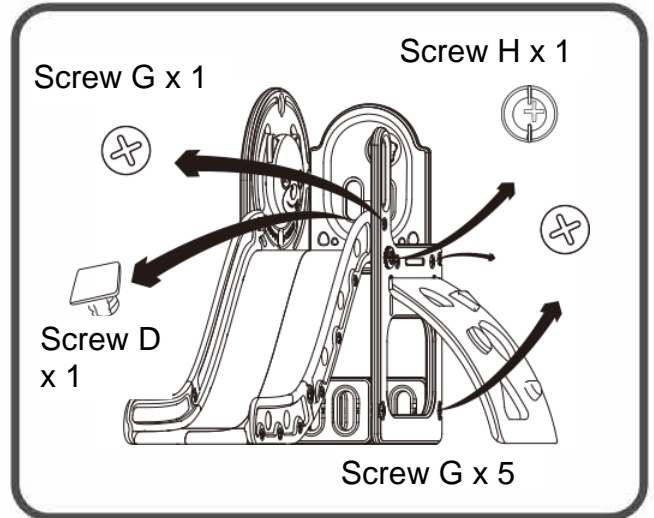
Step 7

Connect the slide to the Side Panel A, secure with 1 Screw G, 1 Screw H, 1 Screw D.



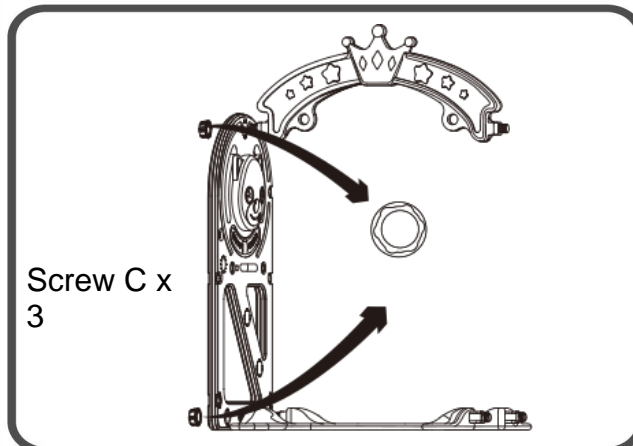
Step 8

Connect the Slide Panel B to Climber, secure with 2 Screw G.



Step 9

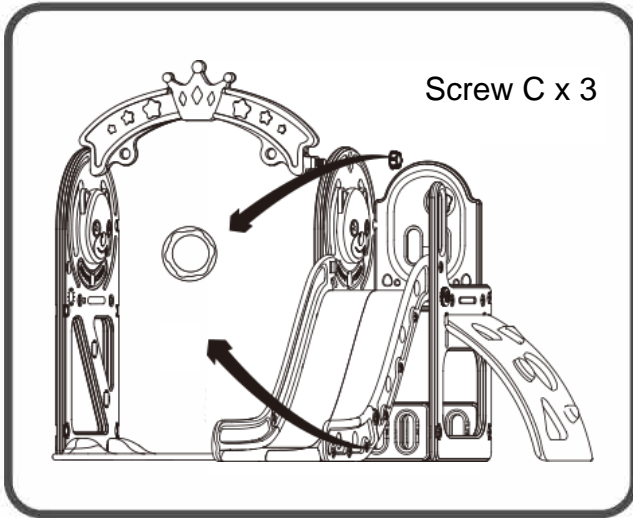
Attach the Panel B and Climber to the other side of the Slide, secure with 6 Screw G, 1 Screw D, 1 Screw H.



Step 10

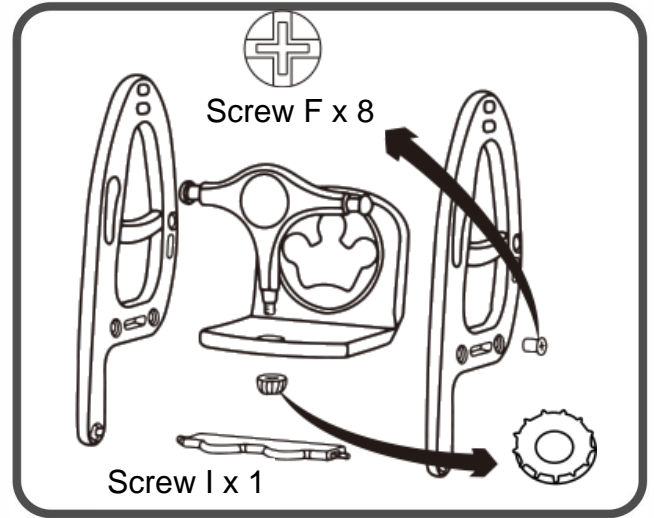
Connect the Crown and Swing Base to the Side Panel A, secure with 3 Screw C.

ASSEMBLY



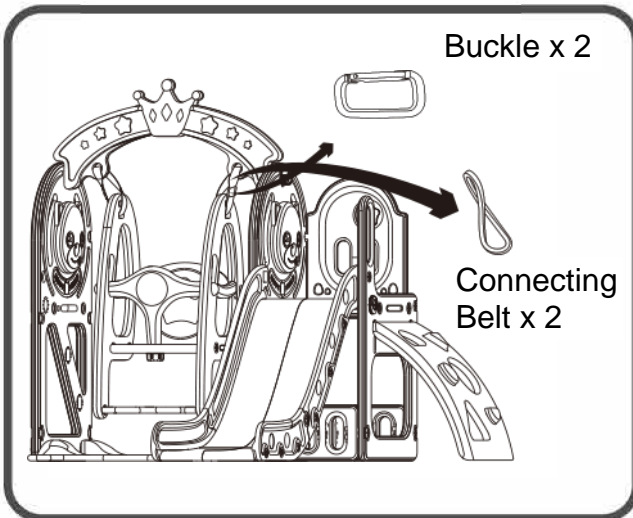
Step 11

Connect Step 10 Assembled parts to the Side Panel A and Slide, secure with 3 Screw C.



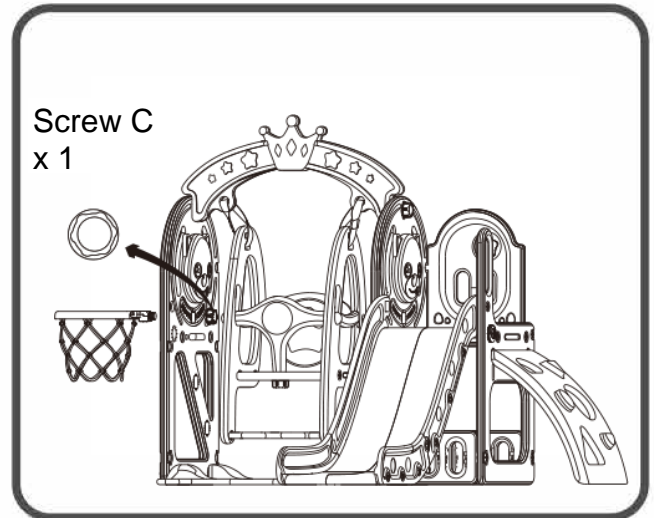
Step 12

Connect the Swing Armrest, Swing Seat, Swing Pedal to the 2 Swing Arm, secure with 8 Screw F, 1 Screw I.



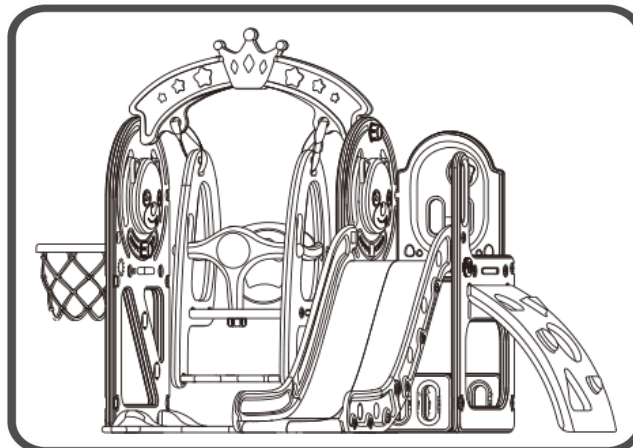
Step 13

Connect the Swing Arm to the Crown, secure with 2 Buckle and 2 Connecting Belt.



Step 14

Connect the Basketball Ring to the Side Panel A, secure with 1 Screw C.



Step 15

Assembly completed!



GENERAL SAFETY INSTRUCTIONS

This product is intended for indoor, outdoor, home, domestic use only. It is not suitable for commercial or medical use.

The assembly of the product must be done carefully and by an able-bodied adult. If in any doubt, ask a technically qualified person.

Do not use the product if it is damaged or defective. If it is damaged or defective, please contact a qualified technician.

Check the product before each use. Defective parts must be changed immediately as they can impair the function and the safety of the product.

Use the product only on even and non-slip surfaces. Keep sufficient space around for safety.

Beware that when using tools or doing technical work, there is always a risk of injuries. Assemble the product with care.

After installing the product according to the instruction manual, ensure all screws, bolts and nuts are correctly installed and tightened and that all joints are secure.

Do not make alterations to the product. Only use original spare parts. Only qualified technicians should carry out repairs - improper repairs can lead to danger for the user. Use this product only as described in this manual.

IMPORTANT

The owner's manual contains safety, assembly, use and maintenance instructions. The product must be assembled by an adult who has read and understood these instructions. Keep the packaging away from children and dispose of all packaging before use.

OPERATION INSTRUCTIONS

Provide adult supervision at all times.

The disassembled product contains small parts which pose a choking hazard to children under 3.

Dress children appropriately, including wearing well-fitting shoes that fully protect feet.

Instruct children:

- to sit in the center of the swings with their full weight on the seats,
- to avoid swinging empty seats,
- to slide feet first; one child down slide at a time,
- to remove articles, before playing on equipment, that create hazards when they get tangled and caught.
- not to walk close to, in front of, behind, or between moving items,
- not to get off equipment while it is in motion.

Never allow children to use the equipment in a manner other than intended. Do not swing while standing or slide down head first.