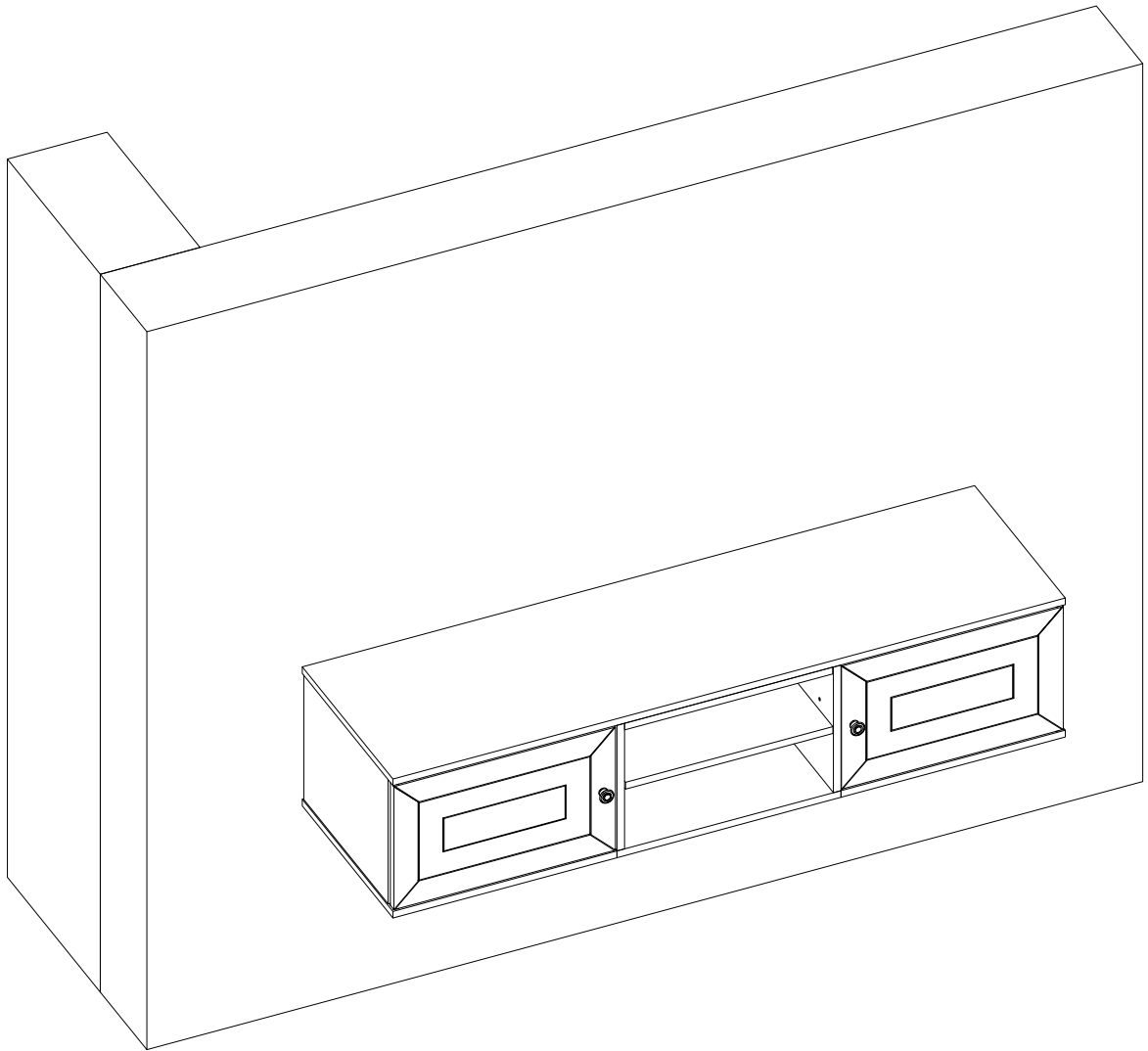


TV STAND

USER MANUAL



SAVE THESE INSTRUCTIONS FOR FUTURE USE

PLEASE DO NOT RETURN TO STORE



**Please do not return this product to the retailer!!
We are able to assist you in ANY way**

If you find that you have any trouble with assembly or missing or damaged parts please contact the seller.

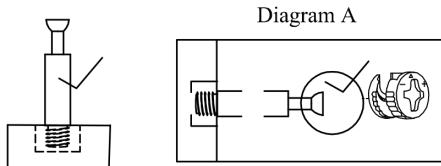
BEFORE INSTALLATION

Thank you for purchasing this quality product. Be sure to check all packing materials carefully for small parts, which may have come loose inside the carton during shipment. Identify and count all items according to the PARTS LIST and/or HARDWARE LIST shown below.

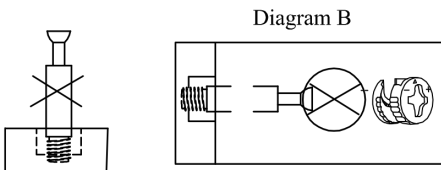
Caution: Please read the instructions thoroughly before assembly.

1. We recommend that you assemble this product with the assistance of another person; this will make the assembly easier, and will help eliminate damage to the product or injury to persons during assembly.
2. Please do not over tighten screws or bolts until the assembly is completed.
3. Please put all parts on a non-abrasive floor before assembly, and follow the assembly steps to assemble your newly purchased product correctly and efficiently.

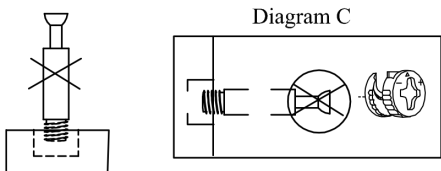
Cam Lock Assembly Instructions



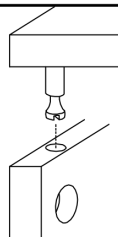
Insert Cam Bolt into hole as shown in diagram A.



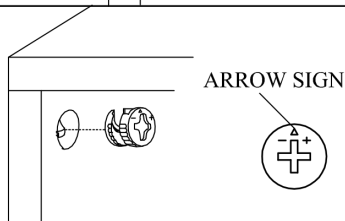
Make sure not to insert the Cam Bolt: Too deep as shown in figure B as this will cause the Cam Lock to be misaligned and unable to interlock properly.



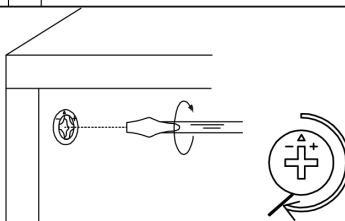
Also avoid inserting the Cam Bolt too close to the surface of the hole as shown in figure C, as this will cause the Cam Lock to be too loose, and not interlock properly.



Connect the panels together.



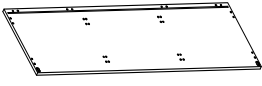
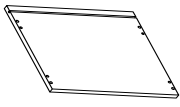
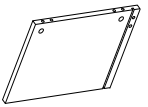
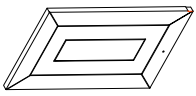
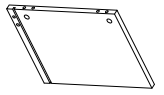
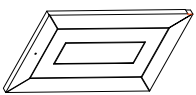
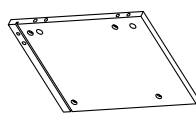
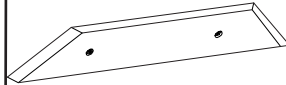
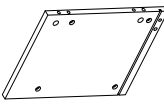
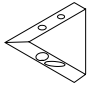
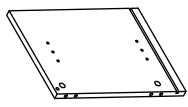
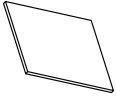
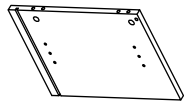

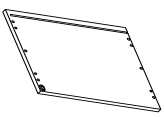
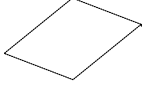
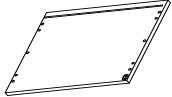
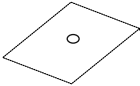
Insert the Cam Lock so the side opening fits over the head of the Cam Bolt.



To tighten the Cam Lock, turn it clockwise on half a turn with a flat screwdriver.
**Do not use an automatic screwdriver as it may bend or break if too much power is imposed.*

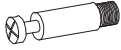

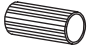
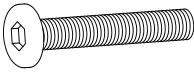
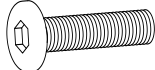
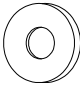


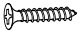







Assembly Instructions

PARTS LIST

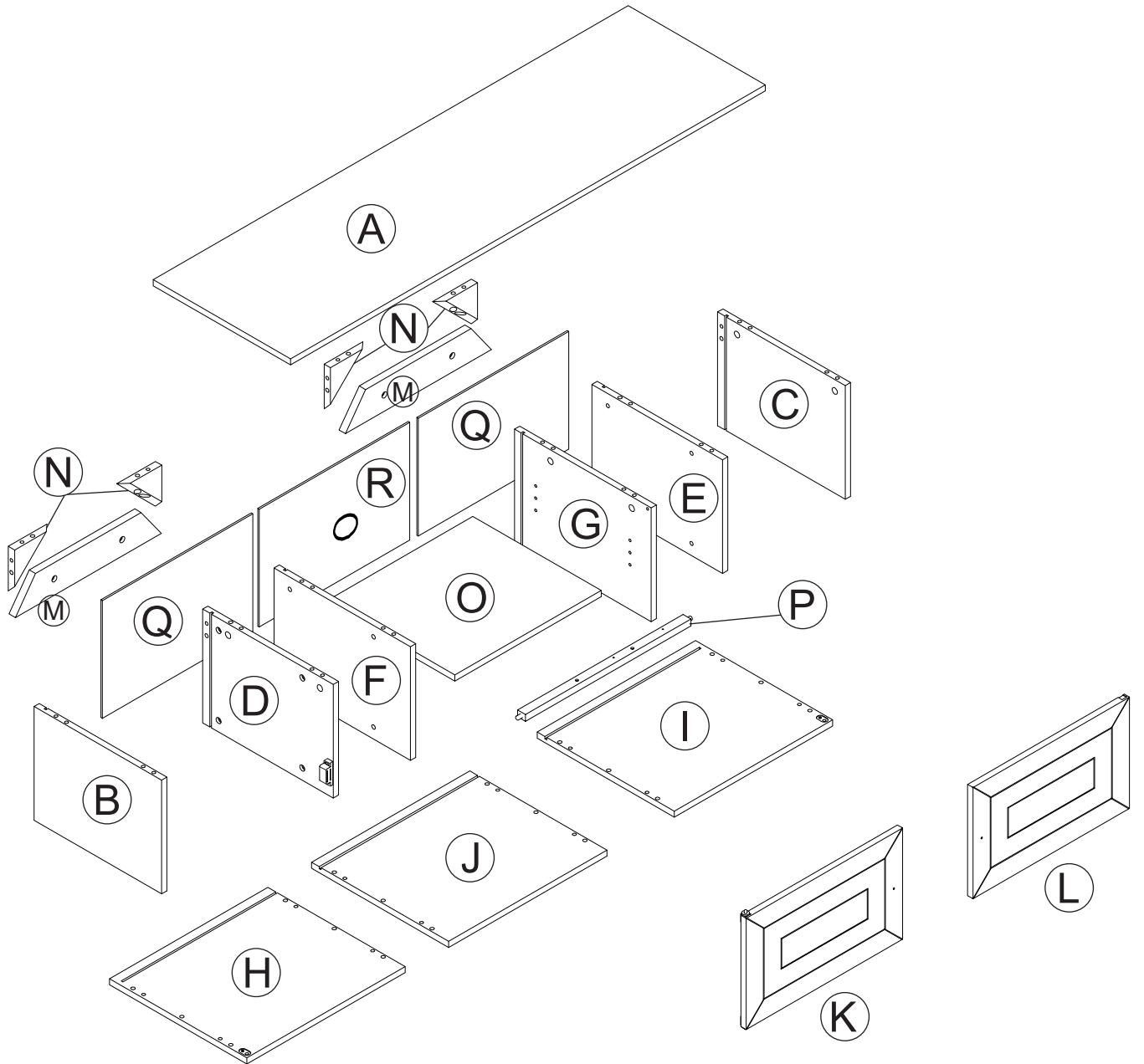
NO.	COMPONENT	SKETCH	QTY.	NO.	COMPONENT	SKETCH	QTY.
A	Top Panel		1PC	J	Middle Bottom Panel		1PC
B	Left Outer Panel		1PC	K	Left Door		1PC
C	Right Outer Panel		1PC	L	Right Door		1PC
D	Left Inner Panel		1PC	M	Wall Cleat		2PCS
E	Right Inner Panel		1PC	N	Back Corner		4PCS
F	Left Panel of Middle Frame		1PC	O	Shelf		1PC
G	Right Panel of Middle Frame		1PC	P	Front Bar		1PC
H	Left Bottom Panel		1PC	Q	Left/Right Rear Panel		2PCS
I	Right Bottom Panel		1PC	R	Middle Rear Panel		1PC

Assembly Instructions

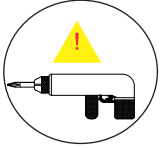
HARDWARE LIST

NO.	COMPONENT	SKETCH	QTY.
1	Cam Bolt		12PCS
2	Cam Lock		12PCS
3	Wooden Dowel 8 x 30		32PCS
4	Long Bolt 1/4" x 38		26PCS
5	Short Bolt 1/4" x 20		8PCS
6	Flat Washer 1/4" DIA		34PCS
7	Spring Washer 1/4" DIA		34PCS
8	M4 ALLEN KEY		1PC
9	WOOD SCREW M3 x 15 (2 Extra)		6PCS
10	Plastic Washer		4PCS
11	Shelf Pin		4PCS
12	Magnetic Door Catch (2pcs Extra)		2PCS
13	Door Knob		2PCS
14	Bolt of Handle 5/32" x 20		2PCS
15	Plastic Anchor M8 x 60 (4pcs Extra)		4PCS
16	Bolt Wooden M6 x 50 (2pcs Extra)		4PCS

Assembly Instructions



Assembly Instructions

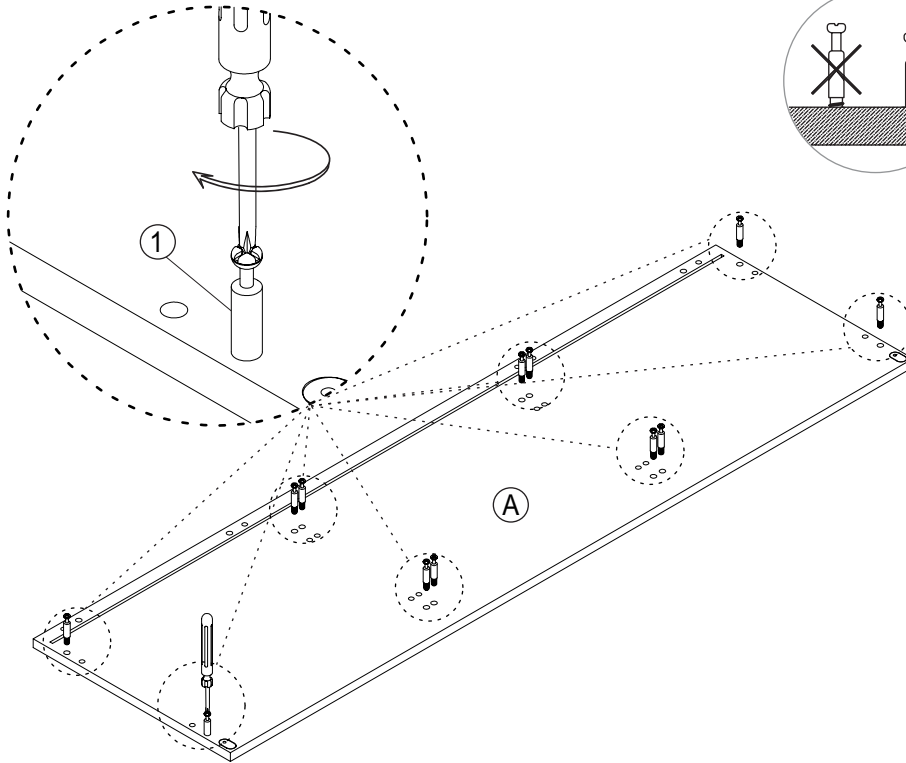


ASSEMBLY TOOLS REQUIRED (NOT INCLUDED)



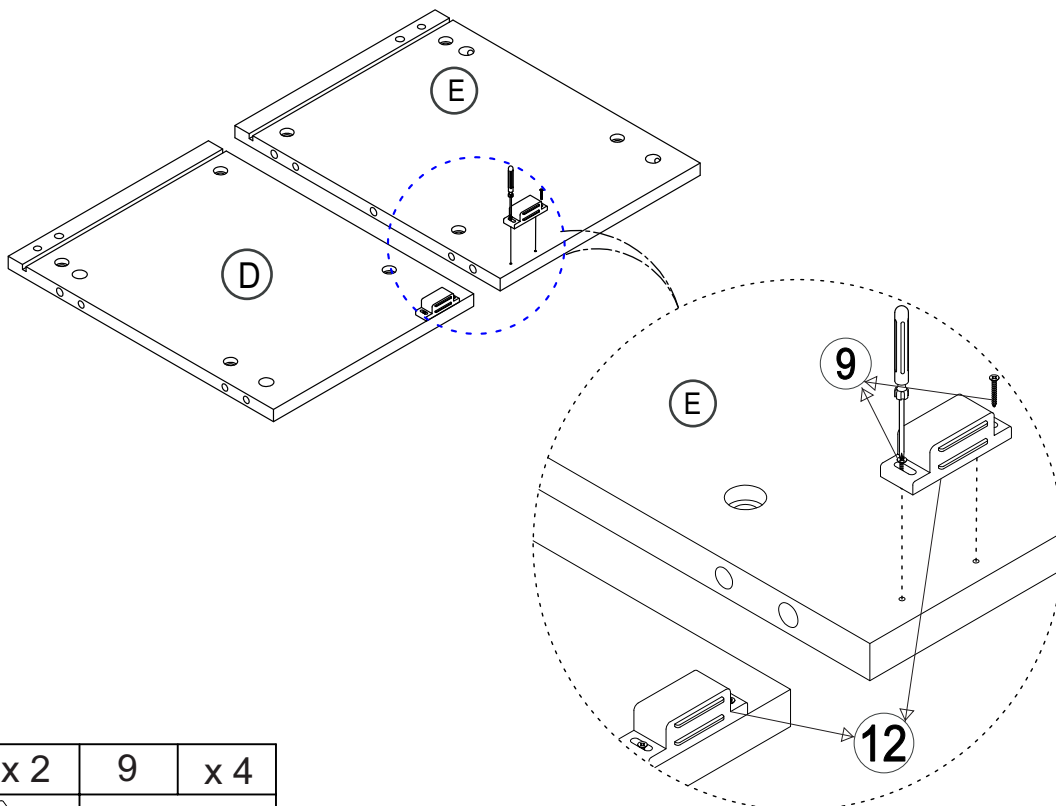
PLEASE BE CAREFUL DO NOT DAMAGE THE HOLE POSITION WHEN YOU USE POWERTOOLS!

STEP 1



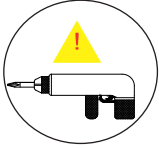
1	X 12
Ø6 X 25	

STEP 2



12	x 2	9	x 4
46 x 16 x 14		M3 x 15	

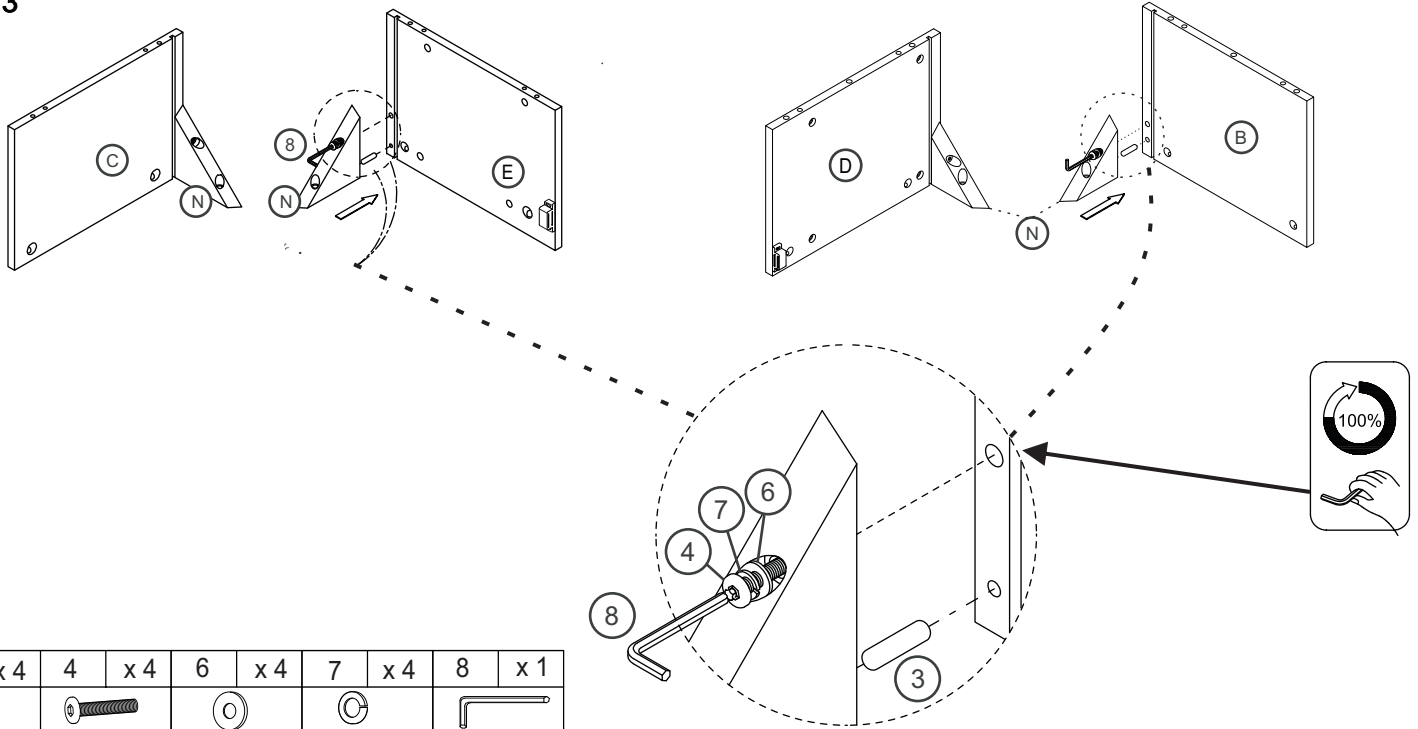
Assembly Instructions



ASSEMBLY TOOLS REQUIRED (NOT INCLUDED) 

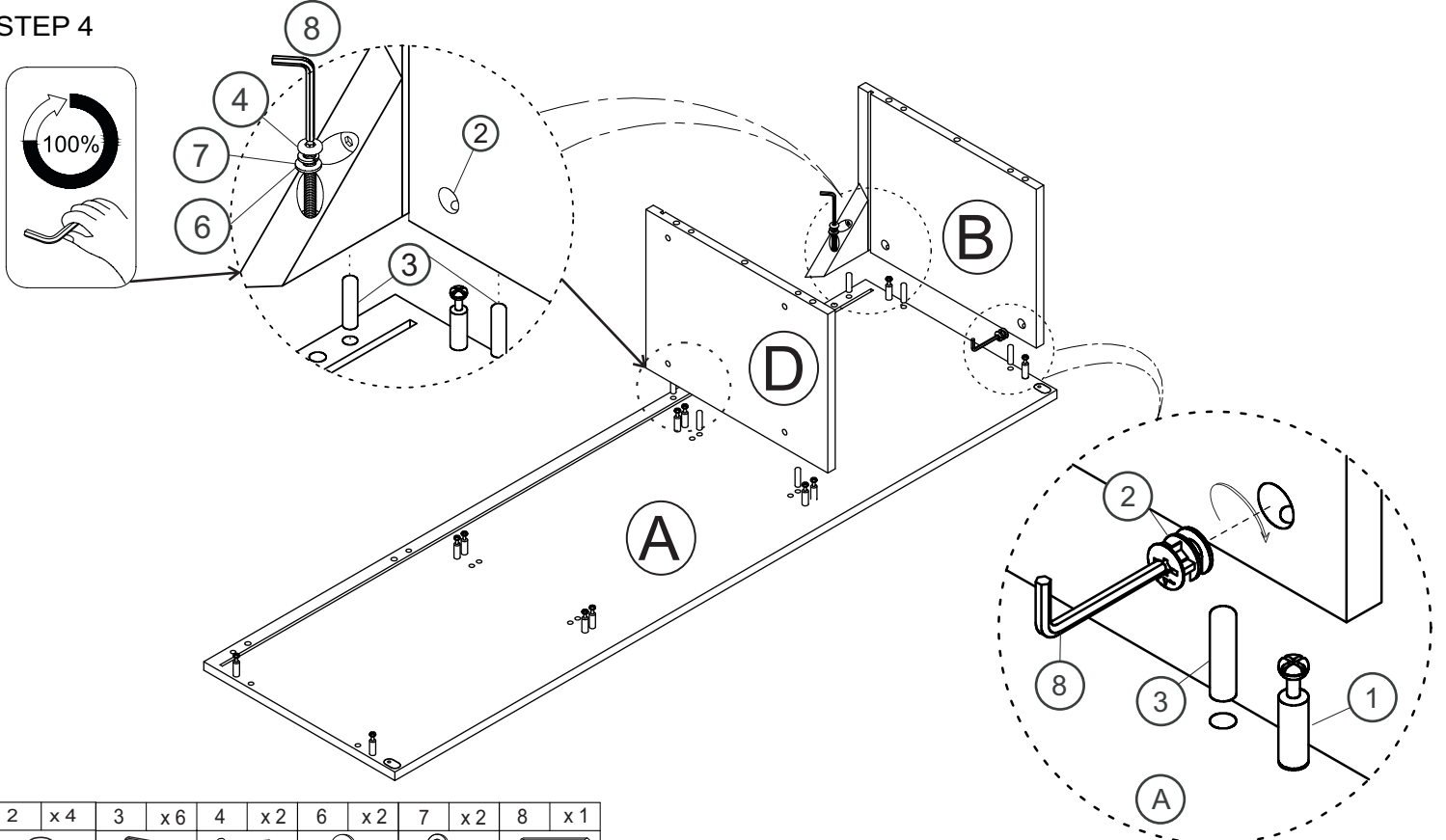
PLEASE BE CAREFUL DO NOT DAMAGE THE HOLE POSITION WHEN YOU USE POWERTOOLS!







STEP 3



3	x 4	4	x 4	6	x 4	7	x 4	8	x 1
									
Ø8 X 30		1/4" x 38		1/4" DIA		1/4" DIA		K4 x 100	

STEP 4



2	x 4	3	x 6	4	x 2	6	x 2	7	x 2	8	x 1
											
Ø15 X 12		Ø8 X 30		1/4" x 38		1/4" DIA		1/4" DIA		K4 x 100	

Assembly Instructions

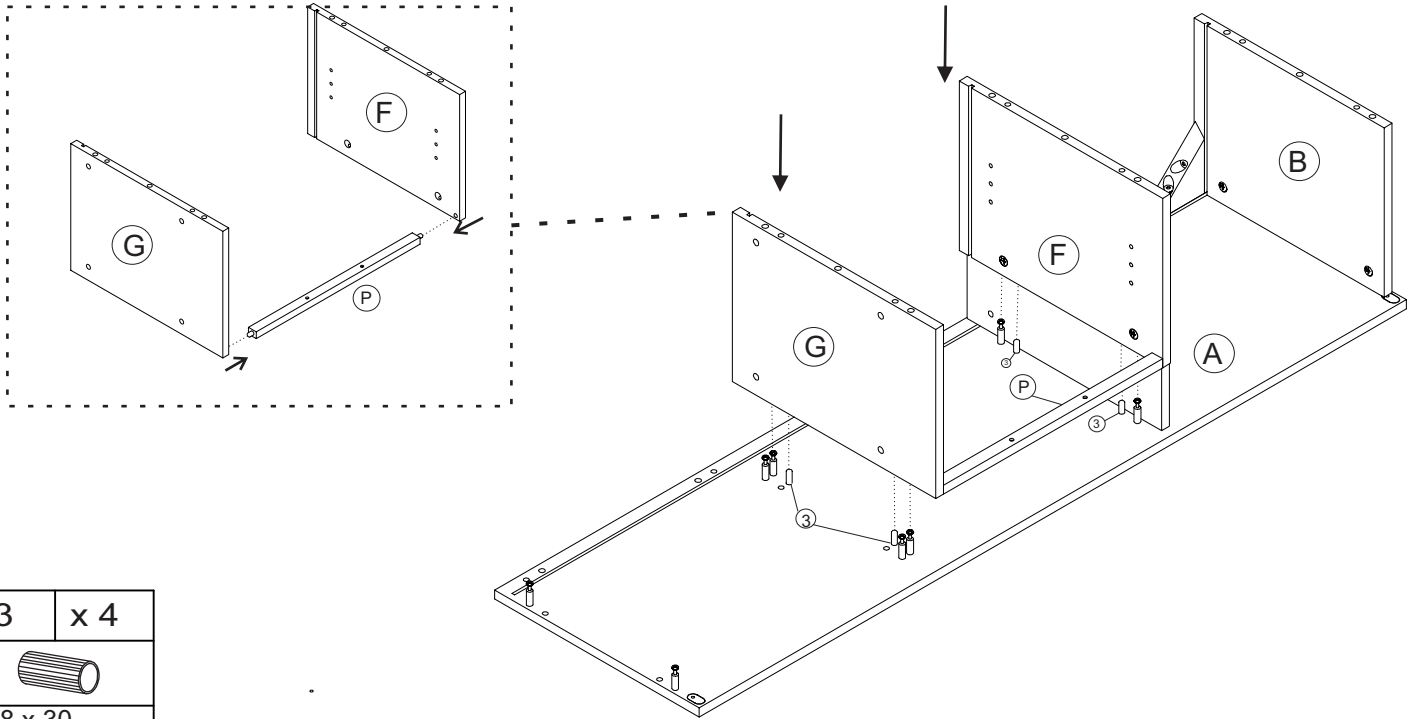


ASSEMBLY TOOLS REQUIRED (NOT INCLUDED)



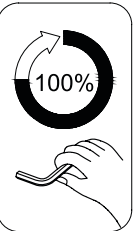
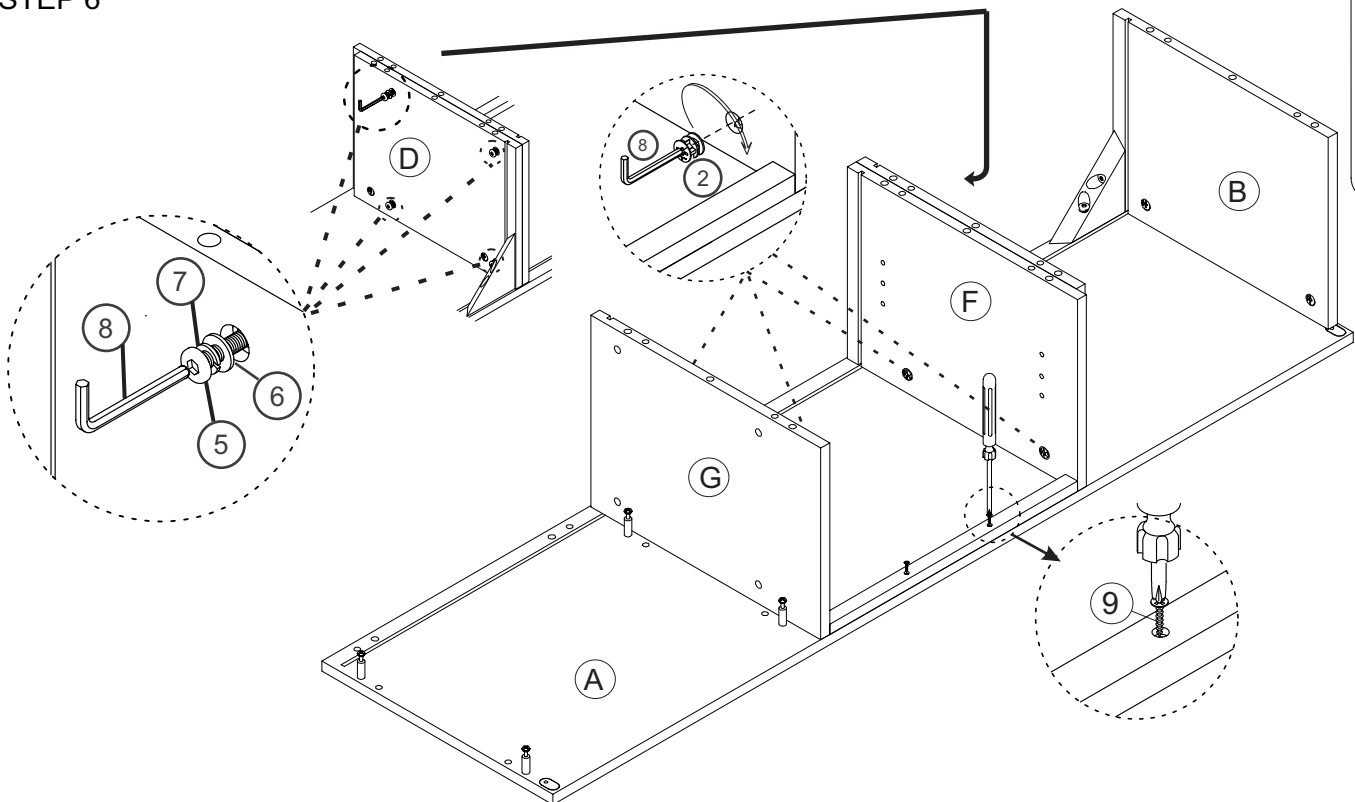
PLEASE BE CAREFUL DO NOT DAMAGE THE HOLE POSITION WHEN YOU USE POWERTOOLS!

STEP 5



3	x 4
Ø8 x 30	

STEP 6



2	x 4	5	x 4	6	x 4	7	x 4	8	x 1	9	x 2
Ø15 X 12		1/4" x 20		1/4" DIA		1/4" DIA		K4 x 100		M3 x 15	

Assembly Instructions

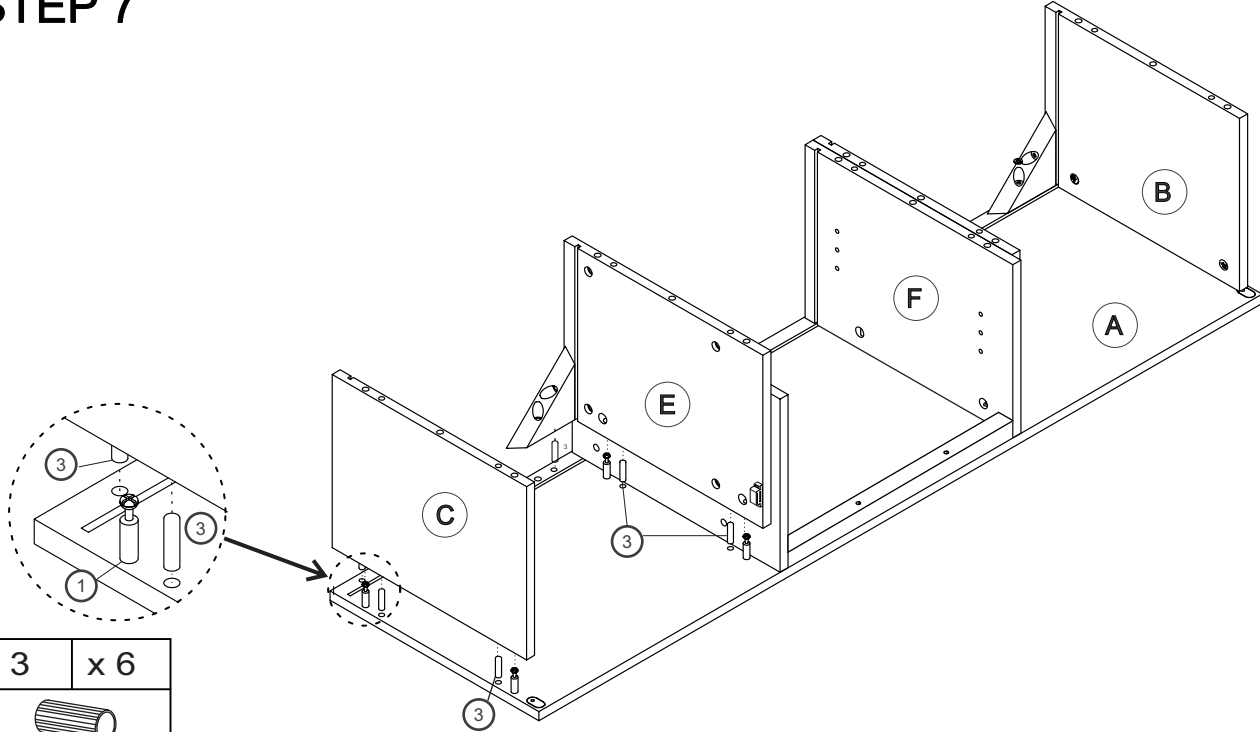


ASSEMBLY TOOLS REQUIRED (NOT INCLUDED)



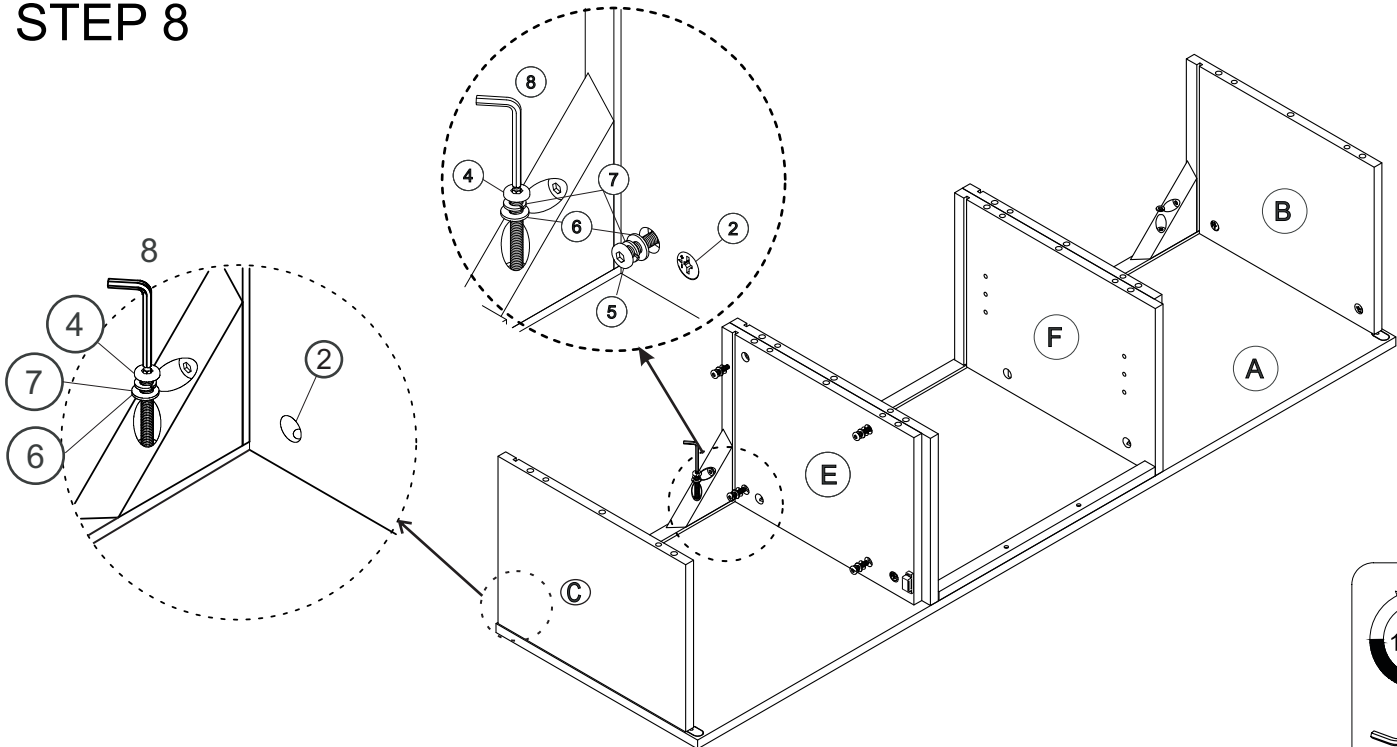
PLEASE BE CAREFUL DO NOT DAMAGE THE HOLE POSITION WHEN YOU USE POWERTOOLS!

STEP 7

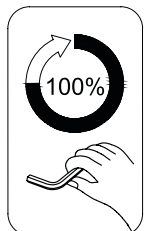


3	x 6
$\varnothing 8 \times 30$	

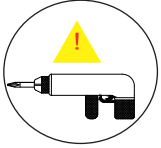
STEP 8



2	x 4	4	x 2	5	x 4	6	x 6	7	x 6	8	x 1
$\varnothing 15 \times 12$		$1/4" \times 38$		$1/4" \times 20$		$1/4" \text{ DIA}$		$1/4" \text{ DIA}$		K4 x 100	



Assembly Instructions

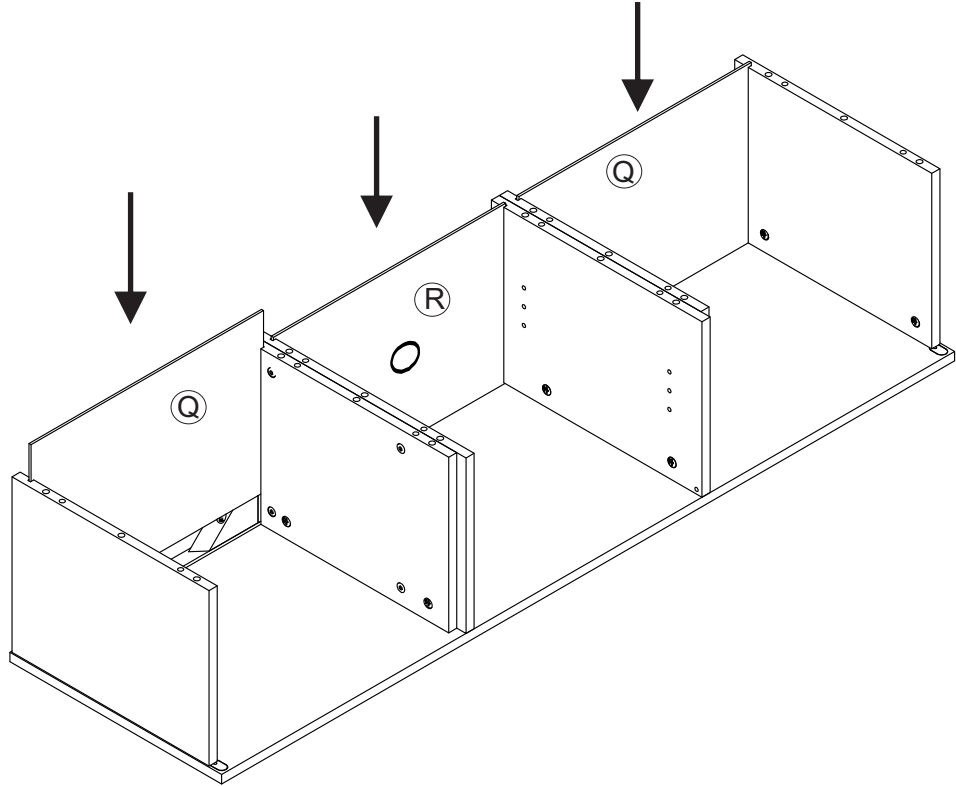


ASSEMBLY TOOLS REQUIRED (NOT INCLUDED)

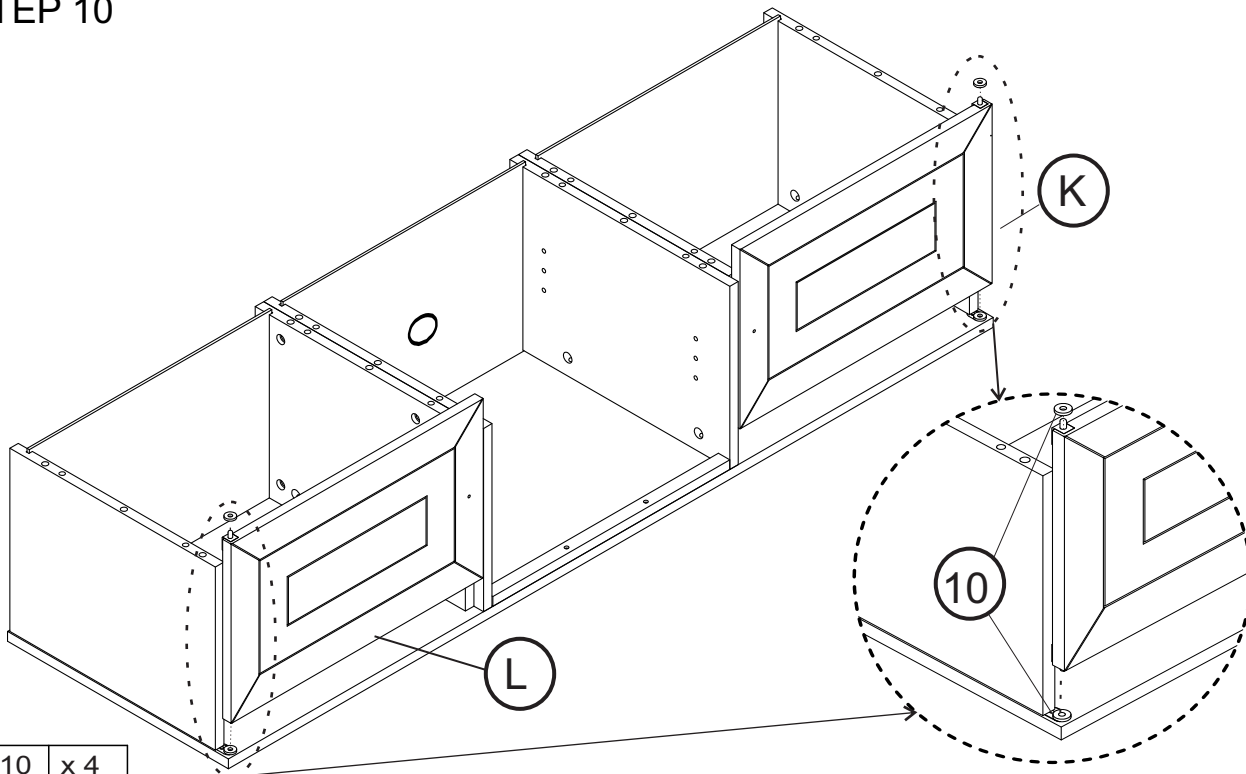


PLEASE BE CAREFUL DO NOT DAMAGE THE HOLE POSITION WHEN YOU USE POWERTOOLS!

STEP 9

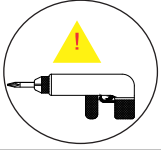


STEP 10



10	x 4
Ø16 x 1/4"	

Assembly Instructions

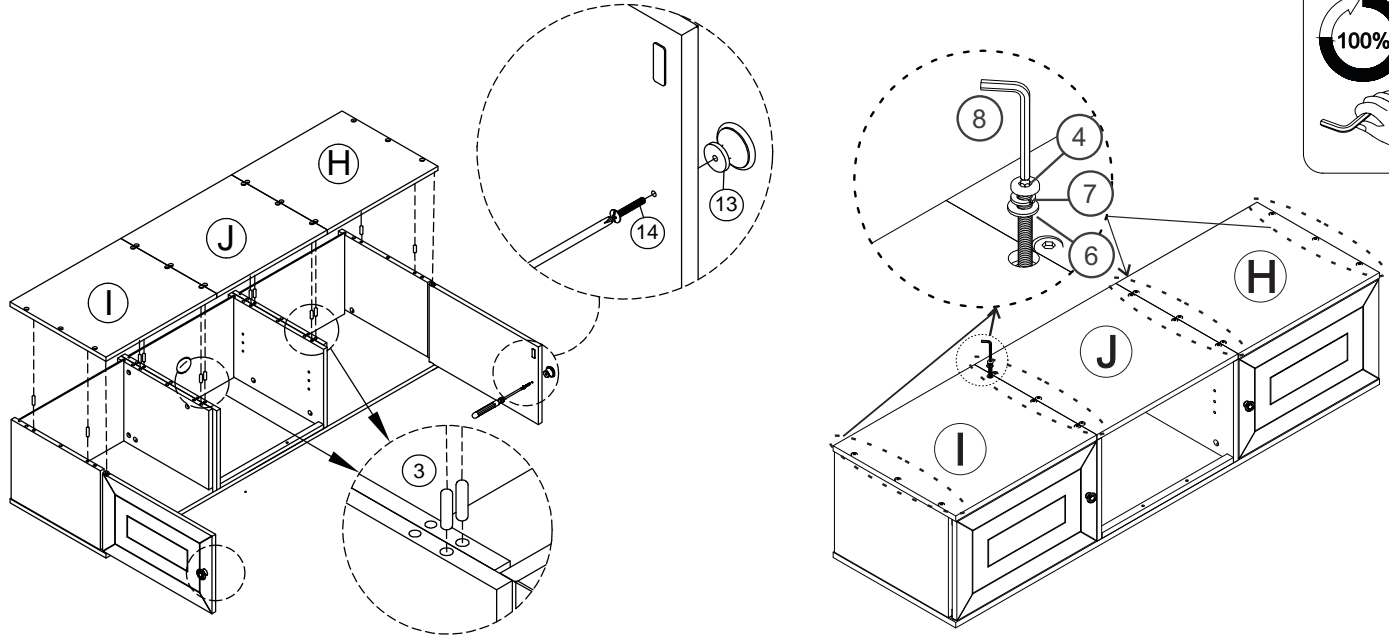


ASSEMBLY TOOLS REQUIRED (NOT INCLUDED)



PLEASE BE CAREFUL DO NOT DAMAGE THE HOLE POSITION WHEN YOU USE POWERTOOLS!

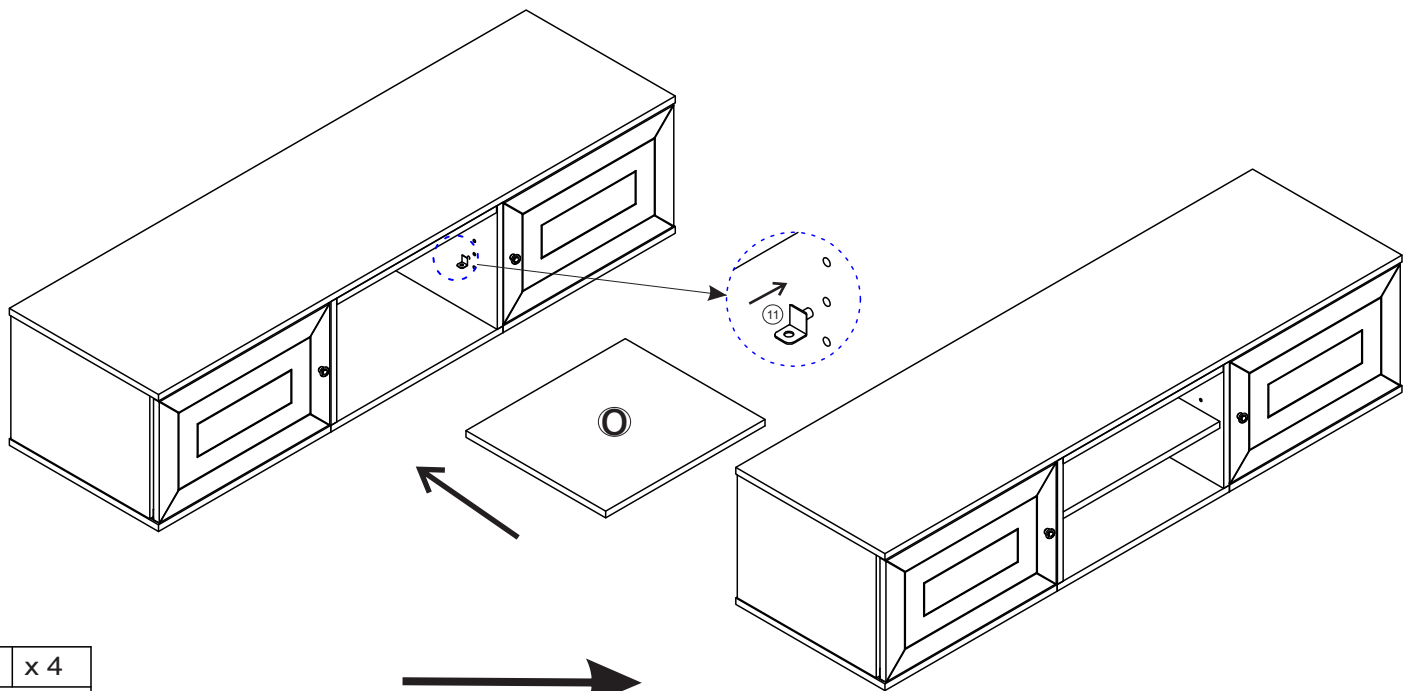
STEP 11



3	x12	4	x18	6	x18	7	x18	8	x1	13	x2	14	x2
Ø8 X 30		1/4" x 38		1/4" DIA		1/4" DIA		K4 x 100		Ø30 X 18		5/32" x 20	



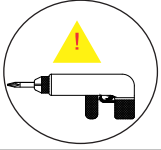
STEP 12



11	x 4
Ø6 x 15	



Assembly Instructions



ASSEMBLY TOOLS REQUIRED (NOT INCLUDED)



PLEASE BE CAREFUL DO NOT DAMAGE THE HOLE POSITION WHEN YOU USE POWERTOOLS!

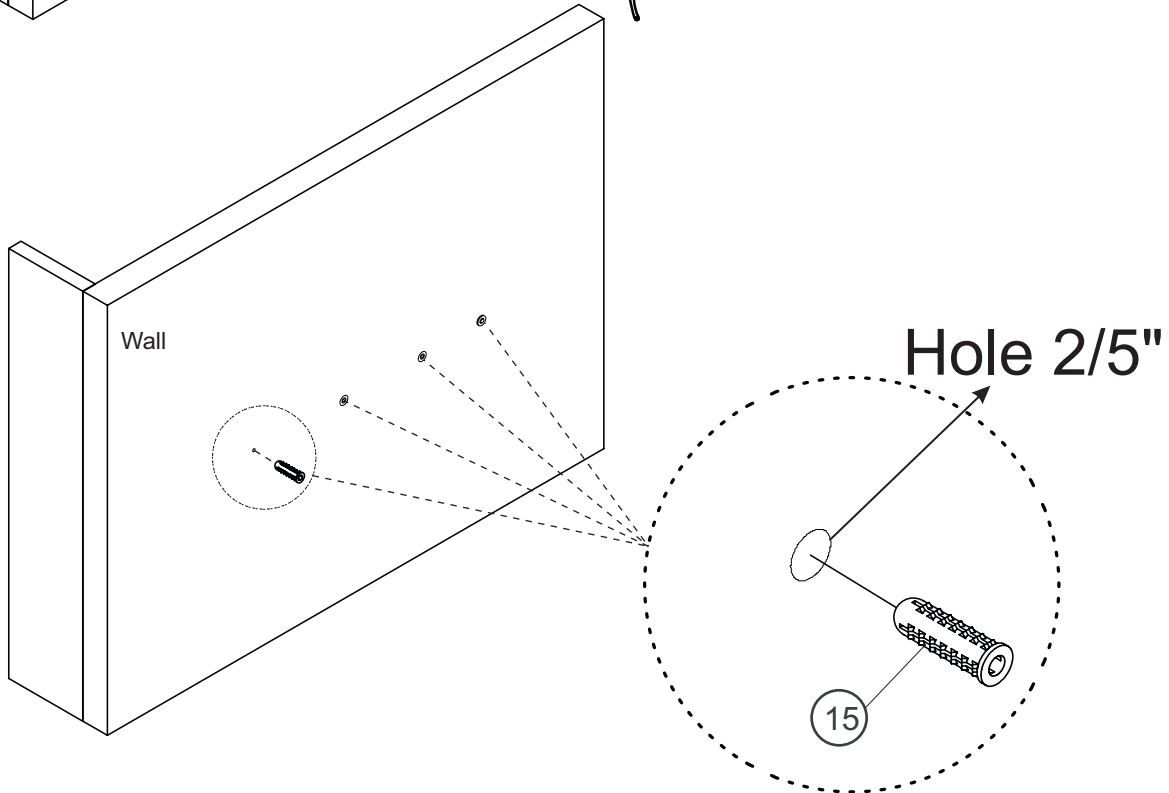
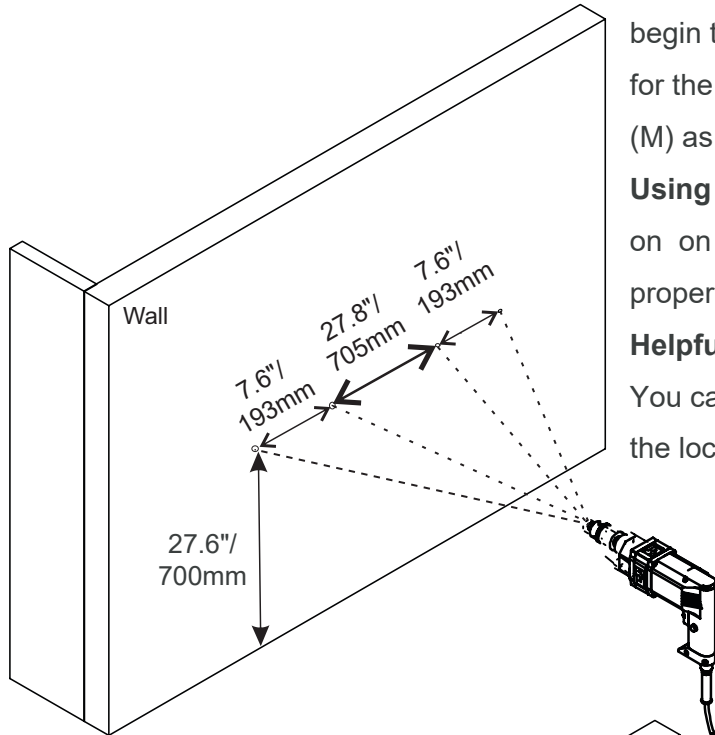
STEP 14 Wall Mounting

Choose your desired media unit location on your wall. Using the wall anchor spacing dimensions graphic below, begin to line up and mark where you will need to drill holes for the Wall Anchors (15) You can also use the Wall Cleat (M) as a guide for marking the hole locations.

Using a 2/5" drill bit, drill holes on the marks you made on your wall, then push the Wall Anchors (15) for the proper wall type, into the holes.

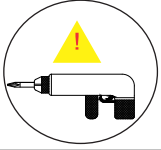
Helpful Tip:

You can use part M (Wall Cleat) as a guide when marking the locations to drill.



15	x 4
Ø10 x 60	

Assembly Instructions

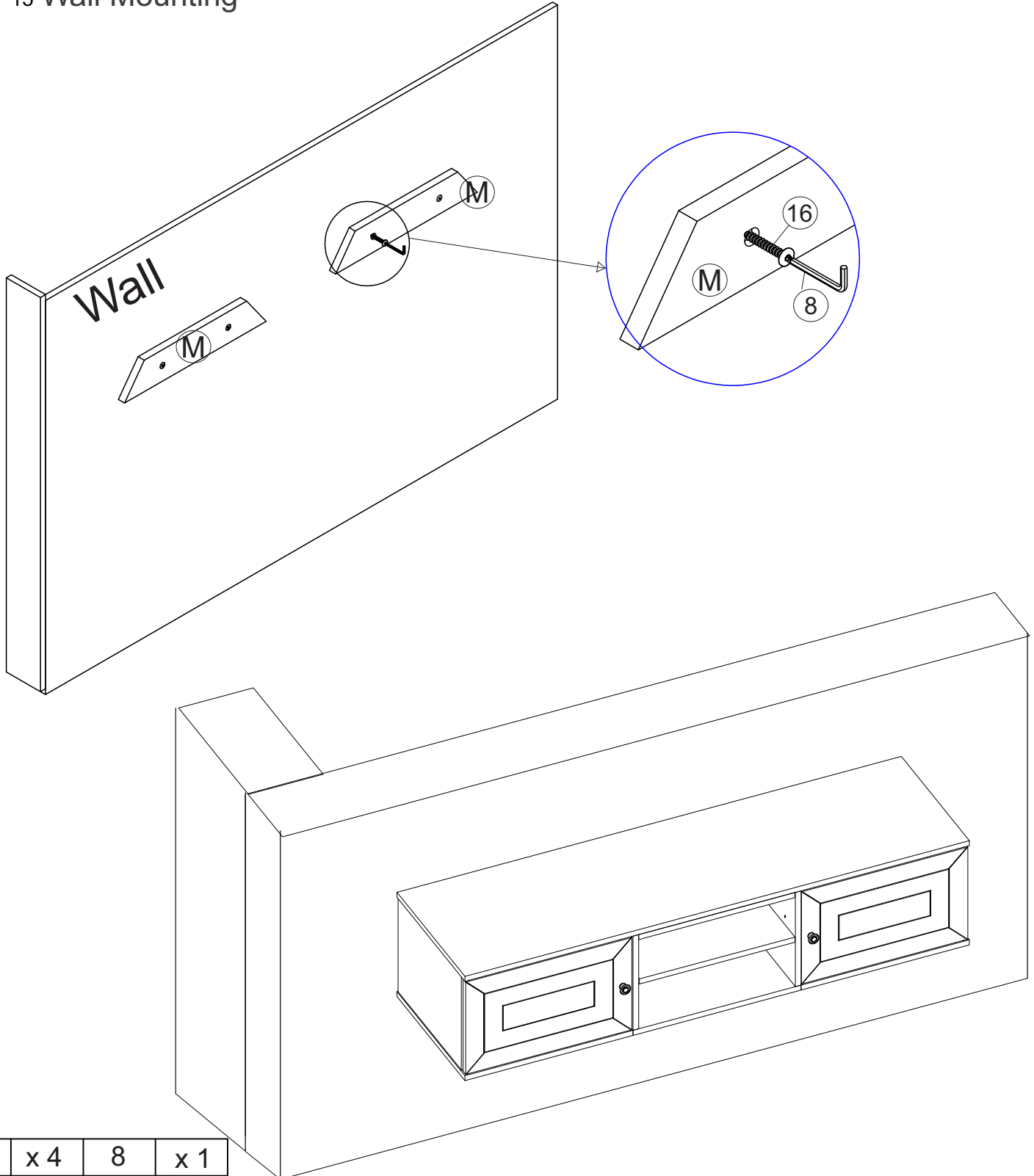




ASSEMBLY TOOLS REQUIRED (NOT INCLUDED)



PLEASE BE CAREFUL DO NOT DAMAGE THE HOLE POSITION WHEN YOU USE POWERTOOLS!

STEP 15 Wall Mounting



16	x 4	8	x 1
			
M6 x 50		K4 x 100	