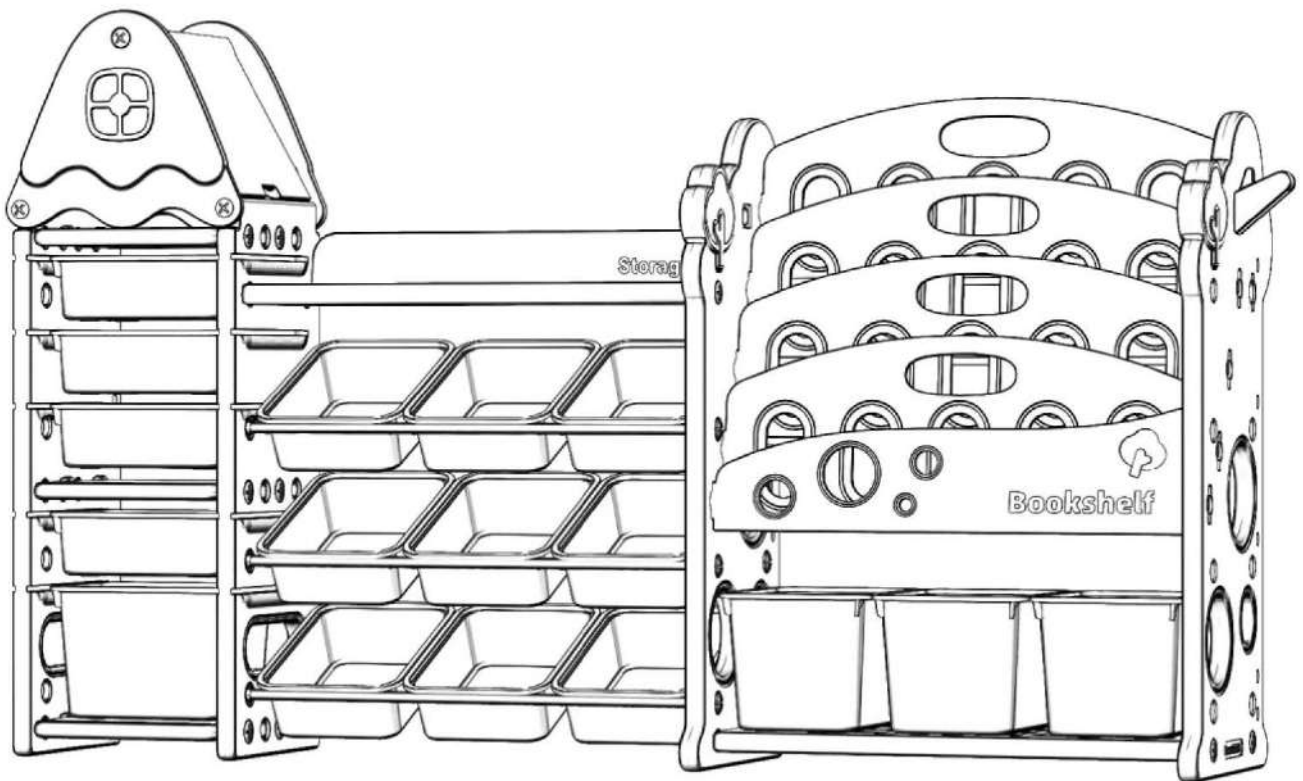


Toy Storage Organizer

USER MANUAL



READ AND SAVE THIS INSTRUCTION FOR FUTURE USE

SAFETY & WARNINGS

ADULT ASSEMBLY REQUIRED.

- This product is intended for indoor, home use only.
- As soon as components are unpacked, please remove and recycle all plastic bags from possible contact with children.
- Provide adult supervision at all times.
- Place on a flat, clean floor. Serious or fatal crushing injuries can occur from shelf tipping over.
- Keep away from fire or any source of ignition.
- Check the product before each use. Defective parts must be replaced immediately as they can impair the function and the safety of the product.
- Do not use the product if it is damaged or defective.
- After installing the product according to the instruction manual, ensure all screws are correctly installed and tightened and that all joints are secure.
- Do not allow children to insert head into bins or between shelves. Heads can become stuck in bins or between shelves.
- Do not let children climb into or on storage unit.
- Clean surfaces with damp cloth, air dry.
- Keep this instruction for future reference.

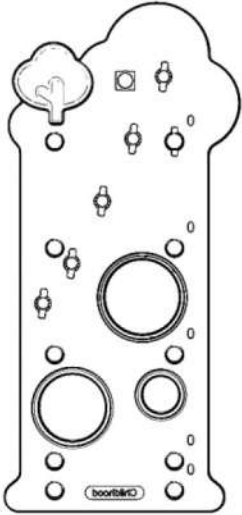
PLEASE DO NOT RETURN TO STORE



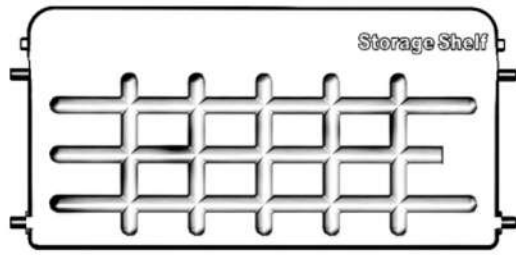
**Please do not return this product to the retailer!!
We are able to assist you in ANY way**

If you find that you have any trouble with assembly or missing or damaged parts please contact the seller.

PART LIST



Side Panel A x 2



Top/Bottom Shelf x 2



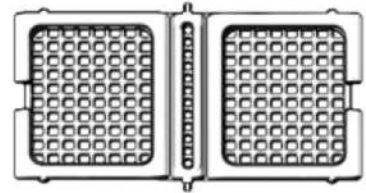
Window x 2



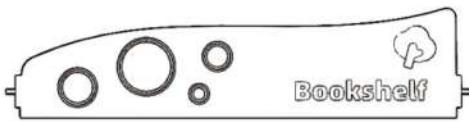
Hanger x 1



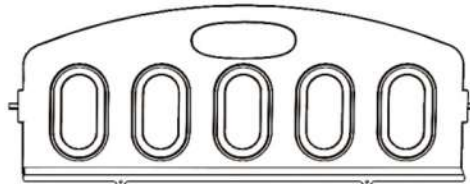
Support Bar x 6



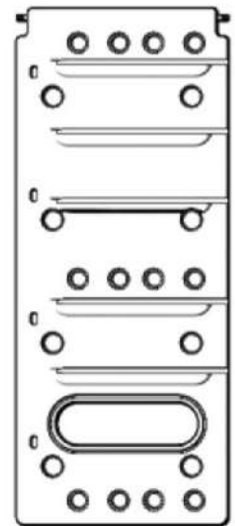
Roof x 1



Front Shelf x 1



Shelf with Back x 4



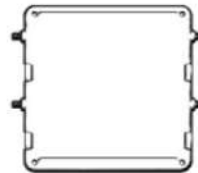
Side Panel B x 3



Large Storage Bin x 4



Small Storage Bin x 13



Treehouse Shelf x 3



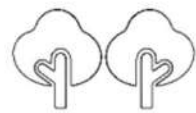
Plastic Wrench x 1



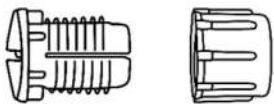
Metal Screwdriver x 1



Plastic Screwdriver x 1



Sticker x 2



Screw & Nut set A x 12



Screw B x 9



Screw C x 16

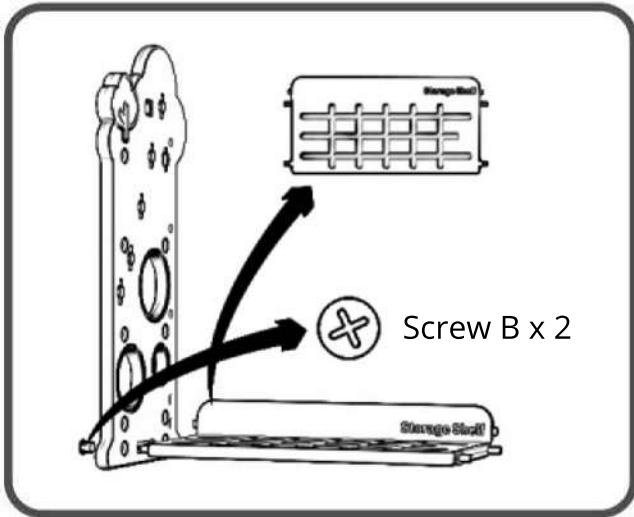


Screw D x 8



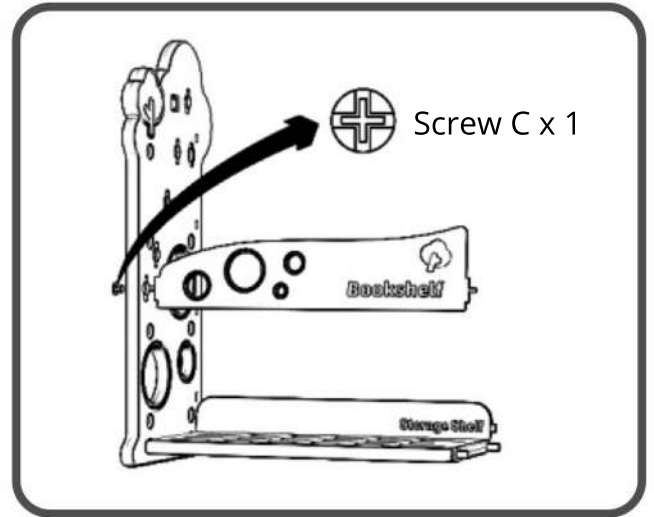
Screw E x 12

ASSEMBLY



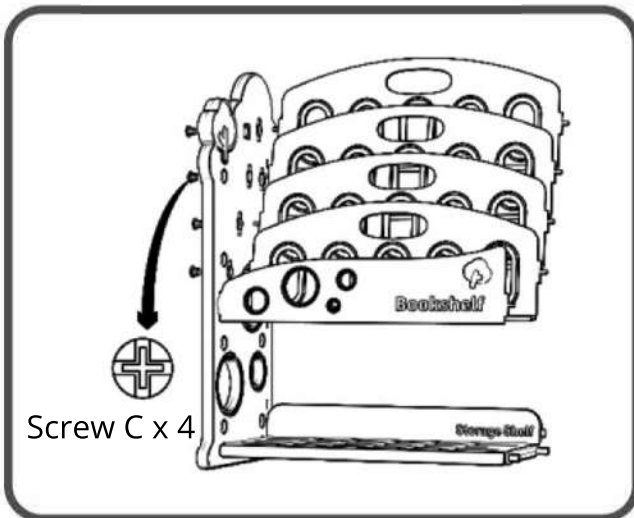
Step1

Attach the Bottom Shelf to Side Panel A, secure it at the bottom with 2pcs Screw B. Tighten with Plastic screwdriver.



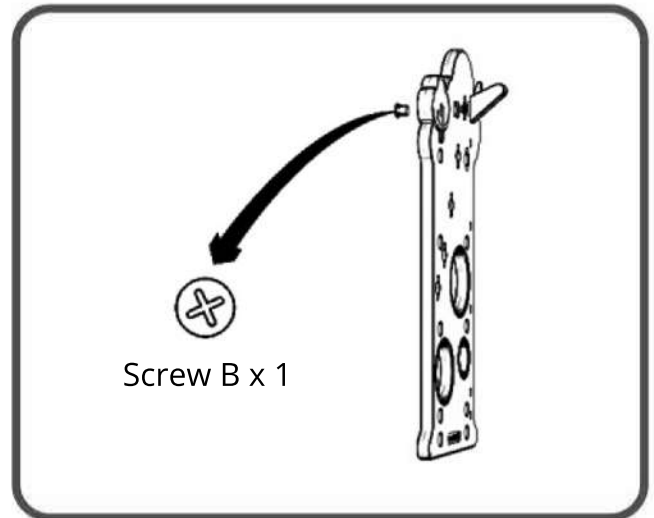
Step2

Attach the Front Shelf to Side Panel A, secure with 1pc Screw C.



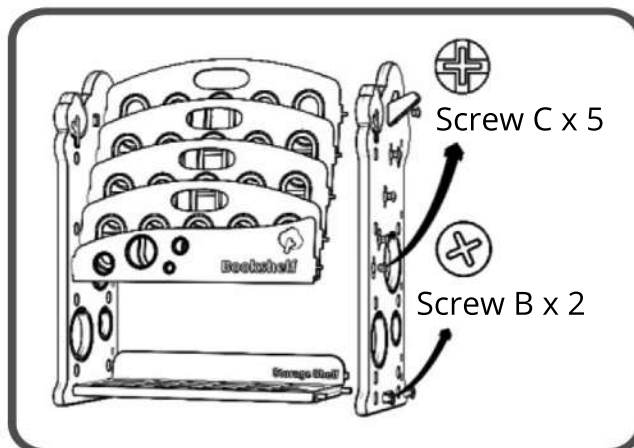
Step3

Install 4 Shelves with Back, secure with 4pcs Screw C.



Step4

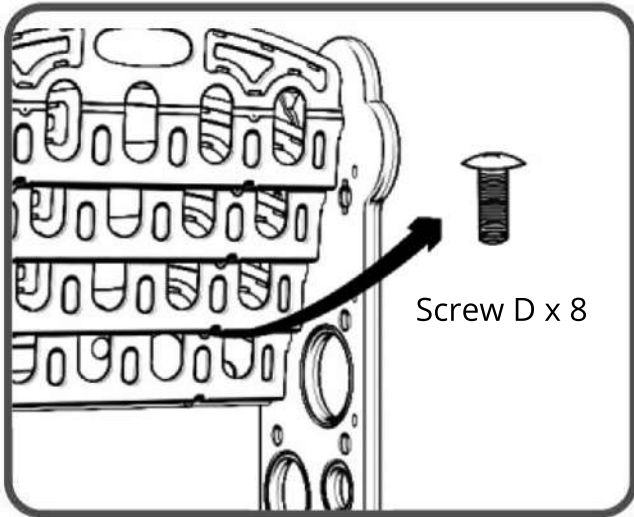
Install the Hanger, secure it to the second Side Panel A with 1pc Screw B.



Step5

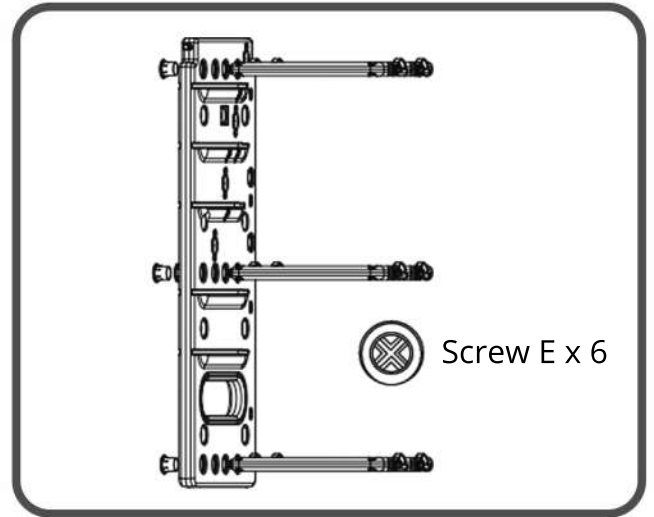
Attach the Side Panel A with Hanger, align the holes, secure the bottom with 2pcs Screw B, and the rest holes with 5pcs Screw C. Tighten with Plastic Screwdriver.

ASSEMBLY



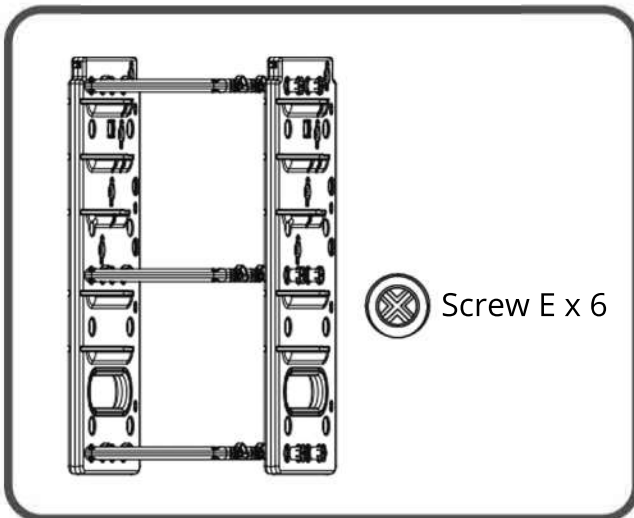
Step6

Secure the Shelf with Back on the back with 8pcs Screw D as shown.



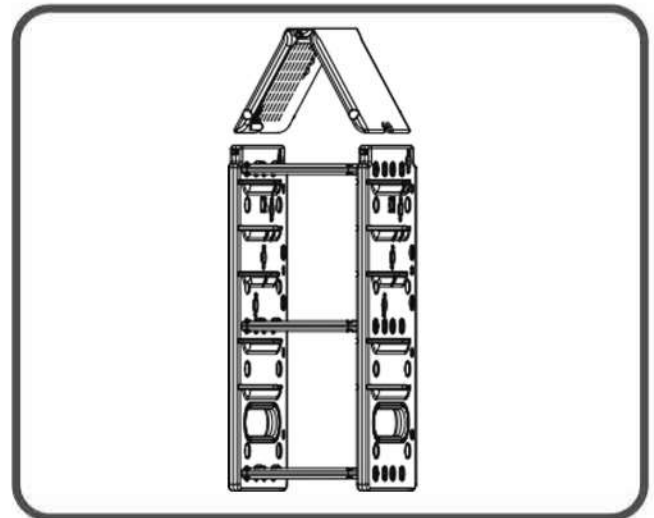
Step7

Install the 3 Treehouse Shelves into Side Panel B, secure with 6pcs Screw E in total.



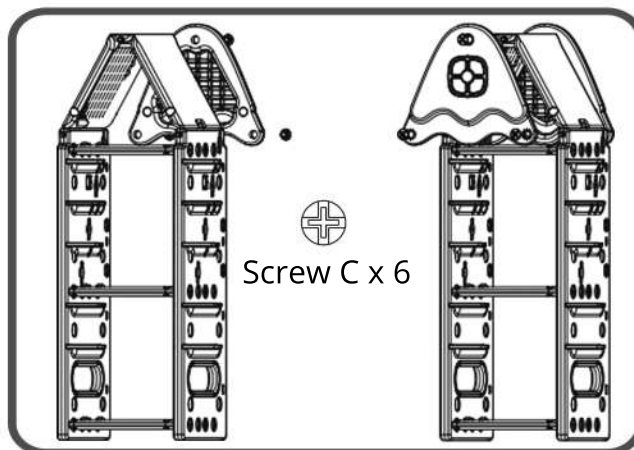
Step8

Attach the 2nd Side Panel B, secure this side with 6pcs Screw D, too.



Step9

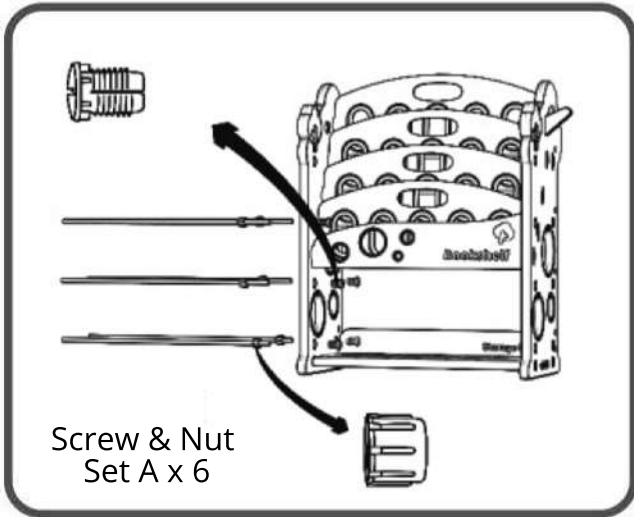
Bend the Treehouse Roof slightly, and put it on the rack.



Step10

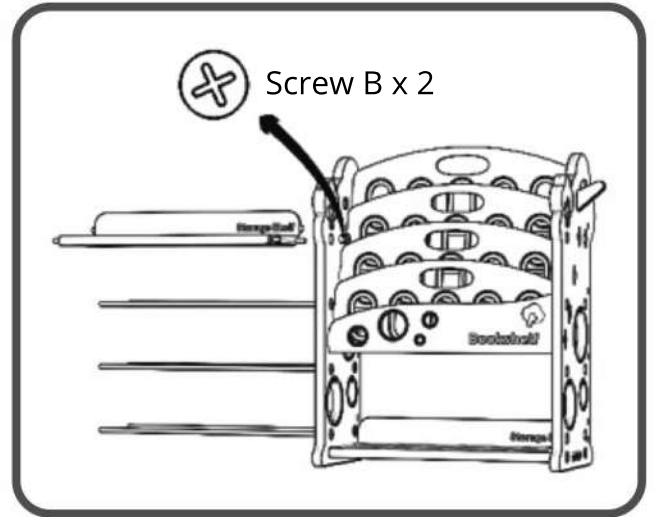
Attach the Window from one side, secure the bottom to the Side Panel B with 2pcs Screw C, and the top to the Roof with 1pc Screw C. Repeat the same to install the 2nd Window, secure with 3pcs Screw C.

ASSEMBLY



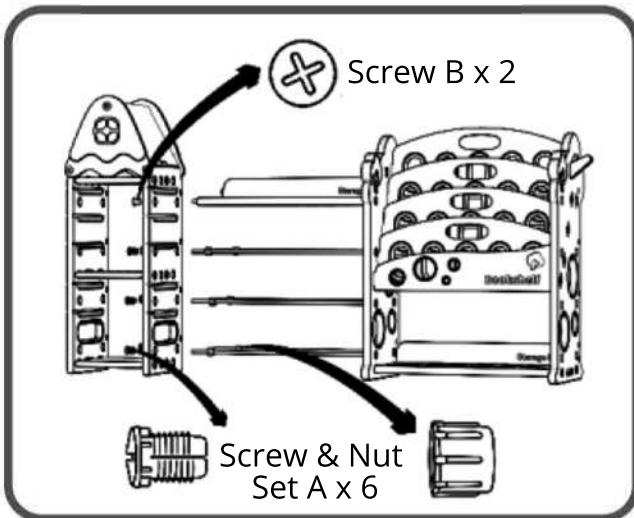
Step 11

Slide Nut A through the Support Bar first, then insert the Bar through the holes on Side Panel as shown, secure the other end with Screw A. Rotate the Nut to tighten the set.



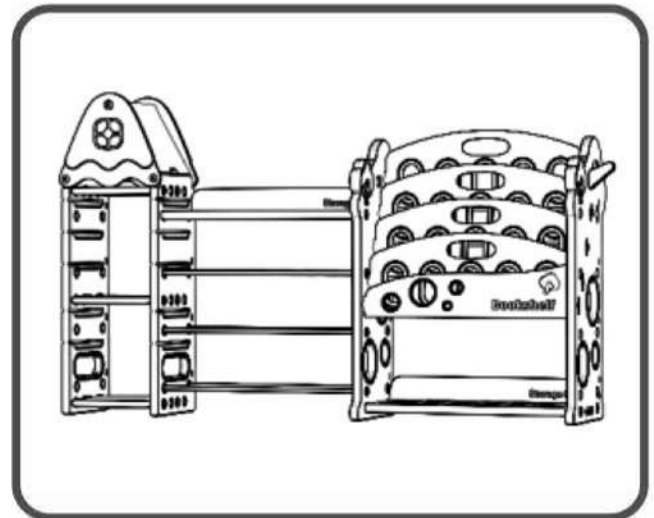
Step 12

Install the Top Shelf, secure it to the Side Panel with 2 pcs Screw B. Tighten with Plastic Screwdriver.



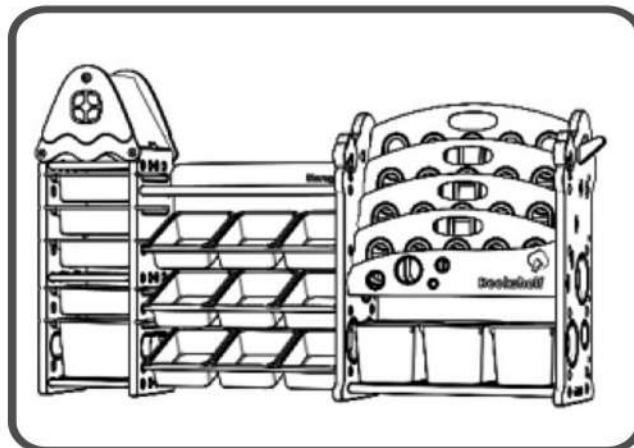
Step 13

Repeat the same to connect the Support Bars and Top Shelf to the Rack with Roof, secure with 6 sets of Screw & Nut A, and 2 pcs Screw B.



Step 14

Check and make sure all screws are tightened securely.



Step 15

Put stickers on the Side Panel. Insert the Storage Bings into the rack.