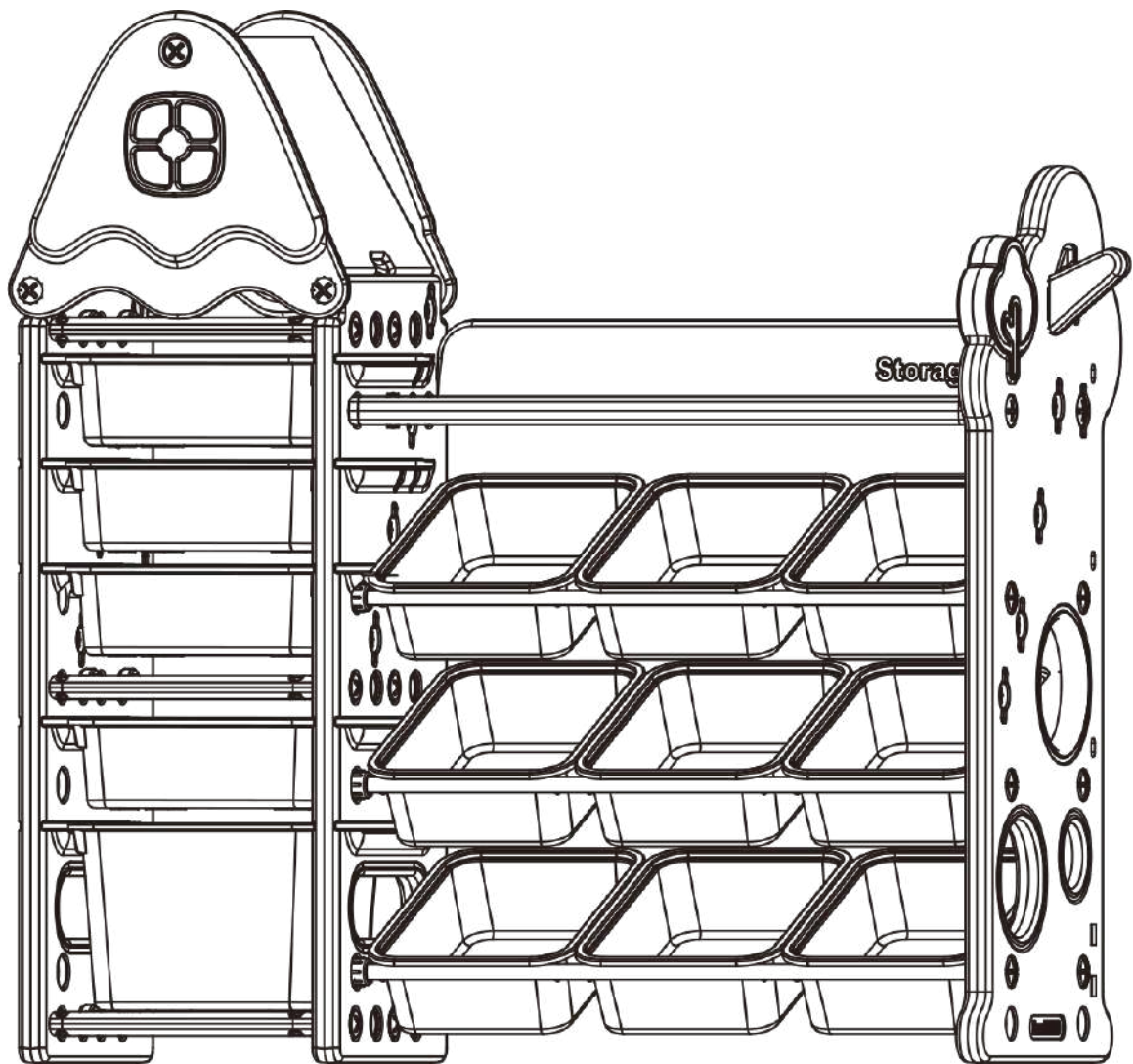


# Toy Storage Organizer

## USER MANUAL



READ AND SAVE THIS INSTRUCTION FOR FUTURE USE

---

# SAFETY & WARNINGS

## ADULT ASSEMBLY REQUIRED.

- This product is intended for indoor, home use only.
- As soon as components are unpacked, please remove and recycle all plastic bags from possible contact with children.
- Provide adult supervision at all times.
- Place on a flat, clean floor. Serious or fatal crushing injuries can occur from shelf tipping over.
- Keep away from fire or any source of ignition.
- Check the product before each use. Defective parts must be replaced immediately as they can impair the function and the safety of the product.
- Do not use the product if it is damaged or defective.
- After installing the product according to the instruction manual, ensure all screws are correctly installed and tightened and that all joints are secure.
- Do not allow children to insert head into bins or between shelves. Heads can become stuck in bins or between shelves.
- Do not let children climb into or on storage unit.
- Clean surfaces with damp cloth, air dry.
- Keep this instruction for future reference.

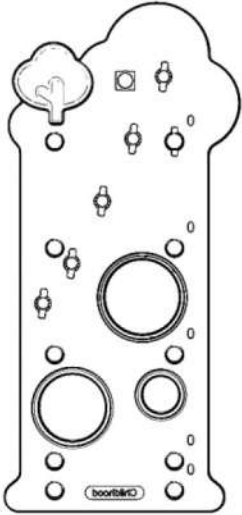
**PLEASE DO NOT RETURN TO STORE**



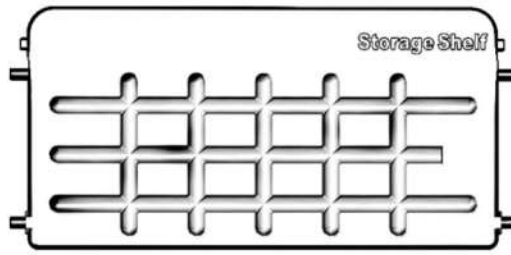
**Please do not return this product to the retailer!!  
We are able to assist you in ANY way**

If you find that you have any trouble with assembly or missing or damaged parts please contact the seller.

# PART LIST



Side Panel A x 1



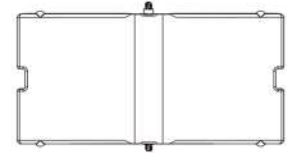
Top Shelf x 1



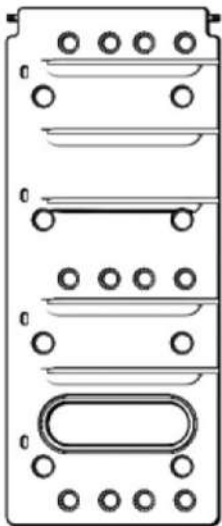
Window x 2



Support Bar x 6



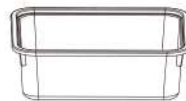
Roof x 1



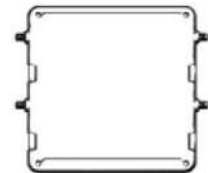
Side Panel B x 2



Large Storage Bin x 1



Small Storage Bin x 13



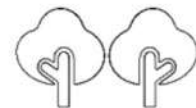
Treehouse Shelf x 3



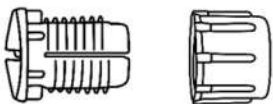
Hanger x 1



Plastic Screwdriver x 1



Sticker x 1



Screw & Nut set A x 12



Screw B x 5

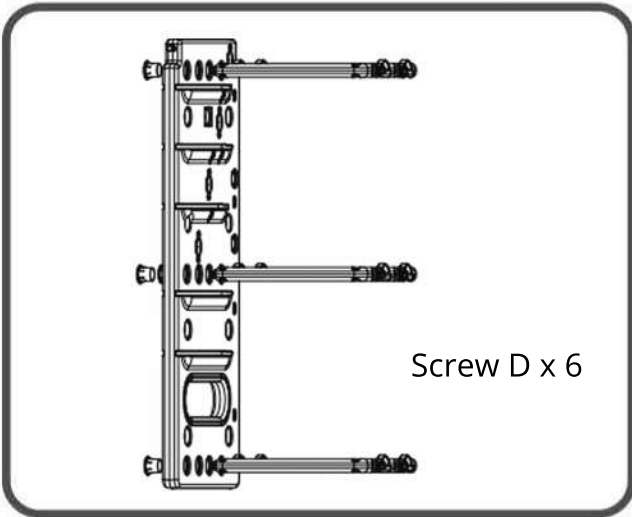


Screw C x 6



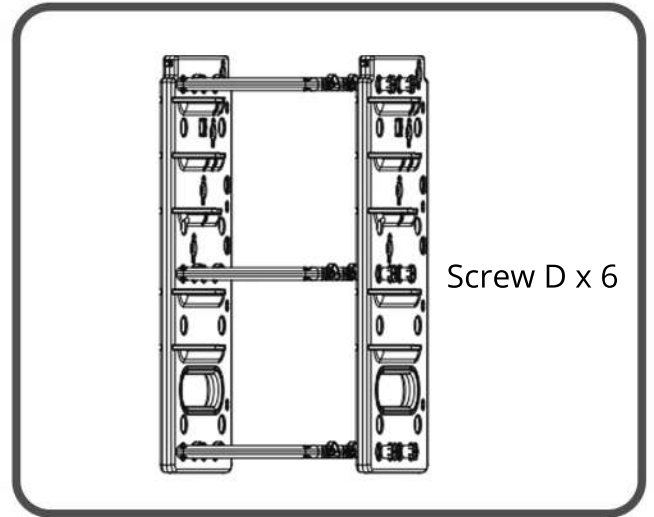
Screw D x 12

# ASSEMBLY



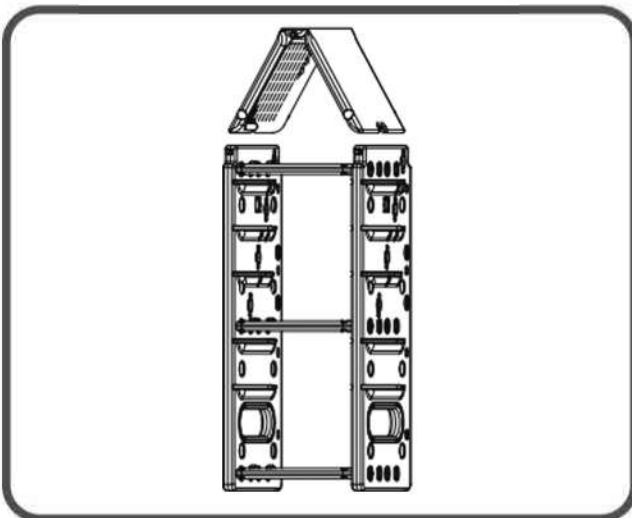
## Step1

Install the 3 Treehouse Shelves into Side Panel B, secure with 6pcs Screw D in total.



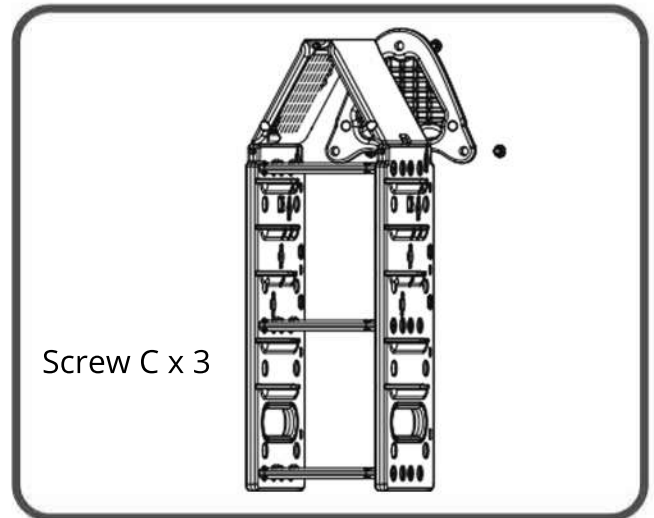
## Step2

Attach the 2nd Side Panel B, secure this side with 6pcs Screw D, too.



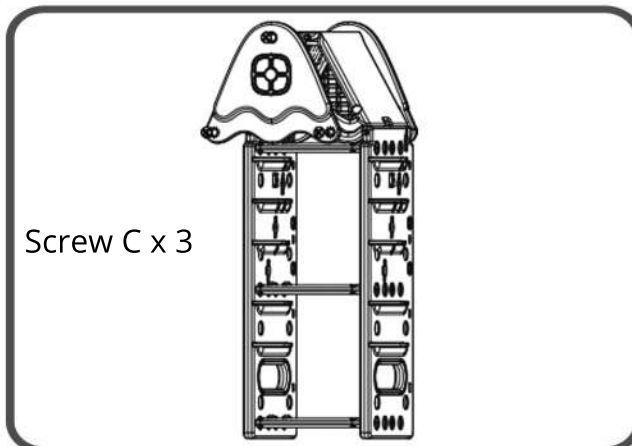
## Step3

Bend the Treehouse Roof slightly, and put it on the rack.



## Step4

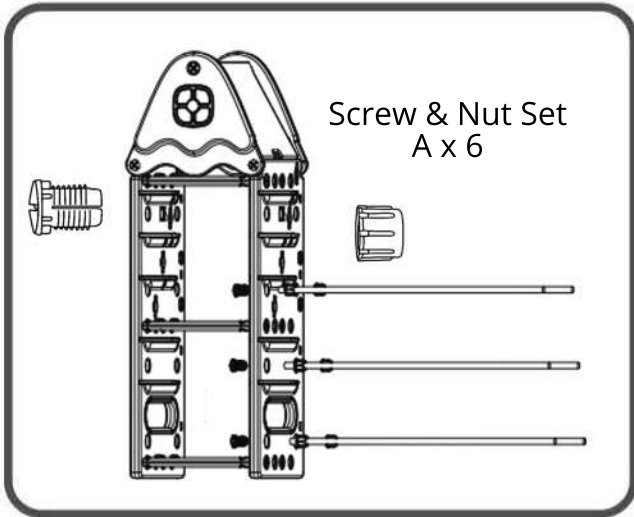
Attach the Window from one side, secure the bottom to the Side Panel B with 2pcs Screw C, and the top to the Roof with 1pc Screw C.



## Step5

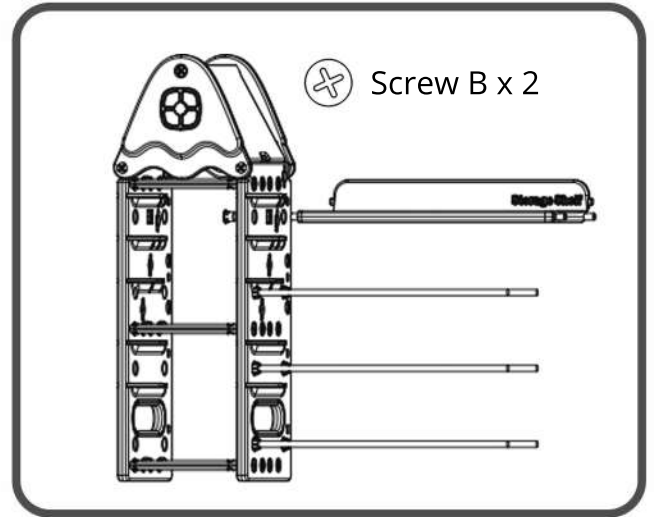
Repeat the same to secure the 2nd Window with 3pcs Screw C.

# ASSEMBLY



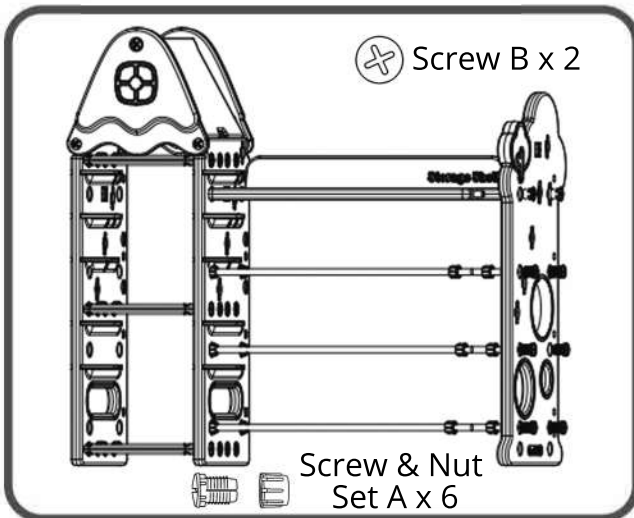
## Step6

Slide Nut A through the Support Bar first, then insert the Bar through the holes on Side Panel as shown, secure the other end with Screw A. Rotate the Nut to tighten the set.



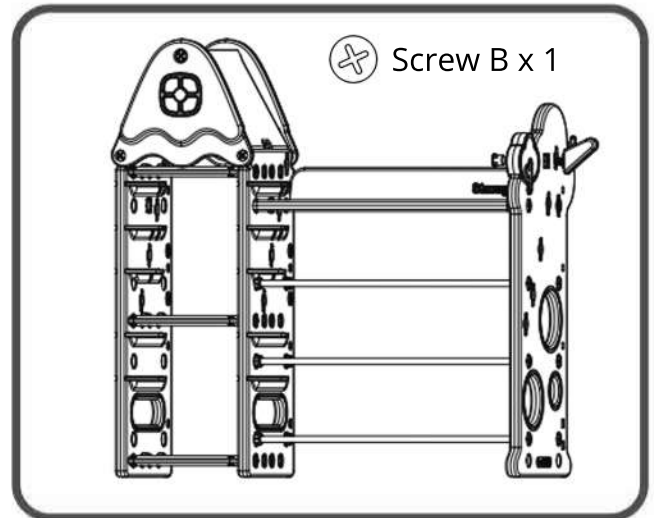
## Step7

Install the Top Shelf, secure it to the Side Panel with 2pcs Screw B. Tighten with Plastic Screwdriver.



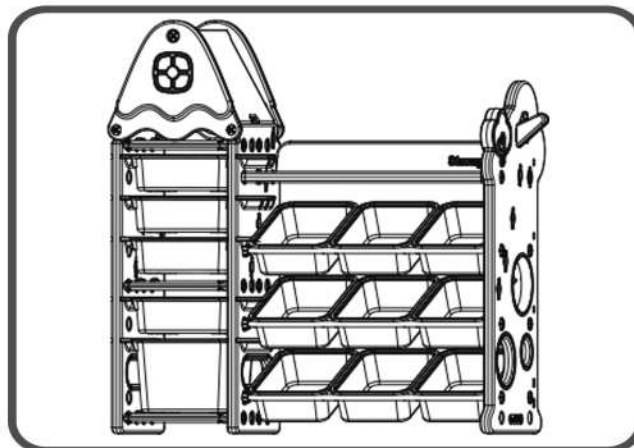
## Step8

Attach Side Panel A, secure the Support Bars with 6 sets of Screw & Nut A, and the Top Shelf with 2pcs Screw B.



## Step9

Install the Hanger, secure it to the Side Panel A with 1pc Screw B.



## Step10

Put stickers on the Side Panel. Insert the Storage Bins into the rack.