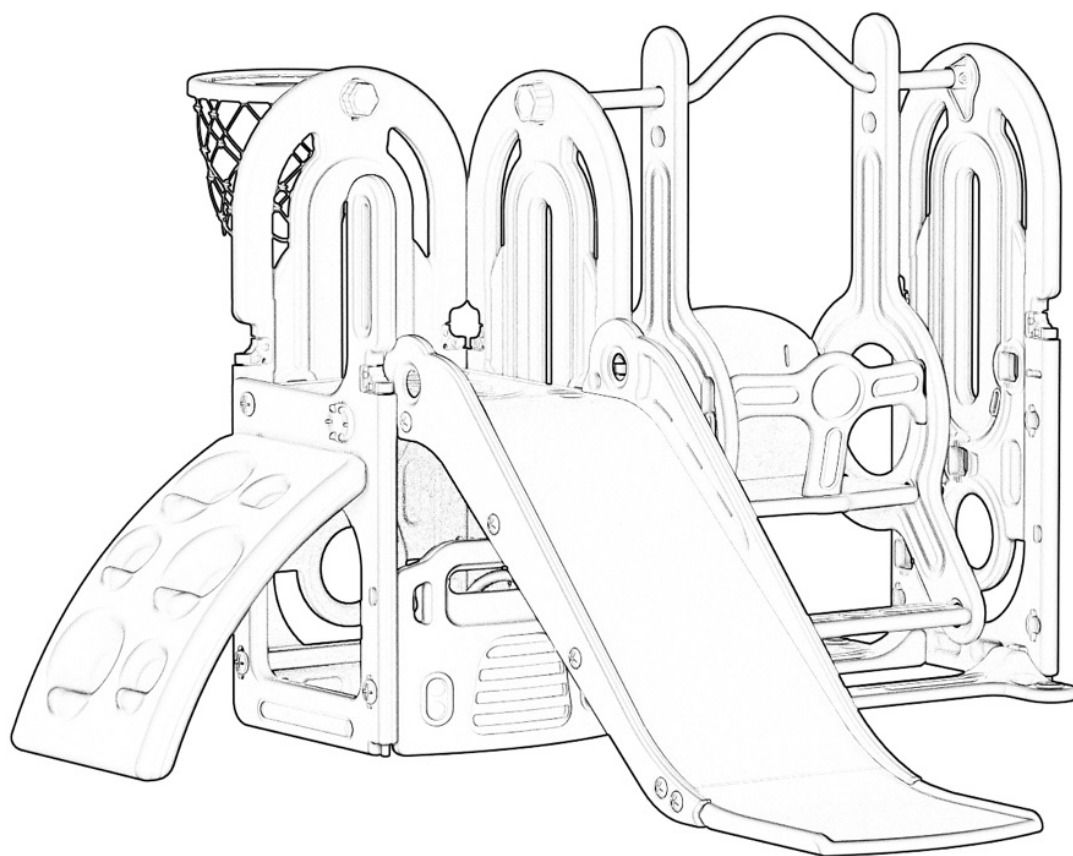


# Slide & Swing Playset

## USER MANUAL



READ AND SAVE THIS INSTRUCTION FOR FUTURE USE

---

# SAFETY & WARNINGS

## ADULT ASSEMBLY REQUIRED.

- Keep these instructions for future reference.
- This product is intended for indoor, outdoor, family, domestic use only.
- Place this product on level ground and at least 6.6' away from a fence, building, overhead branches, laundry lines or electrical wires. This product should be placed away from furniture that could cause injury if a fall occurs.
- Ensure the installation area is ventilated.
- Do not use the product if it is damaged or defective. If it is damaged or defective, please contact a qualified technician.
- Check that all parts are assembled well and are stable before use. Defective parts must be changed immediately as they can impair the function and the safety of the product.
- When temperatures fall below freezing (0°C/32°F), outdoor use of this product is not recommended. In extreme cold, plastic materials lose resilience and may become brittle and crack with impact. Store product in a warmer, protected place.
- Keep away from fire or any source of ignition.
- Packing materials are not toys, keep them away from children.
- Instruct children on proper use of this product: only after properly assembled and installed, and not in a manner other than intended.
- Dress children appropriately: do not allow children to wear loose-fitting clothing including ponchos, scarves and garments with drawstrings. Well-fitting shoes must be worn at all times.
- Avoid placing equipment in direct sunlight as hot surfaces could cause serious burns.
- Provide adult supervision at all times.

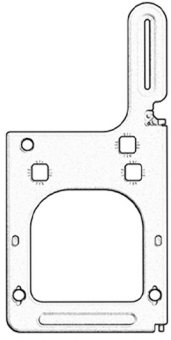
**PLEASE DO NOT RETURN TO STORE**



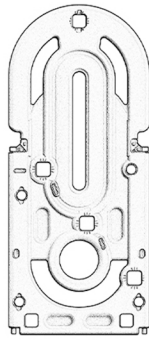
**Please do not return this product to the retailer!!  
We are able to assist you in ANY way**

If you find that you have any trouble with assembly or missing or damaged parts please contact the seller.

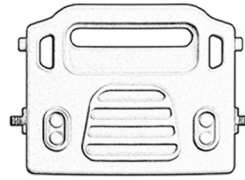
# PART LIST



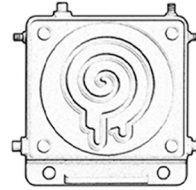
Side Panel A x 1



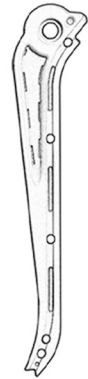
Side Panel B x 3



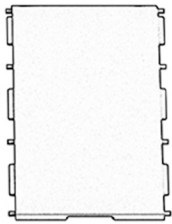
Front Panel x 1



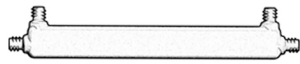
Platform x 1



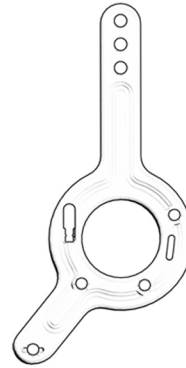
Slide Handrail x 2



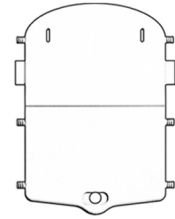
Slide x 1



Support Beam x 1



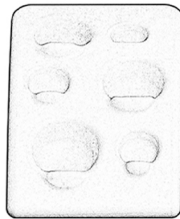
Swing Arm x 2



Swing Seat x 1



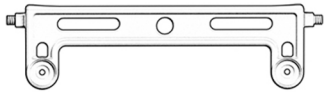
Slide Extension x 1



Climber x 1



Seat Armrest x 1



Swing Base x 2



Swing Bar x 1



Swing Pedal x 1



Screw A x 9



Screw B x 2



Screw C x 10



Screw D x 20



Screw E x 3



Screw F x 2



Suction Cup x 6



Clasp H x 4



Cap x 1

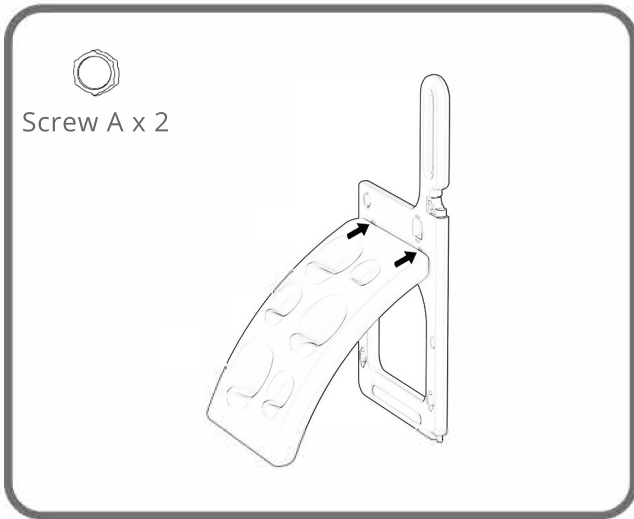


Basketball Ring x 1



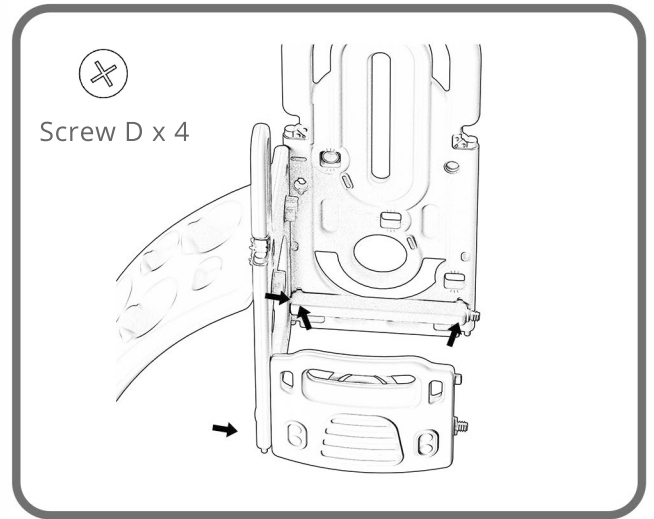
Basketball Net x 1

# ASSEMBLY



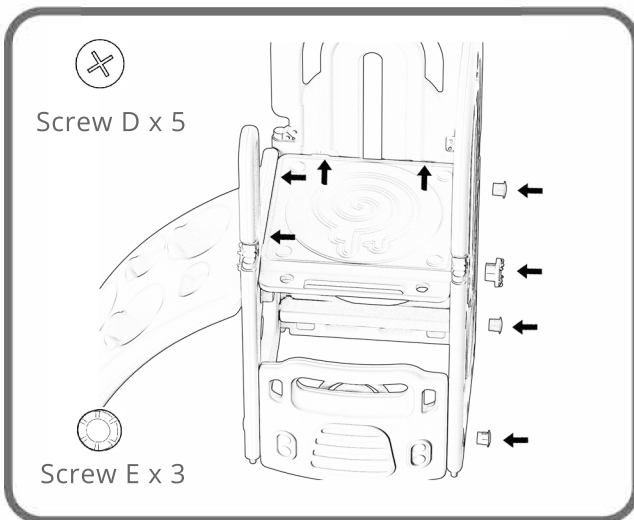
## Step1

Connect the Climber to Side Panel A, secure with 2 Screw A.



## Step2

Attach the Front Panel to Side Panel A as shown, secure with 1 Screw D. Then connect 2 Side Panel B and Support Beam in the back, secure with 3 Screw D.



## Step3

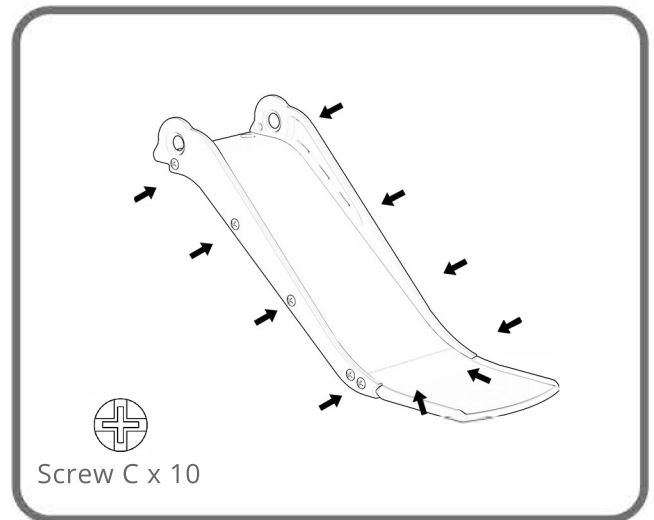
Attach the Platform to the Side Panel in the direction as shown, secure the Platform on 3 sides, with 1 Screw D and 1 Screw E on each side.

Then secure the Right Side Panel at the bottom with 2 Screw D.

## Step5

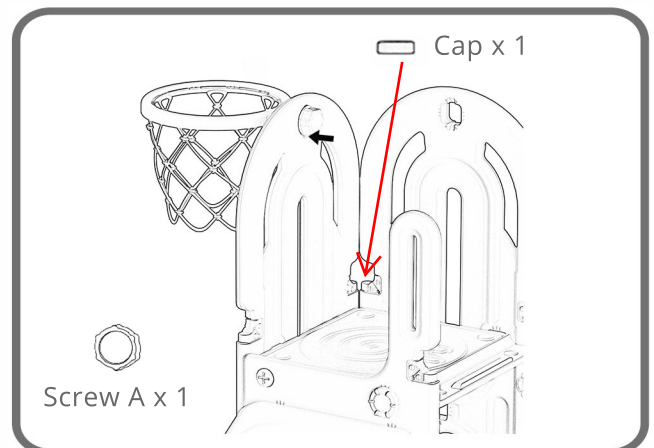
Put the Basketball net on the Rim, then insert the Basketball Set to Side Panel B, secure with Screw A.

Cover the corner formed by 2 Side Panel B with Cap for safety.

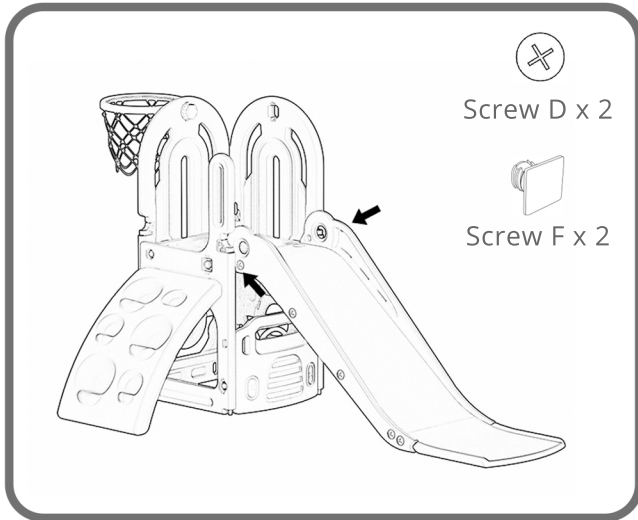


## Step4

Connect the Slide and Slide Extension, then attach the handrails, secure with 5 Screw C on each side.

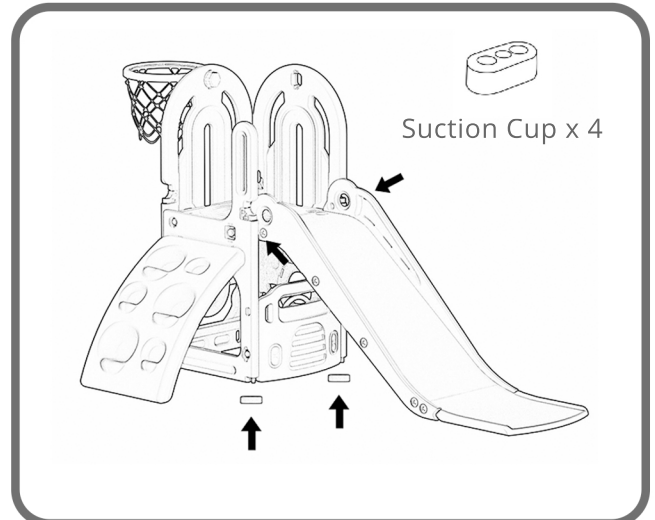


# ASSEMBLY



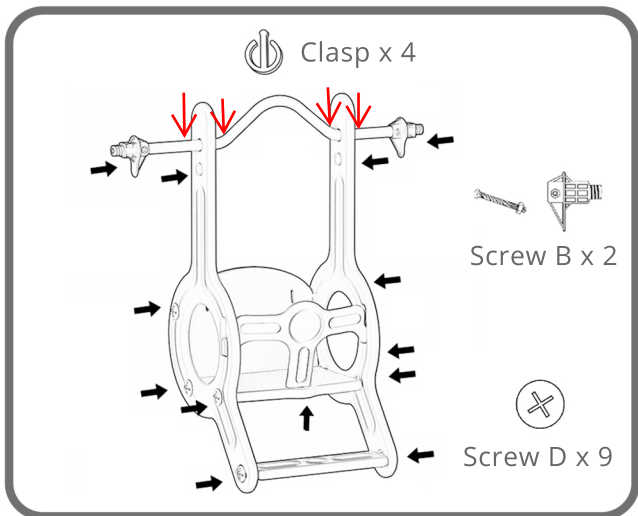
## Step 6

Connect the Slide section to the platform, secure with 2 Screw D and 2 Screw F.



## Step 7

Install the 4 Suction Cups at the bottom corners to fix the playset firmly on the surface.



## Step 8

Slide the 2 Swing Arms through Swing Bar, then connect Swing Seat, Seat Armrest and Pedal together, secure with 9 Screw D.

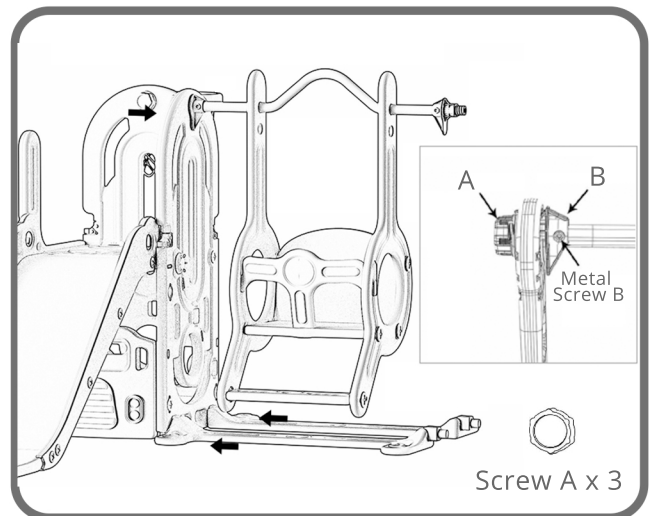
Insert 4pcs Clasps into the holes on bar to fix the swing arm in place.

Insert Screw B on both ends of the Swing Bar.

## Step 10

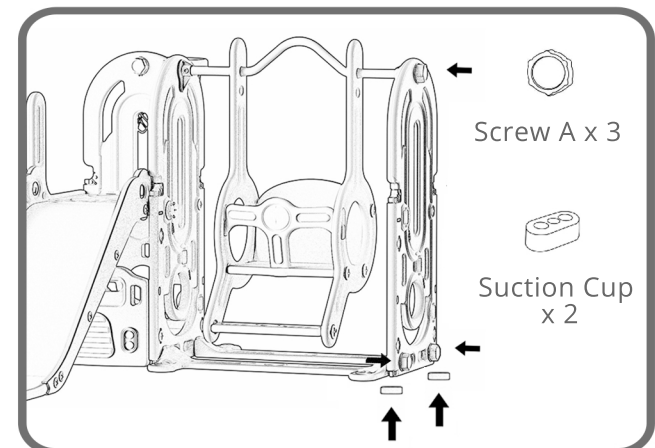
Attach the last Side Panel B, secure with 3 Screw A.

Add 2 Sunction Cups at the bottom of Side Panel B for better stability.



## Step 9

Insert the Swing Base into Slide Panel B, secure the bottom with 2 Screw A. Secure the Swing Bar to Side Panel B with 1 Screw A.





## GENERAL SAFETY INSTRUCTIONS

This product is intended for indoor, outdoor, home, domestic use only. It is not suitable for commercial or medical use.

The assembly of the product must be done carefully and by an able-bodied adult. If in any doubt, ask a technically qualified person.

Do not use the product if it is damaged or defective. If it is damaged or defective, please contact a qualified technician.

Check the product before each use. Defective parts must be changed immediately as they can impair the function and the safety of the product.

Use the product only on even and non-slip surfaces. Keep sufficient space around for safety.

Beware that when using tools or doing technical work, there is always a risk of injuries. Assemble the product with care.

After installing the product according to the instruction manual, ensure all screws, bolts and nuts are correctly installed and tightened and that all joints are secure.

Do not make alterations to the product. Only use original spare parts. Only qualified technicians should carry out repairs - improper repairs can lead to danger for the user. Use this product only as described in this manual.

## IMPORTANT

The owner's manual contains safety, assembly, use and maintenance instructions. The product must be assembled by an adult who has read and understood these instructions. Keep the packaging away from children and dispose of all packaging before use.

## OPERATION INSTRUCTIONS

Provide adult supervision at all times.

The disassembled product contains small parts which pose a choking hazard to children under 3.

Dress children appropriately, including wearing well-fitting shoes that fully protect feet.

Instruct children:

- to sit in the center of the swings with their full weight on the seats,
- to avoid swinging empty seats,
- to slide feet first; one child down slide at a time,
- to remove articles, before playing on equipment, that create hazards when they get tangled and caught.
- not to walk close to, in front of, behind, or between moving items,
- not to get off equipment while it is in motion.

Never allow children to use the equipment in a manner other than intended. Do not swing while standing or slide down head first.