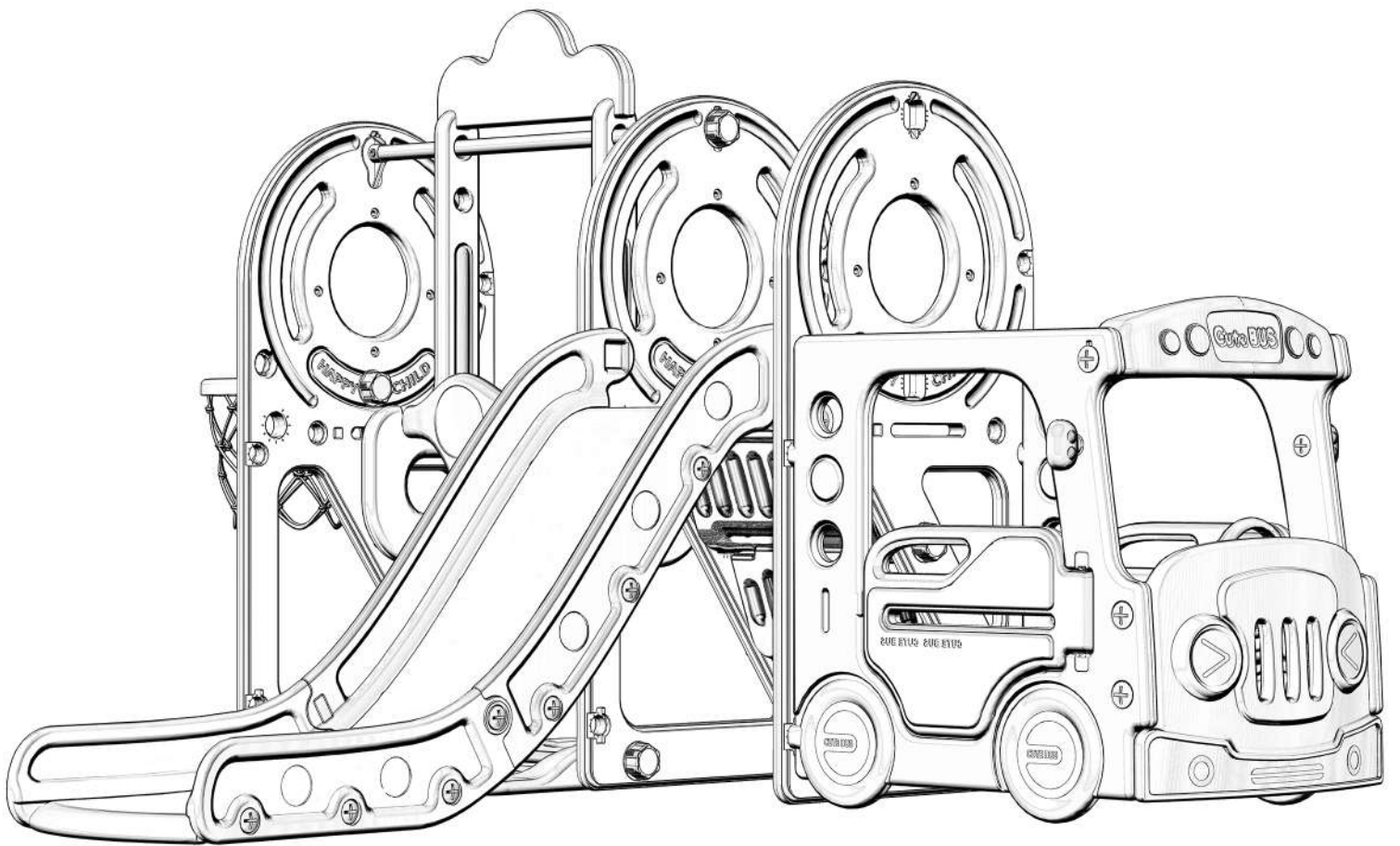


Bus Slide with Swing Set



READ AND SAVE THIS INSTRUCTION FOR FUTURE USE

SAFETY & WARNINGS

ADULT ASSEMBLY REQUIRED.

- Keep these instructions for future reference.
- This product is intended for indoor, outdoor, family, domestic use only.
- Place this product on level ground and at least 6.6' away from a fence, building, overhead branches, laundry lines or electrical wires. This product should be placed away from furniture that could cause injury if a fall occurs.
- Ensure the installation area is ventilated.
- Do not use the product if it is damaged or defective. If it is damaged or defective, please contact a qualified technician.
- Check that all parts are assembled well and are stable before use. Defective parts must be changed immediately as they can impair the function and the safety of the product.
- When temperatures fall below freezing (0°C/32°F), outdoor use of this product is not recommended. In extreme cold, plastic materials lose resilience and may become brittle and crack with impact. Store product in a warmer, protected place.
- Keep away from fire or any source of ignition.
- Packing materials are not toys, keep them away from children.
- Instruct children on proper use of this product: only after properly assembled and installed, and not in a manner other than intended.
- Dress children appropriately: do not allow children to wear loose-fitting clothing including ponchos, scarves and garments with drawstrings. Well-fitting shoes must be worn at all times.
- Avoid placing equipment in direct sunlight as hot surfaces could cause serious burns.
- Provide adult supervision at all times.

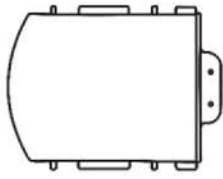
PLEASE DO NOT RETURN TO STORE



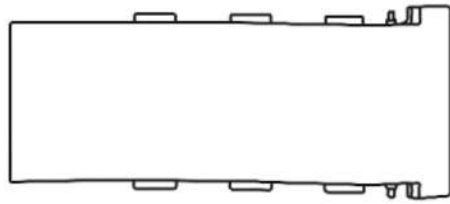
**Please do not return this product to the retailer!!
We are able to assist you in ANY way**

If you find that you have any trouble with assembly or missing or damaged parts please contact the seller.

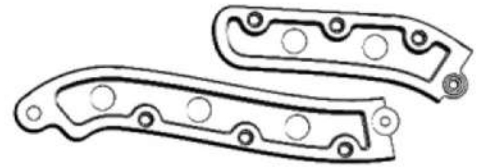
PART LIST



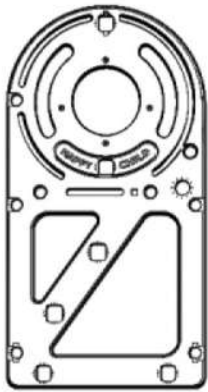
Buffer Board x 1



Slide x 1



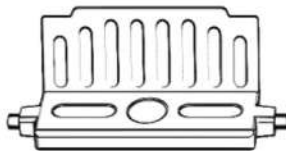
Slide Handrail x 2



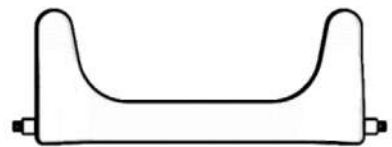
Side Panel x 3



Tread x 1



Stair x 2



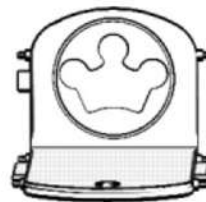
Swing Base x 2



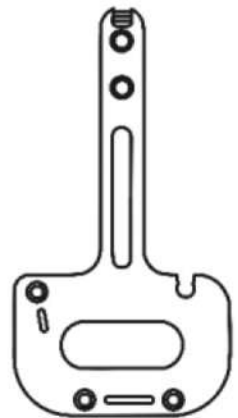
Swing Beam x 1



Armrest x 1



Swing Seat x 1



Swing Arm x 2



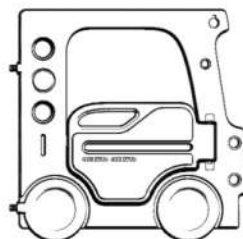
Swing Bar x 1



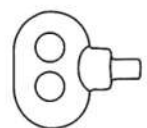
Baffle Plate x 1



Bus Front x 1

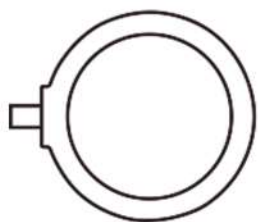


Bus Side Panel x 2

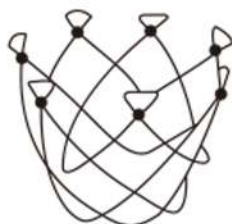


Rear-view Mirror x 2

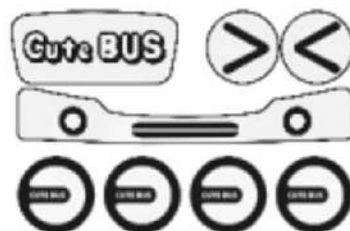
PART LIST



Basketball Ring x 1



Basketball Net x 1



Stickers x 1



Plastic Screwdriver x 1



Metal Screwdriver x 1



Metal Screw A x 1



Screw B x 22



Screw C x 2



Screw D x 14



Screw E x 2



Screw F x 2



Nut G x 11



Nut H x 1



Screw I x 2

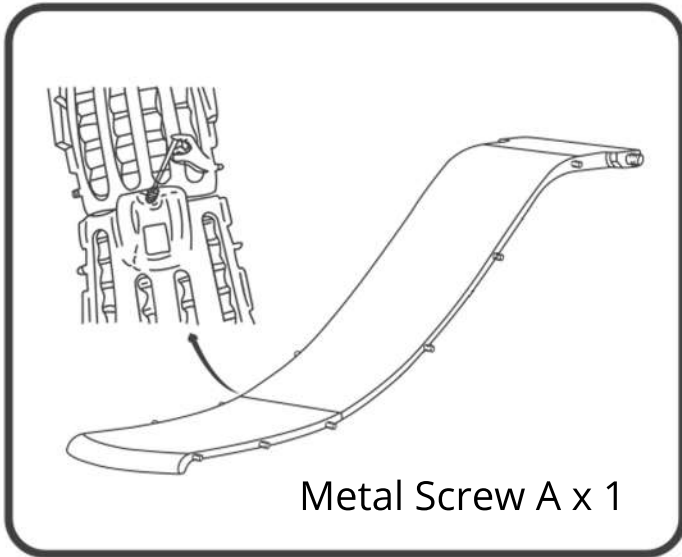


Screw J x 2



Clasp K x 4

ASSEMBLY

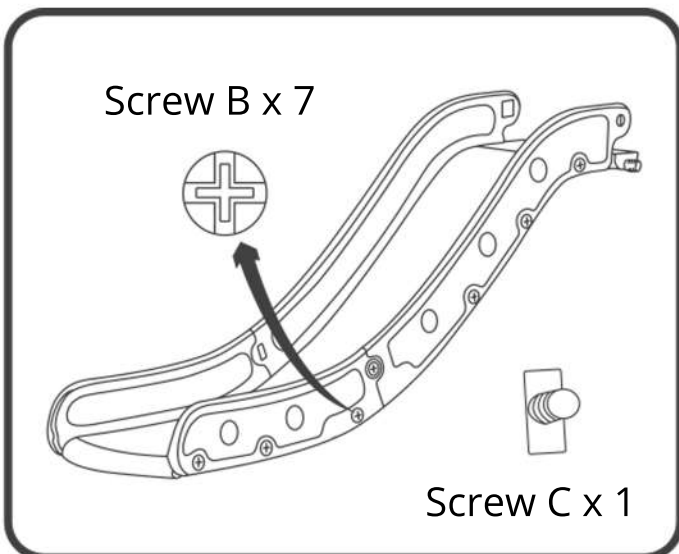
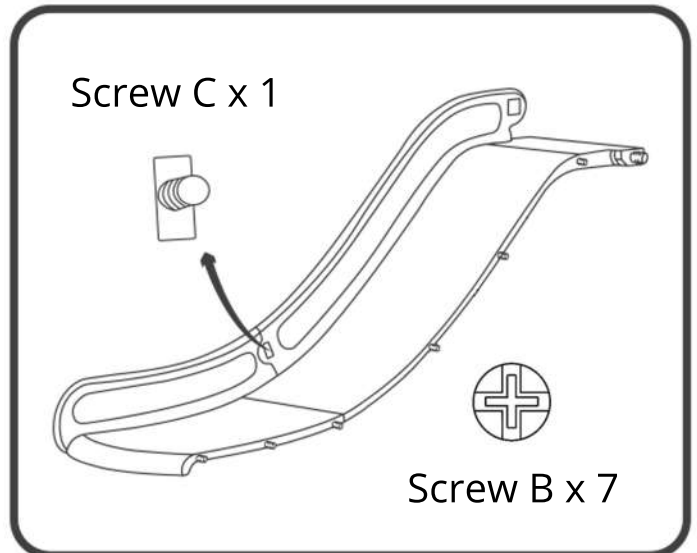


1.1

Attach the Slide to the Buffer Board, and secure with Metal Screw A on the back.

1.2

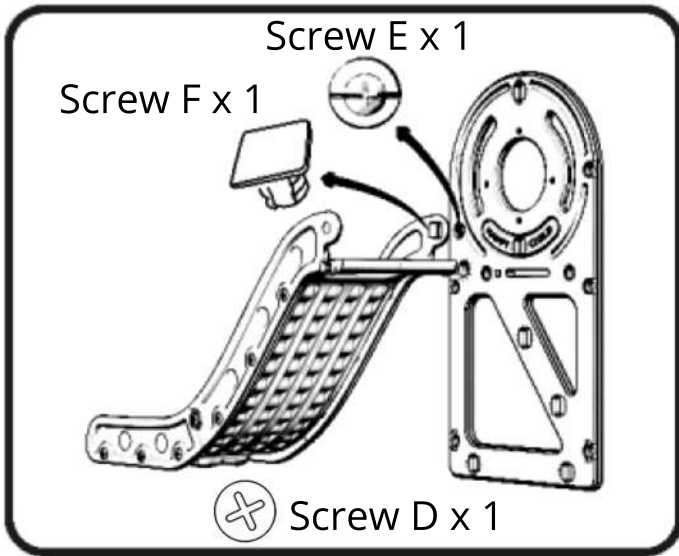
Connect the Slide Handrails together with Screw C, and then attach it to the Slide, secure with 7pcs Screw B. Tighten with Plastic Screwdriver.



1.3

Repeat the previous step to complete the other side. Tighten screws with Plastic Screwdriver.

ASSEMBLY

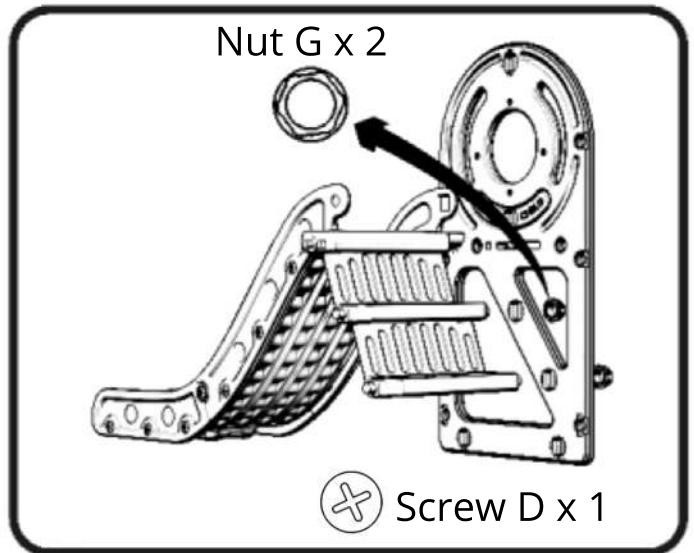


2.1

Connect the Slide section previously assembled to the Side Panel, securing them with 1pc Screw D, E, F, tighten with Plastic Screwdriver.

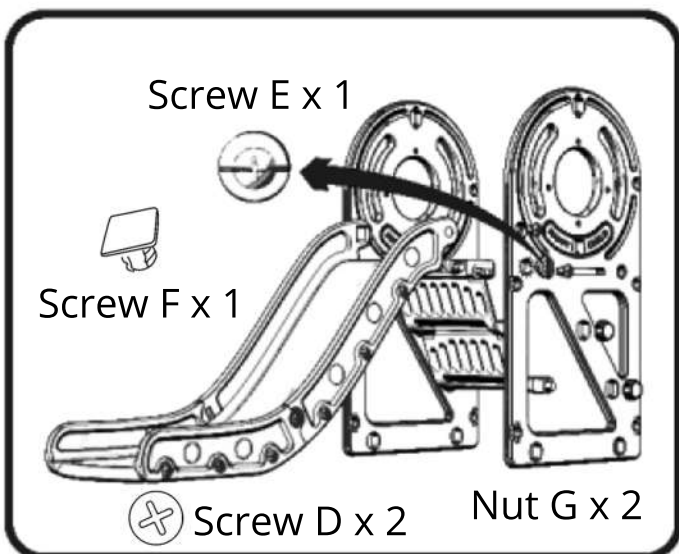
2.2

Insert the Tread and 2 Stairs into the Side Panel, secure with 1pc Screw D and 2pcs Nut G.

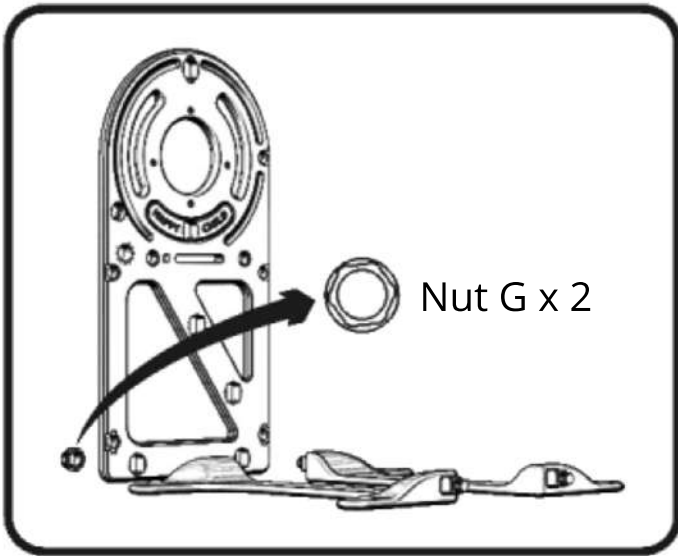


2.3

Install the second Side Panel, make sure the plastic pegs align with the correct holes, secure with 1pc Screw E, F, and 2pcs Screw D, Nut G. Tighten all screws with Plastic Screwdriver.



ASSEMBLY

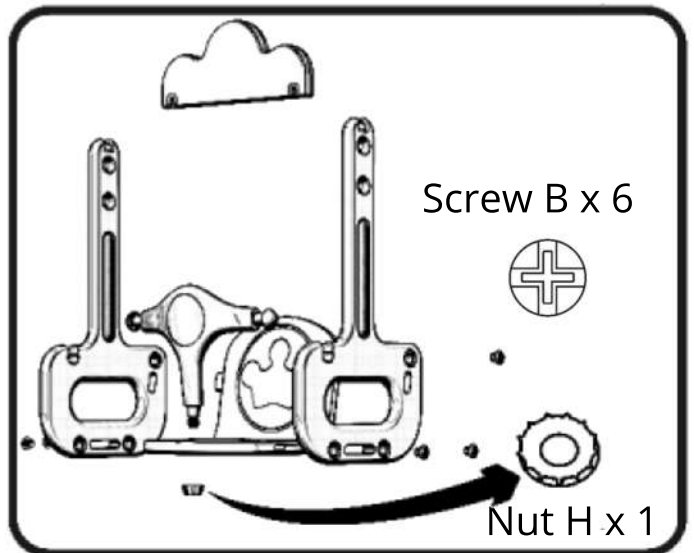


3.1

Insert 2 Swing Bases to the third Side Panel at the bottom, secure with 2pcs Nut G.

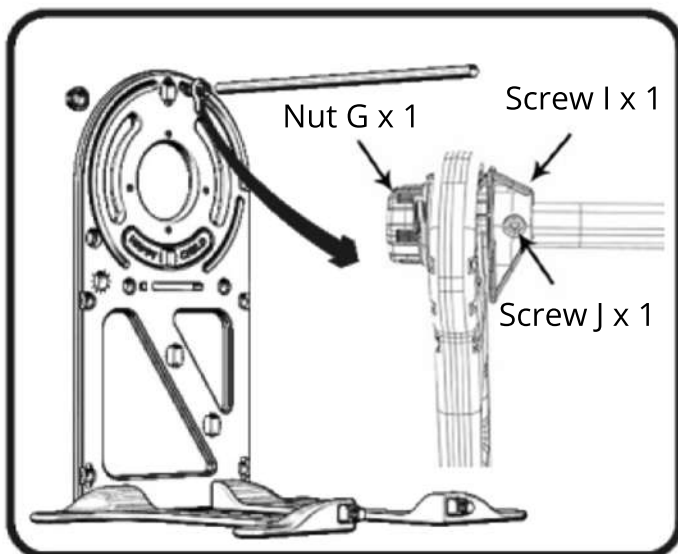
3.2

Connect the 2 Swing Arms, Swing Seat, and Armrest together, secure with 6pcs Screw B and 1pc Nut H. Fix the Swing Beam into the notch on the Swing Arms.

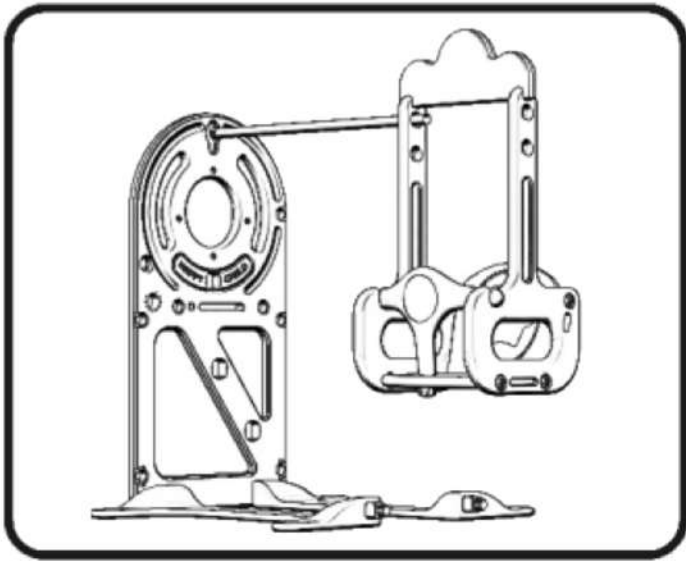


3.3

Slide the Swing Bar through Screw I and the Side Panel, secure Screw I with Metal Screw J, and the end of the bar with Nut G.



ASSEMBLY



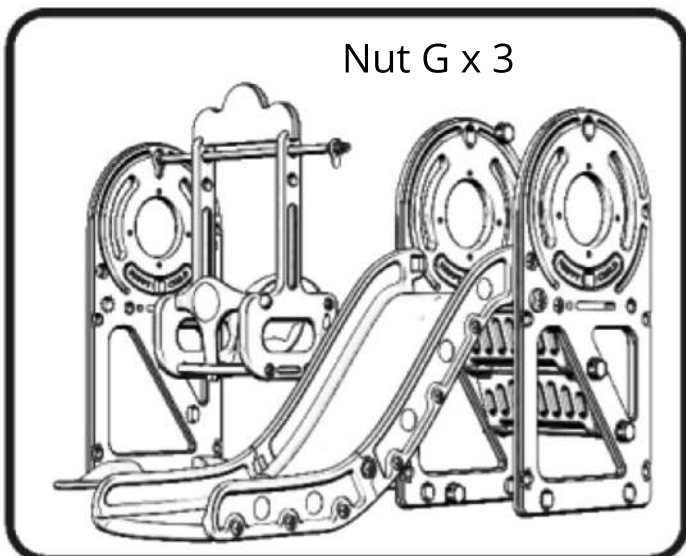
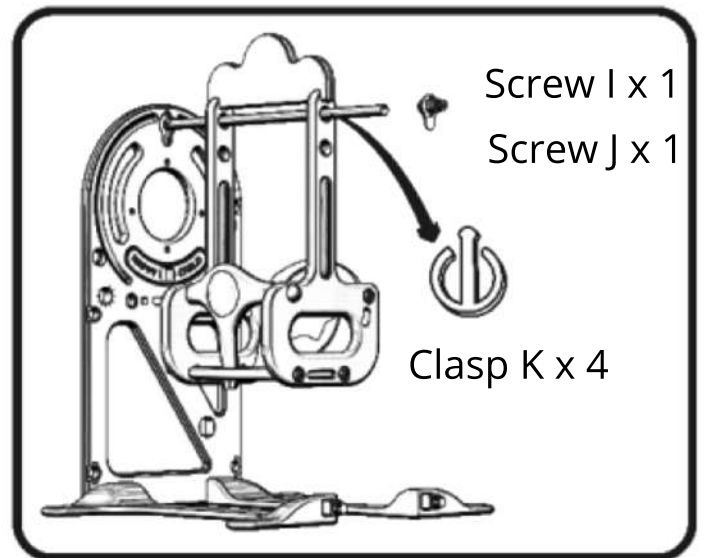
4.1

Slide the Swing Set through the Swing Bar.

4.2

Secure the Swing Set to the bar with 4pcs Clasp K.

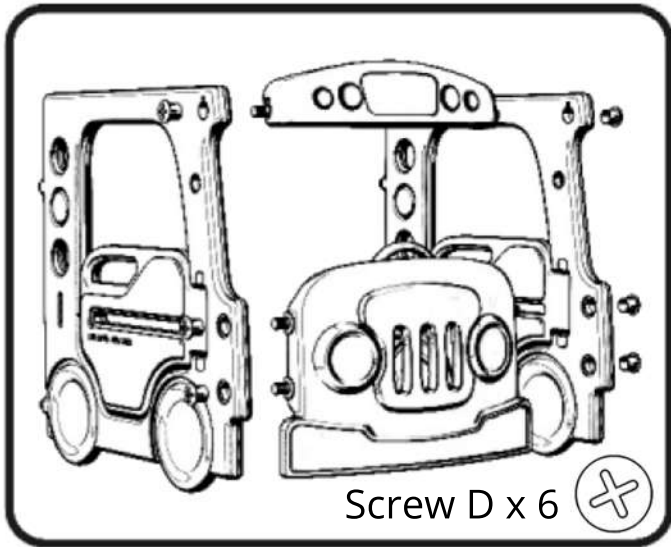
Install Screw I and Screw J to the other end of the Swing Bar.



4.3

Connect the Swing Set section to the Slide section, secure the bottom with 2pcs Nut G, and the Swing Bar to the middle Side Panel with 1pc Nut G.

ASSEMBLY

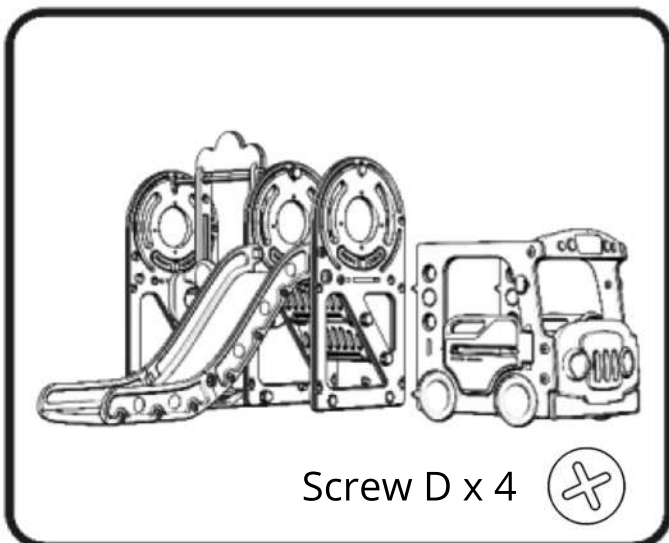
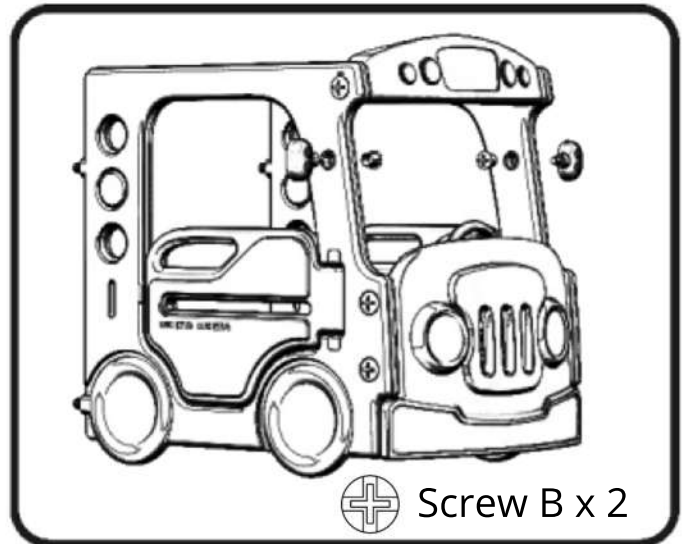


5.1

Connect the Bus Side Panel, Bus Front and Baffle Plate together, secure with 6pcs Screw D.

5.2

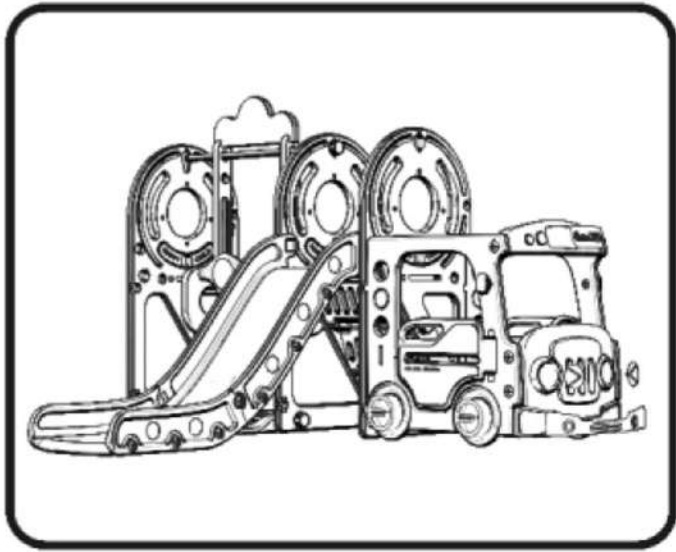
Install the 2 Rear-view Mirrors to the Bus Side Panel, secure with 2pcs Screw B.



5.3

Attach the Bus section to the Slide section, secure with 4pcs Screw D.

ASSEMBLY



6.1

Put Stickers on the Bus.

6.2

Install the Basketball Hoop to the Side Panel, secure with 1pc Nut G.

