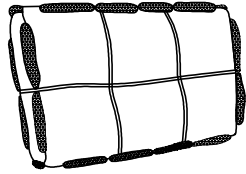


Assembly Instructions

Parts List

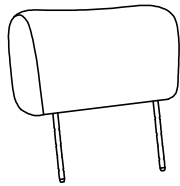
A



Back Cushion

1

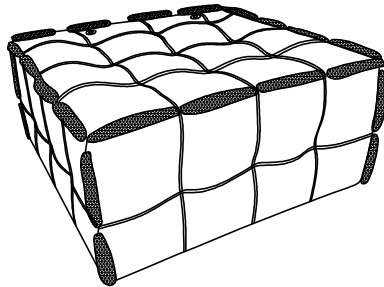
B



Headrest

1

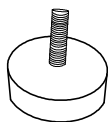
C



Sofa

1

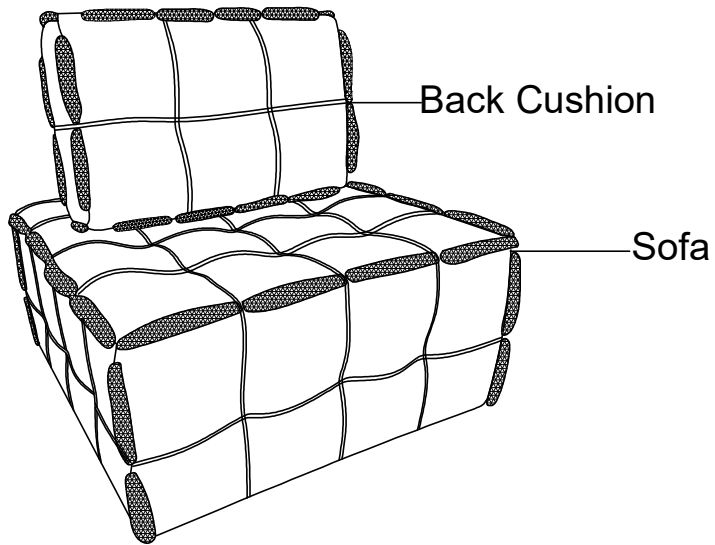
D



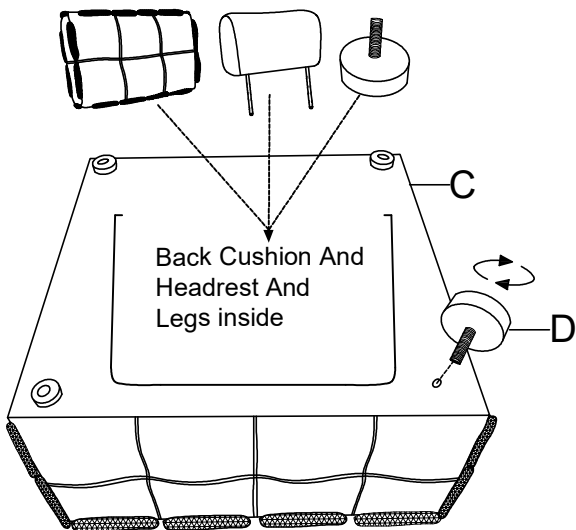
Leg

4

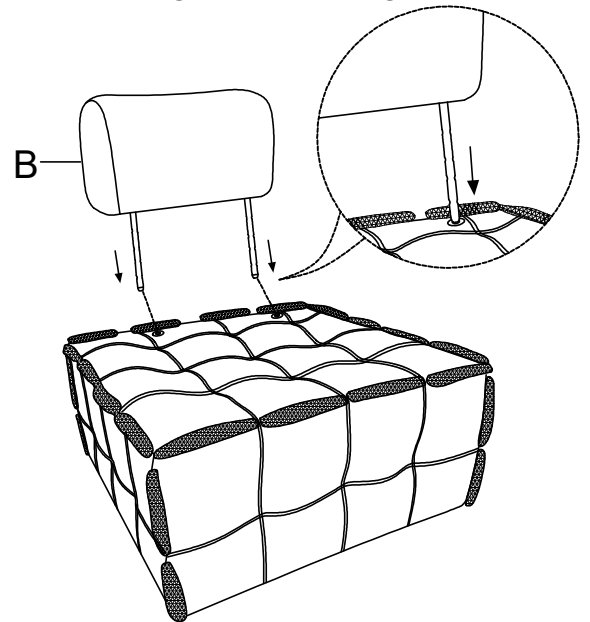
Assembly Steps



Step 1



Step 2 The headrest can be adjusted in height according to demand



Step 3

