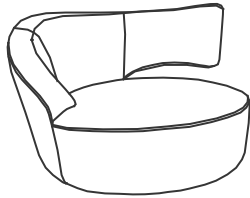


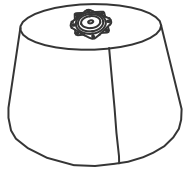
ASSEMBLY INSTRUCTIONS

HFSN-639

A*1



B*1



C*4

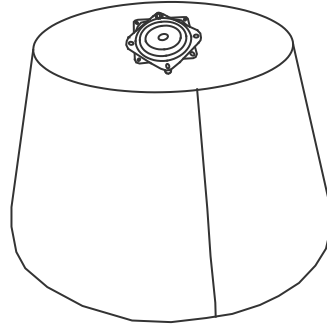


M6*50

D*1

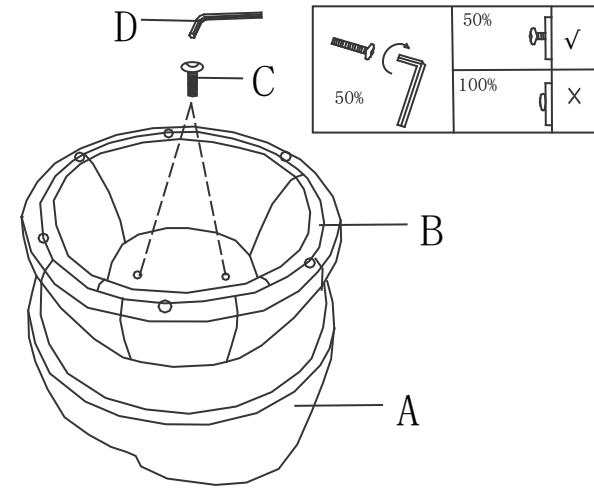


1

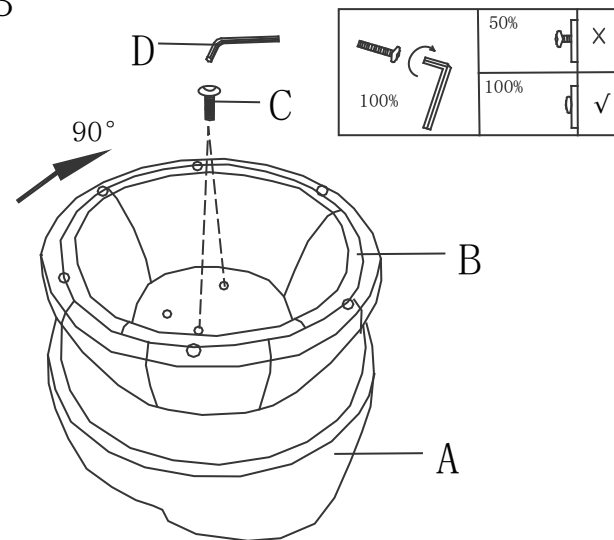


Rotate the turntable and align the holes on the turntable with the two holes on the base

2



3



4

