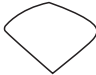




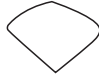


ASSEMBLY INSTRUCTIONS

⚠️ WARNING: To avoid serious personal injury:

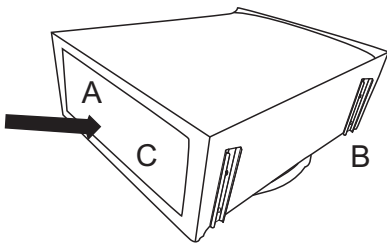
- Carefully and strictly follow assembly instructions. Improper assembly of furniture can result in structural failure, instability of the product, or tip-over.
- Monitor and carefully control the assembly components. These include small parts and hardware that may present a choking hazard to small children. Chair should be assembled only by responsible adults and children should not be involved in the assembly process.
- Where provided, wall mounting hardware should always be used as prescribed in these instructions to anchor furniture to wall. Proper use of the wall mounting hardware can significantly reduce the potential for furniture tip-over and crushing injuries.

PARTS LIST

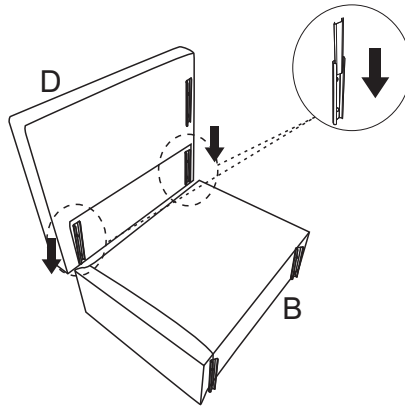
	PICTURE	DESCRIPTION	QTY		PICTURE	DESCRIPTION	QTY
A		BACK CUSHION	1PC	D		CHAIR-ARMREST	1PC
B		CHAIR-SEAT	1PC	E		CHAIR-ARMREST	1PC
C		CHAIR-BACKREST	1PC	F		SEAT CUSHION	1PC

ASSEMBLY STEPS

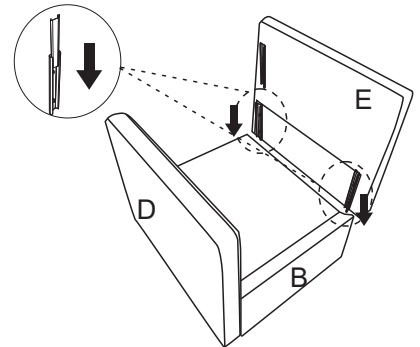
STEP 1:
Take out back cushion (A) & backrest (C) from seat (B), please see below picture.



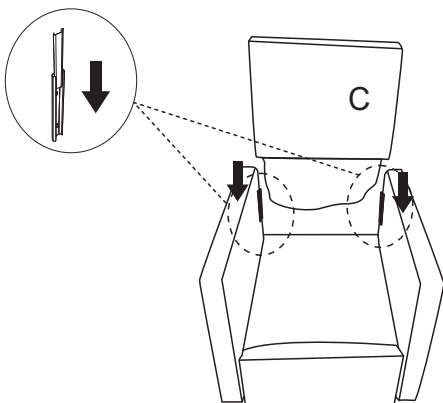
STEP 2:
Lower armrest (D) into seat (B) slowly, ensuring proper alignment of clips.



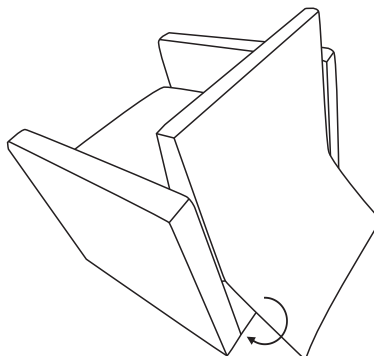
STEP 3:
Lower armrest (E) into seat (B) slowly, ensuring proper alignment of clips.



STEP 4:
Lower backrest (C) into place slowly, ensuring proper alignment of clips.



STEP 5:
Stick the back cover.



STEP 6:
Put the back cushion (A) on the backrest & seat cushion (F) on the seat.

