


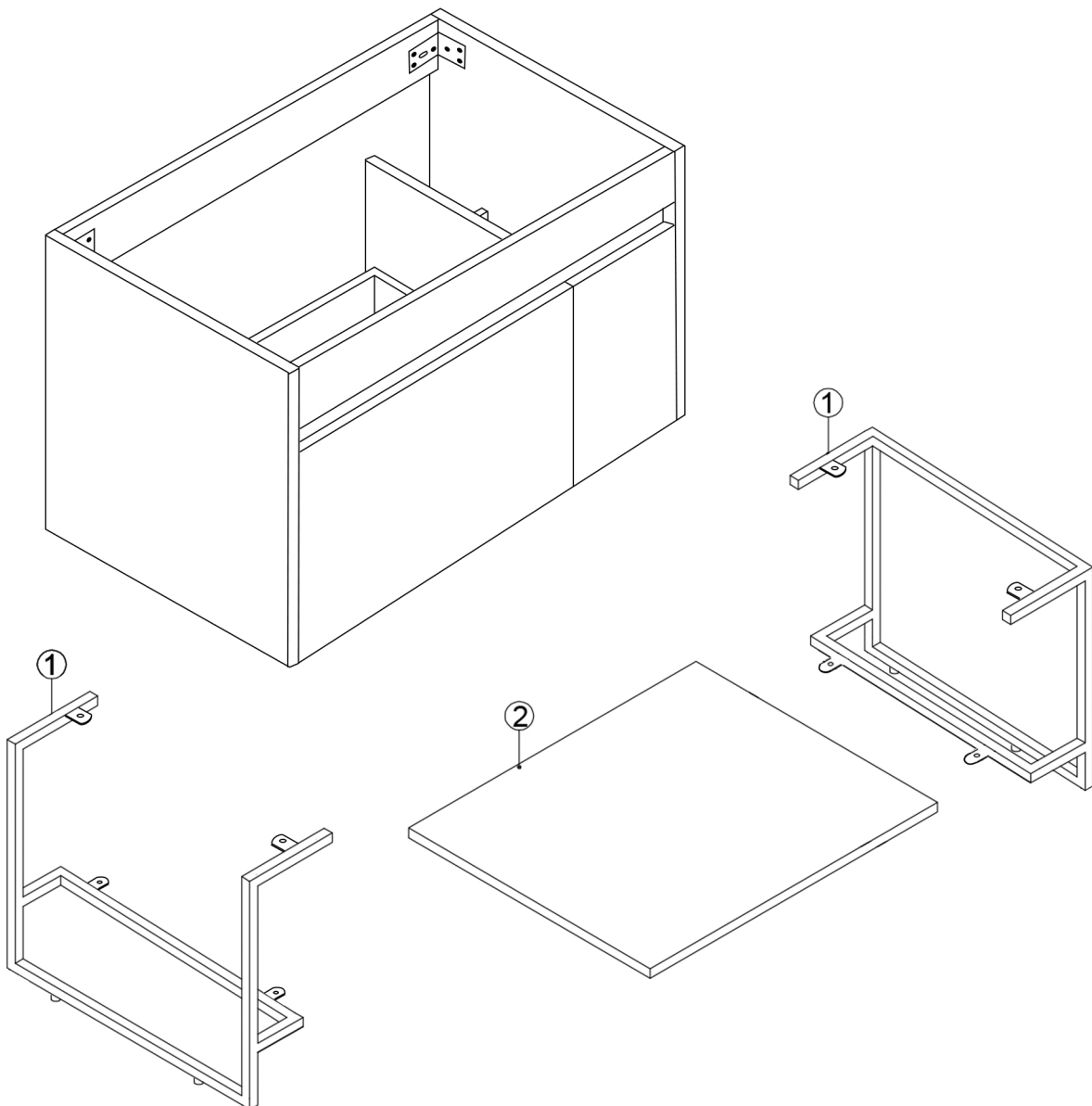
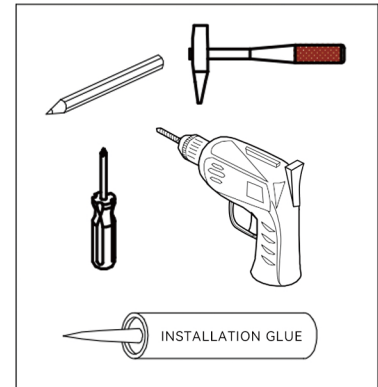


ITEM NO:182291white / 30in

Parts list

NO.	Description	QTY
01	 self-tapping screw	8
02	 Expansion Bolts	2
03	 Screws for fix on the wall M5.5x60	2

tool



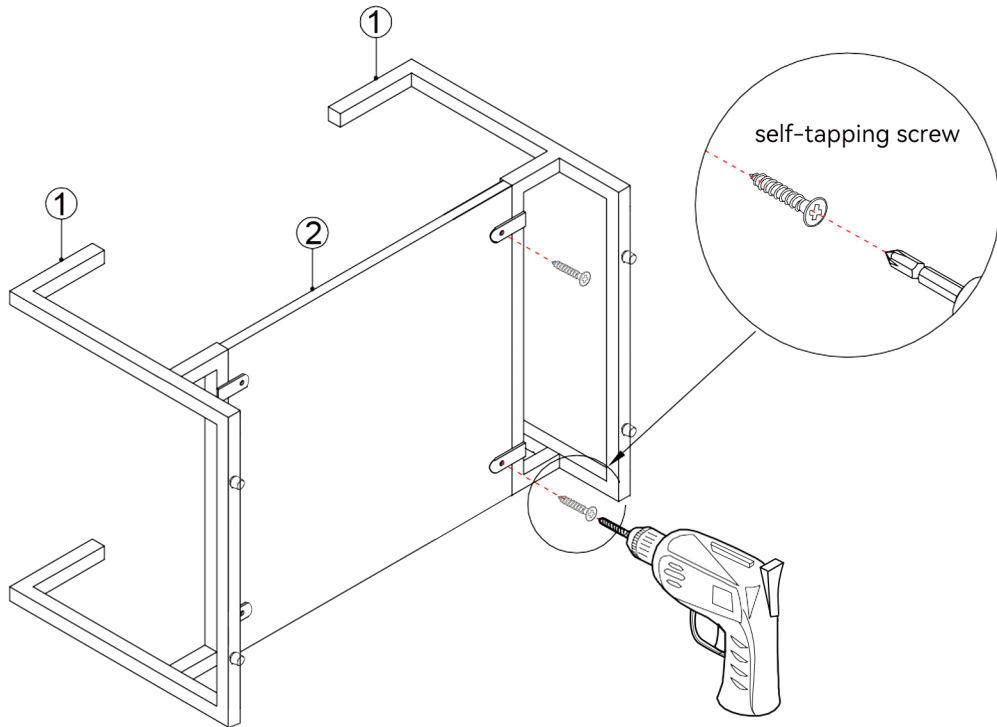
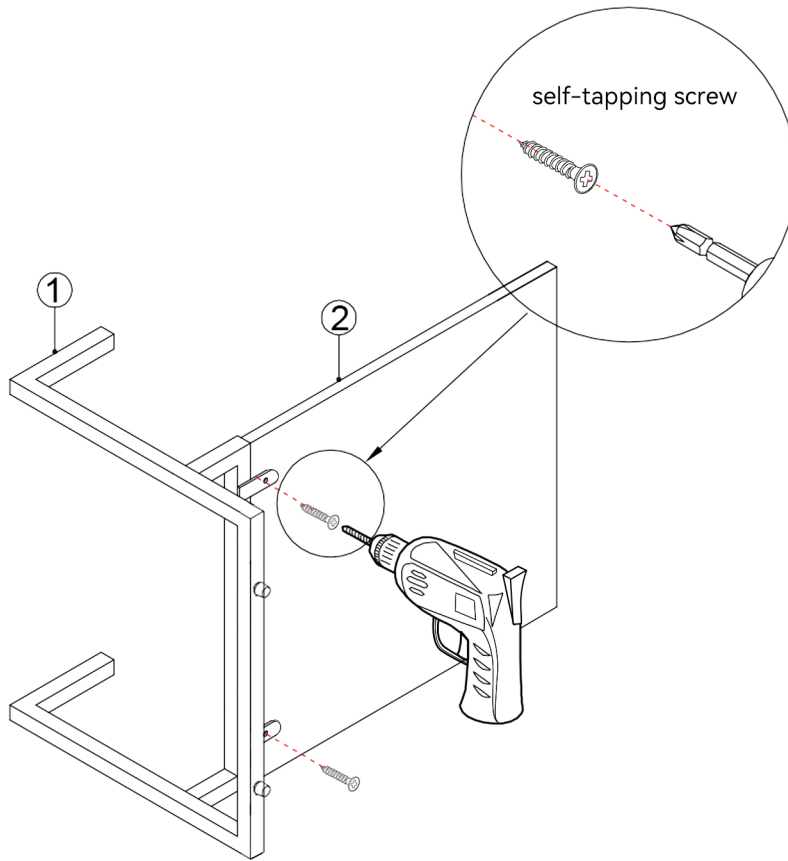
Step ①



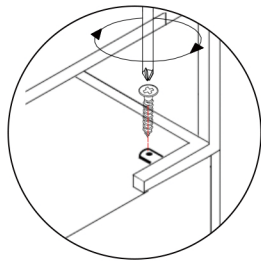
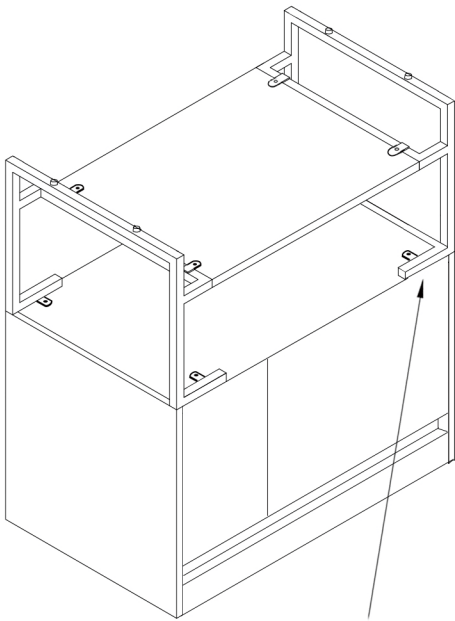
electric portable drill



self-tapping screw



Step ②



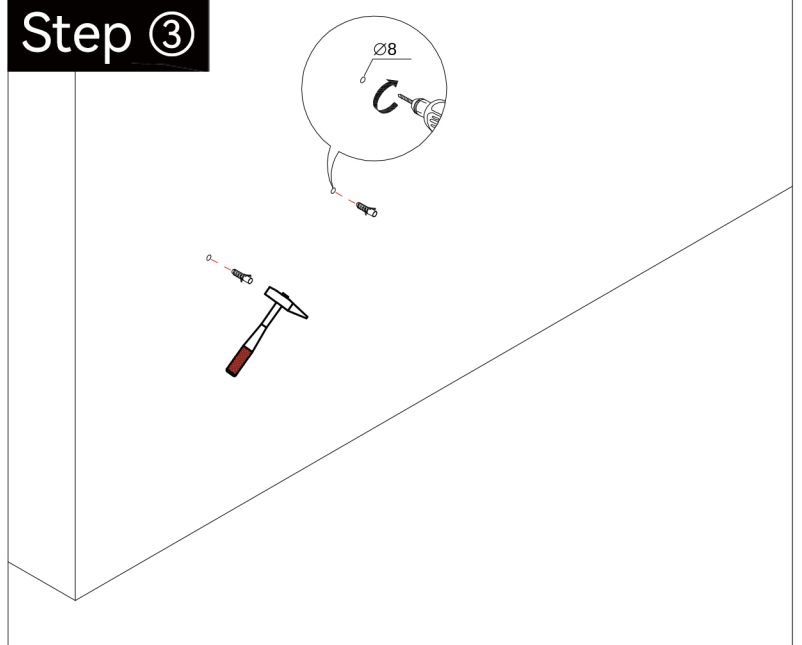
electric portable drill



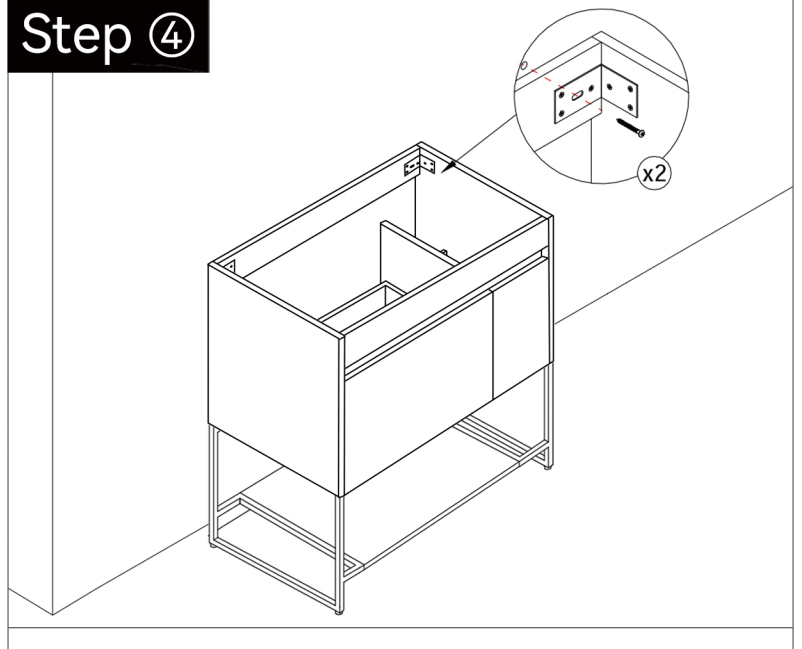
x4

self-tapping screw

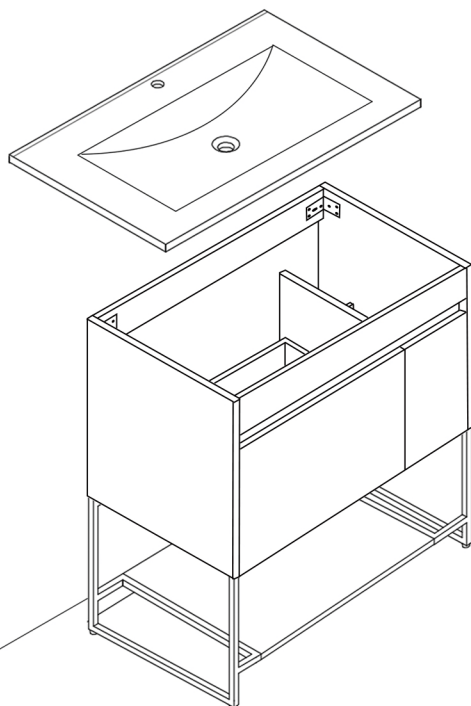
Step ③



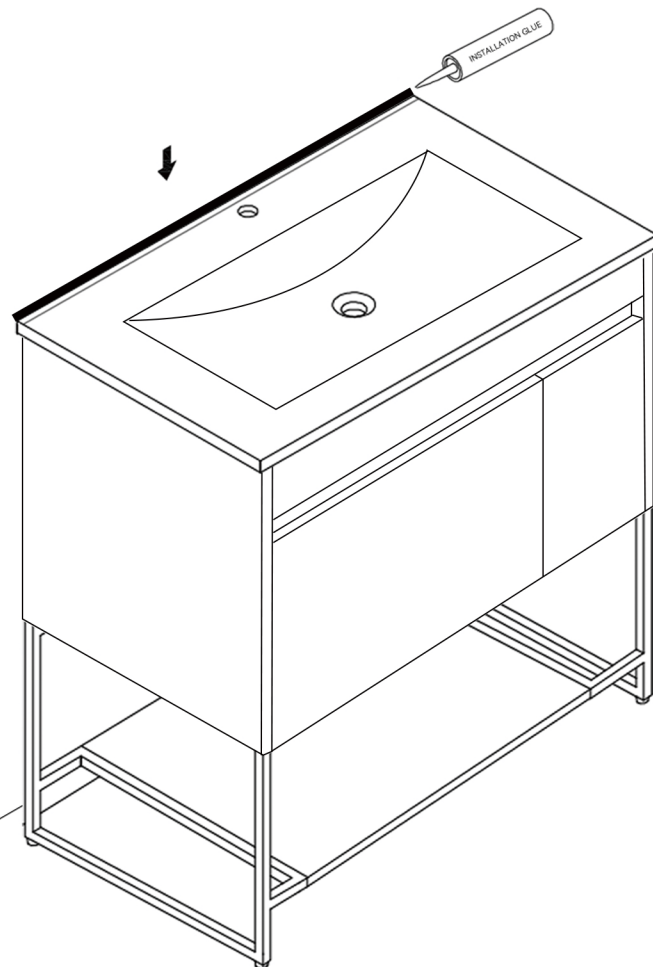
Step ④



Step ⑤



Step ⑥



CARE CLEANING AND MAINTENANCE

1. Dust regularly with a soft, dry cloth.
2. Avoid the use of all chemicals household cleaners, abrasives, or cleaners that contain lemon, vinegar, or other acids that may damage the finish.
3. Excessive exposure to sunlight and extreme changes in temperature and moisture can damage wood furniture.
4. The sink top is resilient, but care needs to be taken to preserve its appearance.
5. Do not place hot appliances, such as curling irons and hot hair dryers directly on the countertop. Wipe spills immediately.