



ITEM#: CR550CKT  
 CARSON COUNTER KITCHEN TABLE  
 54"X27.5"X36"

Your furniture purchase is an investment. Here are a few tips to maximize the lifetime of your furniture with a minimal amount of effort. Properly caring for your furniture can help ensure that it looks great year after year.

Wood Furniture Maintenance:

- Always dust, wipe, and clean with the grain of the wood.
- Dust with a soft cloth. Dust will scratch the furniture surface if not removed properly.
- If a polished surface becomes cloudy, rub it with a cloth dipped in a solution of one tablespoon vinegar to one quart of water. Rub softly with the grain until the surface is completely dry.
- Soap and water are not advisable for wood surfaces. Water can penetrate the finish and raise the grain on wood, causing damage.
- Remember to change dusting cloths frequently as dirty cloths may scratch your furniture's surface.

The Enemies of Wood:

- Moisture is wood's worst enemy. Liquid spills should be gently wiped up immediately. Coasters should be used under all beverages.
- Do not allow rubber or vinyl materials to lie on the furniture. Chemicals in rubber may leave a stain. Put a strip of felt or leather under accessories that have rubber or vinyl.
- Heat creates a chemical change in the furniture's finish, which may result in a white spot. Use protective pads under hot dishes, appliances, etc.
- Sunlight's ultraviolet rays can damage the finish of furniture. Do not place furniture directly against a heater or radiator and do not place in the path of hot streams of air from central heating. This will cause extreme localized drying of the wood.

Marble Top Maintenance:

The surface of the marble on your table has been polished and sealed to create a generally non-porous surface. The stone has many natural characteristics including veining, hairline cracks, and color variations, which make up the stone's beauty.

To maintain the beauty of your marble:

- Protect surfaces from scratching, staining and etching by:
  - Keeping them free of debris or sharp objects.
  - Wiping up spills immediately
  - Avoiding contact with chemicals (particularly acid-based materials)
- Clean with PH neutral products or those especially formulated for use on stone.
- It is not recommended to use a water-based solvent for dark marble as it will remove the polish from the surface.

Caring for the Fabric on Upholstered Furniture:

- Frequent vacuuming of the entire upholstered area will prevent dust from settling into the fibers.
- Professional cleaning is always recommended for all upholstered pieces.
- Do not use cleaning products containing brightening agents.

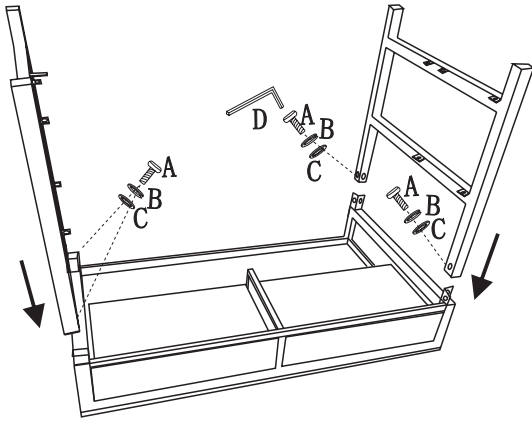
<b>VERY IMPORTANT!!</b>			
<p><b>NEVER</b>            USE GLASS CLEANERS            ON FINISHED SURFACES.            AMMONIA WILL            CHEMICALLY ATTACK            THE FINISH.</p>	<p>DO NOT            WRITE            DIRECTLY            ON            SURFACE </p> <p><b>PREVENT            MARKING</b></p>	<p>DO NOT            PLACE            DIRECTLY            IN            SUNLIGHT </p> <p><b>PREVENT            FADING</b></p>	<p>DO NOT            USE            PLACEMATS            WITH            RUBBER            BASES </p> <p><b>PREVENT            DISCOLORING</b></p>
<p><b>NEVER</b>            ALLOW LIQUIDS OF ANY            KIND TO LINGER ON            SURFACES. ABSORPTION            CAUSES THE WOOD TO            WARP AND THE FINISH            TO DE-LAMINATE.</p>	<p>DO NOT USE            COMMERCIAL            POLISHES            AND WAXES </p> <p><b>PREVENT            YELLOWING</b></p>	<p>DO NOT            PLACE HOT            POTS, ETC            ON            SURFACE </p> <p><b>PREVENT            DAMAGE TO            FINISH!</b></p>	<p>REGULATE            THE            HUMIDITY            CONDITIONS            AT YOUR            HOME </p> <p><b>PREVENT            SPLITTING</b></p>

# ITEM#: CR550CKT

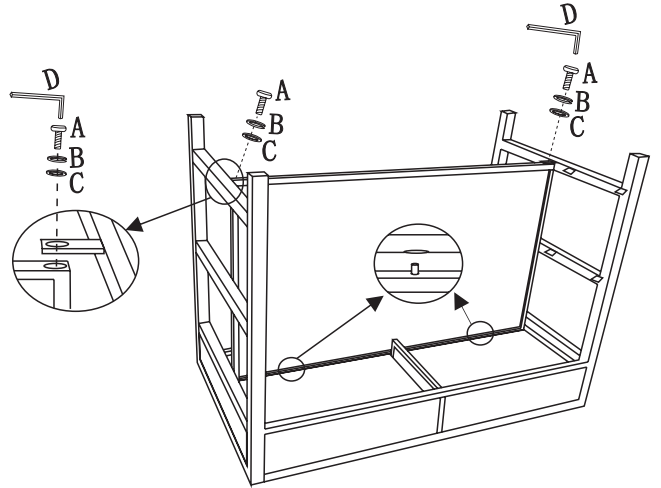
## Assembly Instruction

\* Do not tighten screws & bolts until the entire item is completely assembled.

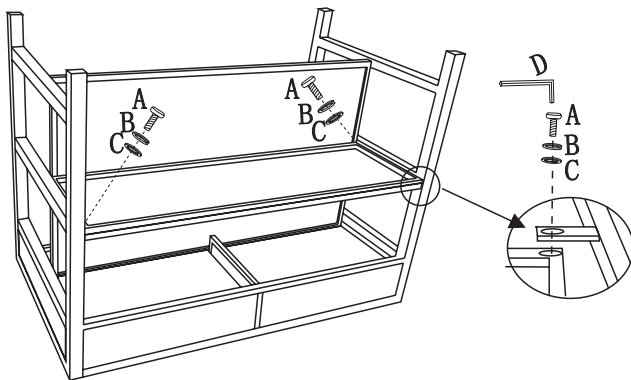
STEP1



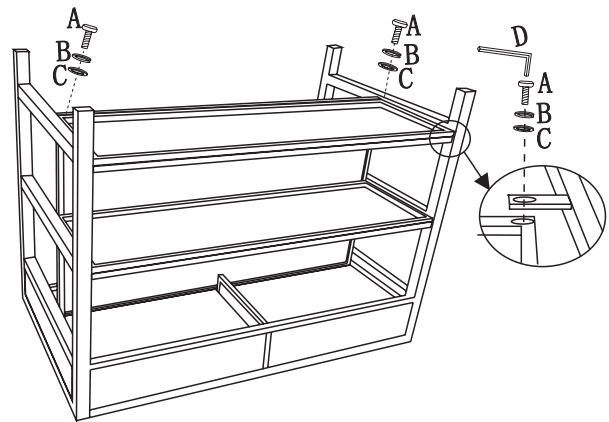
STEP2



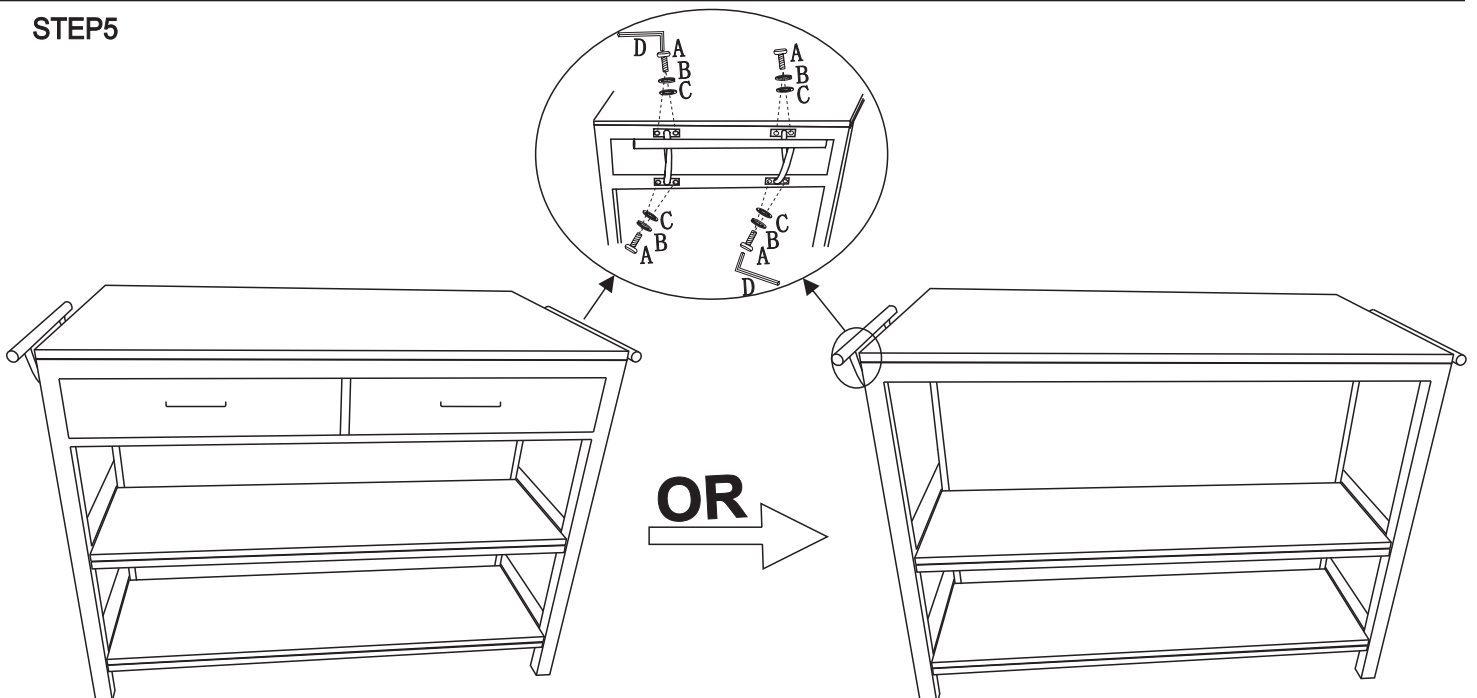
STEP3



STEP4

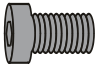





STEP5



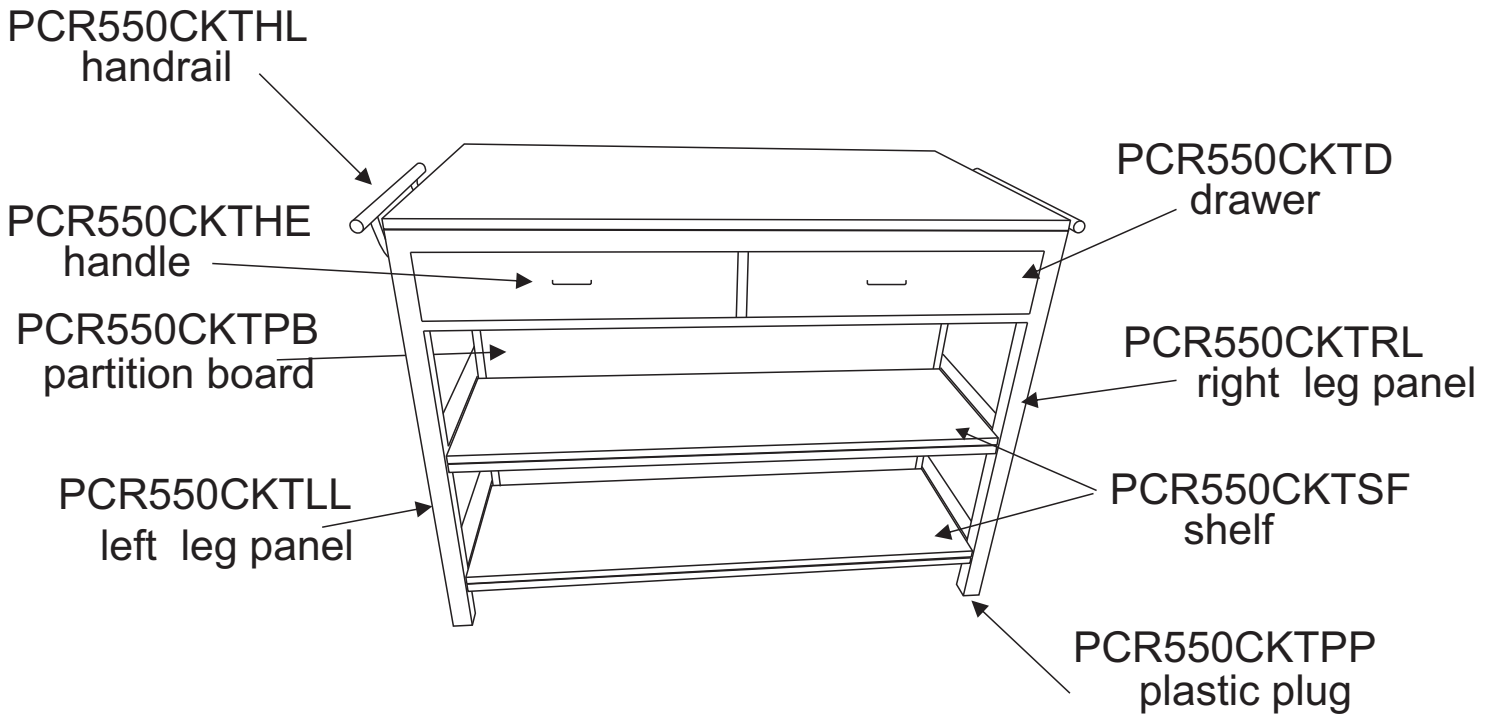
Installation can be interchanged left and right

## Hardware Pack#:PCR550CKTH

A		30PCS	1/4"X15mm
B		30PCS	φ 6.5mm
C		30PCS	φ 6.5mm
D		1PC	4mm

# Parts for CR550CKT

## Complete Hardware:#PCR550CKTH



### PRODUCT DETAILS

PANEL	20MM MDF LAMINATED MELAMINE VENEER
FRAME	IRON
LEG	IRON
COLOR OF METAL	BLACK FLASH SILVER
PRODUCT SIZE	55"X27.5"X36"H
CARTON SIZE	51.5"X32"X13.25"H
NET WEIGHT	139.50LBS
GROSS WEIGHT	145.00LBS
CU.FT.	12.60'

**MADE IN CHINA**



ITEM#: CR550CS  
 CARSON COUNTER STOOL  
 19"X15"X24"

Your furniture purchase is an investment. Here are a few tips to maximize the lifetime of your furniture with a minimal amount of effort. Properly caring for your furniture can help ensure that it looks great year after year.

Wood Furniture Maintenance:

- Always dust, wipe, and clean with the grain of the wood.
- Dust with a soft cloth. Dust will scratch the furniture surface if not removed properly.
- If a polished surface becomes cloudy, rub it with a cloth dipped in a solution of one tablespoon vinegar to one quart of water. Rub softly with the grain until the surface is completely dry.
- Soap and water are not advisable for wood surfaces. Water can penetrate the finish and raise the grain on wood, causing damage.
- Remember to change dusting cloths frequently as dirty cloths may scratch your furniture's surface.

The Enemies of Wood:

- Moisture is wood's worst enemy. Liquid spills should be gently wiped up immediately. Coasters should be used under all beverages.
- Do not allow rubber or vinyl materials to lie on the furniture. Chemicals in rubber may leave a stain. Put a strip of felt or leather under accessories that have rubber or vinyl.
- Heat creates a chemical change in the furniture's finish, which may result in a white spot. Use protective pads under hot dishes, appliances, etc.
- Sunlight's ultraviolet rays can damage the finish of furniture. Do not place furniture directly against a heater or radiator and do not place in the path of hot streams of air from central heating. This will cause extreme localized drying of the wood.

Marble Top Maintenance:

The surface of the marble on your table has been polished and sealed to create a generally non-porous surface. The stone has many natural characteristics including veining, hairline cracks, and color variations, which make up the stone's beauty.

To maintain the beauty of your marble:

- Protect surfaces from scratching, staining and etching by:
  - Keeping them free of debris or sharp objects.
  - Wiping up spills immediately
  - Avoiding contact with chemicals (particularly acid-based materials)
- Clean with PH neutral products or those especially formulated for use on stone.
- It is not recommended to use a water-based solvent for dark marble as it will remove the polish from the surface.

Caring for the Fabric on Upholstered Furniture:

- Frequent vacuuming of the entire upholstered area will prevent dust from settling into the fibers.
- Professional cleaning is always recommended for all upholstered pieces.
- Do not use cleaning products containing brightening agents.

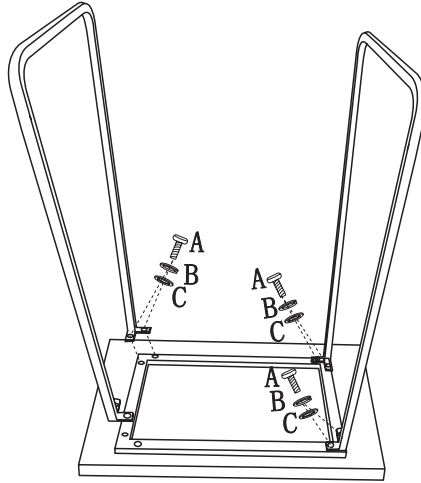
VERY IMPORTANT!!			
<p><b>NEVER</b>            USE GLASS CLEANERS            ON FINISHED SURFACES.            AMMONIA WILL            CHEMICALLY ATTACK            THE FINISH.</p>	<p>DO NOT            WRITE            DIRECTLY            ON            SURFACE </p> <p>PREVENT            MARKING</p>	<p>DO NOT            PLACE            DIRECTLY            IN            SUNLIGHT </p> <p>PREVENT            FADING</p>	<p>DO NOT            USE            PLACEMATS            WITH            RUBBER            BASES </p> <p>PREVENT            DISCOLORING</p>
<p><b>NEVER</b>            ALLOW LIQUIDS OF ANY            KIND TO LINGER ON            SURFACES. ABSORPTION            CAUSES THE WOOD TO            WARP AND THE FINISH            TO DE-LAMINATE.</p>	<p>DO NOT USE            COMMERCIAL            POLISHES            AND WAXES </p> <p>PREVENT            YELLOWING</p>	<p>DO NOT            PLACE HOT            POTS, ETC            ON            SURFACE </p> <p>PREVENT            DAMAGE TO            FINISH!</p>	<p>REGULATE            THE            HUMIDITY            CONDITIONS            AT YOUR            HOME </p> <p>PREVENT            SPLITTING</p>

# ITEM#:CR550CS

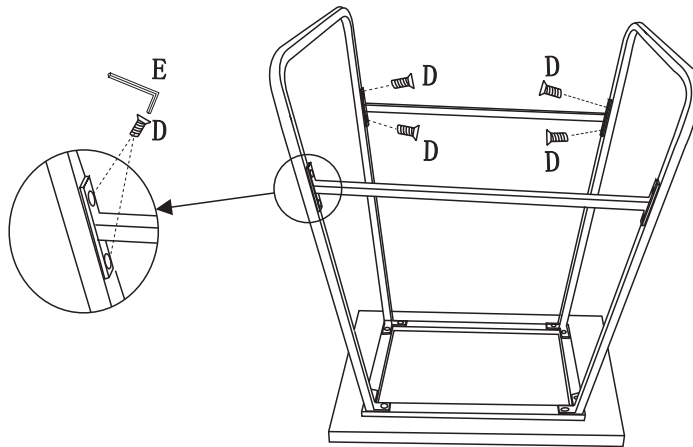
## Assembly Instruction

\* Do not tighten screws & bolts until the entire item is completely assembled.

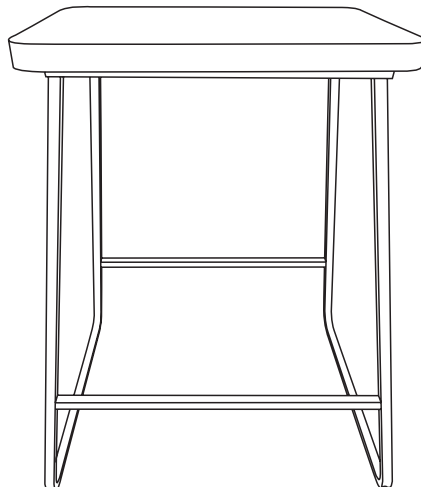
STEP1



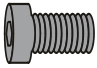


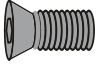

STEP2



STEP3

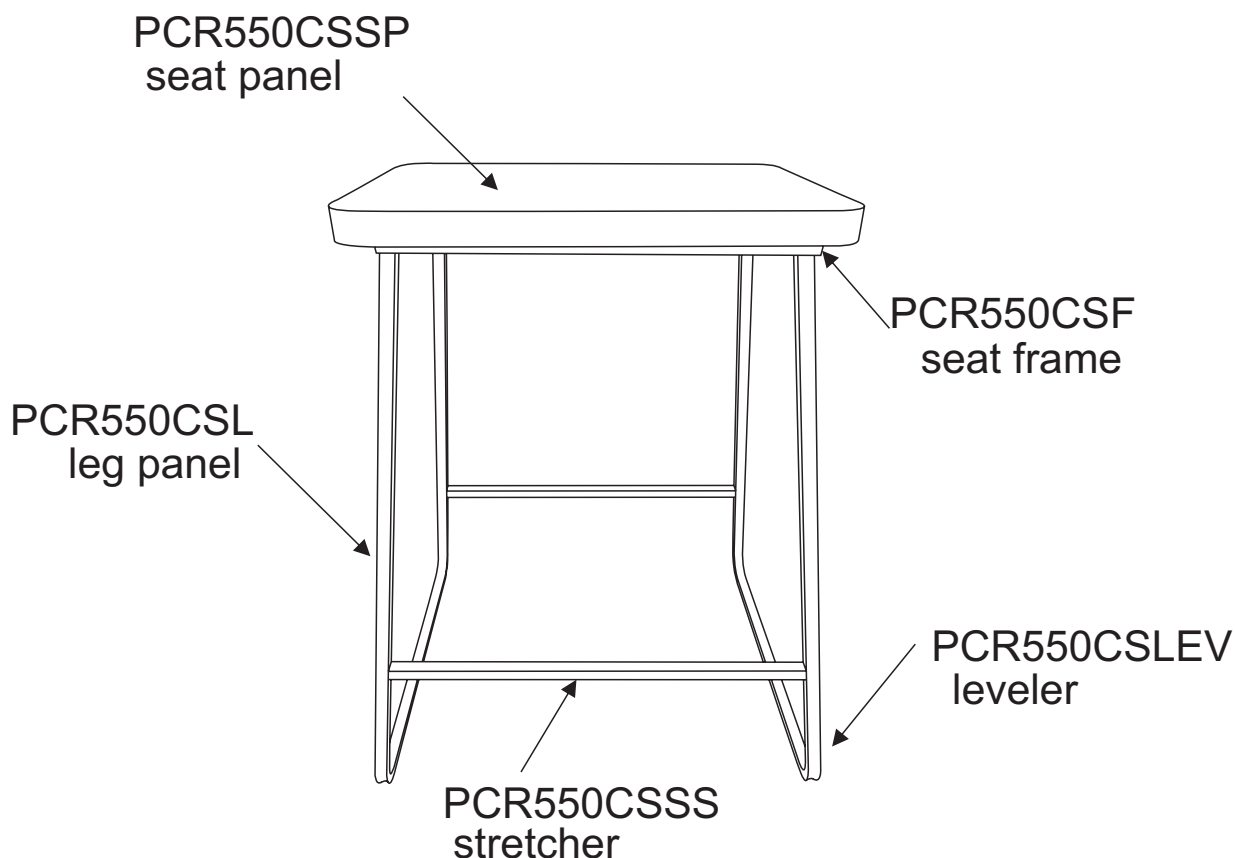


## Hardware Pack#:PCR550CSH

A		8PCS	1/4"X15mm
B		8PCS	φ 6.5mm
C		8PCS	φ 6.5mm
D		8PCS	1/4"X12mm
E		1PC	4mm

# Parts for CR550CS

Complete Hardware:#PCR550CSH



## PRODUCT DETAILS

SEAT	25MM MDF LAMINATED MELAMINE VENEER
FRAME	IRON
LEG & STRETCHER	IRON
LEVELER	POLYETHYLENE
COLOR OF METAL	BLACK FLASH SILVER
PRODUCT SIZE	19"X15"X24"H
SEAT PANEL SIZE	16"X11.1"X1"H
SEAT HEIGHT	24"
SEAT DEPTH	11.1"
CARTON SIZE	26X18"X5.25"H
NET WEIGHT	19.50LBS
GROSS WEIGHT	22.70LBS
CU.FT.	1.42'

**MADE IN CHINA**