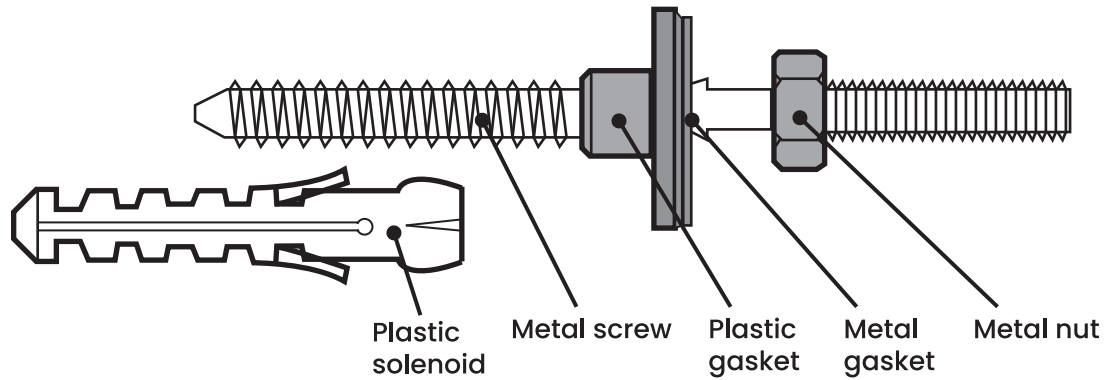
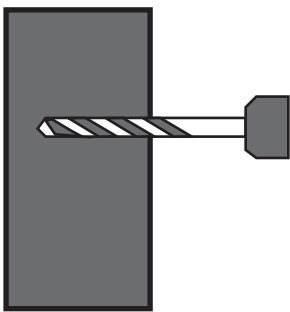


Installation Instructions

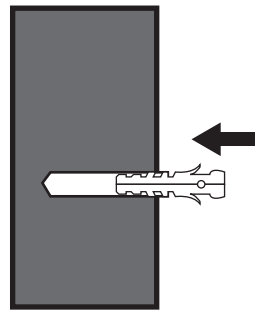


Note: These fixings are suitable for solid walls only. Plasterboard or stud walls may require specialist fixings (not included).

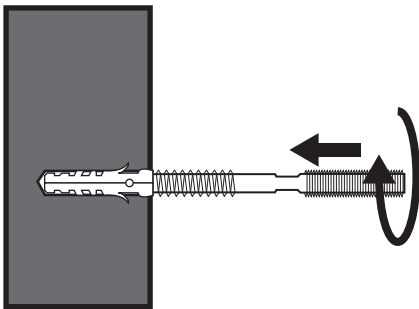
Caution: Be careful when drilling walls to avoid any sunken wires or pipes.



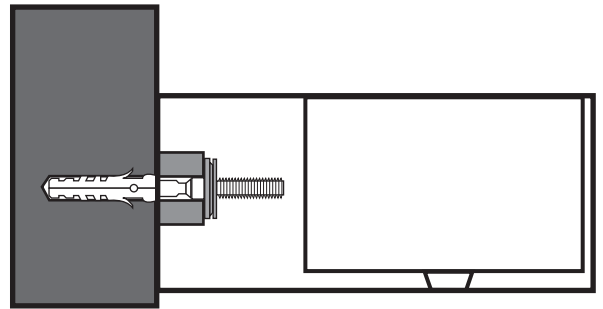
Step 1. Drill two holes in the required position on the wall using a $\varnothing 0.55''$ masonry drill bit. The hole depth is 2.95''.



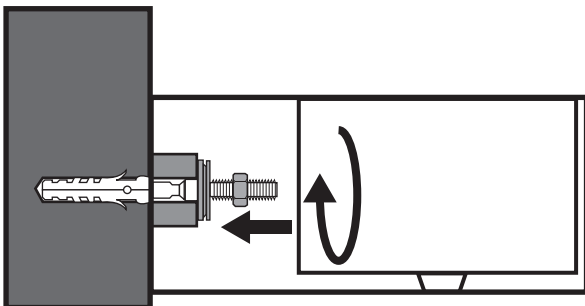
Step 2. Insert a wall plug into each hole.



Step 3. Screw a fixing bolt into each fixing plug using a 0.31'' spanner until the spanner contacts the wall.

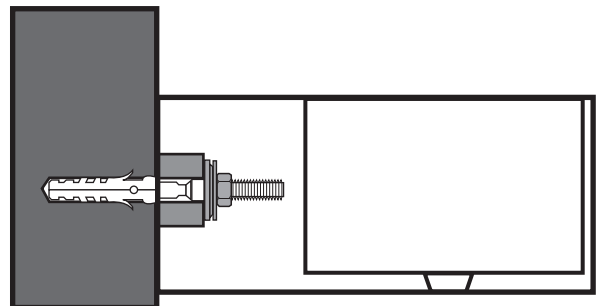


Step 4. Place the basin in position against the wall. Put the fixing bolts through the rear holes of the basin. Place a plastic washer, then a metal washer, onto each fixing bolt.



Step 5. Screw a metal nut onto each fixing bolt to secure the basin.

*Caution: Do not over tighten, as this may damage the basin surface.



Done