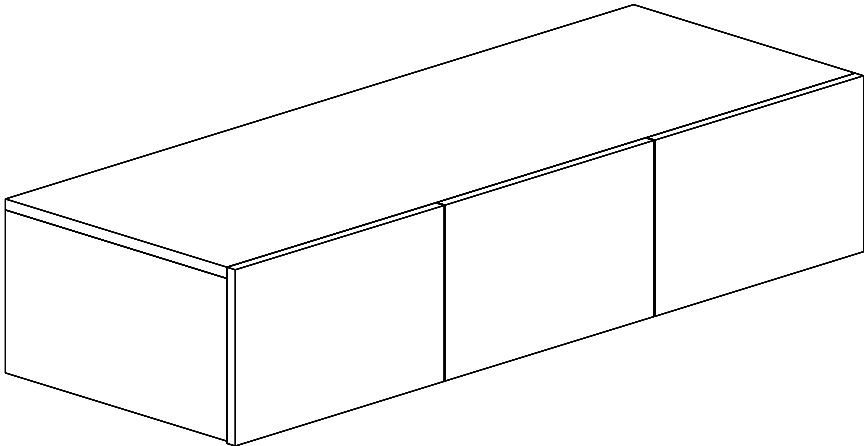


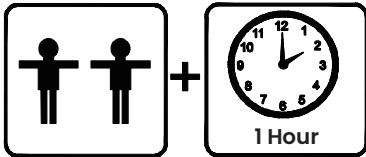
Floating Bathroom Cabinet Installation Guide



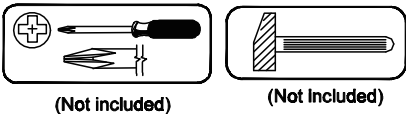
Thank you for selecting our quality product. Prior to assembly, carefully inspect all packing materials for any loose parts. Separate and count all components, comparing them to the parts list provided.

Reminder

Refrain from tightening screws until assembly is complete. This ensures proper alignment and avoids any complications.



Tools Required



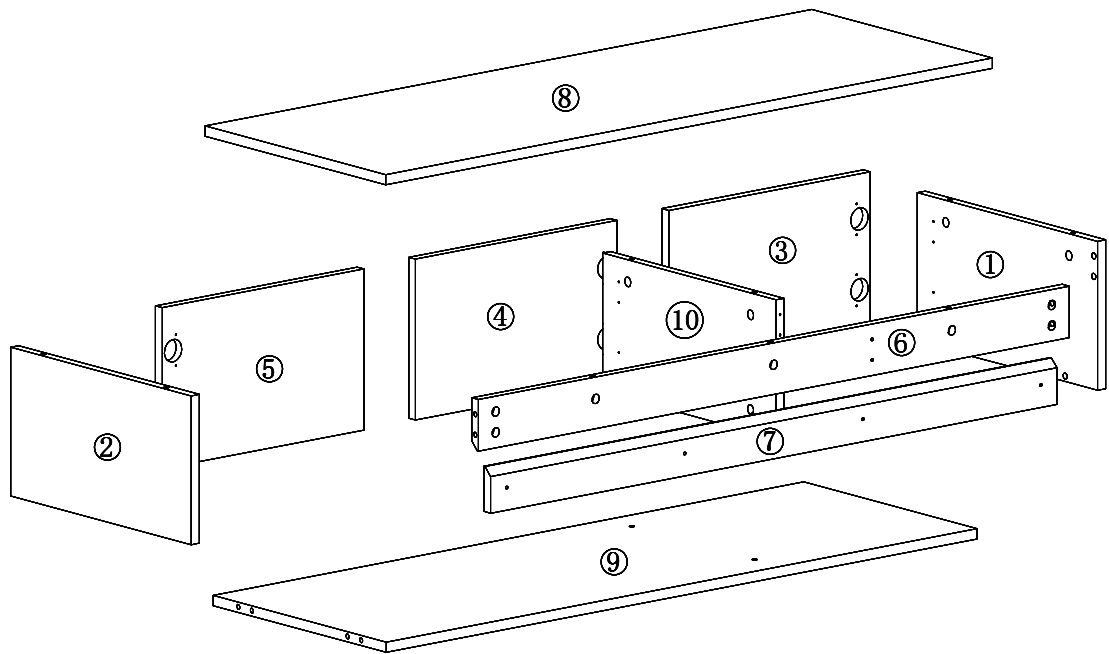
IMPORTANT:
PLEASE READ INSTRUCTIONS BEFORE STARTING THE ASSEMBLY.

Thank you for choosing our products. Please review the installation manual carefully before assembly, following the step-by-step instructions for accessories and hardware. Our detailed guidance ensures a smooth assembly process.

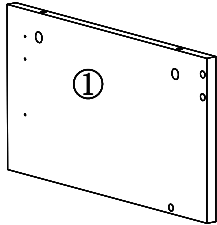
Our products are environmentally friendly. To maintain their quality, avoid submerging them in water, placing heavy items on them, or applying excessive force. If you encounter any issues, please contact us for assistance.

We appreciate your purchase. Thank you.

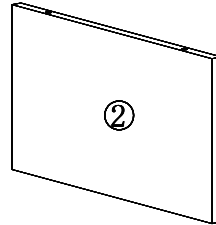
Exploded View



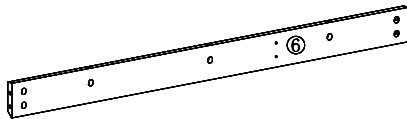
Parts List



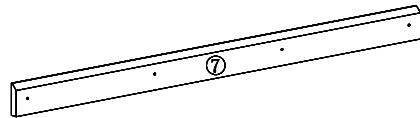
**Left Panel
(1pcs)**



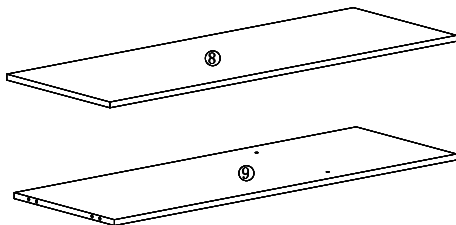
**Right Panel
(1pcs)**



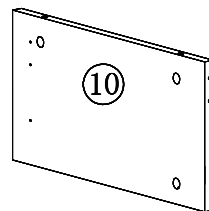
**Hanging Bracket-A
(1pcs)**



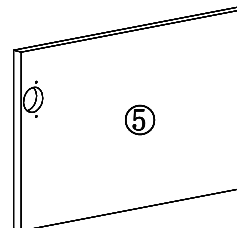
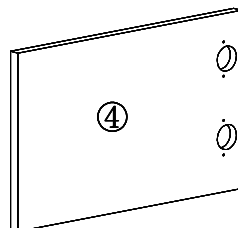
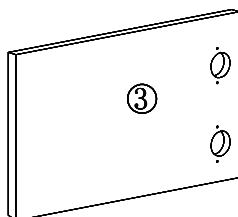
**Hanging Bracket-B
(1pcs)**



**Top & Bottom Panel
(2pcs)**

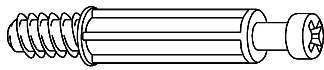


**Middle Panel
(1pcs)**

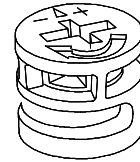


Door (3pcs)

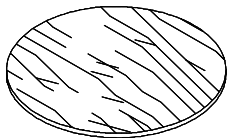
Parts List



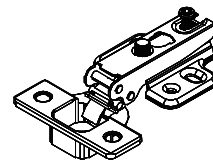
H1 (19pcs)



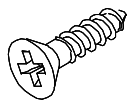
H2 (19pcs)



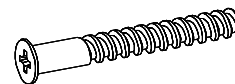
H3 (19pcs)



H4 (6pcs)



H5 (36pcs)



H6 (2pcs)



A
(40pcs)

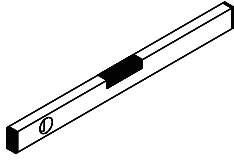


B
(70pcs)

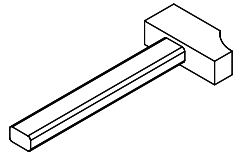


C
(4pcs)

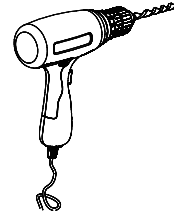
Tools Required



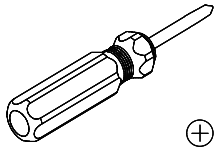
Level



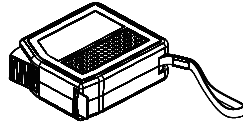
Hammer



Drill (ϕ 5/16")



Screwdriver

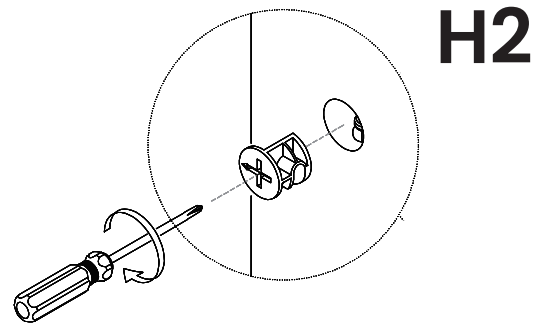
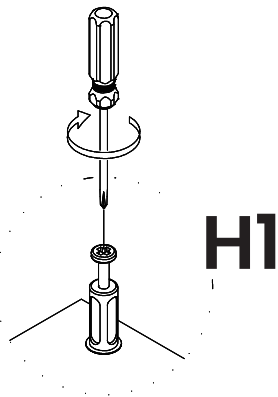


Tape



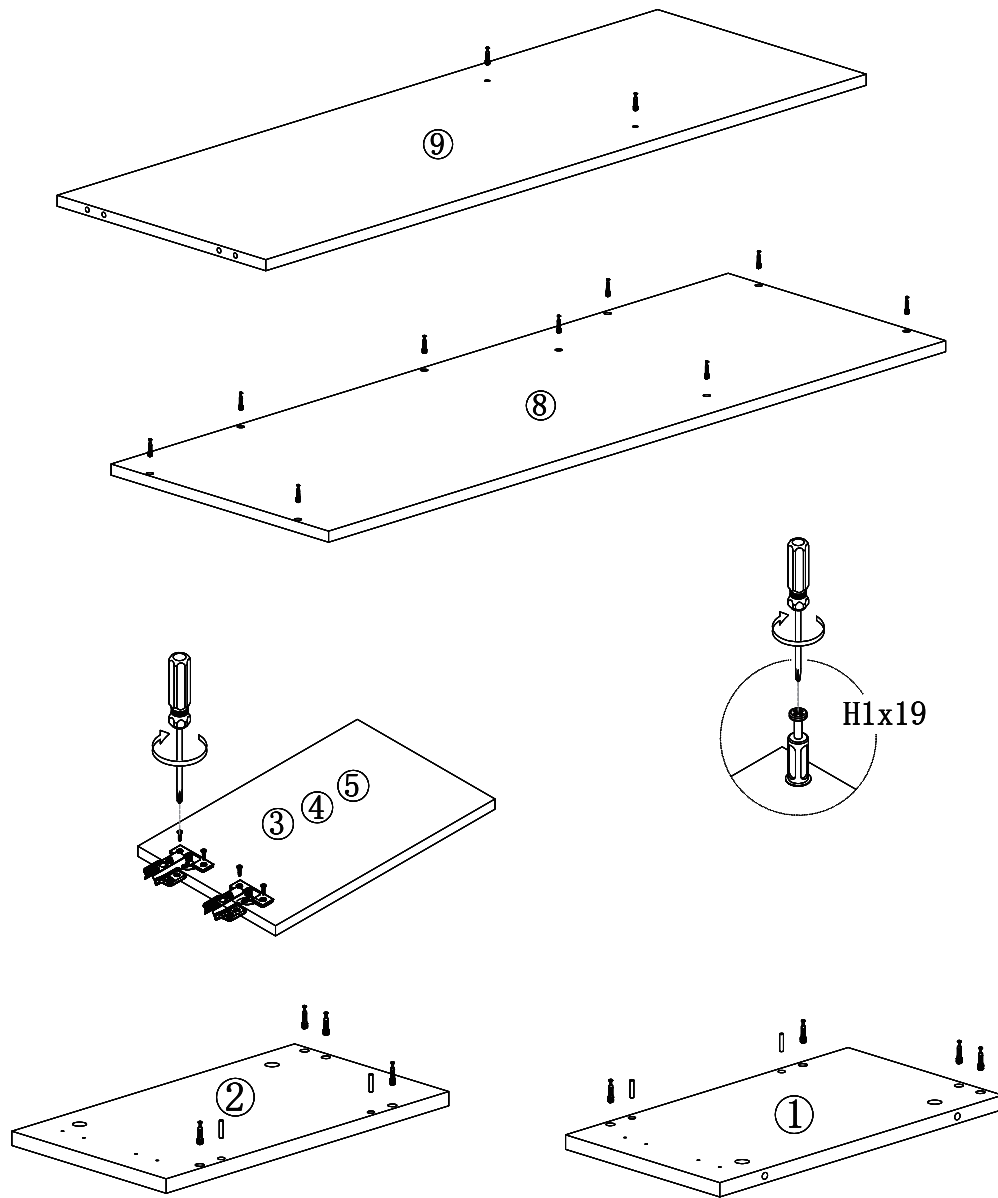
Pencil

How to use the tools:



Installation

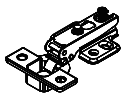
Pre-assembly



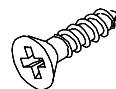
Parts & Tools Required:



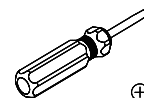
H1 (19pcs)



H4 (6pcs)



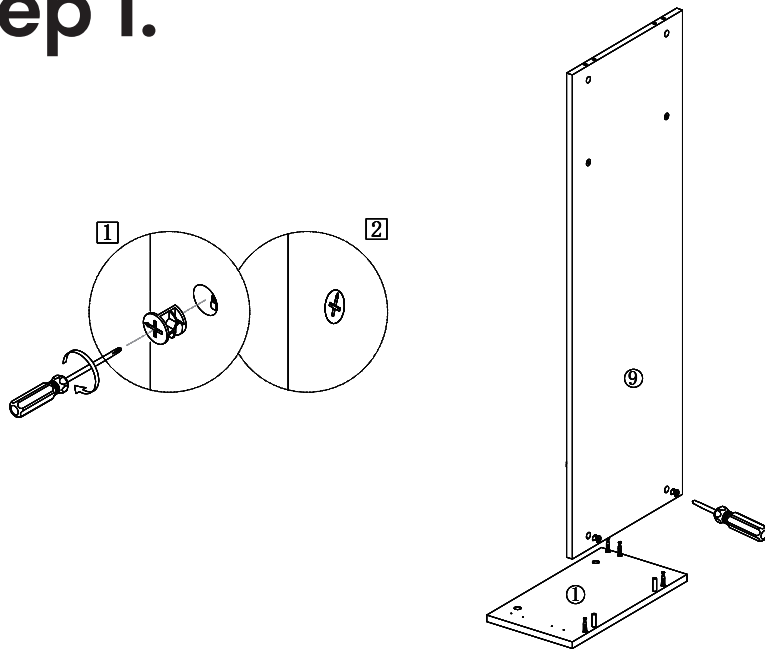
H5 (12pcs)



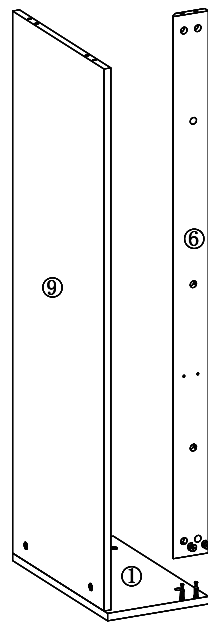
Screwdriver

Installation

Step 1.



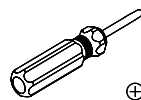
Step 2.



Parts & Tools Required:



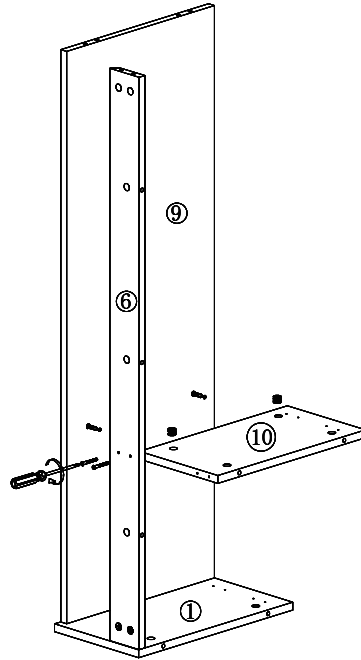
H2 (4pcs)



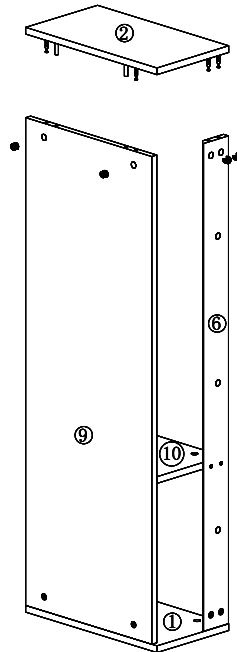
Screwdriver

Installation

Step 3.



Step 4.



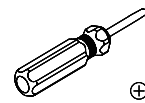
Parts & Tools Required:



H2 (6pcs)



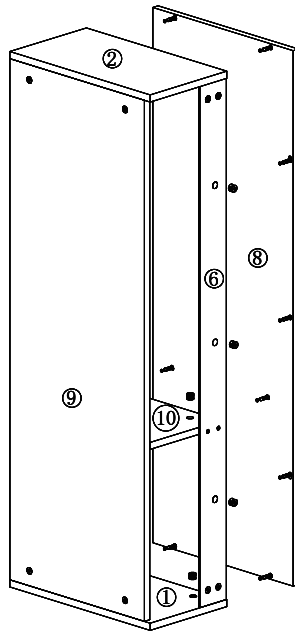
H6 (2pcs)



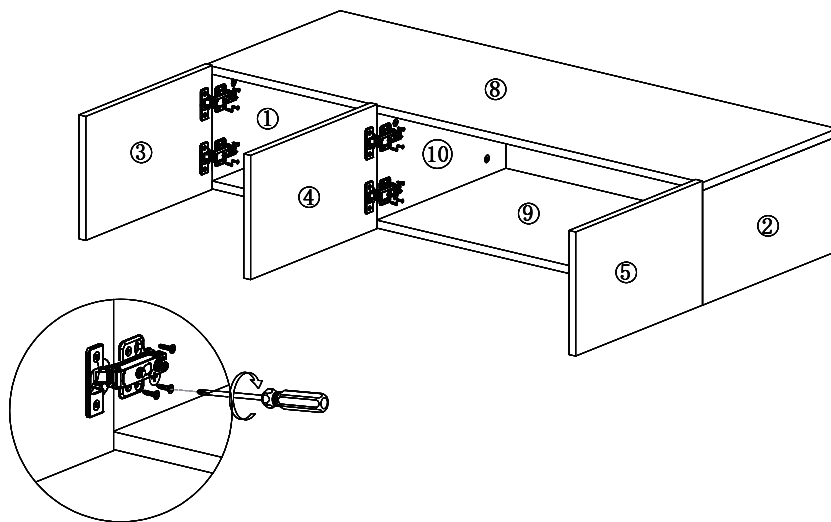
Screwdriver

Installation

Step 5.



Step 6.



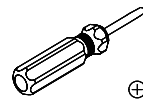
Parts & Tools Required:



H2 (9pcs)



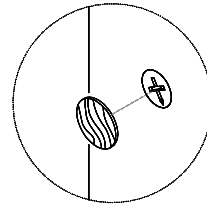
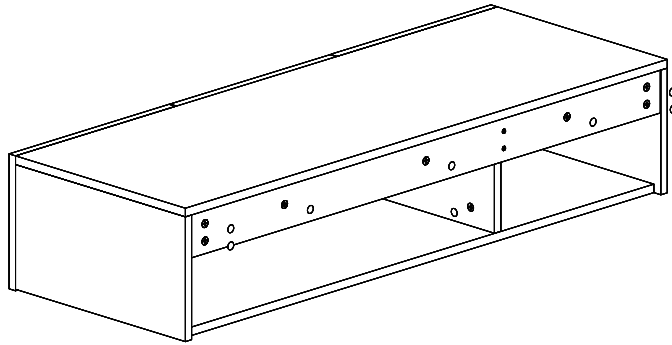
H5 (24pcs)



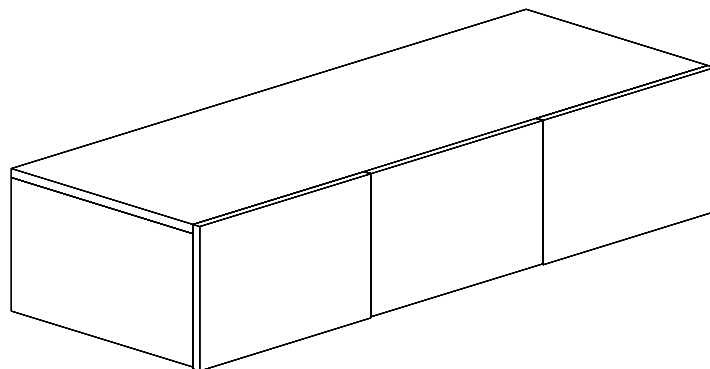
Screwdriver

Installation

Step 7.



Assembly Completed



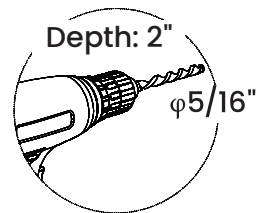
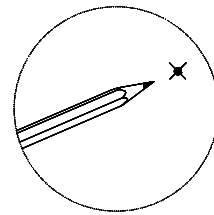
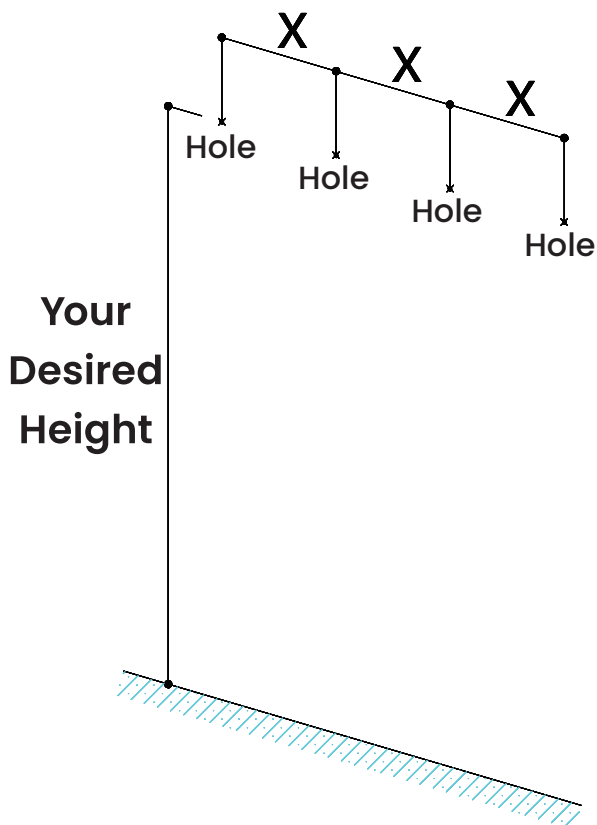
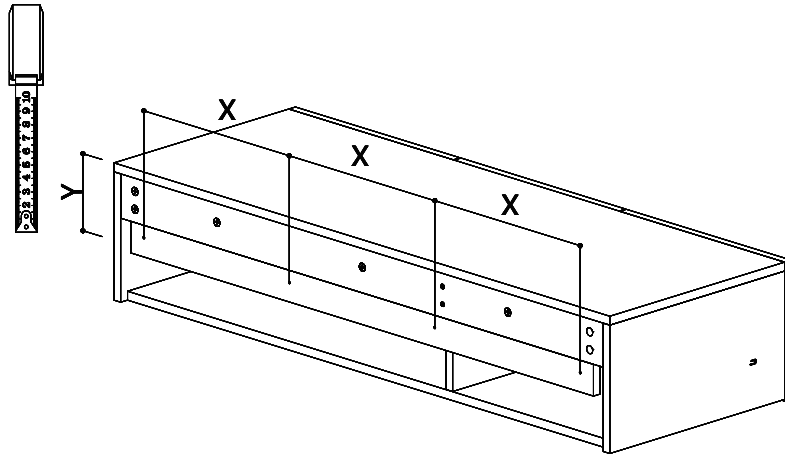
Parts & Tools Required:



H3 (19pcs)

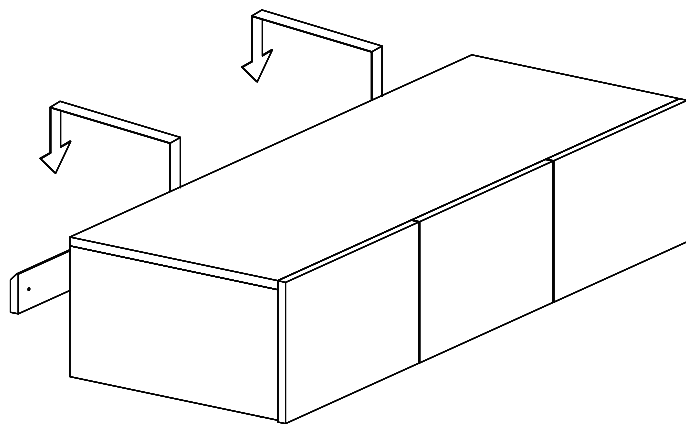
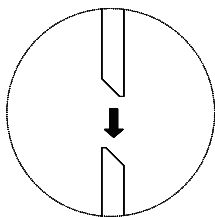
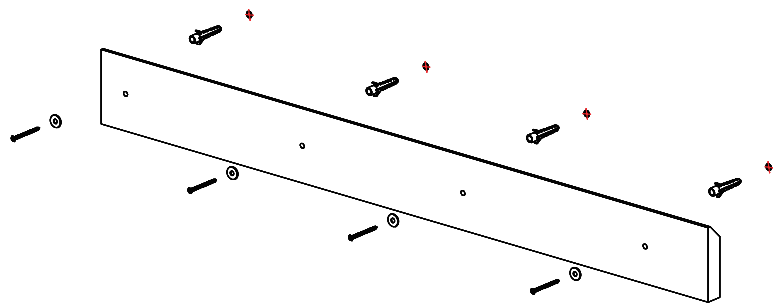
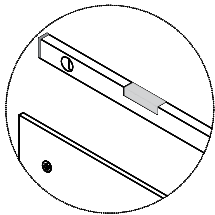
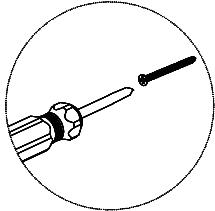
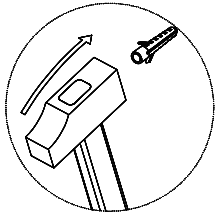
Installation

Hanging Bracket Height

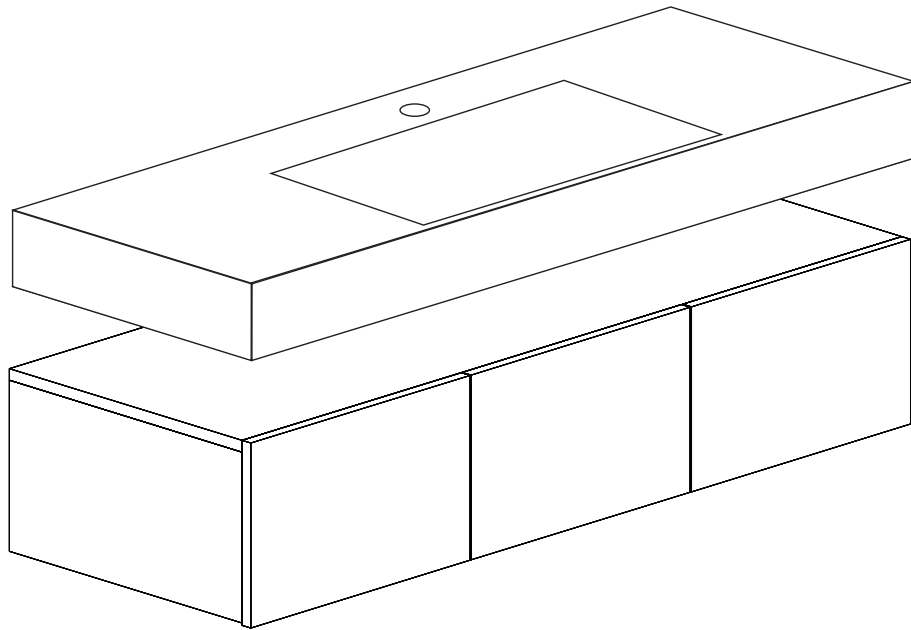


Installation

Hanging Bracket Installation



Perfect Partner



Bathroom Sink & Cabinet Combination