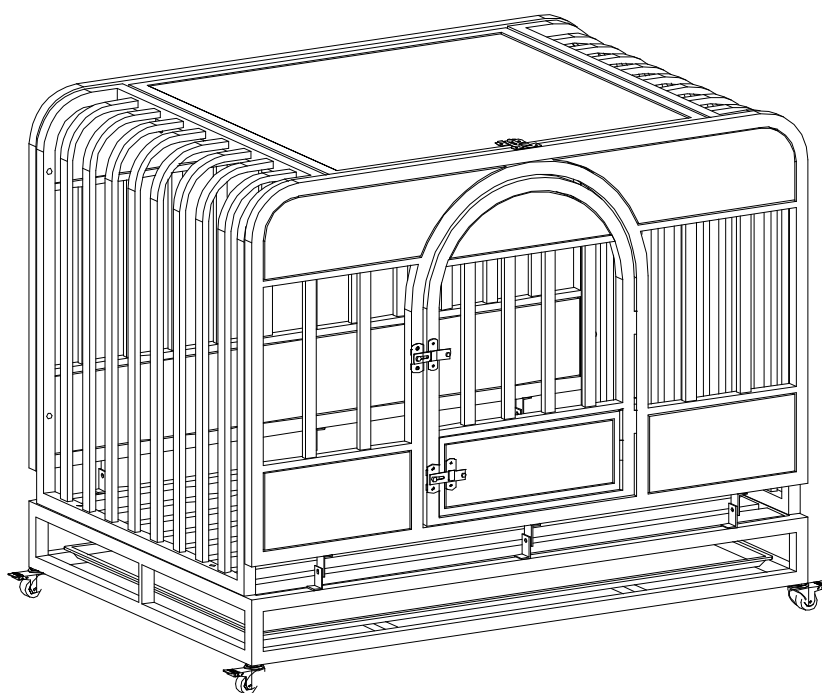


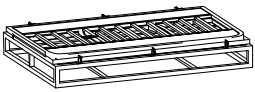



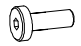
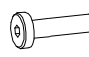









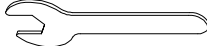
Heavy Duty Dog Crate

After-sales service Email: chenjs691230@163.com

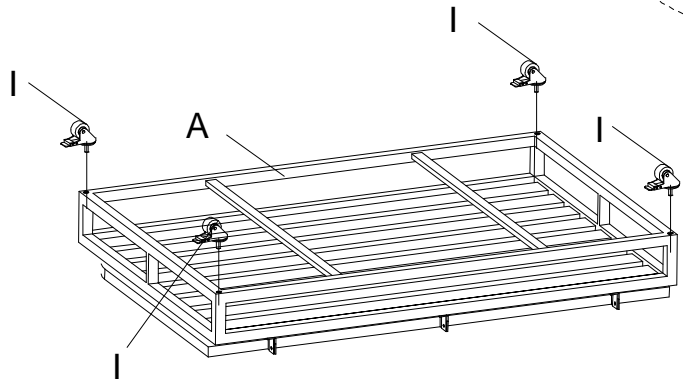
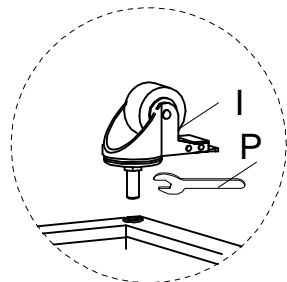


Assembly

NOTE: Two people are recommended to complete this installation

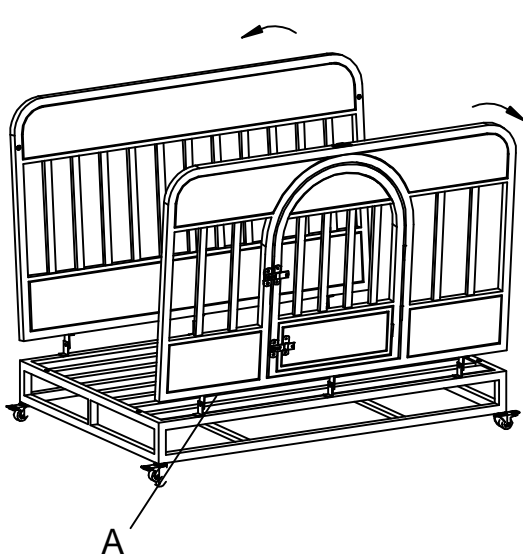
<p>A</p>  <p>x1</p>	<p>B</p>  <p>x2</p>	<p>C</p>  <p>x1</p>	<p>D</p>  <p>x2</p>
<p>E</p>  <p>M6*20MM</p> <p>x2</p>	<p>F</p>  <p>M6*28MM</p> <p>x3</p>	<p>G</p>  <p>M6*35MM</p> <p>x4</p>	<p>H</p>  <p>M6*50MM</p> <p>x4</p>
<p>I</p>  <p>x4</p>	<p>J</p>  <p>M6</p> <p>x1</p>	<p>K</p>  <p>x1</p>	<p>L</p>  <p>12MM</p> <p>x3</p>
<p>M</p>  <p>5MM</p> <p>x2</p>	<p>N</p>  <p>M6</p> <p>x13</p>	<p>O</p>  <p>M6</p> <p>x8</p>	<p>P</p>  <p>M8</p> <p>x1</p>

1

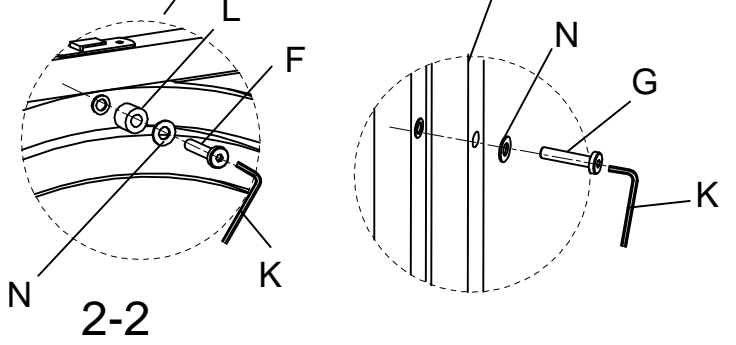
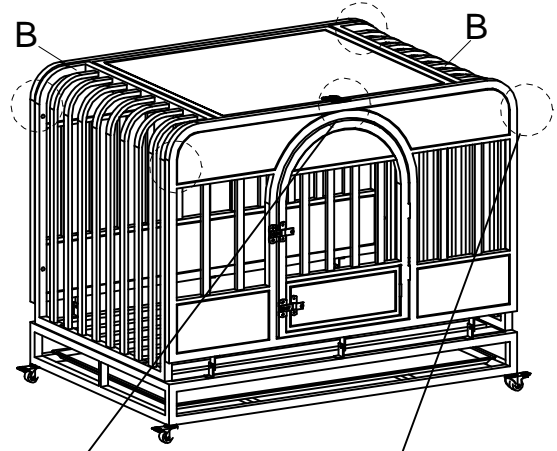


Assembly

2

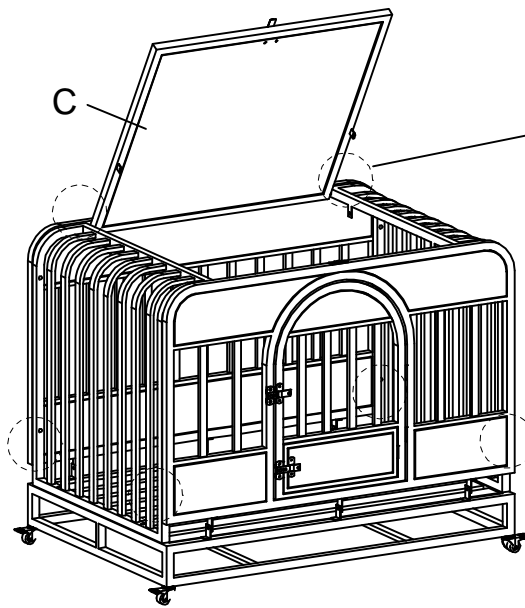


2-1

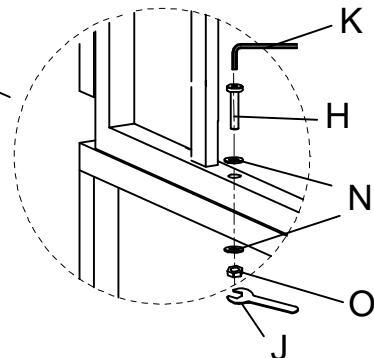
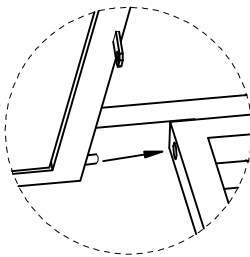


2-2

3



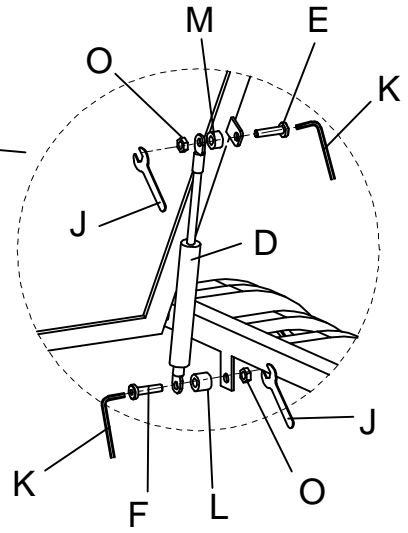
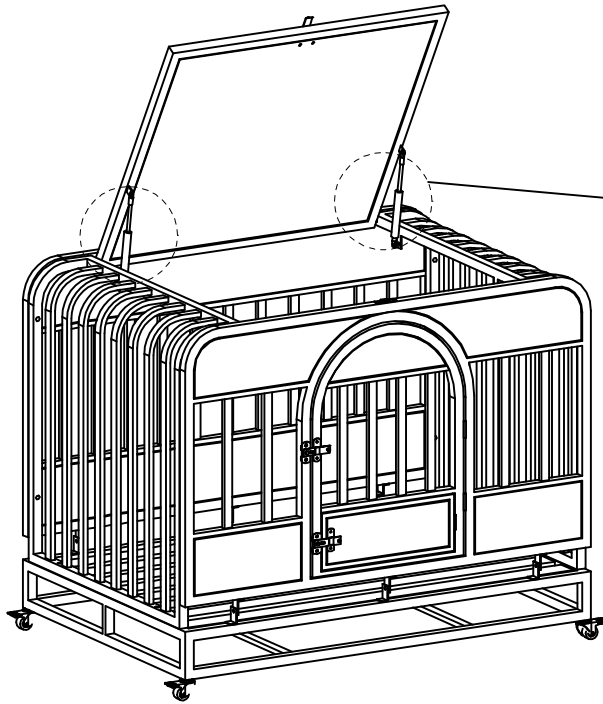
3-1



3-2

Assembly

4



5

