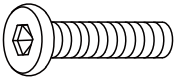



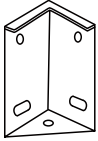

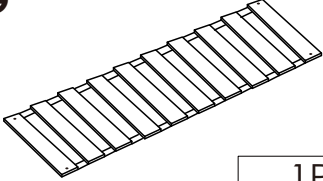
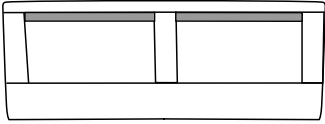
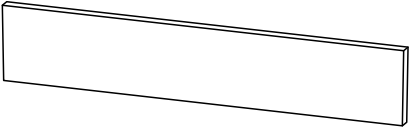
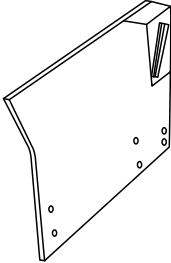
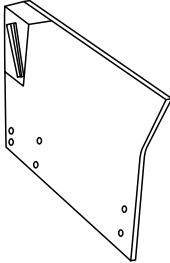
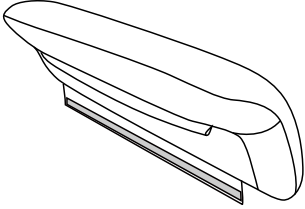
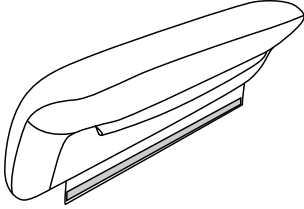
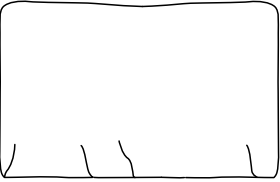
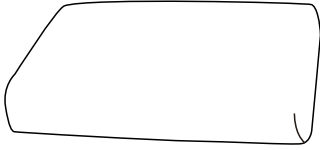

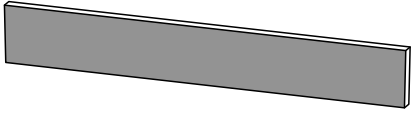
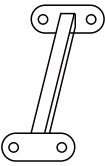
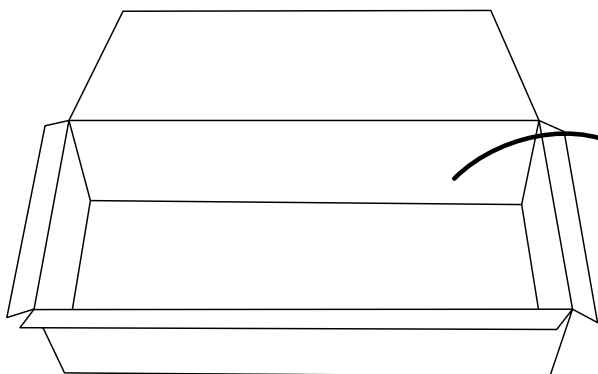
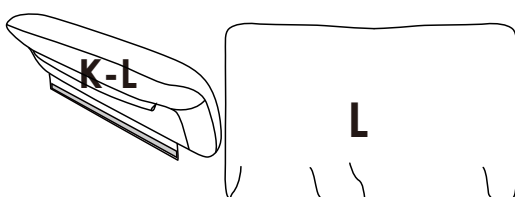


<p>A</p>  <p>M8×20mm</p> <p>24+2PCS</p>	<p>B</p>  <p>Ø8mm</p> <p>24+2PCS</p>	<p>C</p>  <p>4*25mm</p> <p>4PCS</p>	<p>D</p>  <p>M5</p> <p>1PC</p>
<p>E</p>  <p>4PCS</p>	<p>F</p>  <p>4PCS</p>	<p>G</p>  <p>1PC</p>	
<p>H</p>  <p>1PC</p>		<p>K</p>  <p>1PC</p>	
<p>I-L</p>  <p>1PC</p>	<p>I-R</p>  <p>1PC</p>		
<p>K-L</p>  <p>1PC</p>	<p>K-R</p>  <p>1PC</p>		
<p>L</p>  <p>2PCS</p>	<p>M</p>  <p>2PCS</p>		
<p>N</p>  <p>1PC</p>	<p>O</p>  <p>1PC</p>		
<p>J</p>  <p>1PC</p>			

STEP 1



A,B,C,D,E,F,G,H,K
I-L,I-R,K-L,K-R,L,M,N,O,J

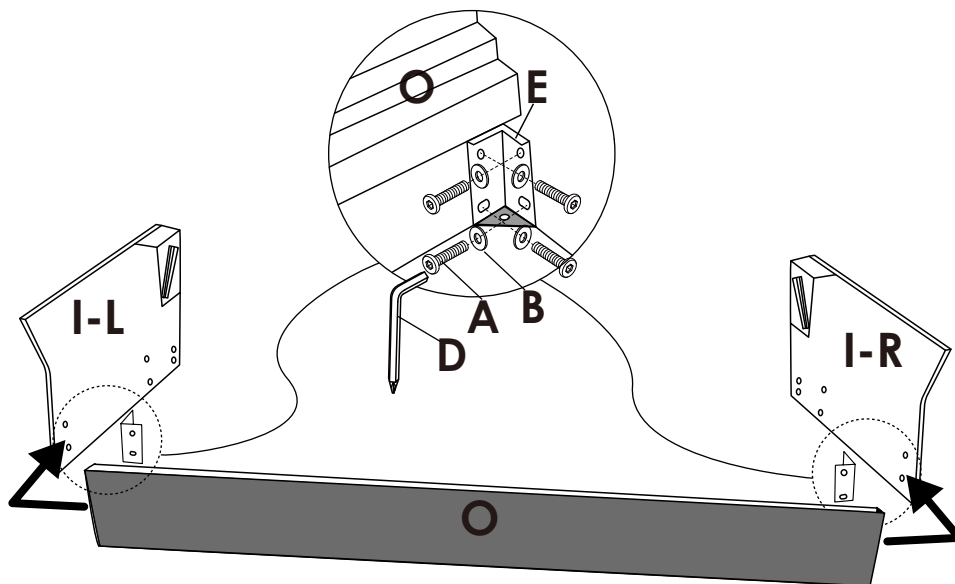


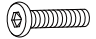



Take out all the parts in the box, and exhaust the compressed screen package to make it naturally fluffy and pat the bag, the effect will be better if it is exposed to the sun.



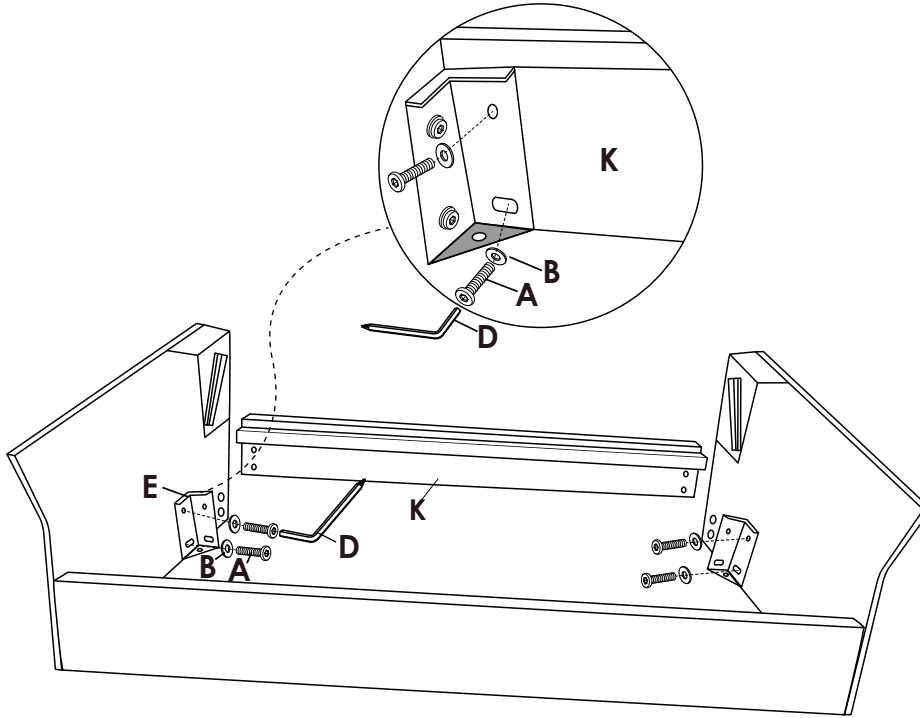
Pay attention Because of the packaging, it there is a crease on the cover, it is not the quality problem of the product. please iron it with an iron, it will not affect the use




STEP 2



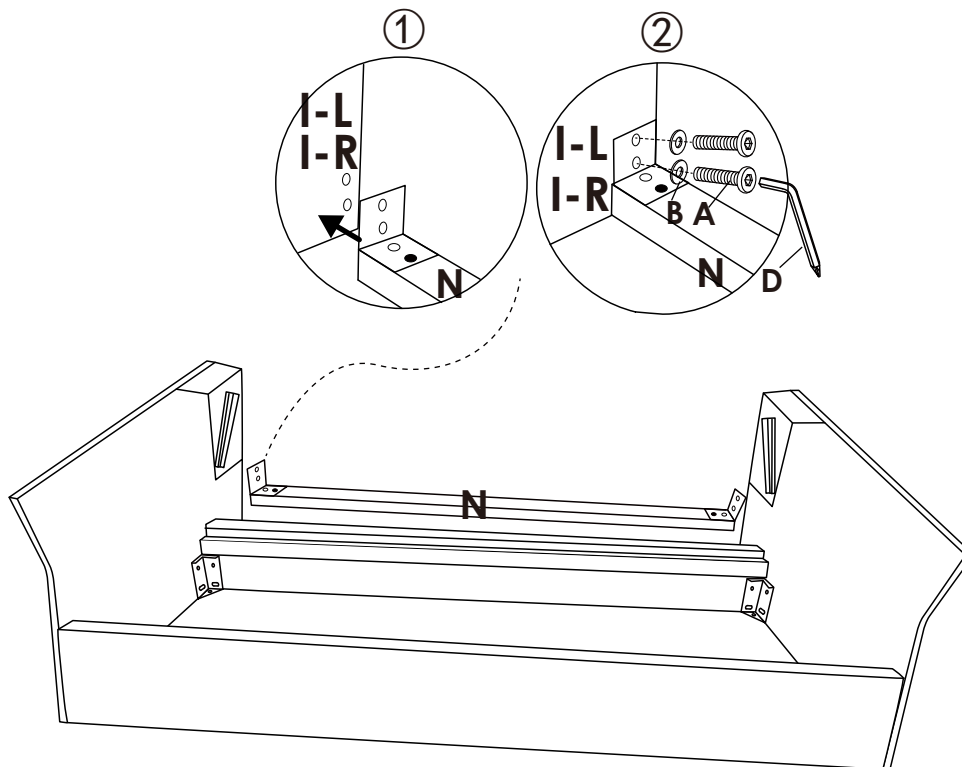
	A x 8PCS
	B x 8PCS
	D x 1PC
	E x 2PCS



STEP 3



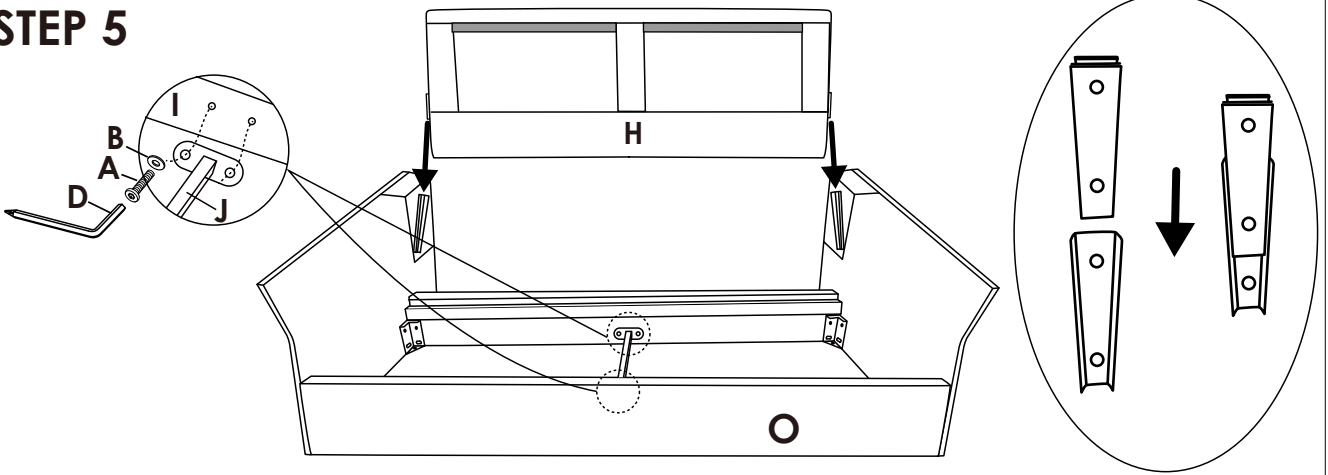
	A x 8PCS
	B x 8PCS
	E x 2PCS




STEP 4



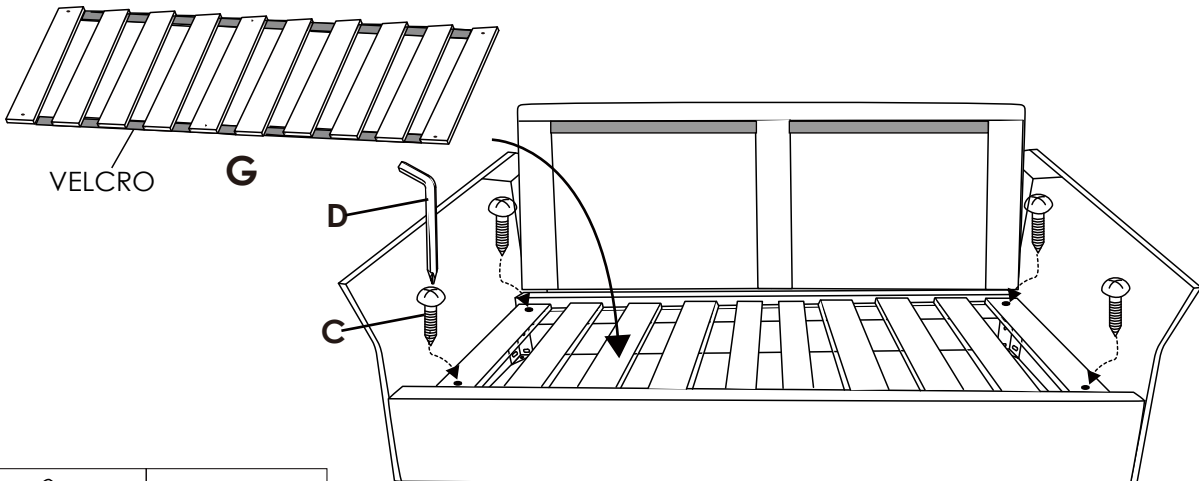
	A x 4PCS
	B x 4PCS


STEP 5



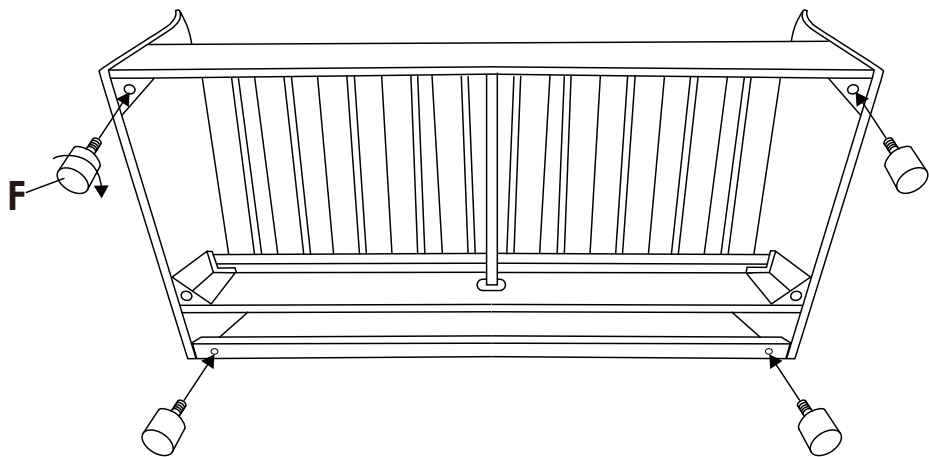
	A x 4PCS
	B x 4PCS
	J x 1PC

STEP 6



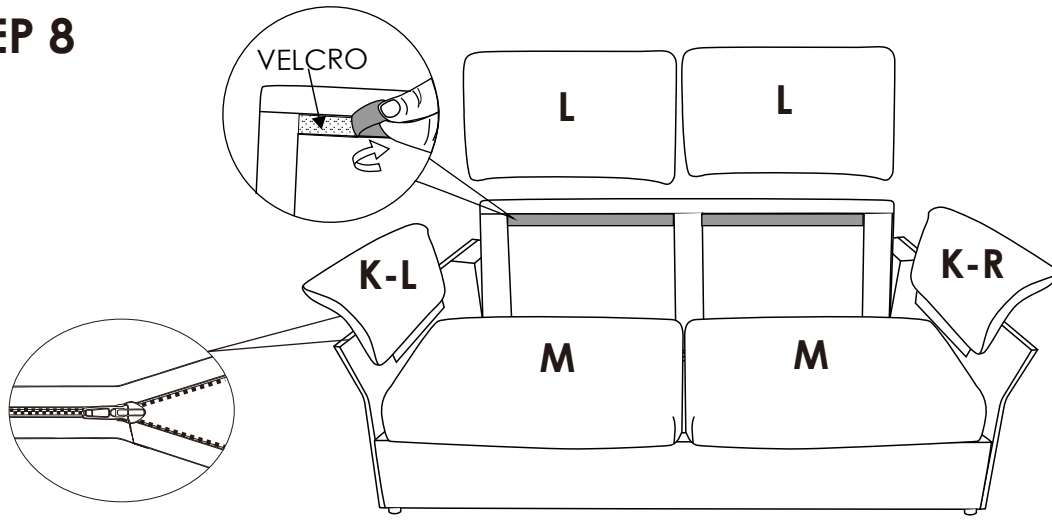
	C x 4PCS

STEP 7

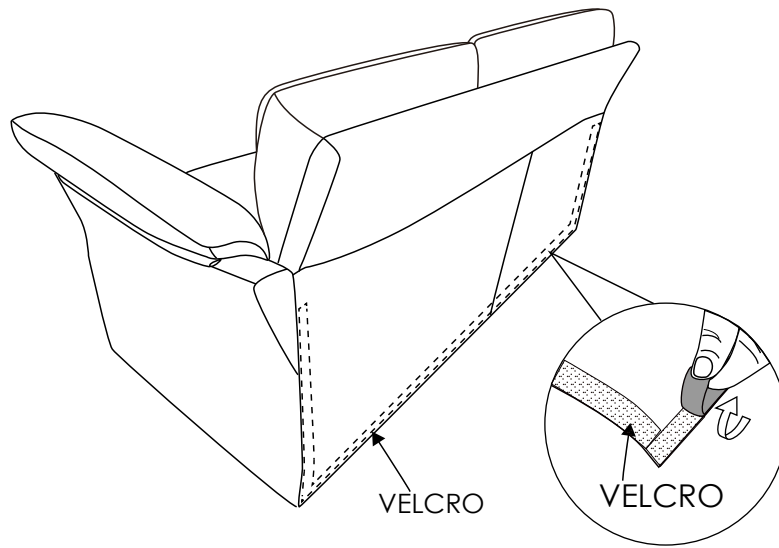


	F x 4PCS
---	-----------------

STEP 8



STEP 9



STEP 10

