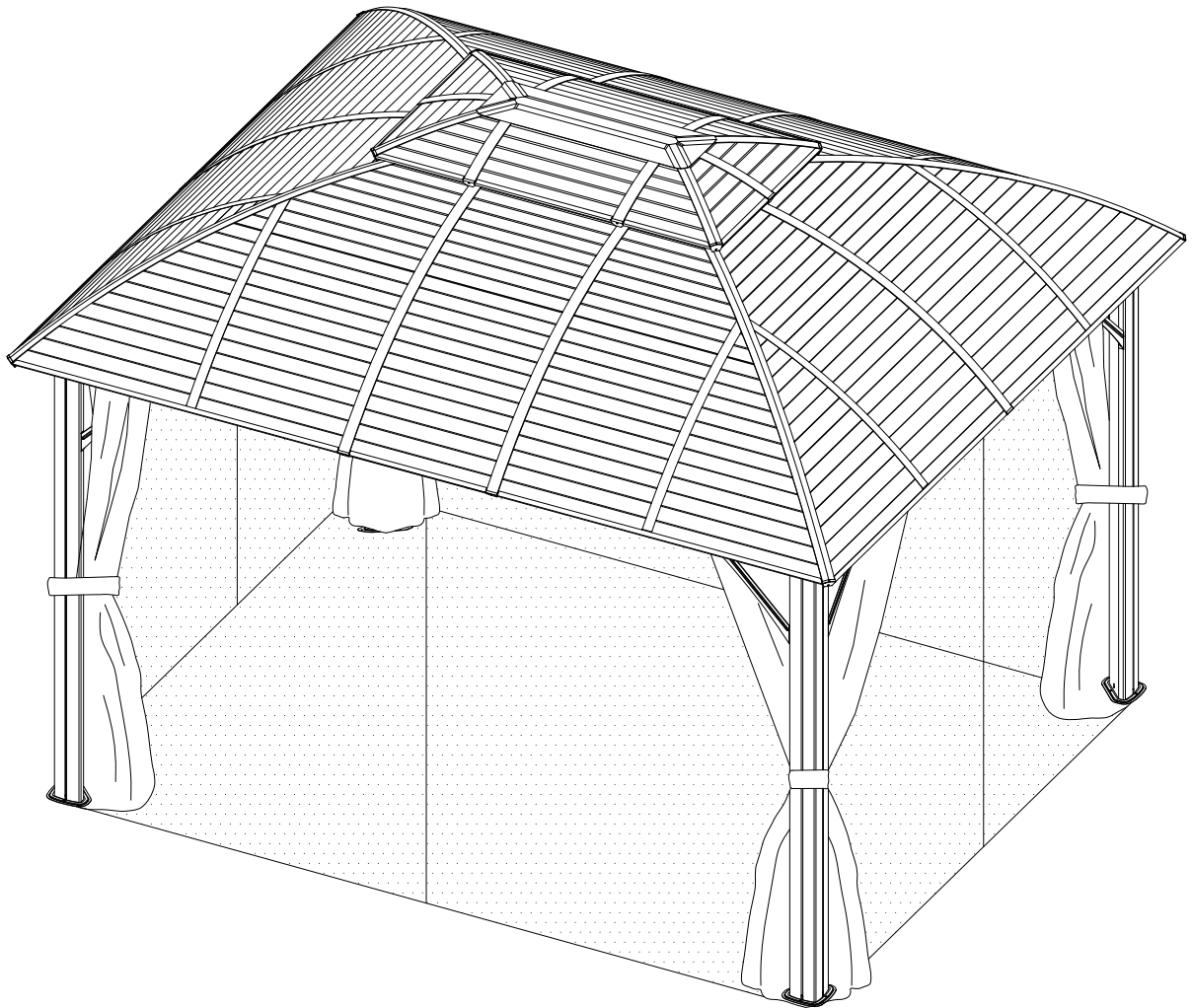




10'x12' HARDTOP GAZEBO WITH DOUBLE ROOF Assembly Instructions



Pre-assembly



1. Two or more people are required for assembly.



2. You will need one or more stepladders.



3. Wearing protective gloves is recommended.



4. You may need a safety hat.



5. Please use a Phillips screw driver.



6. For ease of construction, you may need a drill.



7. You may need a safety goggle.



8. Do not fully tighten screws prior to complete assembly.

Warning & Attention

-Try to assemble this product on the flat ground, otherwise it is difficult to carry out;

-It would be much easier to assemble the product with three or more people;

-After assembly, please check whether all screws are tightened, to prevent parts from falling apart.

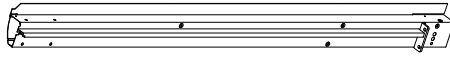
Part List



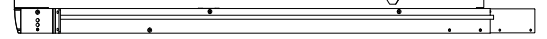
(A) 4x POLE



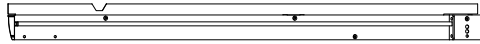
(C) 2x BEAM



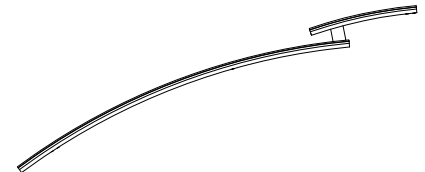
(C1) 2x BEAM



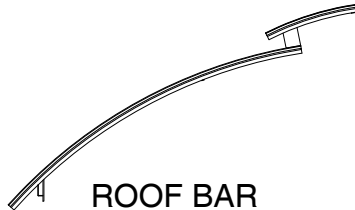
(C2) 2x BEAM



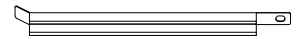
(C3) 2x BEAM



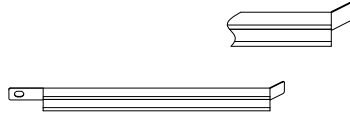
(D) 4x CORNER ROOF BAR



(E) 6x ROOF BAR



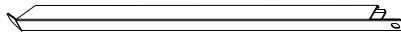
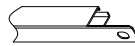
(F) 4x FINISHING BAR



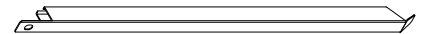
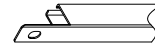
(F1) 4x FINISHING BAR



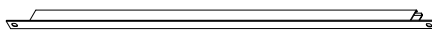
(F2) 2x FINISHING BAR



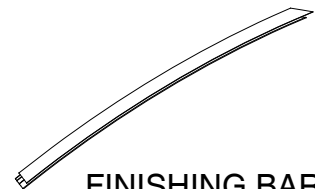
(G) 4x FINISHING BAR



(G1) 4x FINISHING BAR



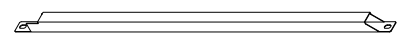
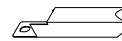
(G2) 2x FINISHING BAR



(H) 4x FINISHING BAR



(H1) 4x ROOF BAR



(J) 4x SOLIDIFYING BAR

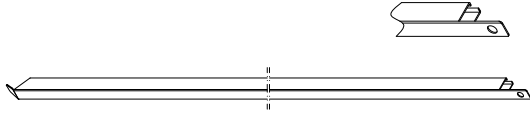
Part List



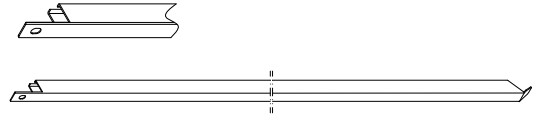
J1 4x SOLIDIFYING BAR



J2 2x SOLIDIFYING BAR



K 4x FINISHING BAR



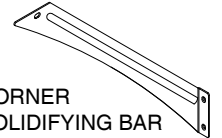
K1 4x FINISHING BAR



K2 2x FINISHING BAR

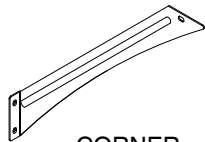


B 4x PLATE

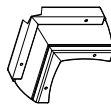


CORNER
SOLIDIFYING BAR

L 4x



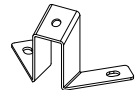
L1 4x
CORNER
SOLIDIFYING
BAR



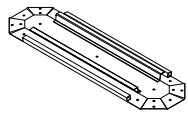
M 4x CORNE
COVER



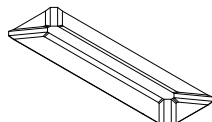
N 4x JOINT
COVER



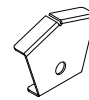
P 4x SUPPORTING
PART



Q 1x INSIDE ROOF
CONNECTOR



Q1 1x OUTSIDE ROOF
CONNECTOR



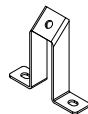
R 12x FINISHING
END



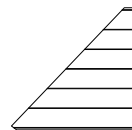
R1 6x FINISHING
END



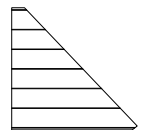
R2 12x FINISHING
END



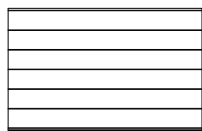
S 8x SUPPORTING
PART



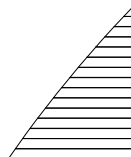
T 4x PANELS



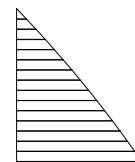
T1 4x PANELS



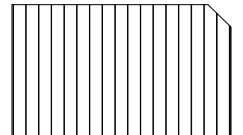
T2 2x PANELS



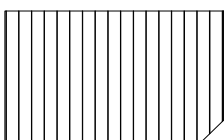
U 4x PANELS



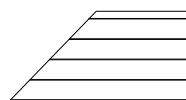
U1 4x PANELS



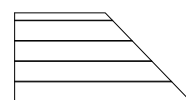
V 4x PANELS



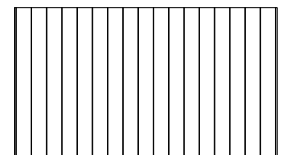
V1 4x PANELS



V2 4x PANELS

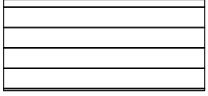

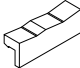
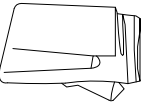
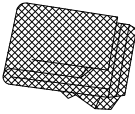
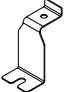
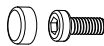

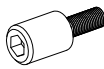


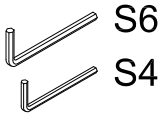


V3 4x PANELS



W 2x PANELS

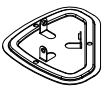
Part List

 W1 2x PANELS	 X 104x HOOK	 Y 20x PLASTIC LOCK	 Z 4x SOLID SIDEWALL
 Z1 4x MOSQUITO NETTING	 AA 4x JOINT COVER	 1 150x SCREWS	 2 25x SCREWS
 3 8x SCREWS	 4 32x SCREWS	 5 4x SCREWS	 6 1x ALLEN KEY

Parts Required



A 4x



B 4x



1 12x

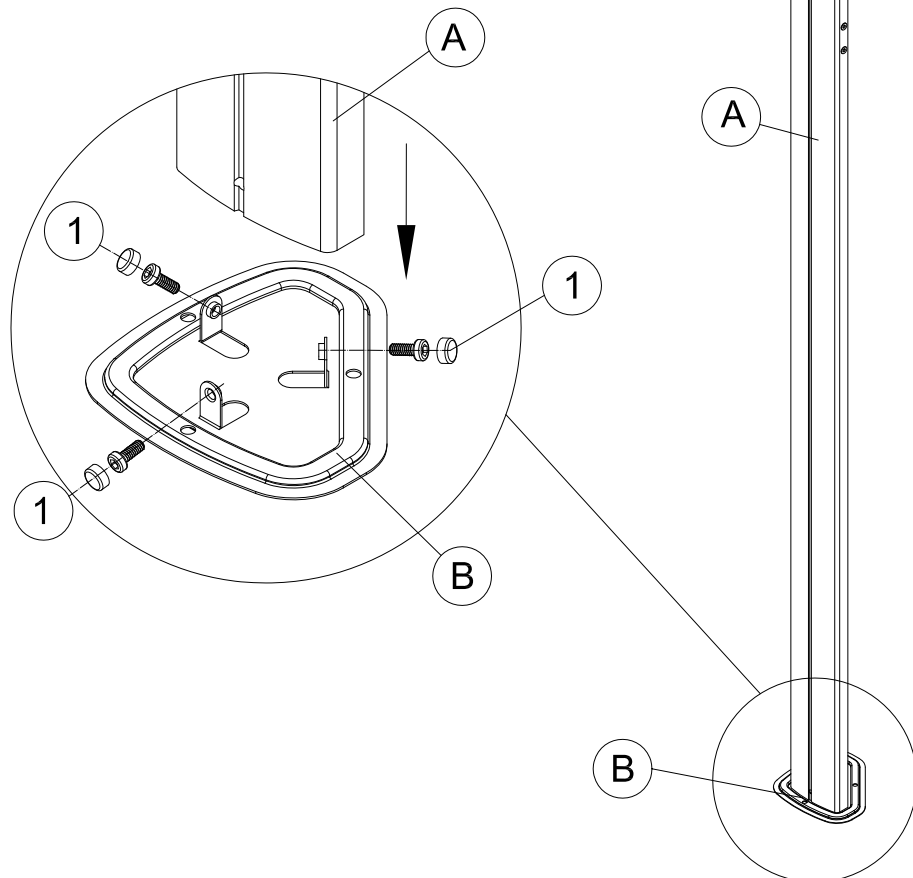


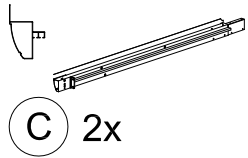
6 1x

4

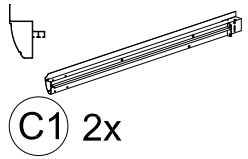
Step 1:

Set up poles (Part A) with stand plates (Part B) using screws 1# as shown in diagram.

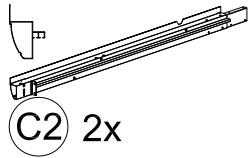




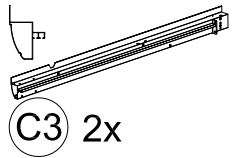
C 2x



C1 2x



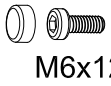
C2 2x



C3 2x



X 104x



1 16x



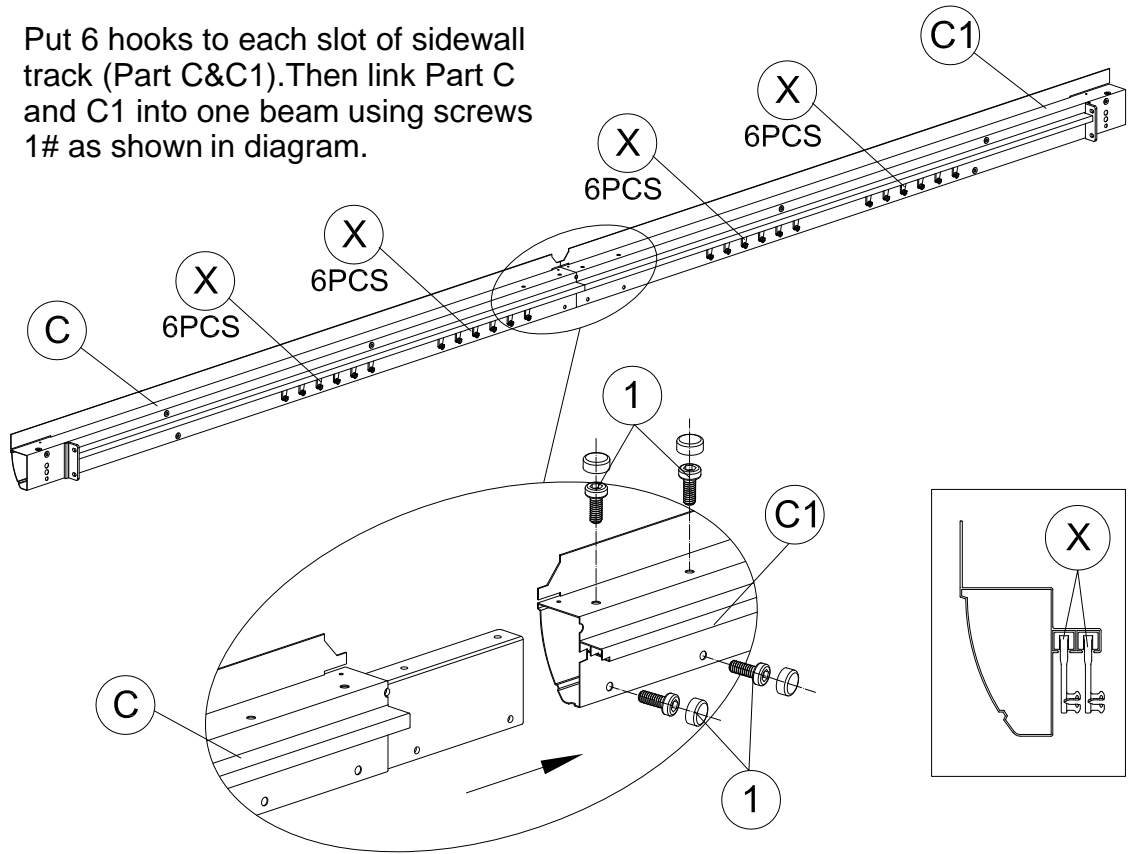
6 1x

Parts Required

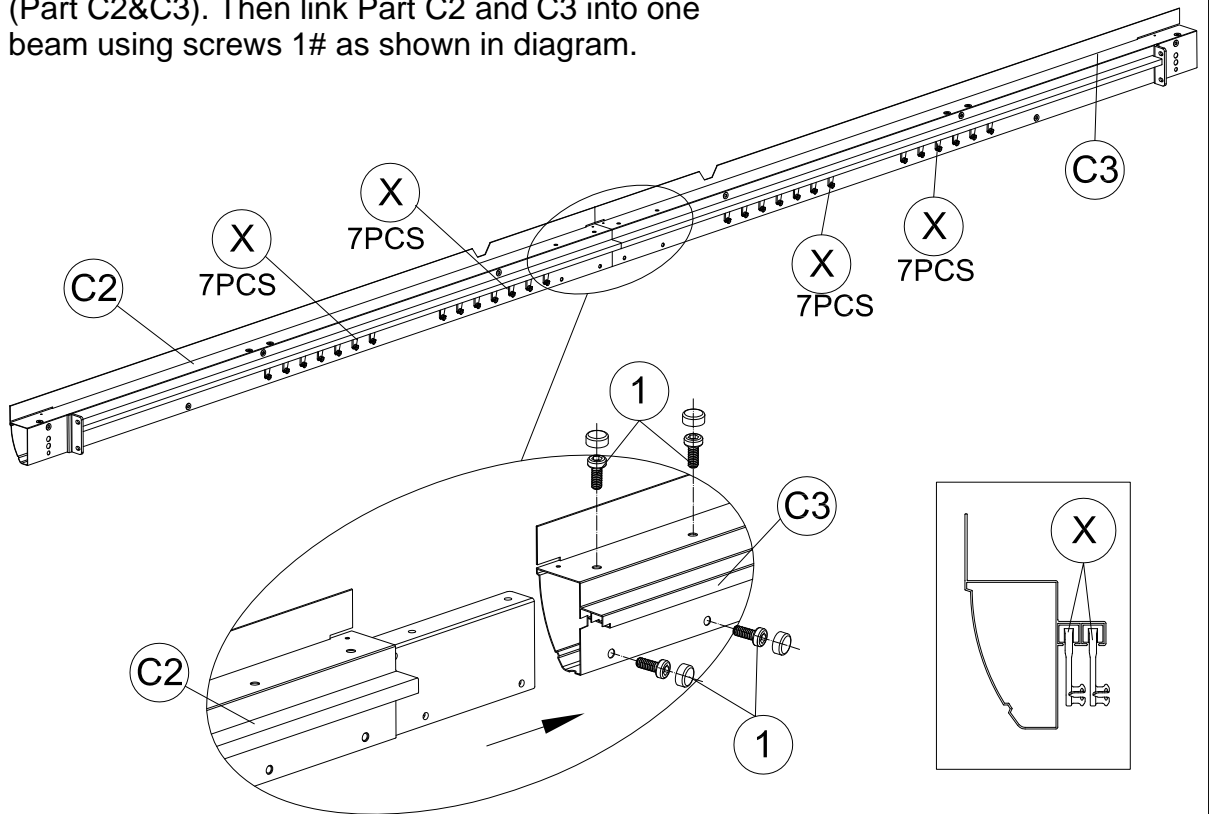
5

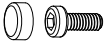


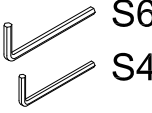
Step 2:

Put 6 hooks to each slot of sidewall track (Part C&C1). Then link Part C and C1 into one beam using screws 1# as shown in diagram.



Put 7 hooks to each slot of sidewall track (Part C2&C3). Then link Part C2 and C3 into one beam using screws 1# as shown in diagram.

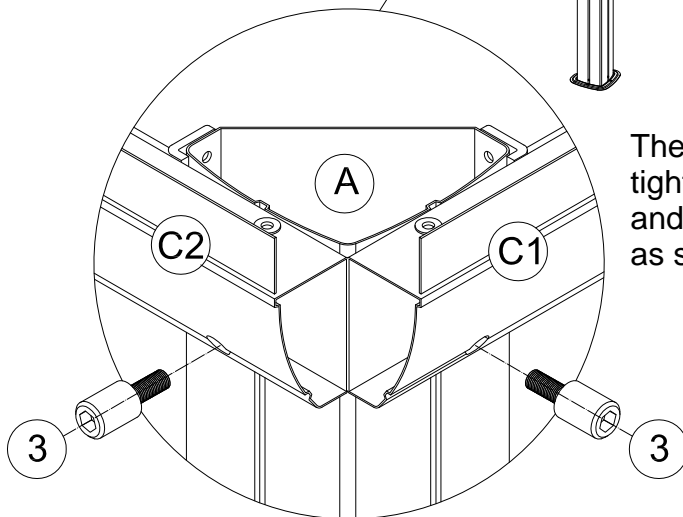
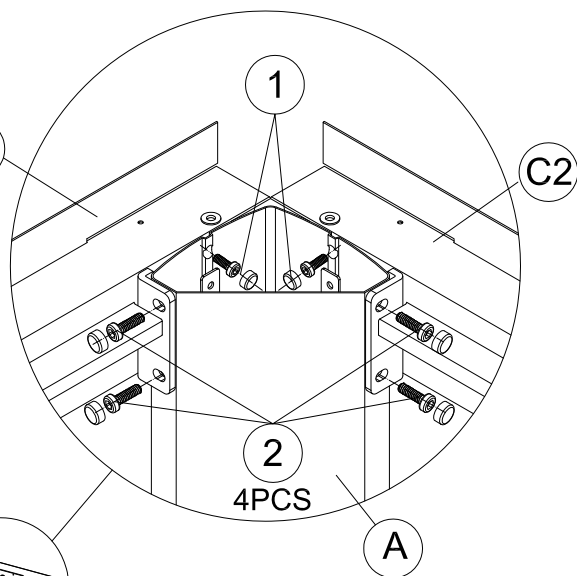
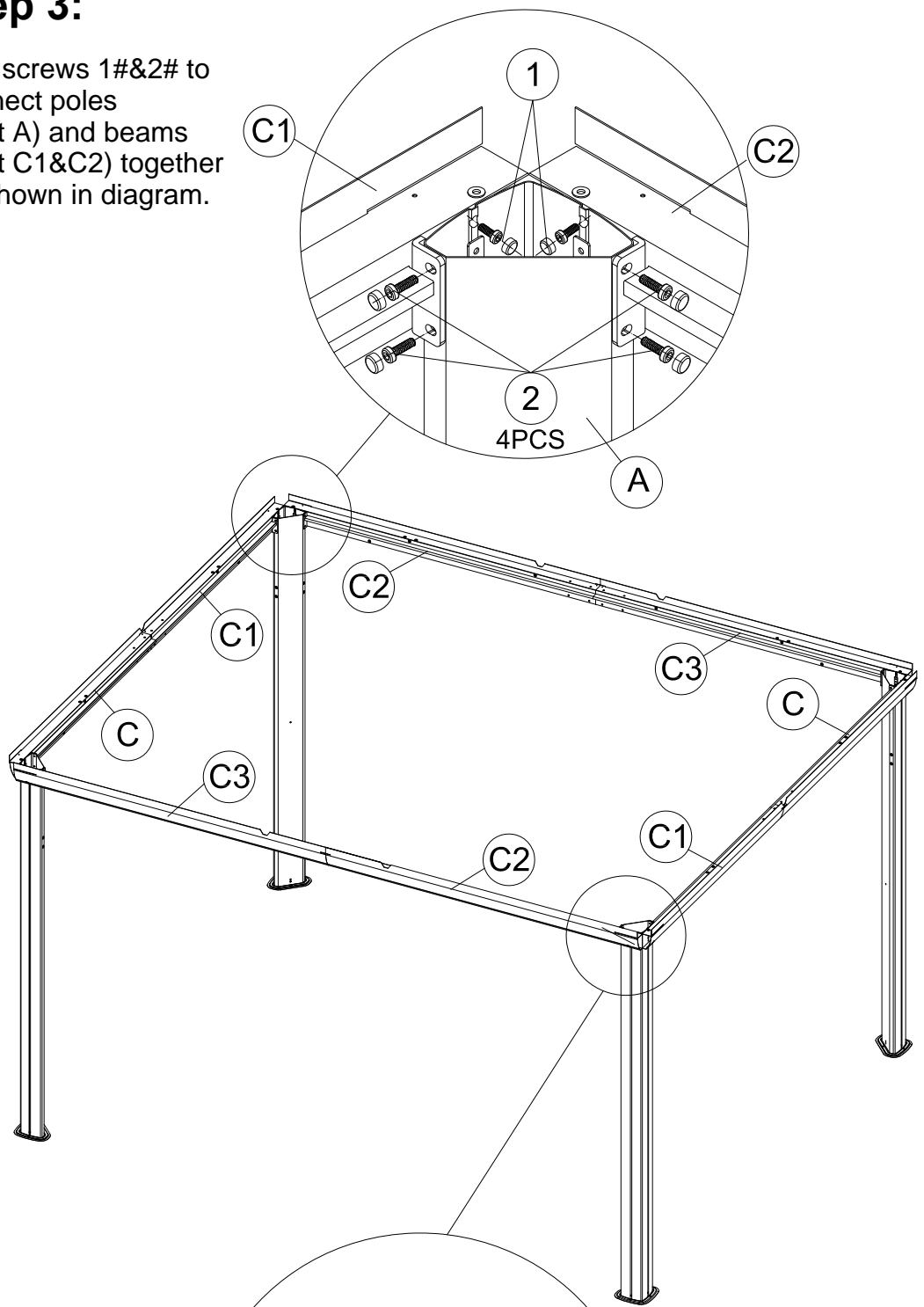


-  M6x12
- 1** 8x
-  M6x16
- 2** 16x
-  M6x15
- 3** 8x
-  S6
S4
- 6** 1x

Parts Required

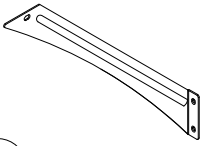
Step 3:

Use screws 1#&2# to connect poles (Part A) and beams (Part C1&C2) together as shown in diagram.

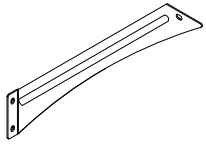


Then use screws 3# to tighten poles (Part A) and beams (Part C1&C2) as shown in diagram.

6



L 4x

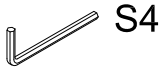


L1 4x



M6x12

1 24x



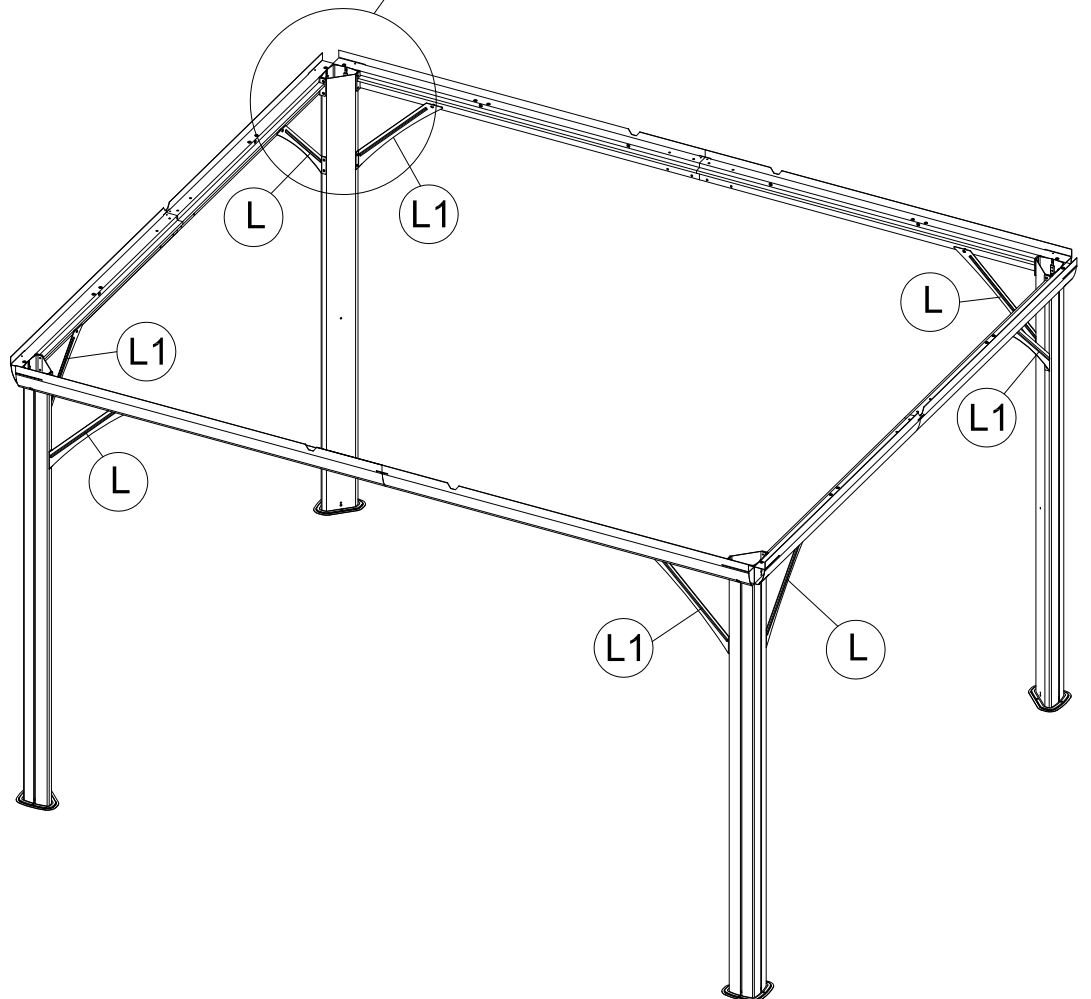
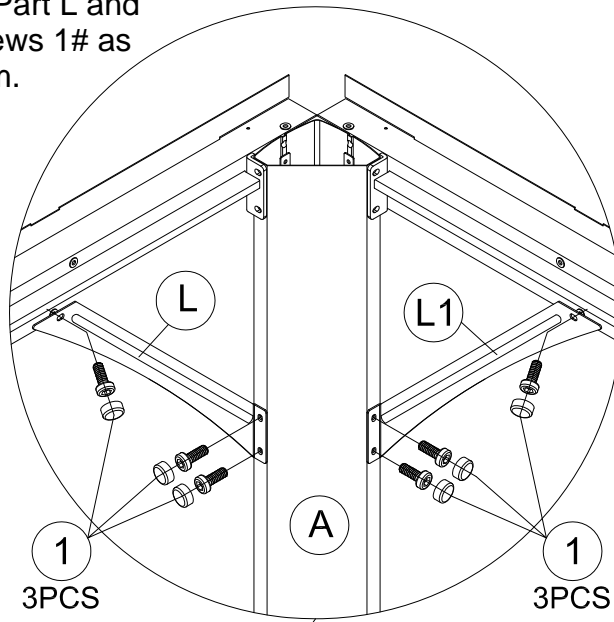
S4

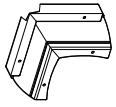
6 1x

Parts Required

Step 4:

Affix the frame with corner solidifying bars (Part L and L1) by using screws 1# as shown in diagram.

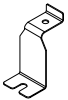




M 4x



N 4x



AA 4x



ST4.8x10

4 24x

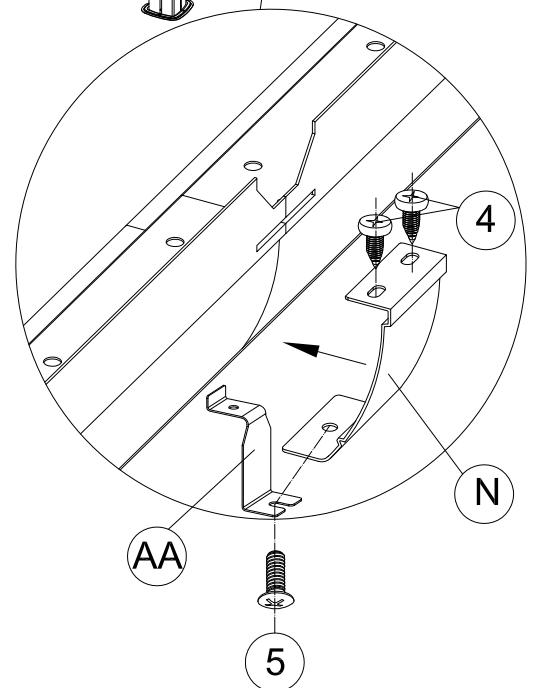
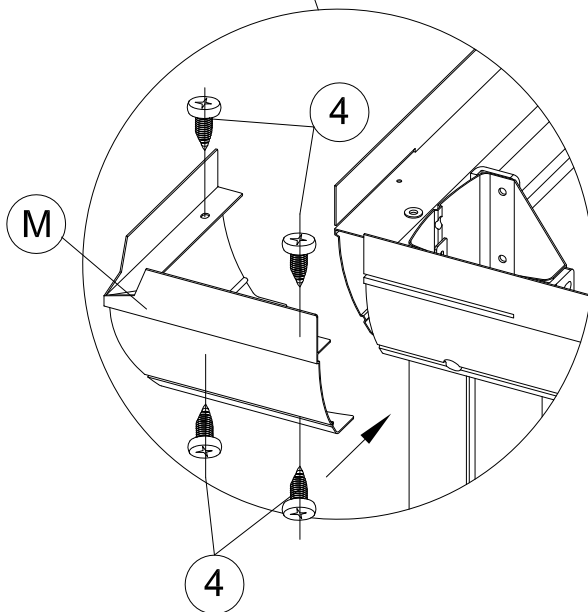
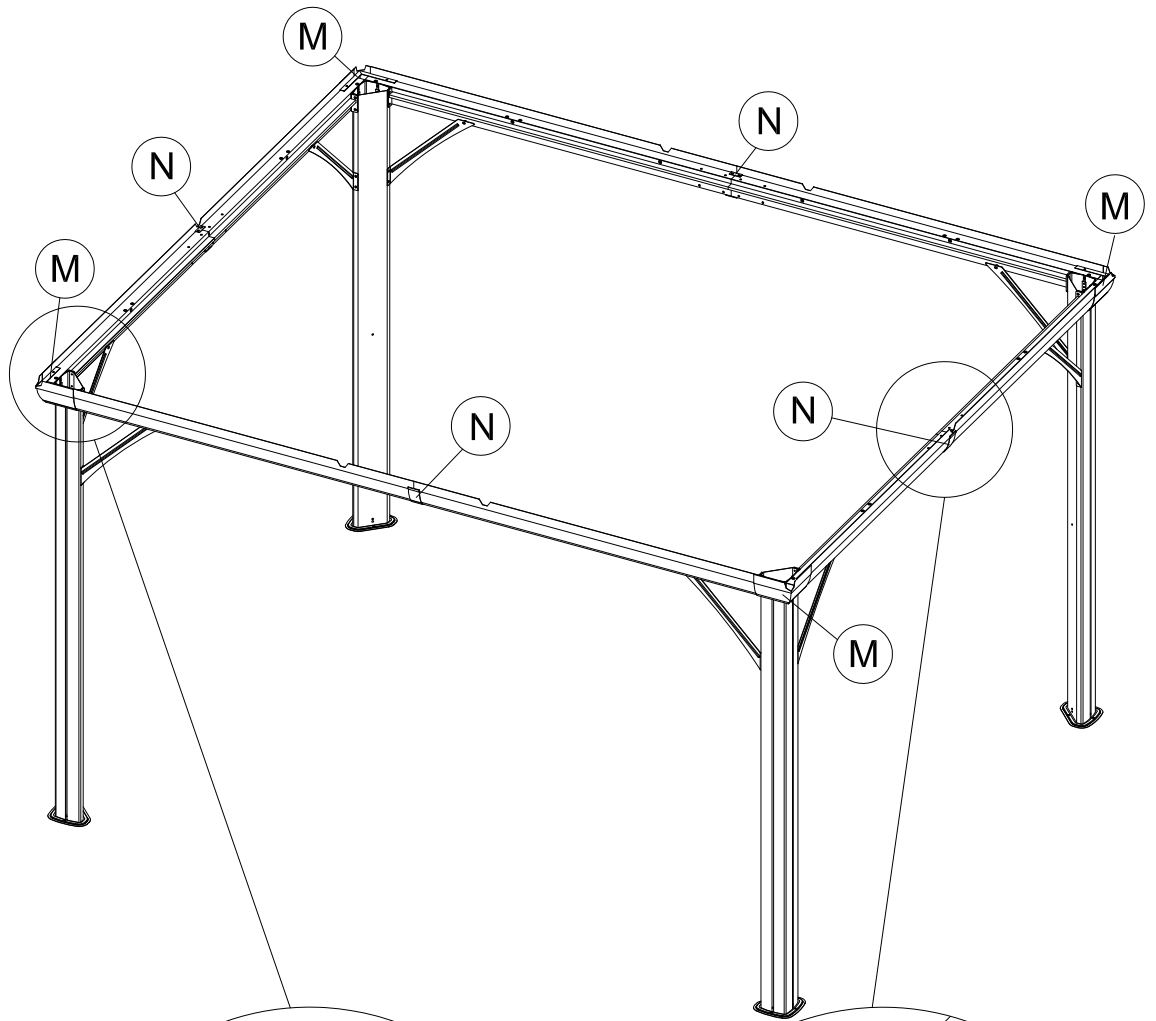


M5x10

5 4x

Parts Required

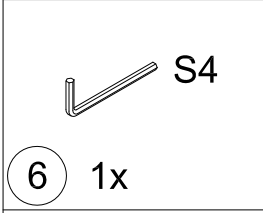
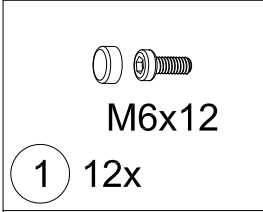
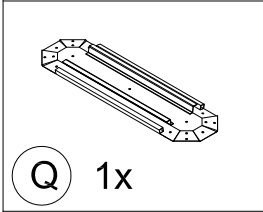
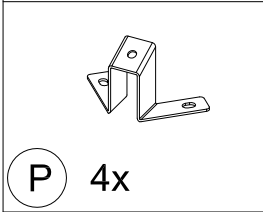
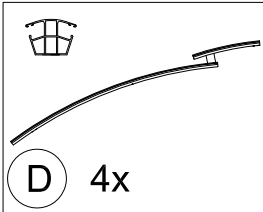
Step 5:



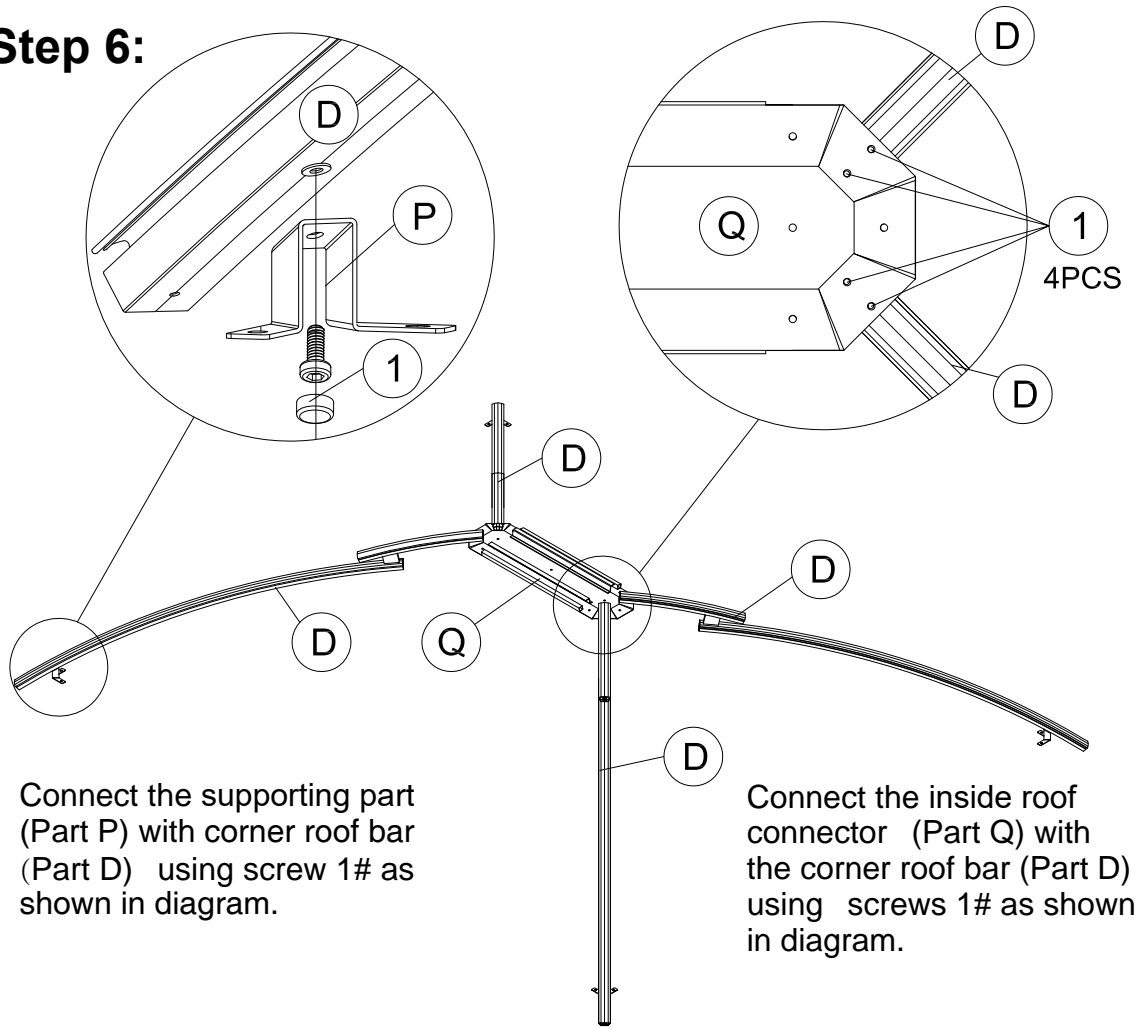
8

Finish connecting beams using corner covers (Part M) and screws 4# as shown in diagram.

Affix middle beams using joint cover (Part N) and screws 4#, then fix part AA and part N together on the beam with screws 5# as shown in diagram.

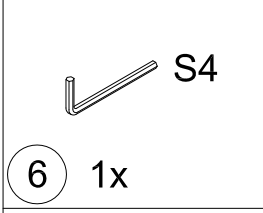
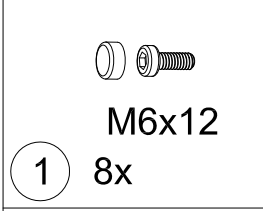


Step 6:

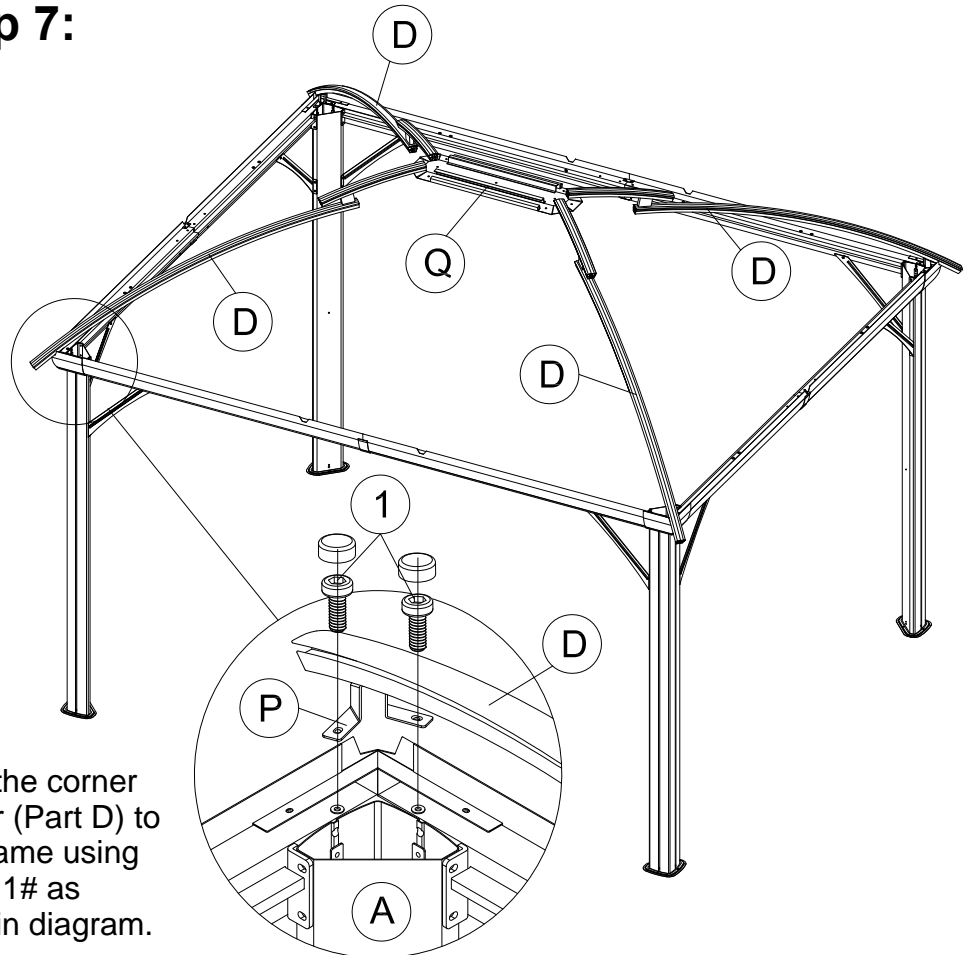


Connect the supporting part (Part P) with corner roof bar (Part D) using screw 1# as shown in diagram.

Connect the inside roof connector (Part Q) with the corner roof bar (Part D) using screws 1# as shown in diagram.

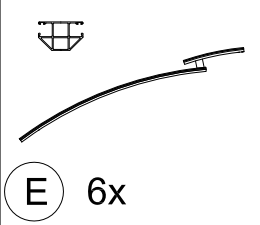


Step 7:



Attach the corner roof bar (Part D) to main frame using screws 1# as shown in diagram.

Parts Required



E 6x



1 6x



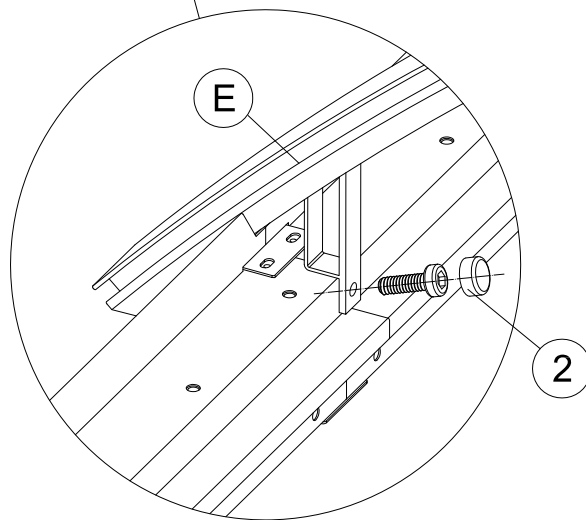
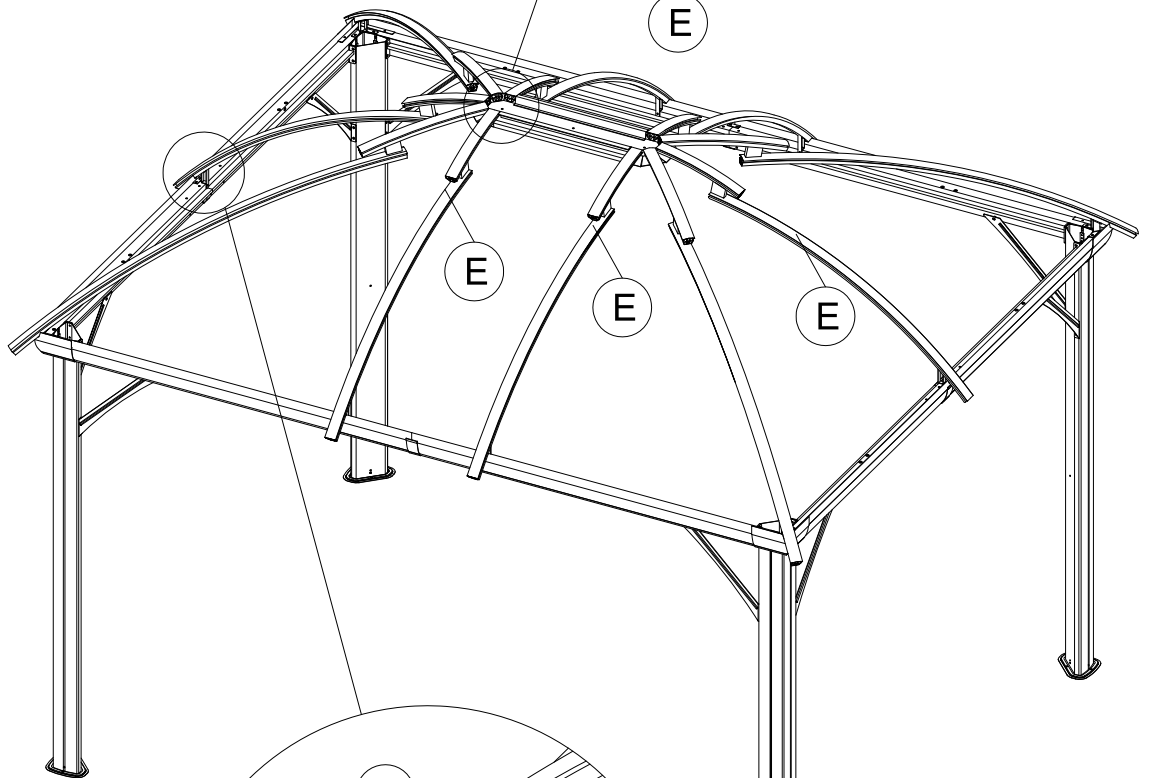
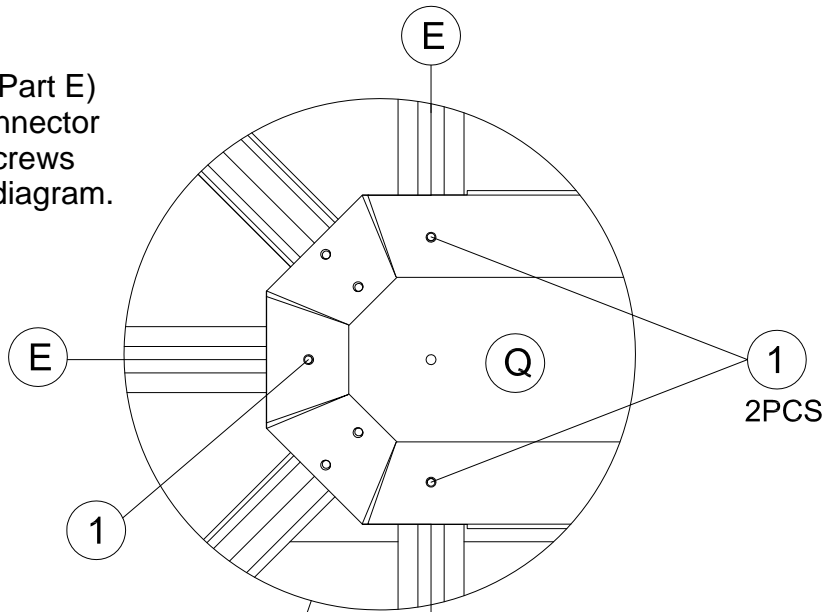
2 6x



6 1x

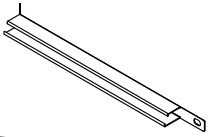
Parts Required

Step 8:
Attach roof bar (Part E)
to inside roof connector
(Part Q) using screws
1# as shown in diagram.

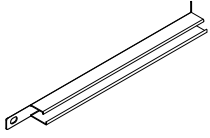


Attach roof bar (Part E) to
main frame using screws
2# as shown in diagram.

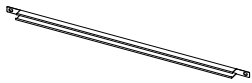
Parts Required



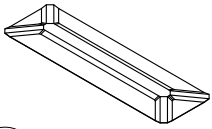
(F) 4x



(F1) 4x



(F2) 2x



(Q1) 1x



(R) 4x



(R1) 6x



M6x12

(1) 10x



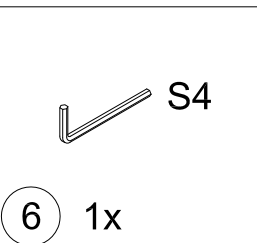
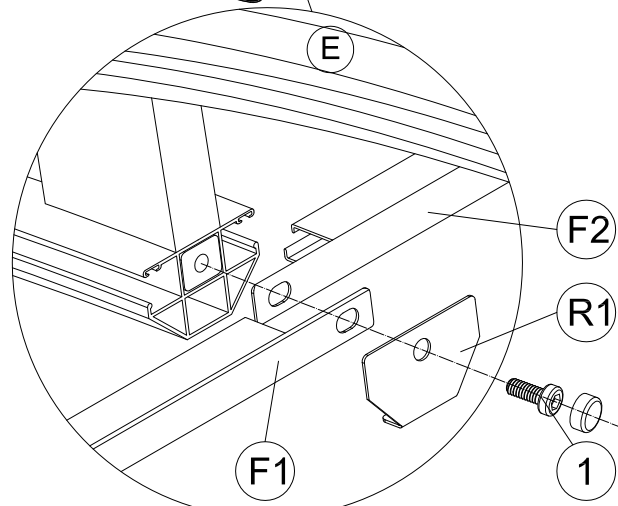
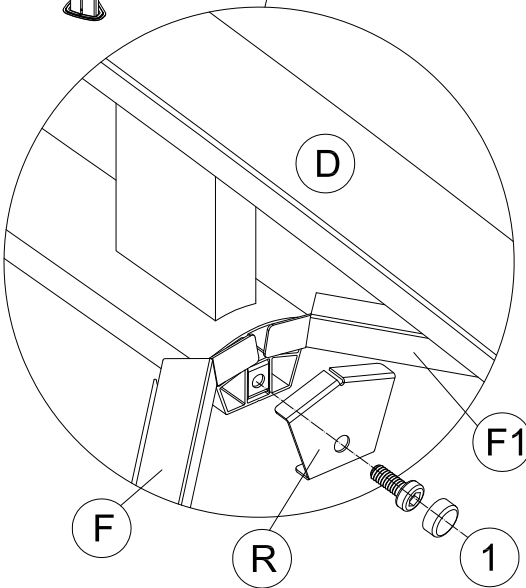
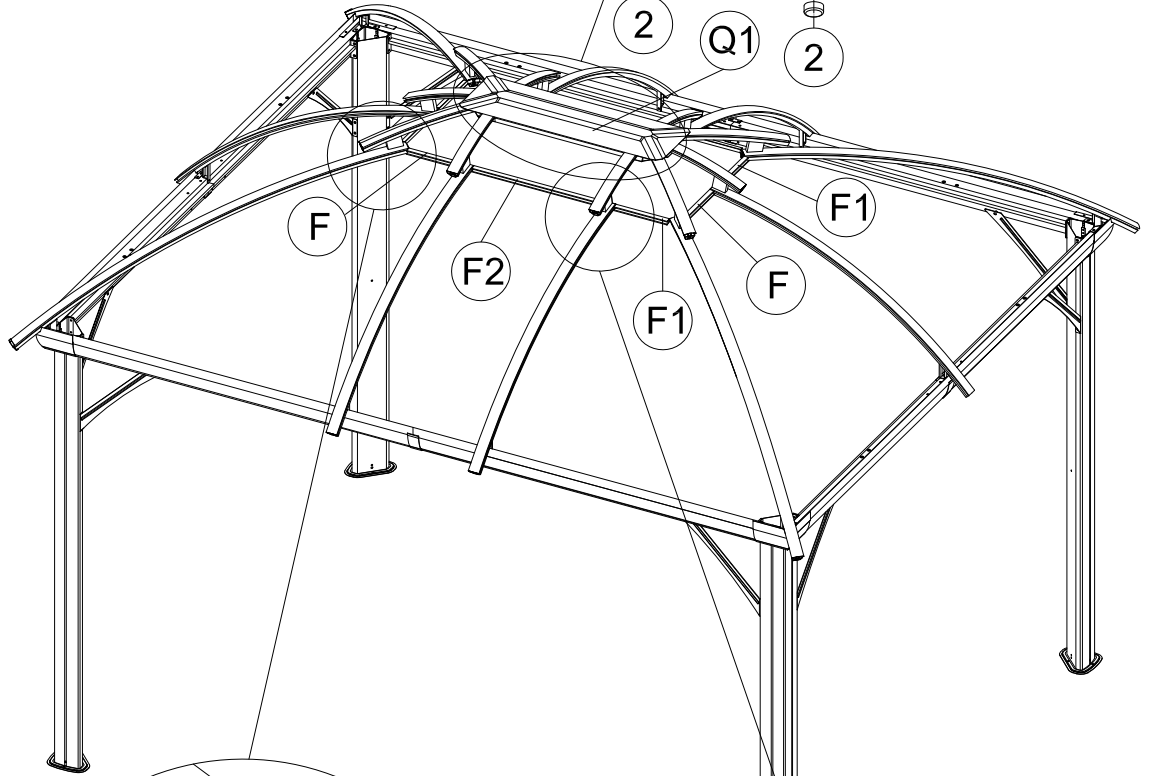
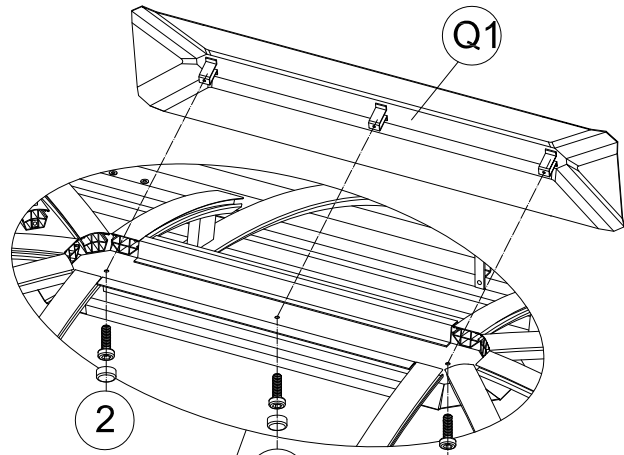
M6x16

(2) 3x

11

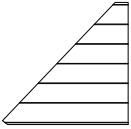
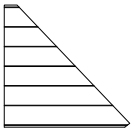
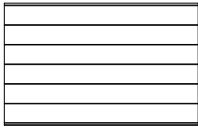
Step 9:

Connect the outside roof connector (Part Q1) to inside roof (Part Q) using screws 2# as shown in diagram.

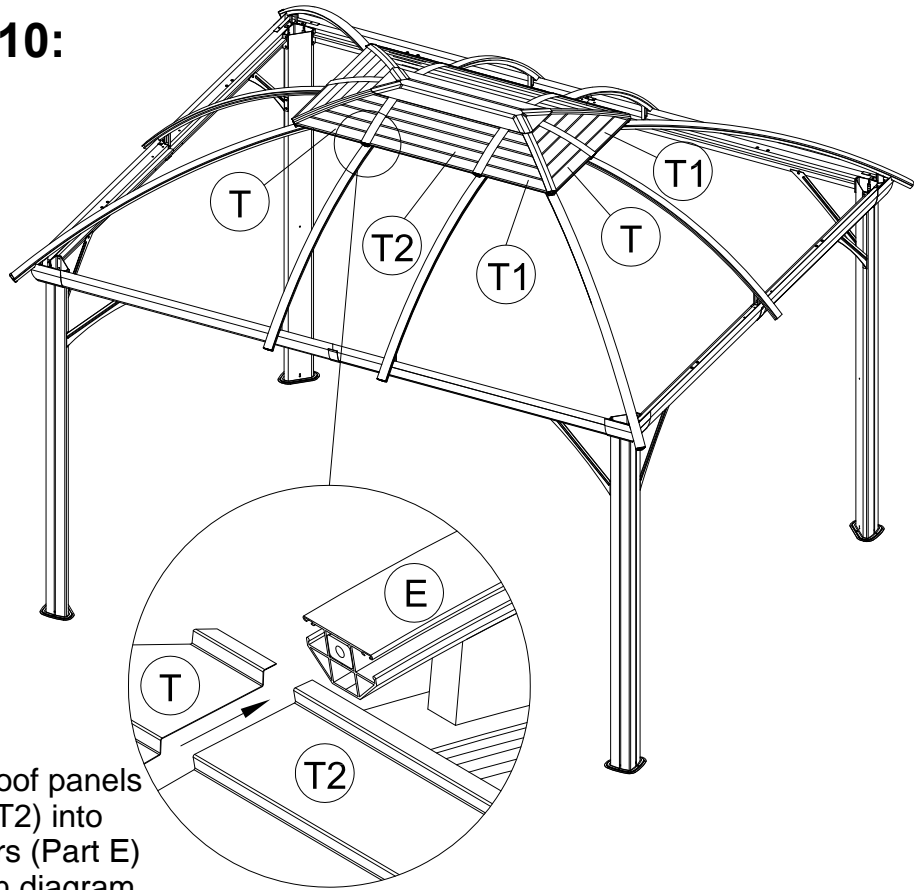


(6) 1x


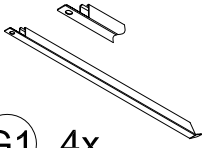
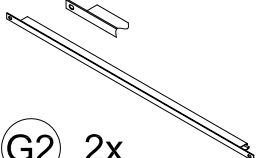


Affix finishing bars (Part F, F1 and F2) to roof bars (Part D&E) using finishing end (Part R&R1) and screws 1# as shown in diagram.


(T) 4x

(T1) 4x

(T2) 2x
Parts Required

Step 10:

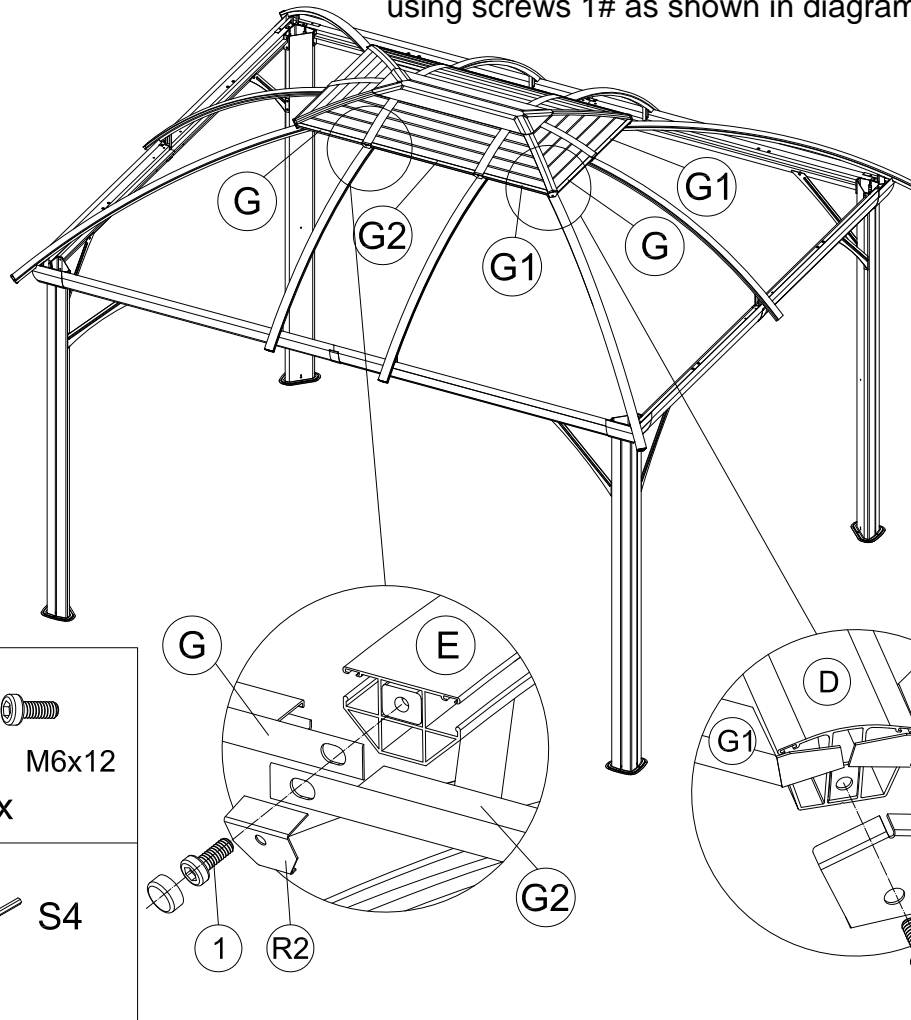


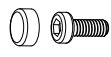

Insert the roof panels (Part T,T1,T2) into the roof bars (Part E) as shown in diagram.

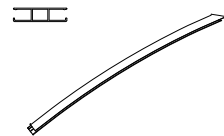
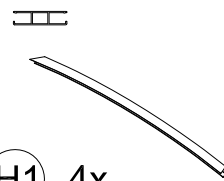
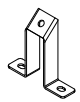



(G) 4x

(G1) 4x

(G2) 2x

(R) 4x

(R2) 6x
12

Step 11:

Attach finishing bars (Part G, G1&G2) to roof bars (Part E&D) with finishing end (Part R&R2) using screws 1# as shown in diagram.

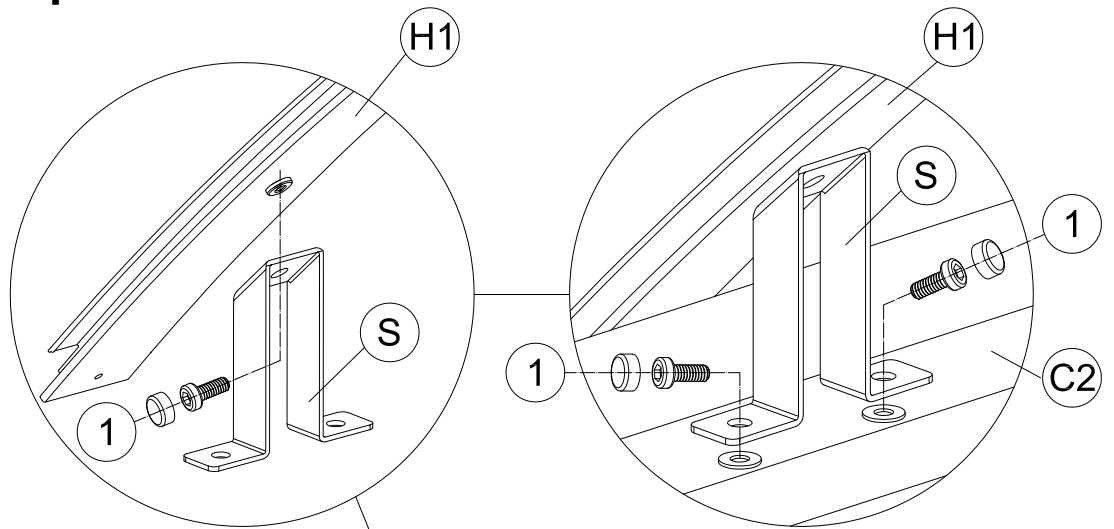


	M6x12
(1) 10x	
	S4
(6) 1x	

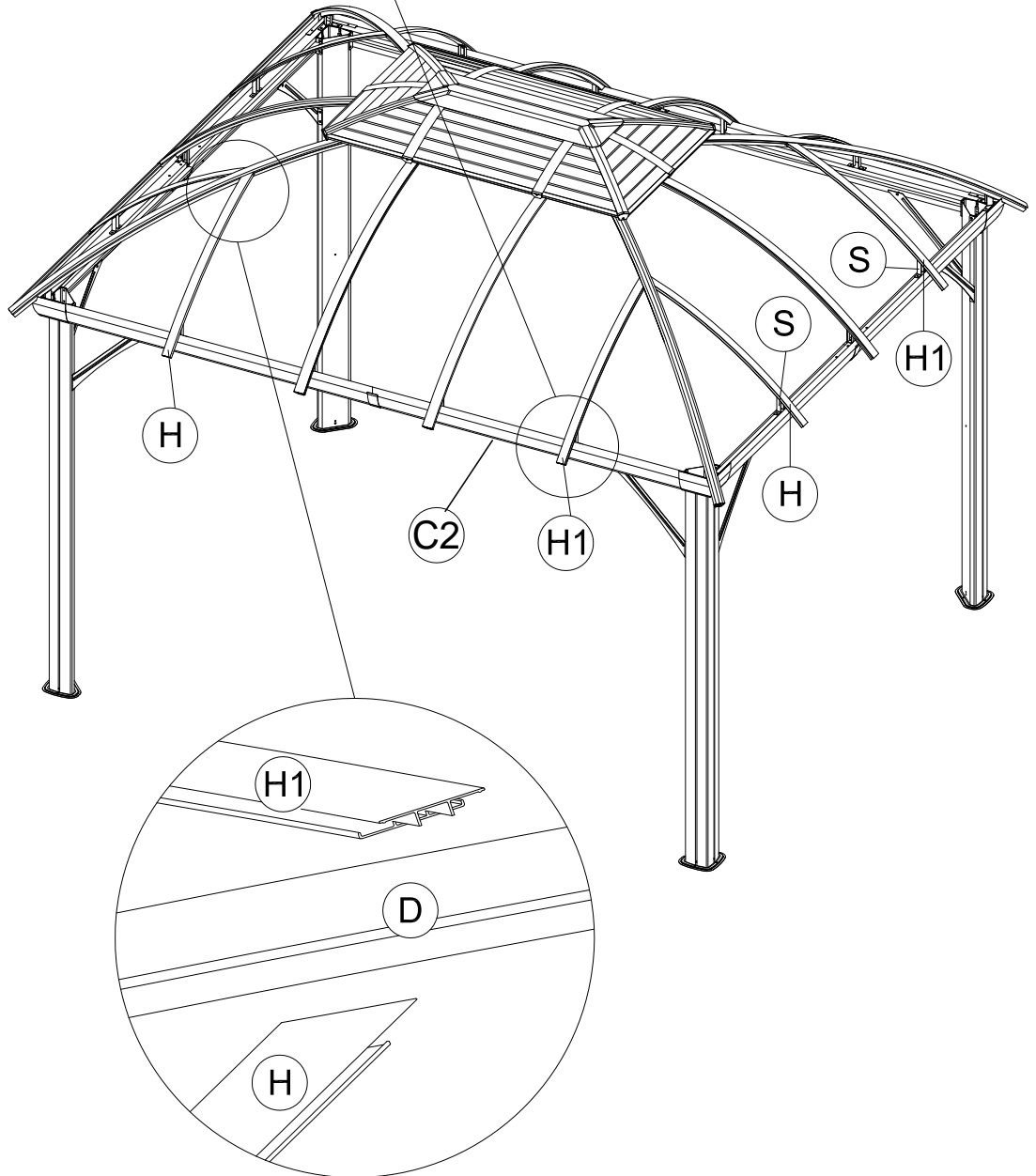
-  **H** 4x
-  **H1** 4x
-  **S** 8x
-  **1** 24x
M6x12
-  **S4**
- 6** 1x

Parts Required

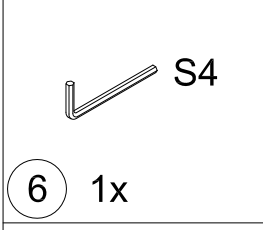
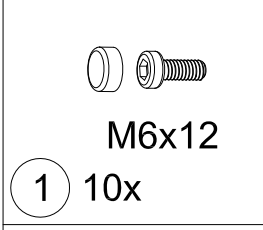
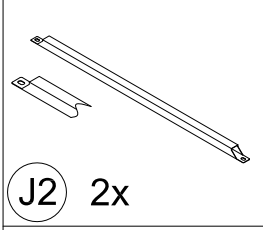
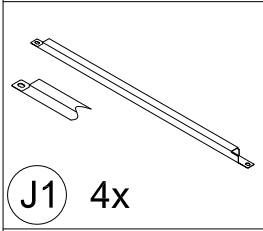
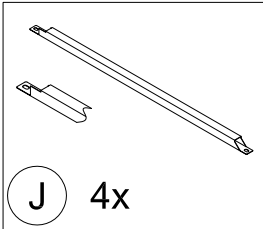
Step 12:



Affix roof bars (Part H&H1) to beams using supporting part (Part S) and screws 1# as shown in diagram.



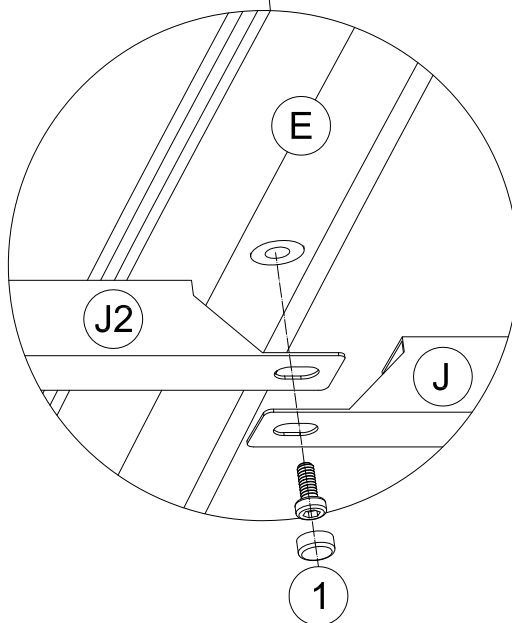
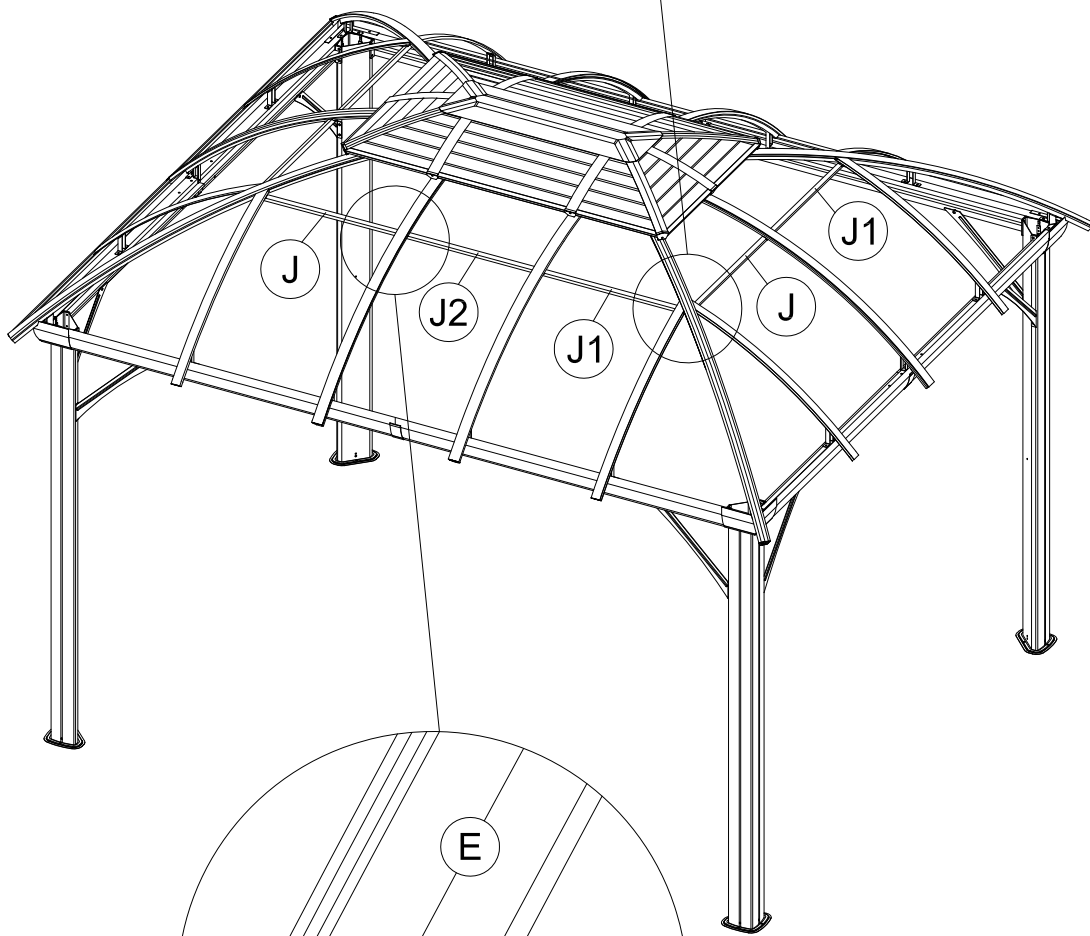
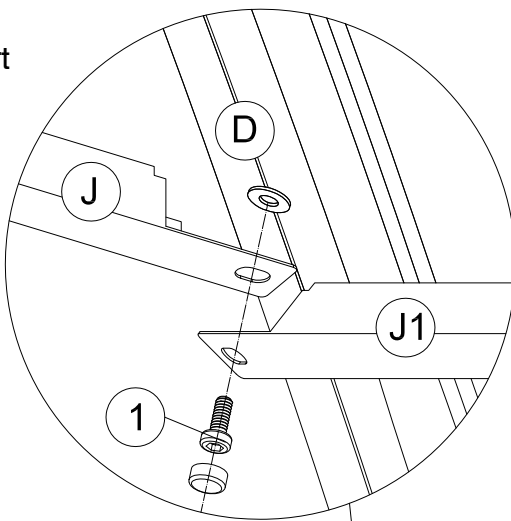
Then insert roof bars (Part H&H1) to corner roof bar (Part D) as shown in diagram.



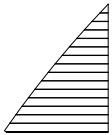
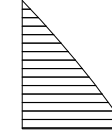
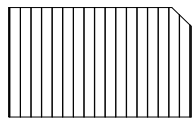
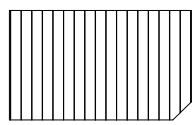
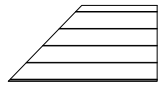
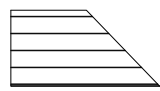
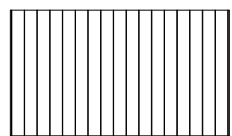
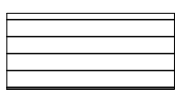
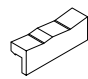
Parts Required

Step 13:

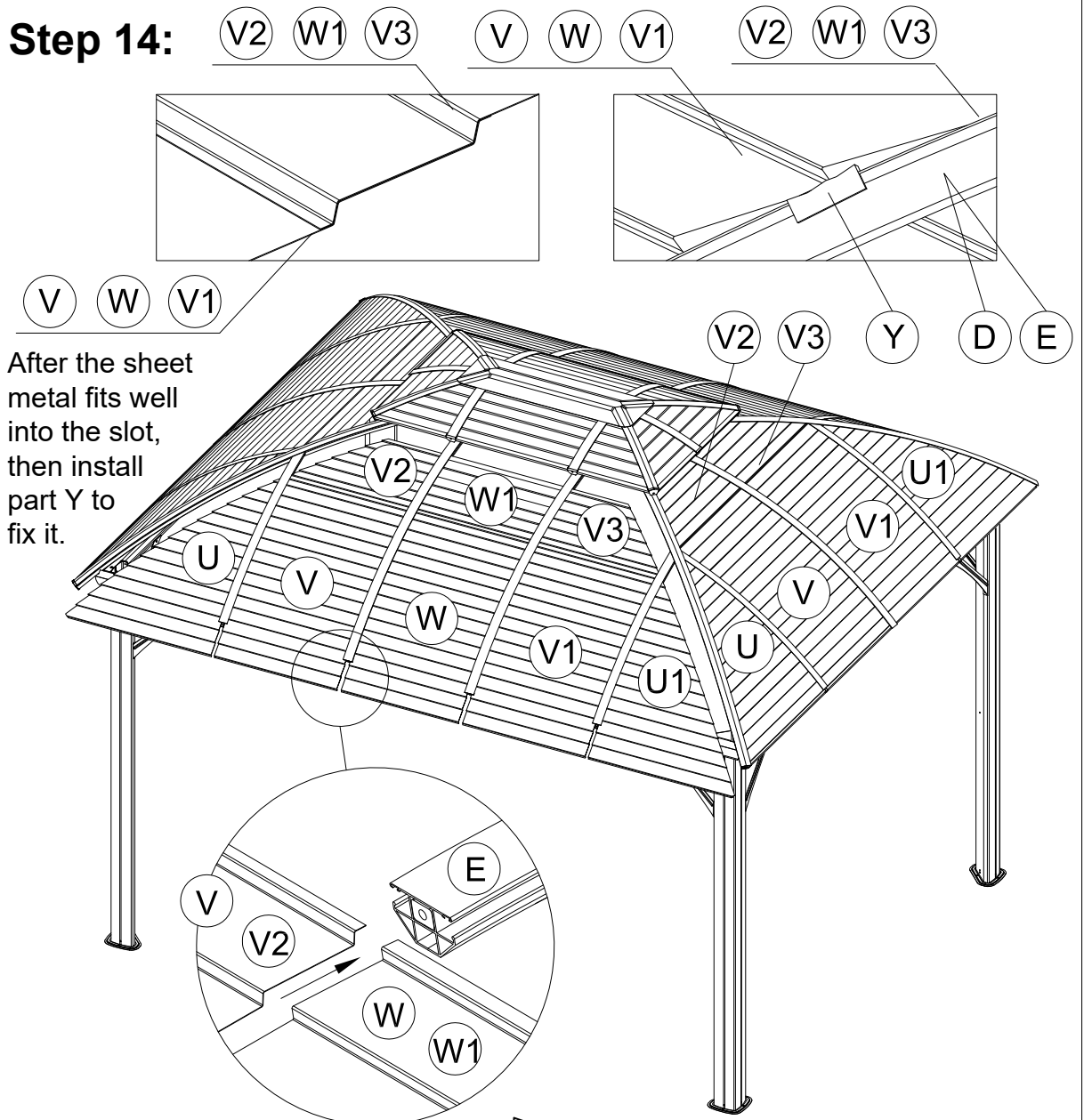
Affix solidifying bars (Part J and J1) to corner roof bar (Part D) using screw 1# as shown in diagram.



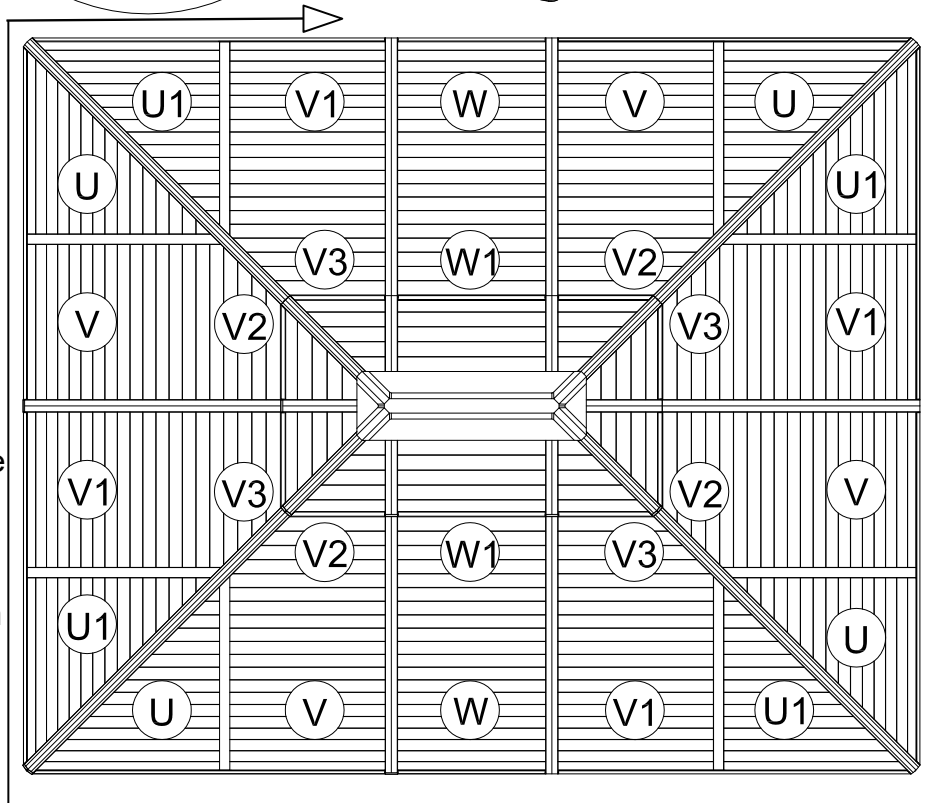
Affix solidifying bars (Parts J and J2) to roof bar (Part E) using screws 1# as shown in diagram.

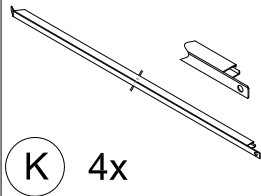
-  **U** 4x
 -  **U1** 4x
 -  **V** 4x
 -  **V1** 4x
 -  **V2** 4x
 -  **V3** 4x
 -  **W** 2x
 -  **W1** 2x
 -  **Y** 20x
- Parts Required**
15

Step 14:

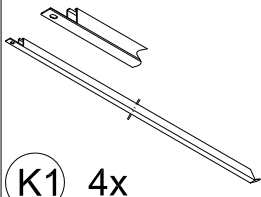


Attention:
Start from V and install piece by piece in a clockwise sequence. Only W and W1 can jointly insert into the slot. Put V2 and V3 from top to the slot.

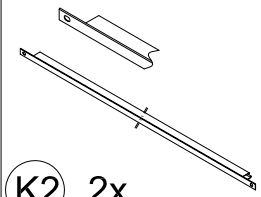




K 4x



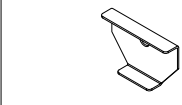
K1 4x



K2 2x



R 4x



R2 6x



M6x12

1 10x



ST4.8x10

4 8x

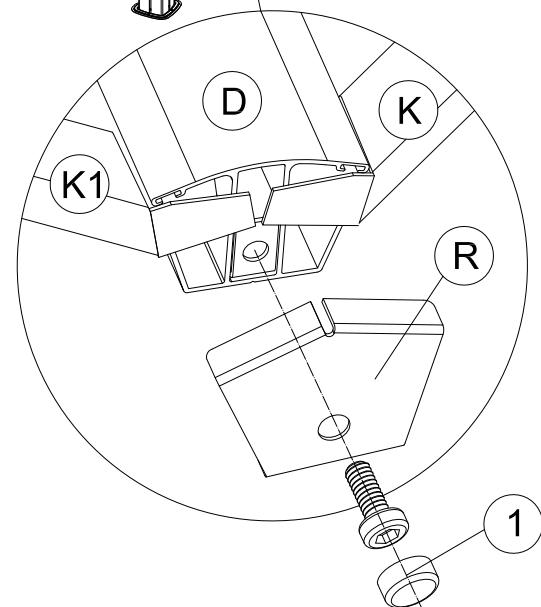
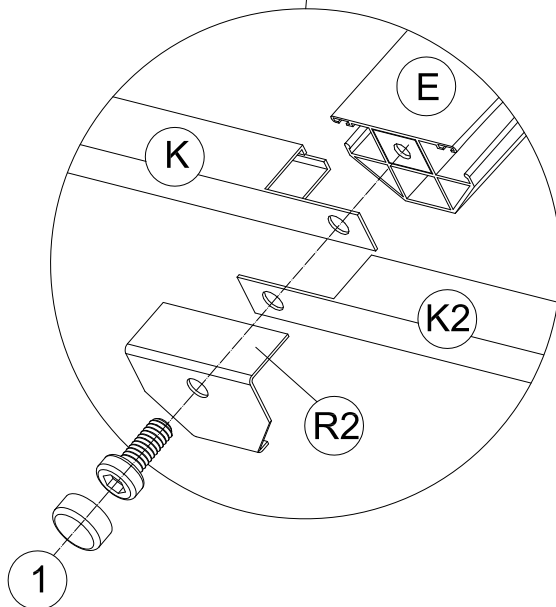
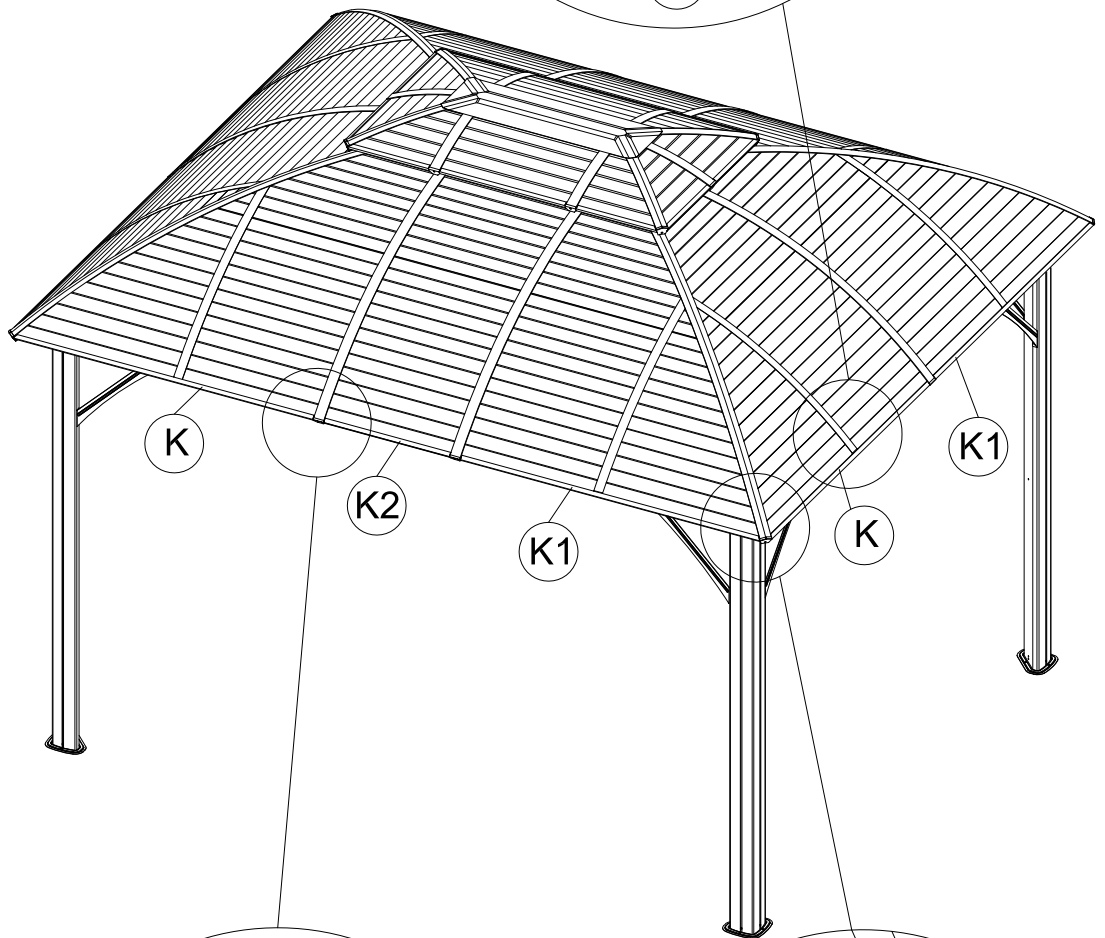
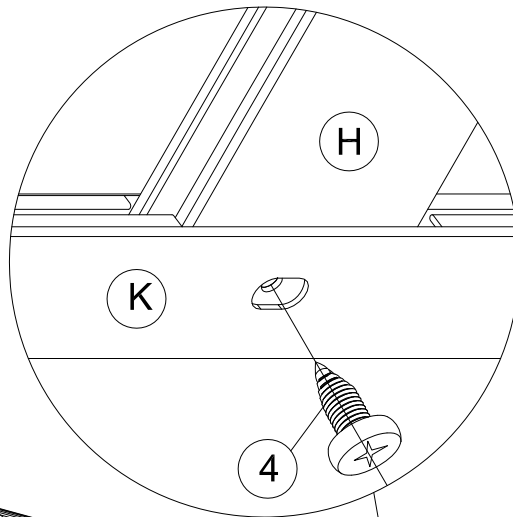


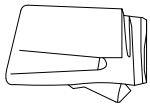
6 1x

Parts Required
16

Step 15:

Affix finishing bars (Parts K, K1 and K2) to roof bars (Part D&E) using finishing end (Part R&R2) and screws 1#&4# as shown in diagram.

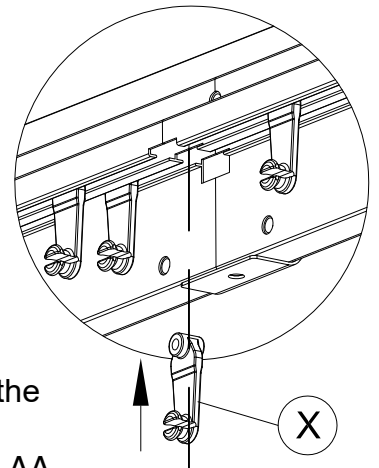
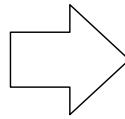
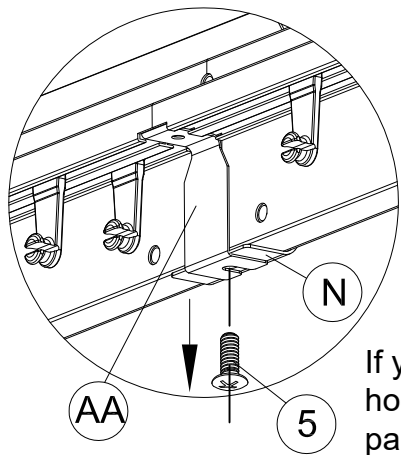




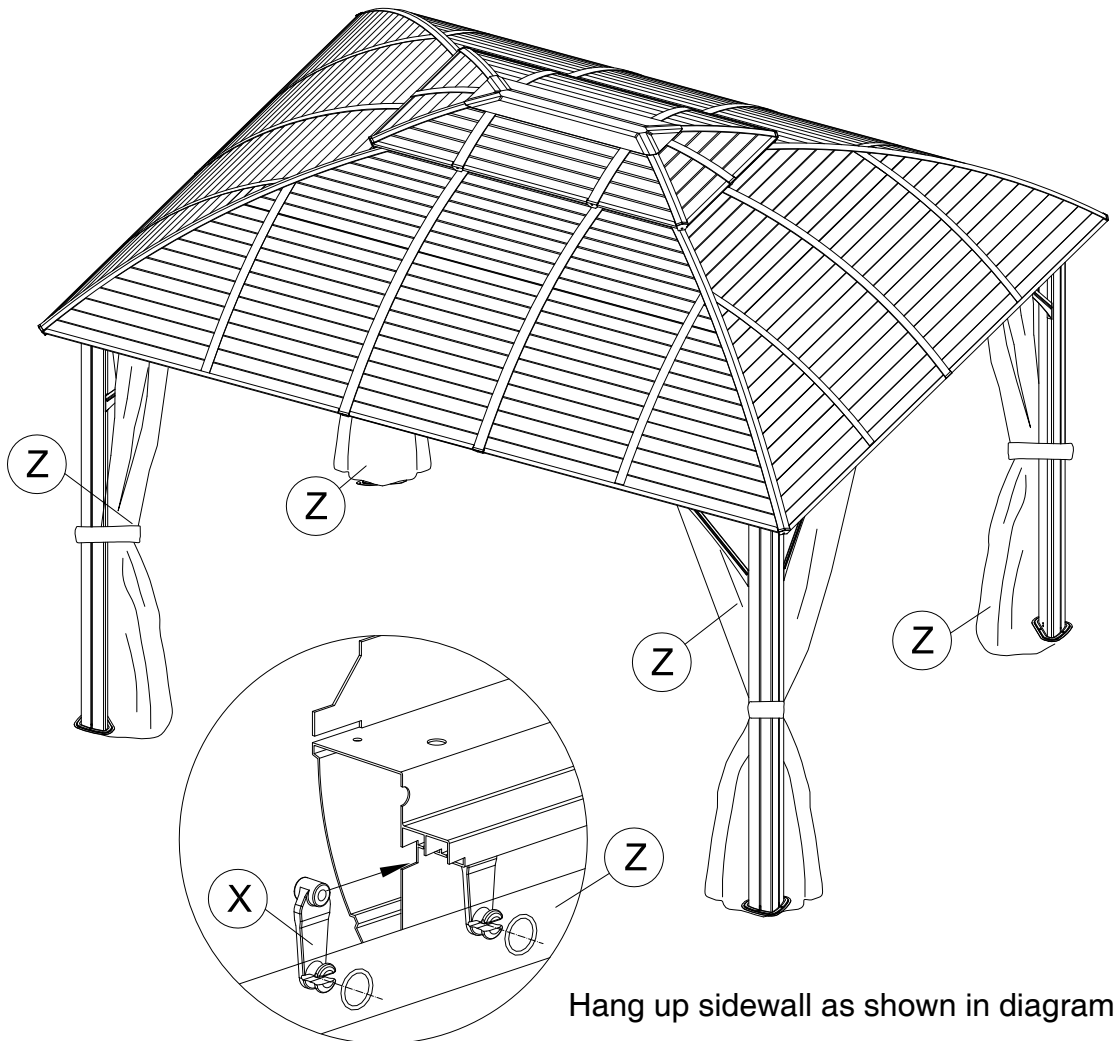
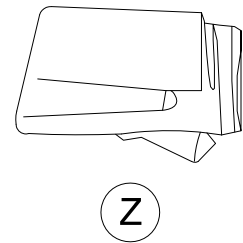
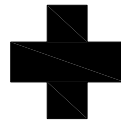
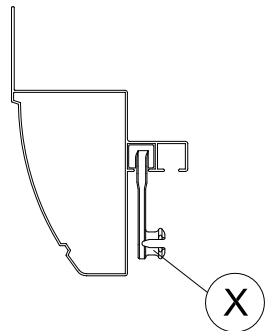
Step 16:

(Z) 4x

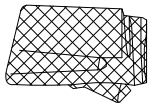
Parts Required



If you forgot to hang the hooks in step 2, remove the part AA, then hang the hooks, and finally fix part AA to lock the hooks into place.



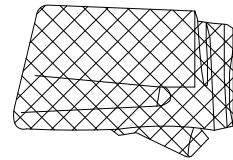
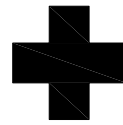
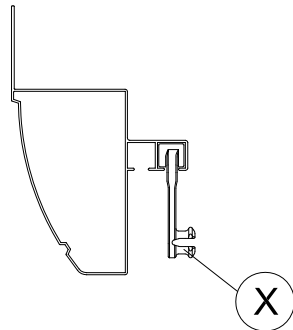
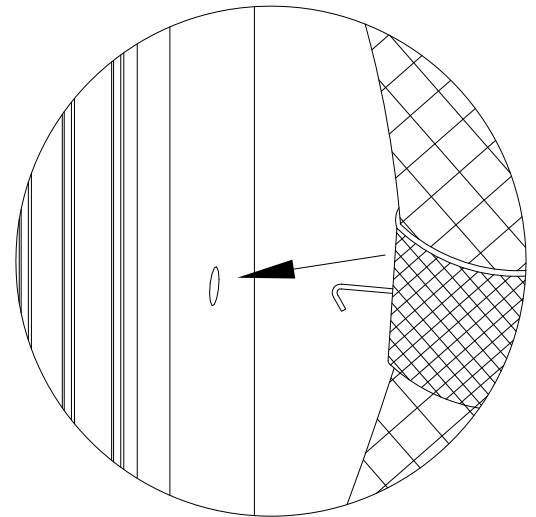
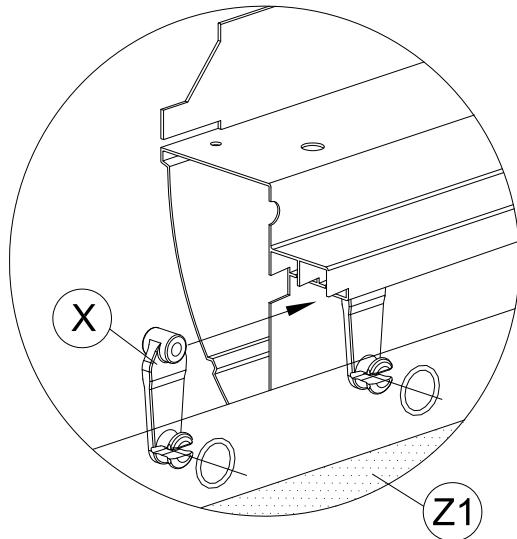
Hang up sidewall as shown in diagram.



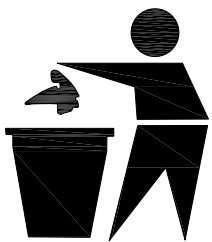
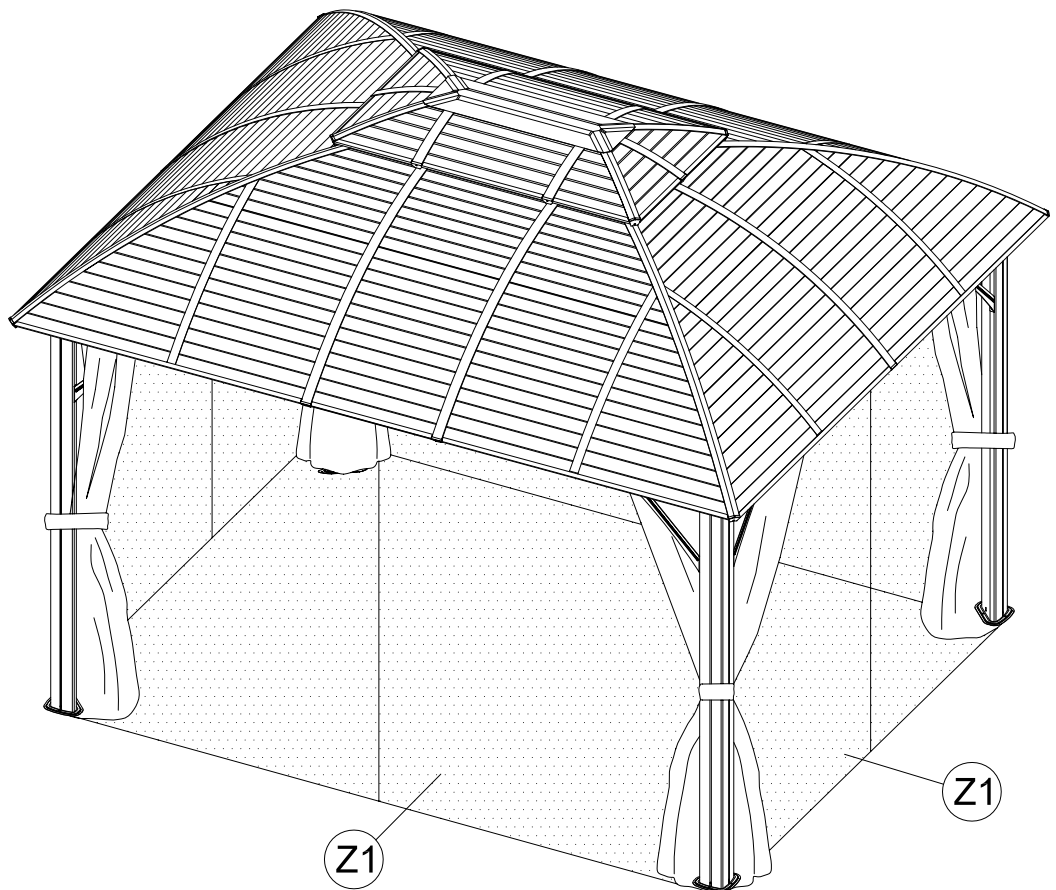
Step 17: Hang up mosquito netting as shown in diagram.

(Z1) 4x

Parts Required



(Z1)





RESORT COMFORT IN YOUR OWN BACKYARD

Thanks for your purchase.

At domi outdoor living, we believe in our products.

That's why we provide a 12-month warranty and friendly, easy-to-reach after-sales service. So if you have any questions about our product and assembly, please feel free to contact us. We will be here for you.

Support:  

email: domiservice01@outlook.com

Please tell us your order ID when contact.

Attach photos of damaged part for instant reply.