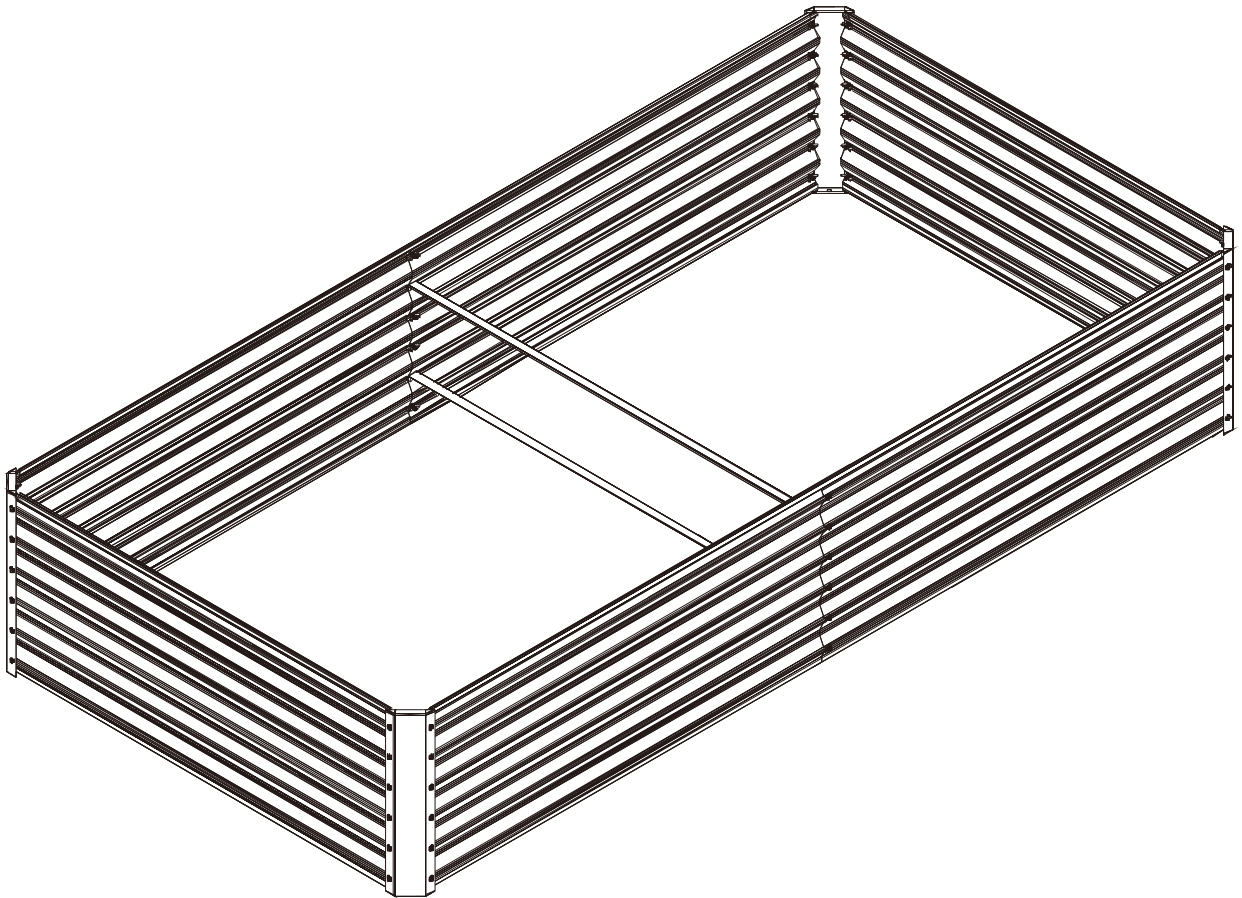


# Metal Raised Garden Bed

## ASSEMBLY MANUAL

SIZE: 8'x4'x1.5'



**MODEL#: LNCF0563**

Missing part? Damaged? Contact us via email at

[service@domioutdoorliving.com](mailto:service@domioutdoorliving.com)

[www.domioutdoorliving.com](http://www.domioutdoorliving.com)

## **Rustproof & Anti-Corrosion Material**

Upgraded galvanized steel which is rustproof and safe for soil and plants.

## **Premium Quality**

The Reinforced steel and corner connectors promise the stable structure and long-lasting durability.

The wave design provide better pressure resistance.

## **Easy Setup**

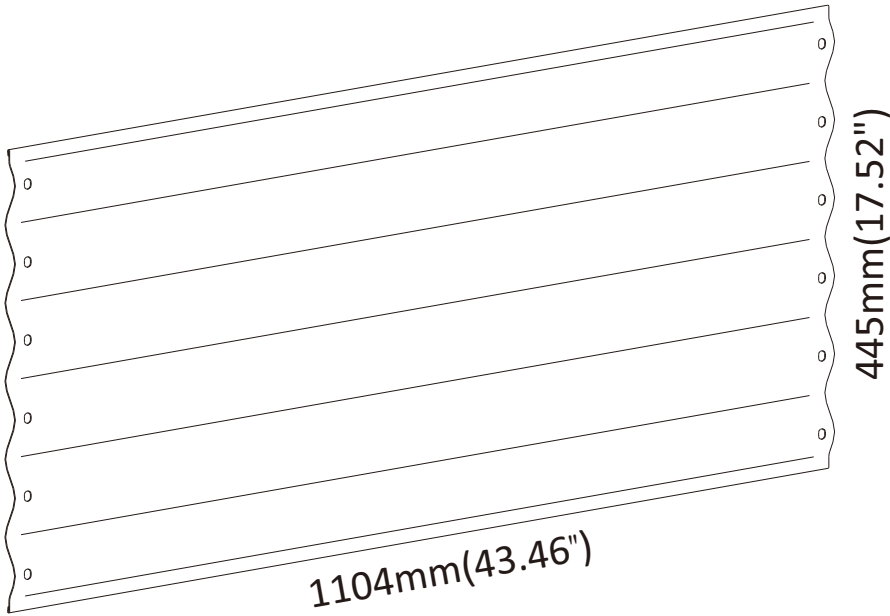
Simple structure without complex design, you just need connect the six steel sheets by screws which can be finished less than half an hour.

## **No Bottom Design**

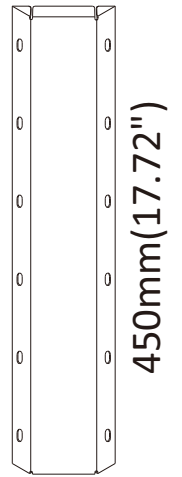
The open-bottom design helps release the excess water to deep soil and allows the roots of crops to grow freely.

## **Features and Benefits**

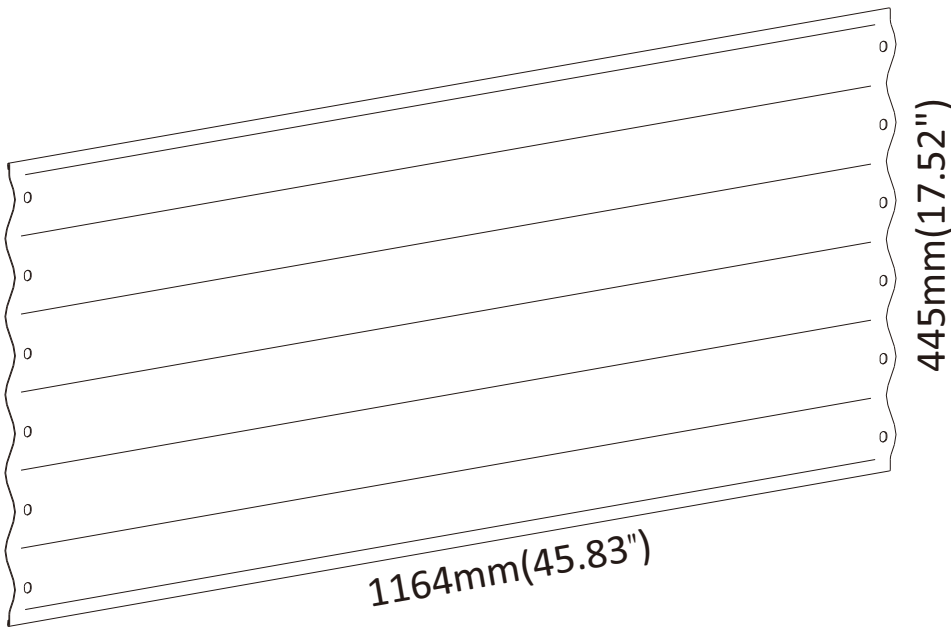
- Corrugated galvanized sheet elevated garden bed adds an industrial style decoration to your lawn.
- This elevated garden bed is ideal for displaying your herbs, flowering plants or some homegrown vegetables.
- Prevent soil erosion and weeds to ensure plant health.
- The raised pattern also prevents pests and reduces care and maintenance.
- Corrosion resistance, water saving and drought resistance, firm and durable without deformation, beautiful shape



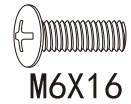
Short Sheets B(X2)



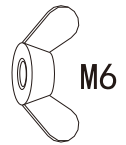
Corner Connectors A(X4)



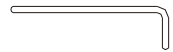
Long Sheets C(X4)



Screws E(X60)



Wingnuts F(X56)

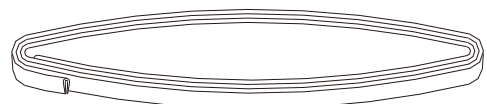


Stakes G(X4)

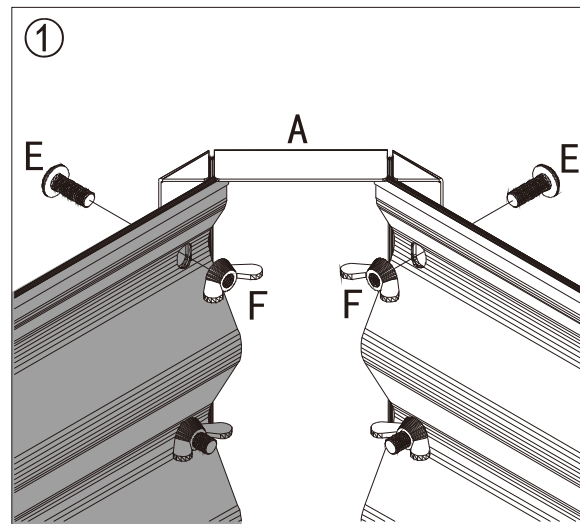
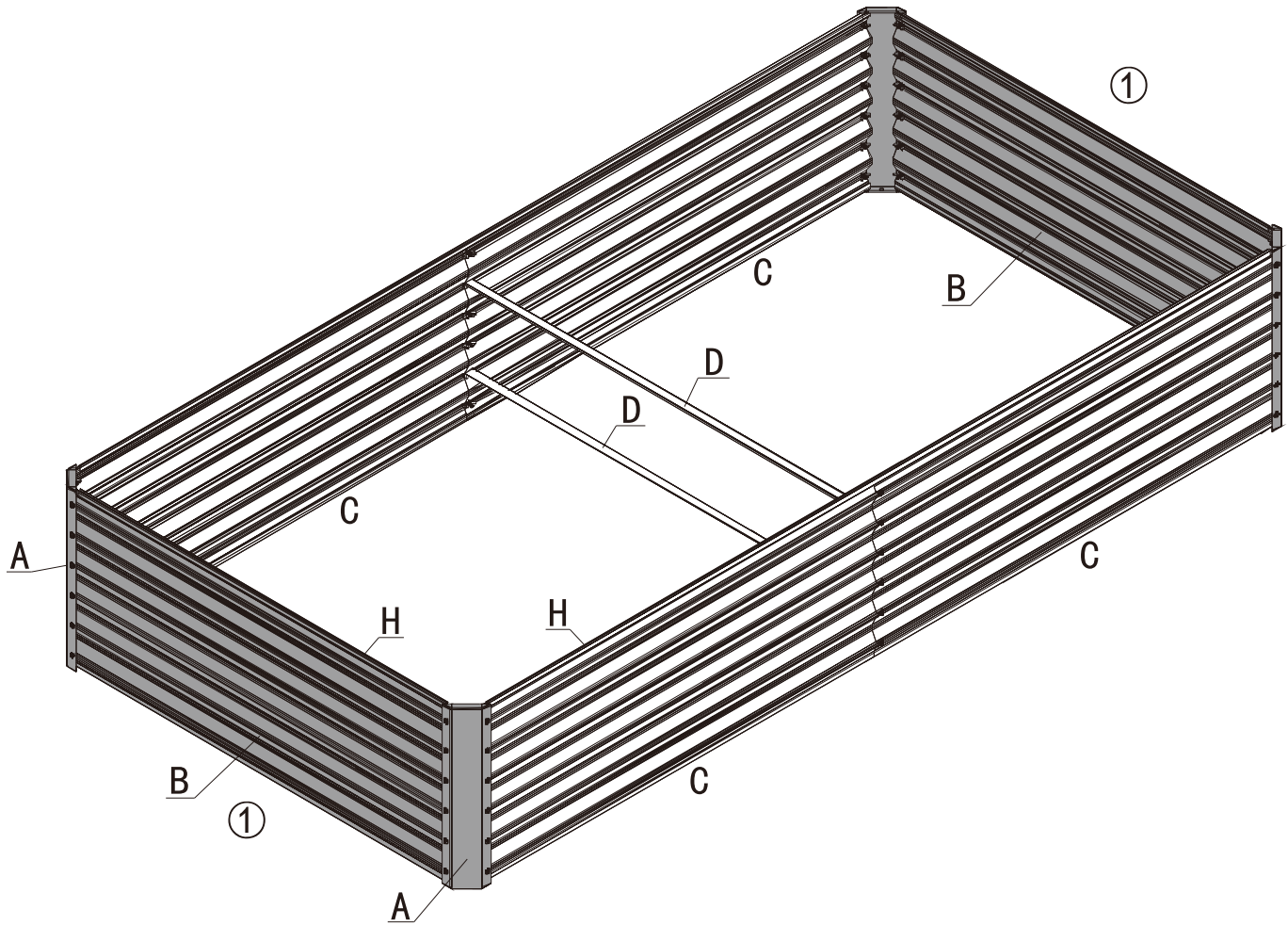


Bracing Rods D(X2)

LNCF0563 94.49"x47.24"x17.72"

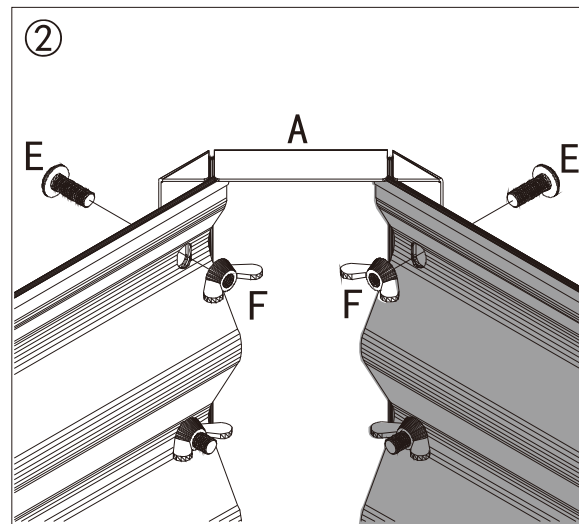
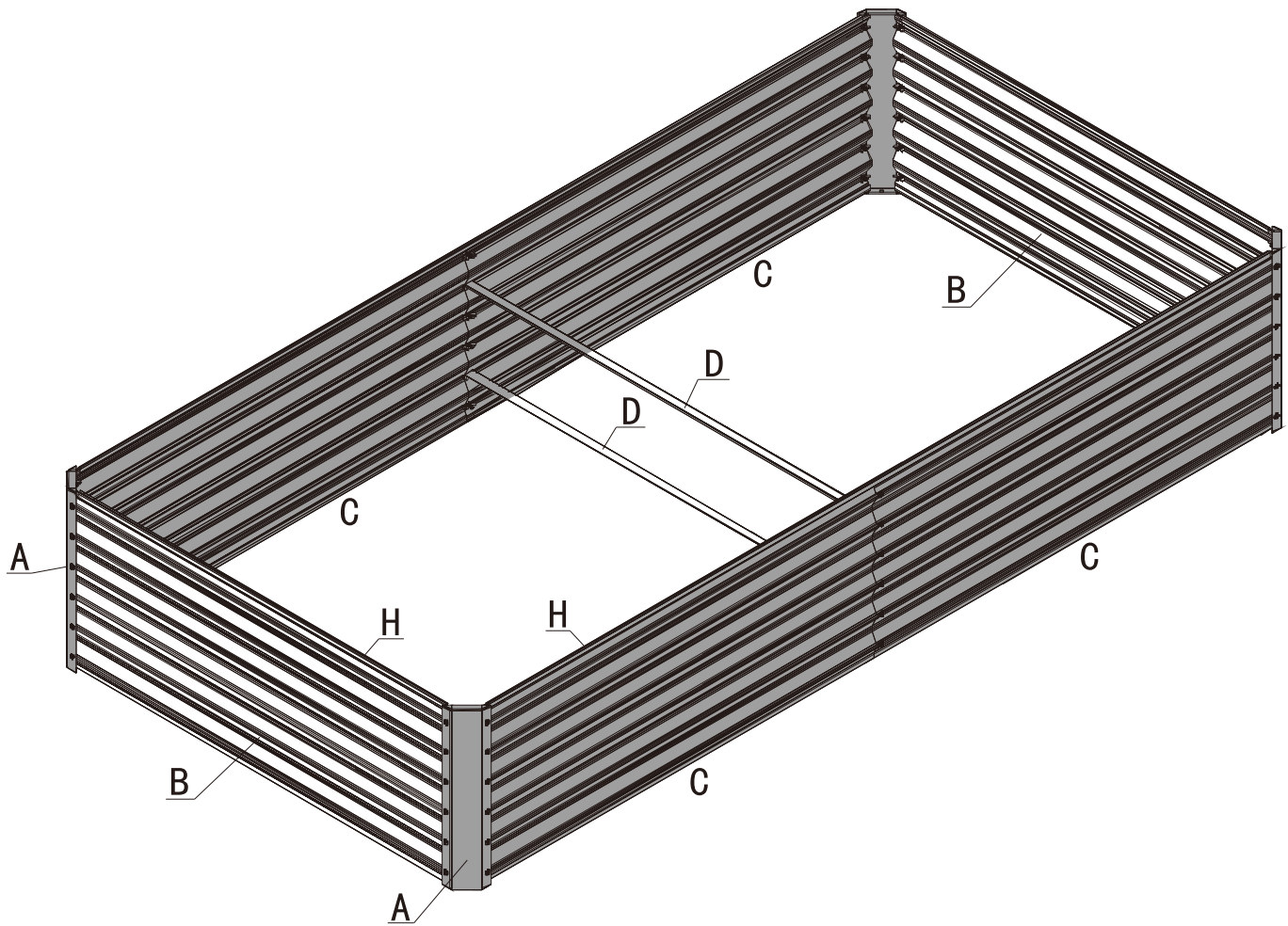


Rubber Strip H(X1)



① Attach 2 Corner Connectors #A to 1 Short Sheets #B with 12 screws #E, and secure with 12 wingnuts #F .

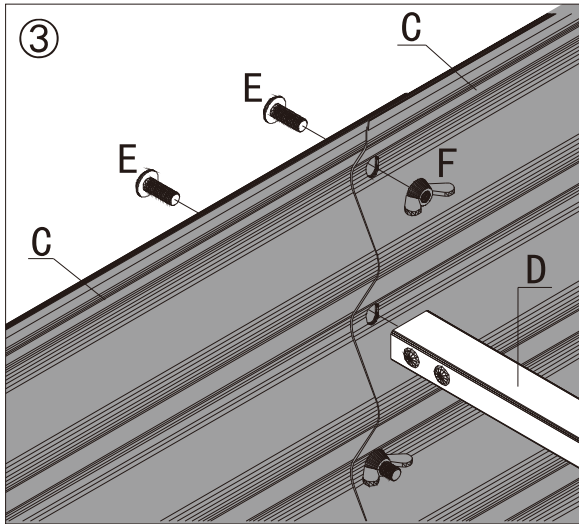
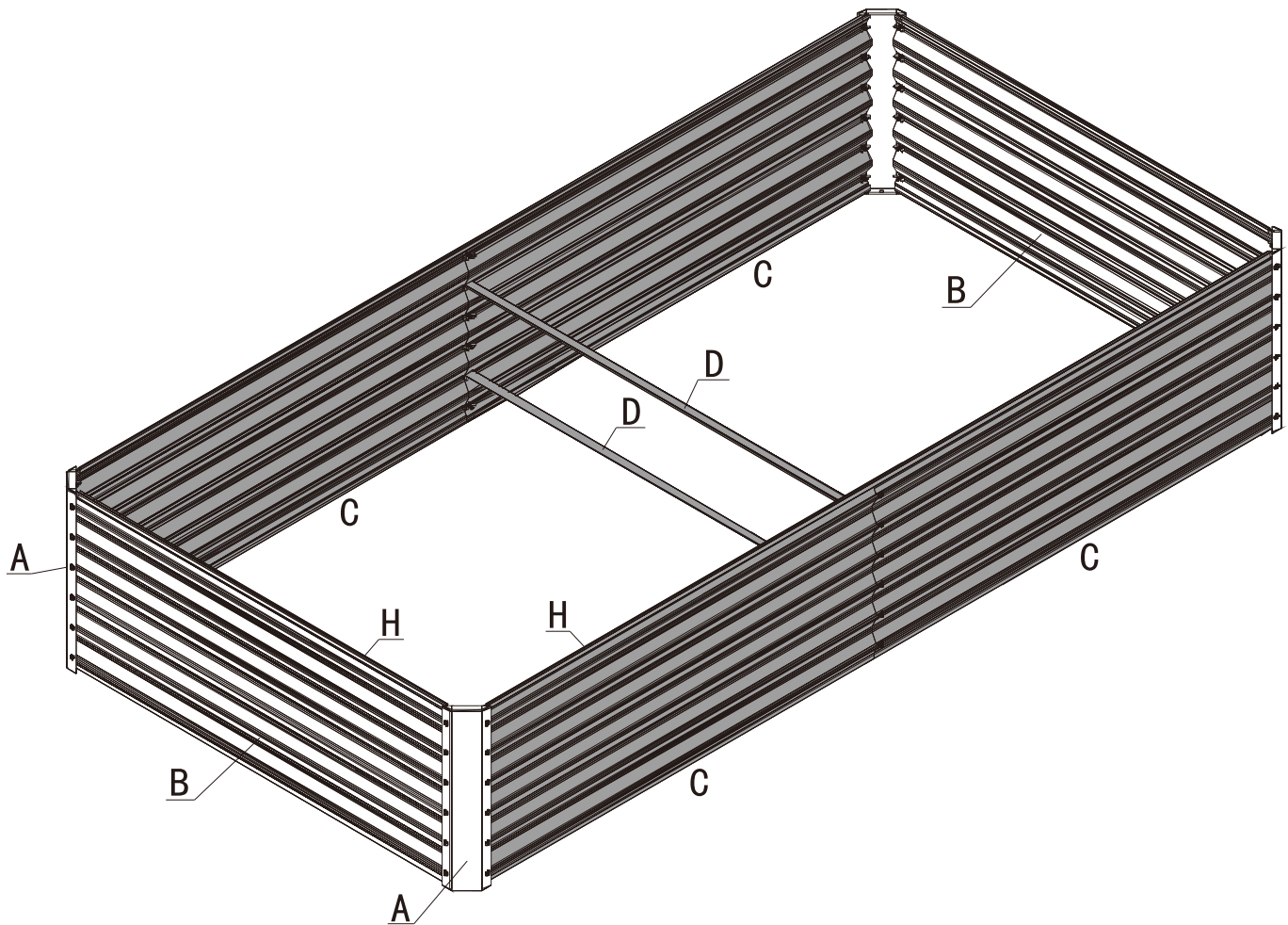
**Repeat the above procedures to assemble another end.**



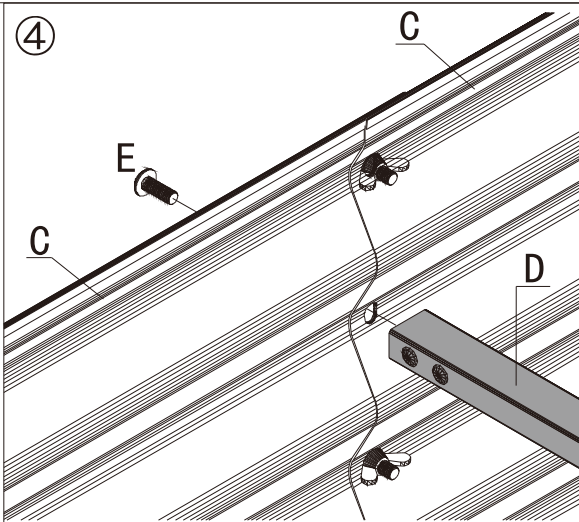
② Attach 2 Long Sheets C to 2 Corner Connectors #A with 12 screws #E, and secure with 12 wingnuts F.

**Repeat the above procedures to assemble another side.**

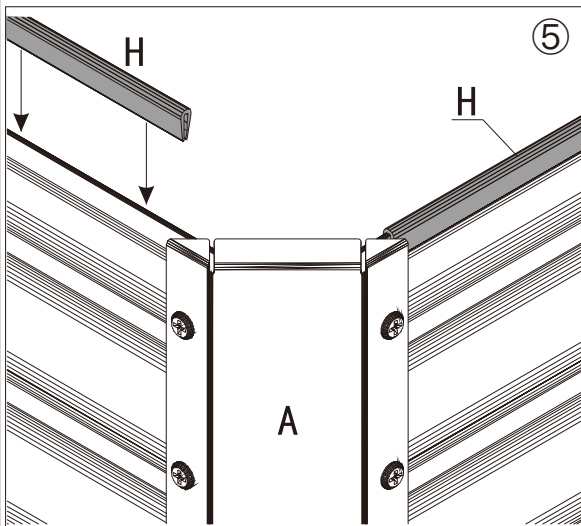
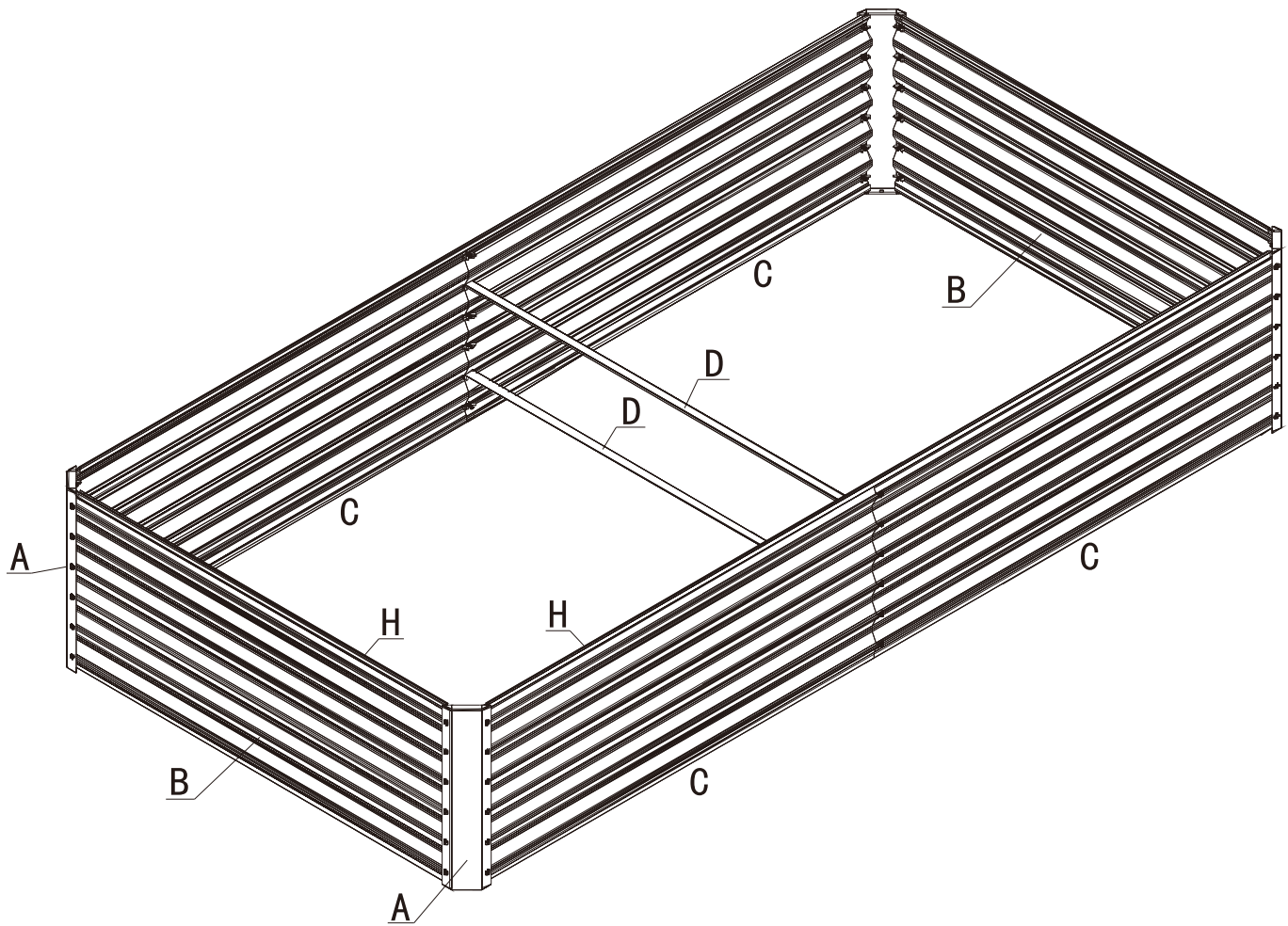




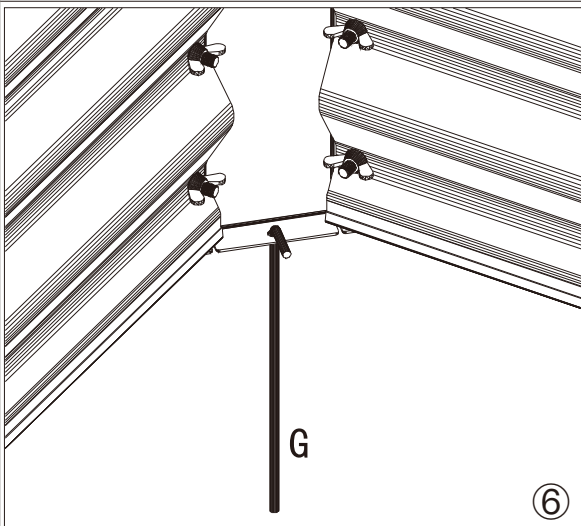
③ Overlap the 2 halves of the garden bed, then connect with 8 screws #E, and secure with 8 wingnuts #F. Leave the second and fifth set of connector holes empty.



④ Attach the 2 Bracing Rods #D with 4 screws #E.



⑤ Cut the Rubber Strip #H into 4 pieces equal to the length/width of the garden bed then place them on the top edges.



⑥ Secure the Corner Connectors with 4 stakes #G, 1 stake per Corner Connector.