



# CAUTION

*This is NOT a permanent structure.*

*The canopy top should never be left on during periods of extended or heavy rain nor any inclement weather where high winds or wind gusts can occur.*

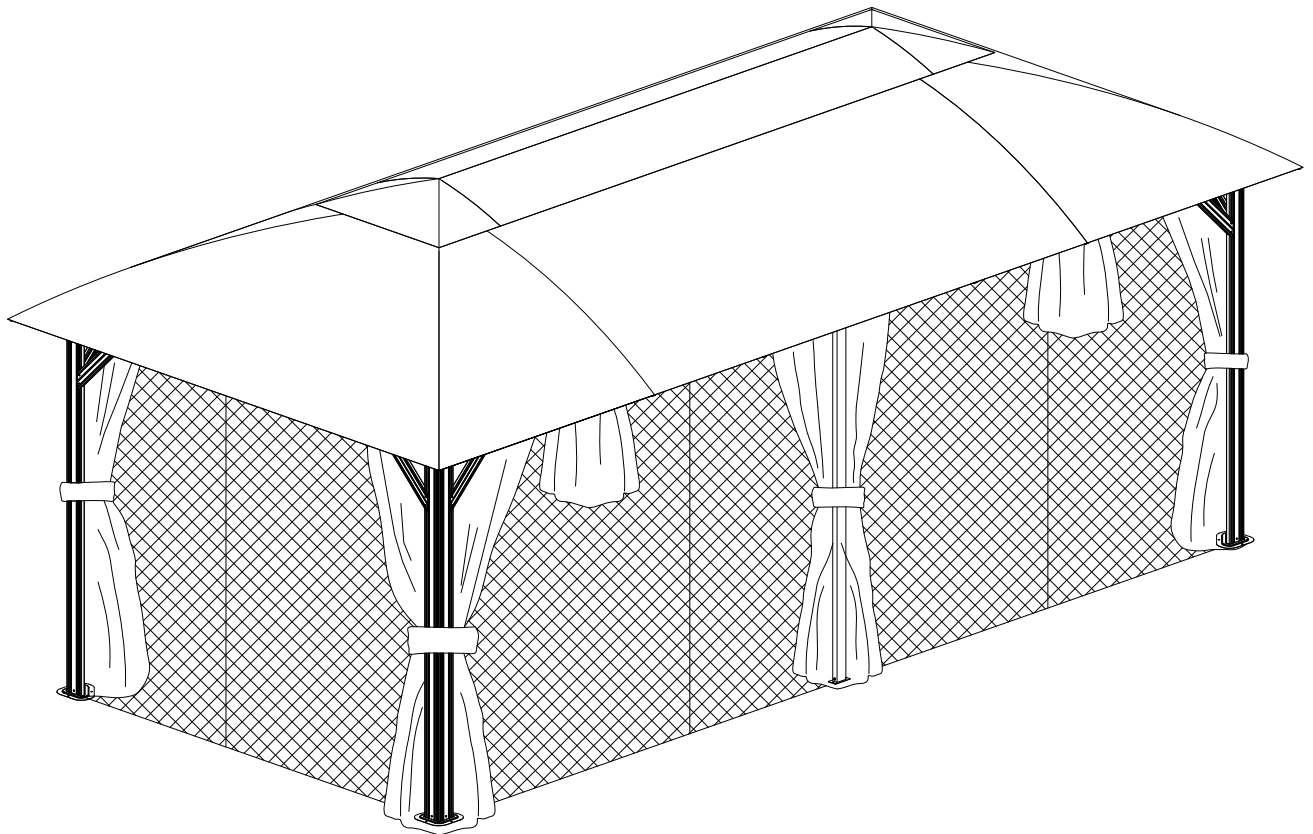
*if left up, damage to the gazebo and surroundings can occur.*

**If you have questions or concerns.**

**Please contact us via email at [service@domioutdoorliving.com](mailto:service@domioutdoorliving.com)**

# 10'x20' Gazebo

## ASSEMBLY MANUAL



MODEL#: LGCD1626

Missing part? Damaged? Contact us via email at  
[service@domioutdoorliving.com](mailto:service@domioutdoorliving.com)

[www.domioutdoorliving.com](http://www.domioutdoorliving.com)

## Pre-assembly



1. Two or more people are required for assembly.



2. You will need one or more stepladders.



3. Wearing protective gloves is recommended.



4. You may need a safety hat.



5. Please use a Phillips screw driver.



6. For ease of construction, you may need a drill.



7. You may need a safety goggle.



8. Do not fully tighten screws prior to complete assembly.

## Warning & Attention

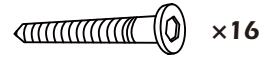
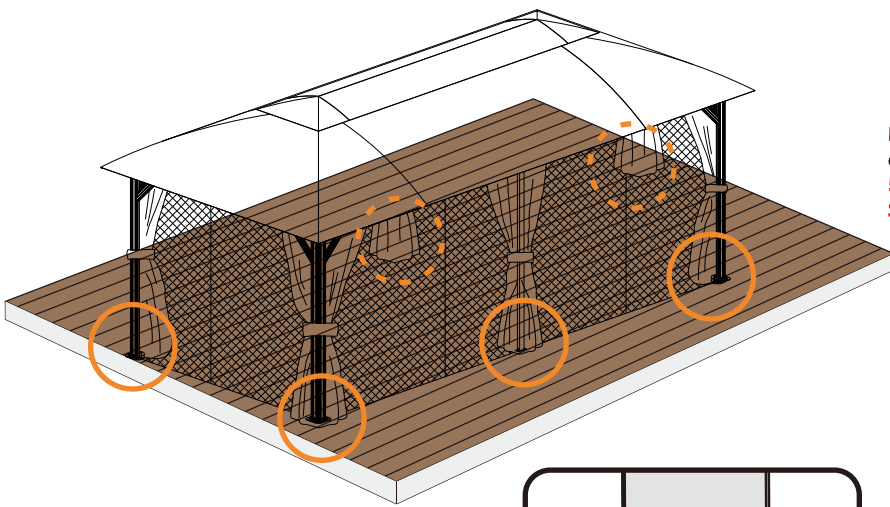
-Try to assemble this product on the flat ground, otherwise it is difficult to carry out;

-It would be much easier to assemble the product with three or more people;

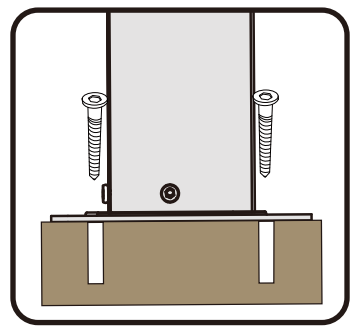
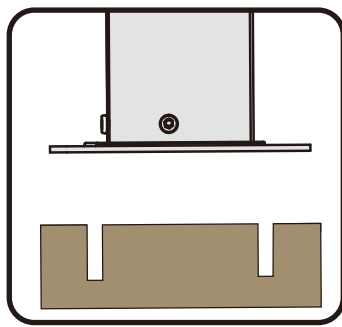
-After assembly, please check whether all screws are tightened, to prevent parts from falling apart.

▲ Use bolts to secure the frame to the ground to against the strong wind.

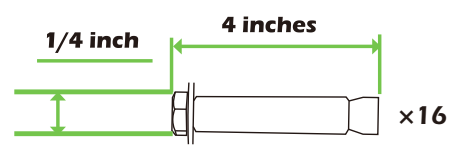
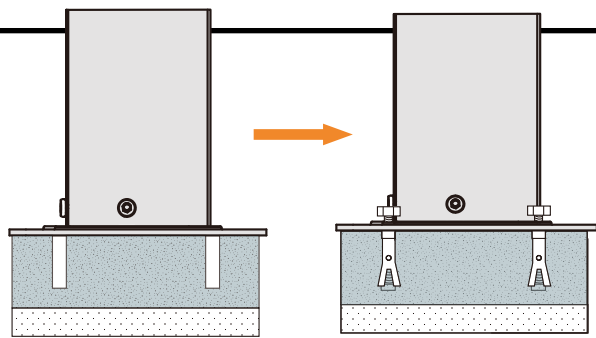
1



If the deck is hard wood and the depth of it is over 3 inch, you can use **5/16 in. x4 in. Structural Wood Screw** to mount the gazebo.

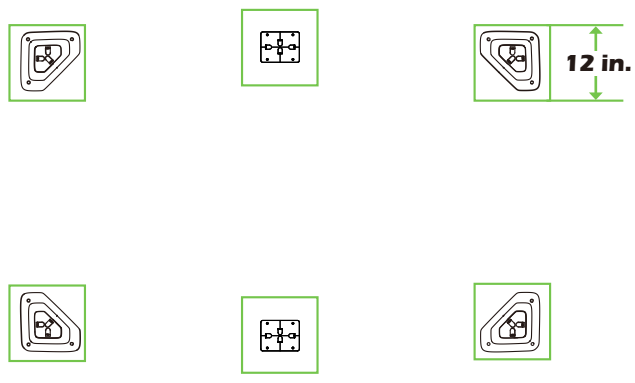


2



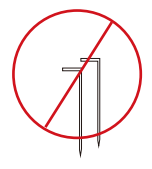
If the ground is concreted and the depth of it is over 3 inch, you can use 1/4 inch expansion bolts to mount the gazebo

3



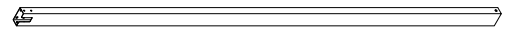
Or you can make a concrete footing for gazebo, **12 x 12 x 12 inches** is recommended. use expansion bolts to mount the gazebo like ② shows.

**IMPORTANT:**  
Anchor is not recommended





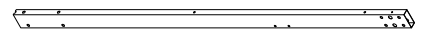
**A** 4x Corner Post



**A1** 2x Middle Post



**C** 2x Short Beam



**C1** 2x Short Beam



**D** 2x Long Beam



**D1** 2x Long Beam



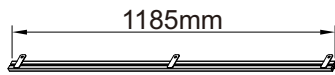
**D2** 2x Long Beam



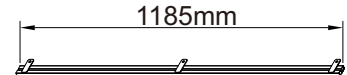
**E** 4x Corner Solidifying Bar



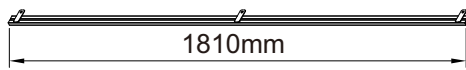
**E1** 4x Corner Solidifying Bar



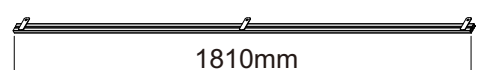
**F** 2x Track



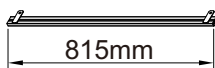
**F1** 2x Track



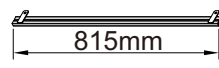
**F2** 2x Track



**F3** 2x Track



**F4** 2x Track



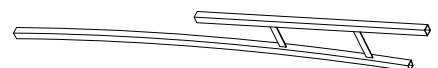
**F5** 2x Track



**G** 2x Middle Roof Tube



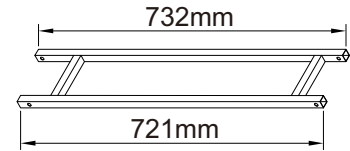
**G1** 10x Middle Roof Tube



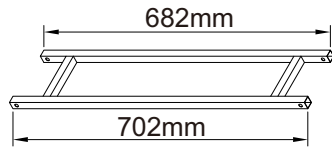
**H** 4x Corner Roof Tube



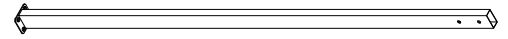
**H1** 4x Corner Roof Tube



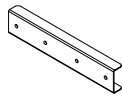
**J** 2x Roof Support Tube



**J1** 2x Roof Support Tube



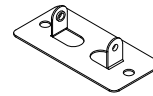
**V** 2x Middle Support Tube



**V1** 1x Joint Bar



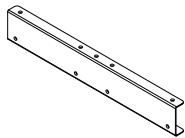
**B** 4x Corner Post Base



**B1** 2x Middle Post Base



**L** 4x Bracket



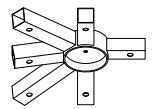
**M** 6x Joint Bar



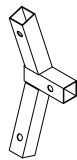
**N** 4x Bracket



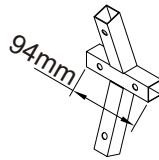
**N1** 12x Bracket



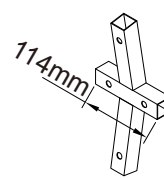
**K** 2x Roof Hub



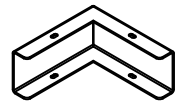
**K1** 2x Roof Connector



**K2** 3x Roof Connector



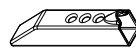
**K3** 3x Roof Connector



**P** 4x Corner Cover



**Q** 8x Plastic Cap



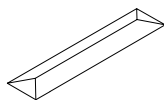
**R** 16x Canopy Adjustment Kit



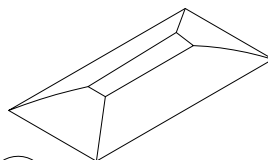
**S** 2x Top Hook



**T** 144x Plastic Hook



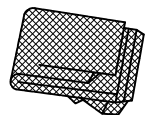
**U** 1x Vent Cover



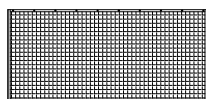
**U1** 1x Main Canopy



**Y** 4x Curtain



**Y1** 4x Mosquito Net



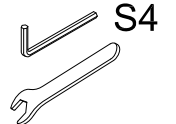
**Y2** 2x Mosquito Net



**Y3** 2x Curtain



**Z** 12x Stake



**1** 1x Wrench



M6x16

2 180x Bolts



M6x35

3 16x Bolts and Nuts



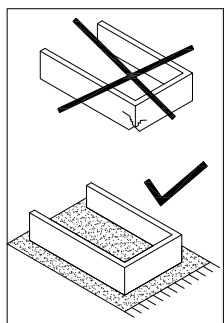
ST5x16

4 16x Self-tapping Bolts



M6x10

5 12x Bolts



4



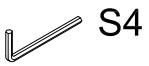
A 4x



B 4x



N 4x

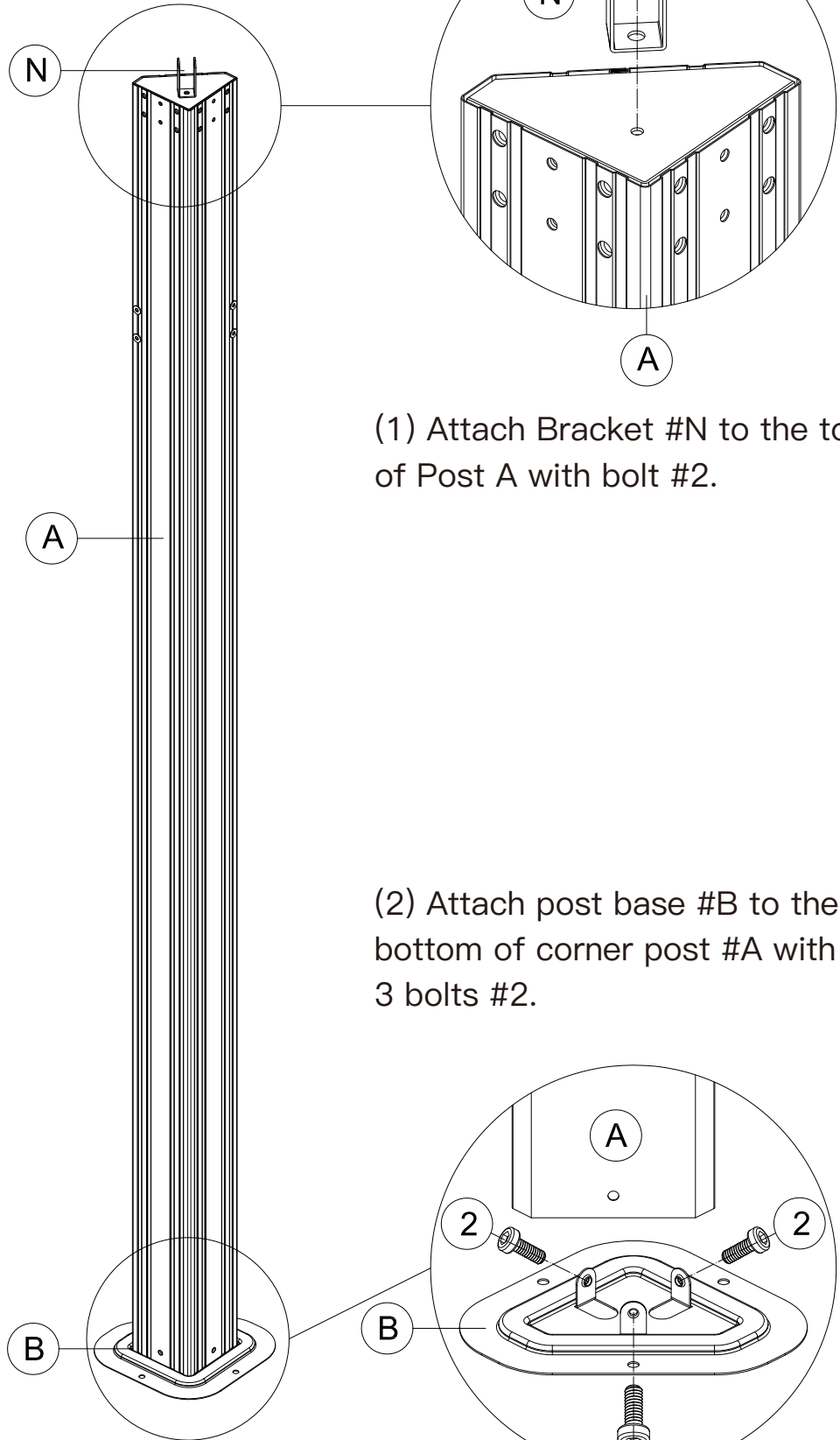


1 1x



M6x16

2 16x



(1) Attach Bracket #N to the top of Post A with bolt #2.

(2) Attach post base #B to the bottom of corner post #A with 3 bolts #2.

X4

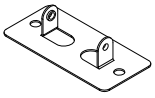
(3) Repeat the above procedures for the other three posts.

5





A1 2x



B1 2x



L 4x



1 1x



M6x16

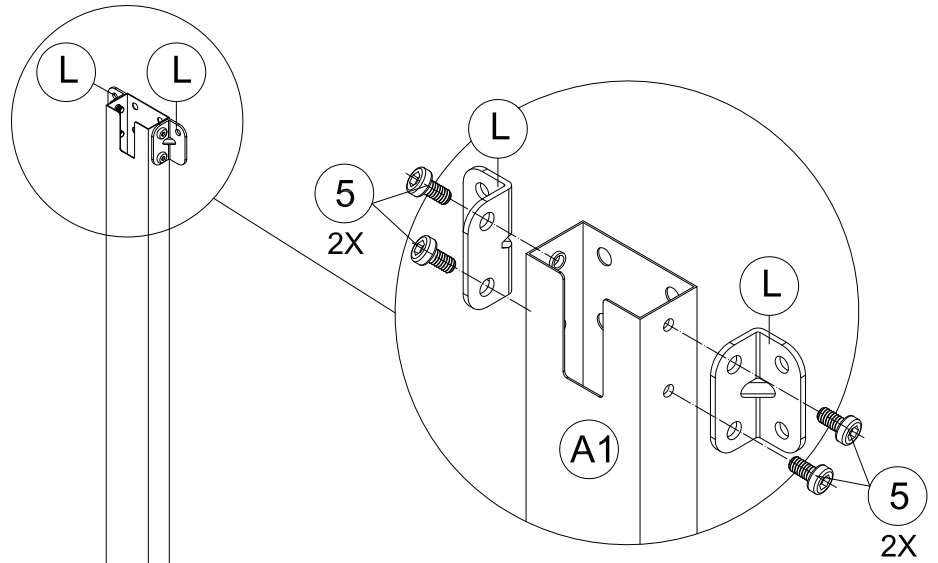
2 4x



M6x10

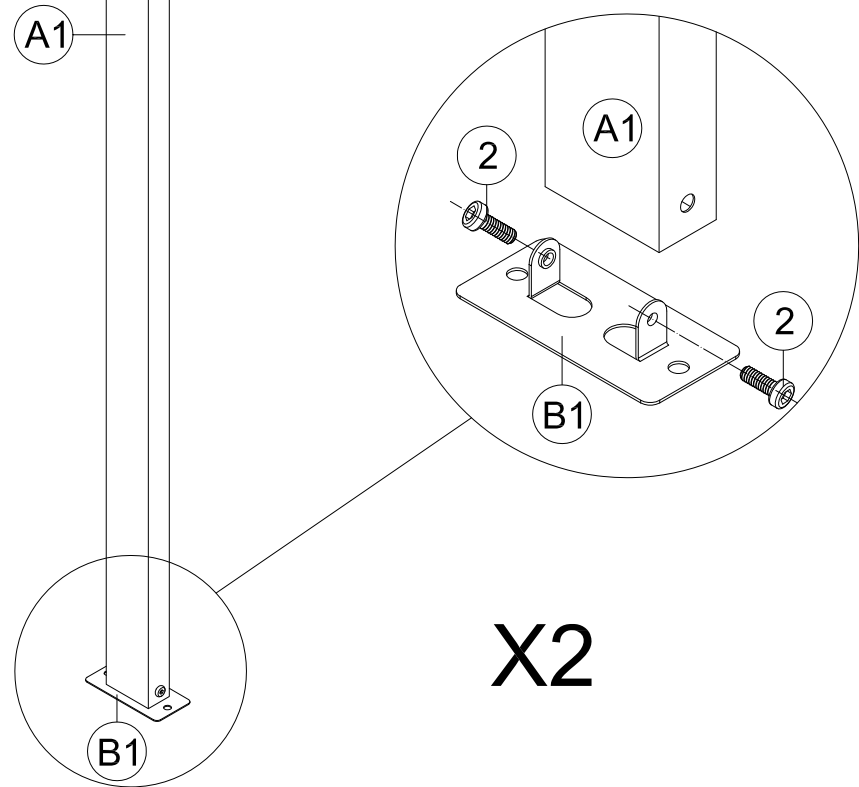
5 8x

6



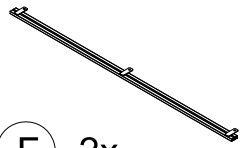
(1) Attach 2 brackets #L to the middle post #A1 with 4 bolts #5.

(2) Attach middle post base #B1 to the bottom of middle post with 2 bolts #2.

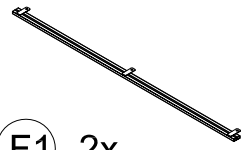


X2

(3) Repeat the above procedures for another middle post #A1.



F 2x

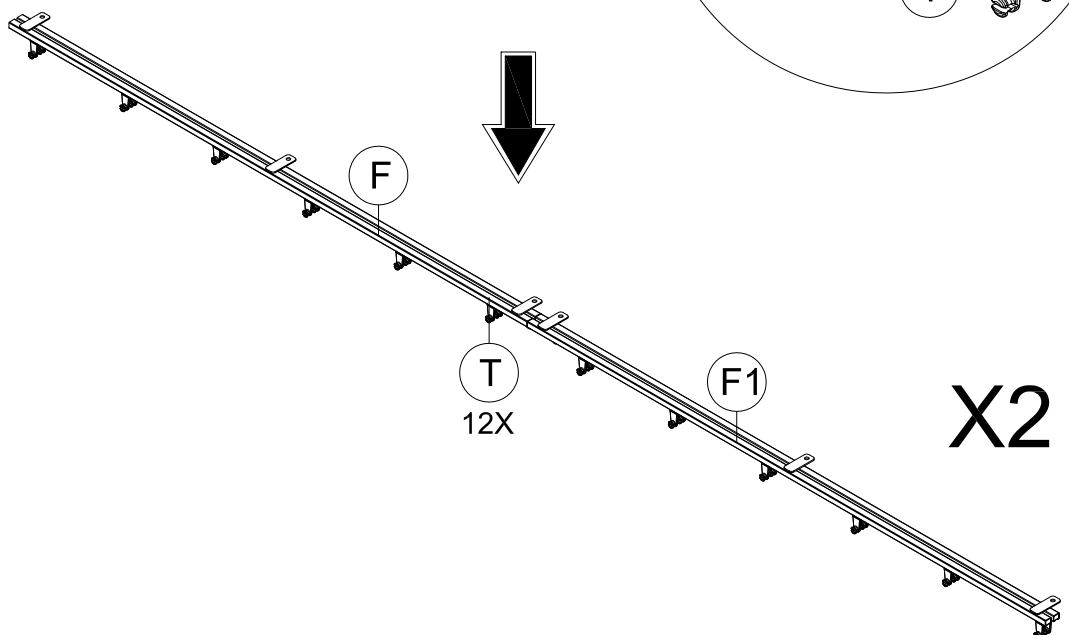
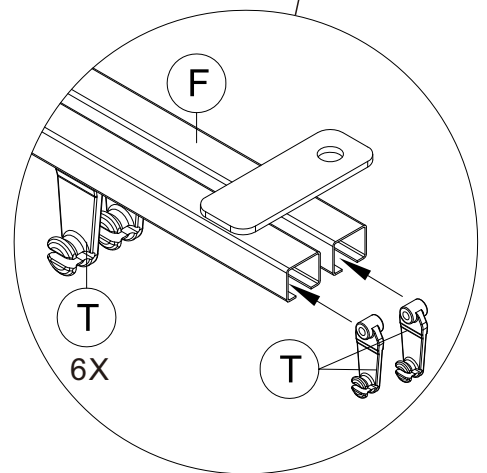
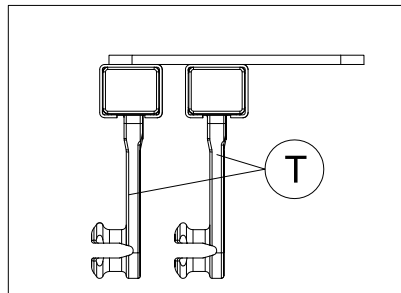
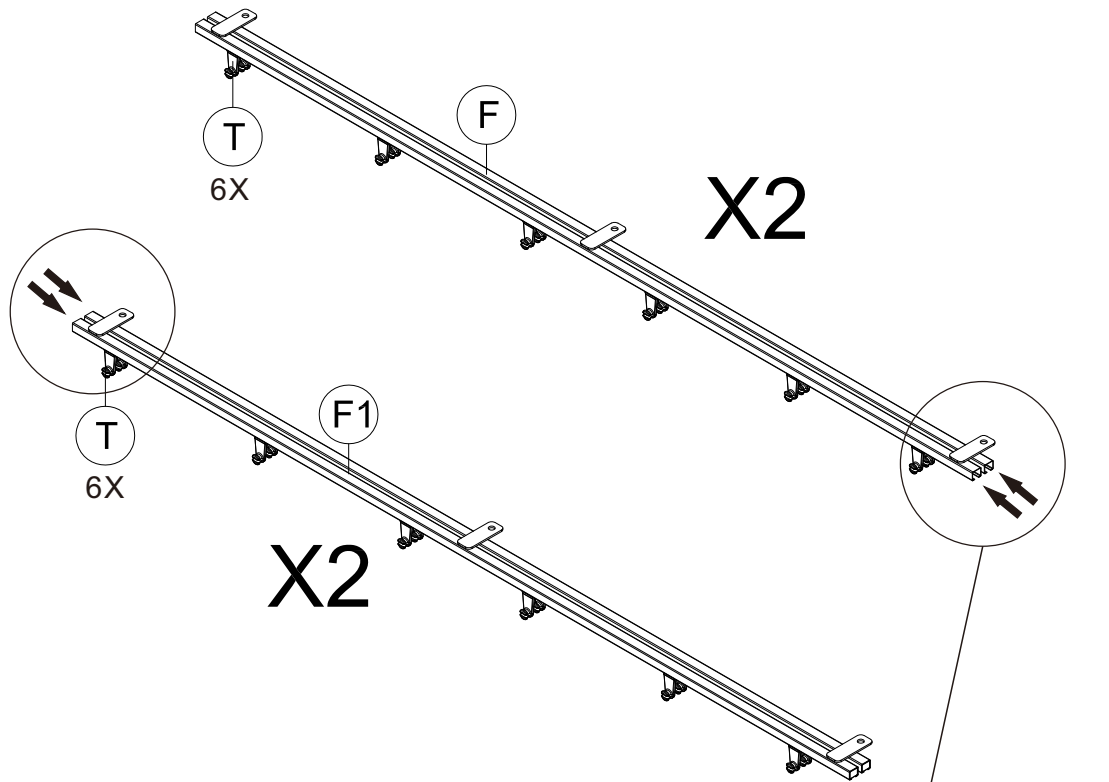


F1 2x



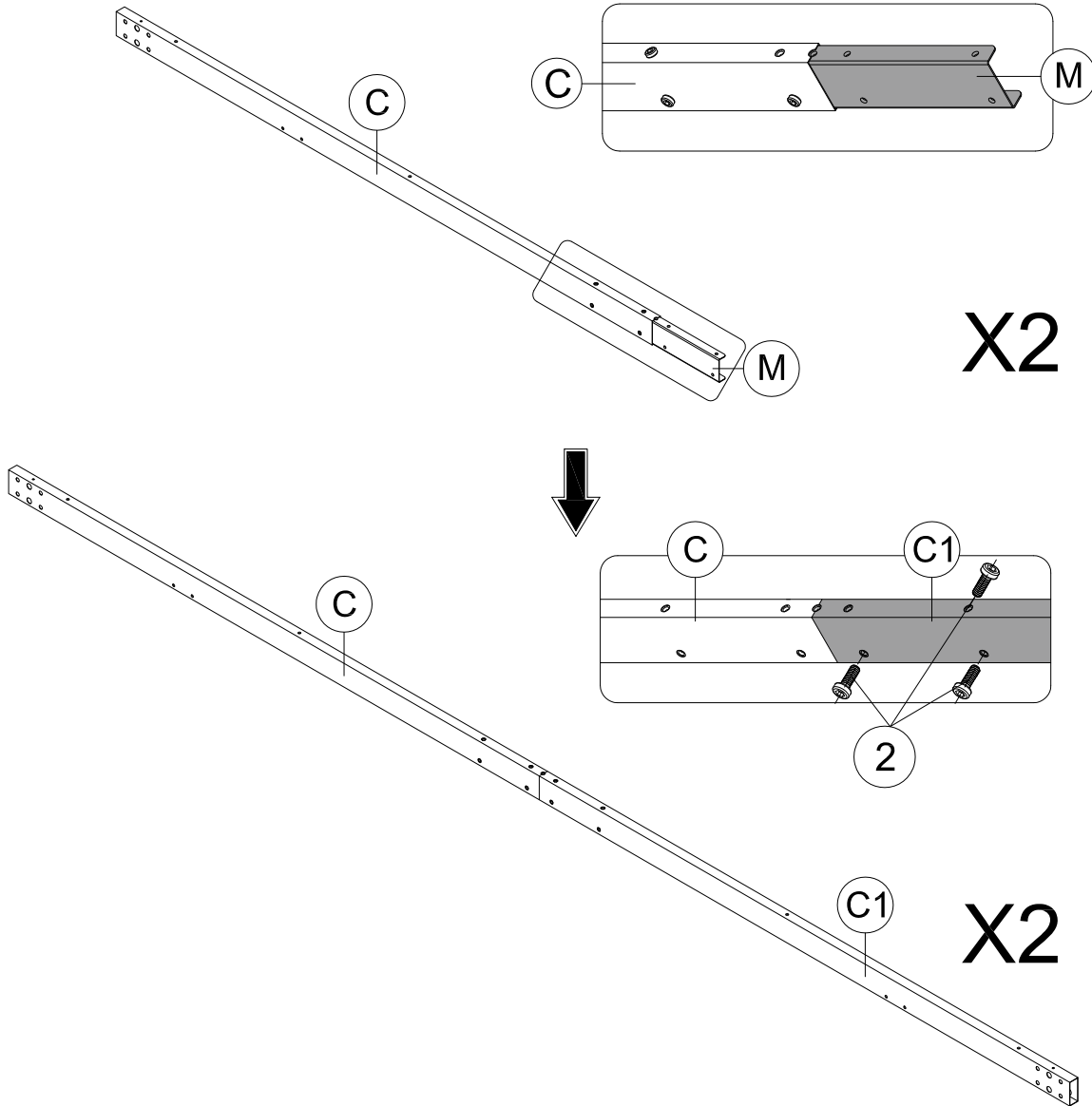
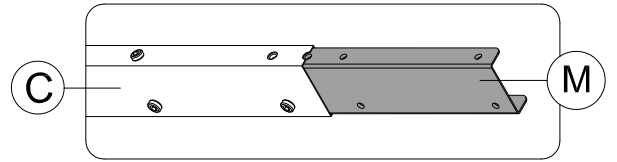
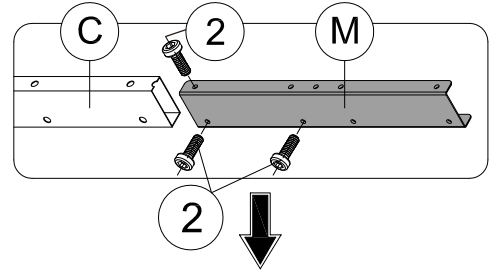
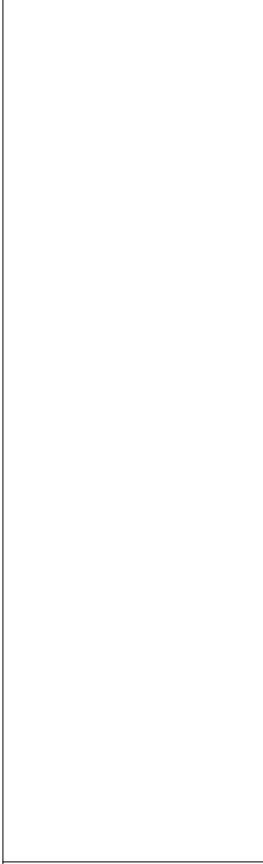
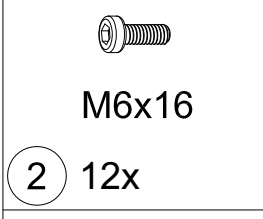
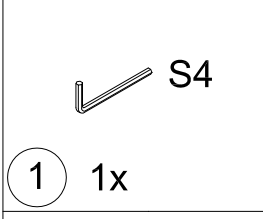
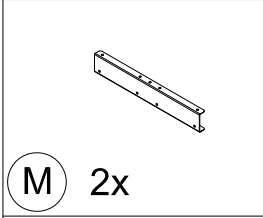
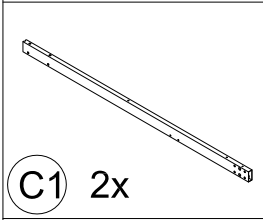
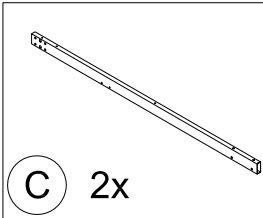
T 48x

(1) Slide the plastic hooks to the double-rail track #F & F1 (each slot should slide 6 plastic hooks).



7

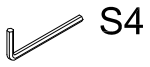
(2) Repeat the above procedures for another track #F & F1.



- (1) Insert Part #M into part #C, and secure with 3 bolts #2.
- (2) Insert the other side of part #M into part #C1 and secure with 3 bolts #2.
- (3) Repeat the above procedures for another beam #C & C1.



(N1) 2x

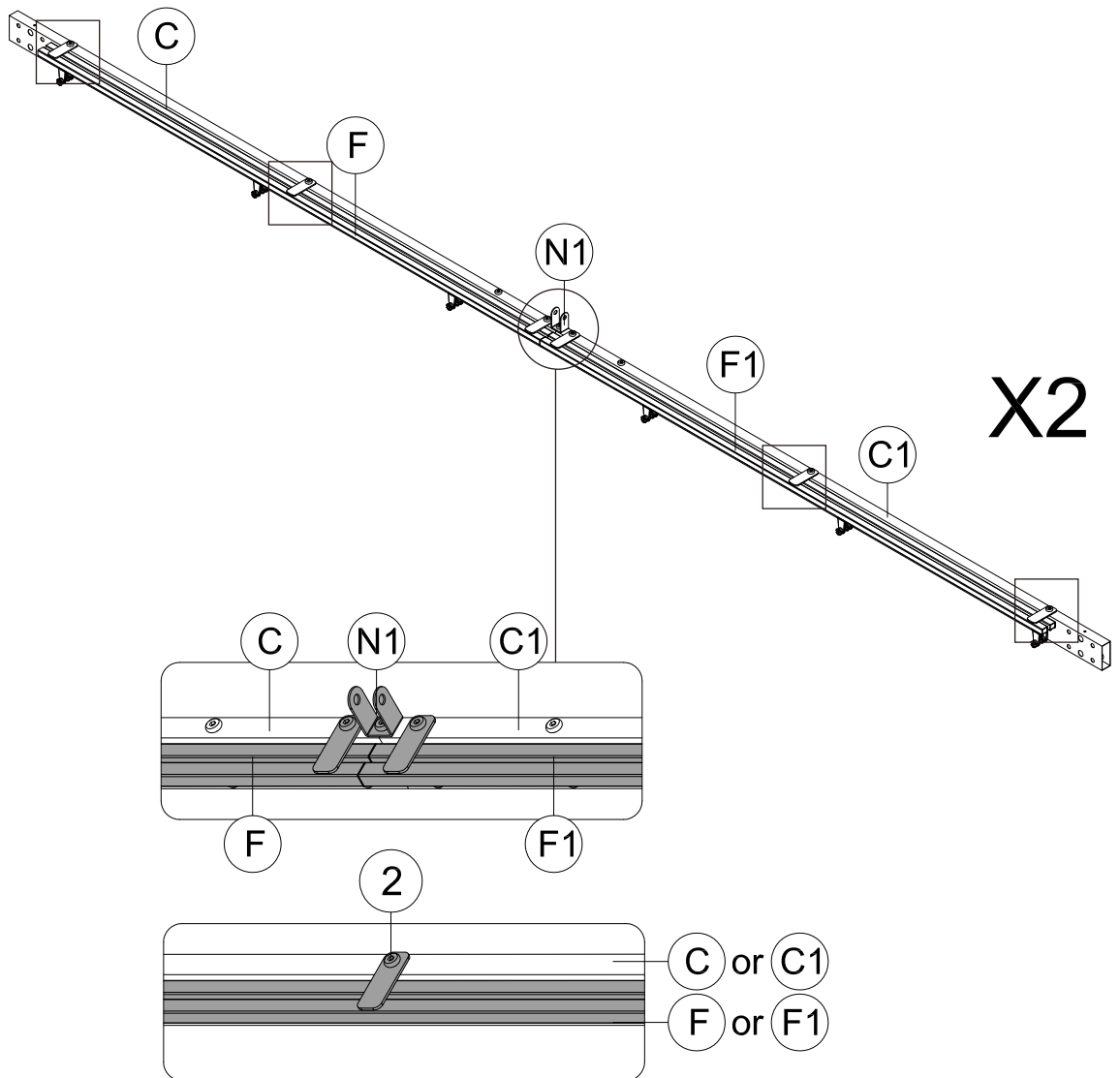


(1) 1x

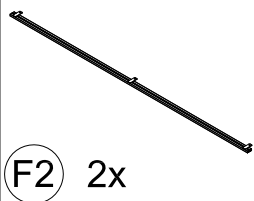


M6x16

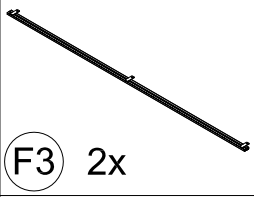
(2) 14x



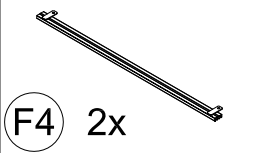
- (1) Use 6 bolts #2 to secure track #F & F1 to the beam #C & C1.
- (2) Attach Bracket #N1 to the joint of #C & C1 with bolt #2.
- (3) Repeat the above procedures for another beam #C & C1.



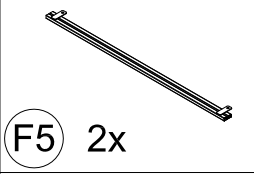
F2 2x



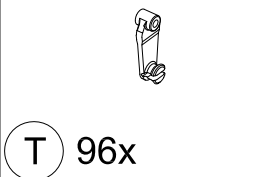
F3 2x



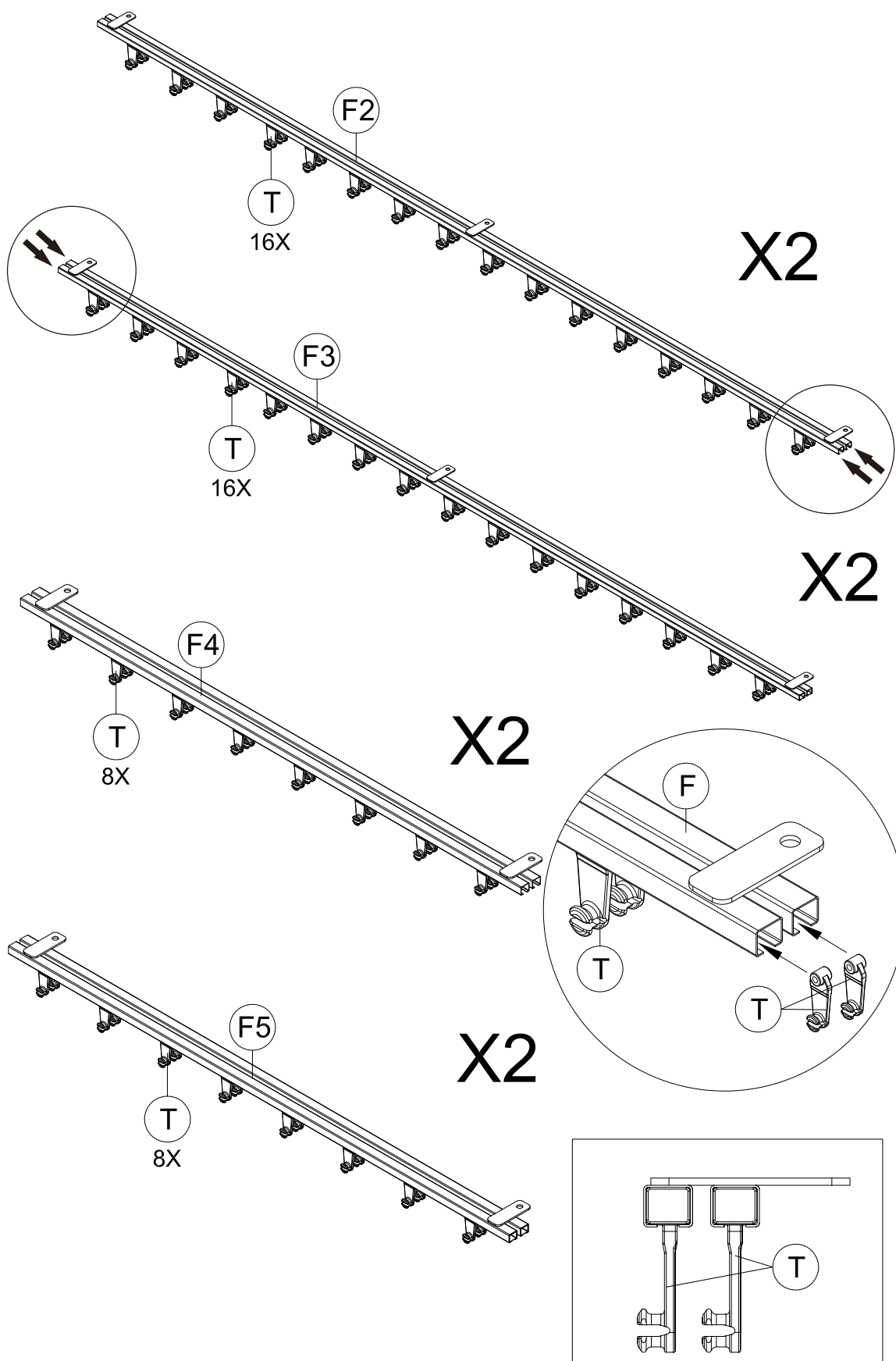
F4 2x



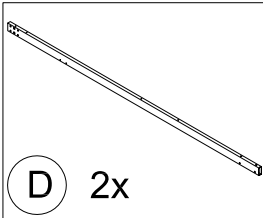
F5 2x



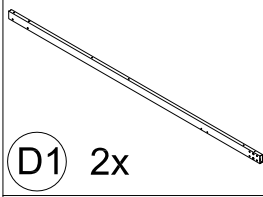
T 96x



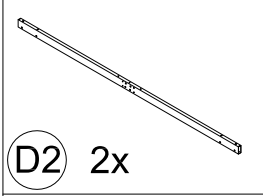
- (1) Slide the plastic hooks to the double-rail track #F2 & F3 (each slot should slide 16 plastic hooks).
- (2) Slide the plastic hooks to the double-rail track #F4 & F5 (each slot should slide 8 plastic hooks).
- (3) Repeat the above procedures for the other tracks.



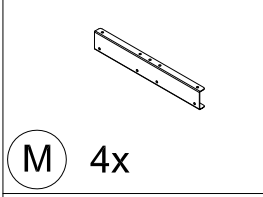
D 2x



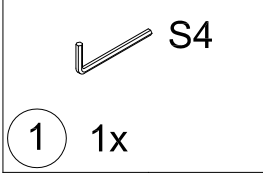
D1 2x



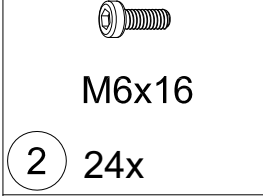
D2 2x



M 4x

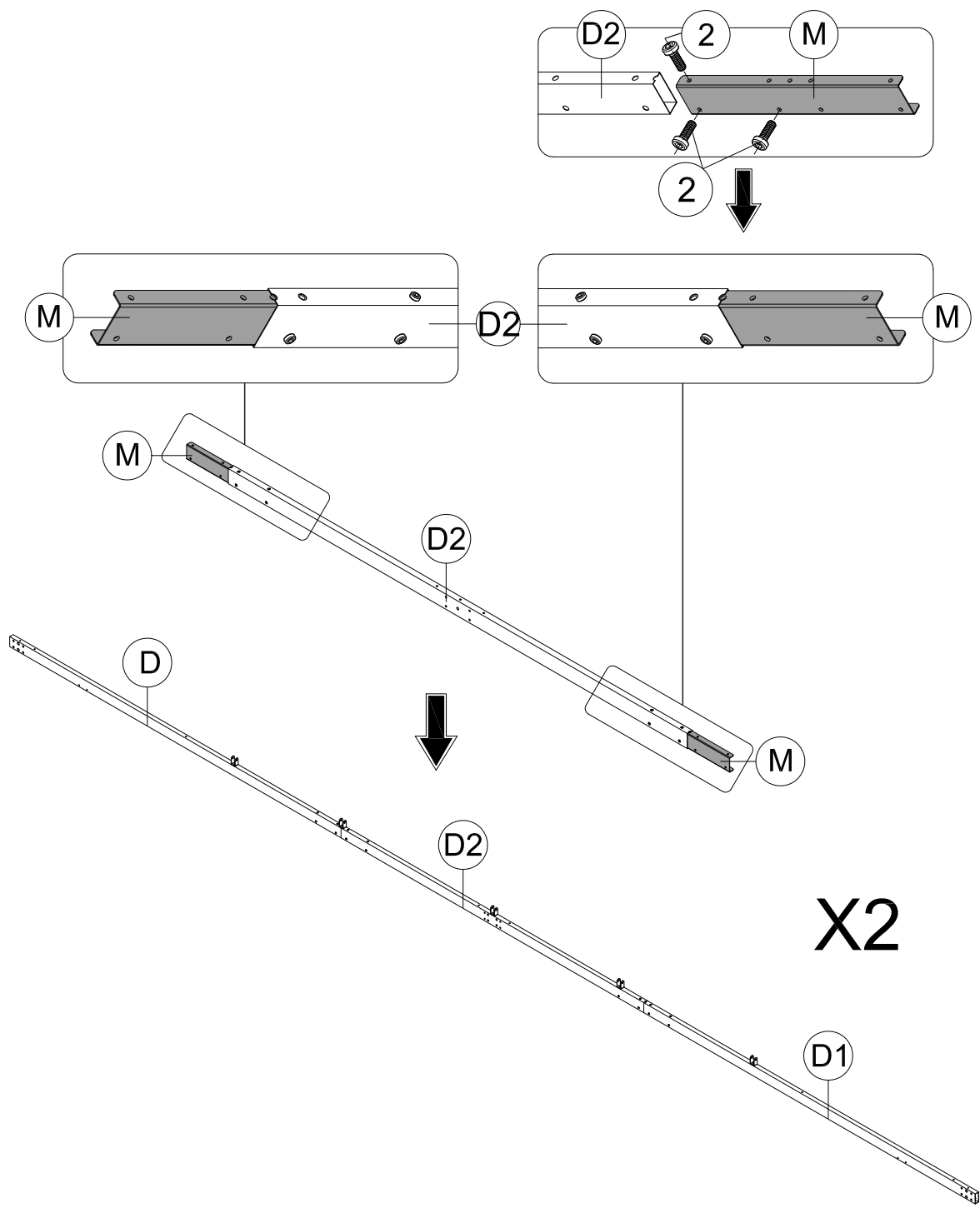


1 1x



M6x16

2 24x



- (1) Insert part #M into part #D2, and secure with 3 bolts #2.
- (2) Insert another part #M into the other side of part #D2 and secure with 3 bolts #2.
- (3) Connect part #D and # D1 to part #M with 6 bolts #2.
- (4) Repeat the above procedures for another long beam.



N1 10x

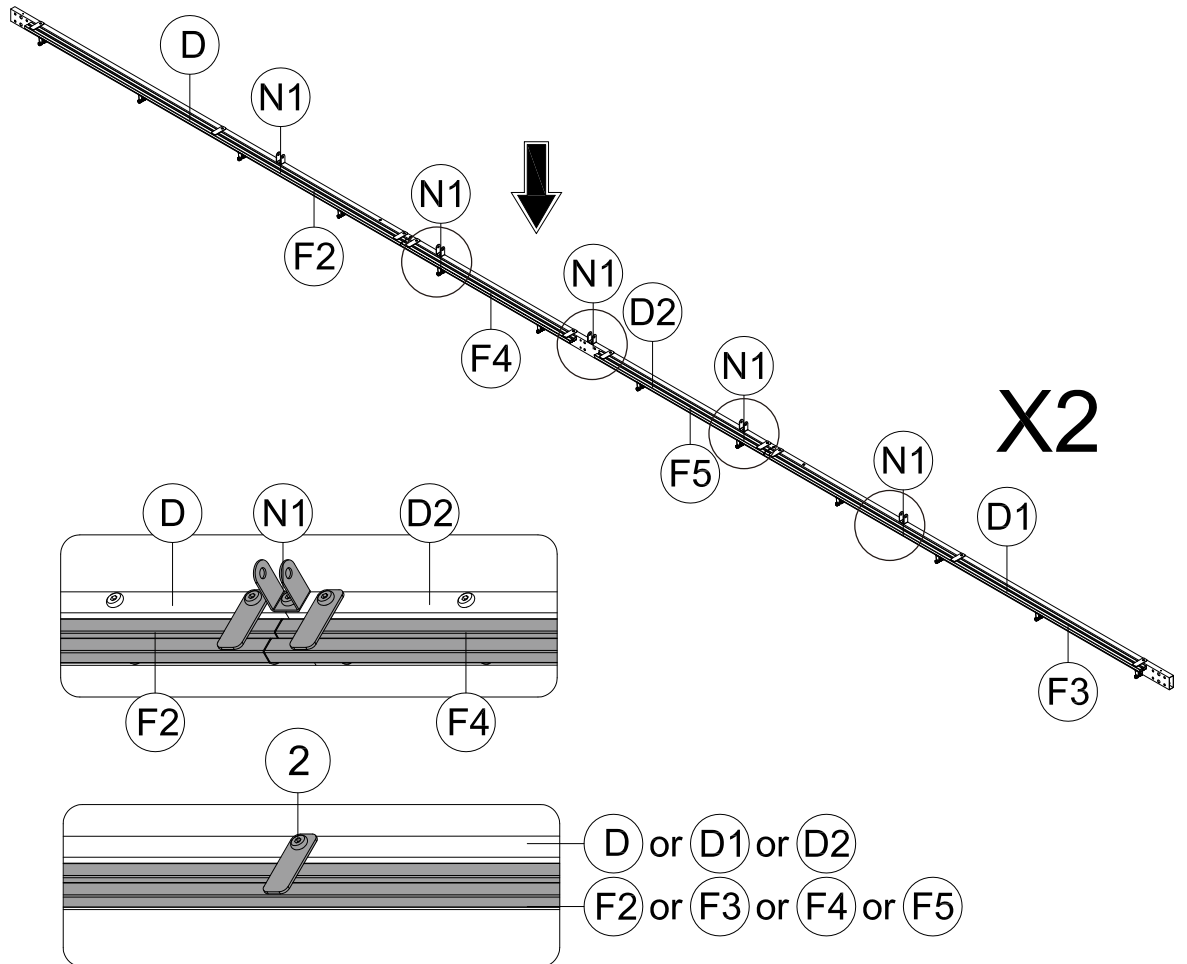


1 1x



M6x16

2 30x



X2

(1) Use 10 bolts #2 to secure track #F2 & F4 & F5 & F3 to the beam #D & D2 & D1.

(2) Attach 5 brackets #N1 to the beam #D & D2 & D1 with 5 bolts #2.

(3) Repeat the above procedures for another long beam.



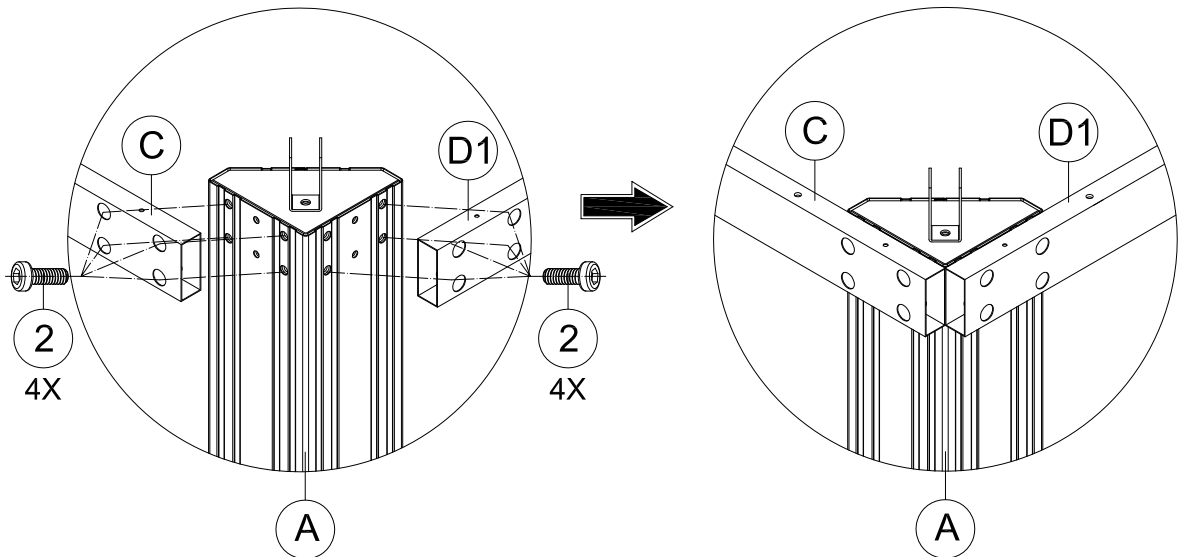
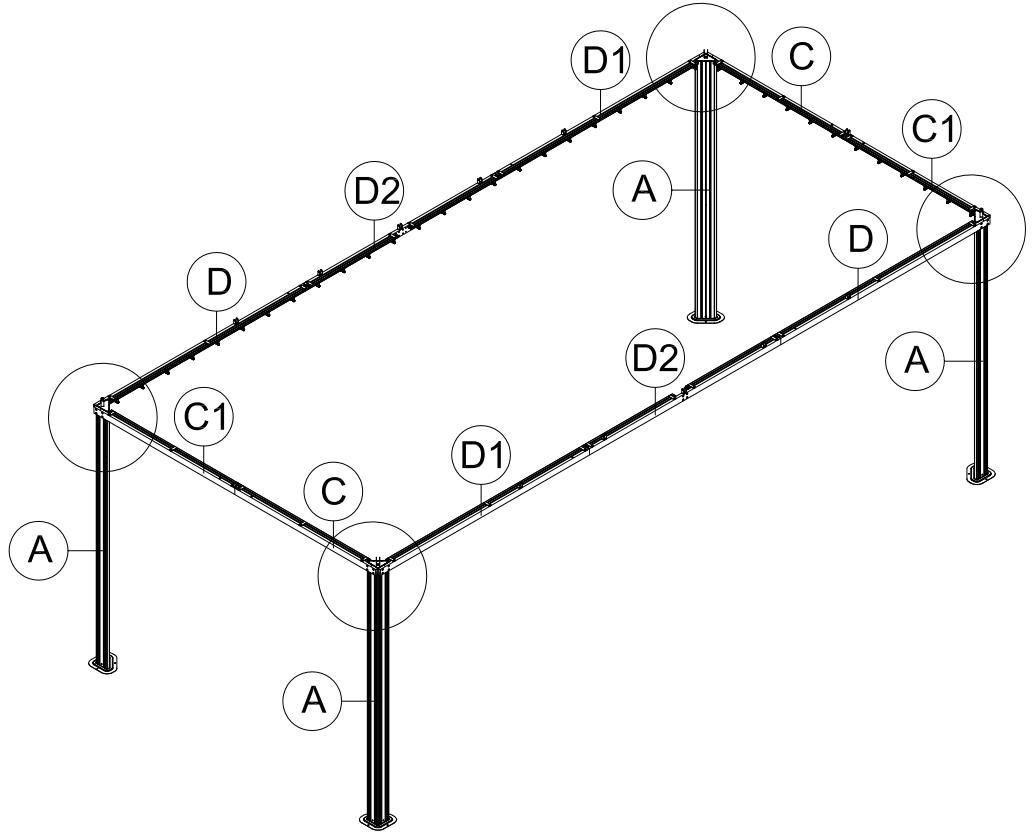
S4

1 1x



M6x16

2 32x



(1) Connect part #C and #D1 to post #A with 8 Bolts #2.  
(From Outside)

(2) Repeat the above procedures for the other three corner posts.



S4

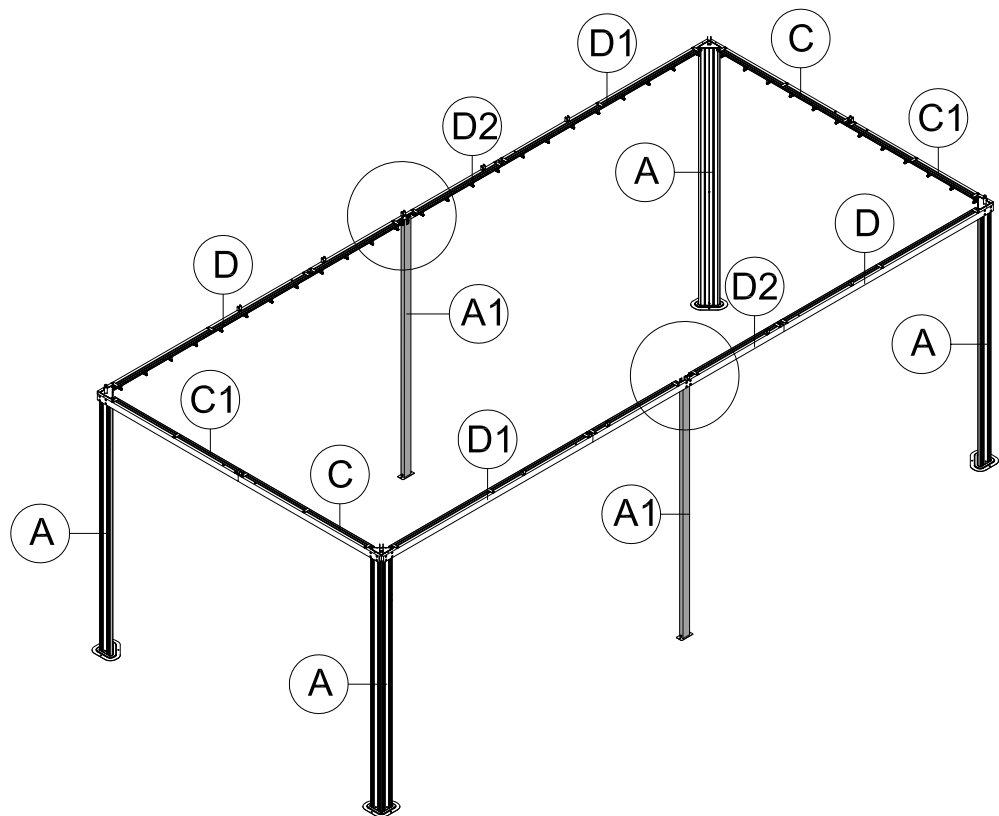
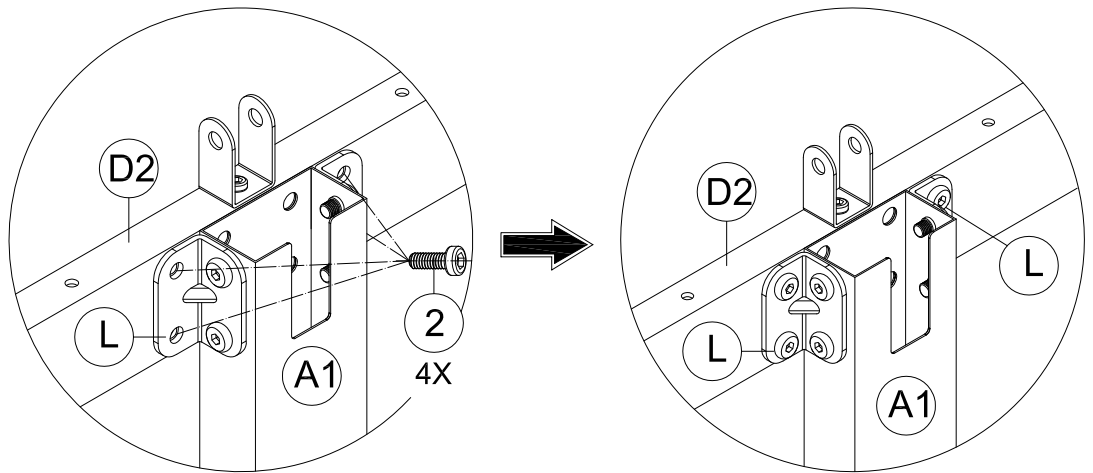
1 1x



M6x16

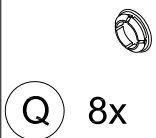
2 8x

Inside View

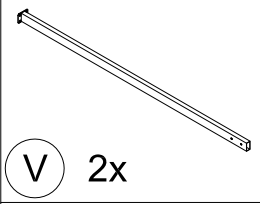


(1) Attach part #L to the long beam #D2 with 4 bolts #2  
(From Inside).

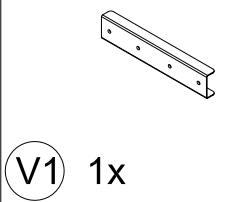
(2) Repeat the above procedure for another middle post # D2.



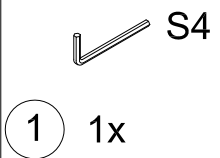
Q 8x



V 2x



V1 1x



1 1x

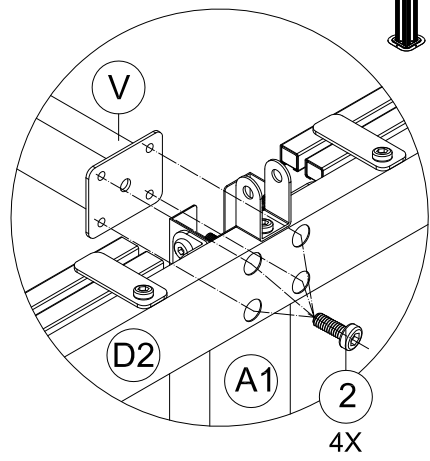
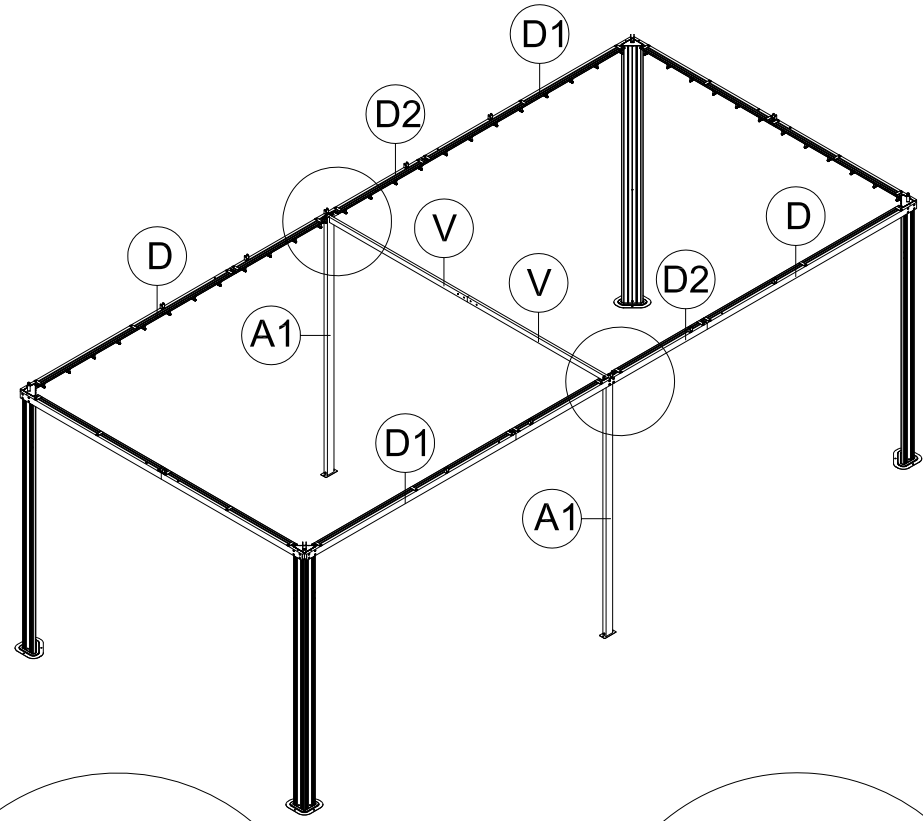
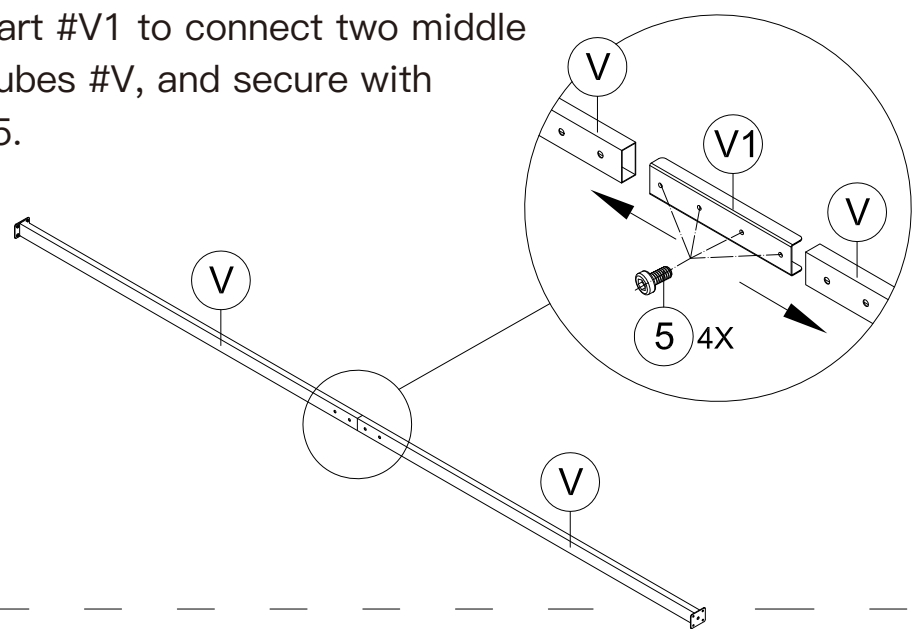


2 8x

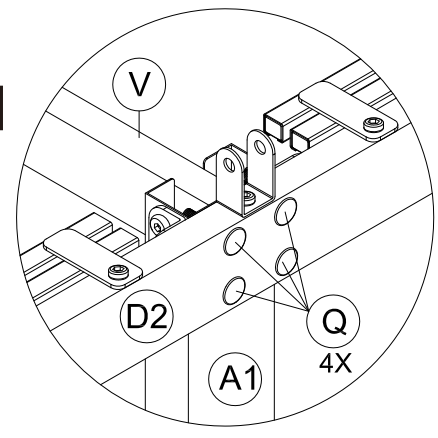


5 4x



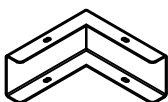
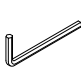
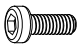

(1) Use part #V1 to connect two middle support tubes #V, and secure with 4 bolts #5.



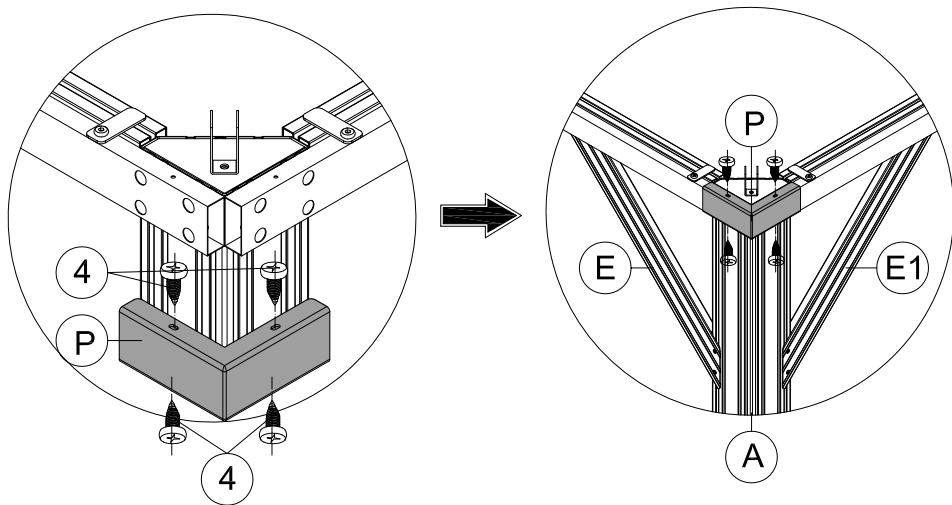
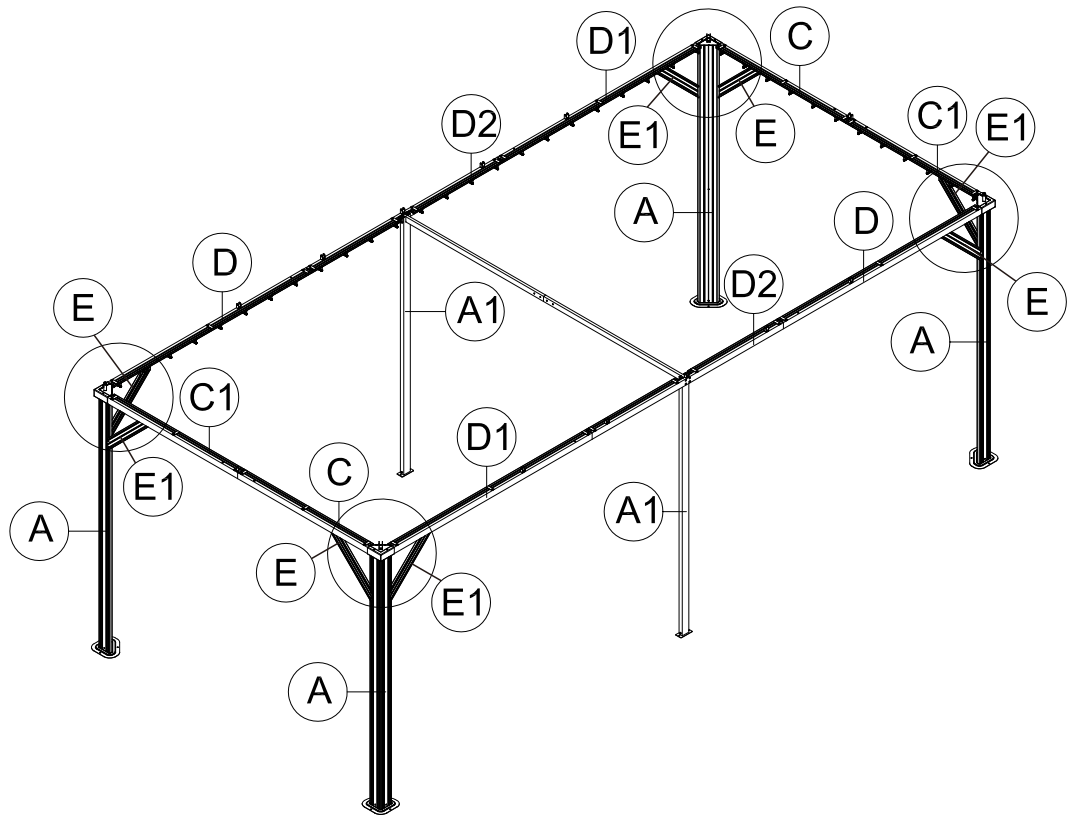
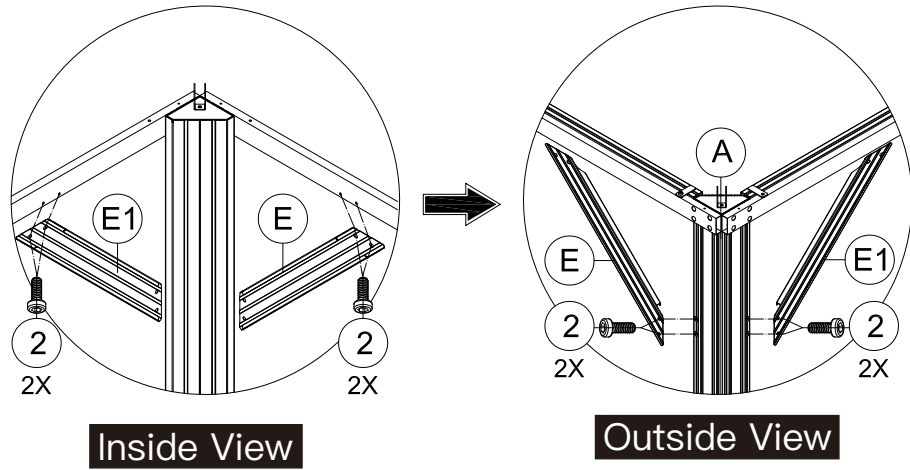
Outside View



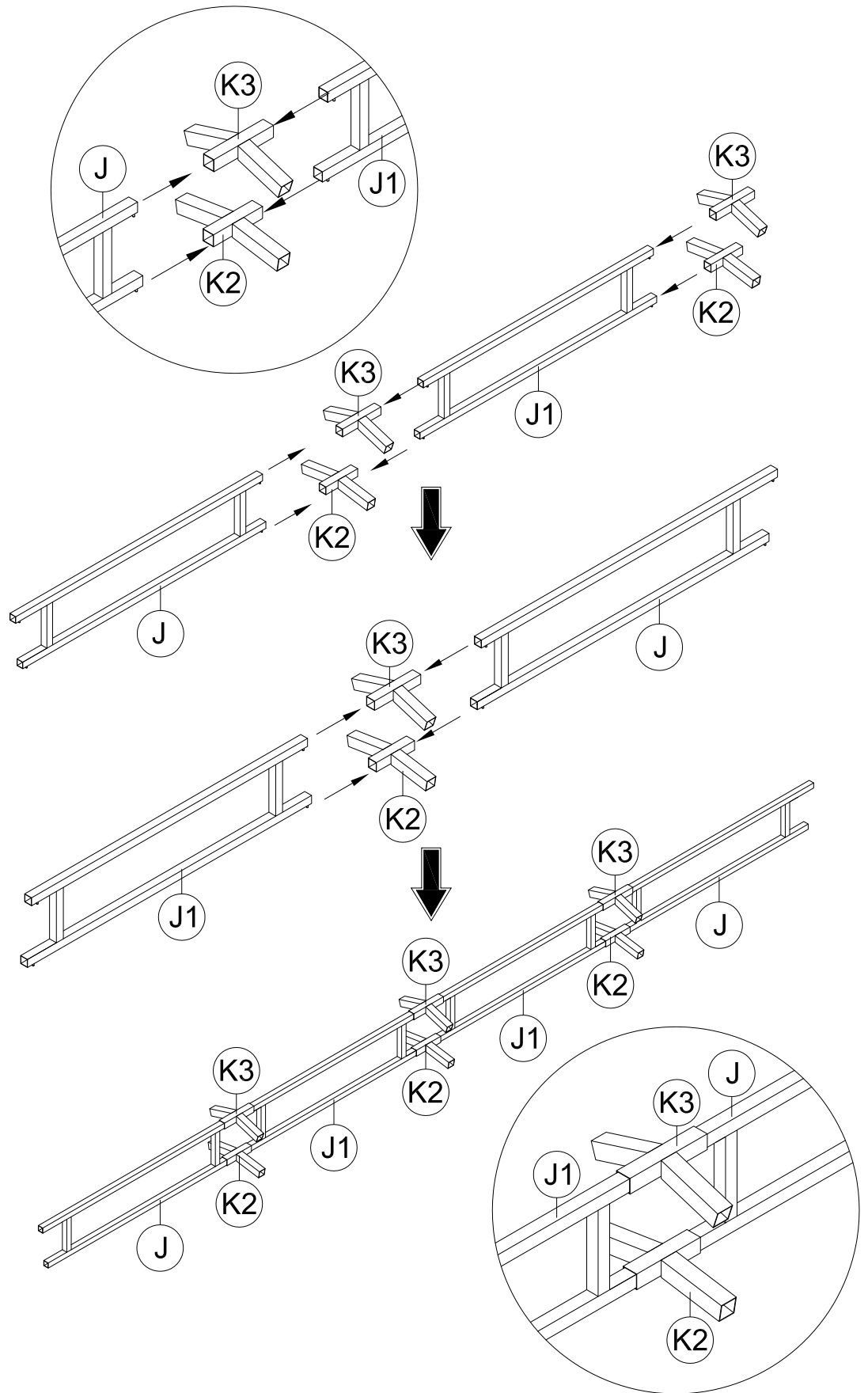
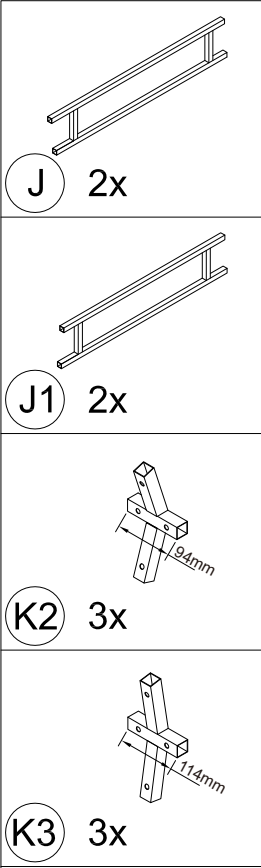
(2) Use 4 bolts #2 to attach middle support tubes #V to beam #D2.  
(3) Repeat the above procedures for another side.  
(4) Cover with plastic cap #Q(from outside).

-  **E** 4x
-  **E1** 4x
-  **P** 4x
-  **S4**
- 1** 1x
-  **M6x16**
- 2** 32x
-  **ST5x16**
- 4** 16x

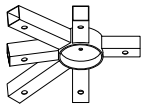
(1) Affix part #E & #E1 to the frame with 8 bolts #2.



- (2) Attach the corner with corner cover #P.
- (3) Secure with 4 Self-tapping bolts #4.
- (4) Repeat the above procedures for the other three corners.

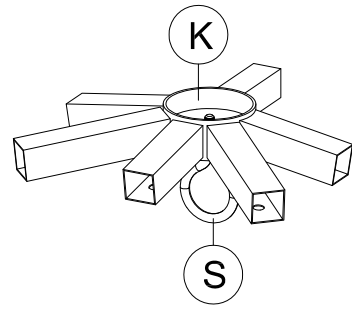
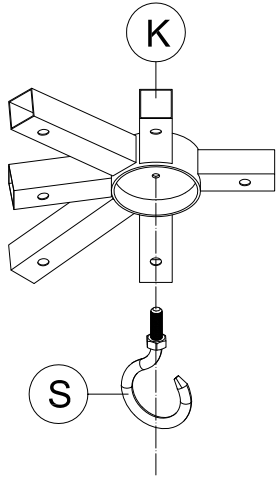


- (1) Connect part #J and part J1 with part #K3 & K2.
  - (2) Connect part #J1 and part J with part #K3 & K2.
  - (3) Use part #K3 & K2 to combine the 2 assembled roof support tubes ( J & J1, J1 & J ) as shown.
- ⚠ Pay attention to the mounting position of K2 & K3.

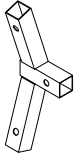


(1) Secure top hooks #S to Part #K.

(K) 2x

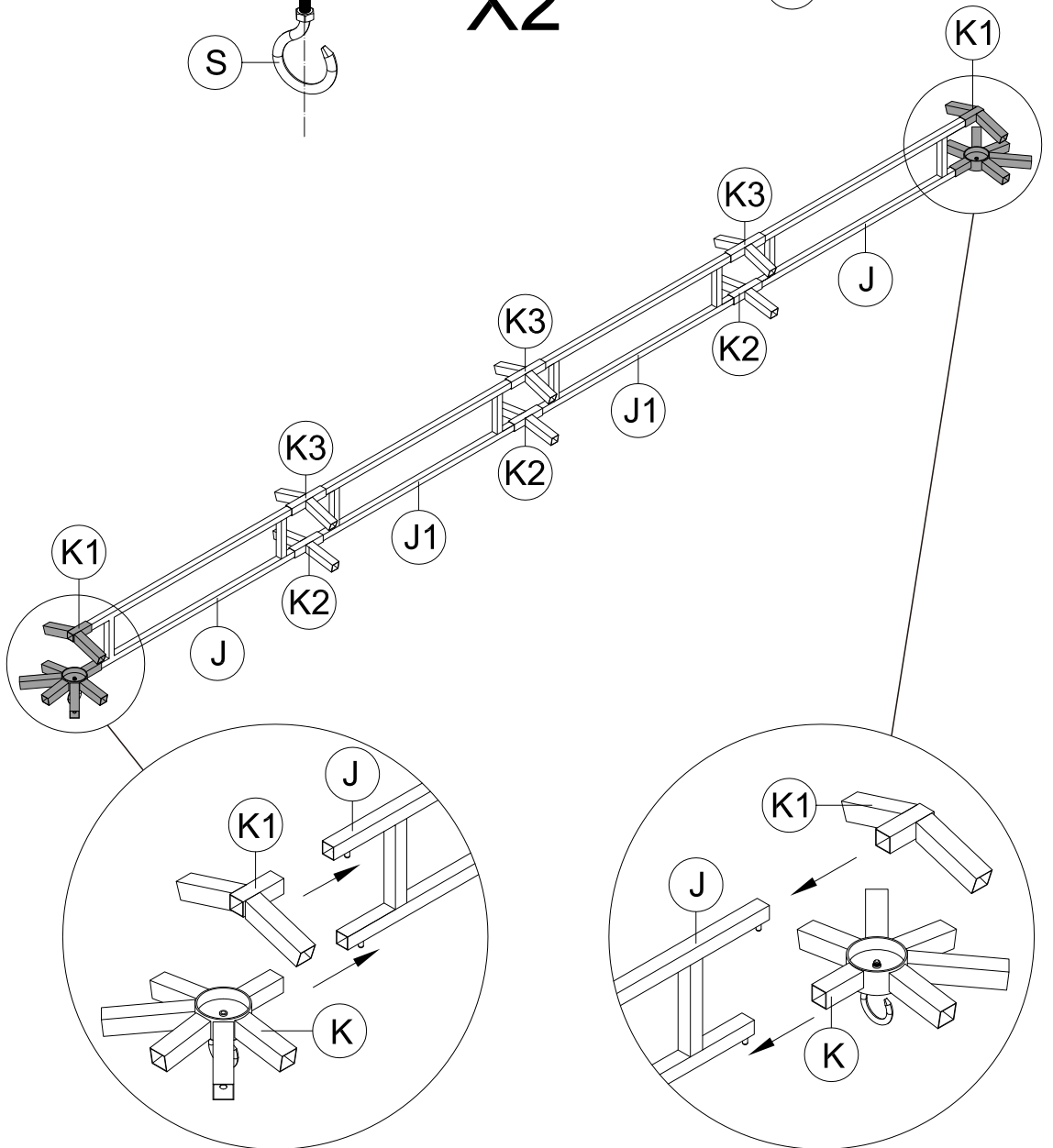
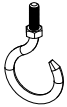


(K1) 2x



X2

(S) 2x



(2) Connect part #J with part #K1 & K.

(3) Repeat the above procedures for another side.

Note: Each of the load-bearing capacity of the top hook shall not exceed 8 lbs.



H 4x



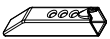
H1 4x



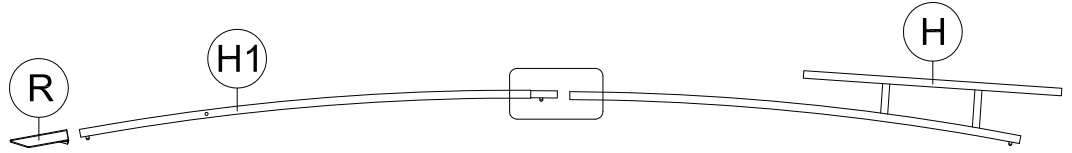
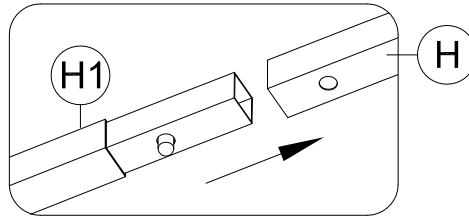
G 2x



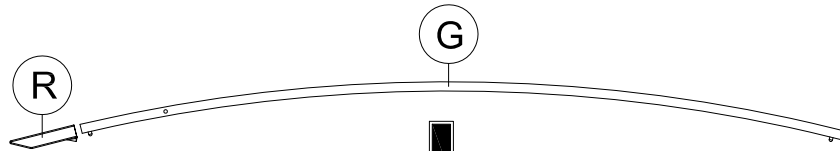
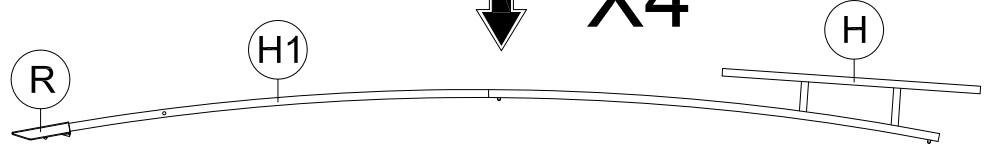
G1 10x



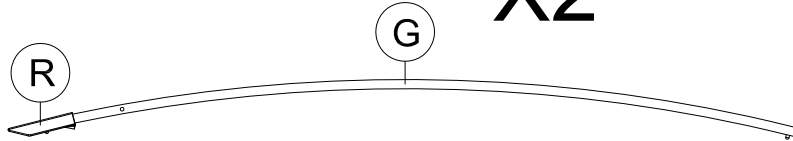
R 16x



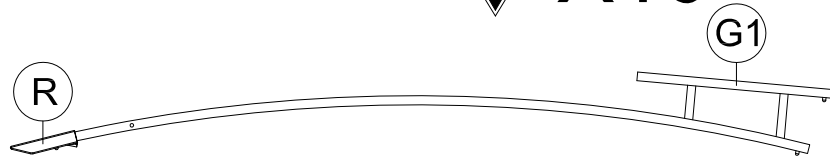
X4



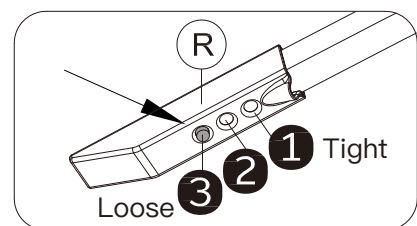
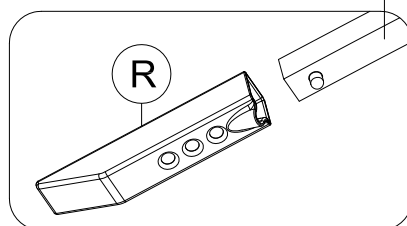
X2



X10


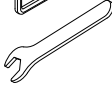



H1 or G or G1

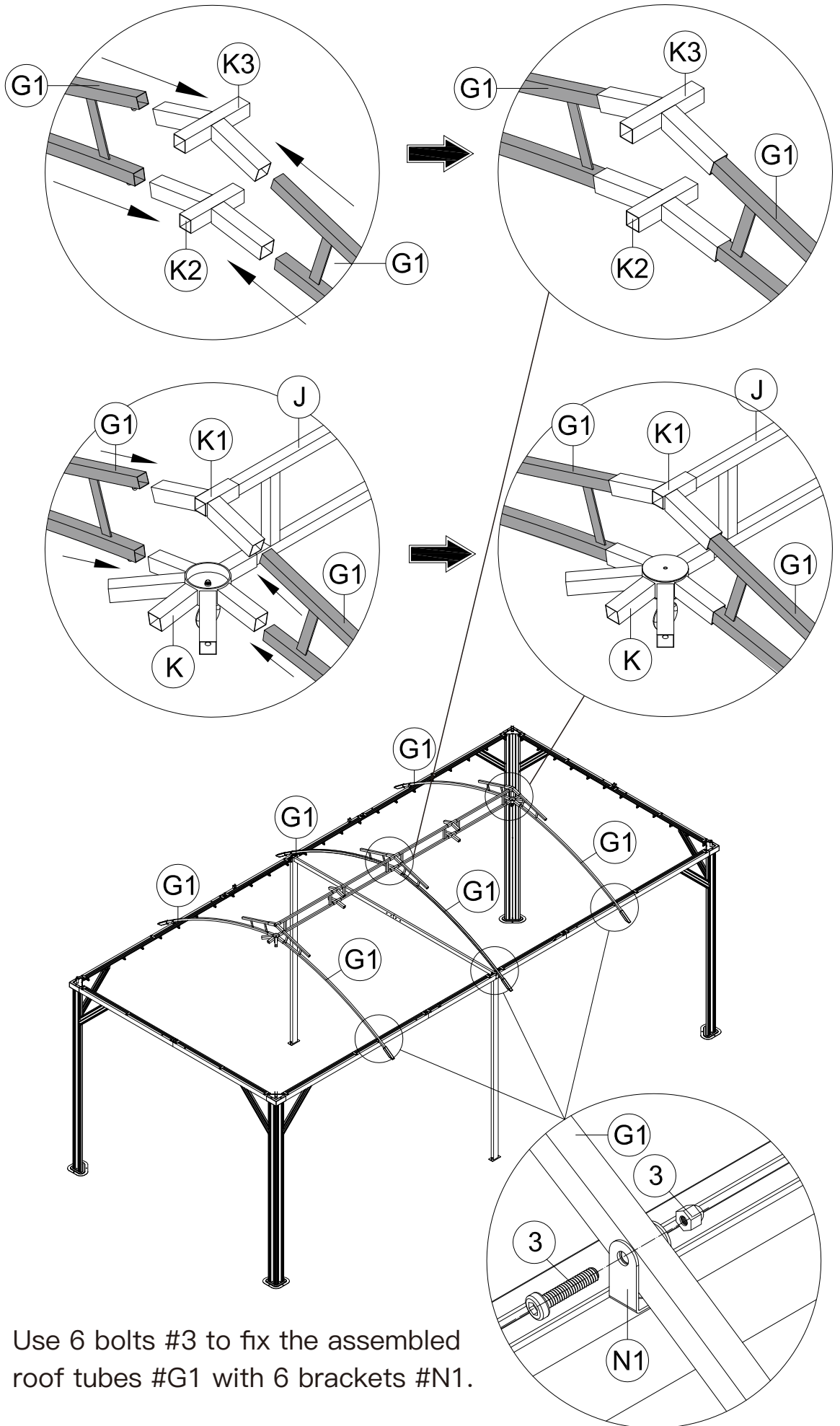


Insert the marble into the point (indicated by the arrow)

# Middle Roof Tube #G1 Assembly

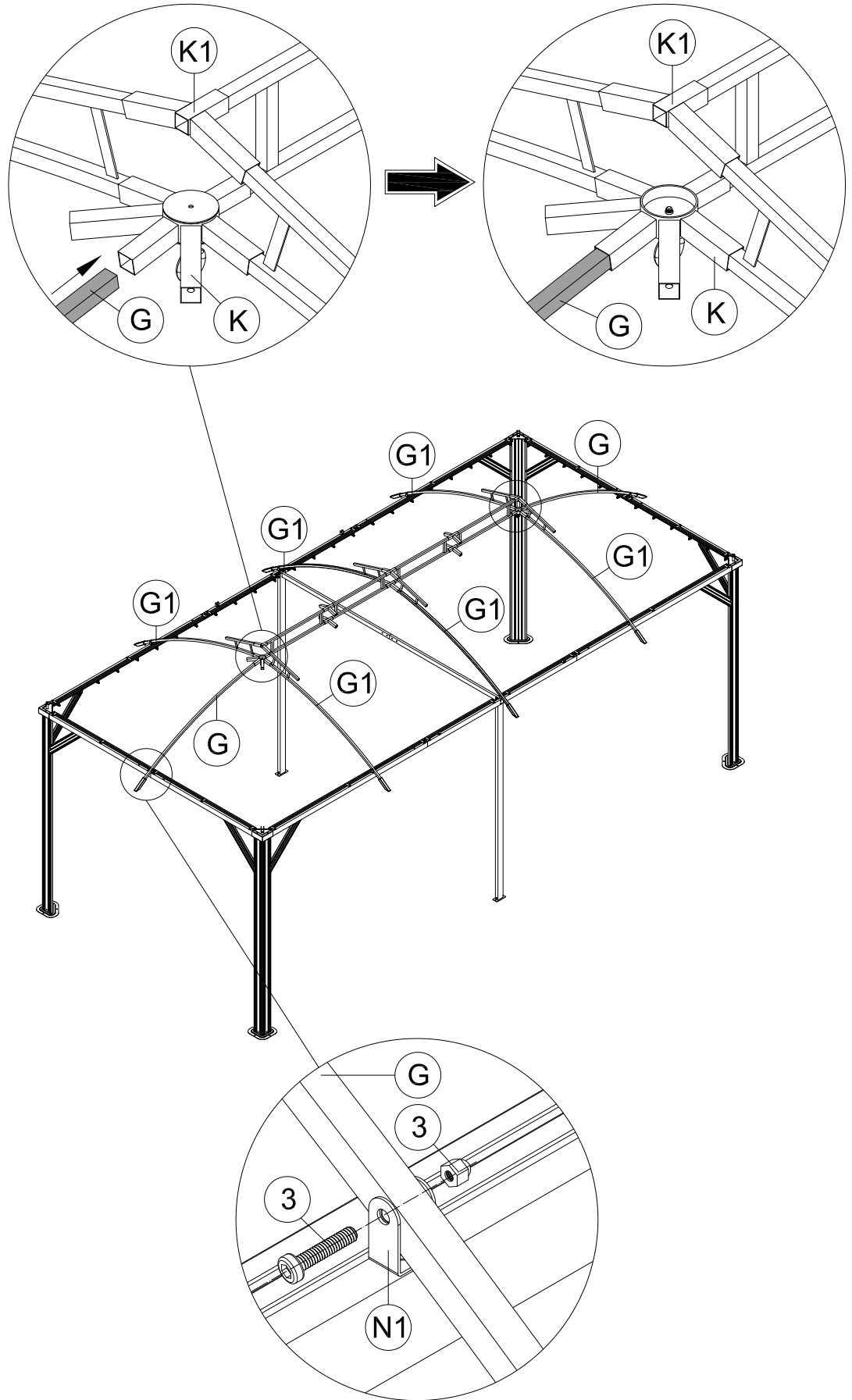
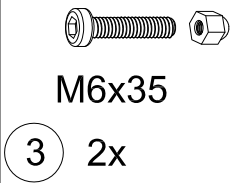
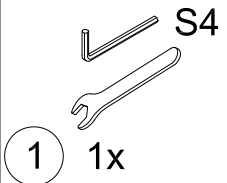
-  S4
- 
- 1 1x

- 
- M6x35
- 3 6x



Use 6 bolts #3 to fix the assembled roof tubes #G1 with 6 brackets #N1.

## Middle Roof Tube #G Assembly



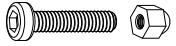
Use 2 bolts #3 to fix the assembled roof tubes #G with 2 brackets #N1.





S4

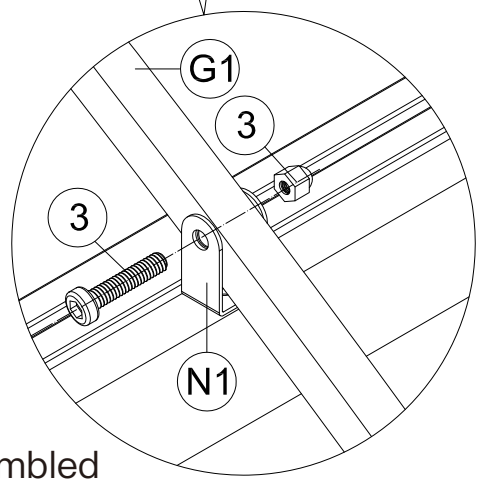
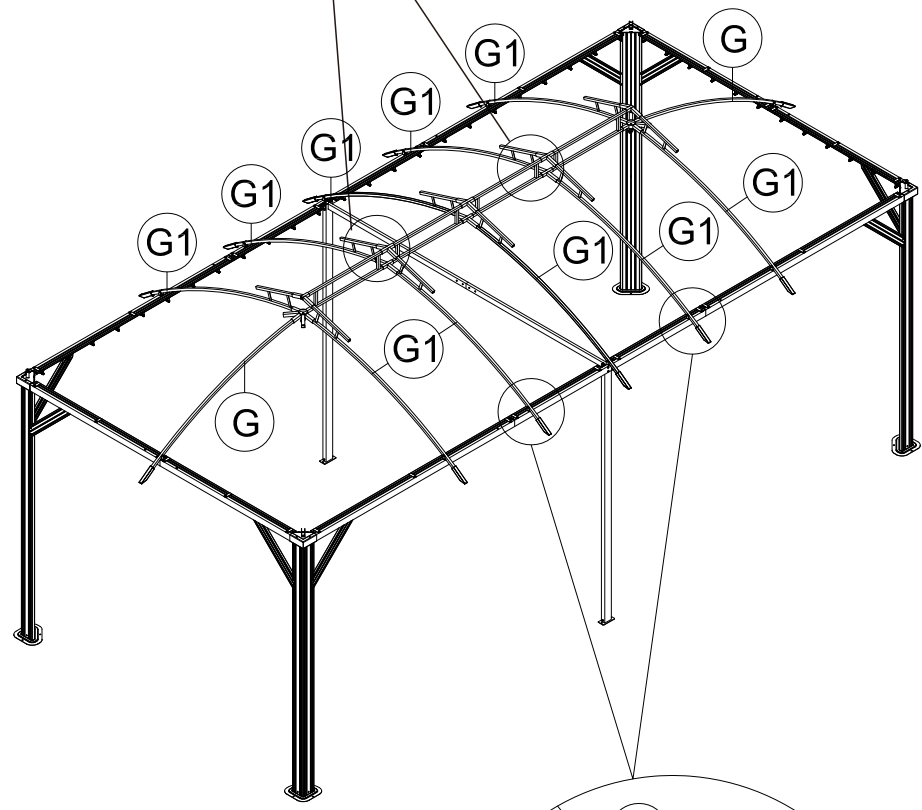
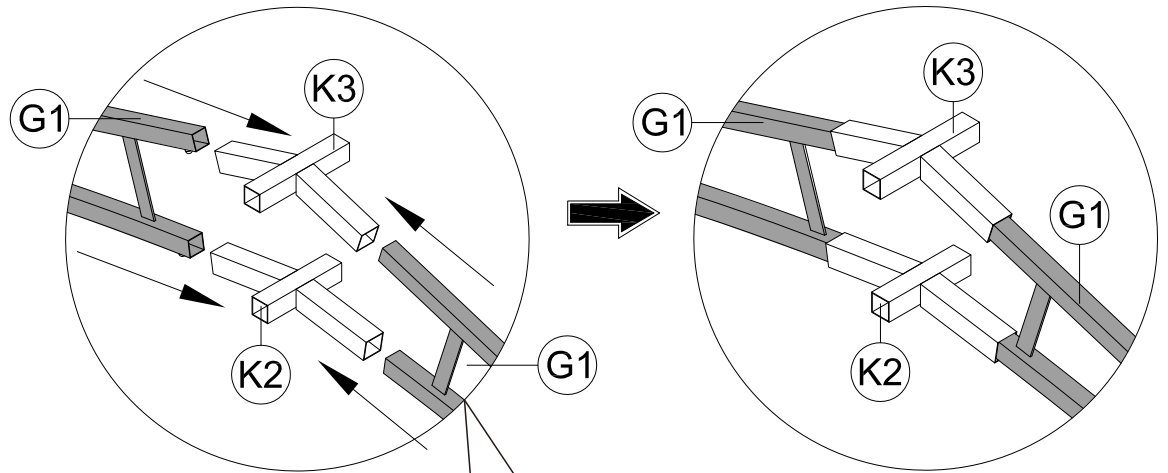
1 1x



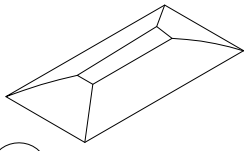
M6x35

3 4x

### Middle Roof Tube #G1 Assembly

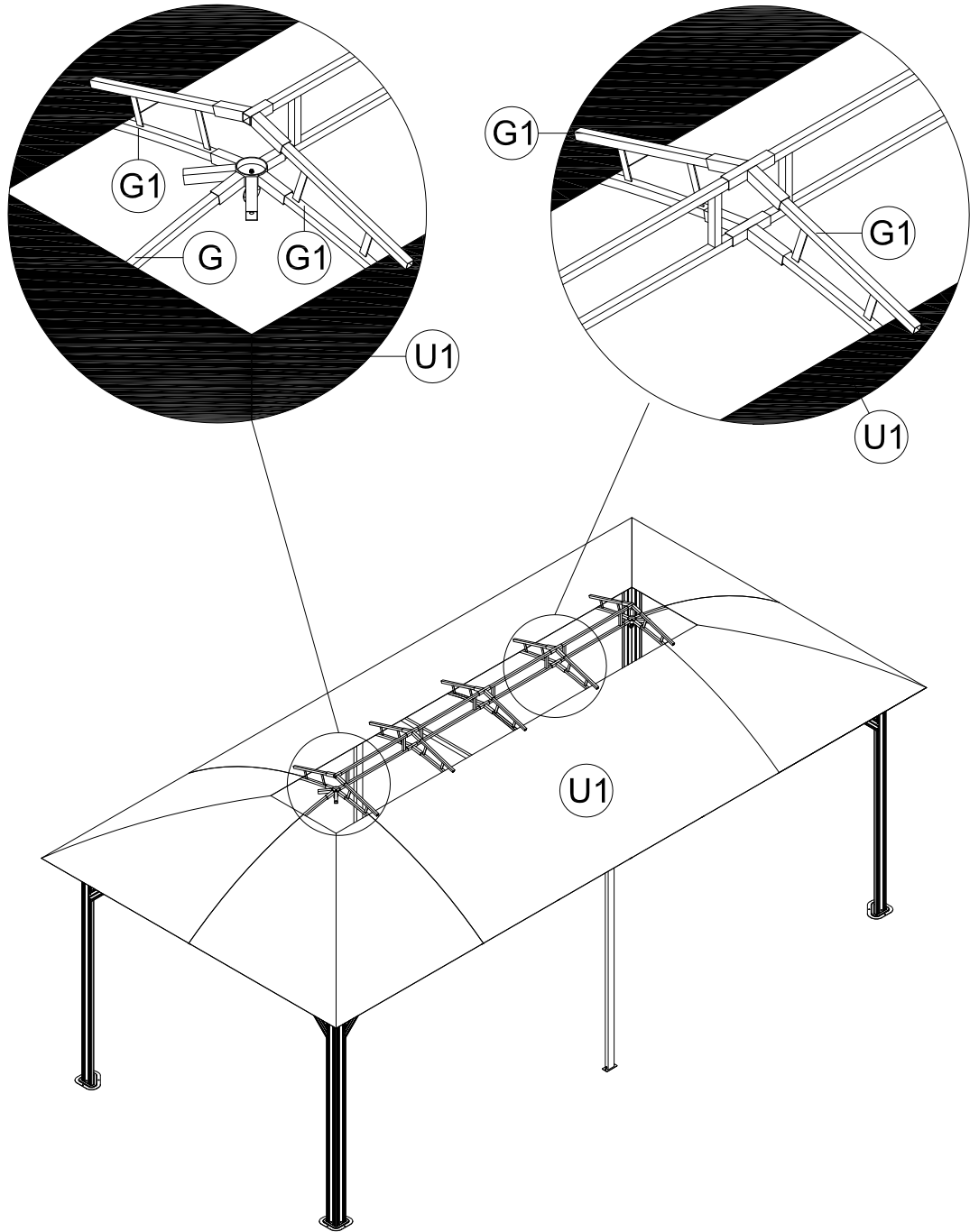


Use 4 bolts #3 to fix the assembled roof tubes #G1 with 4 brackets #N1.



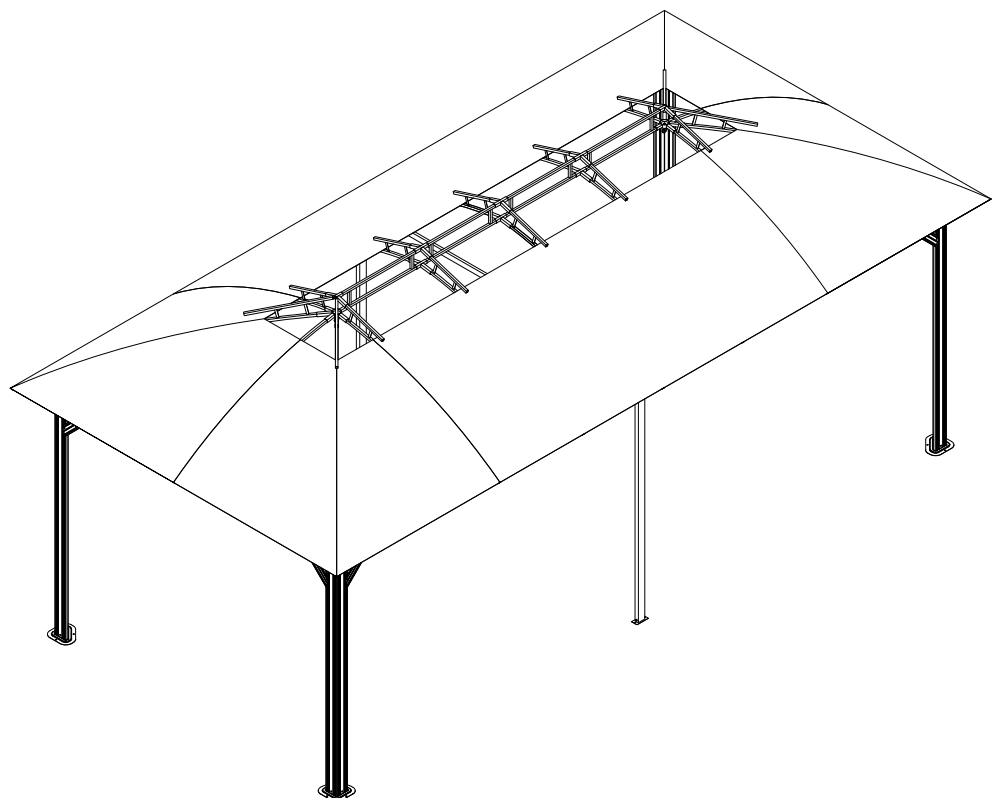
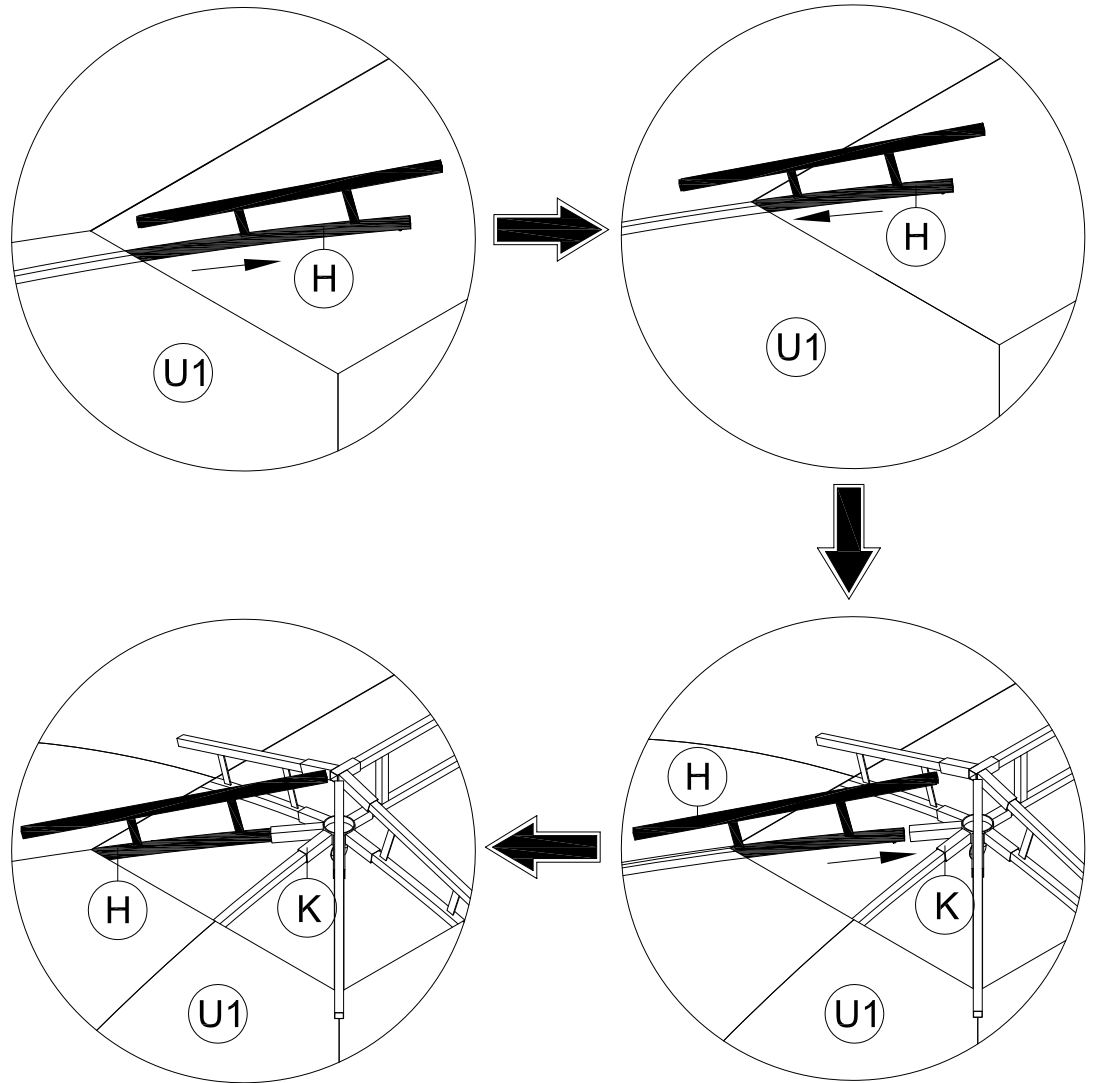
U1 1x

## Main Canopy #U1 Assembly



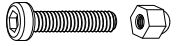
**Attention:** We highly recommend installing the corner roof tube **AFTER** the main canopy is installed.

**Corner Roof Tube #H Assembly:  
Insert 4 corner roof tubes #H to the roof connector #K.**



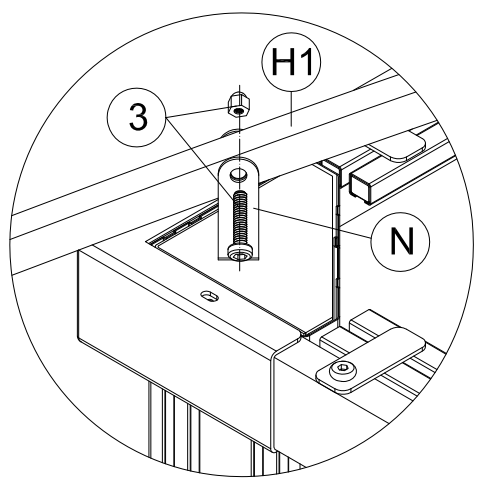
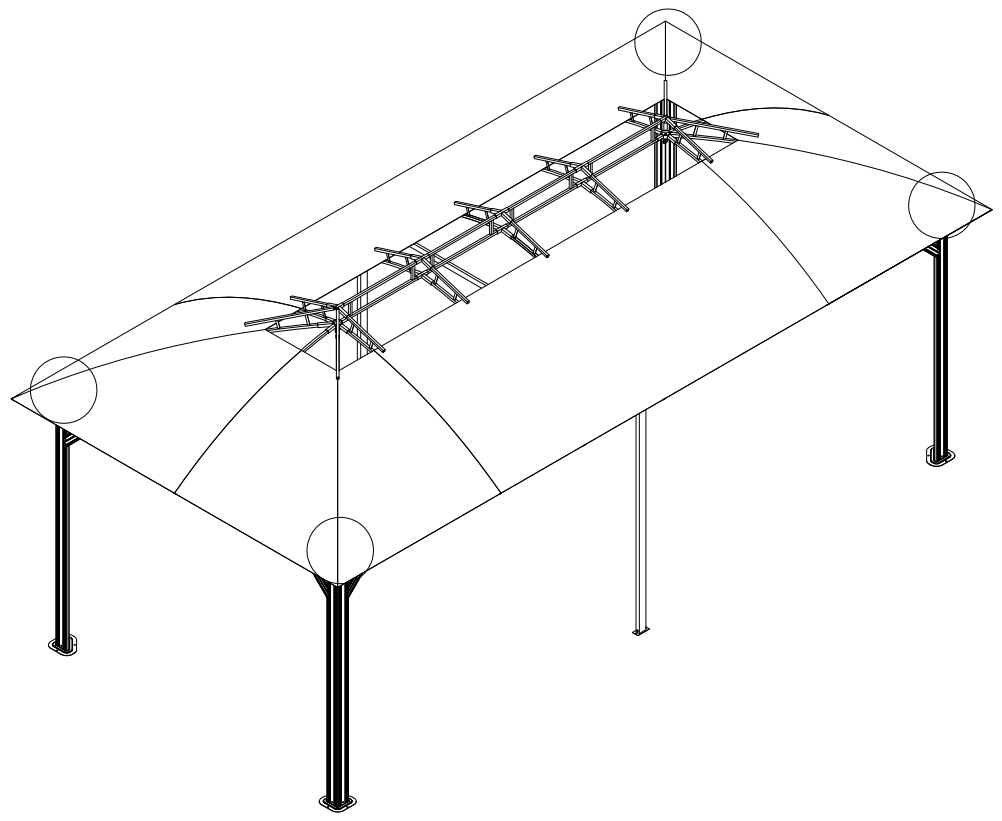


1 1x

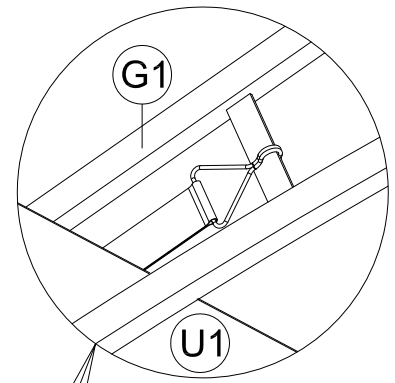
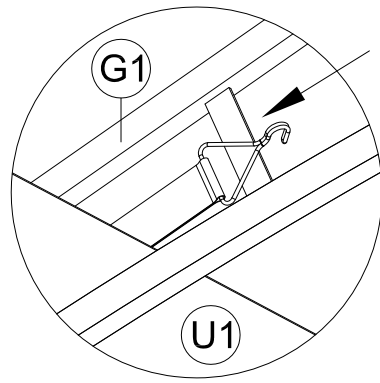


M6x35

3 4x

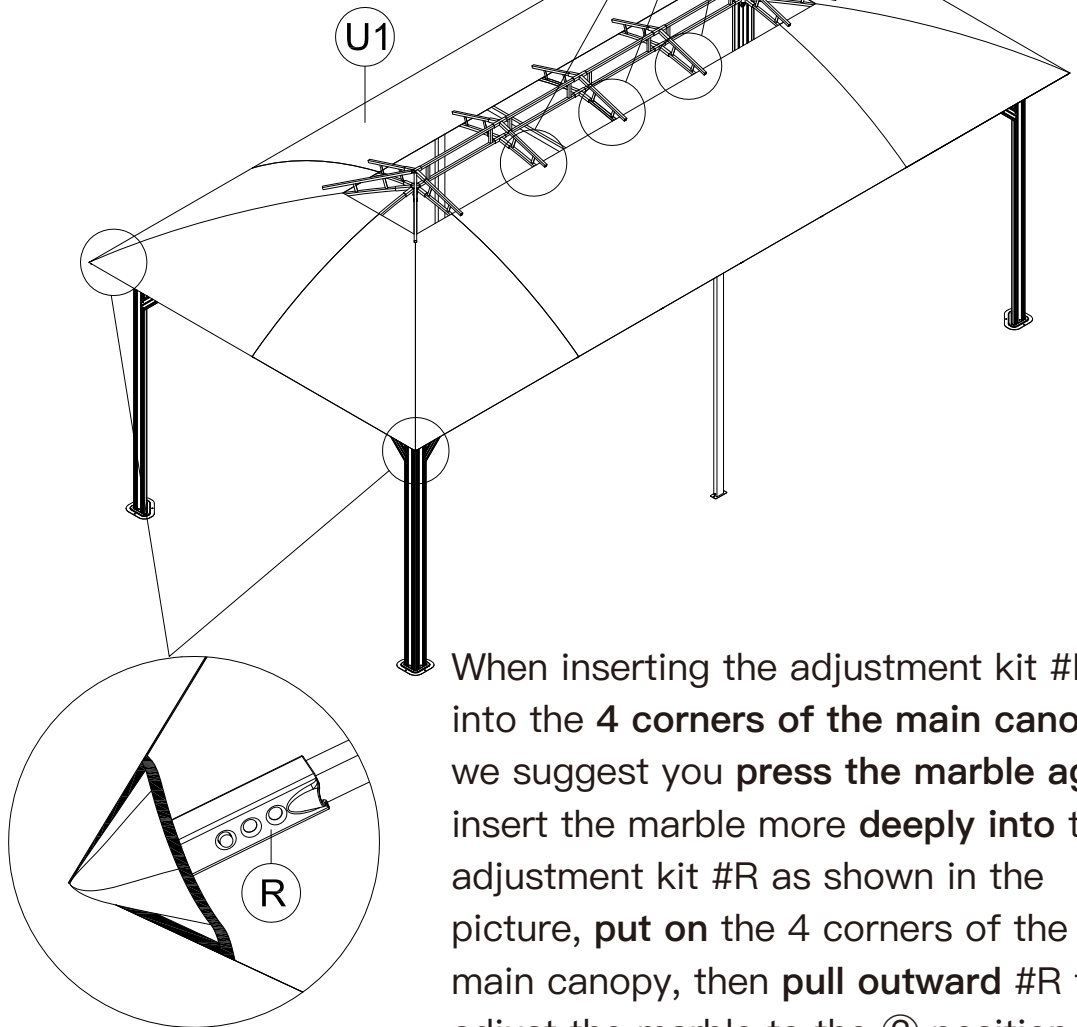


Use 4 bolts #3 to fix the assembled roof tubes #H1 with 4 brackets #N1.

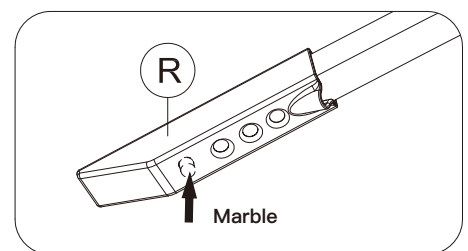
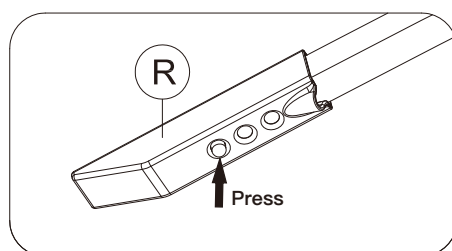


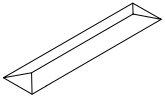
(1) Hang hooks to the tubes #G1.

(2) Insert 4 canopy adjustment kits #R into the corresponding pockets.



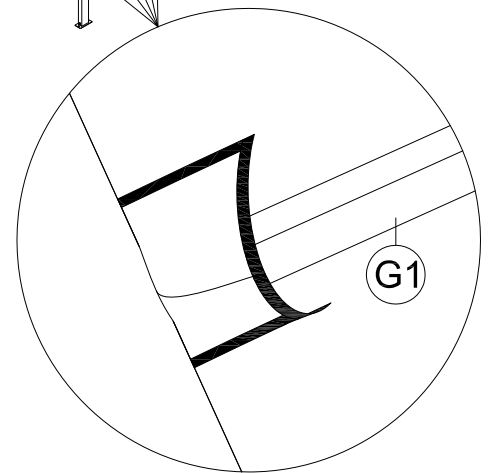
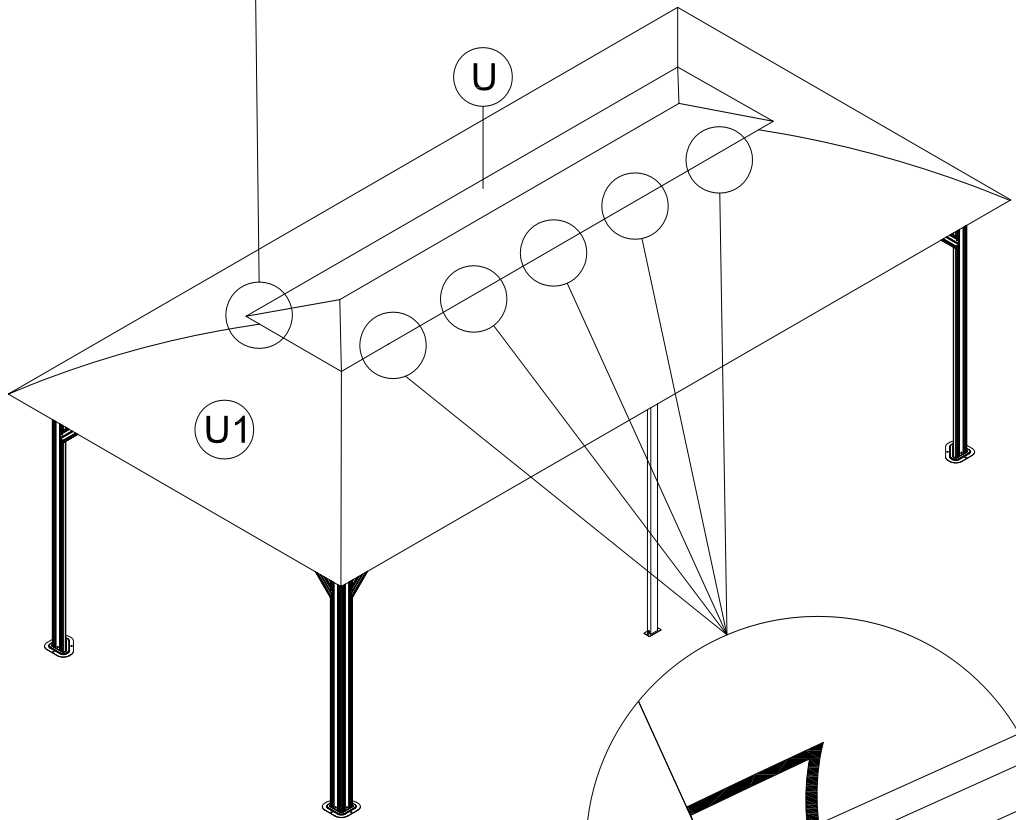
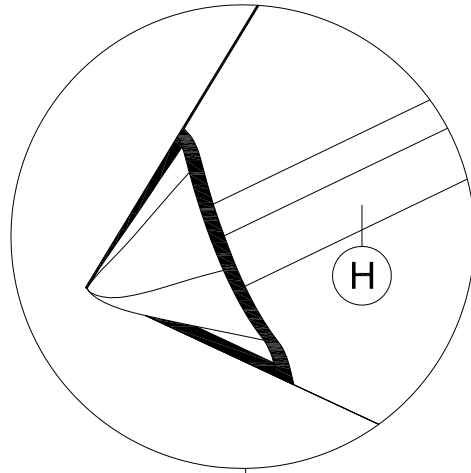
When inserting the adjustment kit #R into the 4 corners of the main canopy, we suggest you **press the marble again**, insert the marble more **deeply** into the adjustment kit #R as shown in the picture, **put on the 4 corners of the main canopy**, then **pull outward #R** to adjust the marble to the ③ position.

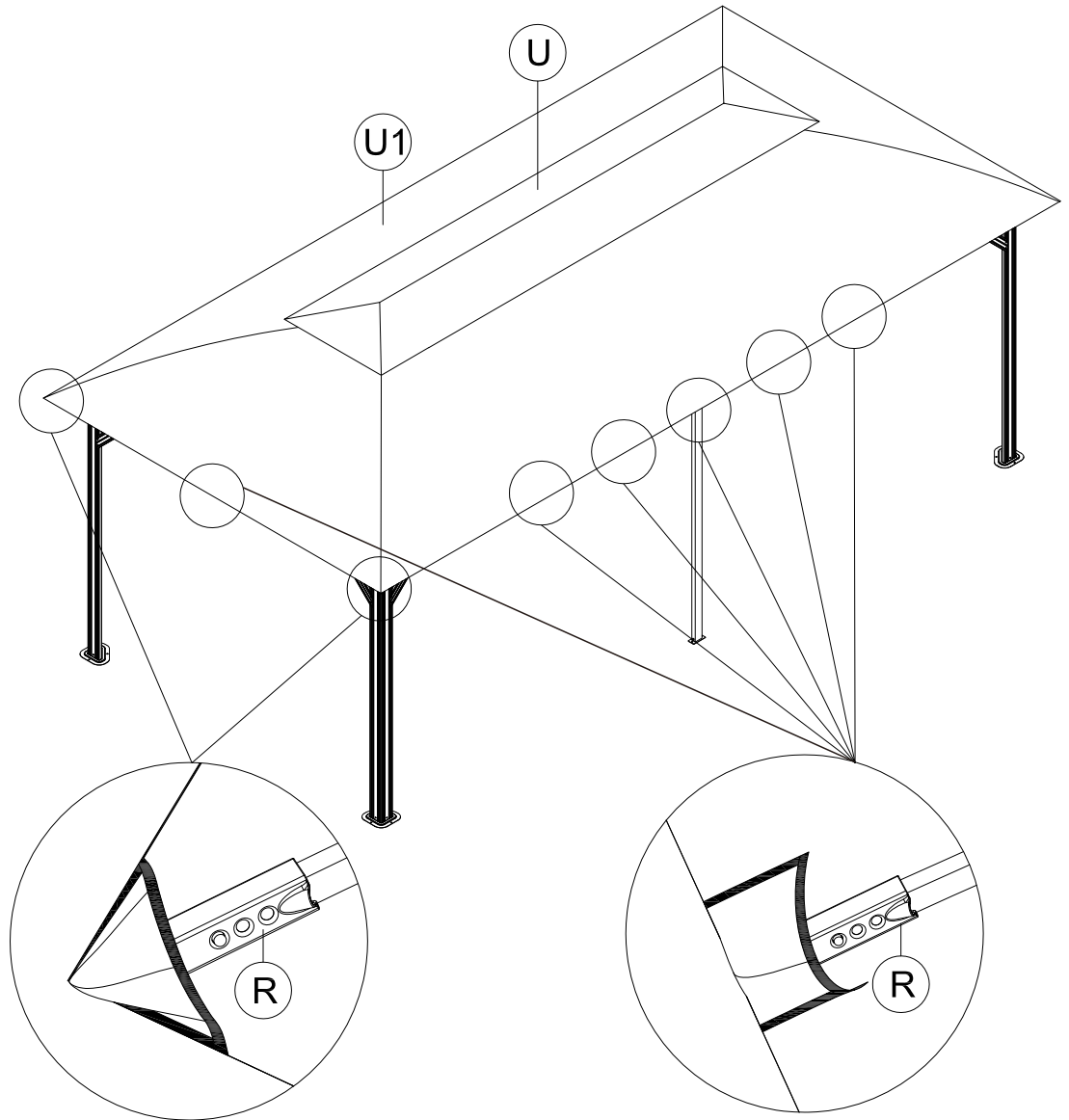




U 1x

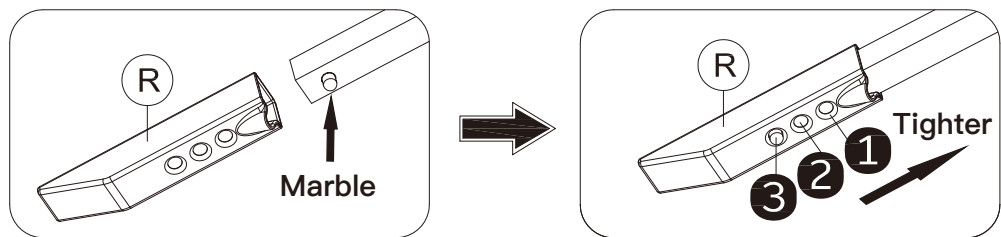
# Vent Cover #U Assembly





(3) Insert 12 canopy adjustment kits #R into the corresponding pockets.

(4) Part #R has 3 levels to adjust the status of canopy, from loose to tight.

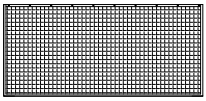


**NOTE:** If you find the canopy get looser in the later use, we recommend you to adjust #R to make canopy tighter.

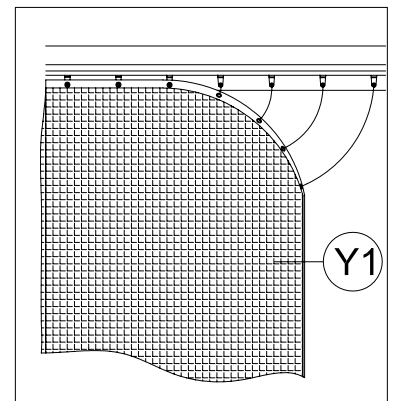
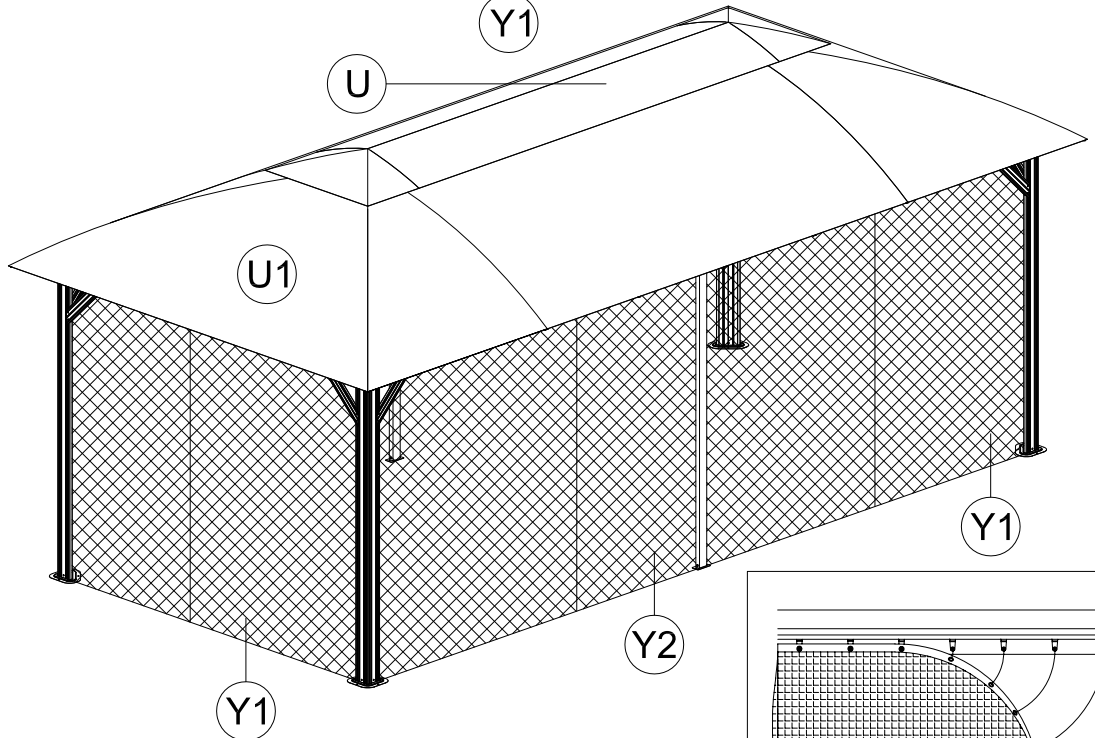
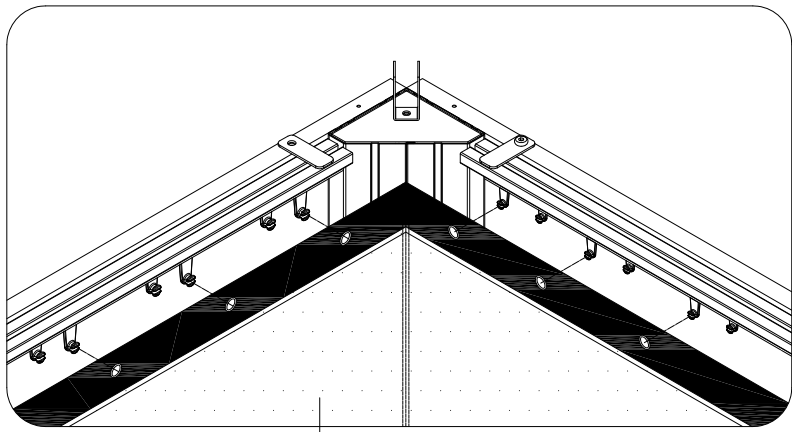
# Mosquito Netting Assembly



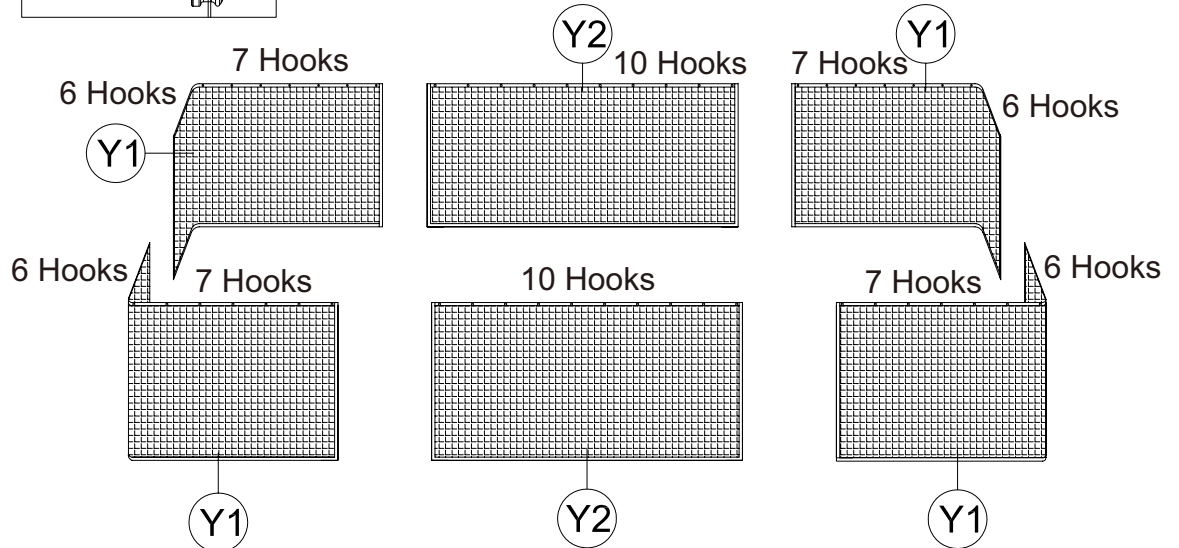
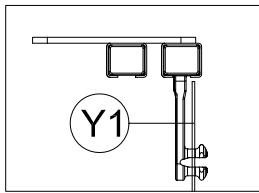
Y1 4x



Y2 2x



## Inside Track

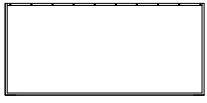




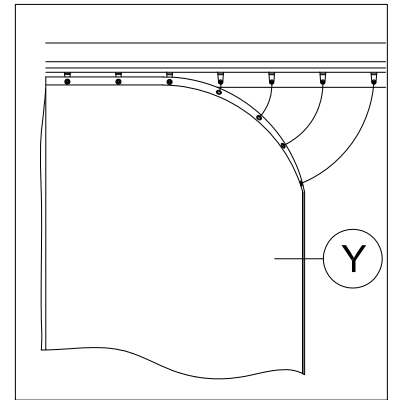
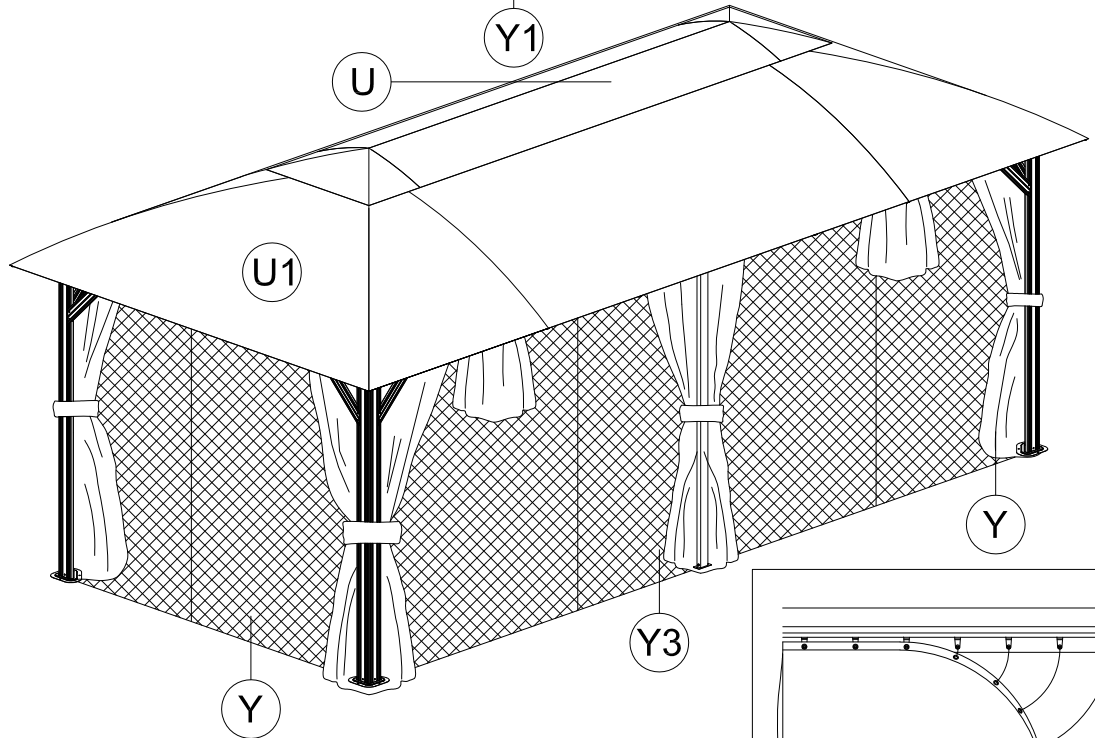
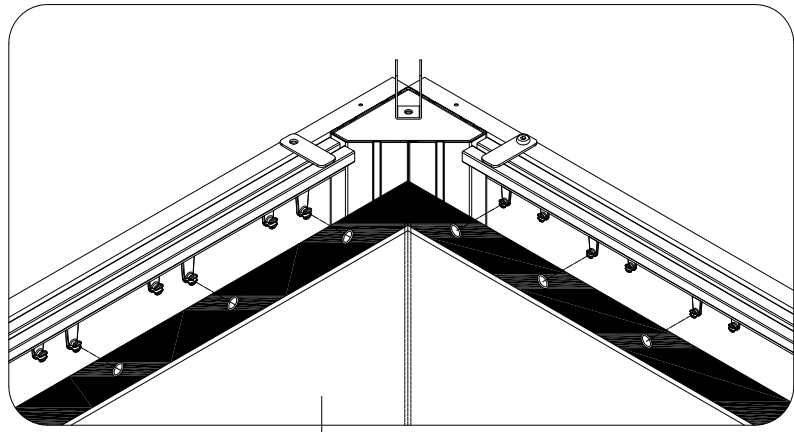
# Curtains Assembly:



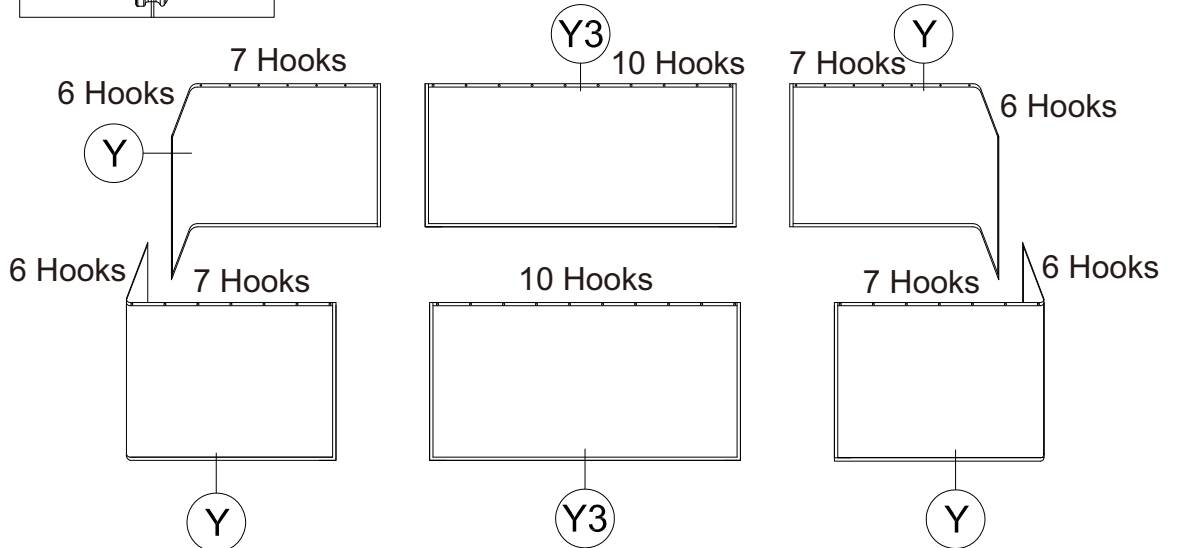
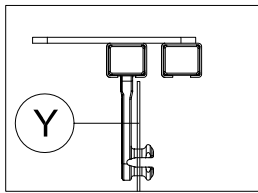
Y 4x



Y3 2x



## Outside Track





Z 12x

**Note:** Stakes are NOT RECOMMENDED for PERMANENT USE. Be aware of strong wind when anchor the gazebo on the soft ground.

We do not provide warranty services if the gazebo is destroyed by strong wind when you anchor the gazebo using the stakes.

