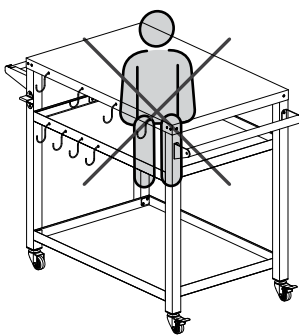
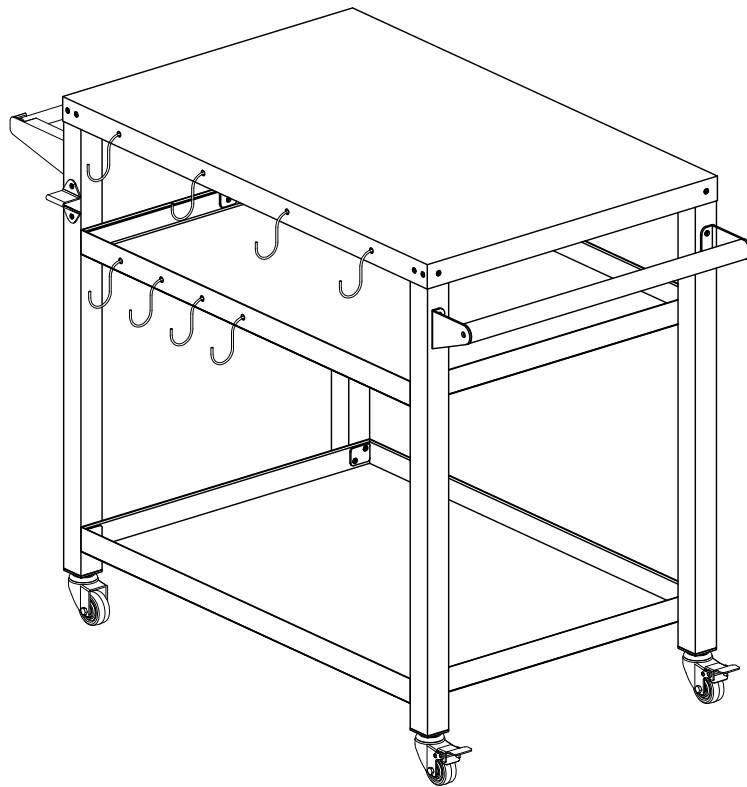
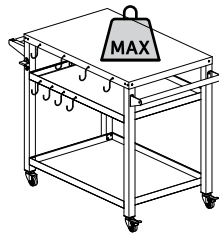


ASSEMBLY MANUAL

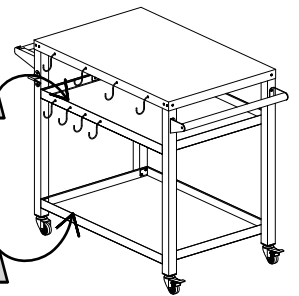
MODEL#: LNCF0568A



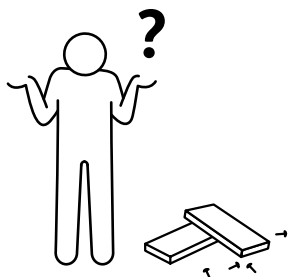
66Lb



66Lb



66Lb



www.domioutdoorliving.com

Missing part? Damaged?

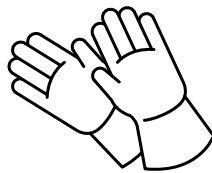
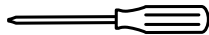
Contact us via email at

service@domioutdoorliving.com

© Copyright 2023–2025 domi outdoor living LLC. All Rights Reserved.

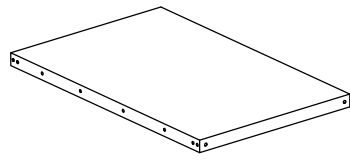
BEFORE STARTING ASSEMBLY

- ① Some parts have metal edges. Please be careful when handling components. Always wear work gloves.
- ② Please check all parts and components to ensure that there are no damages or missing items BEFORE starting the construction of the product.
- ③ Please do not fully tighten the bolts prior to complete assembly.
- ④ Retain for future reference. Read carefully. For domestic use.



Please check all parts and components to ensure that there are no damages or missing items BEFORE starting the assembly of the product.

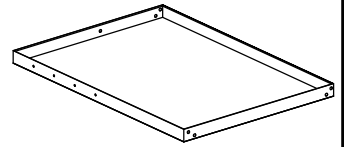
If you find any missing parts, Please contact Domi customer service at any time, and we will reply within 24 hours.



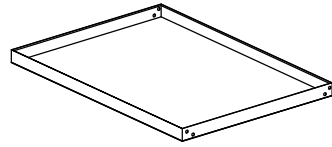
① 1 X



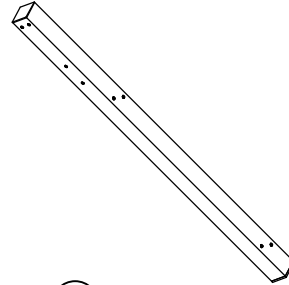
② 1 X



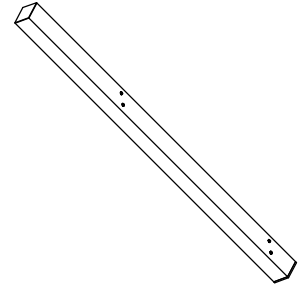
③ 1 X



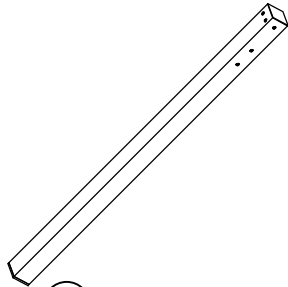
④ 1 X



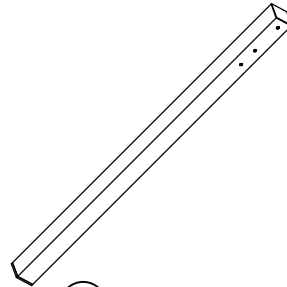
⑤ 1 X



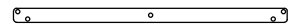
⑥ 1 X



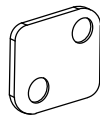
⑦ 1 X



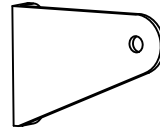
⑧ 1 X



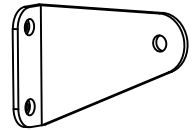
⑨ 1 X



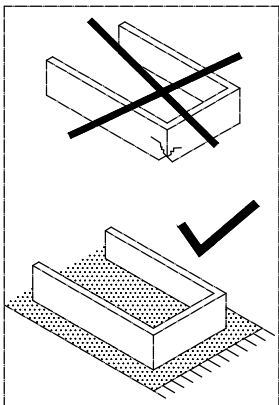
⑩ 6 X



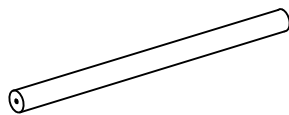
⑪ 1 X



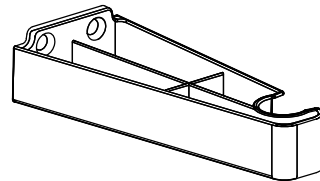
⑫ 1 X



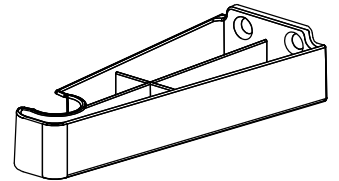
1



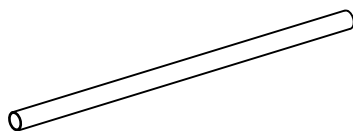
⑬ 1 X



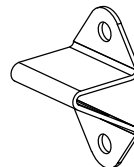
⑭ 1 X



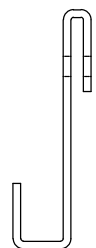
⑮ 1 X



⑯ 1 X



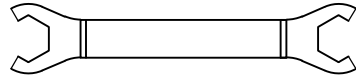
⑰ 1 X



⑱ 1 X

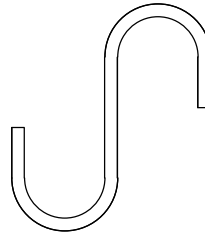
Please check all parts and components to ensure that there are no damages or missing items BEFORE starting the assembly of the product.

If you find any missing parts, Please contact Domi customer service at any time, and we will reply within 24 hours.

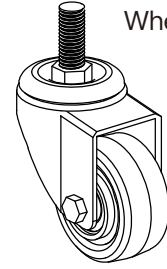


M10

①9 1 X

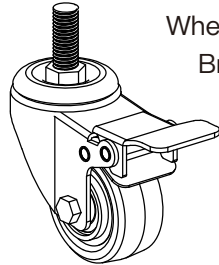


②0 8 X



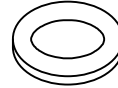
Wheels without Brakes

②1 2 X



Wheels with Brakes

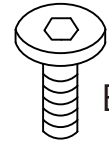
②2 2 X



Black

D6

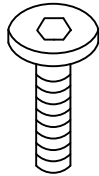
②3 30 X



Black

M6X12

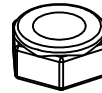
②4 24 X



Black

M6X18

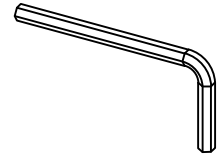
②5 5 X



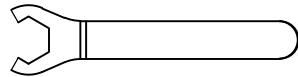
Black

M6

②6 1 X

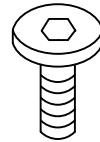


②7 1 X



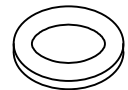
M6

②8 1 X



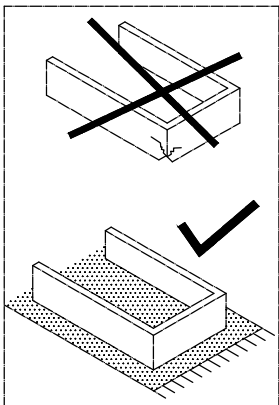
M6X12

②9 12 X

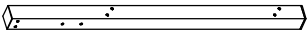
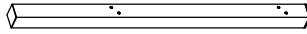

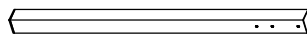
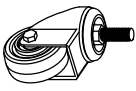
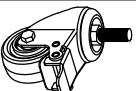
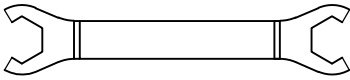


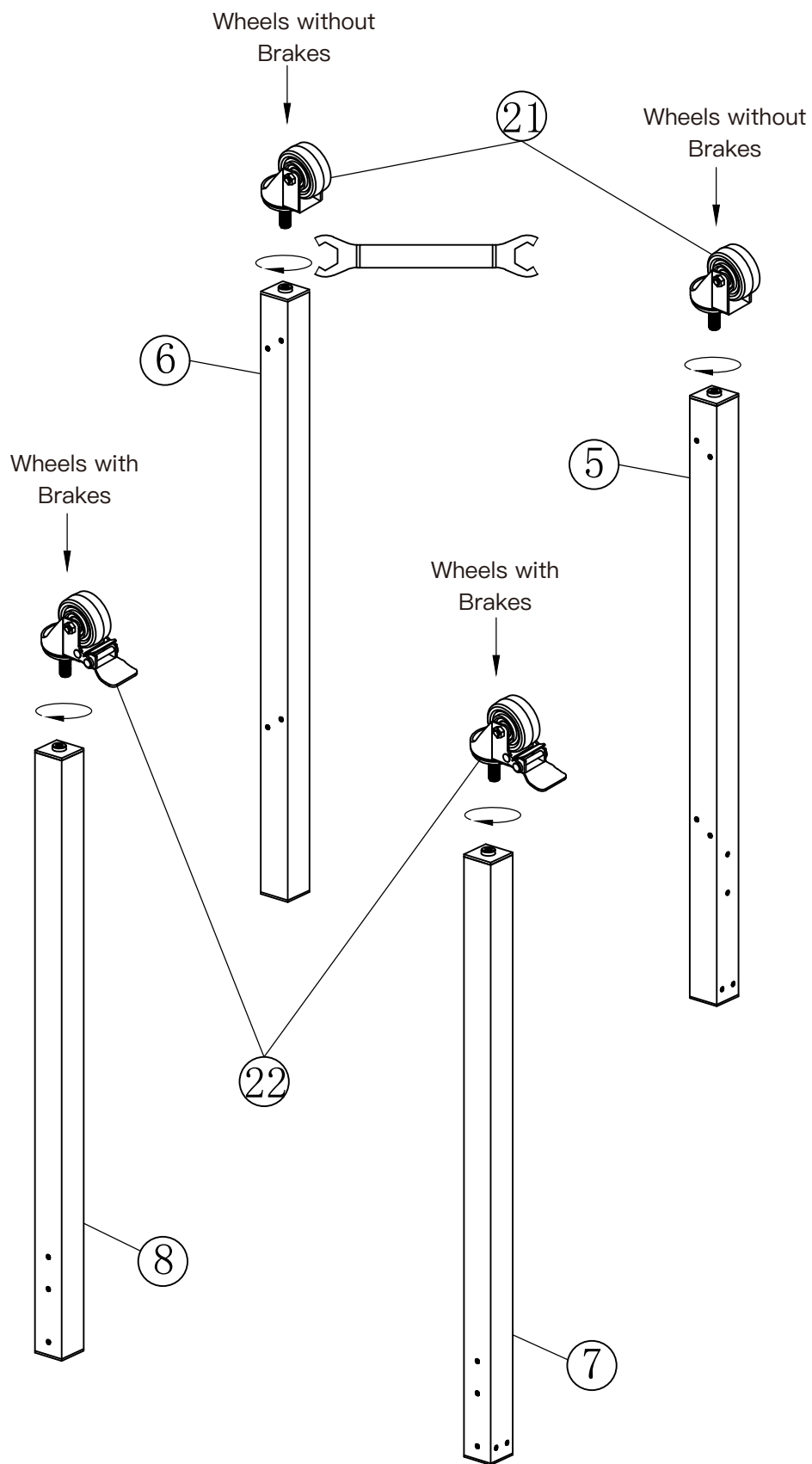
D6

③0 12 X



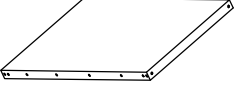

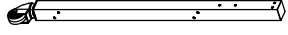

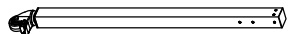
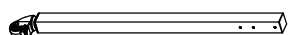
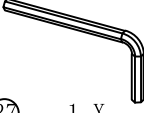


2

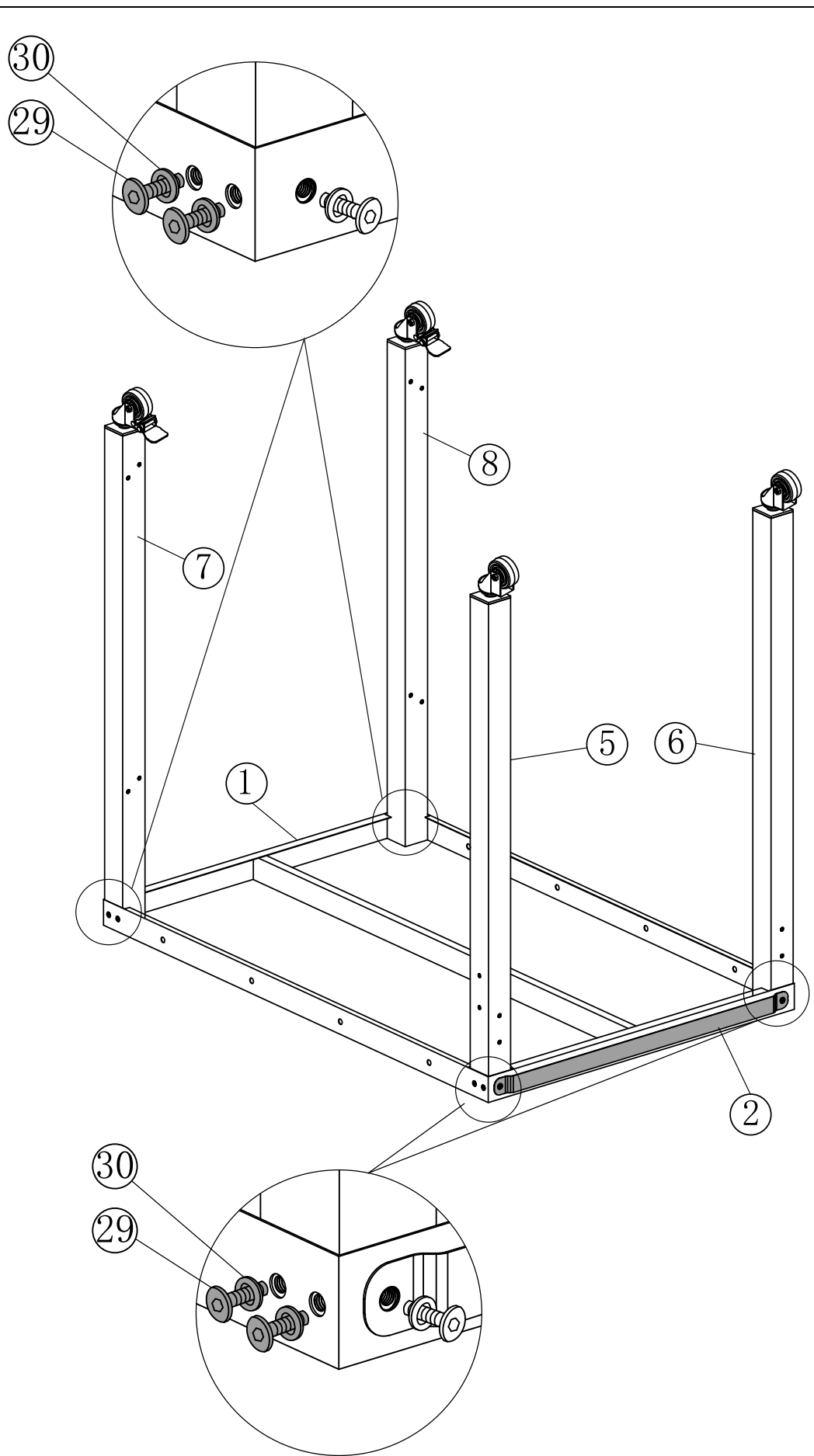
	⑤ 1 X
	⑥ 1 X
	⑦ 2 X
	⑧ 1 X
 Wheels without Brakes	②① 2 X
 Wheels with Brakes	②② 2 X
	①⑨ 1 X



3

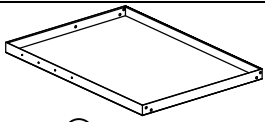
Please distinguish between the two wheels and install them on the corresponding legs.

-  ① 1 X
-  ② 1 X
-  ⑤ 1 X
-  ⑥ 1 X
-  ⑦ 1 X
-  ⑧ 1 X
-  ②⑦ 1 X
-  ②⑨ M6X12
12 X
-  ③⑩ D6
12 X

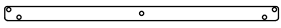


4

Use screws #29 to attach part #2 to part #1 as shown.
 Pay attention to the installation place of Part #2.
 (On the same side as the wheel without brakes)



③ 1 X



⑨ 1 X



⑩ 2 X



Black

D6

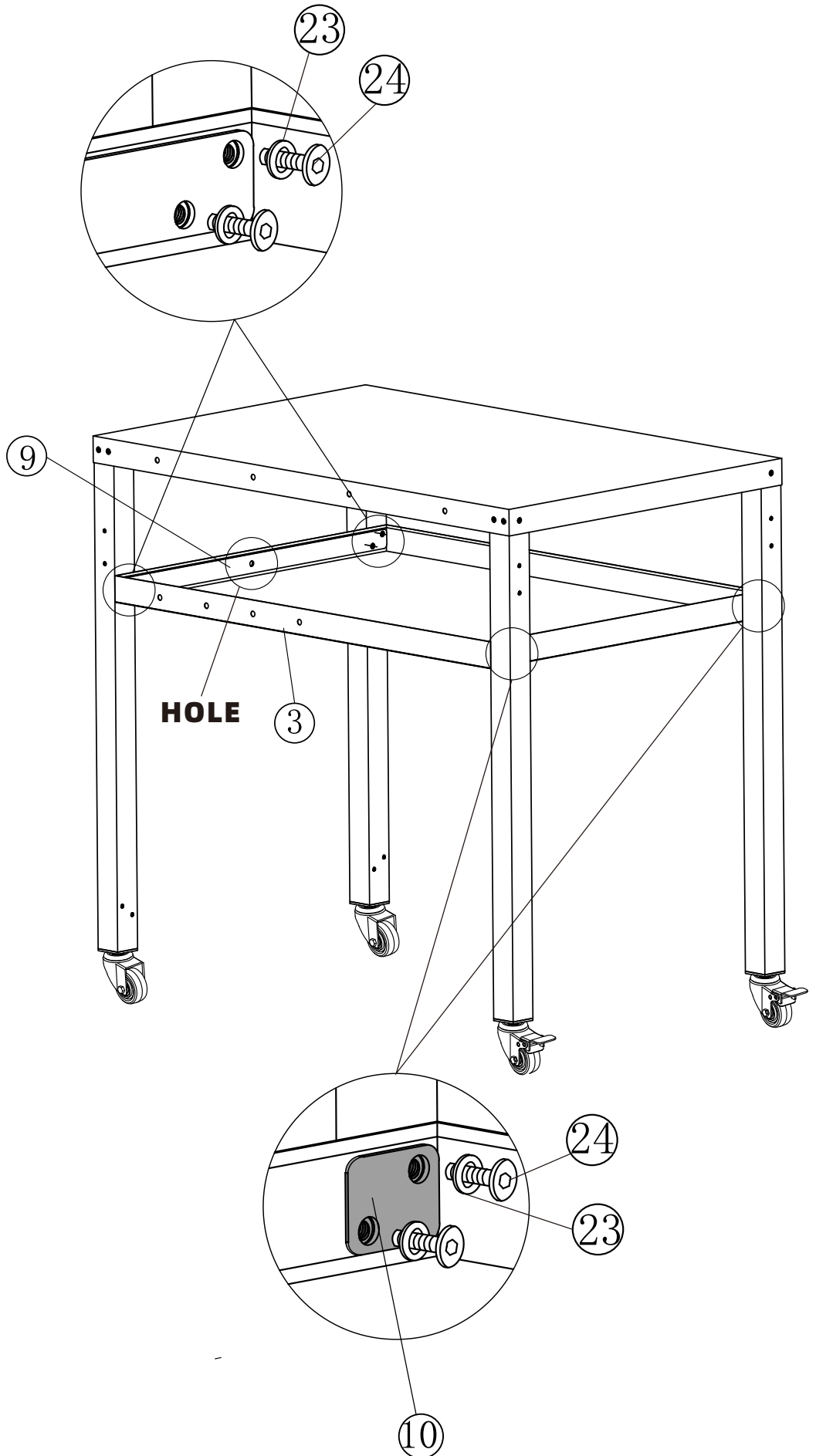
⑳ 8 X



Black

M6X12

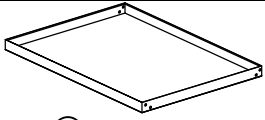
㉑ 8 X



HOLE

5

Pay attention to the installation direction of the baffle.



④ 1 X



⑩ 4 X



Black

D6

⑳ 8 X

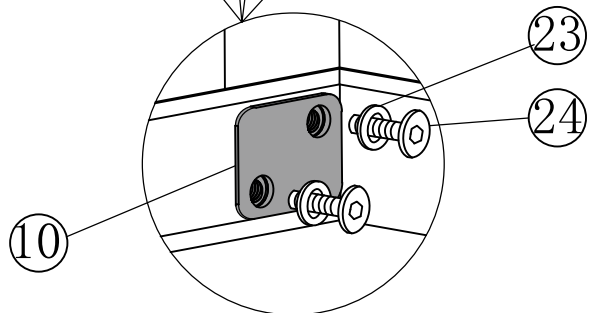
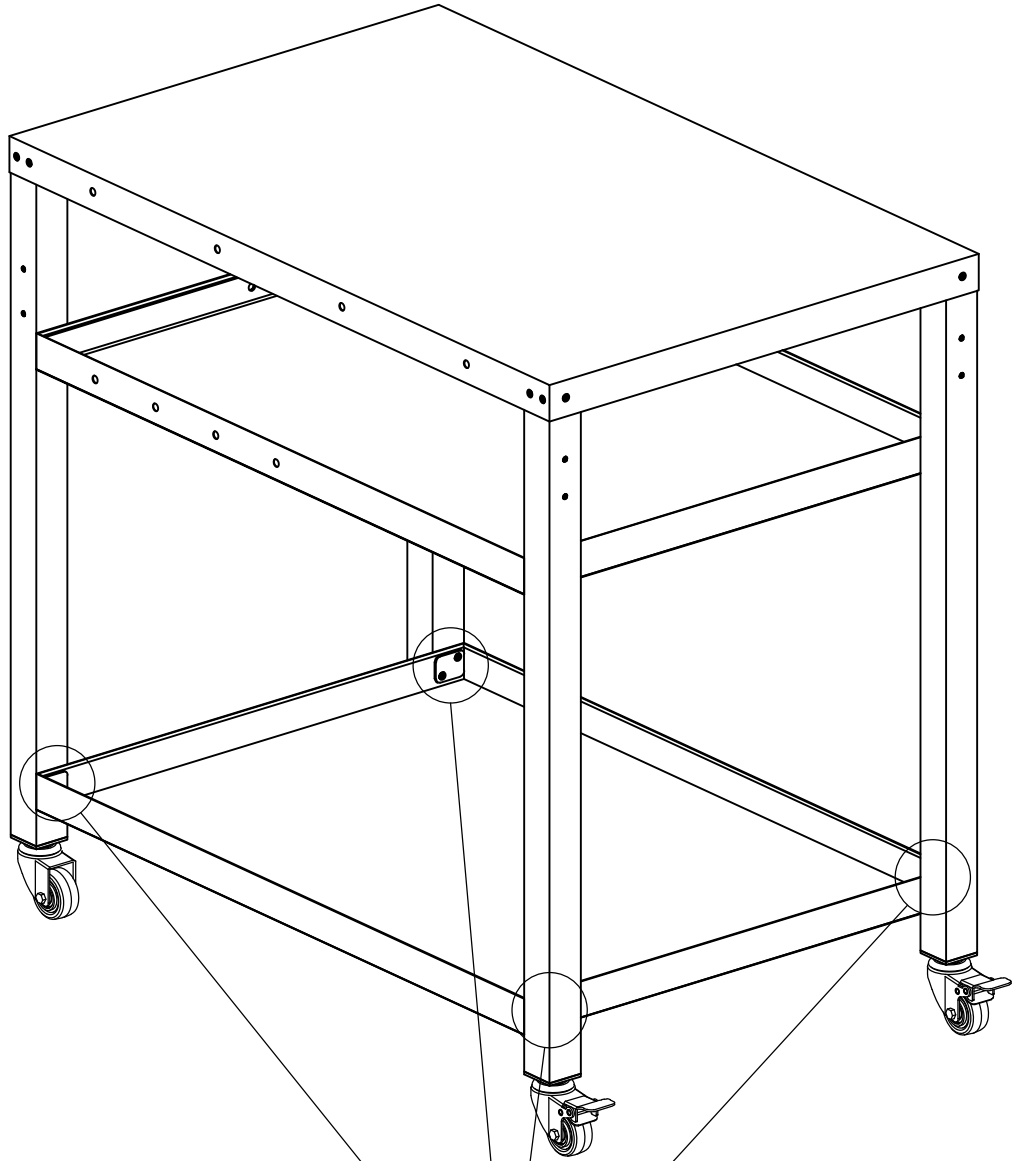


Black

M6X12

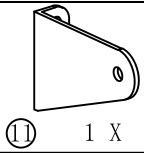
㉔ 8 X

Assemble screws with gaskets #23 and nuts #24.
Then screw the parts #4 and #10 to the legs.

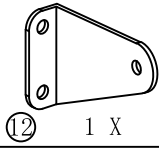


6

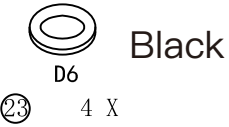
Repeat this procedure for the other 3 legs.



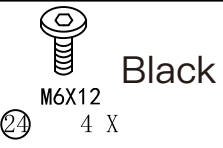
11 1 X



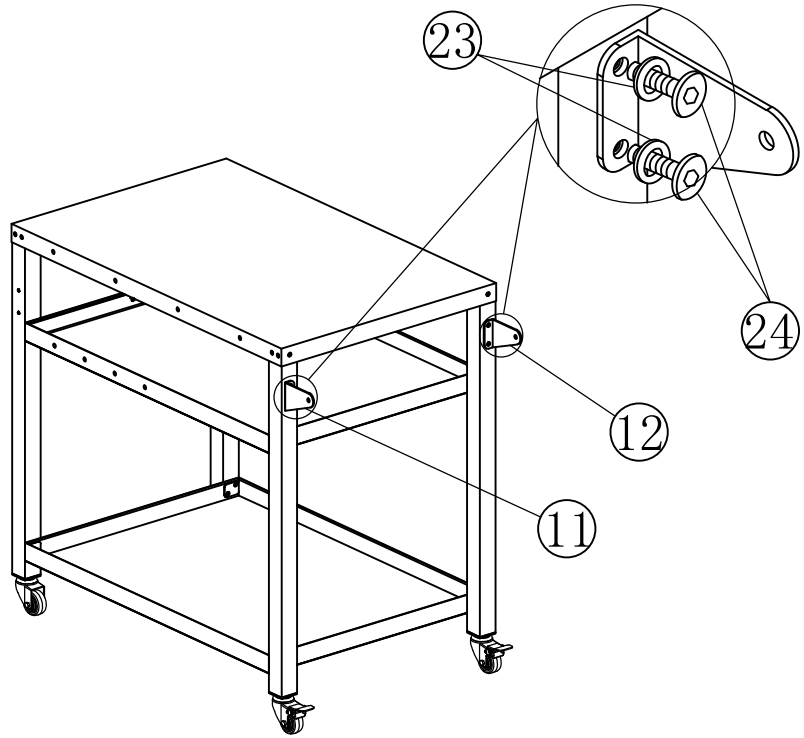
12 1 X



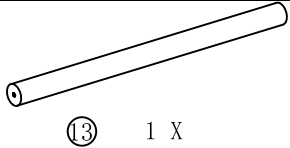
23 4 X



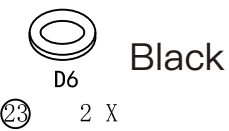
24 4 X



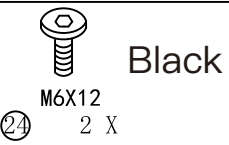
Pay attention to the installation direction of Part #11 and Part #12. (On the same side as the wheel with brakes)



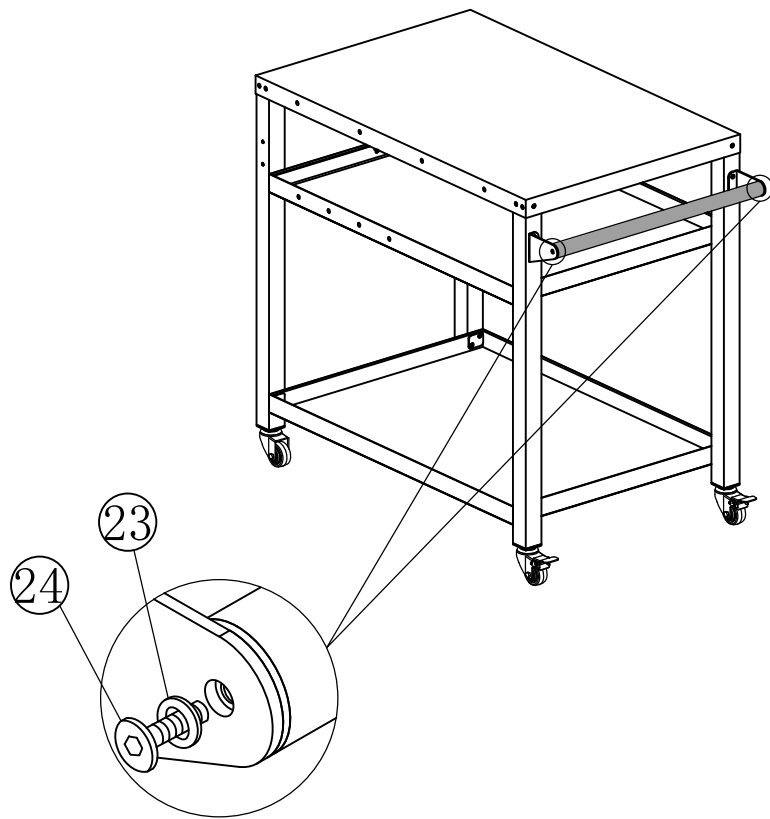
13 1 X

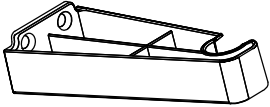
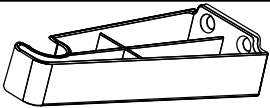
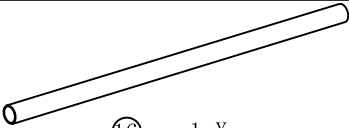
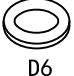
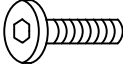


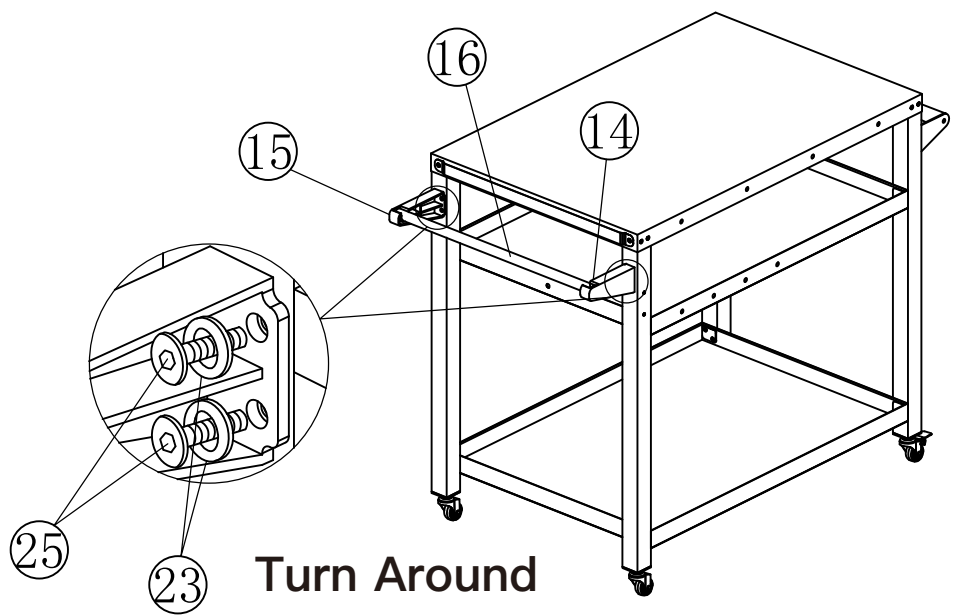
23 2 X




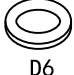


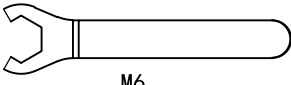
24 2 X



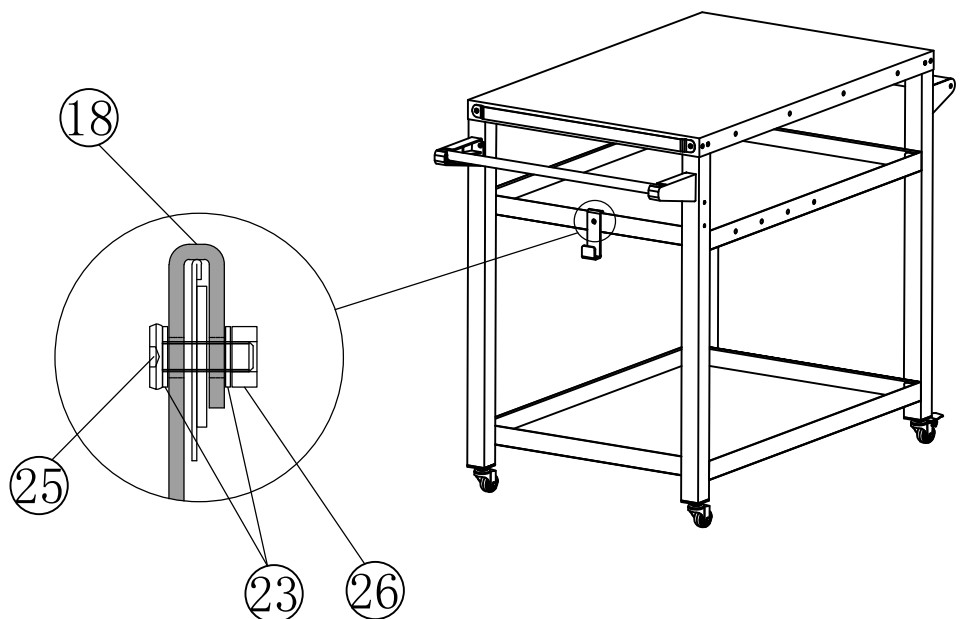
-  14 1 X
-  15 1 X
-  16 1 X
-  Black
D6
23 4 X
-  Black
M6X18
25 4 X



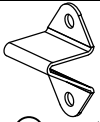
Pay attention to the installation direction of Part #14 and Part #15. (On the same side as the wheel without brakes)

-  18 1 X
-  Black
D6
23 2 X
-  Black
M6X18
25 1 X
-  Black
M6
26 1 X
-  M6
28 1 X

Propane Tank Hook Assembly:



Pay attention to the installation direction of Part #18. (On the same side as the wheel without brakes)



17 1 X



Black

D6

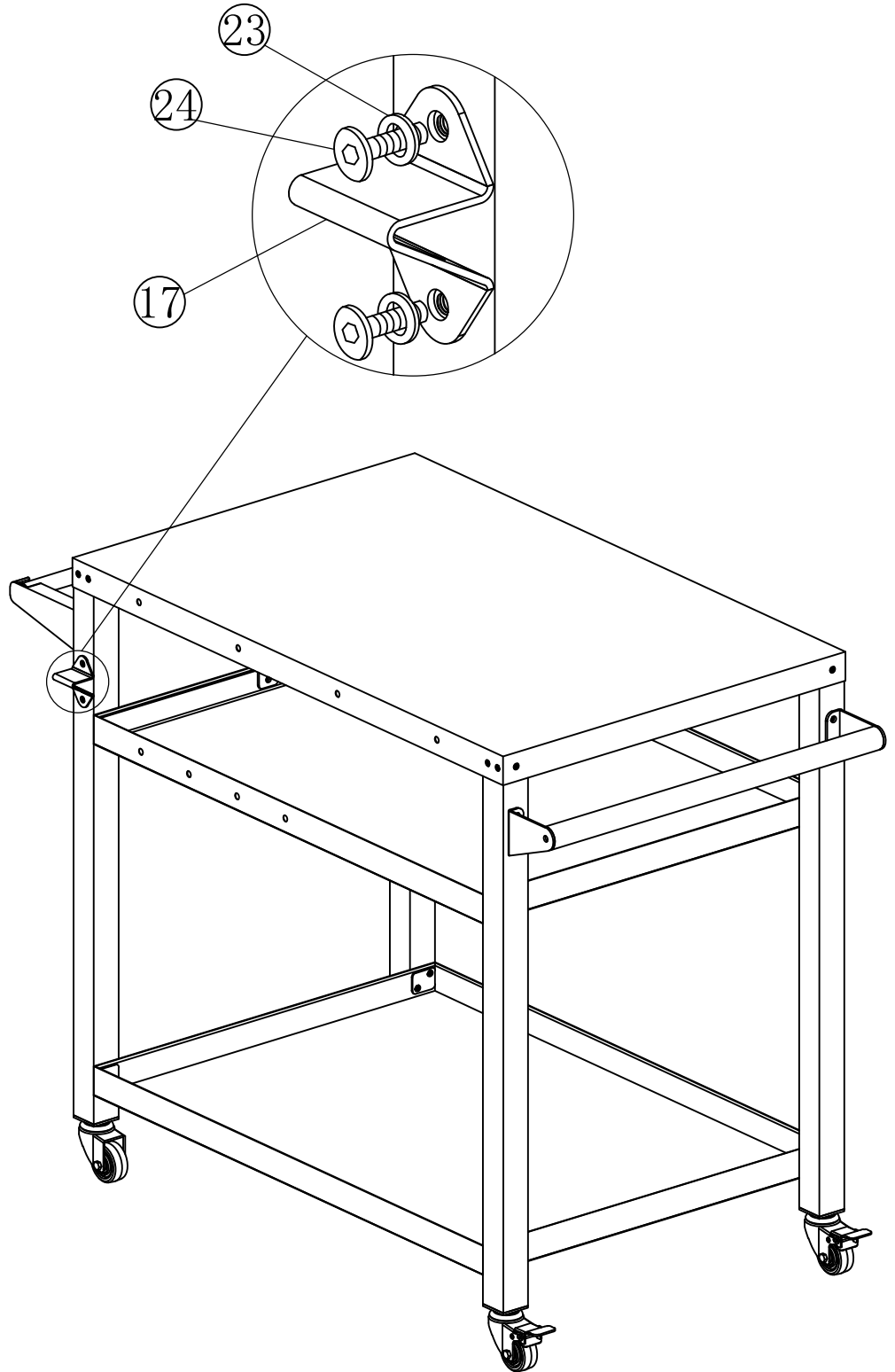
23 2 X



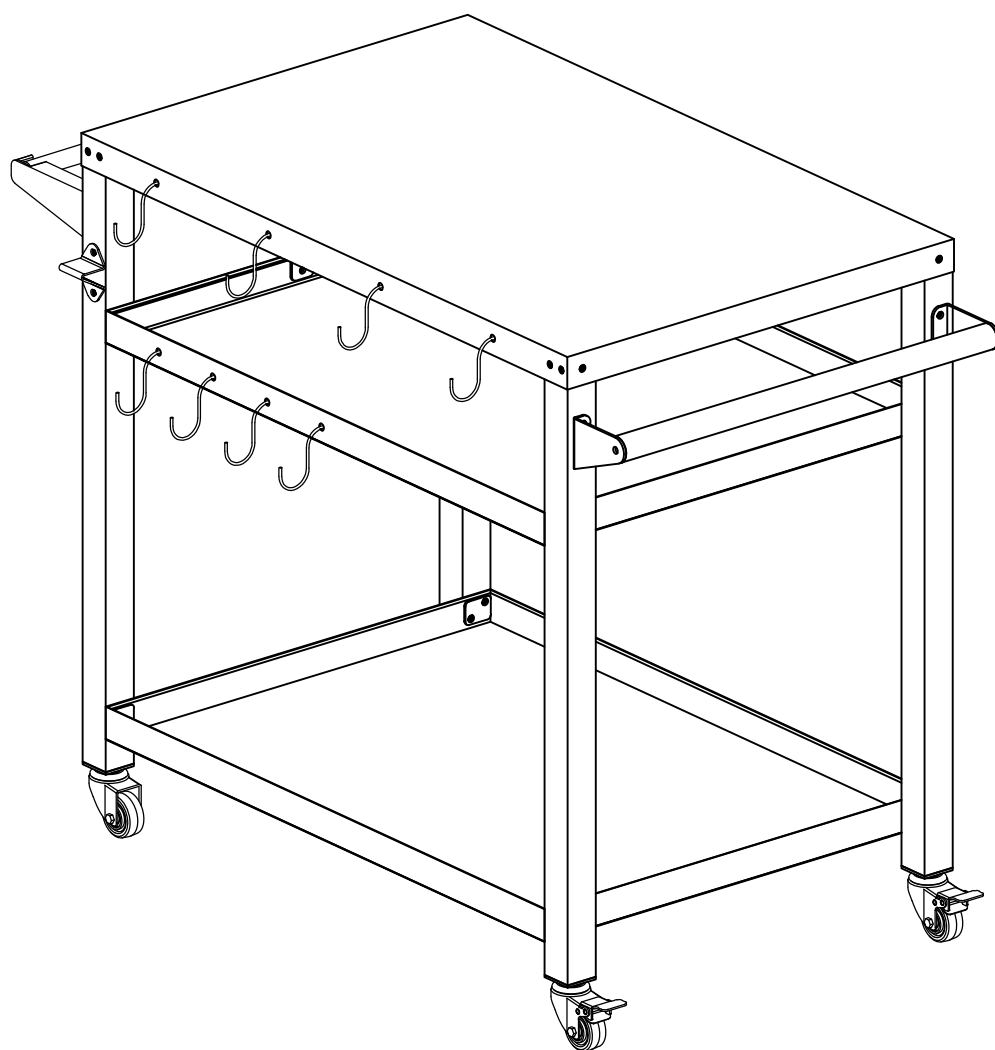
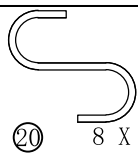
M6X12

24 2 X

Bottle Opener Assembly:



Pay attention to the installation direction of Part #17.



10



CARE & SAFETY

CARE:

•Painted surfaces:

Wash with mild detergent or non-abrasive cleaner and warm water.

•Stainless steel surfaces:

Wash with mild detergent and warm soapy water or use a stainless steel cleaner. Wipe dry with a soft cloth after each use. Wash only in the direction of the stainless brushed finish to avoid damage.

Stainless steel can rust under certain conditions. This can be caused by acidic marinades, chlorine, saltwater, exposure to coastal climates, other natural elements, or improper cleaning tools such as wire or steel wool.

SAFETY:

- Not for permanent installation.
- It is of utmost importance to assemble all of the parts according to the directions. Do not skip any step.
- Wear safety goggles and always follow the manufacturer's instructions when using power tools.
- For outdoor use only.
- Use caution with all electric appliances, tools, extension cords and lights on and around table.
- Surface can become hot in direct sun or high temperatures.
- Maximum top weight load of 66 LBS
- Use only on level surfaces.
- Do not allow children to climb the product.
- Do not stand on lid.

WARRANTY AND REPLACEMENT PARTS

This warranty covers defects in parts and workmanship for a period of 1 year from the original purchase date.

IF THERE ARE MISSING OR BROKEN PARTS, PLEASE DO NOT RETURN THE PRODUCT DIRECTLY. Please log onto our website, or contact Customer Service.

The following conditions are NOT covered by this warranty:

- Unevenness and color variations in the coated surfaces.
- Damage caused by improper assembly or disregard of the manual.
- Use of spare parts not supplied by manufacturer.
- Damage resulting from modifications or inappropriate use.
- Damage caused by improper maintenance or repairs by an unauthorized person.

Limitations and exclusions:

1. This warranty applies only to the original purchaser and may not be transferred.
2. If you can not verify the purchase date of the prep cart the warranty period will begin on the date the prep cart was manufactured.
3. Replacement or repair parts are warranted for the remaining period of the original part warranty.

Your obligations:

This prep cart must be assembled, installed, operated and maintained in accordance with all applicable codes and the instruction manual furnished with this prep cart. You must keep an invoice, cancelled check or payment record to verify the purchase date of the prep cart.