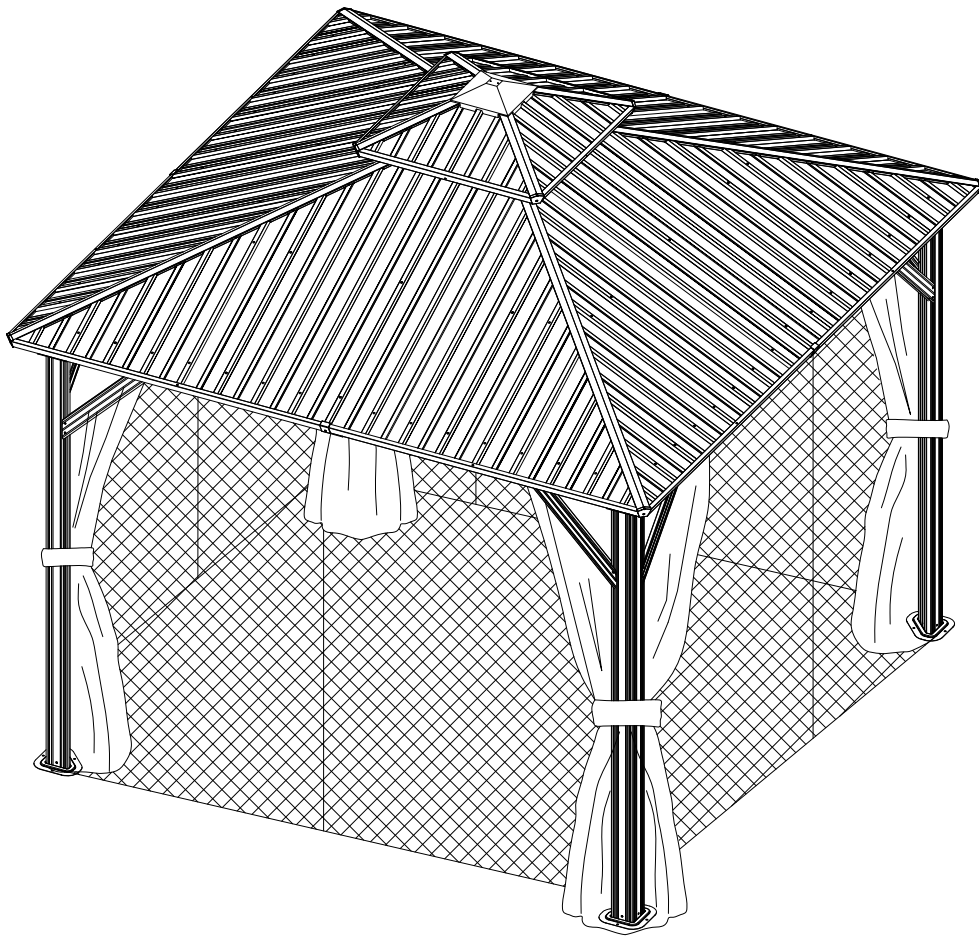


10'x10' Metal Patio Gazebo

ASSEMBLY MANUAL



MODEL#:LGMF1618A

Missing part? Damaged? Contact us via email at

service@domioutdoorliving.com

www.domioutdoorliving.com

Pre-assembly



1. Two or more people are required for assembly.



2. You will need one or more stepladders.



3. Wearing protective gloves is recommended.



4. You may need a safety hat.



5. Please use a Phillips screw driver.



6. For ease of construction, you may need a drill.



7. You may need a safety goggle.



8. Do not fully tighten screws prior to complete assembly.

Warning & Attention

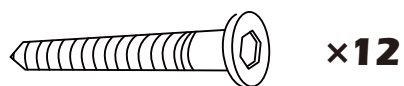
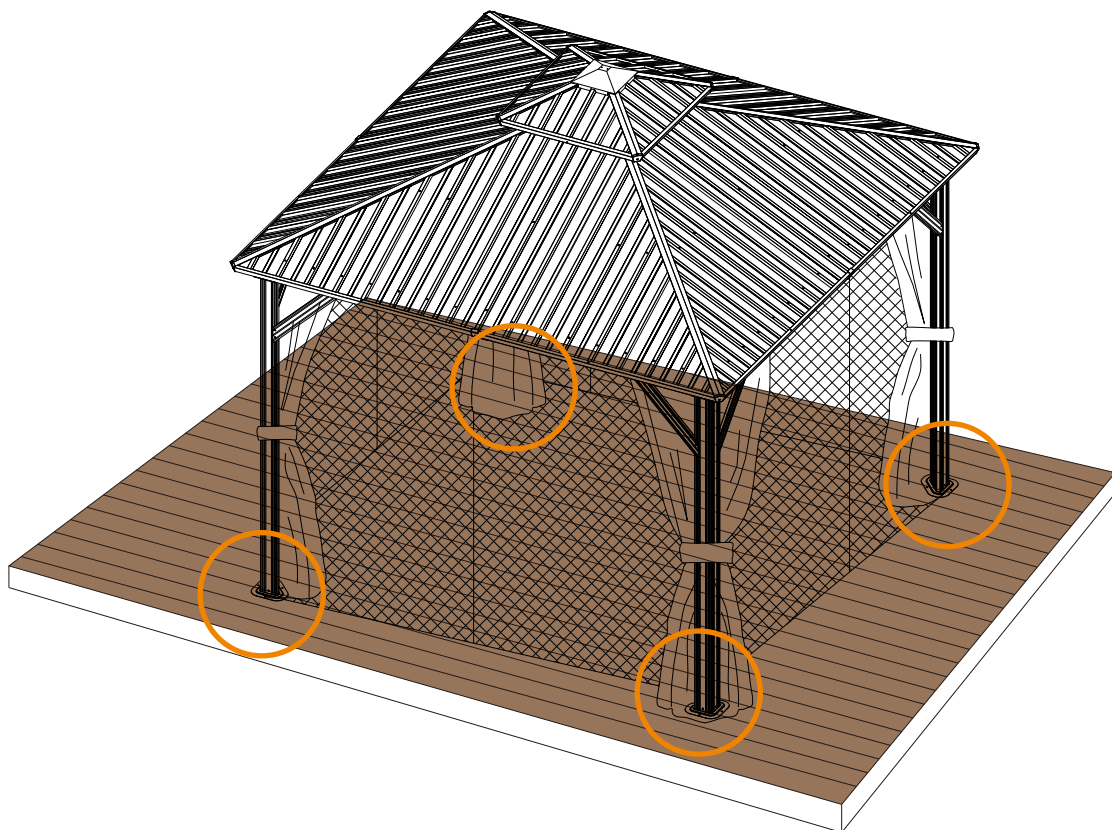
-Try to assemble this product on the flat ground, otherwise it is difficult to carry out;

-It would be much easier to assemble the product with three or more people;

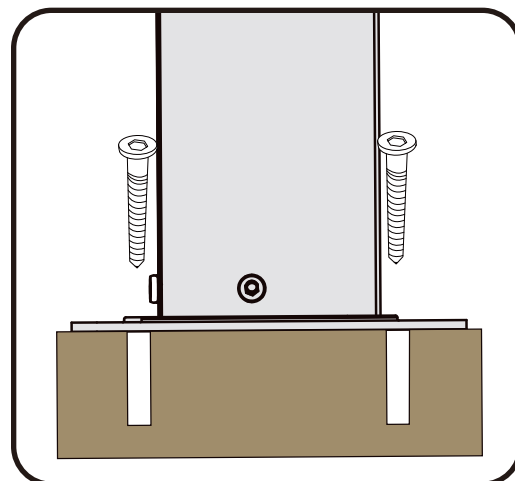
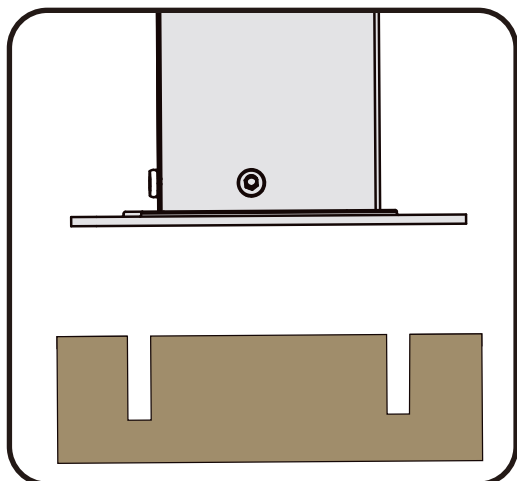
-After assembly, please check whether all screws are tightened, to prevent parts from falling apart.

▲ Use bolts to secure the frame to the ground to against the strong wind.

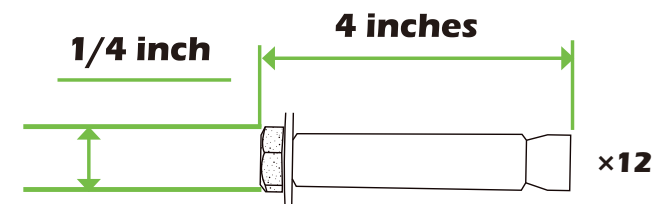
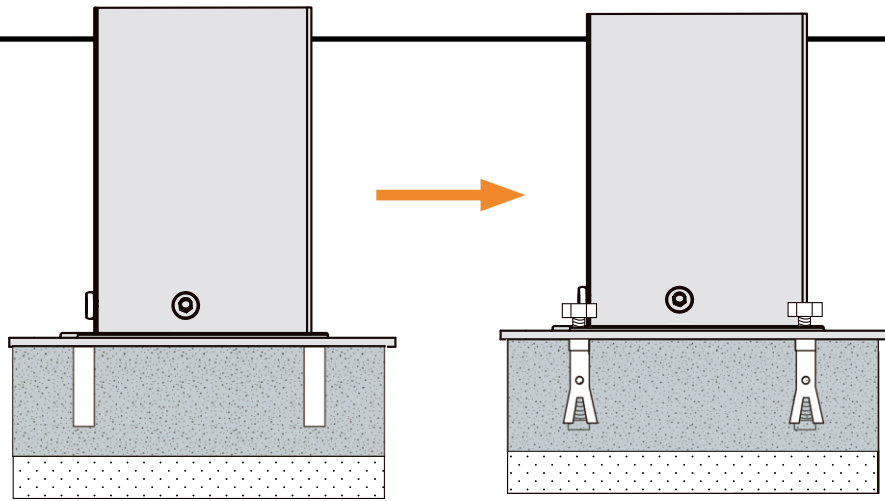
1



If the deck is hard wood and the depth of it is over 3 inch, you can use **5/16 in. x4 in. Structural Wood Screw** to mount the gazebo.

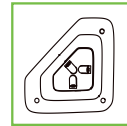
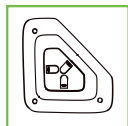
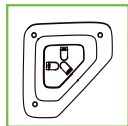


2



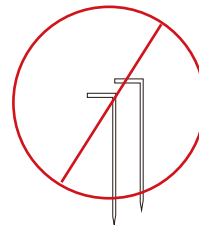
If the ground is concreted and the depth of it is over 3 inch, you can use 1/4 inch expansion bolts to mount the gazebo

3



Or you can make a concrete footing for gazebo, **15×15×15 inches** is recommended. use expansion bolts to mount the pergola like ② shows.

IMPORTANT:
Anchor is not recommended





A 4x Pole



C 4x Beam



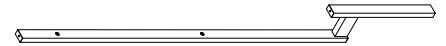
C1 4x Beam



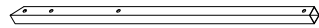
E 4x Corner Roof Bar



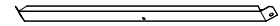
E1 4x Corner Roof Bar Connector



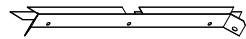
E2 4x Roof Bar



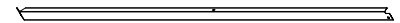
F 8x Solidfying Bar



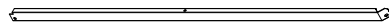
H 4x Finishing Bar



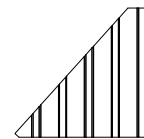
J 4x Finishing Bar



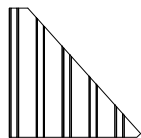
K 4x Finishing Bar



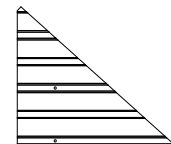
K1 4x Finishing Bar



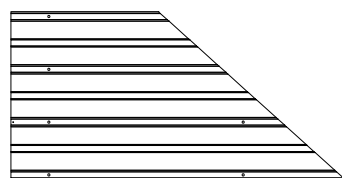
L1 4x Roof Panel



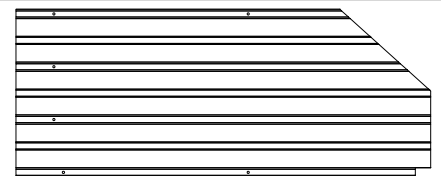
L2 4x Roof Panel



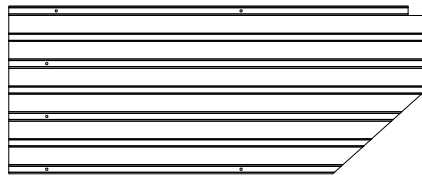
M1 4x Roof Panel



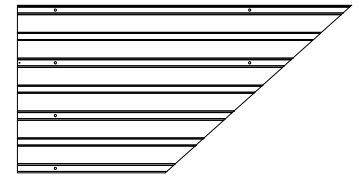
M2 4x Roof Panel



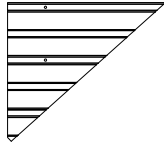
M3 4x Roof Panel



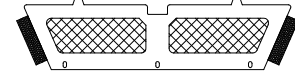
M4 4x Roof Panel



M5 4x Roof Panel



M6 4x Roof Panel



Q 4x Net Frame



T 4x Track



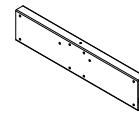
T1 4x Track



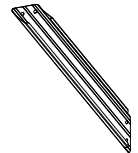
B 4x Base



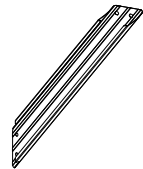
B1 8x Bracket



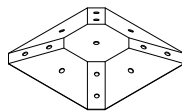
C2 4x Union Bar



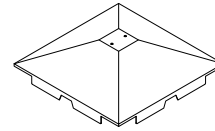
R 4x Corner Solidifying Bar



R1 4x Corner Solidifying Bar



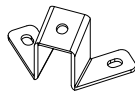
S 1x Inside Roof Cover



S1 1x Outside Roof Cover



S2 1x J-Hook



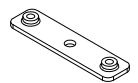
U 4x Bracket



U1 4x Bracket



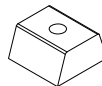
U2 4x Bracket



U3 4x Bracket



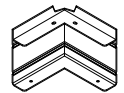
V 96x Hook



W 80x Spacer



X 4x Joint Cover



X1 4x Corner Cover



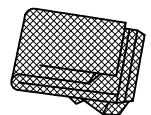
X2 4x Finishing End



X3 12x Finishing End



Y 4x Curtain



Y1 4x Mosquito Netting



Z 56x Plastic Bracket



Z1 4x Plastic Bracket



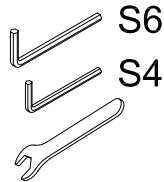
Z2 4x Plastic Bracket



Z3 4x Plastic Bracket



Z4 4x Plastic Bracket



1 1x Wrench



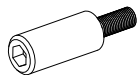
ST6.3x15

2 12x



ST5x16

3 24x



M6x15

4 32x



M6

5 80x



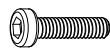
M6x10

7 16x



M6x16

8 212x



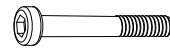
M6x25

9 8x



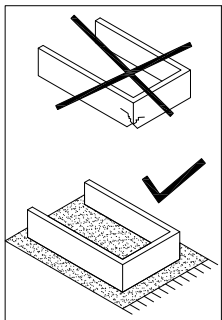
M6x28

10 56x




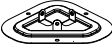
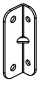
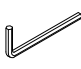

M6x50

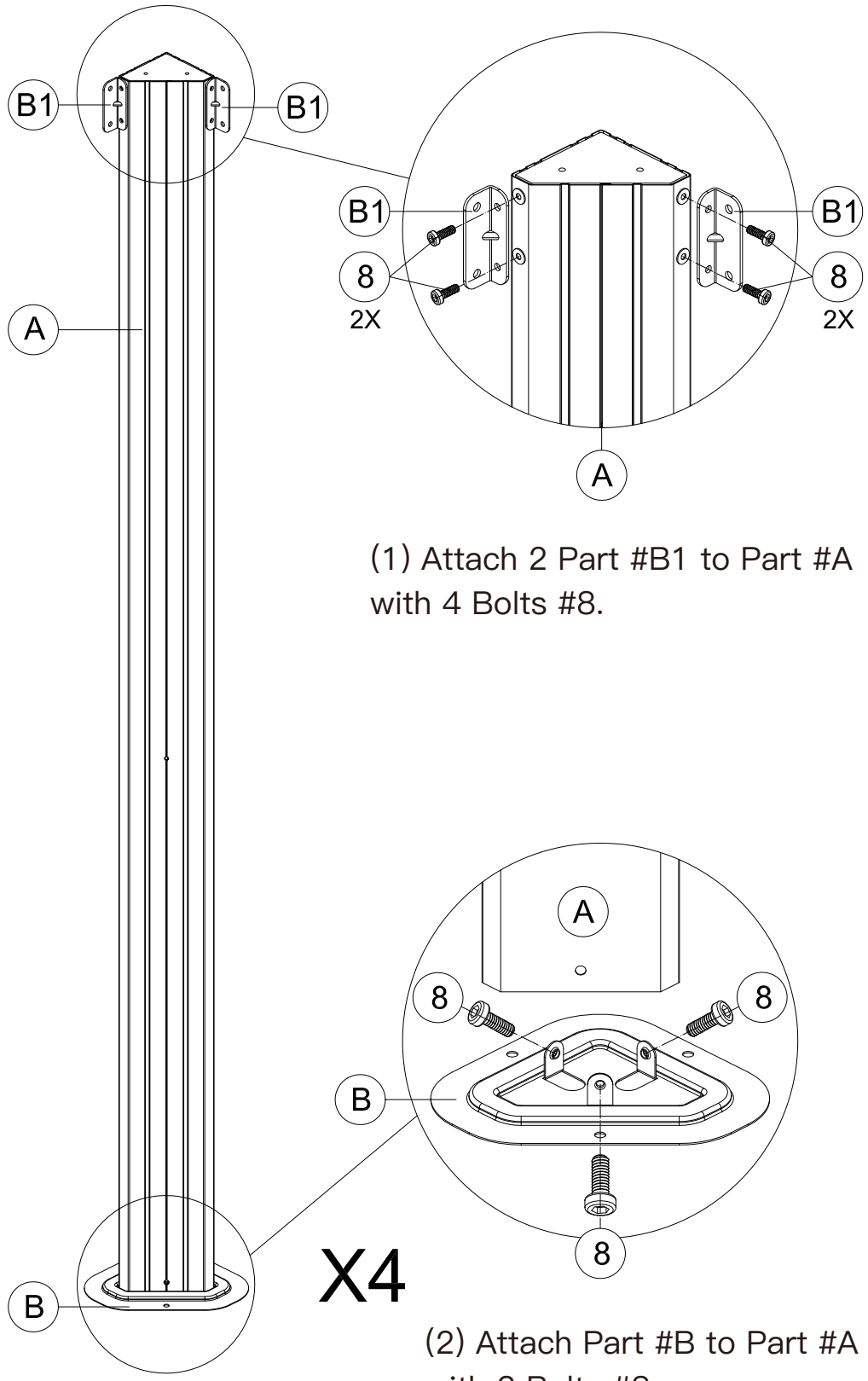
12 16x



4

POST ASSEMBLY:

-  **A** 4x
-  **B** 4x
-  **B1** 8x
-  **S4**
- 1** 1x
-  **8** 28x
- 8** 28x



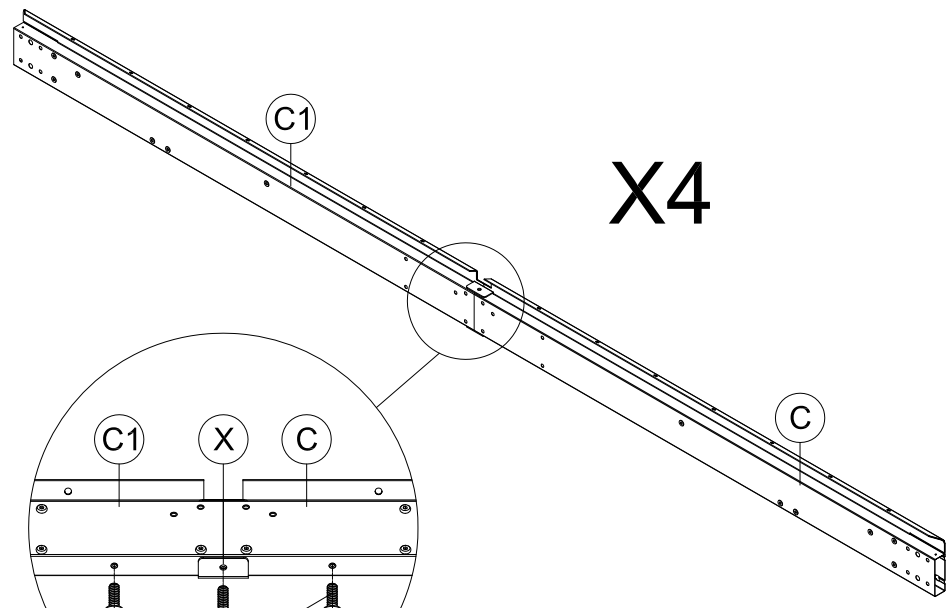
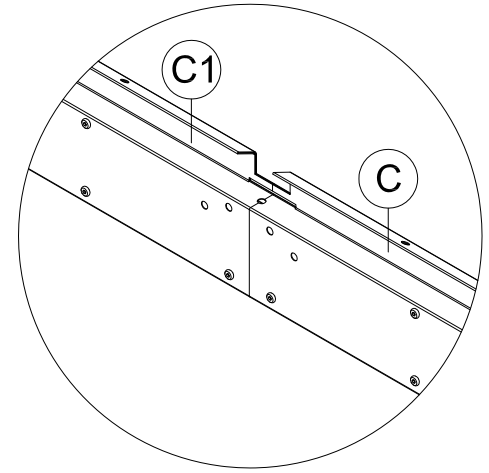
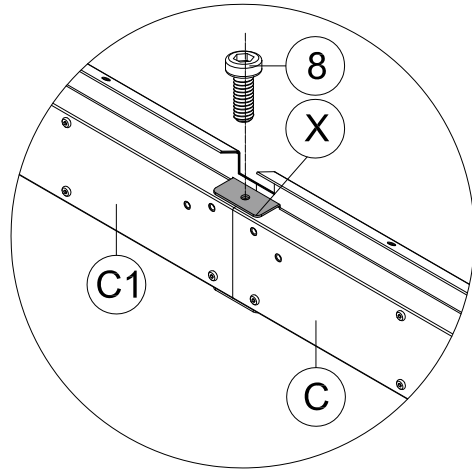
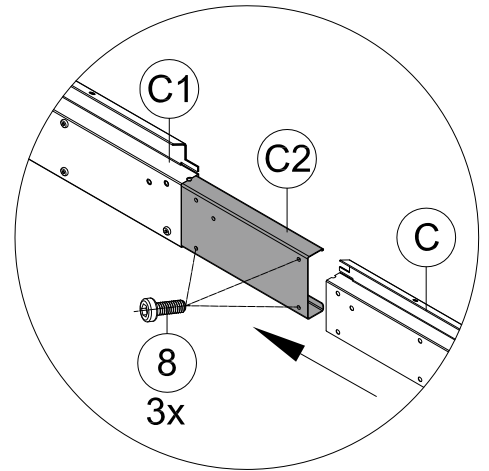
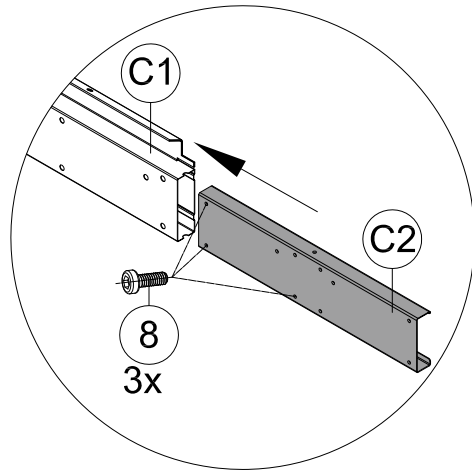
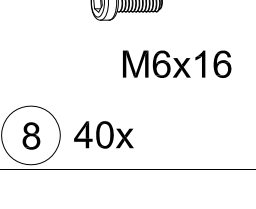
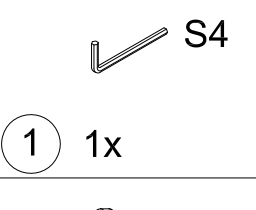
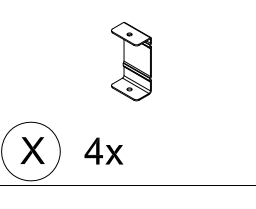
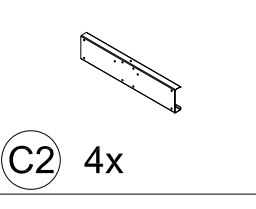
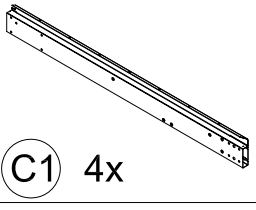
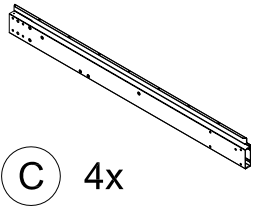
(1) Attach 2 Part #B1 to Part #A with 4 Bolts #8.

X4

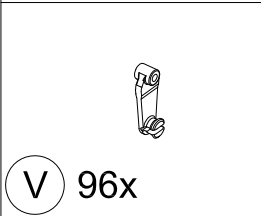
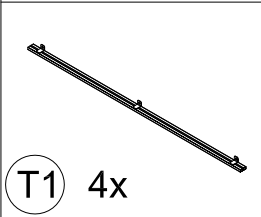
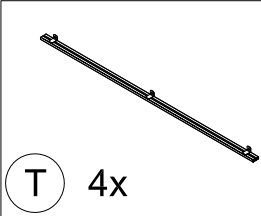
(2) Attach Part #B to Part #A with 3 Bolts #8.

(3) Repeat the above procedures to assemble the other 3 Part #A.

BEAM ASSEMBLY:

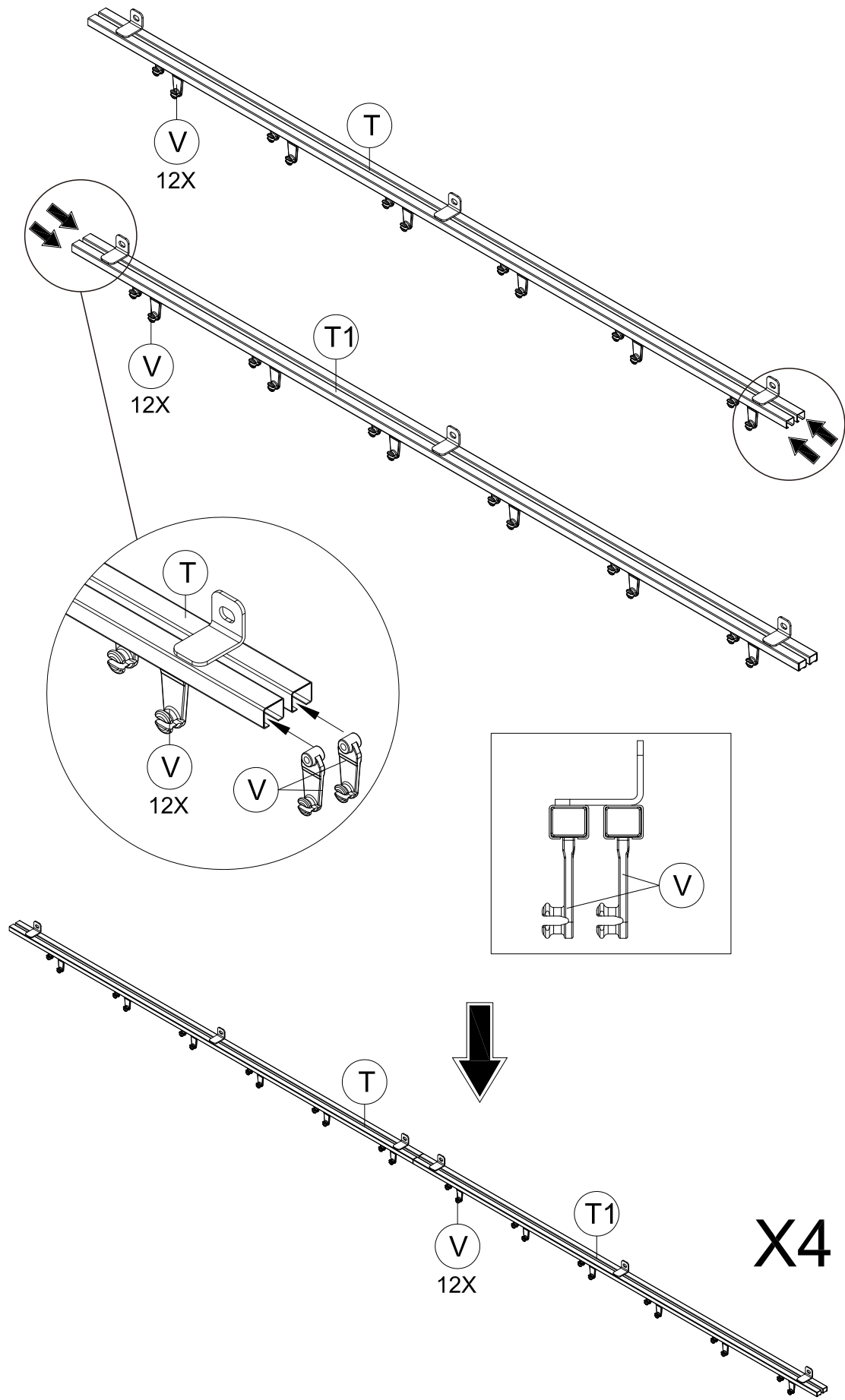


(6) Repeat the above procedures to assemble the other 3 beams.



TRACK ASSEMBLY:

(1) Slide the plastic hooks to the double-rail track #T & T1 (each slot should slide 6 plastic hooks).



(2) Repeat the above procedures for the other 3 track #T & T1.

S4

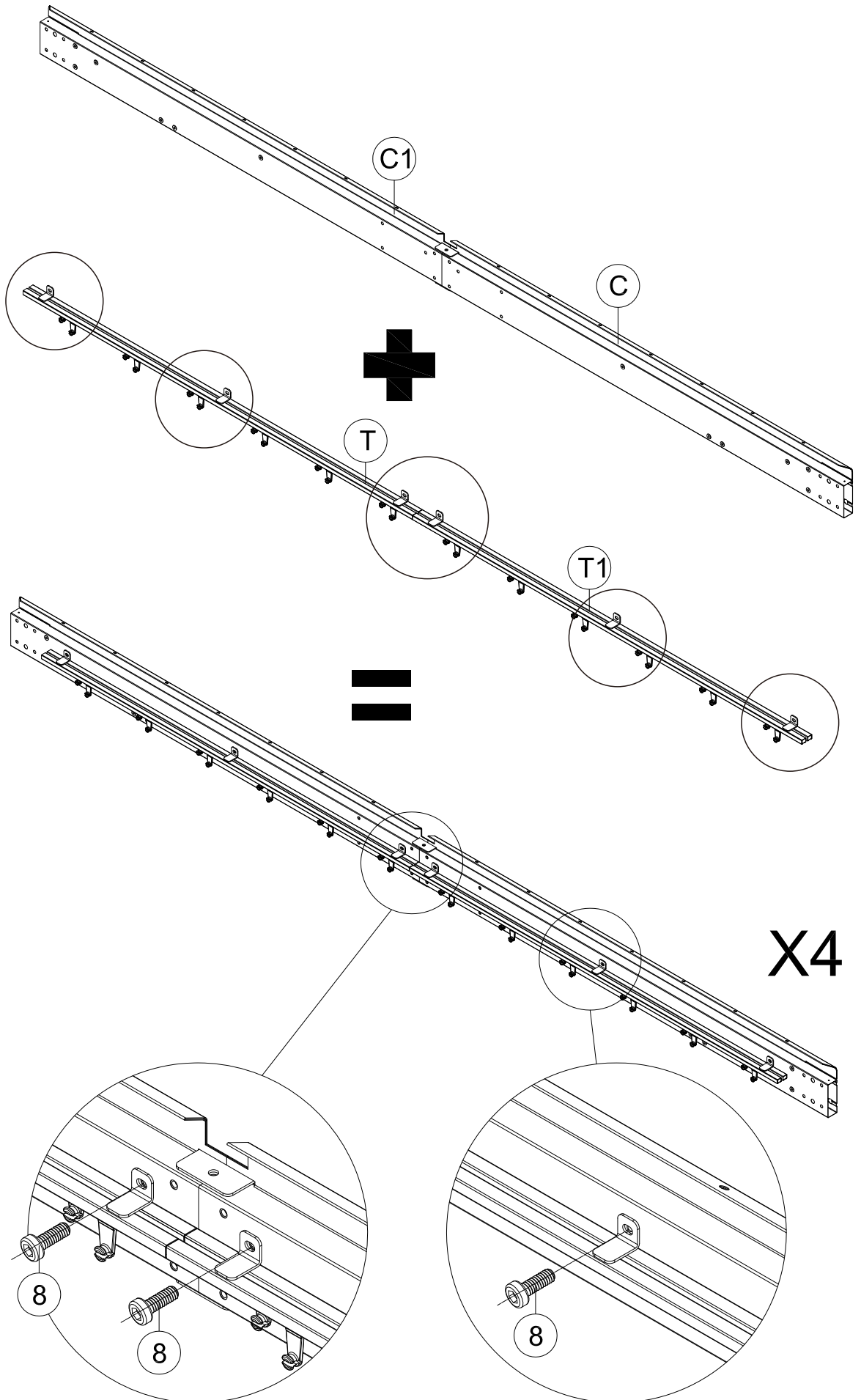
1 1x



M6x16

8 24x

(1) Use 6 Bolts #8 to fix the track T & T1 to the beam C & C1.



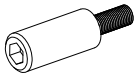
8

(2) Repeat the above procedures for the other 3 beams.



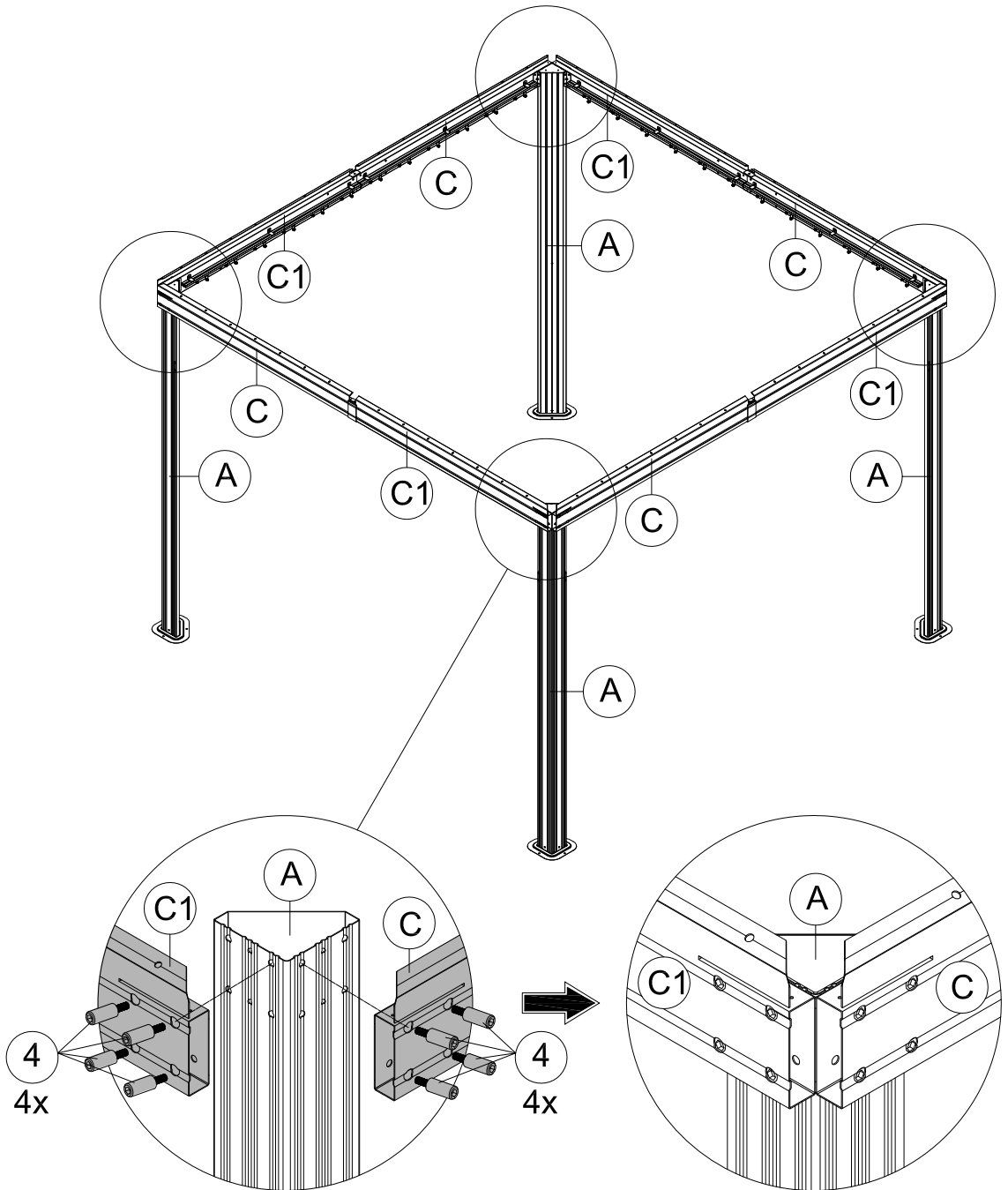
S6

1 1x



M6x15

4 32x



- (1) Connect Part #C/C1 to Part #A with 8 Bolts #4.(From Outside)
- (2) Repeat the above procedures to assemble the other 3 corners.

 Please don't tighten all bolts.

✓ S4

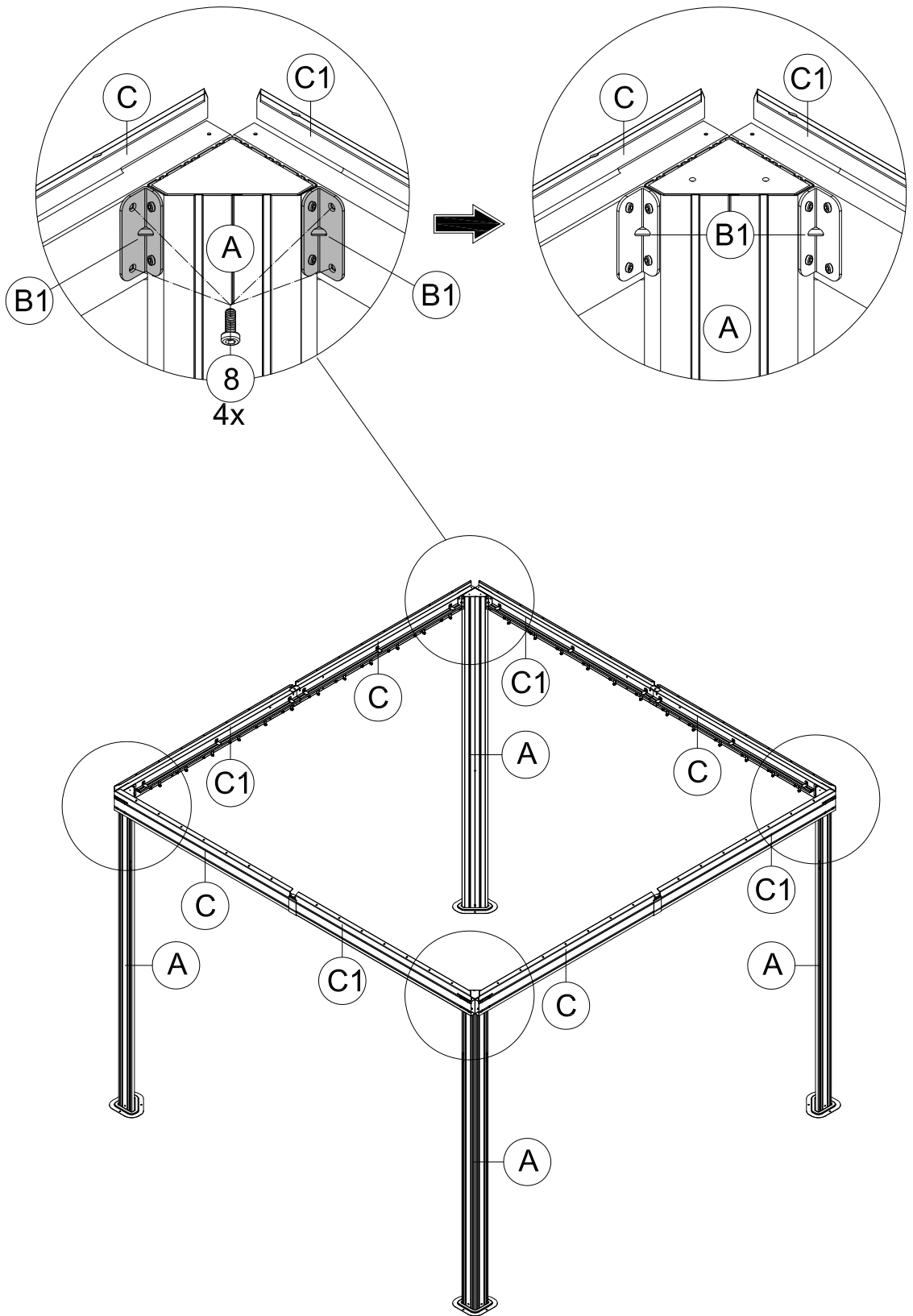
1 1x



M6x16

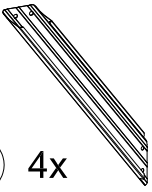
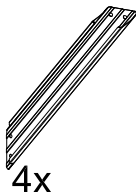
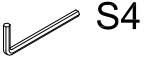

8 16x

(1) Connect Part #C/C1 to Part #A with 4 Bolts #8.(From Inside)

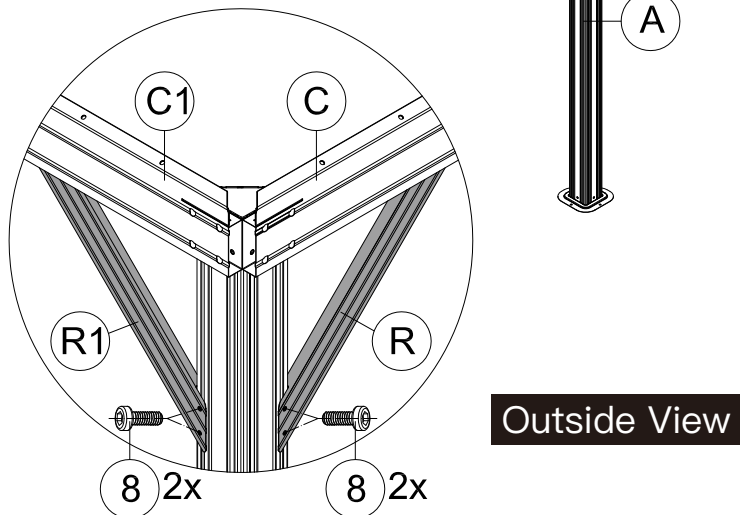
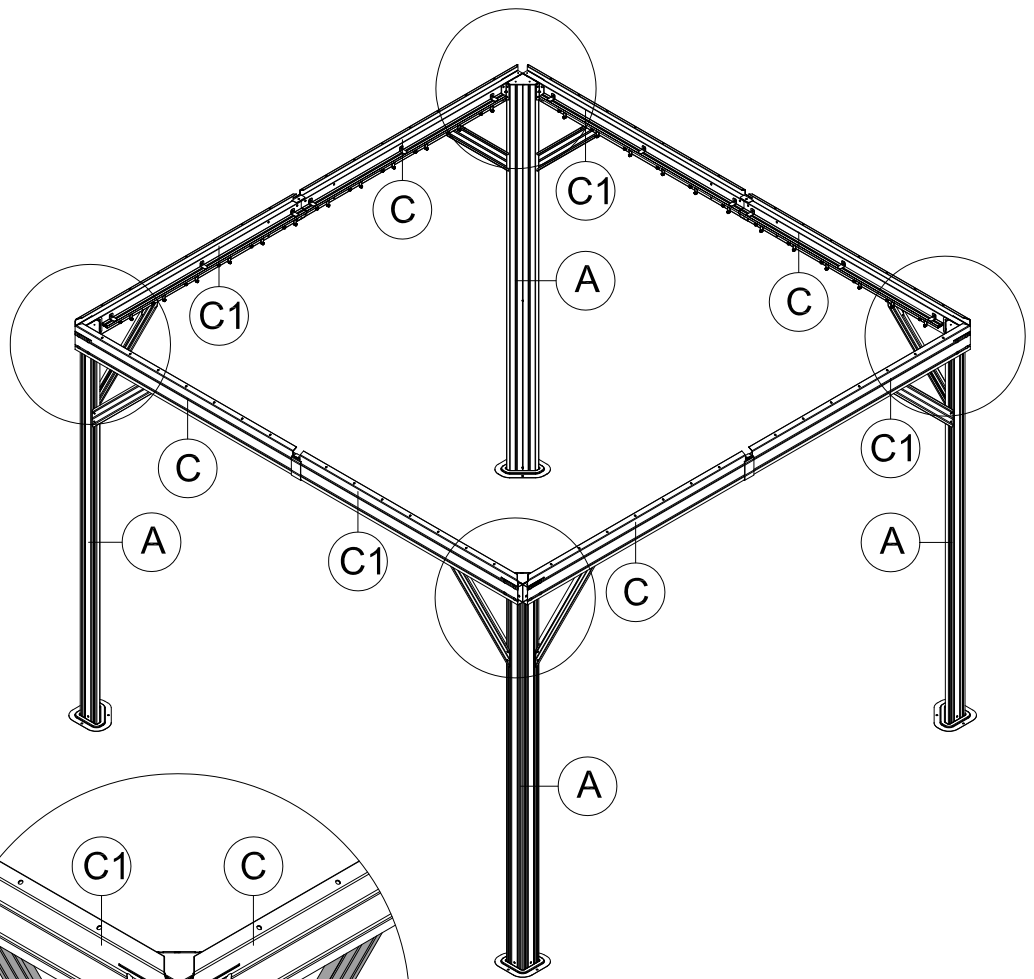
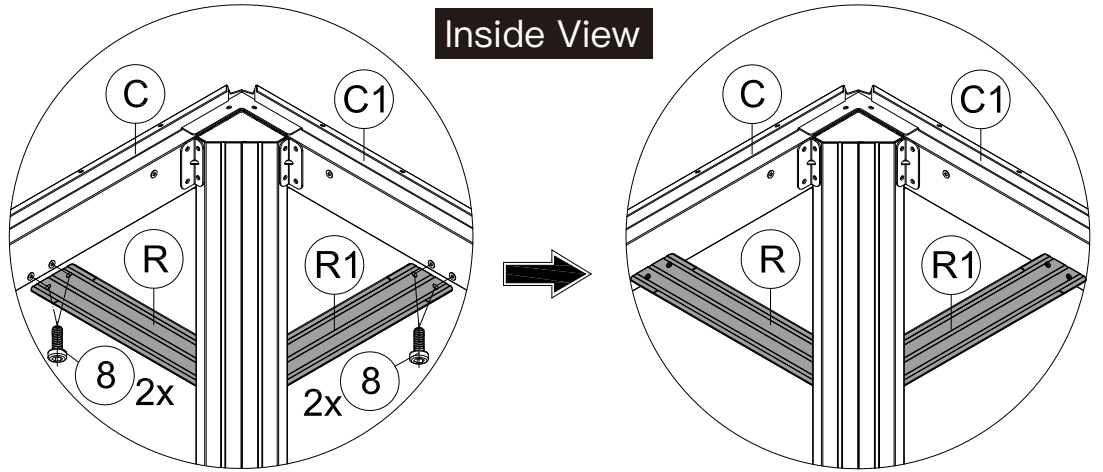


(2) Repeat the above procedures to assemble the other 3 corners.

⚠ Please don't tighten all bolts.

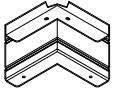
-  **R** 4x
-  **R1** 4x
-  **S4**
- 1** 1x
-  **M6x16**
- 8** 32x

(1) Affix Part #R and Part #R1 to the frame with 8 Bolts #8.



(2) Repeat the above procedures for the other 3 corners.

 Tighten all the bolts.

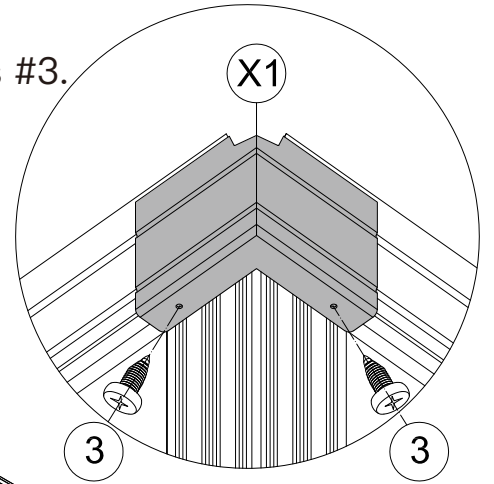
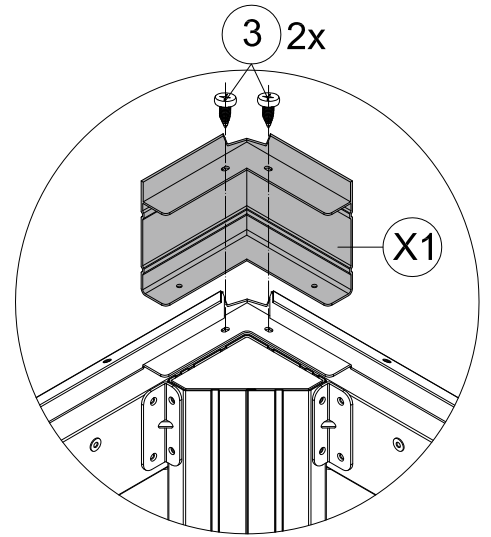
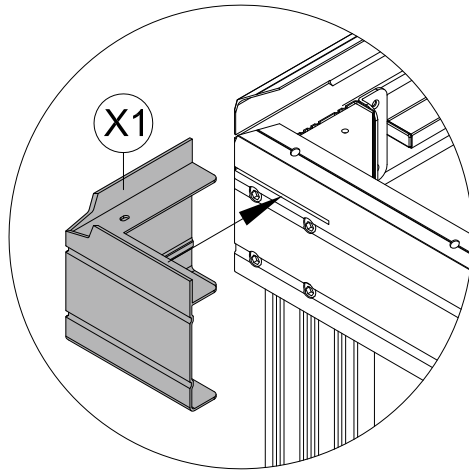


X1 4x

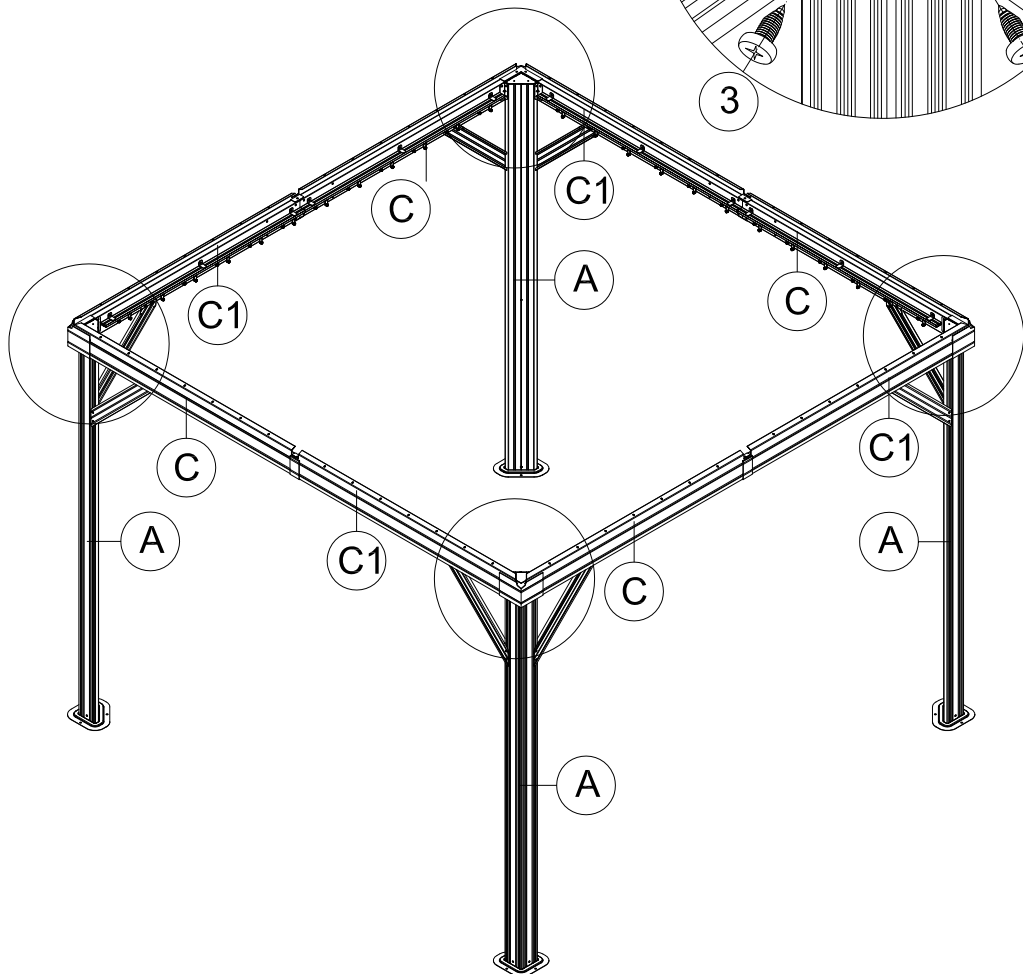


ST5x16

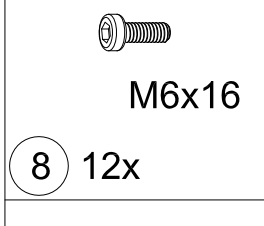
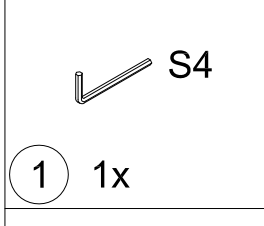
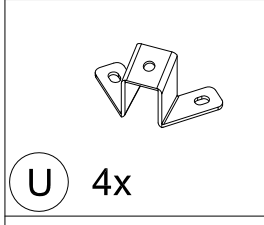
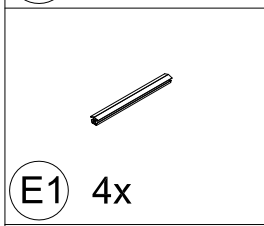
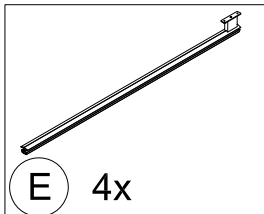
3 16x



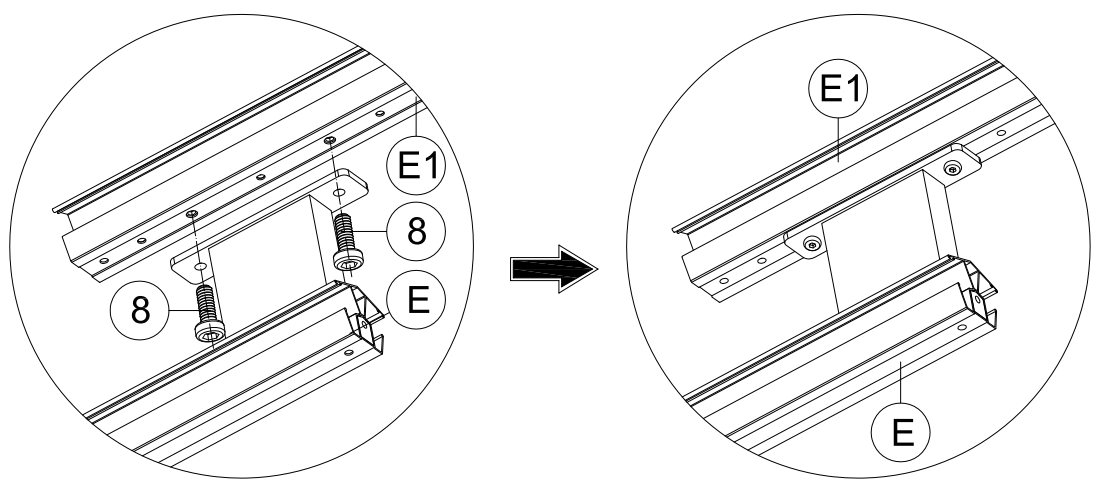
- (1) Cover the corner with Part #X1.
- (2) Secure with 2 Self-tapping Screws #3.
(from top to bottom)
- (3) Secure with 2 Self-tapping Screws #3.
(from bottom to top)



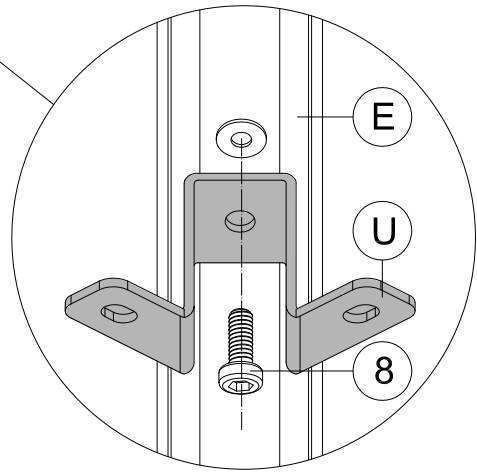
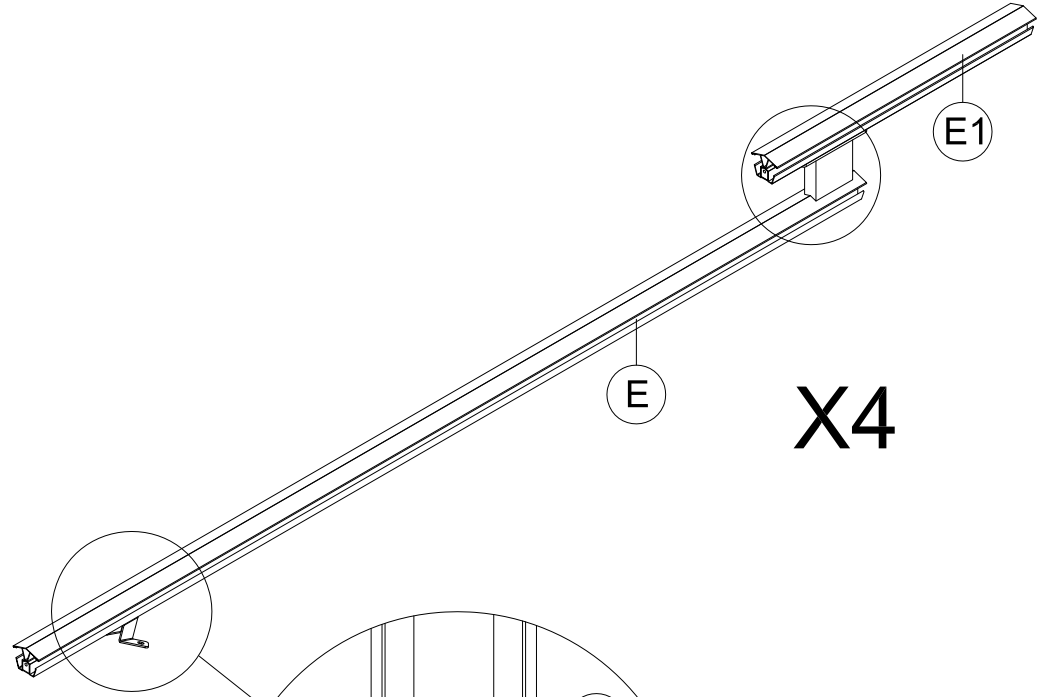
(4) Repeat the above procedures for the other 3 corners.



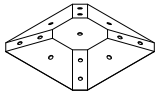
Assemble the 4 Corner Roof Bars:



(1) Connect Part #E1 and Part #E with 2 Bolts #8 .



- (2) Attach Part #U to Part #E with Bolt #8 .
- (3) Repeat the above procedures for the other 3 corner roof bars.



S 1x



1 1x



M6x16

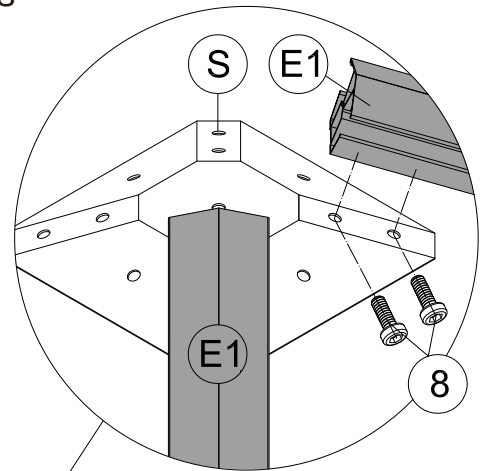
8 16x

Please have a freestanding ladder ready at the center of the gazebo.

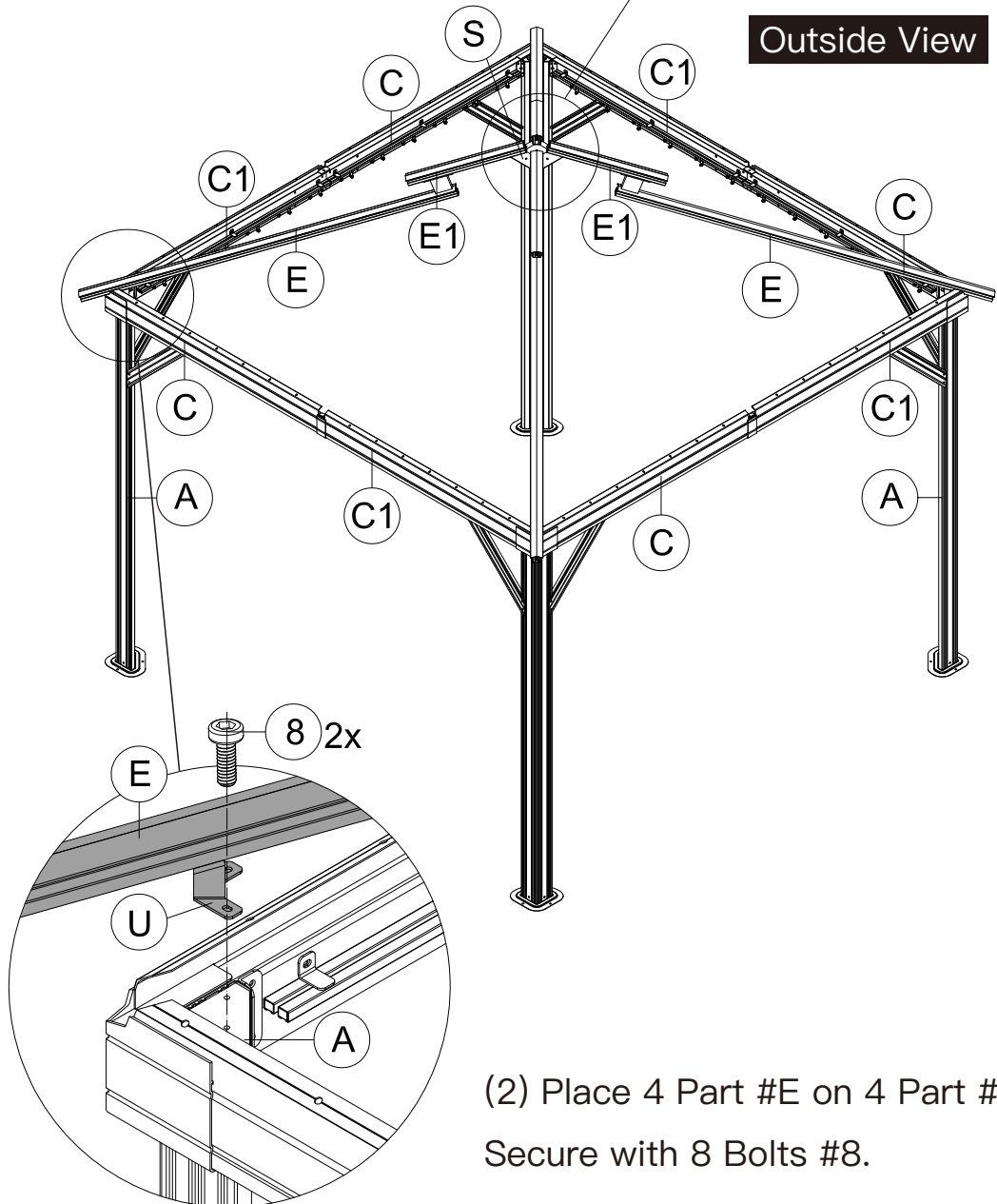
(1) Place 4 Part #E1 on the 4 corners of Part #S.

Secure with 8 Bolts #8 (from bottom to top)

ATTENTION: You can also finish this step on the ground and then lift 4 corner roof bars and inside roof connector to the top together. (Need 2 people and 2 ladders)

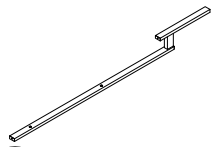
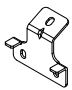
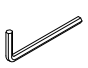

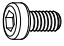



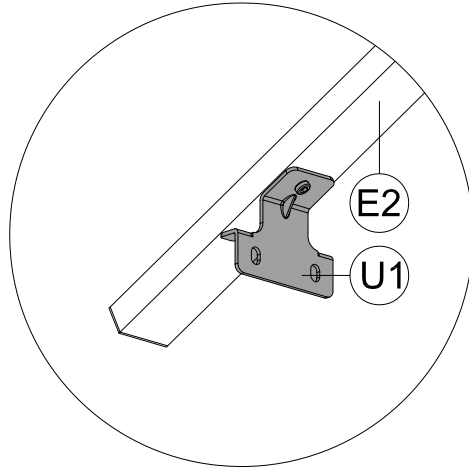
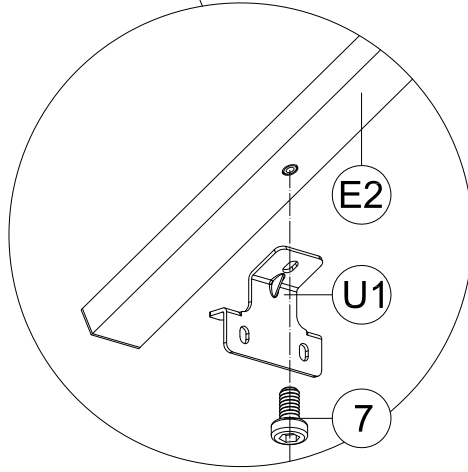
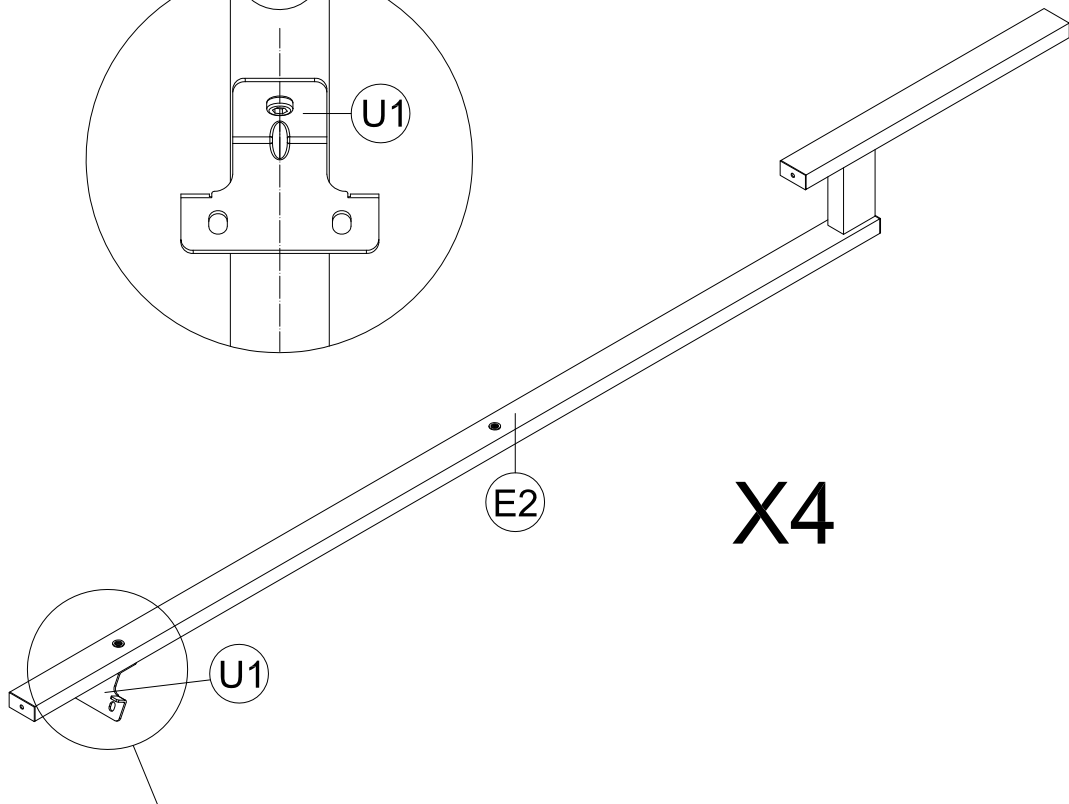
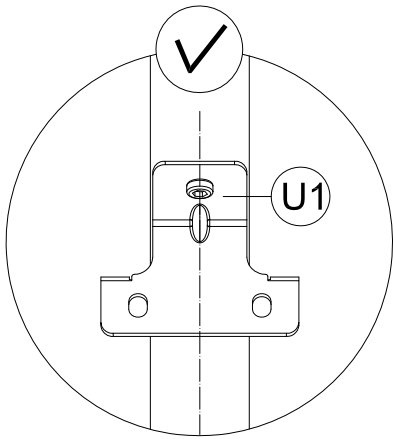
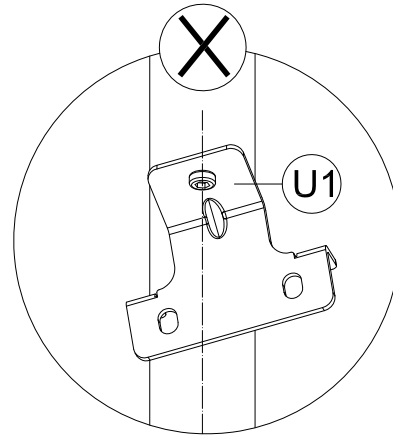
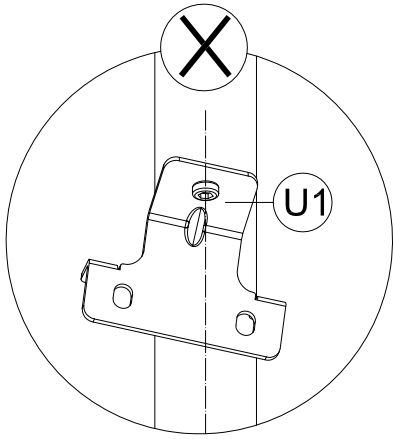
Outside View



(2) Place 4 Part #E on 4 Part #A;
Secure with 8 Bolts #8.

Outside View

-  E2 4x
-  U1 4x
-  S4
-  1 1x
-  M6x10
-  7 4x



- (1) Attach Part #U1 to Part #E2 with Bolt #7.
- (2) Repeat the above procedures for the other 3 roof bars.



S4

1 1x



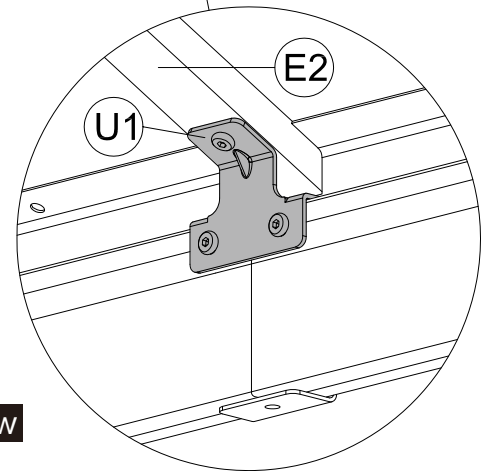
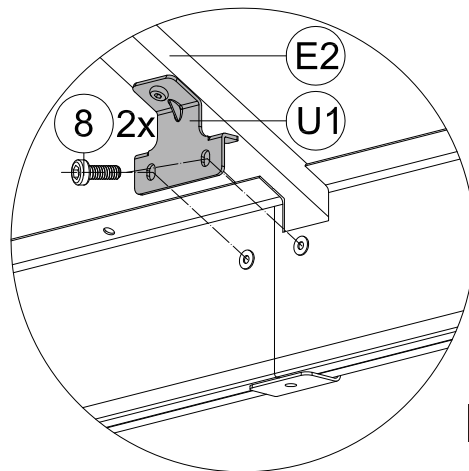
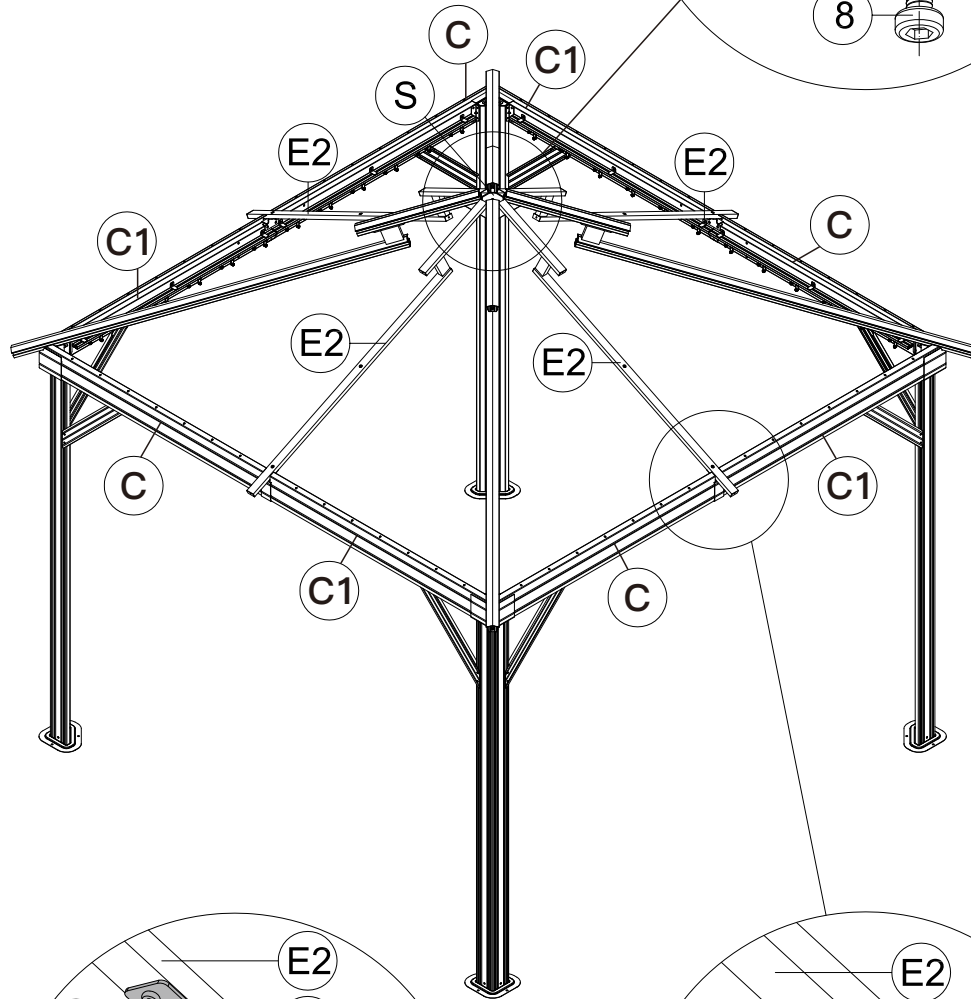
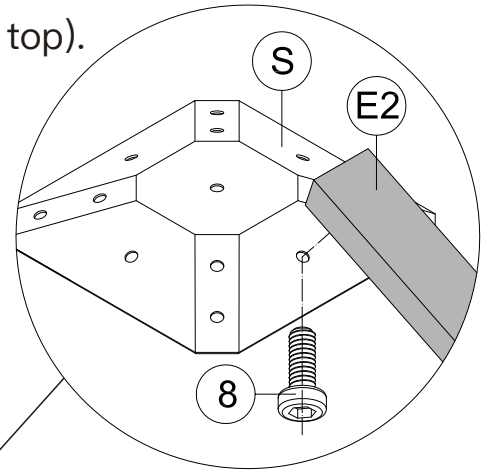
M6x16

8 12x

(1) Place Part #E2 on part #S.

Secure with Bolt #8 (from bottom to top).

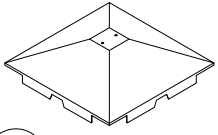
Outside View



Inside View

(2) Connect Part #E2 and the Assembled Beam(C&C1) with part #U1.
Secure with 2 Bolts #8.

(3) Repeat the above procedures for the other 3 sides.

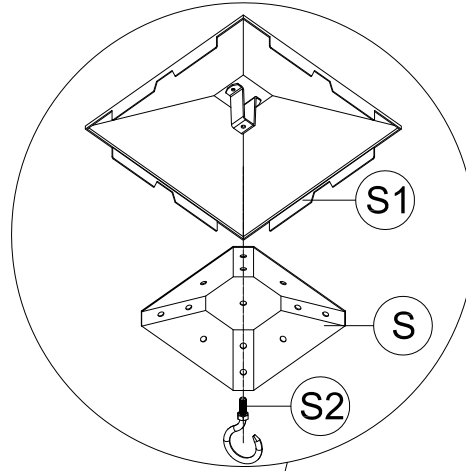


(S1) 1x

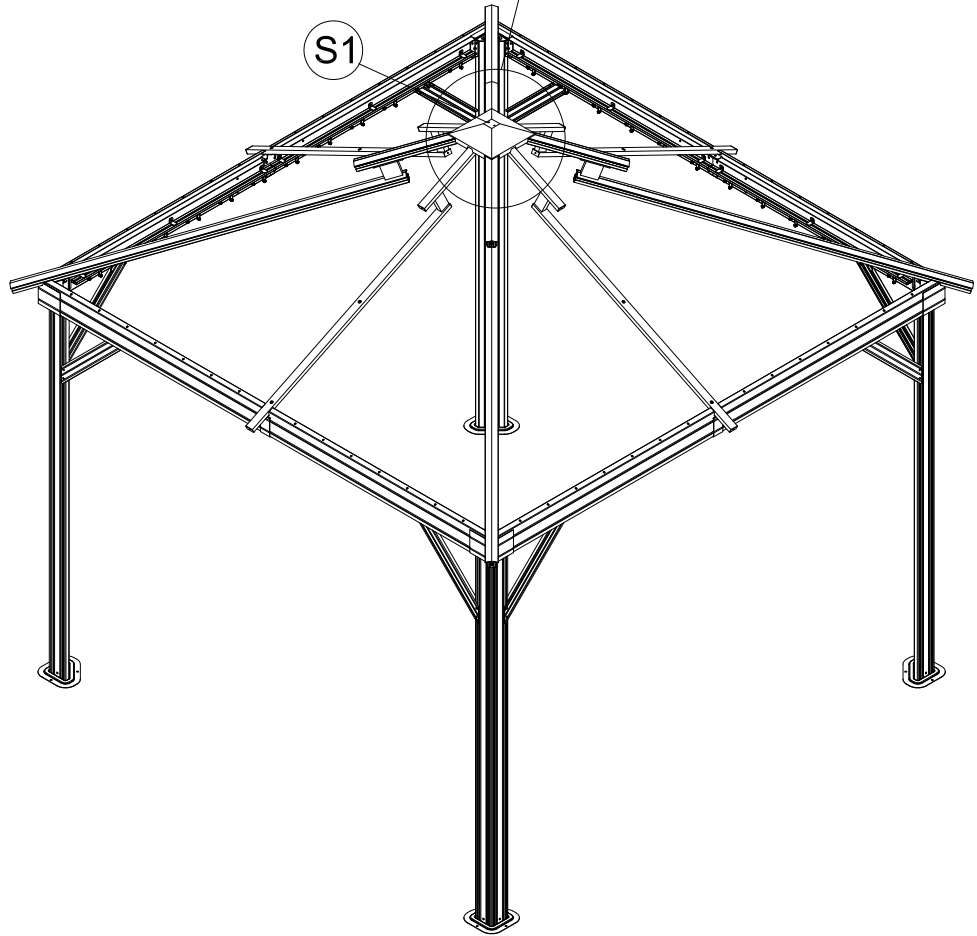


(S2) 1x

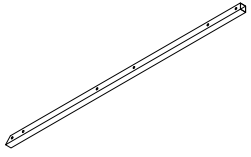
Secure Part #T to Part #S and Part #S1.



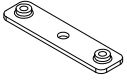
Outside View



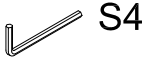
ATTENTION: The holes of Part #S and Part #S1 need to be aligned, on the same vertical line.



F 8x



U3 4x



1 1x



M6x10

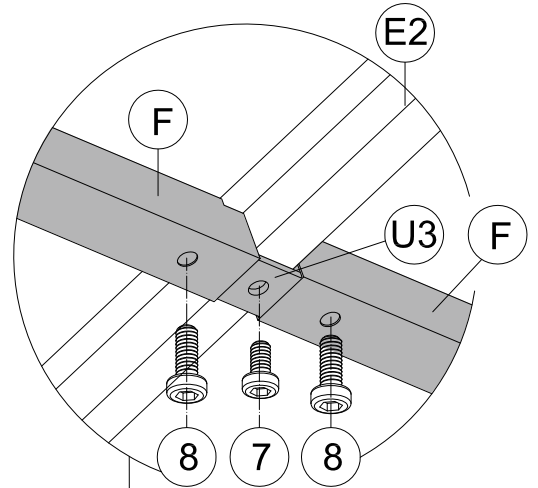
7 4x



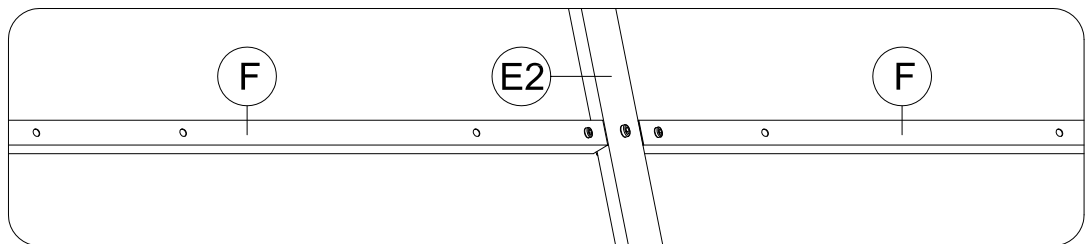
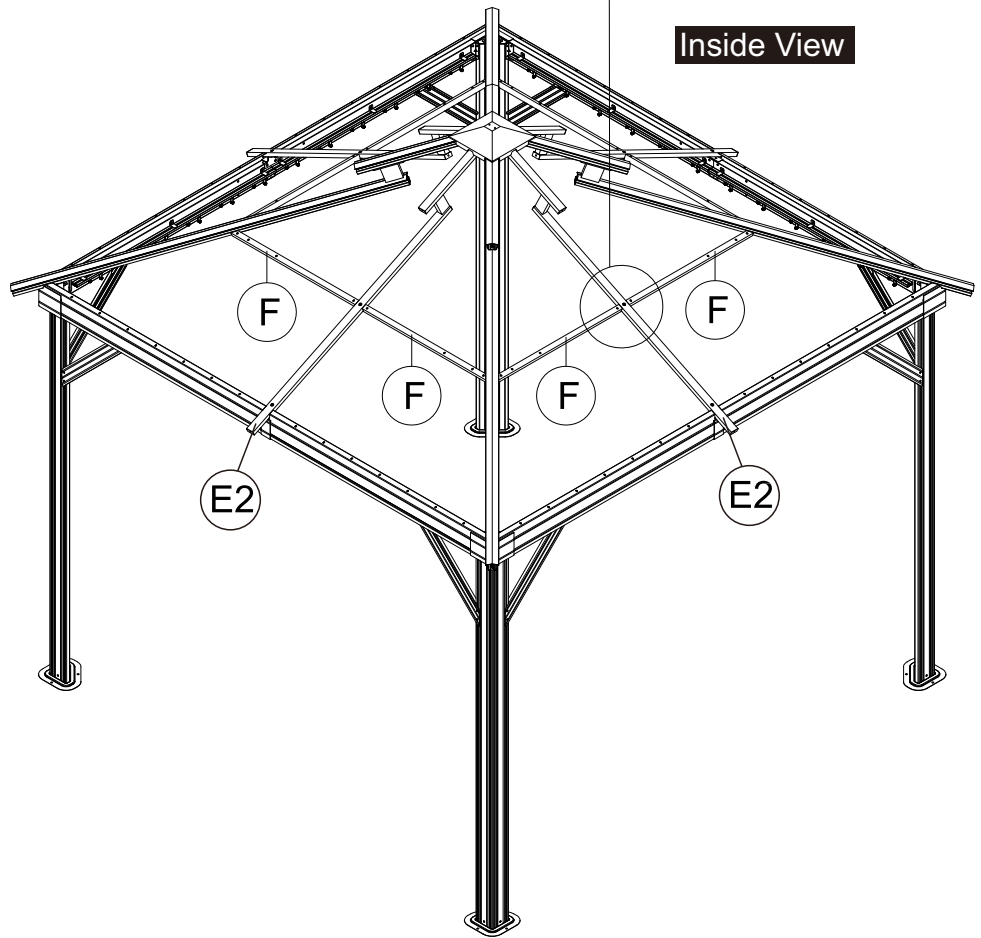
M6x16

8 8x

- (1) Insert Part #U3 into 2 Part #F.
- (2) Attach Part #F to the Part #E2 with 1 Bolt #7 and 2 Bolts #8.



Inside View

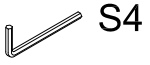


- (3) Repeat the above procedures for the other 3 sides.

Outside View



U2 4x

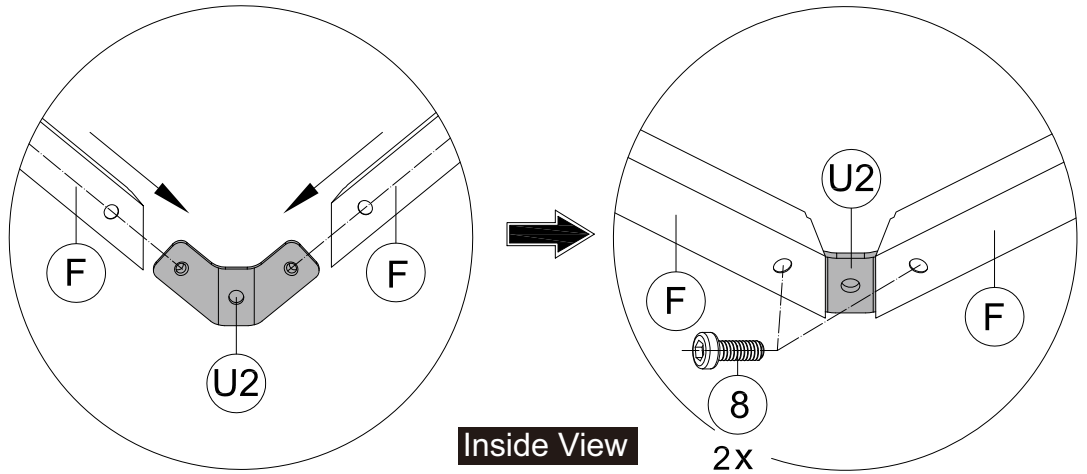


1 1x

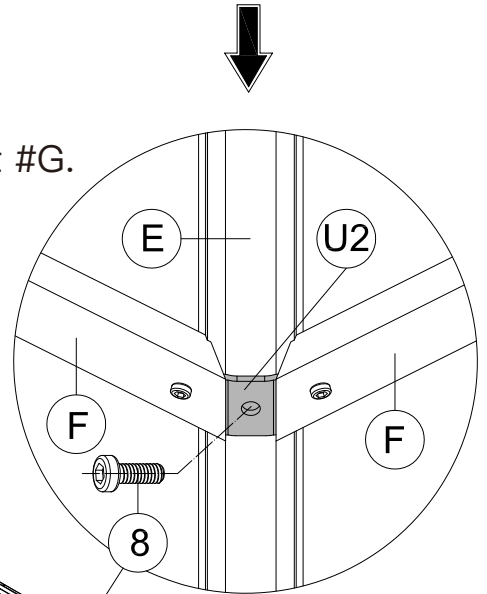


M6x16

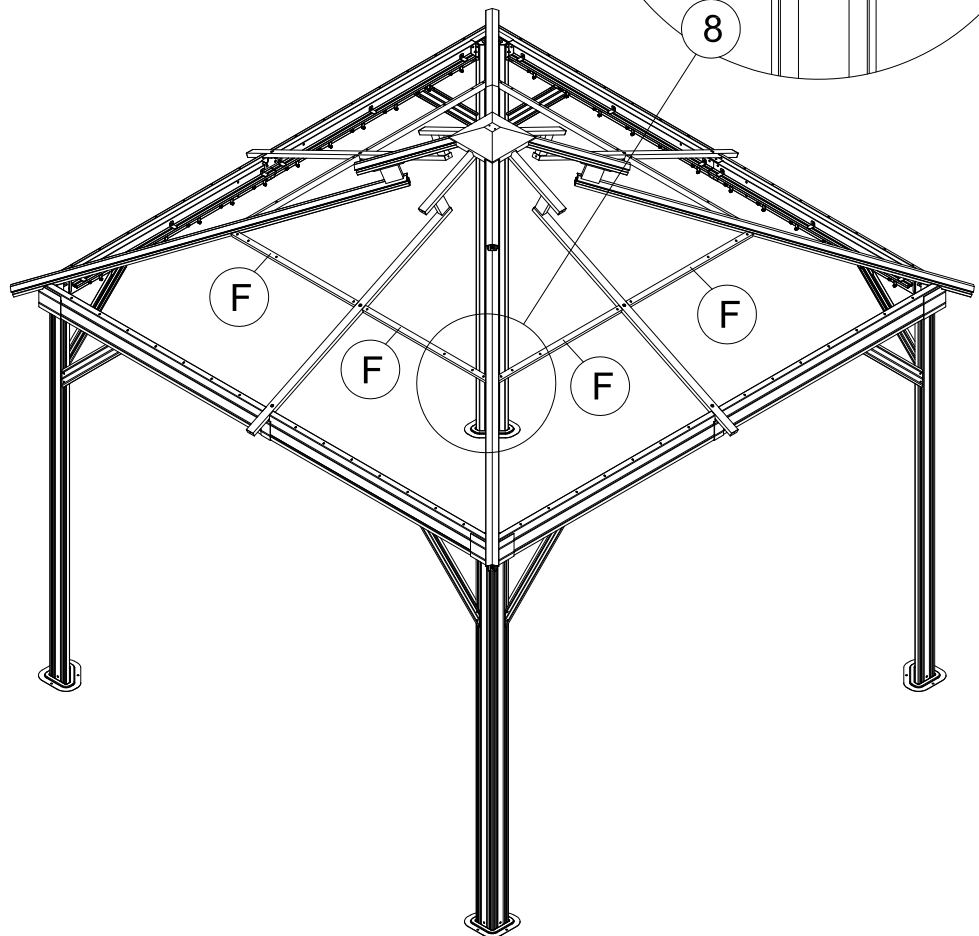
8 12x



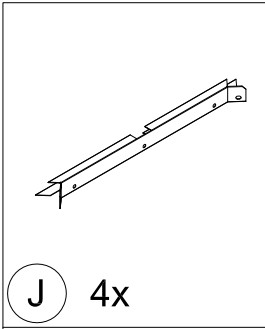
Inside View



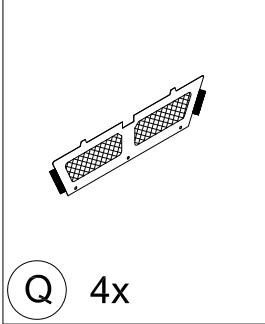
- (1) Insert Part #U2 into Part #F and Part #G.
- (2) Secure with 2 Bolts #8.
- (3) Secure them to Part #E with Bolt #8.



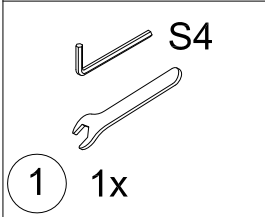
- (4) Repeat the above procedures for the other 3 sides.



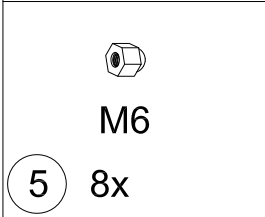
J 4x



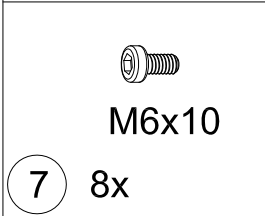
Q 4x



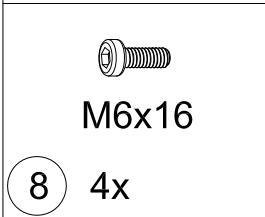
1 1x



5 8x

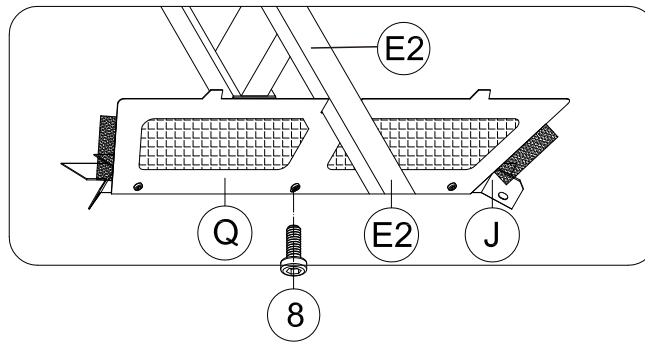
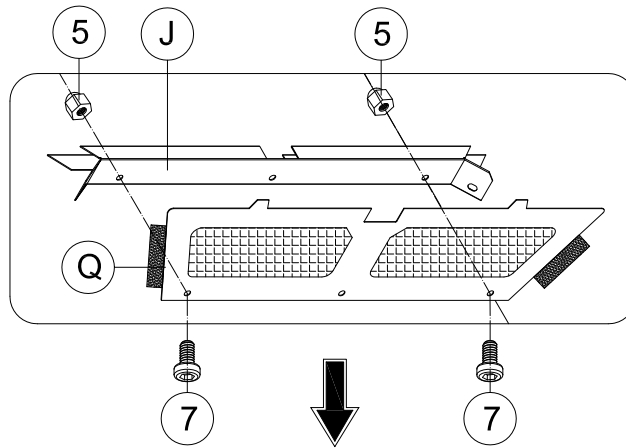


7 8x

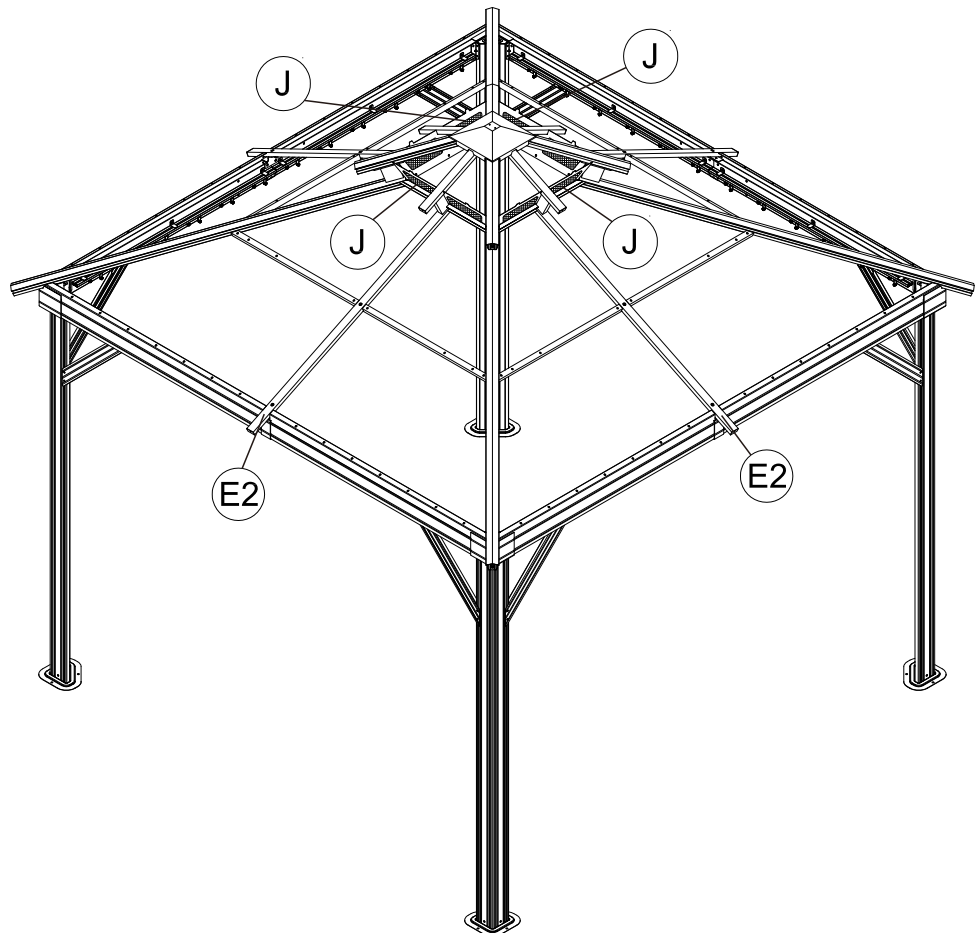


8 4x

(1) Connect Part #J and Part #Q with 2 Bolts #7 and 2 Nuts #5.



(2) Place the Assembled Part #J & #Q on Part #E2, securing with 1 Bolt #8.



(3) Repeat the above procedures for the other 3 sides.



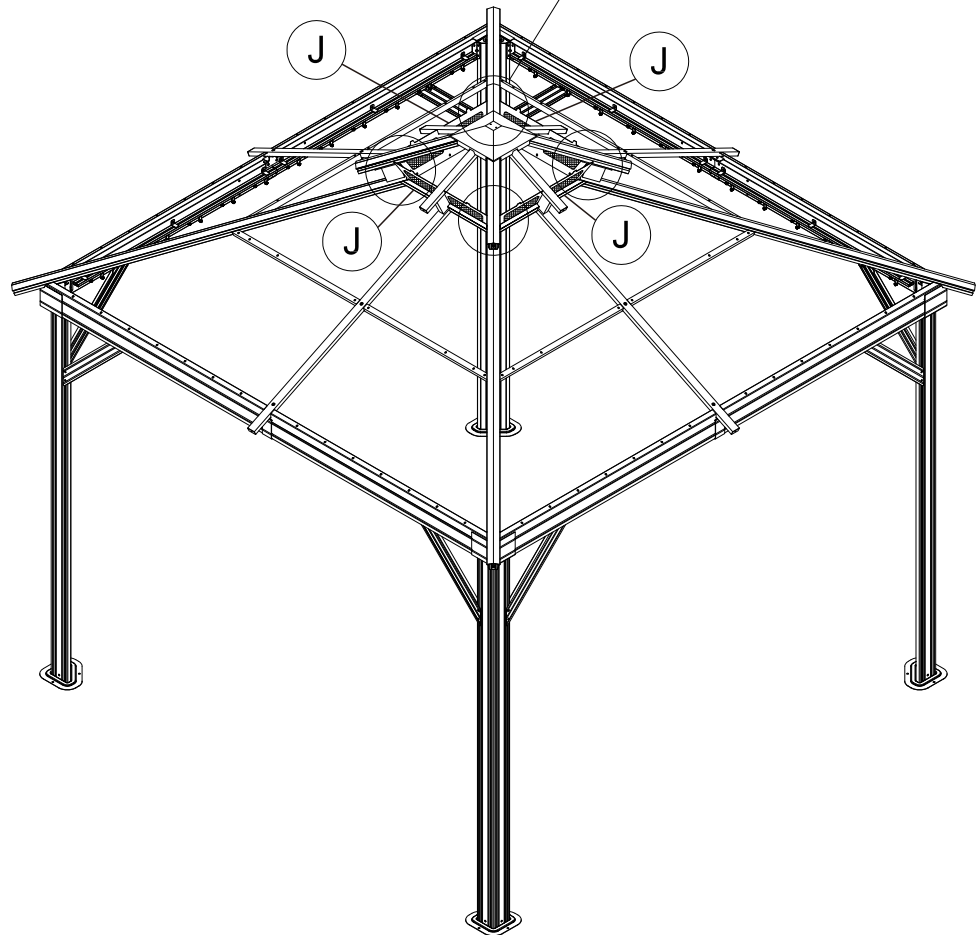
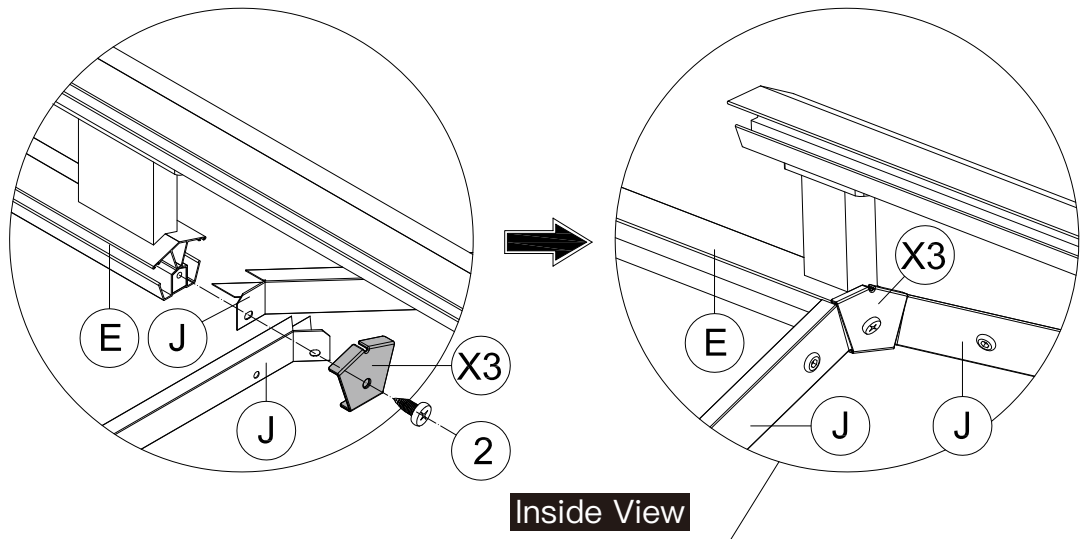
X3 4x



ST6.3x15

2 4x

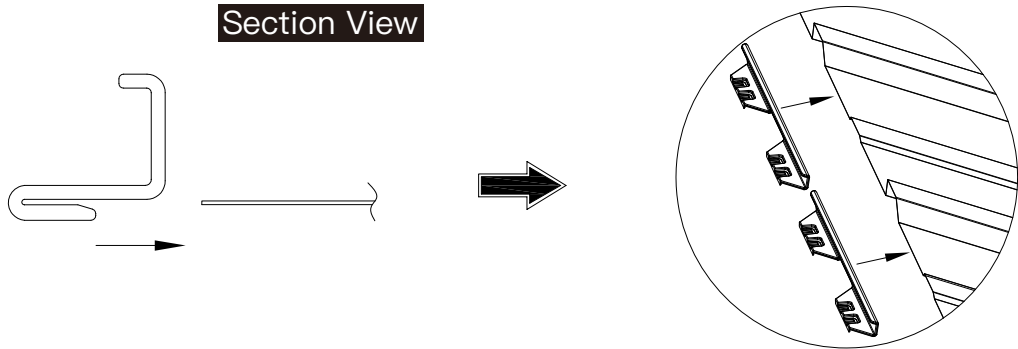
(1) Place 2 Part #J on Part #E, put on Part #X3 and secure with Self-tapping Screw #2.



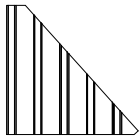
(2) Repeat the above procedures for the other 3 corners.

Cover Part #Z, #Z1 & #Z2 to Roof Panels.

Section View



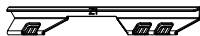
L1 4x



L2 4x



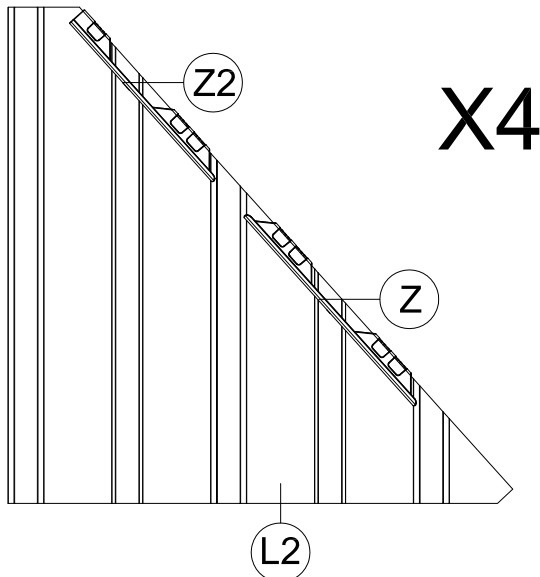
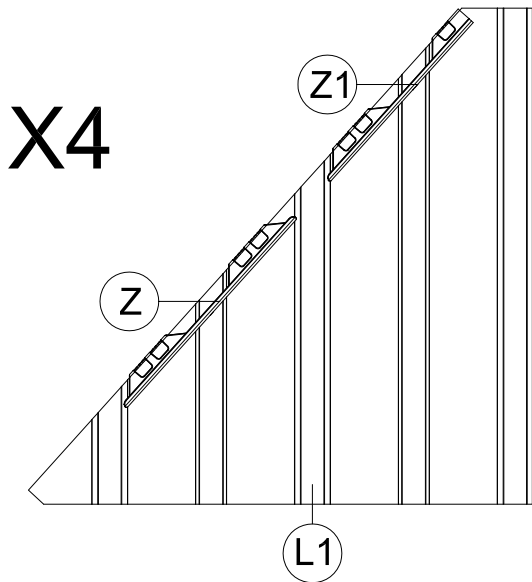
Z 8x

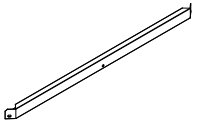


Z1 4x



Z2 4x

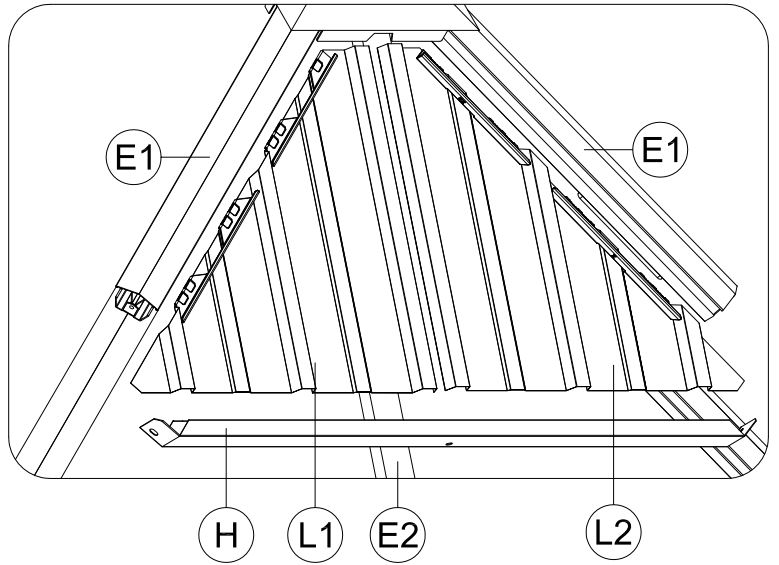




ATTENTION: The bigger roof panel need to cover the smaller one.

H 4x

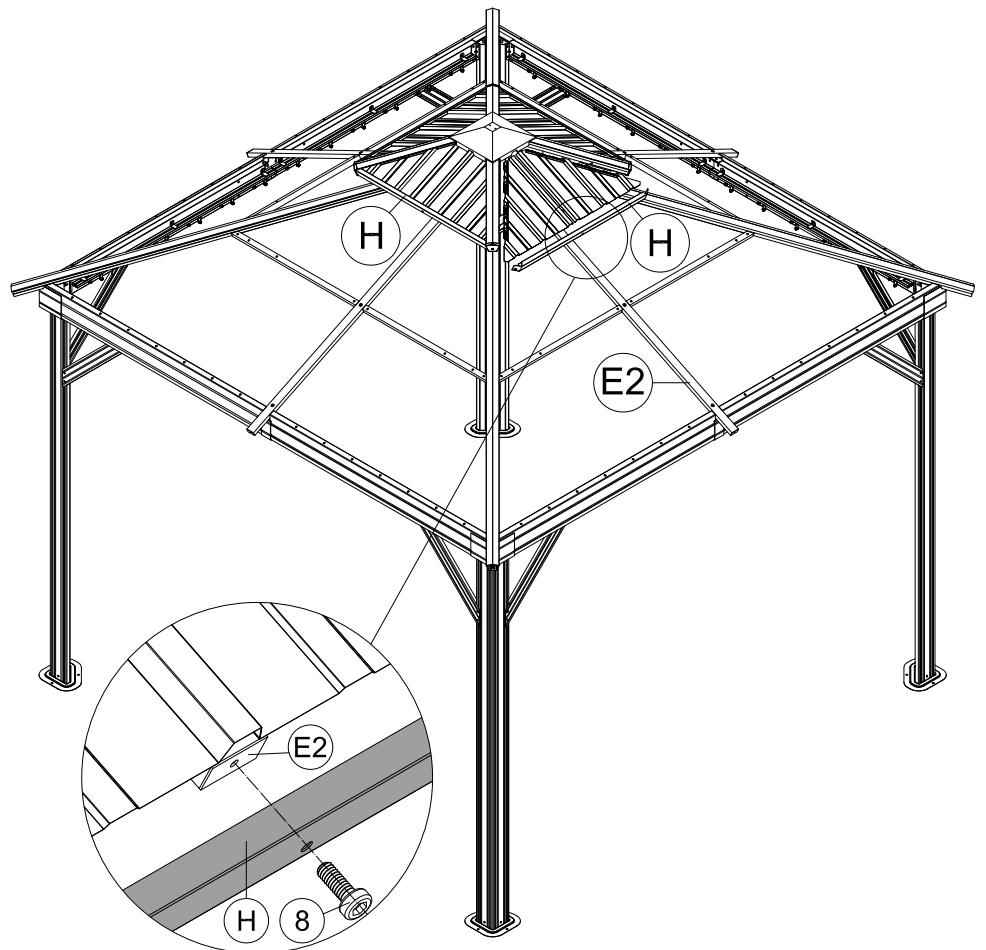
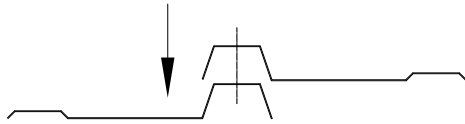
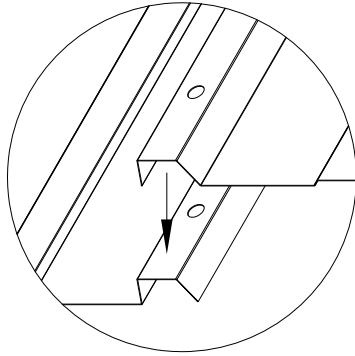
(1) Insert Part #L1 and Part #L2 into the fame.



1 1x



8 4x



(2) Attach Part #H to Part #E2, securing with Bolt #8.

(3) Repeat the above procedures for the other 3 sides.



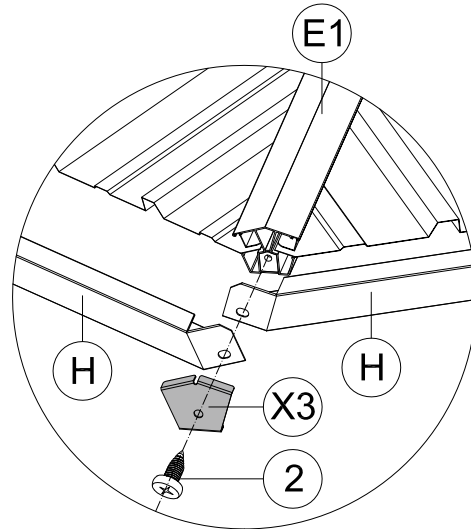
X3 4x



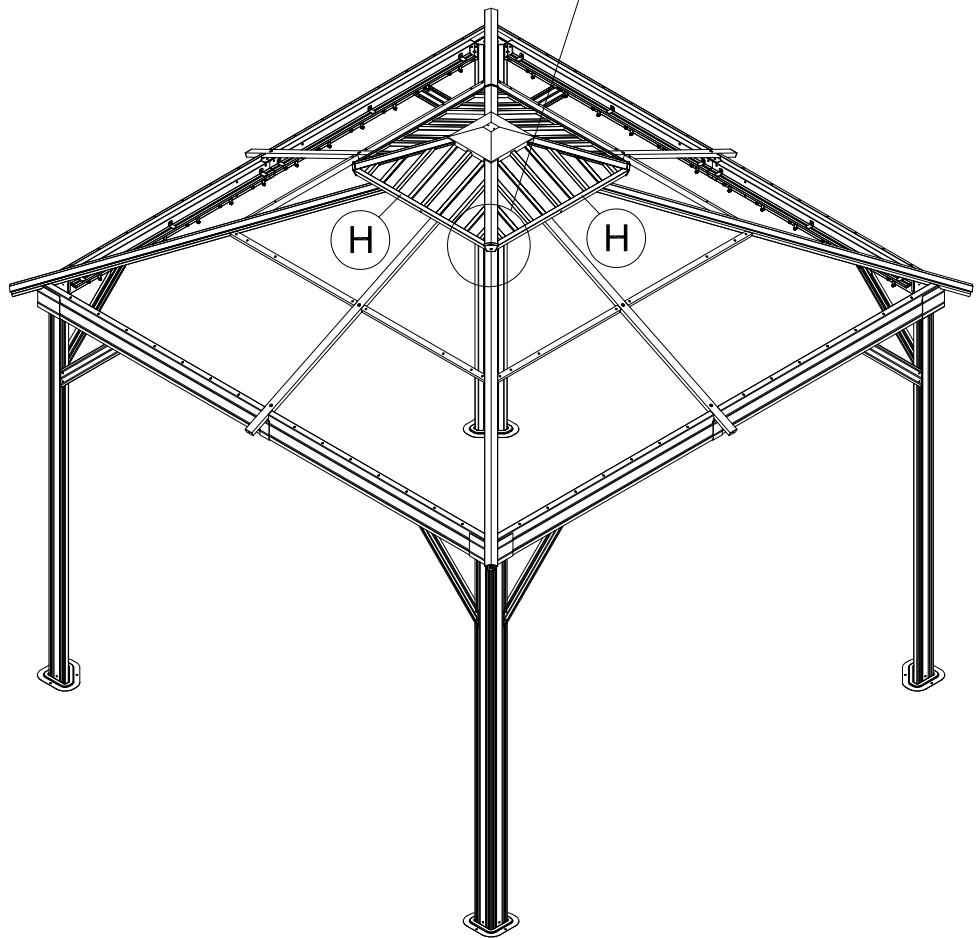
ST6.3x15

2 4x

(1) Place 2 Part #H on Part #E1, put on Part #X3 and secure with Self-tapping Screw #2.

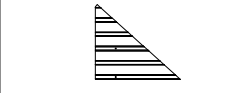


Outside View

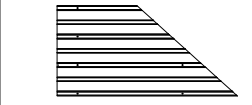


(2) Repeat the above procedures for the other 3 corners.

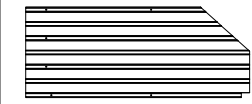
Cover Part #Z, #Z3 & #Z4 to Roof Panels.



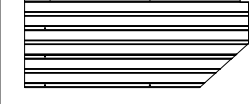
M1 4x



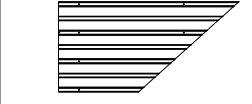
M2 4x



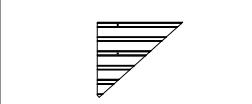
M3 4x



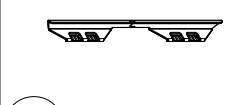
M4 4x



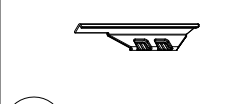
M5 4x



M6 4x



Z 48x

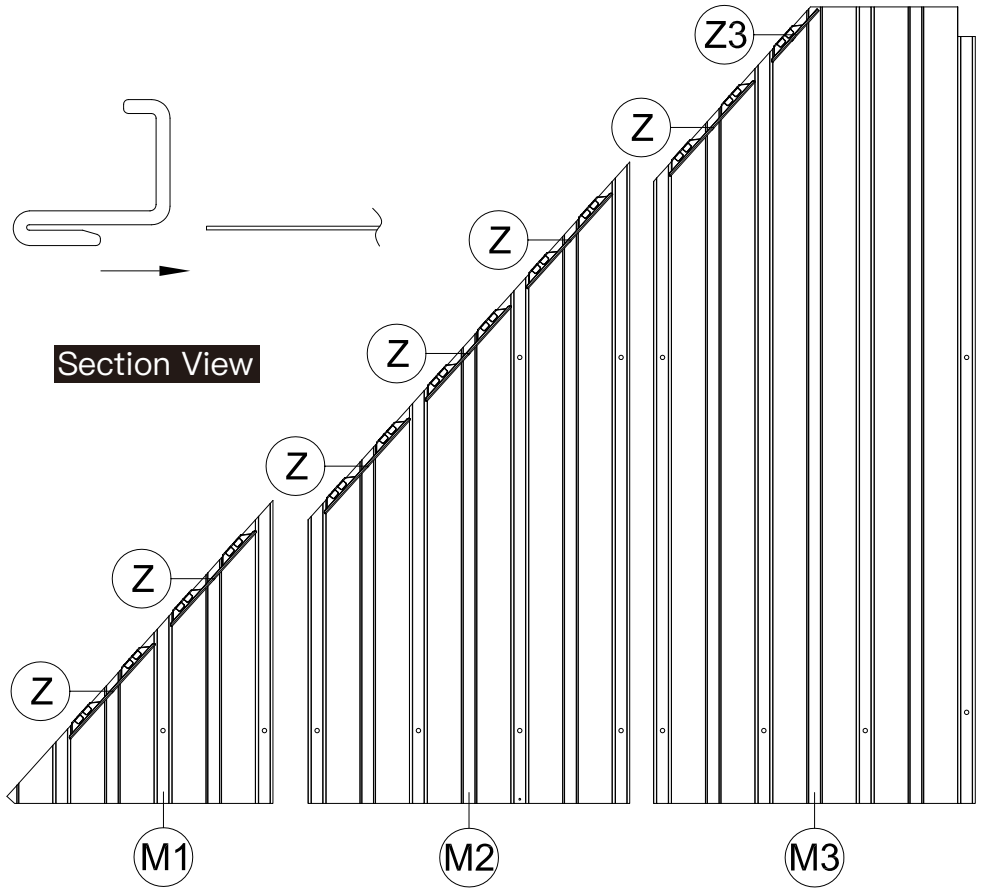


Z3 4x

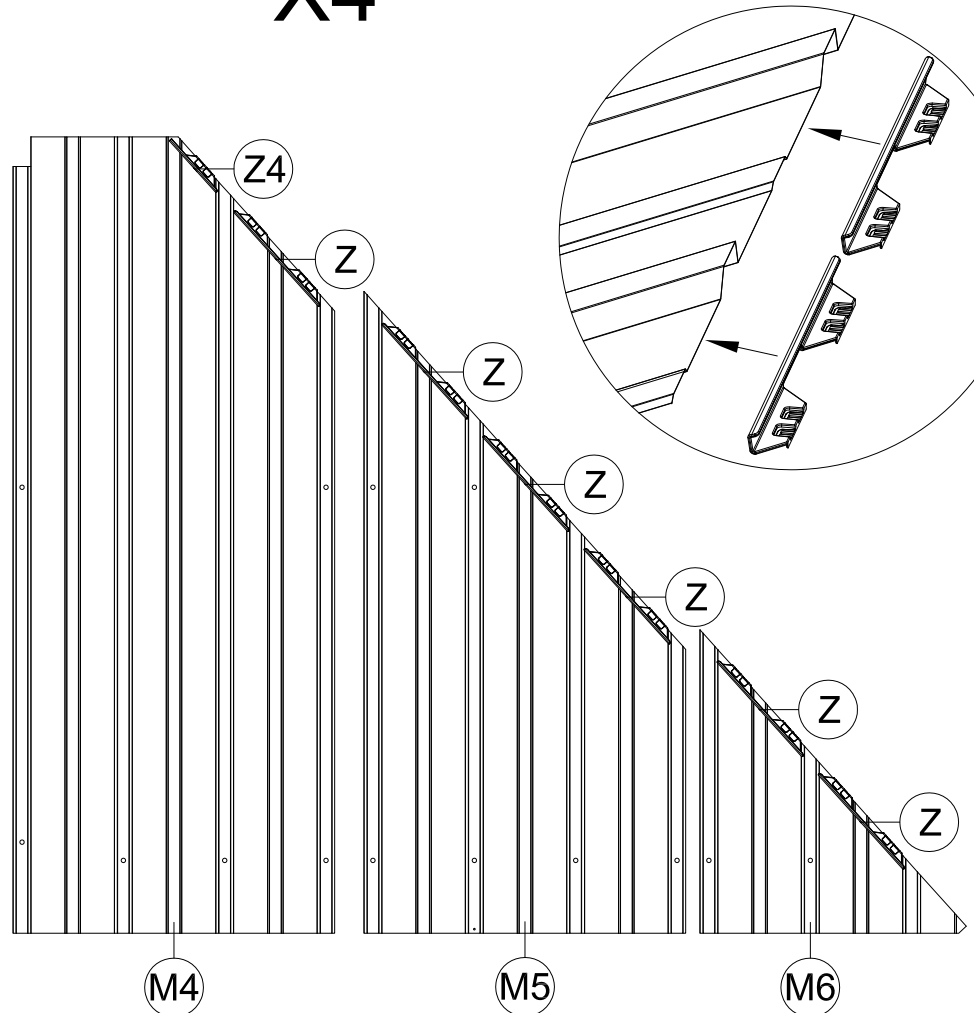


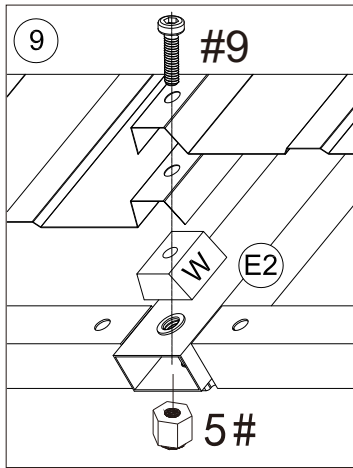
Z4 4x

25

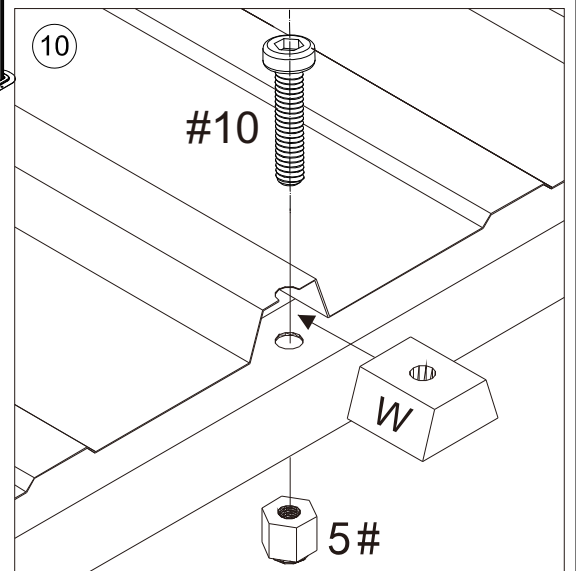
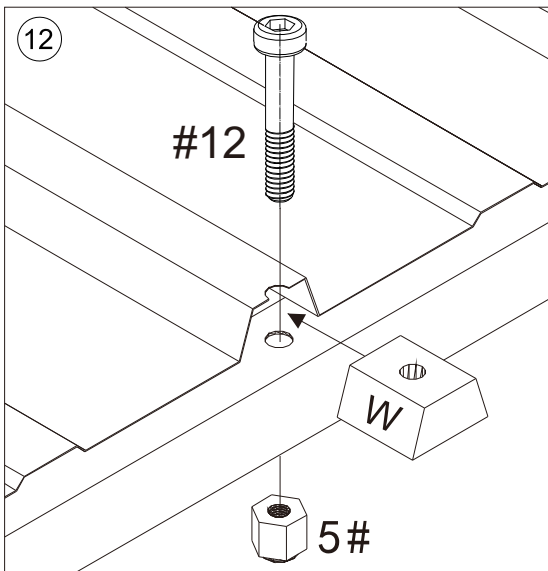
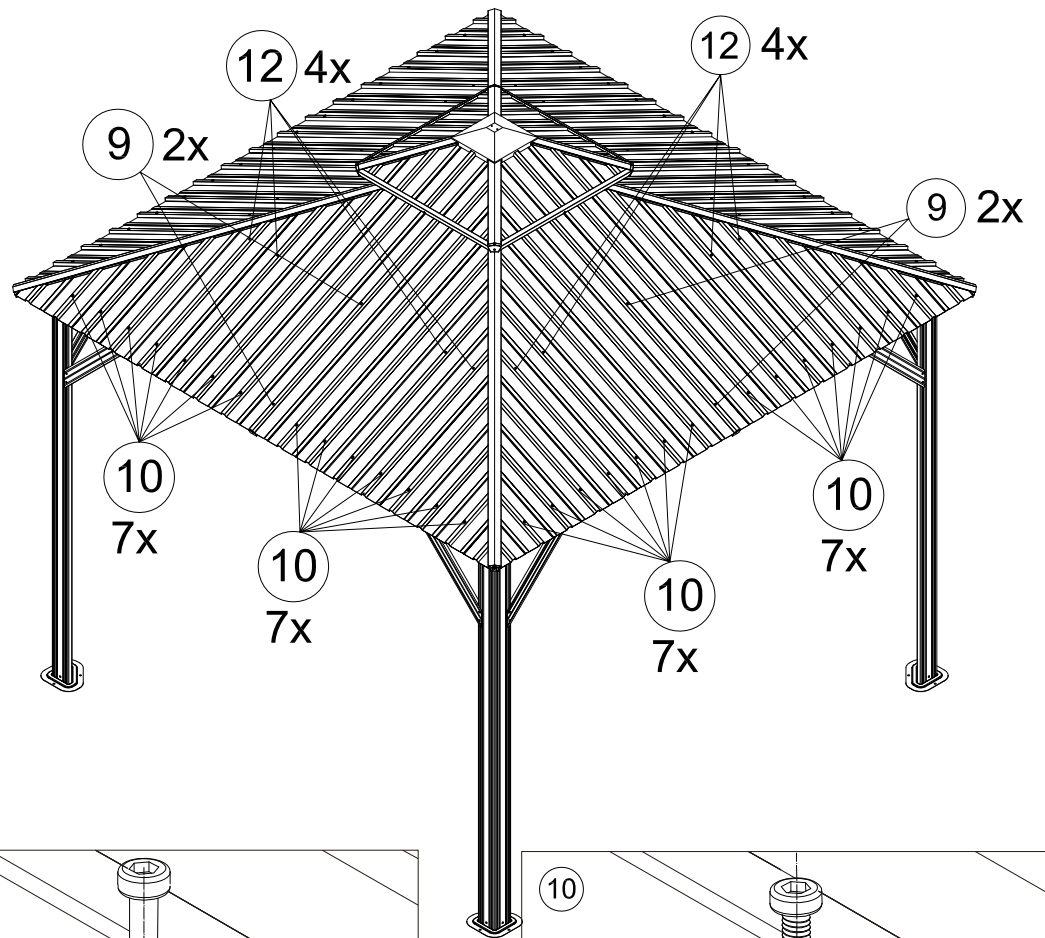


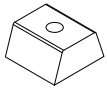
X4



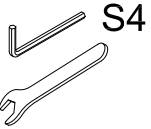


⚠ Part #W should be inserted between roof panels and solidifying bar or beams, then secure with bolts and nuts.





(W) 20x



(1) 1x



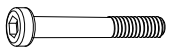
M6

(5) 20x



M6x28

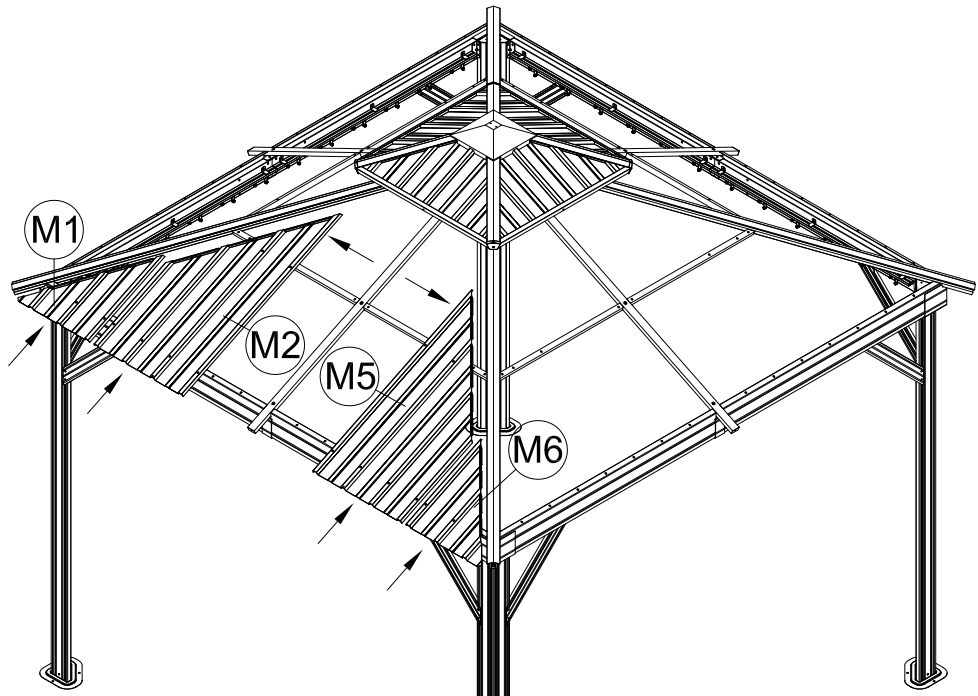
(10) 16x



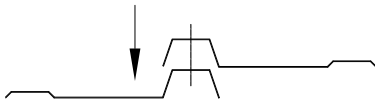
M6x50

(12) 4x

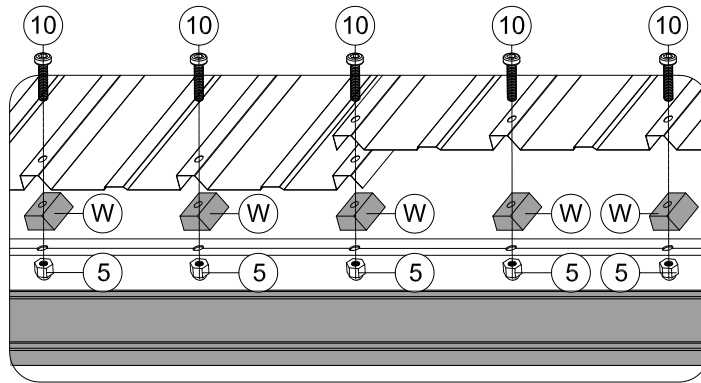
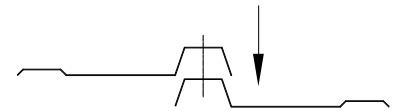
ATTENTION: The bigger roof panel need to cover the smaller one.



(1) Insert Part #M1 and Part #M2 into the frame.

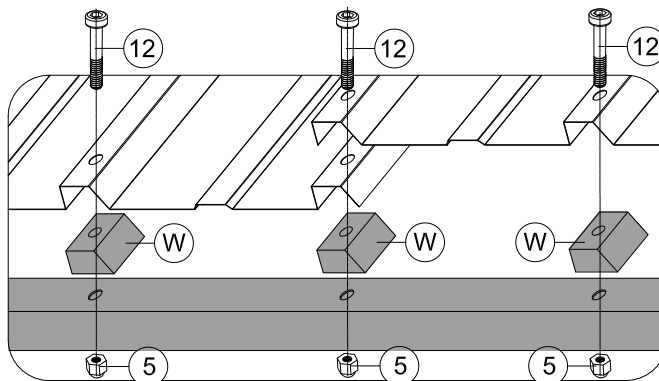


(2) Insert Part #M5 and Part #M6 into the frame.



Beam

(3) Place 8 Part #W between roof panels and beams. Then secure with 8 Bolts #10 and 8 Nuts #5.

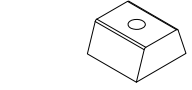
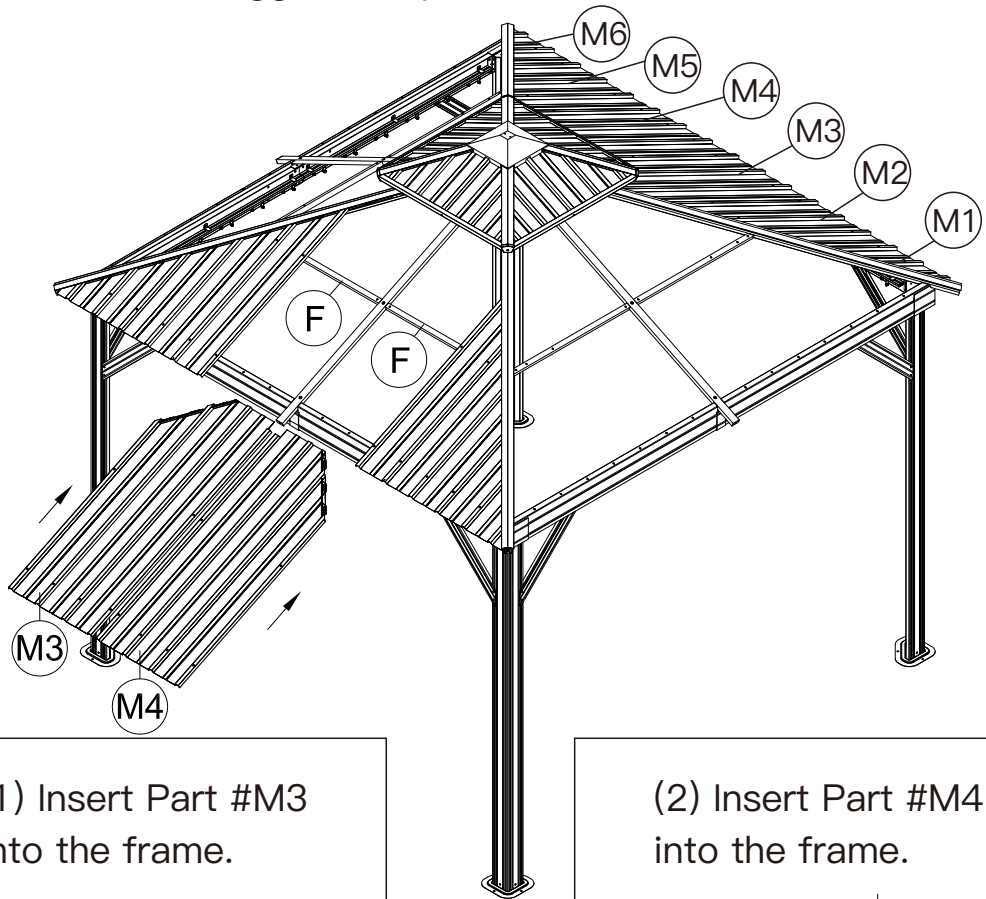


(4) Place 2 Part #W between roof panels and solidifying bars. Then secure with 2 Bolts #12 and 2 Nuts #5.

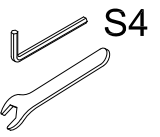
Solidifying Bar

(5) Repeat the above procedures to assemble the opposite side.

ATTENTION: The bigger roof panel need to cover the smaller one.



(W) 16x

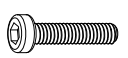


(1) 1x



M6

(5) 16x



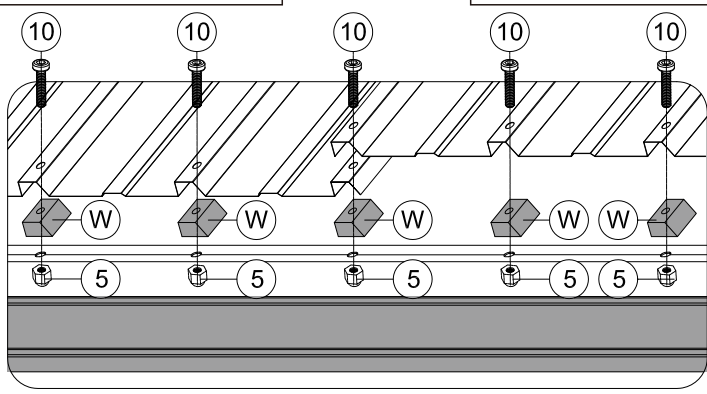
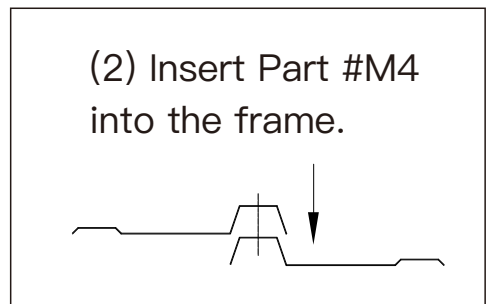
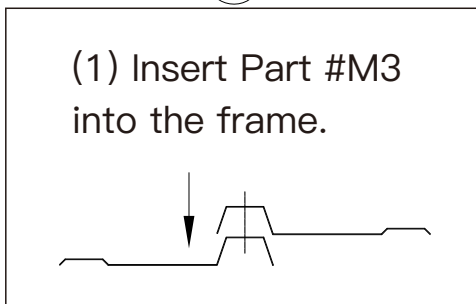
M6x28

(10) 12x



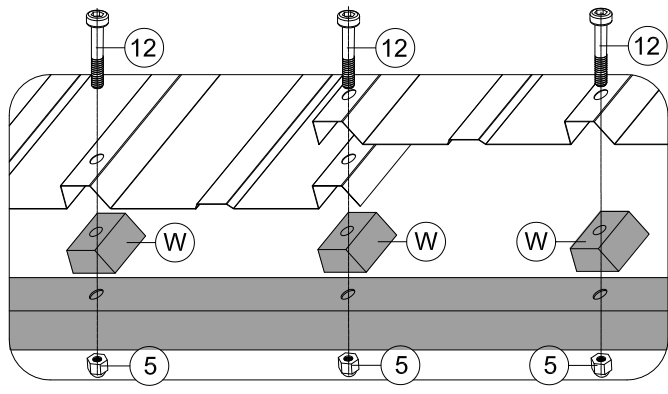
M6x50

(12) 4x



Beam

(3) Place 6 Part #W between roof panels and beams. Then secure with 6 Bolts #10 and 8 Nuts #5.

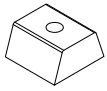


(4) Place 2 Part #W between roof panels and solidifying bars. Then secure with 2 Bolts #12 and 2 Nuts #5.

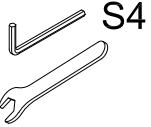
Solidifying Bar

(5) Repeat the above procedures to assemble the opposite side.

ATTENTION: The bigger roof panel need to cover the smaller one.



(W) 20x



(1) 1x



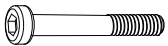
M6

(5) 20x



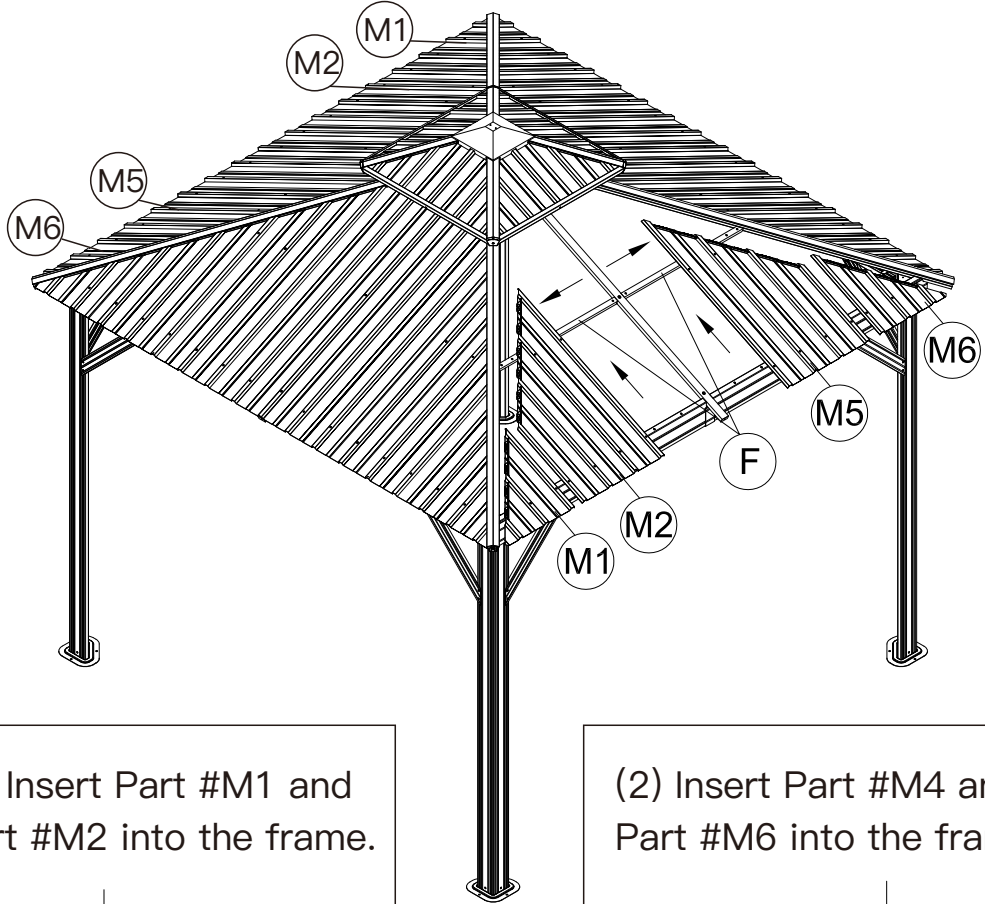
M6x28

(10) 16x

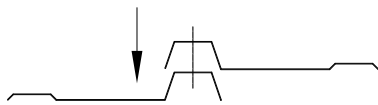


M6x50

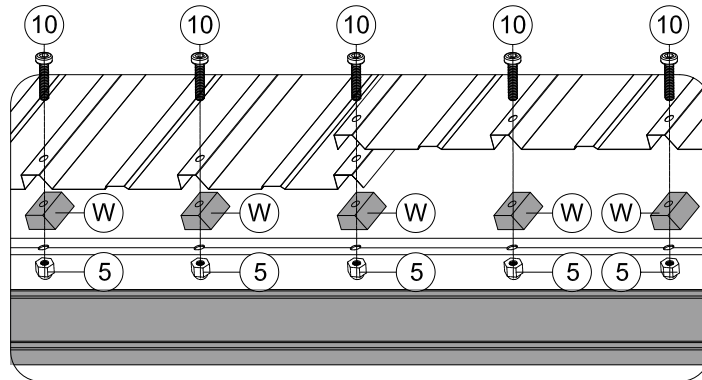
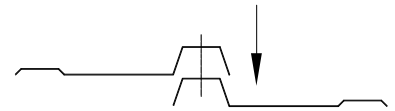
(12) 4x



(1) Insert Part #M1 and Part #M2 into the frame.

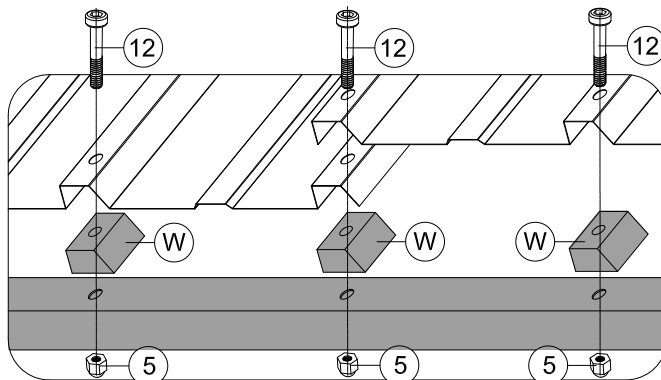


(2) Insert Part #M4 and Part #M6 into the frame.



Beam

(3) Place 8 Part #W between roof panels and beams. Then secure with 8 Bolts #10 and 8 Nuts #5.

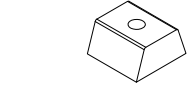
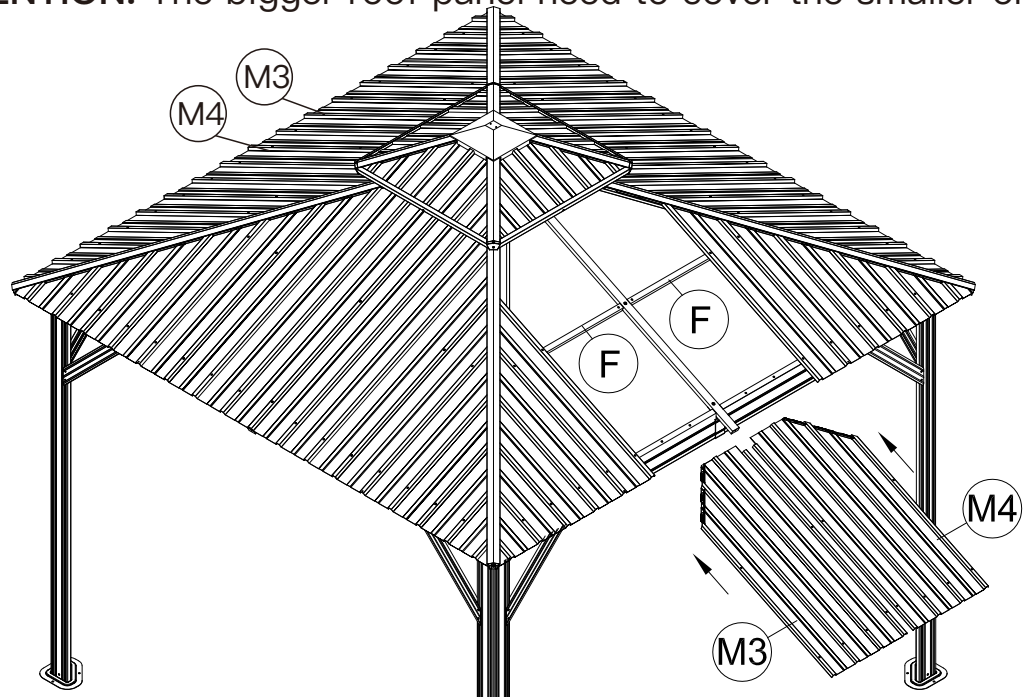


(4) Place 2 Part #W between roof panels and solidifying bars. Then secure with 2 Bolts #12 and 2 Nuts #5.

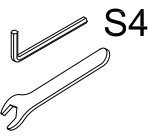
Solidifying Bar

(5) Repeat the above procedures to assemble the opposite side.

ATTENTION: The bigger roof panel need to cover the smaller one.



(W) 16x



(1) 1x



M6

(5) 16x



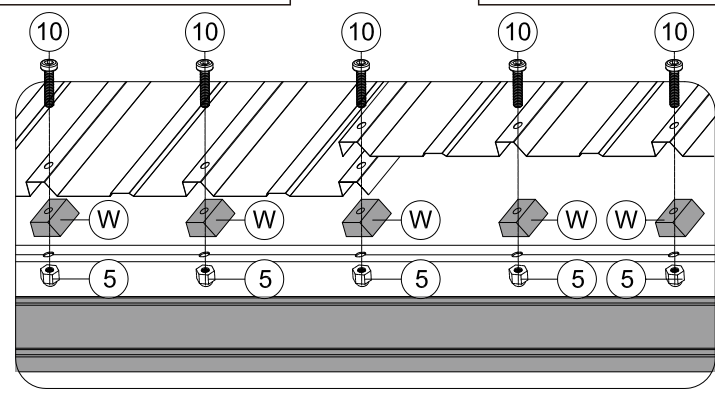
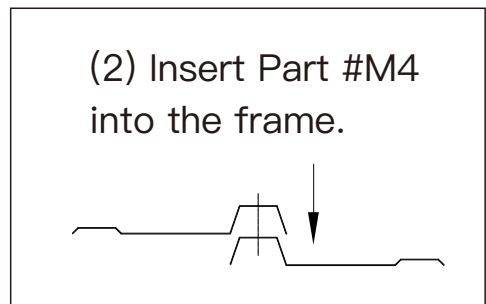
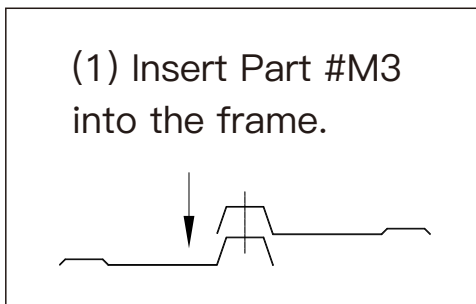
M6x28

(10) 12x



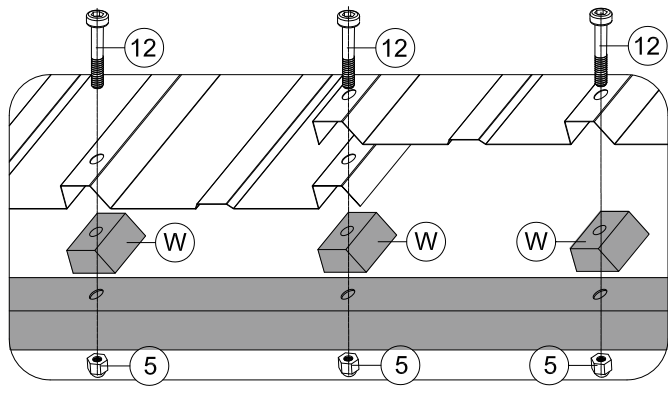
M6x50

(12) 4x



Beam

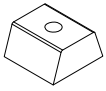
(3) Place 6 Part #W between roof panels and beams. Then secure with 6 Bolts #10 and 6 Nuts #5.



(4) Place 2 Part #W between roof panels and solidifying bars. Then secure with 2 Bolts #12 and 2 Nuts #5.

Solidifying Bar

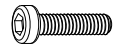
(5) Repeat the above procedures to assemble the opposite side.



W 8x



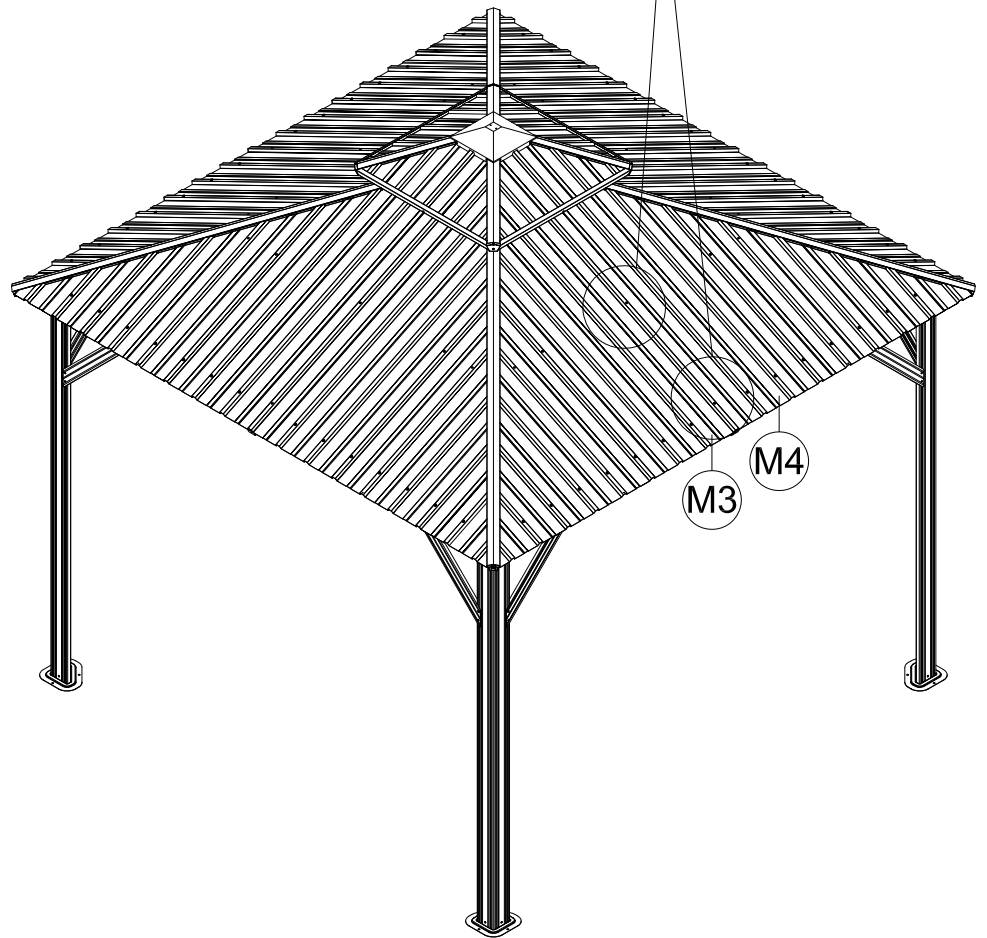
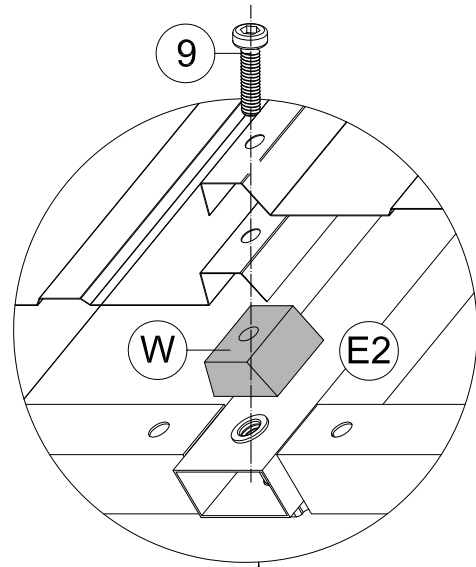
1 1x



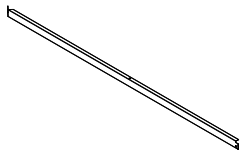
M6x25

9 8x

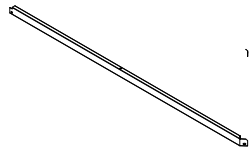
(1) Place Part #W between roof panels and Part #E2. Then secure with Bolt #9 and Nut #5.



(2) Repeat the above procedures to assemble the other 3 sides.



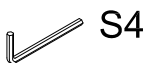
(K) 4x



(K1) 4x



(X2) 4x

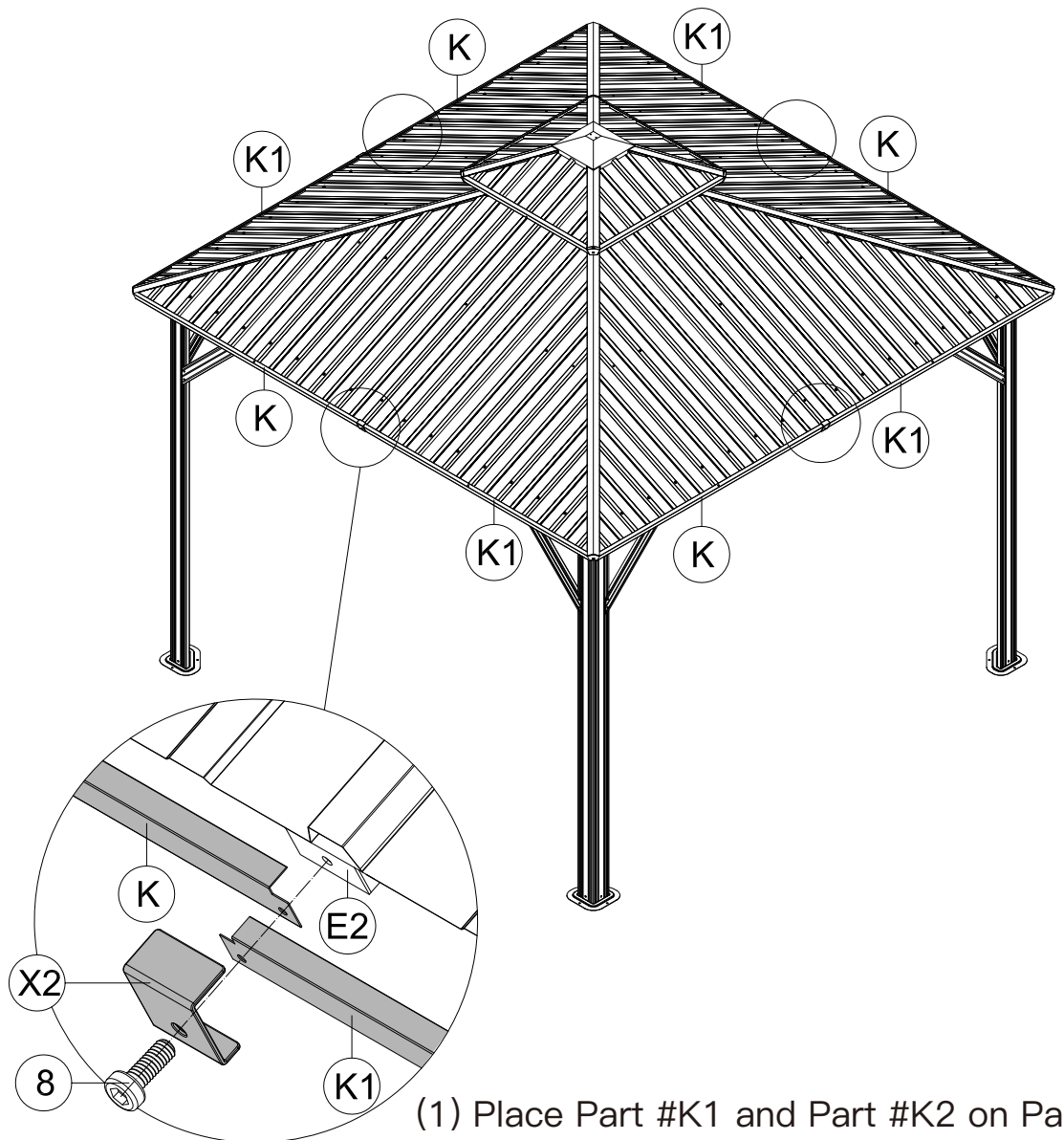


(1) 1x



M6x16

(8) 4x



(1) Place Part #K1 and Part #K2 on Part #E2; Put on Part #X2 and secure with Bolt #8.

(2) Repeat the above procedures for the other 3 sides.

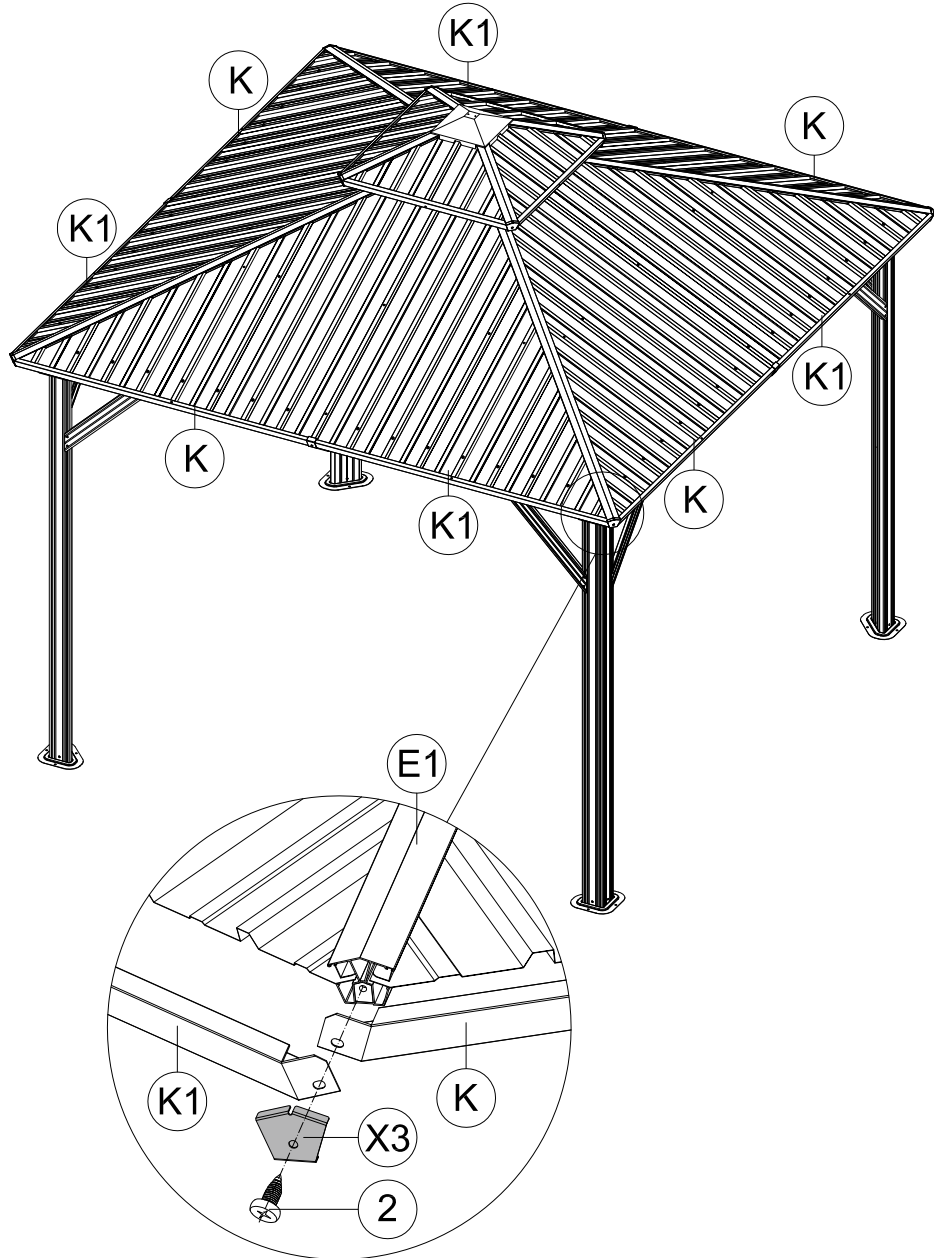


X3 4x



ST6.3x15

2 4x



(1) Place Part #K1 and Part #K on Part #E; Put on Part #X3 and secure with Self-tapping Screw #2.

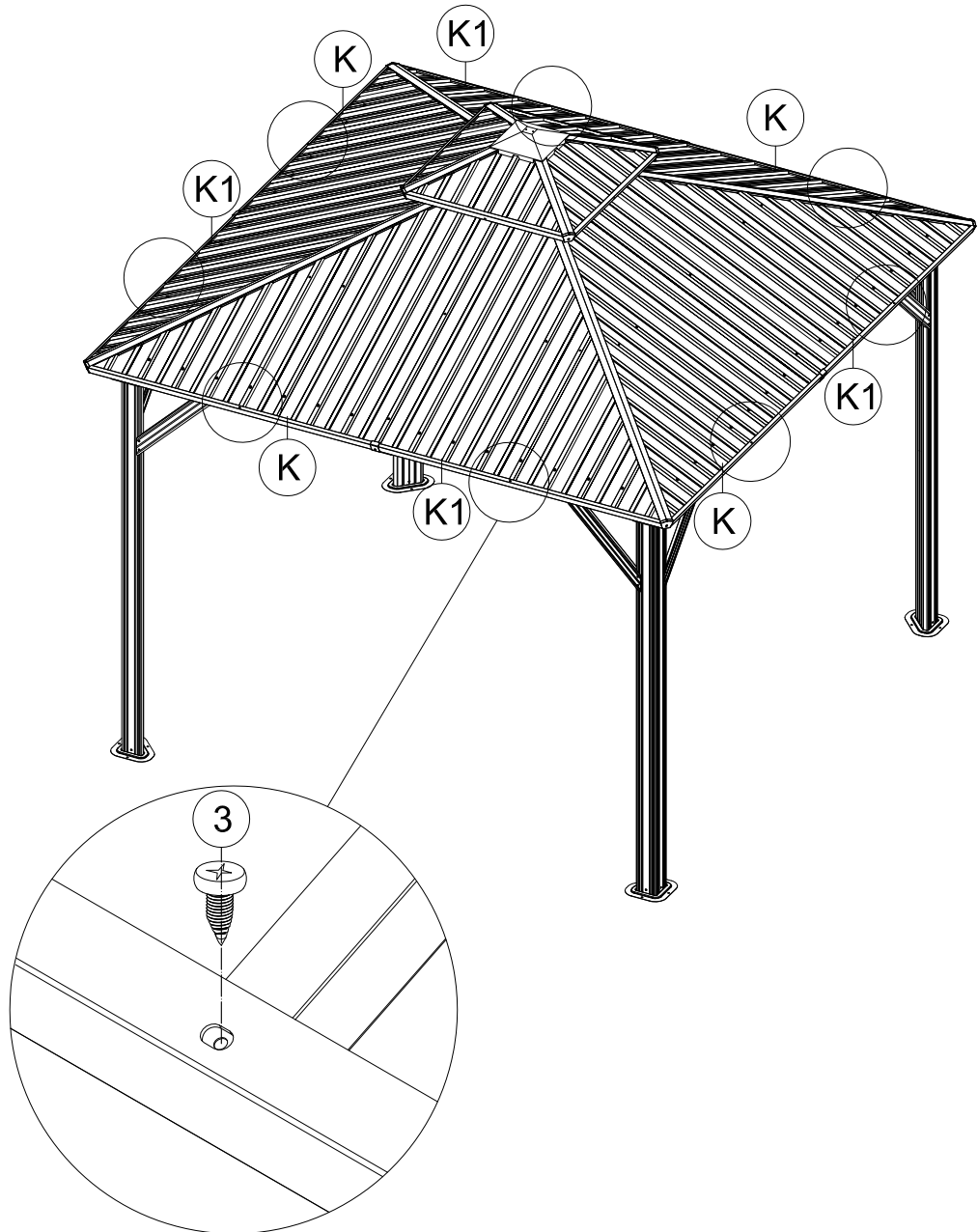
(2) Repeat the above procedures for the other 3 corners.



ST5x16

3

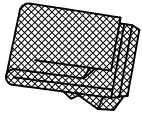
8x



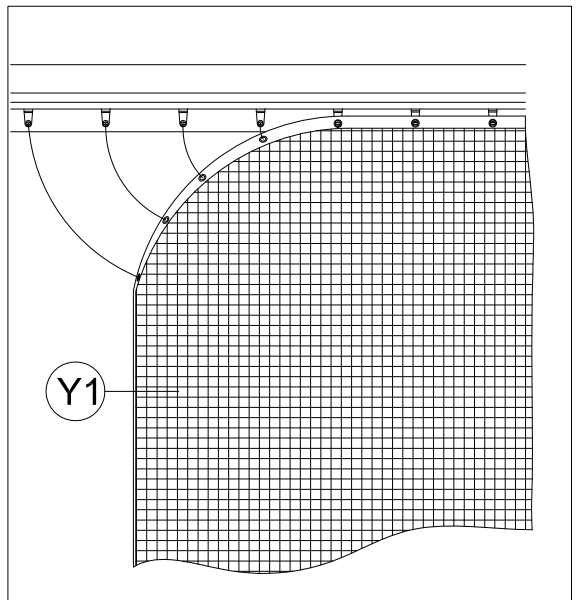
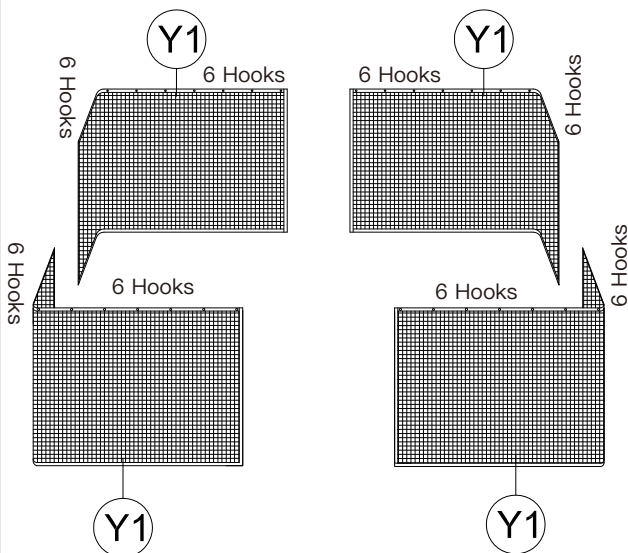
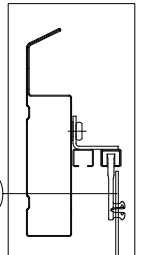
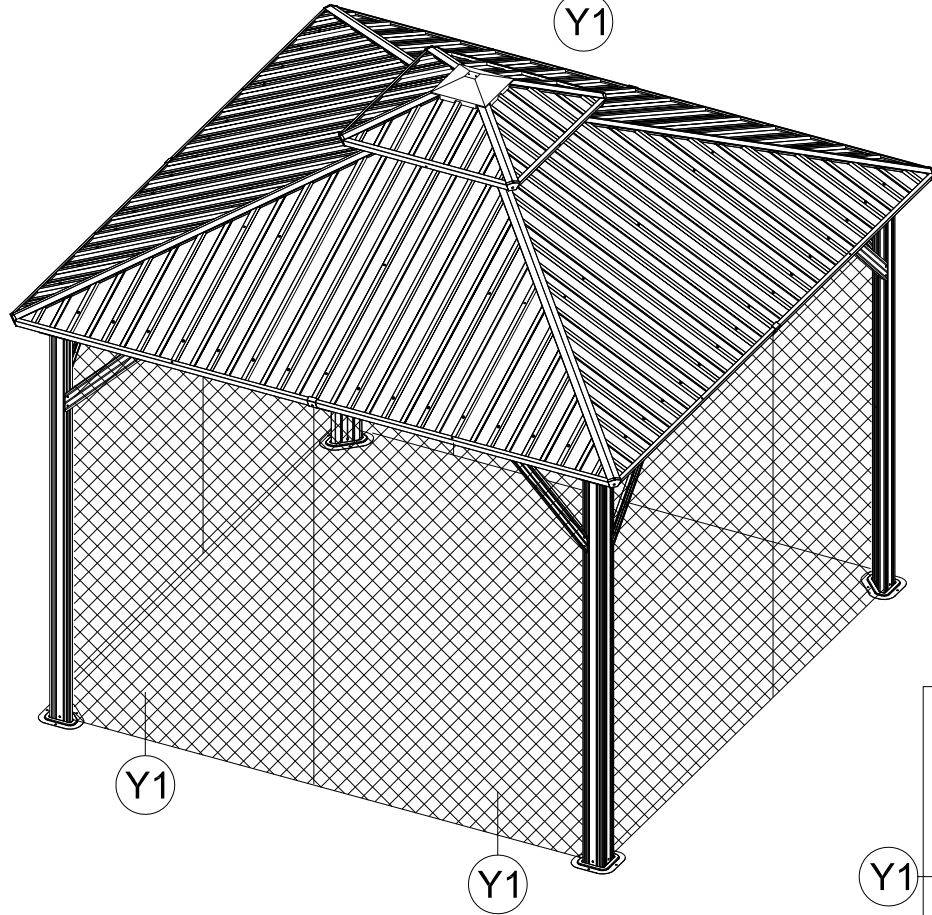
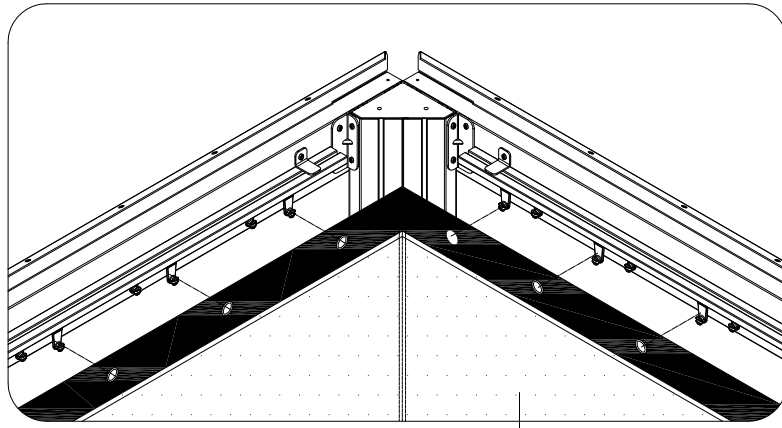
(1) Attach roof panels to finishing bars with 2 Self-tapping Screws #3.

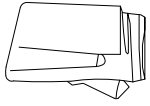
(2) Repeat the above procedures for the other 3 sides.

Hang up Mosquito Sidewalls to **Inside Track**



Y1 4x





Y 4x

Hang up Solid Sidewalls to Outside Track

