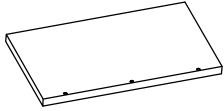


Outdoor Kitchen Shelves

SKU: LTFA5267



parts and components



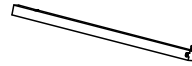
① 1X

Aluminum Worktop



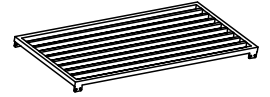
② 2X

Aluminum Legs



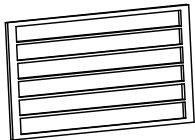
③ 2X

Aluminum Legs



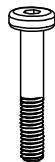
④ 2X

Aluminum Shelf



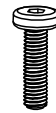
⑤ 1X

Aluminum Shelf



M6X55

⑥ 3X



M6X18

⑦ 26X



D6

⑧ 29X

Stainless Steel Washers



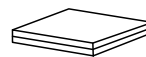
⑨ 1X

Hex-L Key



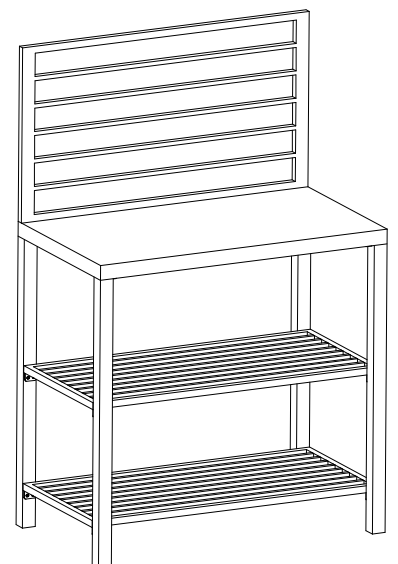
⑩ 1X

Metal Bracket

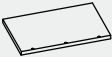


⑪ 1X

Protective Cover

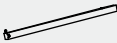


Step 1



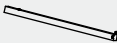
① 1X

Aluminum Worktop



② 2X

Aluminum Legs



③ 2X

Aluminum Legs



M6X18

⑦ 8X



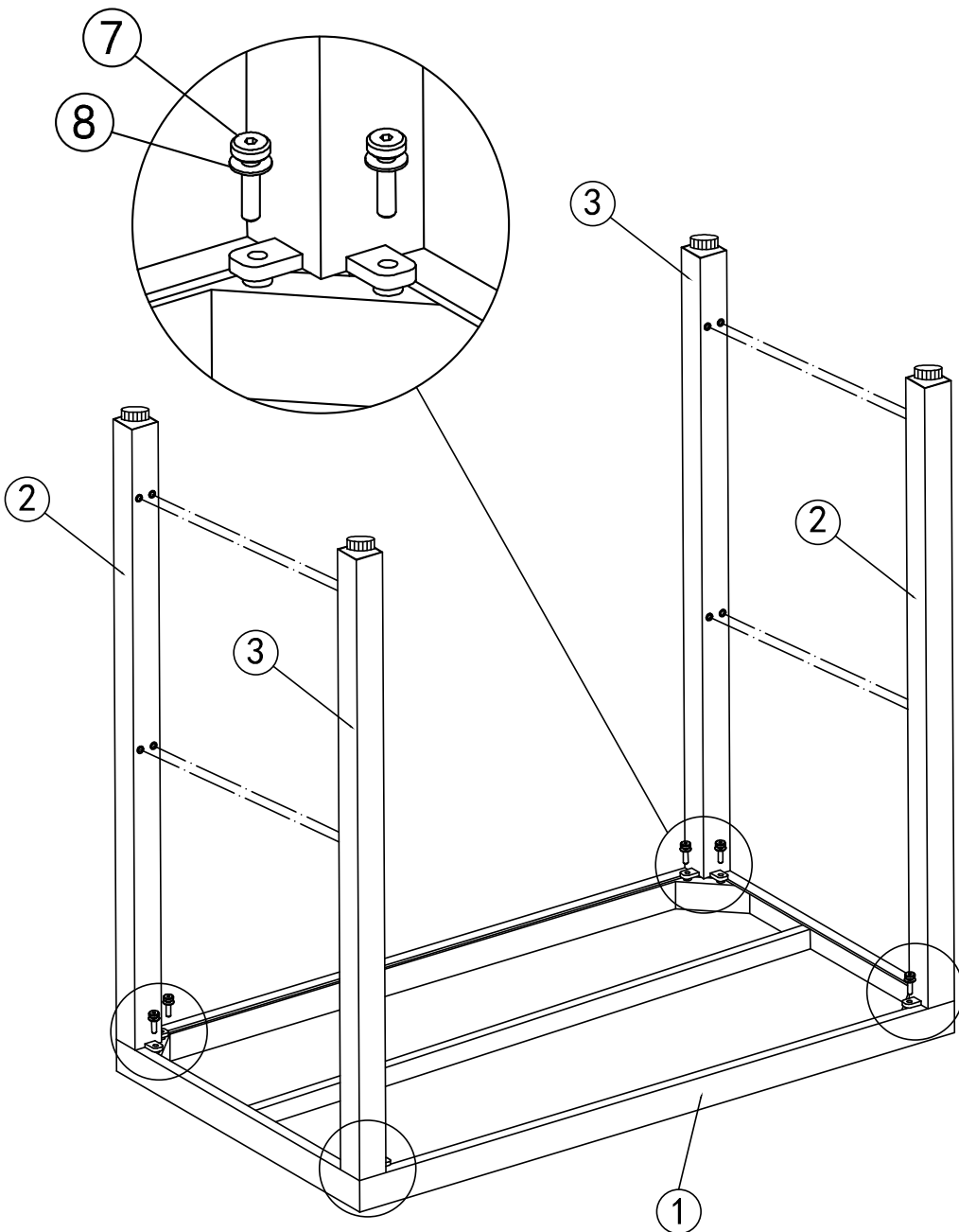
⑧ 8X

Stainless Steel Washers

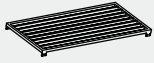


⑨ 1X

Hex-L Key



Step 2



④ 1X

Aluminum Shelf



M6X18

⑦ 8X



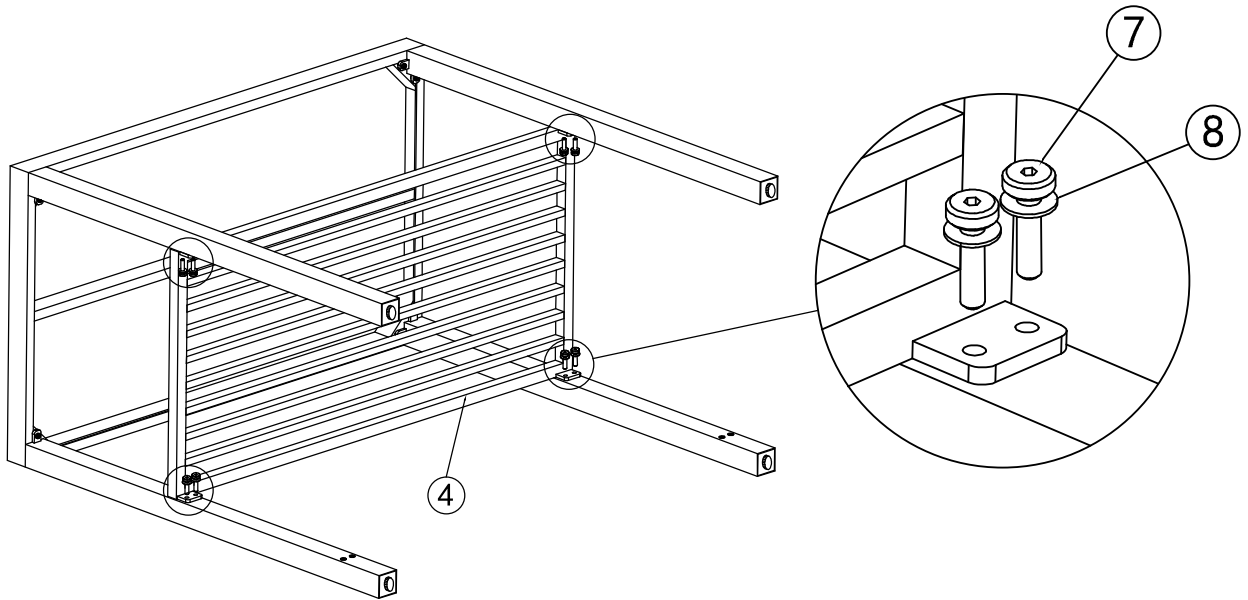
⑧ 8X

Stainless Steel
Washers

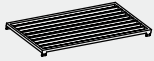


⑨ 1X

Hex-L Key



Step 3



④ 1X

Aluminum Shelf



M6X18

⑦ 8X



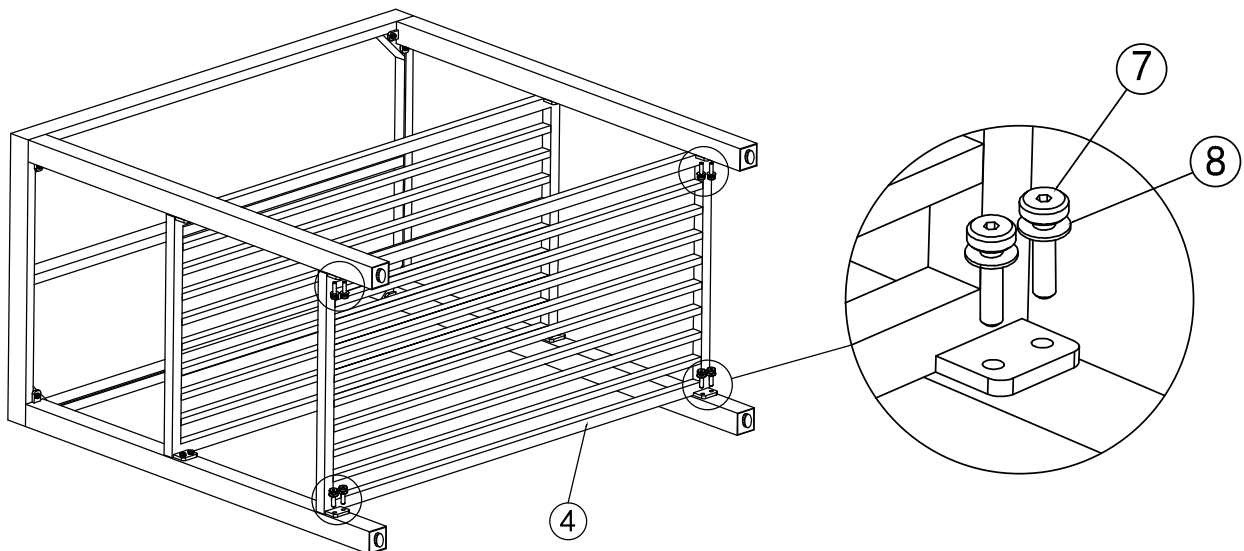
⑧ 8X

Stainless Steel
Washers



⑨ 1X

Hex-L Key



Step 4



⑤ 1X

Aluminum Shelf



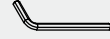
M6x55

⑥ 3X



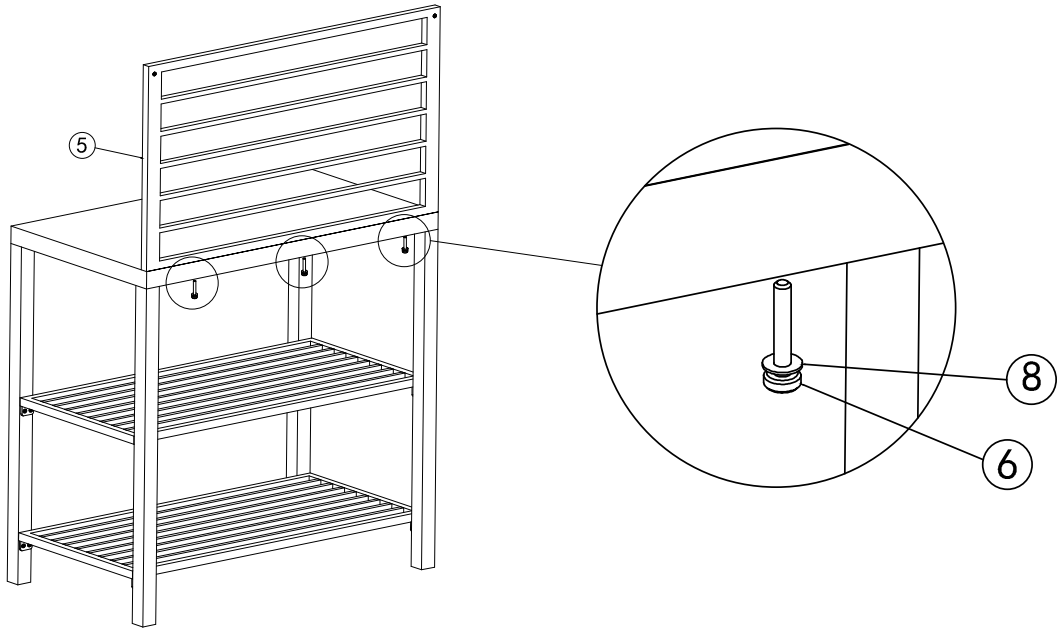
⑧ 3X

Stainless Steel Washers

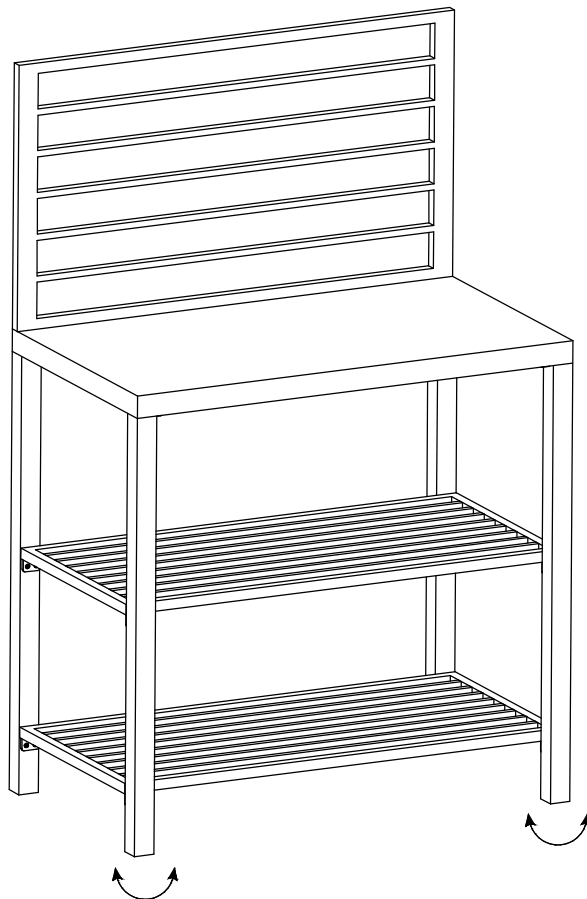


⑨ 1X

Hex-L Key



Step 5



about the outdoor kitchen series

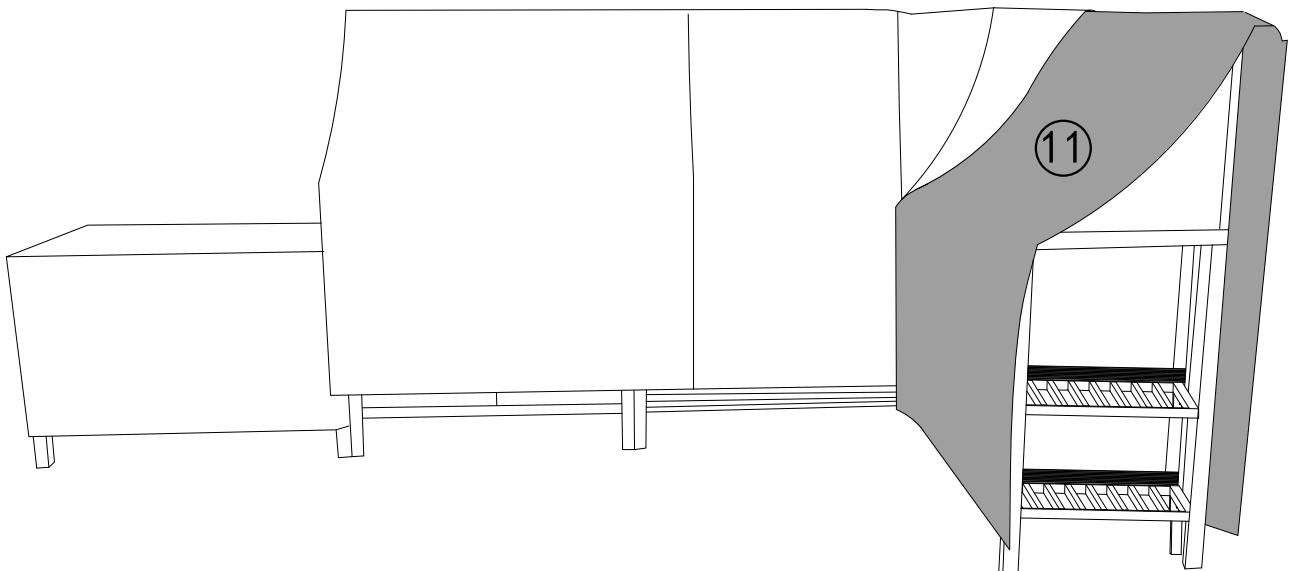
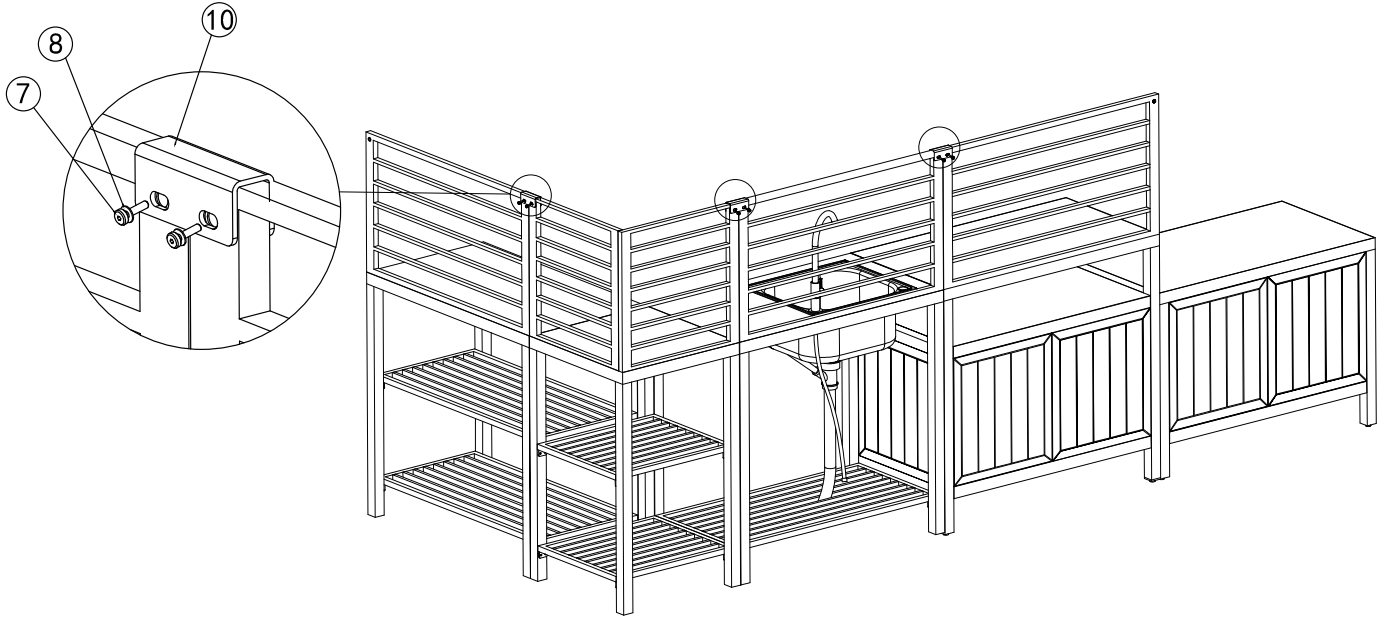
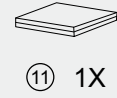
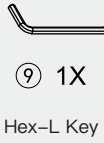
We created the Outdoor Kitchen line because we want everyone to enjoy the outdoors! All outdoor kitchen lines are modular in design, fit together seamlessly and are made of sturdy, durable aluminum countertops for easy connection. Like all domi outdoor products, the Outdoor Kitchen series has stood the test of time and will become a product that consumers trust.



Missing part? Damaged? Contact us via email at service@domioutdoorliving.com

www.domioutdoorliving.com

Series products



about the outdoor kitchen series

We created the Outdoor Kitchen line because we want everyone to enjoy the outdoors! All outdoor kitchen lines are modular in design, fit together seamlessly and are made of sturdy, durable aluminum countertops for easy connection. Like all domi outdoor products, the Outdoor Kitchen series has stood the test of time and will become a product that consumers trust.



Missing part? Damaged? Contact us via email at service@domioutdoorliving.com

www.domioutdoorliving.com
