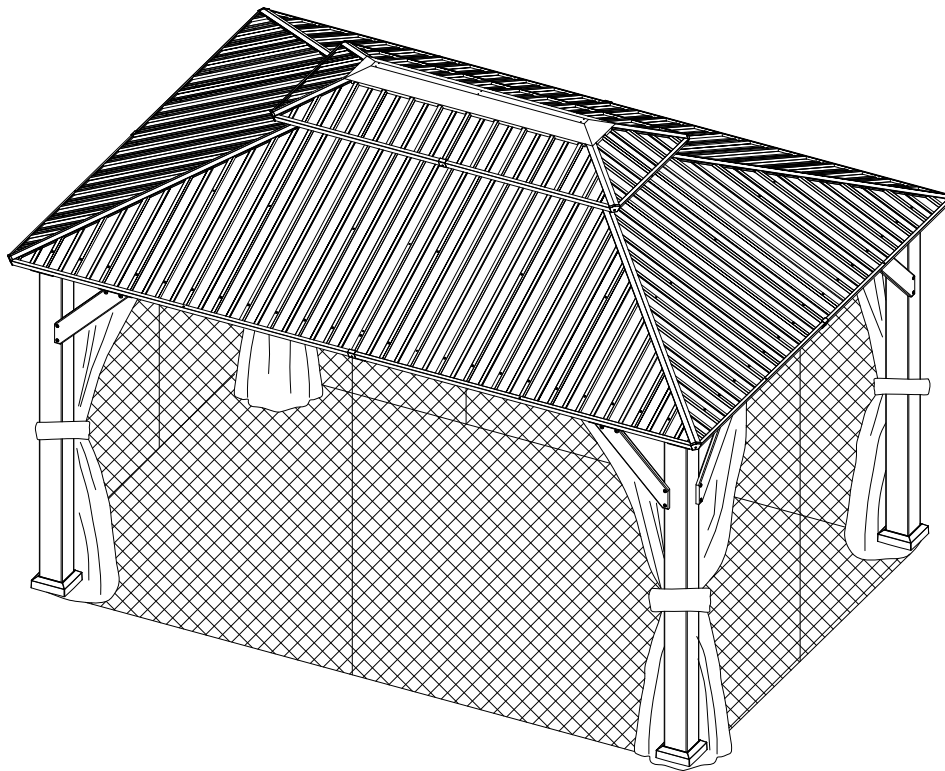


10'x14' Metal Patio Wood Gazebo

ASSEMBLY MANUAL



MODEL#:LGMF1637

Missing part? Damaged? Contact us via email at

service@domioutdoorliving.com

www.domioutdoorliving.com

Pre-assembly



1. Two or more people are required for assembly.



2. You will need one or more stepladders.



3. Wearing protective gloves is recommended.



4. You may need a safety hat.



5. Please use a Phillips screw driver.



6. For ease of construction, you may need a drill.



7. You may need a safety goggle.



8. Do not fully tighten screws prior to complete assembly.

Warning & Attention

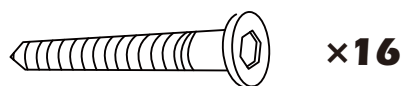
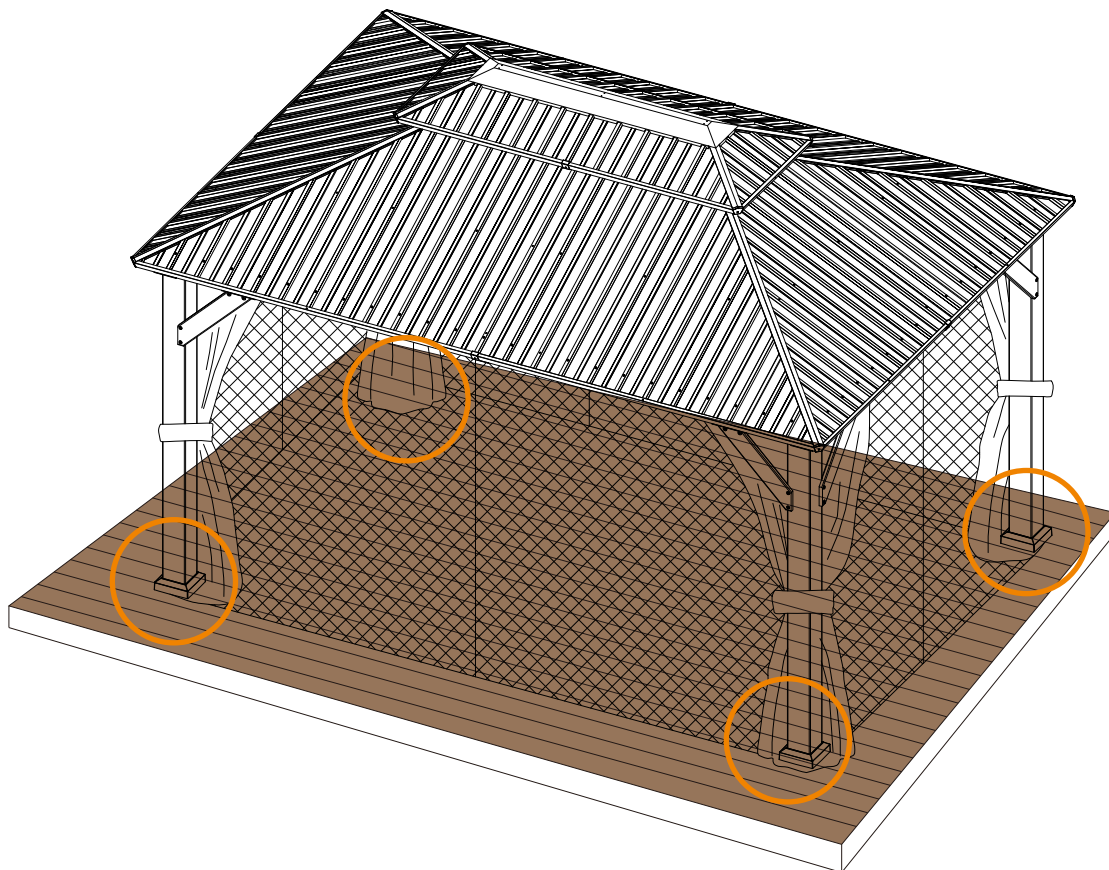
-Try to assemble this product on the flat ground, otherwise it is difficult to carry out;

-It would be much easier to assemble the product with three or more people;

-After assembly, please check whether all screws are tightened, to prevent parts from falling apart.

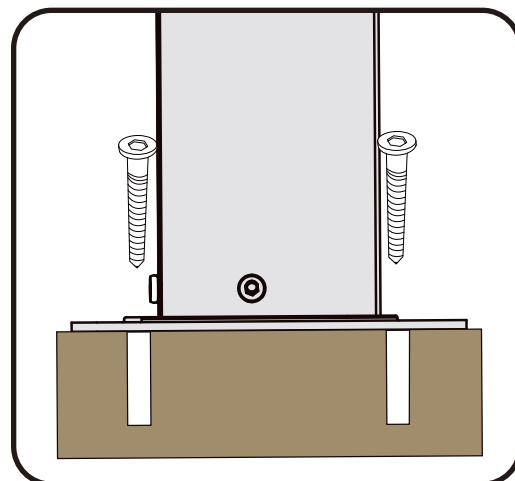
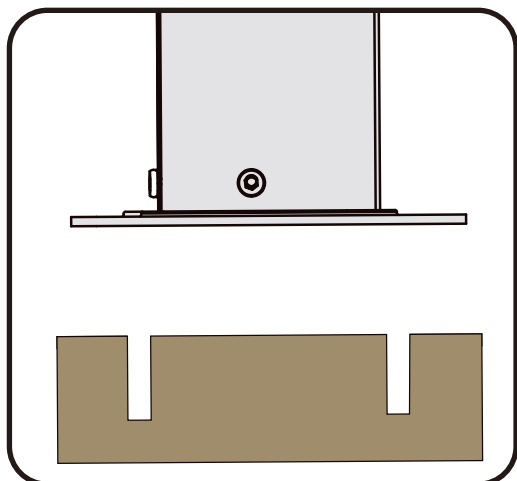
▲ Use bolts to secure the frame to the ground to against the strong wind.

1

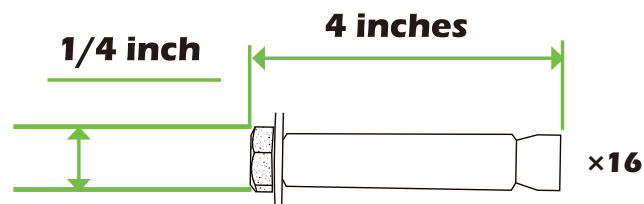
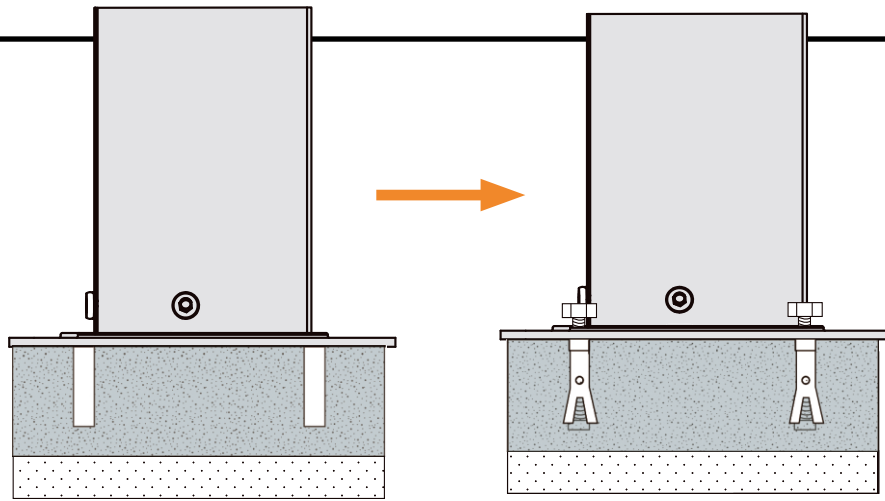


×16

If the deck is hard wood and the depth of it is over 3 inch, you can use **5/16 in. ×4 in. Structural Wood Screw** to mount the gazebo.

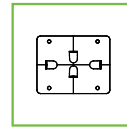
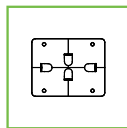
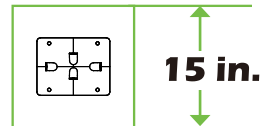
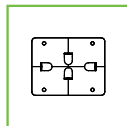


2



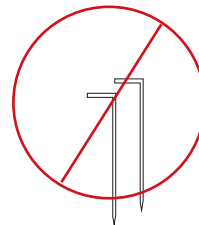
If the ground is concreted and the depth of it is over 3 inch, you can use 1/4 inch expansion bolts to mount the gazebo

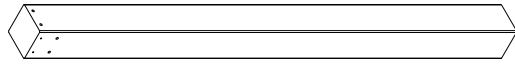
3



Or you can make a concrete footing for gazebo, **15×15×15 inches** is recommended. use expansion bolts to mount the pergola like ② shows.

IMPORTANT:
Anchor is not recommended





A 4x Wood Post



C 2x Beam



C1 2x Beam



D 2x Beam



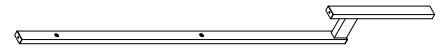
D1 2x Beam



E 4x Corner Roof Bar



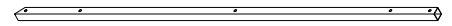
E1 4x Corner Roof Bar Connector



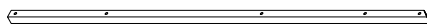
E2 4x Middle Roof Bar



F 4x Solidifying Bar



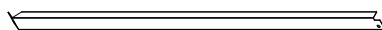
G 2x Solidifying Bar



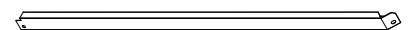
G1 2x Solidifying Bar



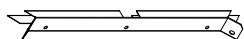
H 2x Finishing Bar



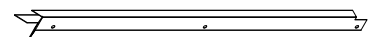
H1 2x Finishing Bar



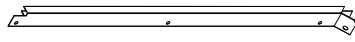
H2 2x Finishing Bar



J 2x Finishing Bar



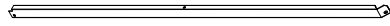
J1 2x Finishing Bar



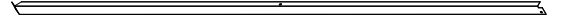
J2 2x Finishing Bar



K 2x Finishing Bar



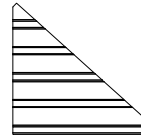
K1 2x Finishing Bar



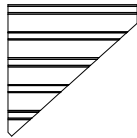
K2 2x Finishing Bar



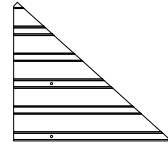
K3 2x Finishing Bar



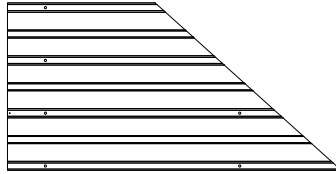
L1 2x Roof Panel



L2 2x Roof Panel



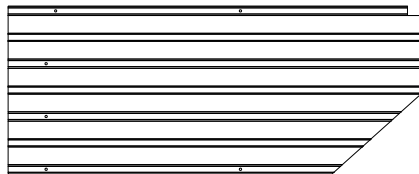
M1 2x Roof Panel



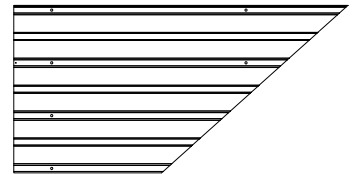
M2 2x Roof Panel



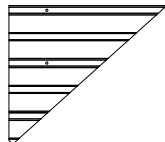
M3 2x Roof Panel



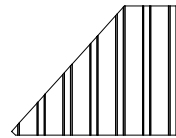
M4 2x Roof Panel



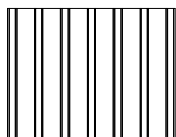
M5 2x Roof Panel



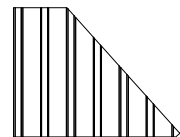
M6 2x Roof Panel



N1 2x Roof Panel



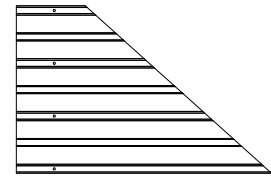
N2 4x Roof Panel



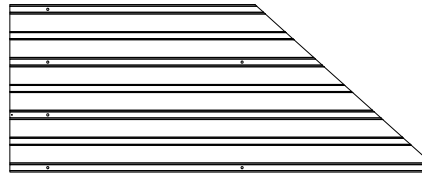
N3 2x Roof Panel



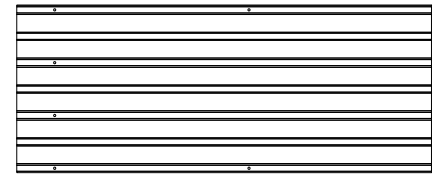
P1 2x Roof Panel



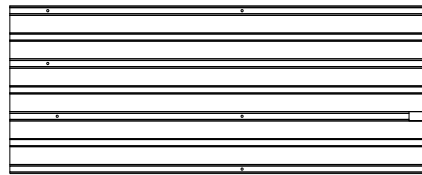
P2 2x Roof Panel



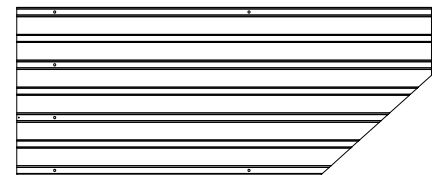
P3 2x Roof Panel



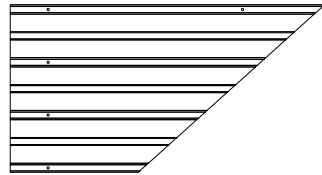
P4 4x Roof Panel



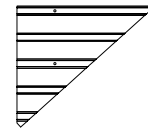
P5 2x Roof Panel



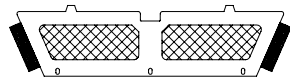
P6 2x Roof Panel



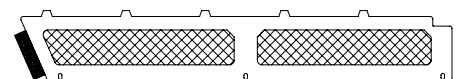
P7 2x Roof Panel



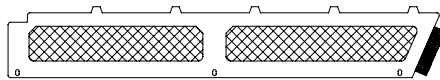
P8 2x Roof Panel



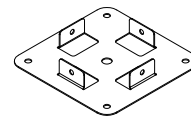
Q 2x Net Frame



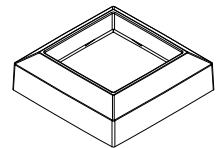
Q1 2x Net Frame



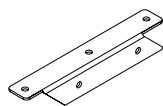
Q2 2x Net Frame



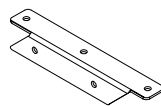
B 4x Base



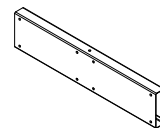
B1 4x Base Cover



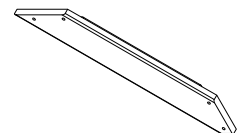
B2 4x Bracket



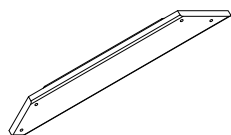
B3 4x Bracket



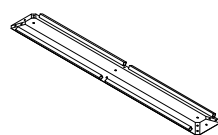
C2 4x Joint Bar



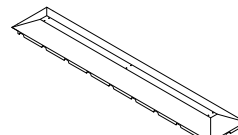
R 4x Corner Solidifying Bar



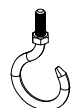
R1 4x Corner Solidifying Bar




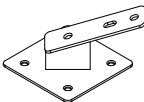
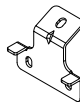
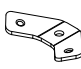
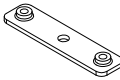

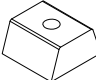
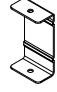
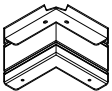
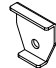

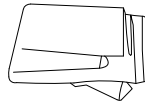
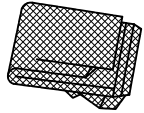

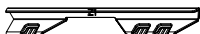



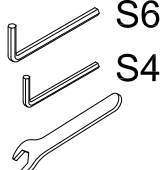


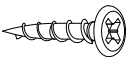




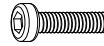

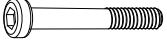

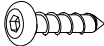

S 1x Inside Roof Cover



S1 1x Outside Roof Cover



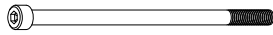
T 3x J-Hook

	 <p>T1 4x Joint Cover</p>	 <p>U 4x Bracket</p>	 <p>U1 4x Bracket</p>	 <p>U2 4x Bracket</p>
	 <p>U3 4x Bracket</p>	 <p>V 112x Plastic Hook</p>	 <p>W 100x Spacer</p>	 <p>X 4x Joint Cover</p>
	 <p>X1 4x Corner Cover</p>	 <p>X2 6x Finishing End</p>	 <p>X3 12x Finishing End</p>	 <p>Y 4x Curtain</p>
	 <p>Y1 4x Mosquito Netting</p>	 <p>Z 60x Plastic Bracket</p>	 <p>Z1 4x Plastic Bracket</p>	 <p>Z2 4x Plastic Bracket</p>
	 <p>Z3 2x Plastic Bracket</p>	 <p>Z4 2x Plastic Bracket</p>	 <p>S6 S4 1 1x Wrench</p>	 <p>ST6.3x15 2 12x</p>
	 <p>ST5x16 3 24x</p>	 <p>ST5x30 4 16x</p>	 <p>M6 5 120x</p>	 <p>M6x38 6 16x</p>
	 <p>M6x10 7 20x</p>	 <p>M6x16 8 124x</p>	 <p>M6x25 9 8x</p>	 <p>M6x28 10 72x</p>
	 <p>M6x50 12 20x</p>	 <p>ST6. 3X35 13 32x</p>	 <p>ST8X30 14 16x</p>	 <p>D6. 6*2 15 16x</p>
5				



M3x65

16 1x Drill



M8X160

17 16x

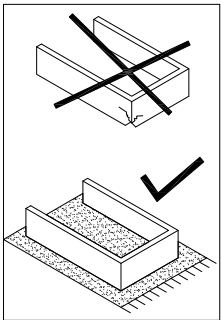


M8

18 16x



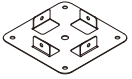
19 16x Plastic Cap



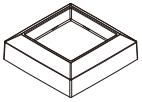
6



A 4x



B 4x



B1 4x



ST6. 3X35

13 16x

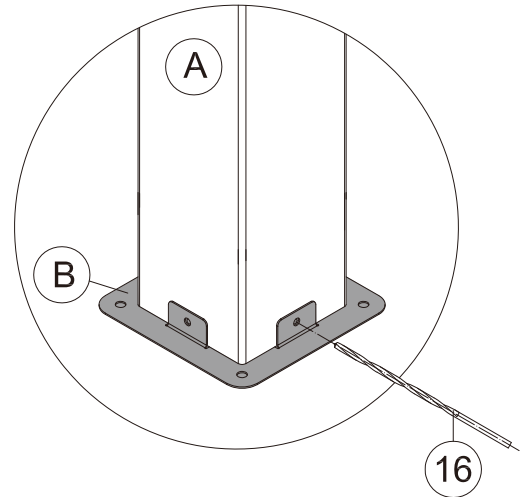
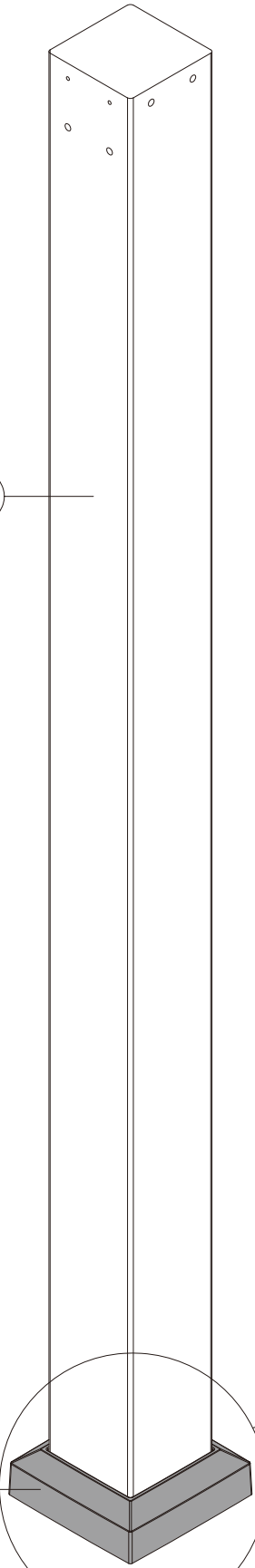


M3x65

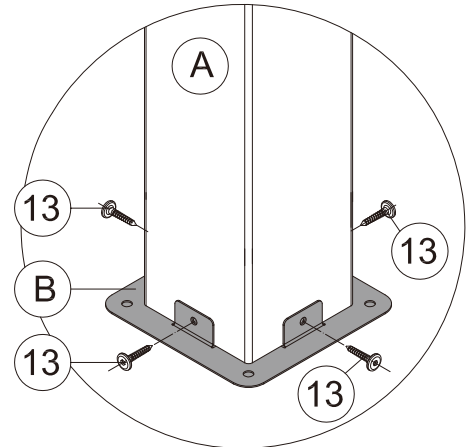
16 1x

X4

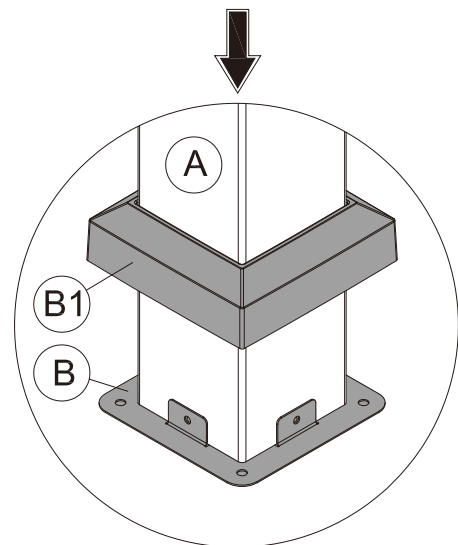
B1



(1) Put Part #B on the bottom of Part #A, after adjusting the position, use Drill #16 to drill holes at the holes in Part #B.

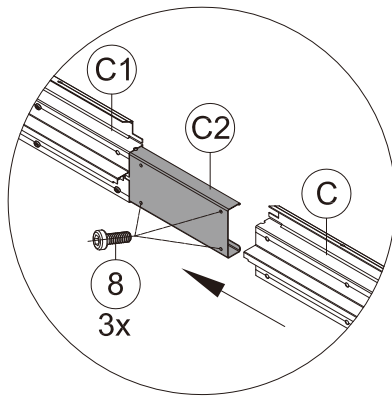
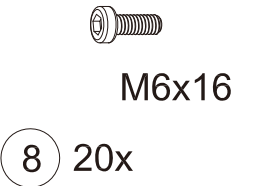
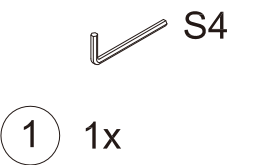
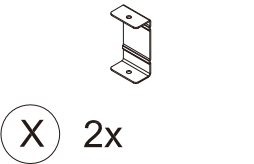
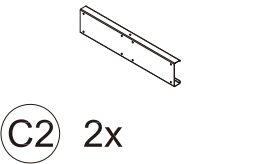
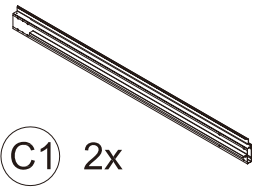
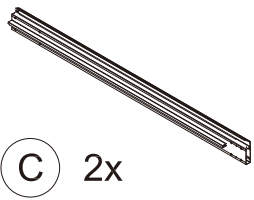


(2) Secure Part #B and Part #A with 4 Bolts #13.

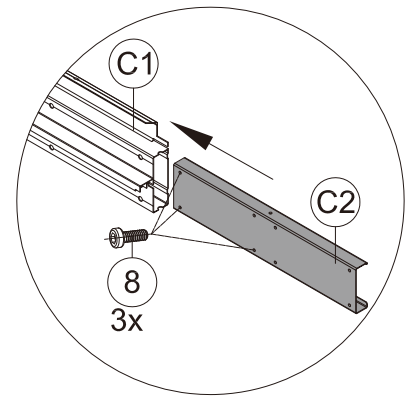


(3) Cover Part #B1 on Part #B.

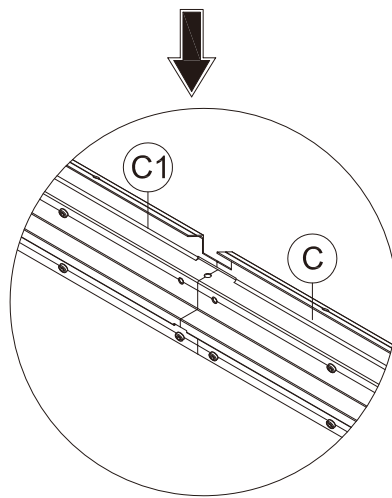
(4) Repeat the above procedures to assemble the other 3 Part #A.



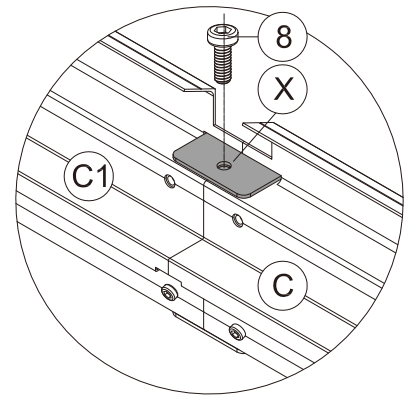
(2) Insert the other side of Part #C2 into Part #C and secure with 3 Bolts #8.



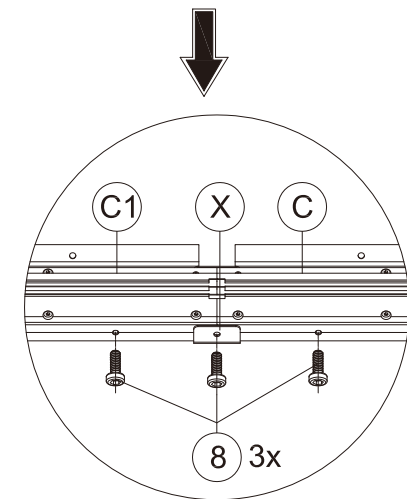
(1) Insert Part #C2 into Part #C1 and secure with 3 Bolts #8.



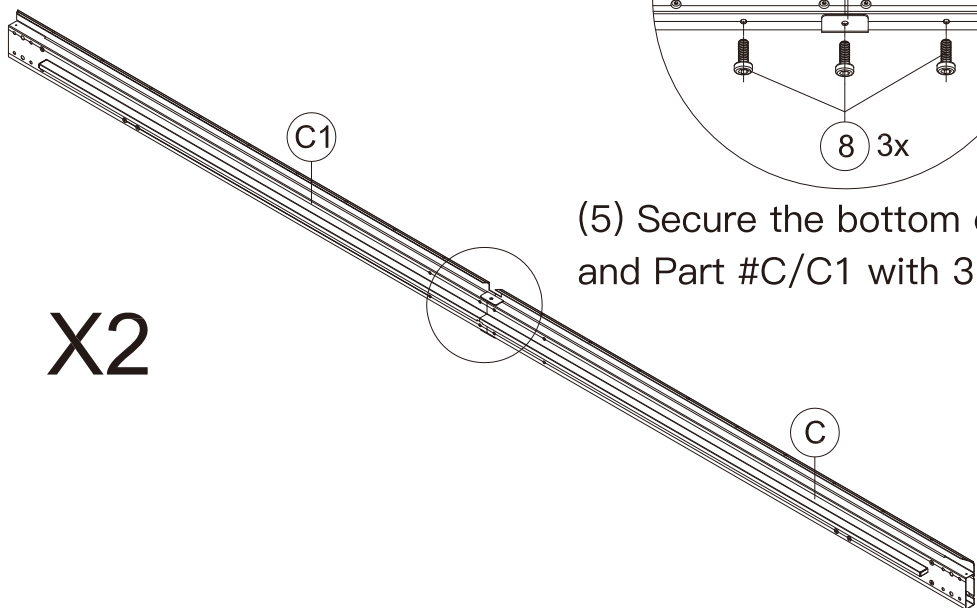
(3) Connect Part #C1 and Part #C through Part #C2.



(4) Insert Part #X into the beam and secure with 1 Bolt #8.

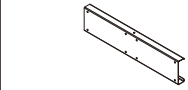


(5) Secure the bottom of Part #X and Part #C/C1 with 3 Bolts #8.



(6) Repeat the above procedures to assemble the other Part #C and Part #C1.

8



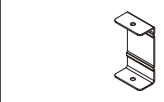
C2 2x



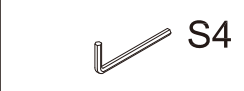
D 2x



D1 2x



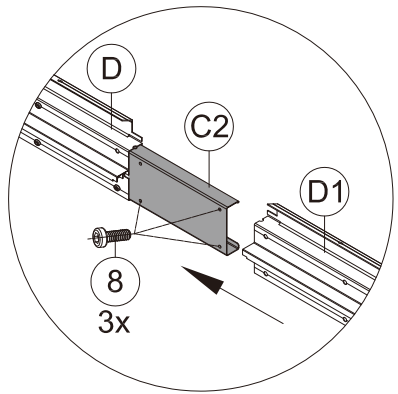
X 2x



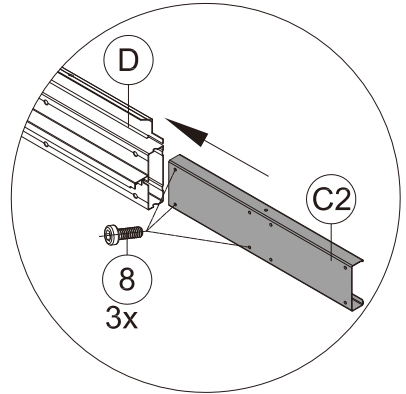
1 1x



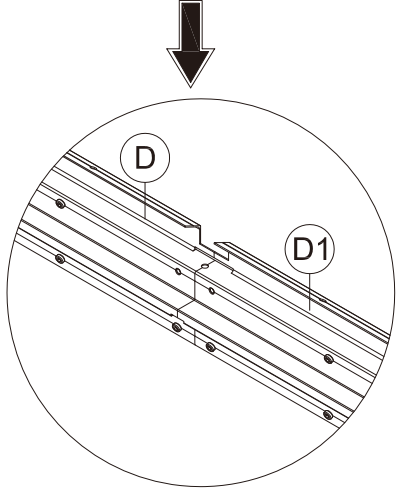
8 20x
M6x16



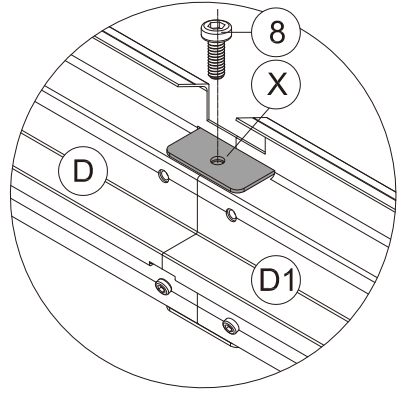
(2) Insert the other side of Part #C2 into Part #D1 and secure with 3 Bolts #8.



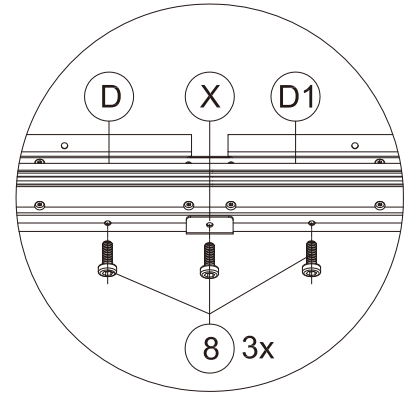
(1) Insert Part #C2 into Part #D and secure with 3 Bolts #8.



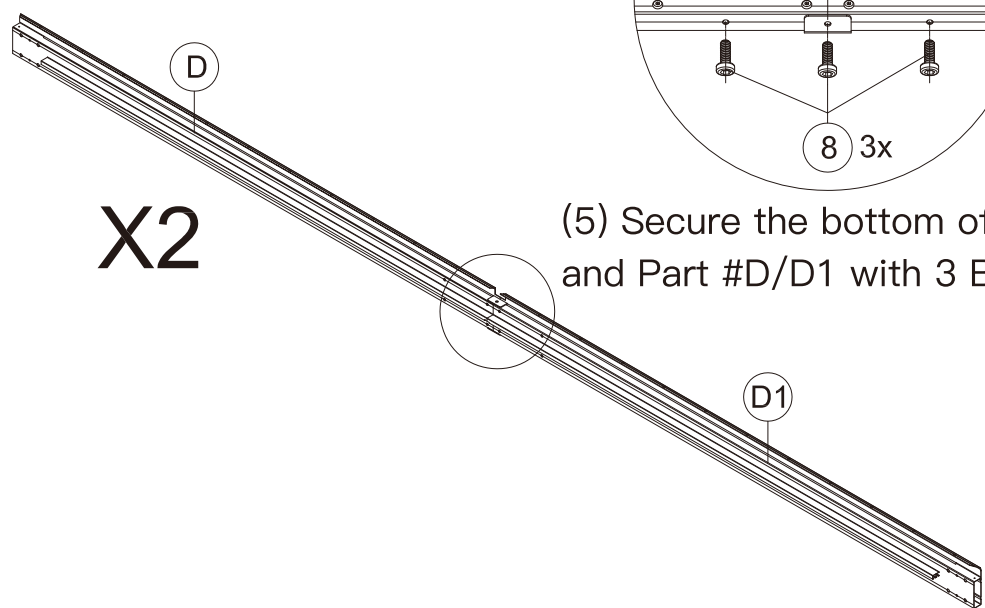
(3) Connect Part #D and Part #D1 through Part #C2.



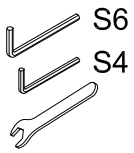
(4) Insert Part #X into the beam and secure with 1 Bolt #8.



(5) Secure the bottom of Part #X and Part #D/D1 with 3 Bolts #8.



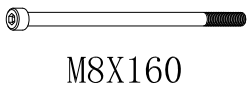
(6) Repeat the above procedures to assemble the other Part #D and Part #D1.



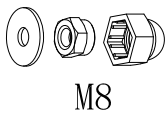
1 1x



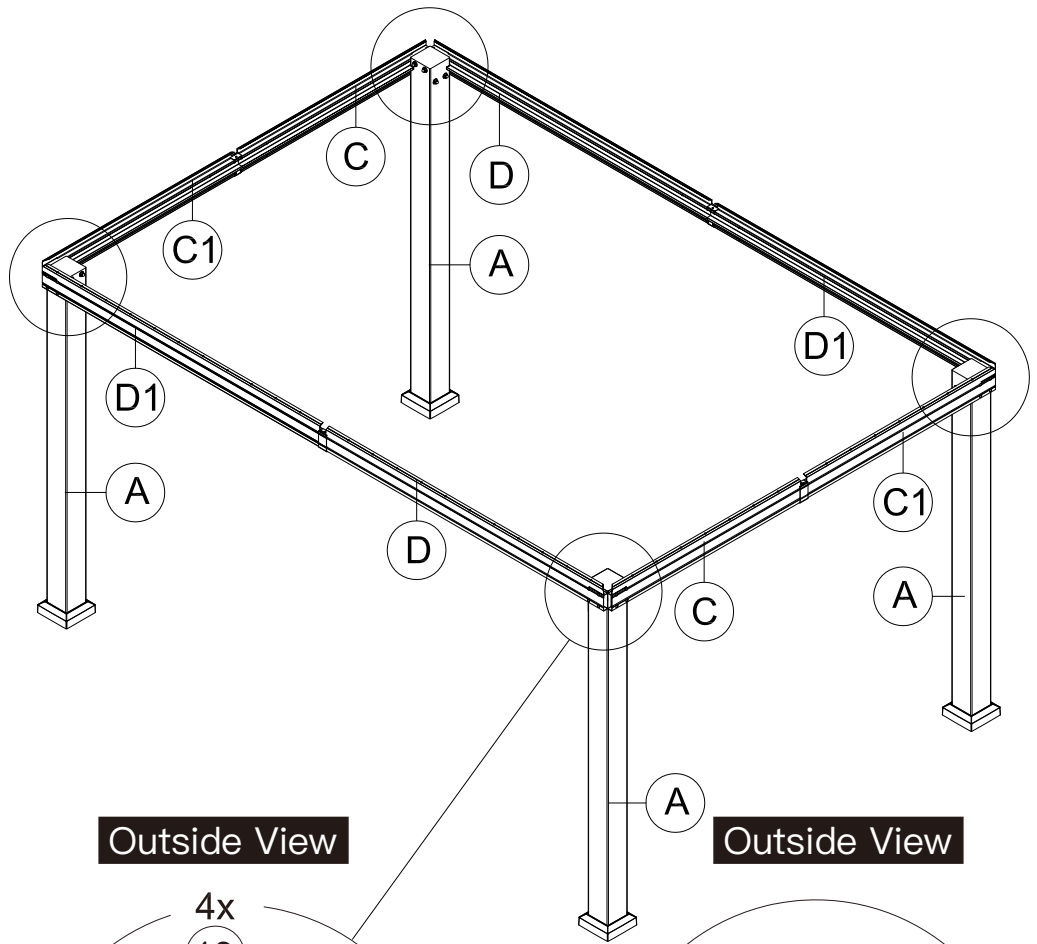
14 16x



17 16x

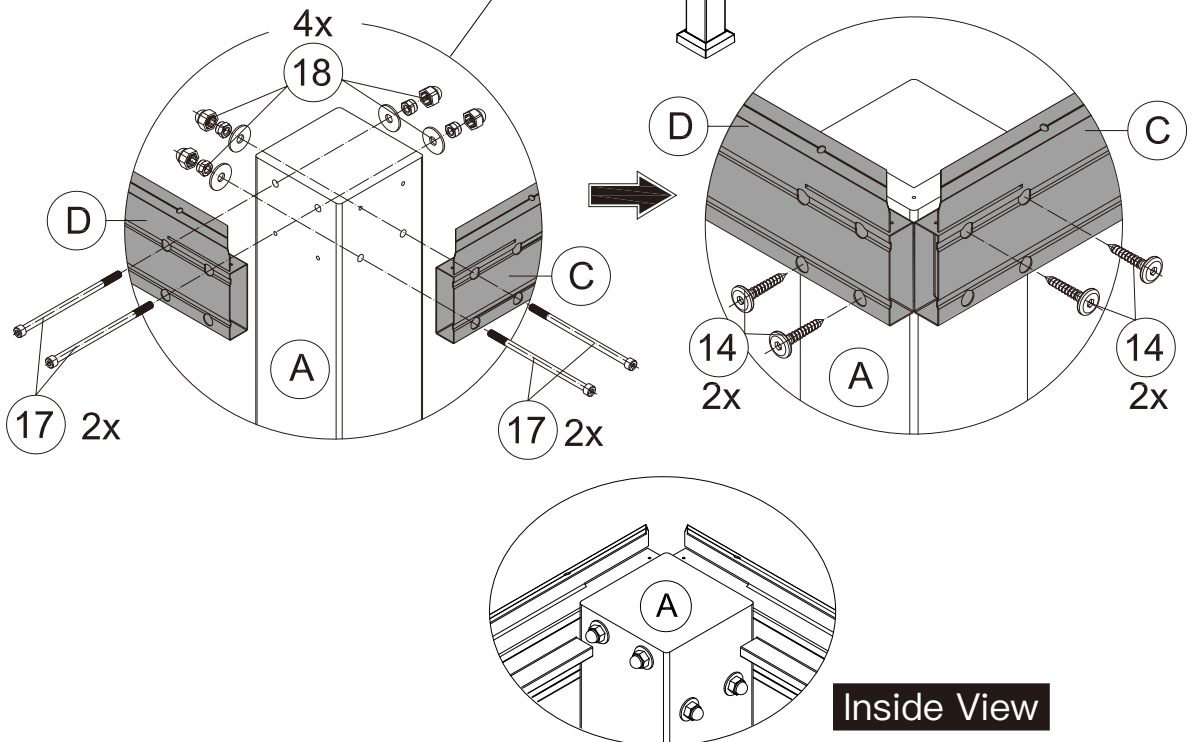


18 16x



Outside View

Outside View



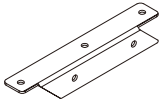
Inside View

(1) Connect Part #D to Part #A with 2 Bolts #17, and fix from the other side with 2 gaskets and nuts #18. **(The first row of screw holes)**

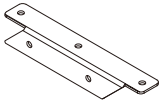
(2) Connect Part #C to Part #A with 2 Bolts #17, and fix from the other side with 2 gaskets and nuts #18. **(The second row of screw holes)**

(3) Secure Part #D & #C with 4 Bolts #14 as shown.

(4) Repeat the above procedures to assemble the other 3 corners.



B2 4x



B3 4x

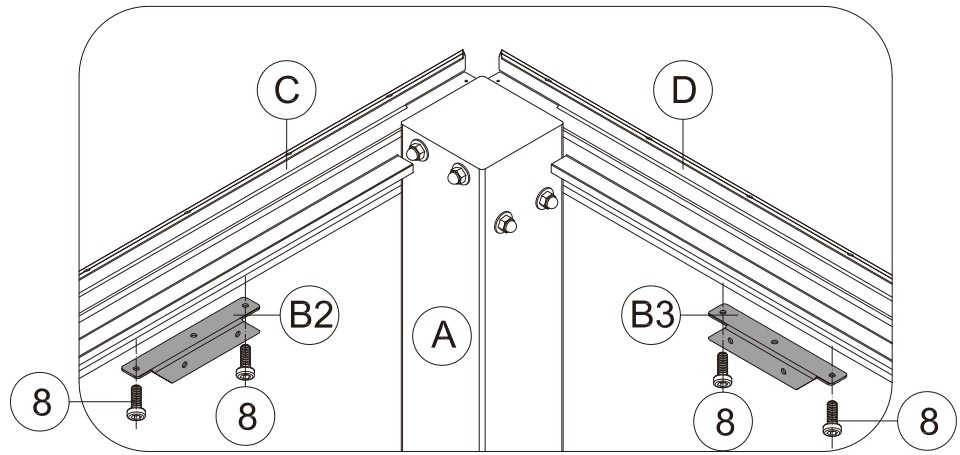


1 1x

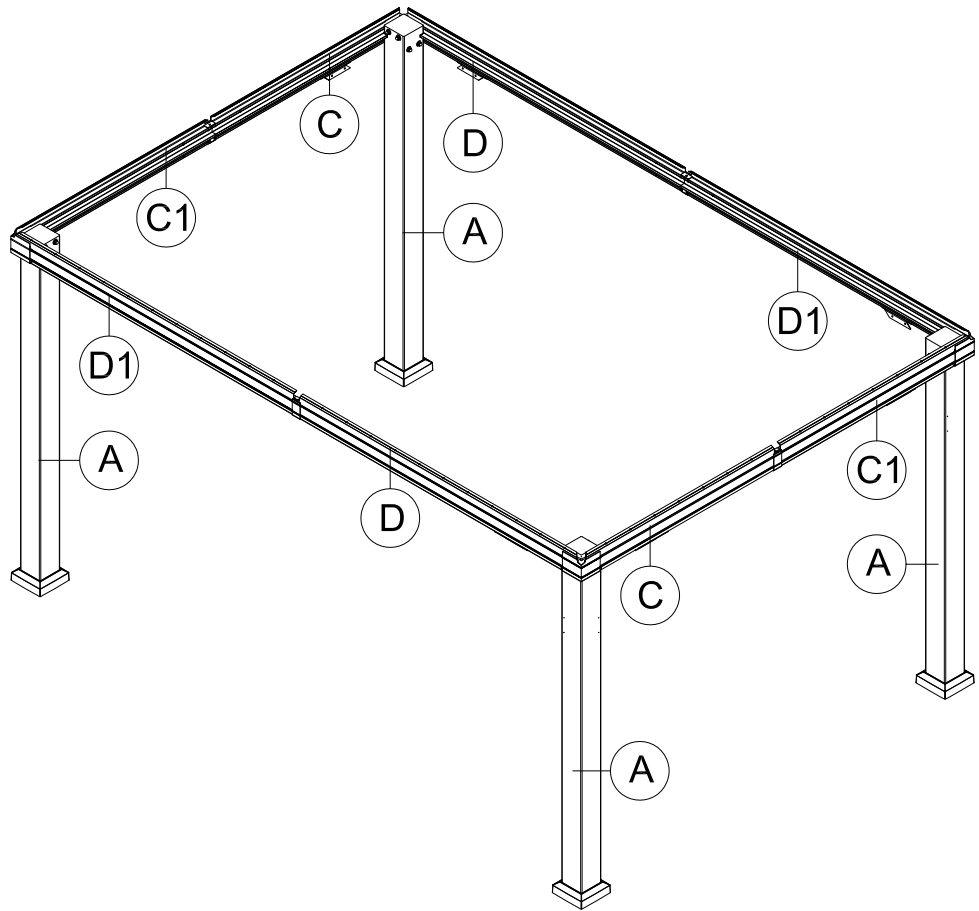


M6x16

8 16x

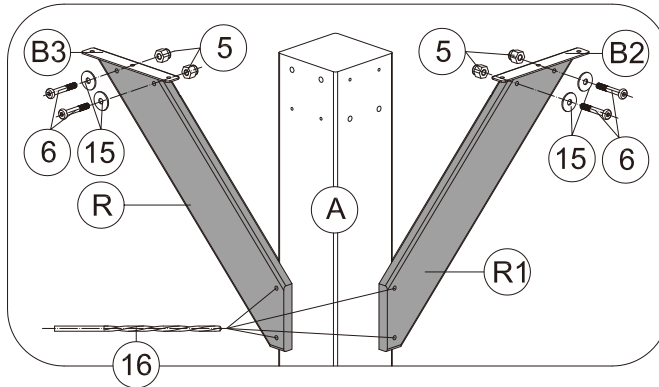
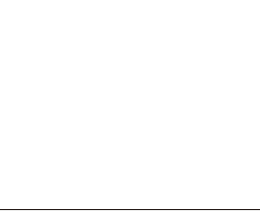
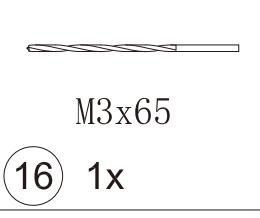
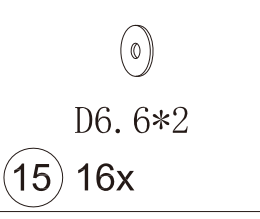
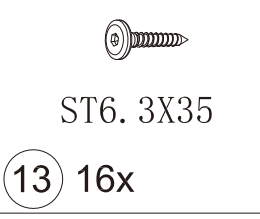
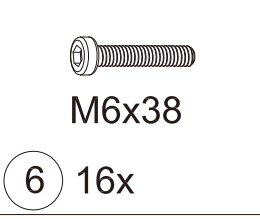
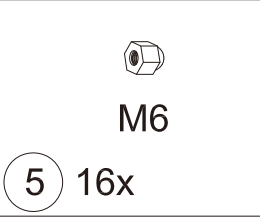
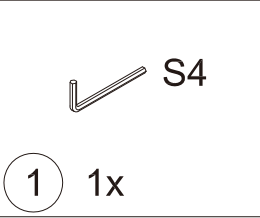
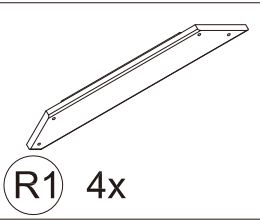
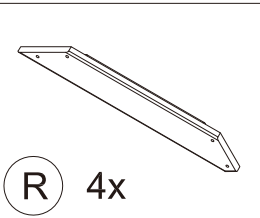


(1) Affix Part #B2 and Part #B3 to the Beam with 4 Bolts #8.



(2) Repeat the above procedures to assemble the other 3 corners.

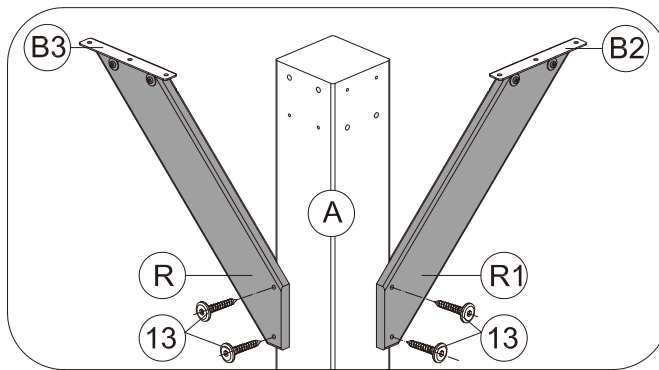
⚠ Please don't tighten all bolts.



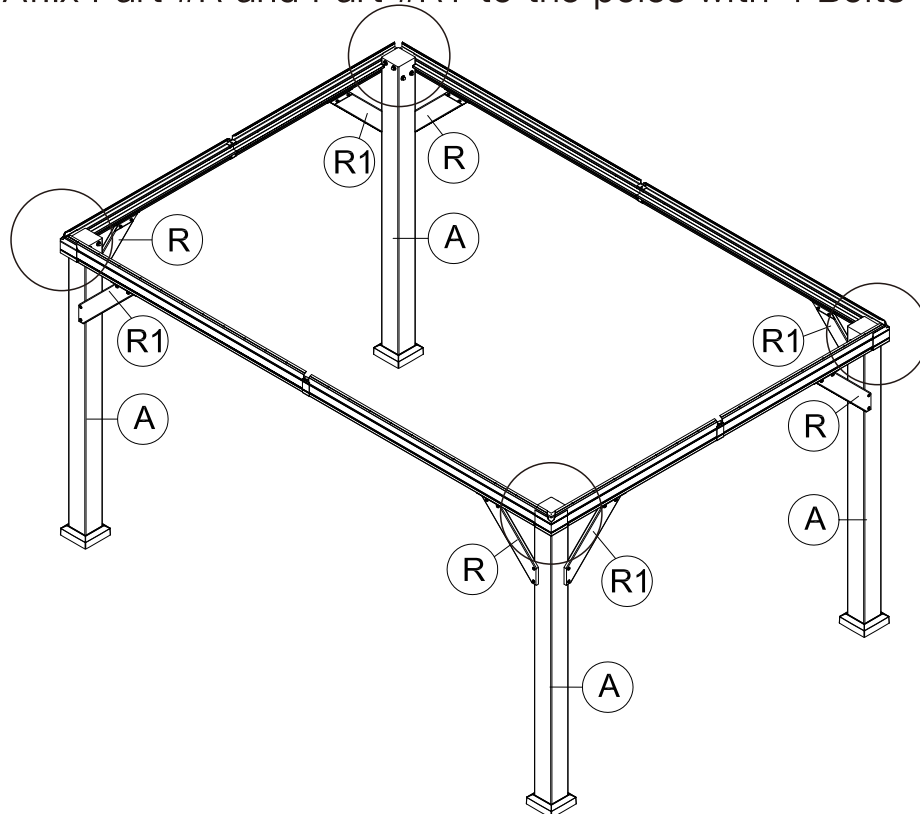
(1) Affix Part #R to Part #B3 with 2 Bolts #6, 2 Washers #15 and 2 Nuts #5.

(2) Affix Part #R1 to Part #B2 with 2 Bolts #6, 2 Washers #15 and 2 Nuts #5.

Outside View



!(3) Use Drill #16 to drill holes in the holes reserved for Part #R/#R1.
 (4) Affix Part #R and Part #R1 to the poles with 4 Bolts #13.



(5) Repeat the above procedures to assemble the other 3 corners.

! Tighten all the bolts.



X1 4x

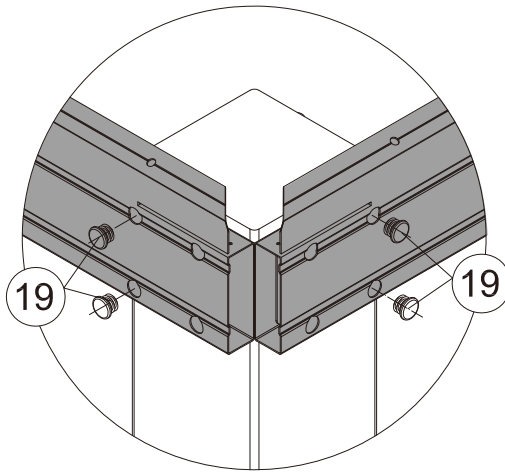


ST5x16

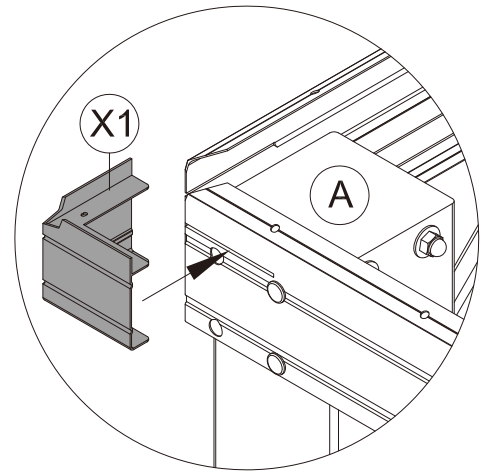
3 16x



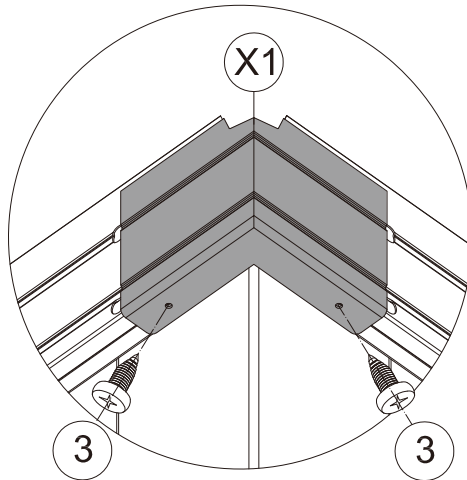
19 16x



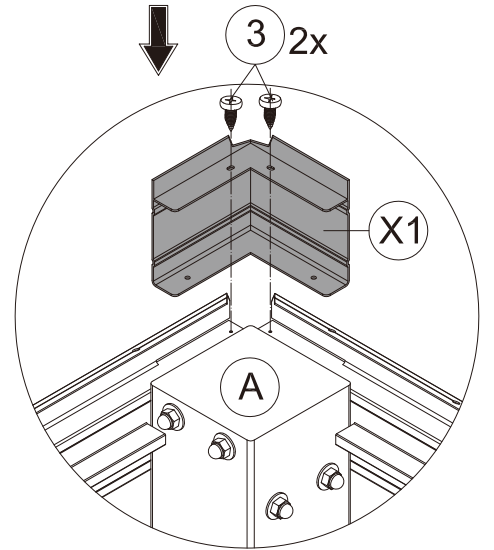
(1) Put 4 Part #19 on the 4 holes.



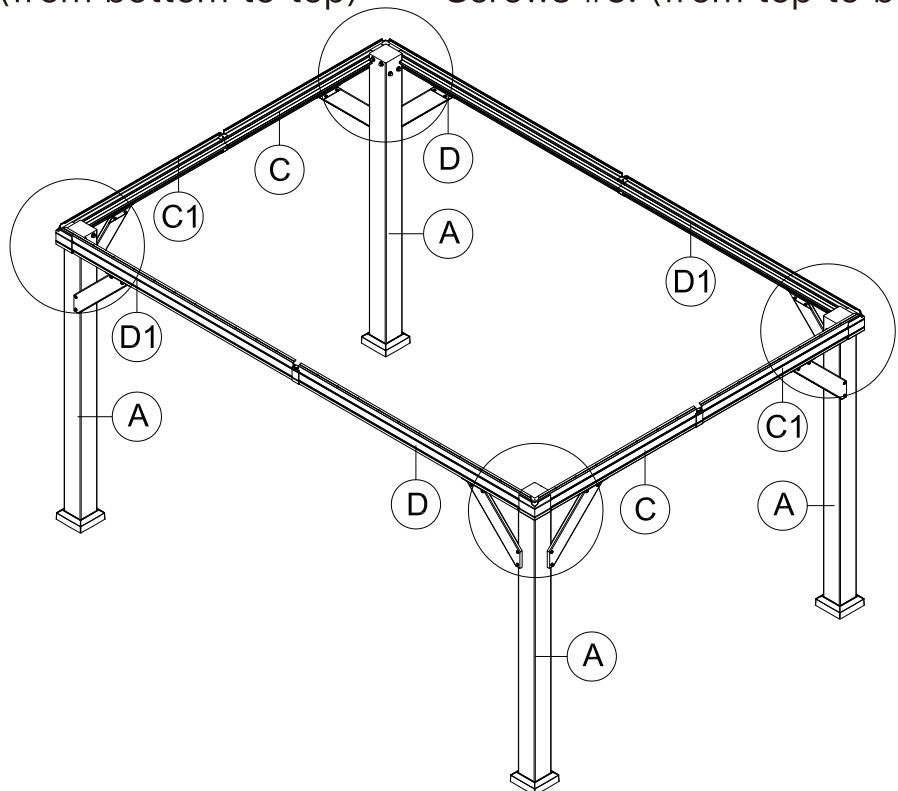
(2) Cover the corner with Part #X1.



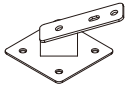
(4) Secure with 2 Self-tapping Screws #3. (from bottom to top)



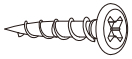
(3) Secure with 2 Self-tapping Screws #3. (from top to bottom)



(5) Repeat the above procedures to assemble the other 3 corners.



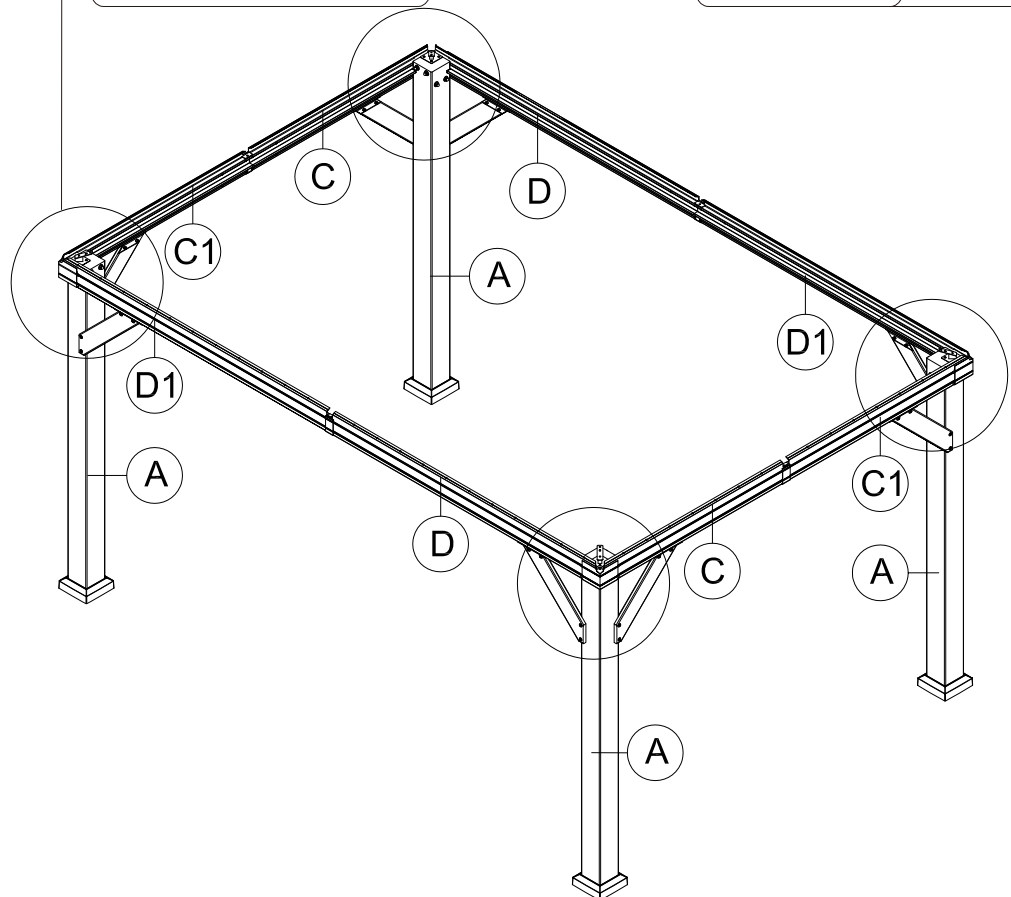
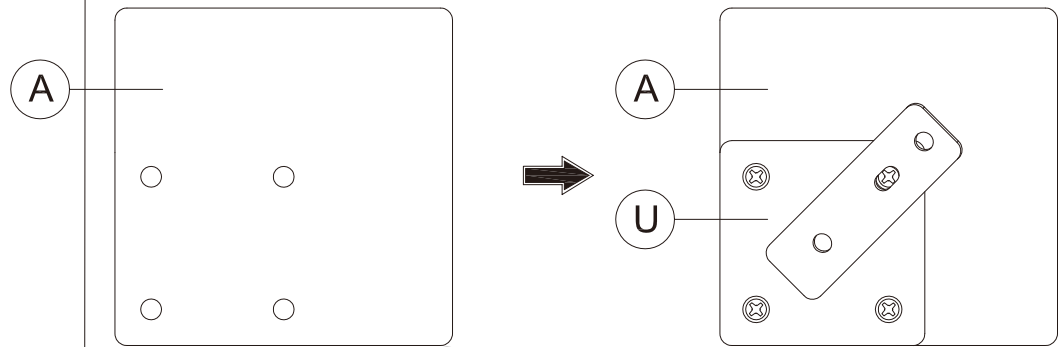
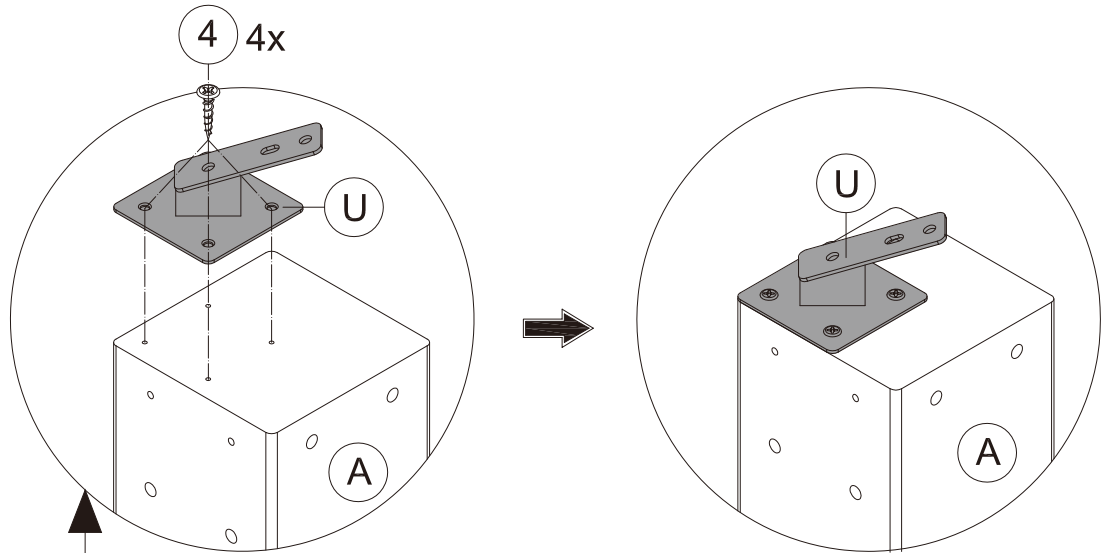
U 4x



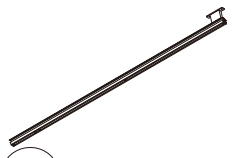
ST5x30

4 16x

(1) Connect Part #U to Part #A with 4 Bolts #4.



(2) Repeat the above procedures to assemble the other 3 corners.



E 4x



E1 4x



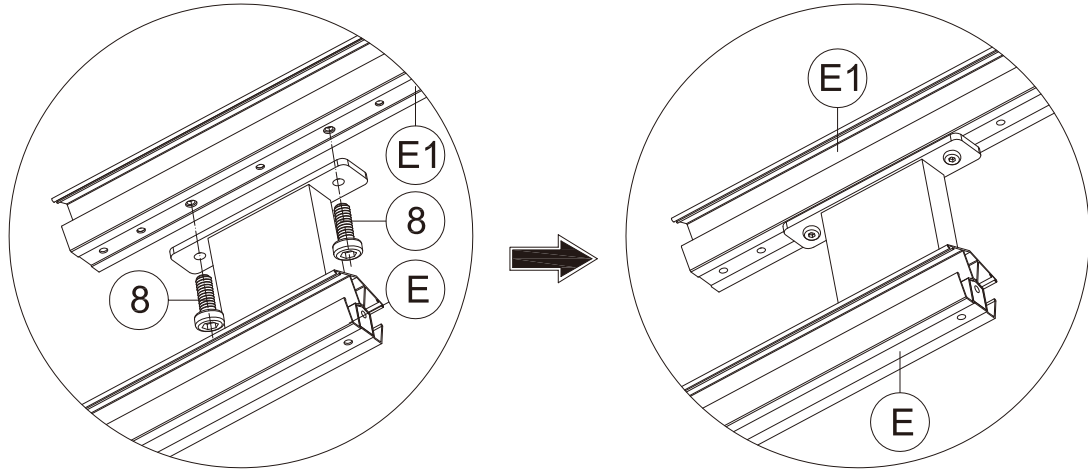
1 1x



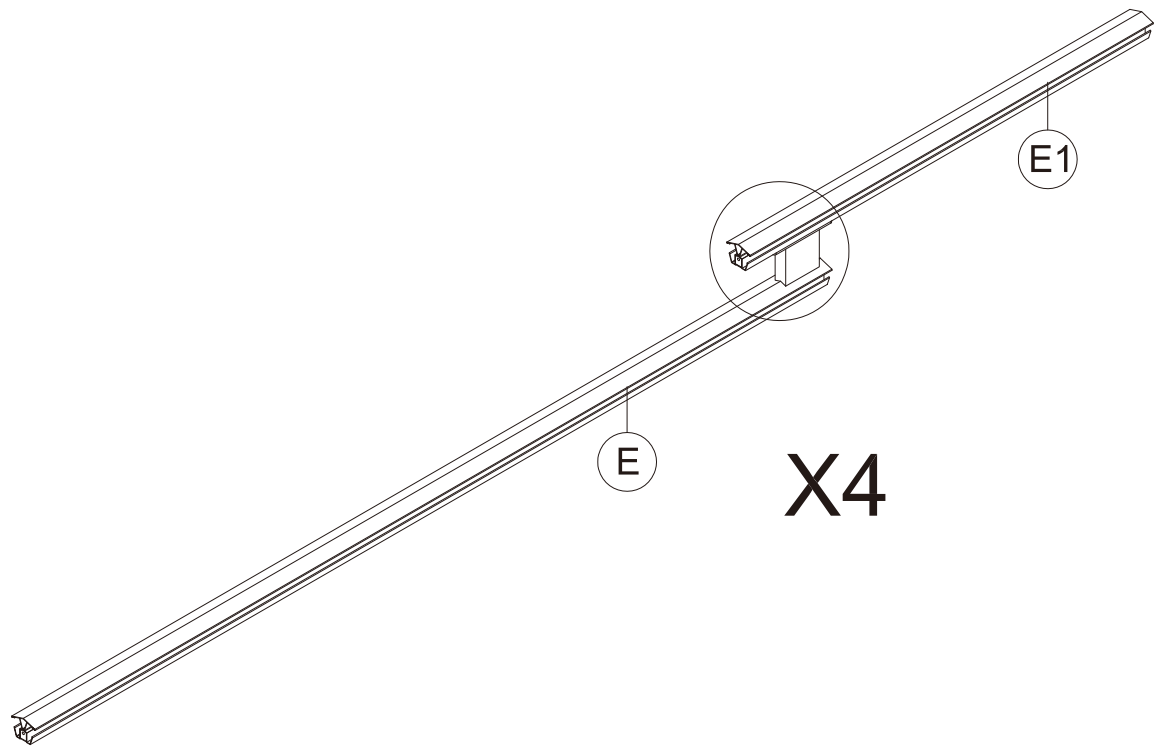
M6x16

8 8x

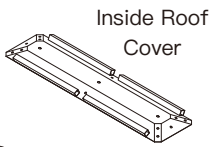
Assemble the 4 Corner Roof Bars:



(1) Connect Part #E1 and Part #E with 2 Bolts #8 .



(2) Repeat the above procedures to assemble the other 3 corner roof bars.



Inside Roof Cover

S 1x



S4

1 1x



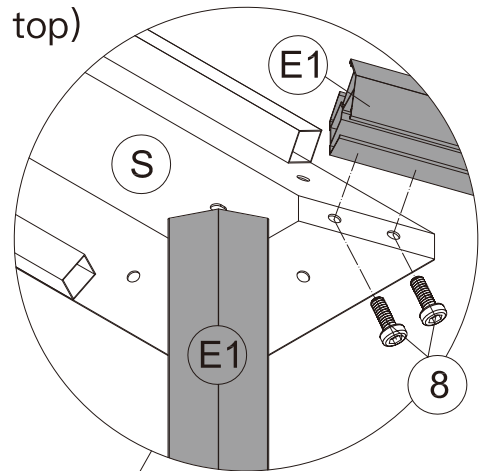
M6x16

8 16x

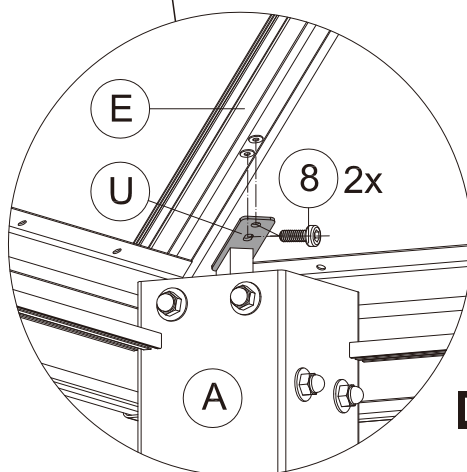
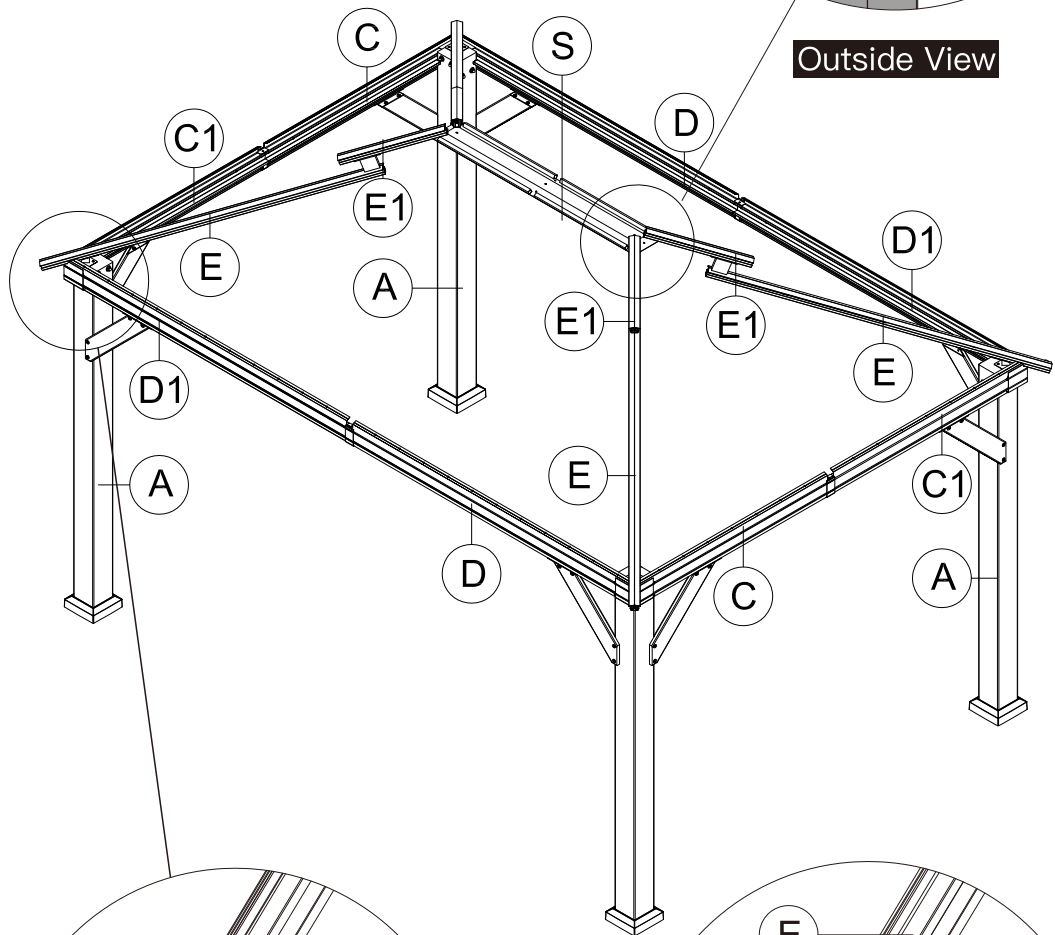
Please have a freestanding ladder ready at the center of the gazebo.

(1) Place 4 Part #E1 on the 4 corners of Part #S. Secure with 8 Bolts #8 (from bottom to top)

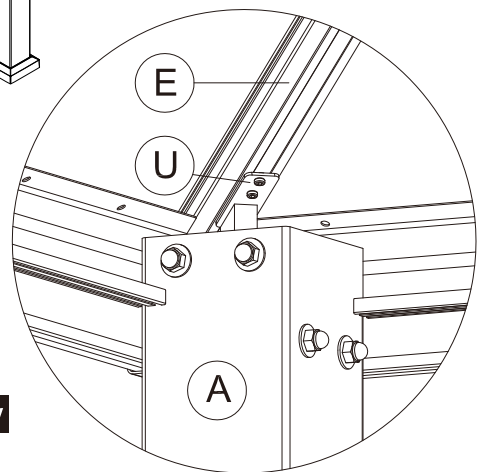
ATTENTION: You can also finish this step on the ground and then lift 4 corner roof bar and inside roof connector to the top together. (Need 2 people and 2 ladder)



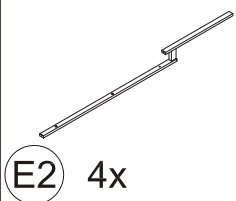
Outside View



Inside View



(2) Place 4 Part #E on 4 Part #A; Secure with 4 Part U and 8 Bolts #8.



E2 4x



U1 4x

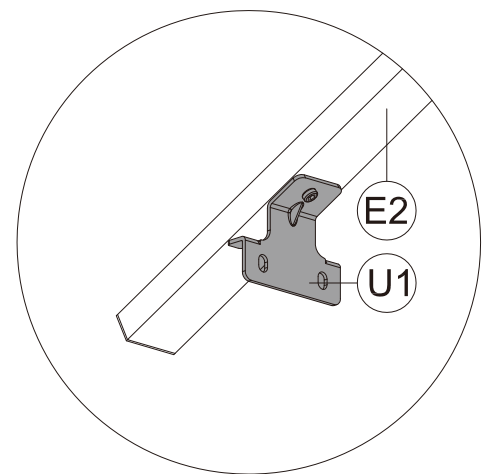
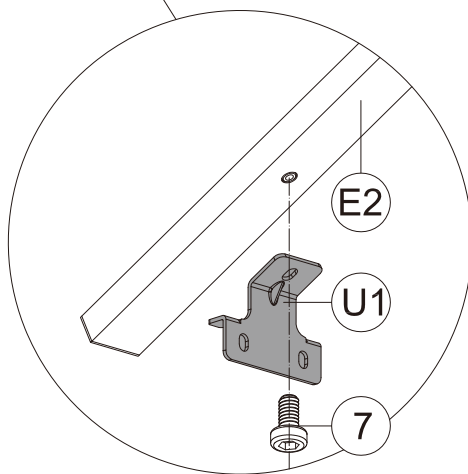
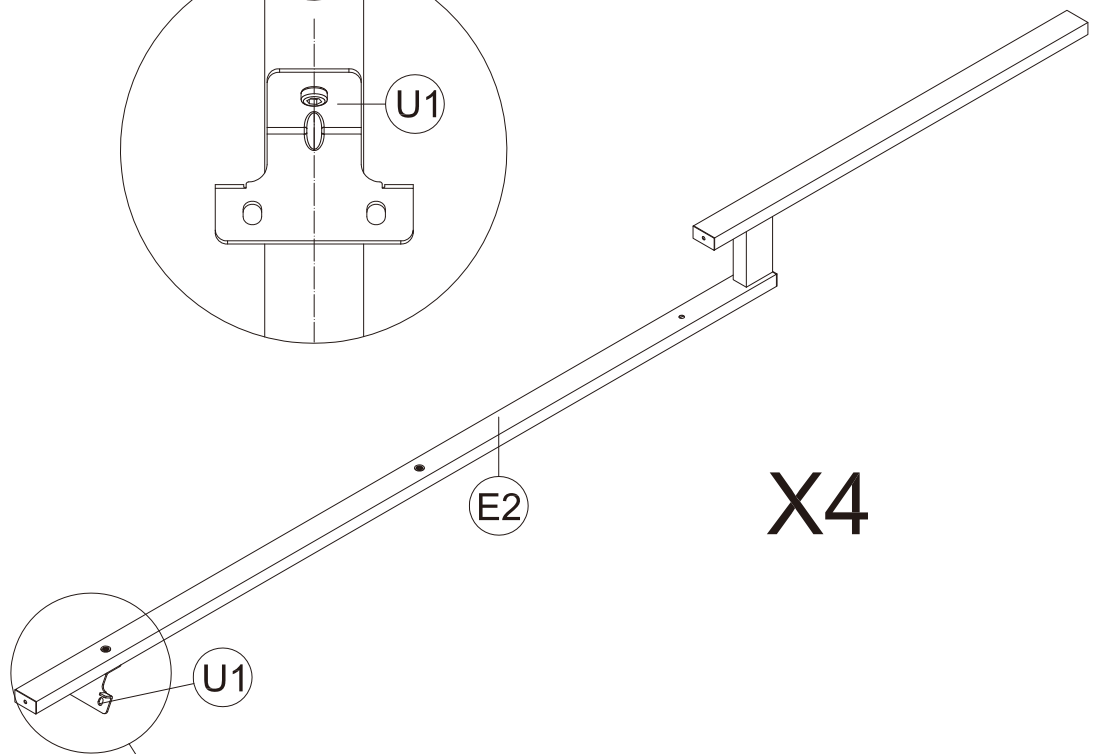
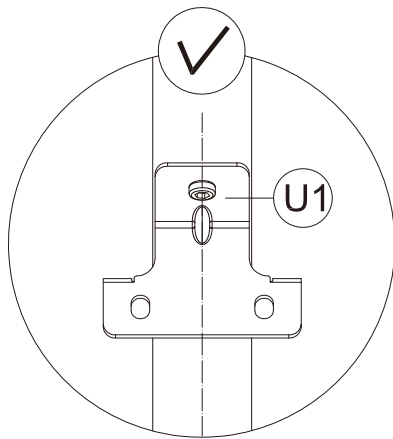
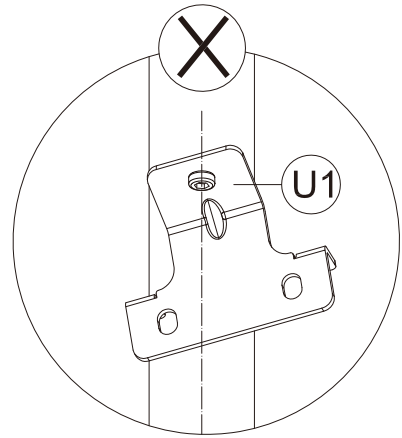
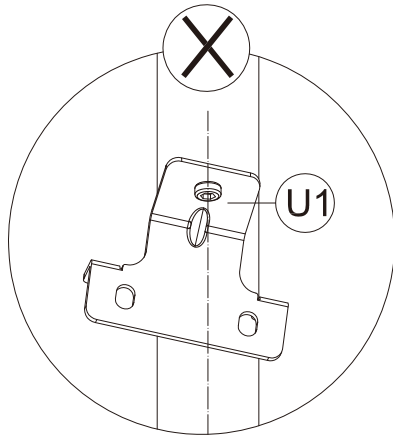


1 1x

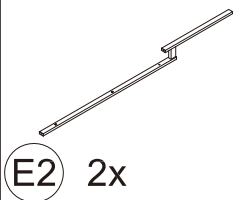


M6x10

7 4x



(1) Attach Part #U1 to Part #E2 with Bolt #7 .
(2) Repeat the above procedures to assemble the other 3 roof bars.



E2 2x



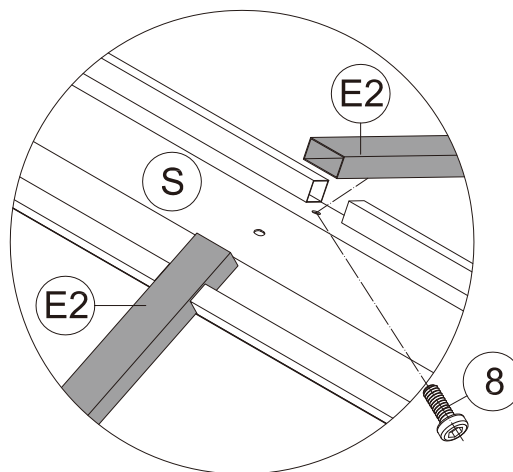
S4

1 1x



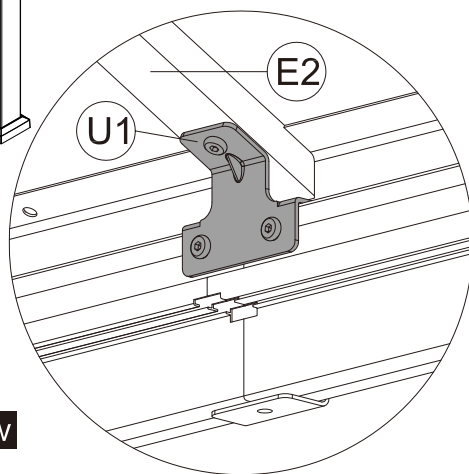
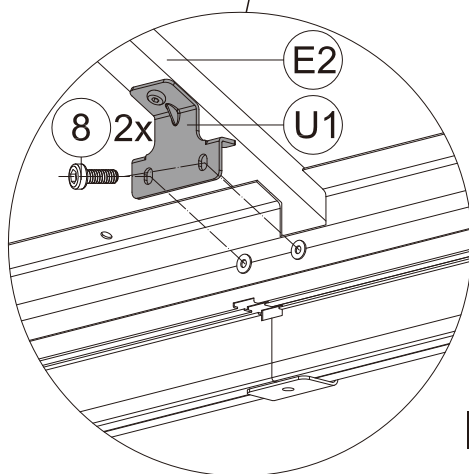
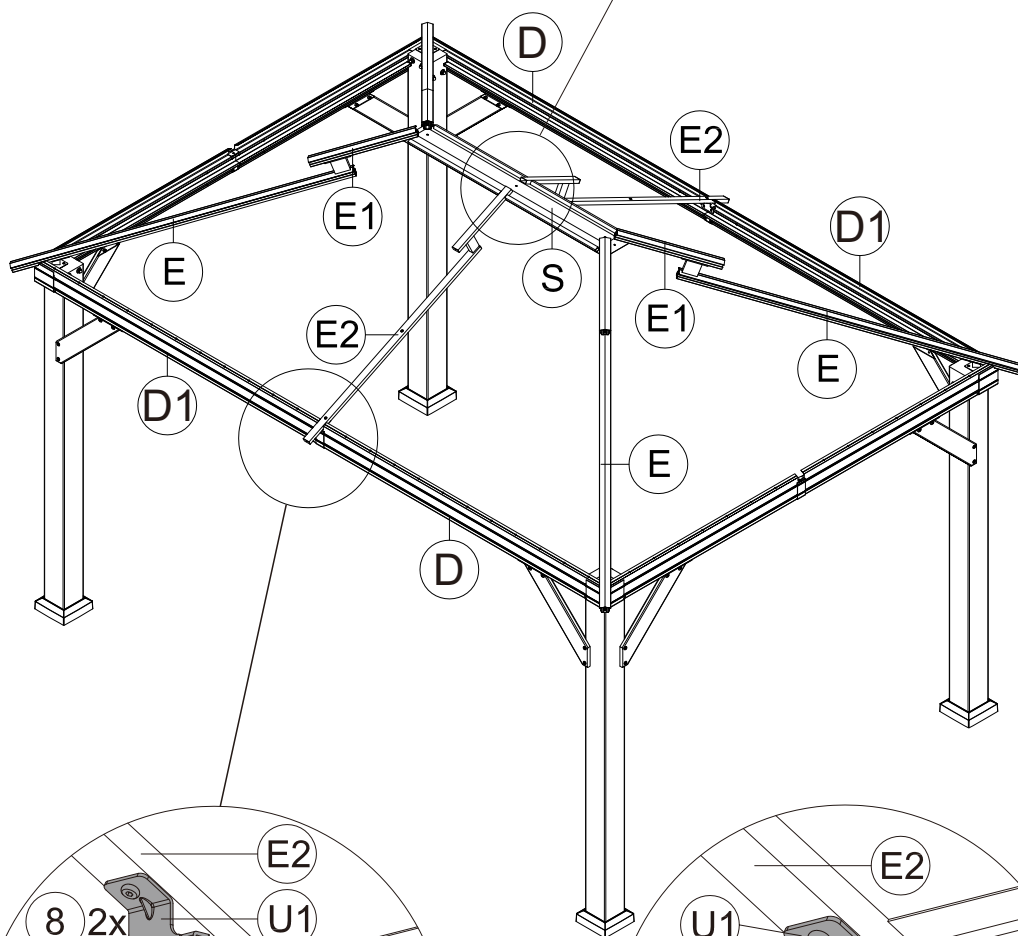
M6x16

8 6x



Outside View

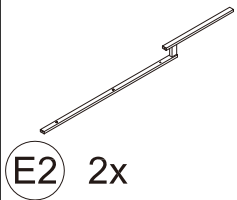
(1) Place Part #E2 on Part #S.
Secure with Bolt #8 (from bottom to top).



Inside View

(2) Connect Part #E2 and the Assembled Beam(D&D1) with part #U1.
Secure with 2 Bolts #8.

(3) Repeat the above procedures to assemble the opposite side.



E2 2x



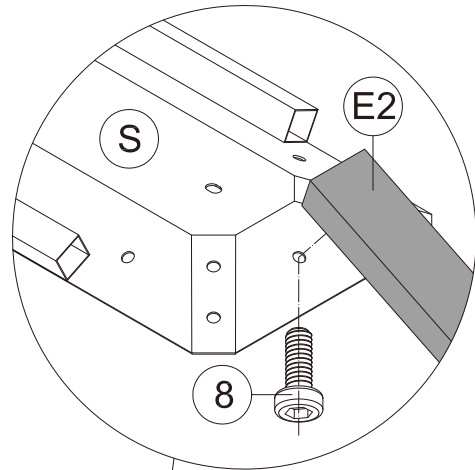
1 1x



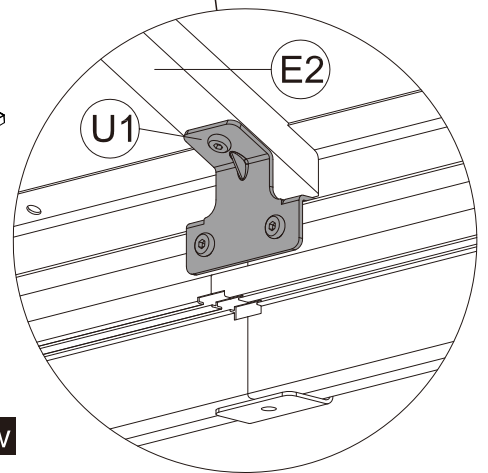
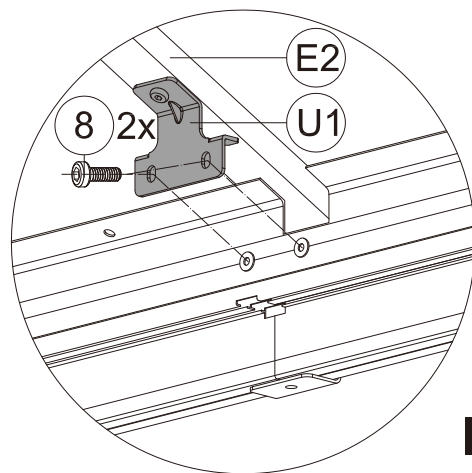
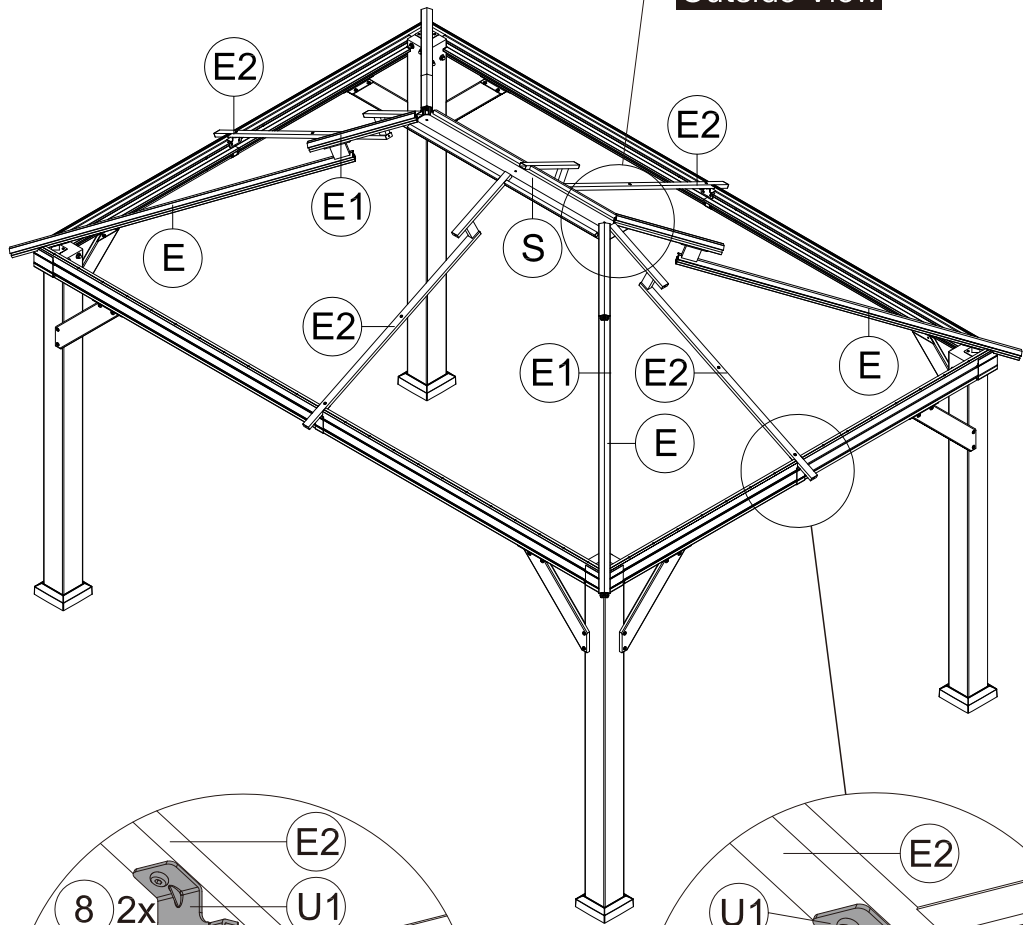
M6x16

8 6x

(1) Place Part #E2 on part #S. Secure with Bolt #8 (from bottom to top).



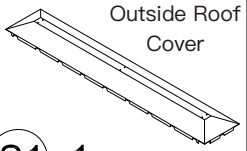
Outside View



Inside View

(2) Connect Part #E2 and the Assembled Beam(C&C1) with part #U1. Secure with 2 Bolts #8 .

(3) Repeat the above procedures to assemble the opposite side.

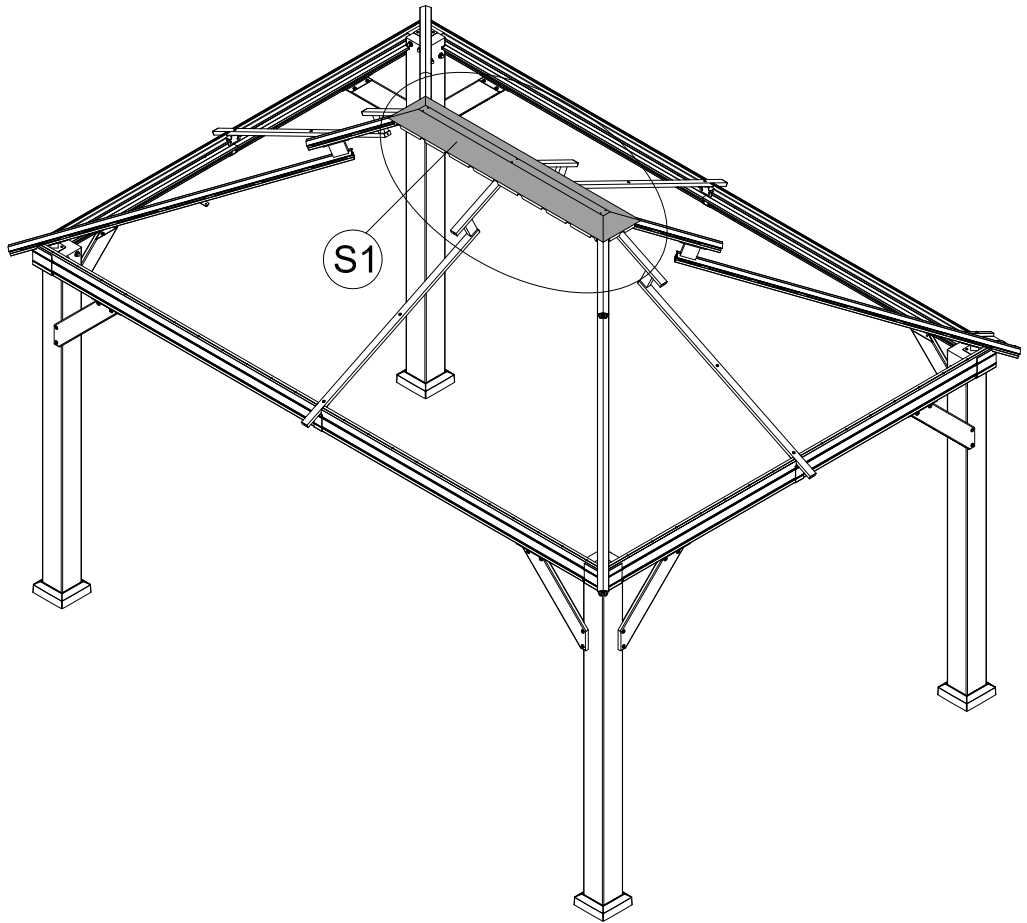
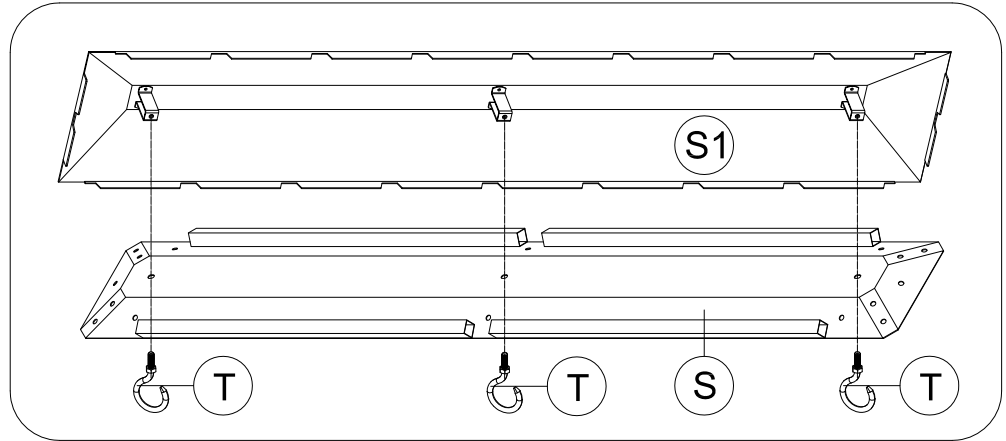


(S1) 1x

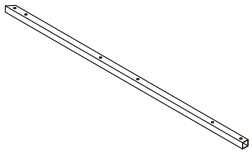


(T) 3x

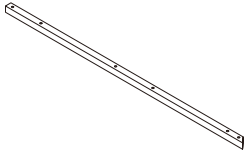
Secure Part #T to Part #S and Part #S1.
(From Bottom to Top)



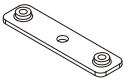
ATTENTION: The holes of Part #S and Part #S1 need to be aligned, on the same vertical line.



G 2x



G1 2x



U3 2x



1 1x



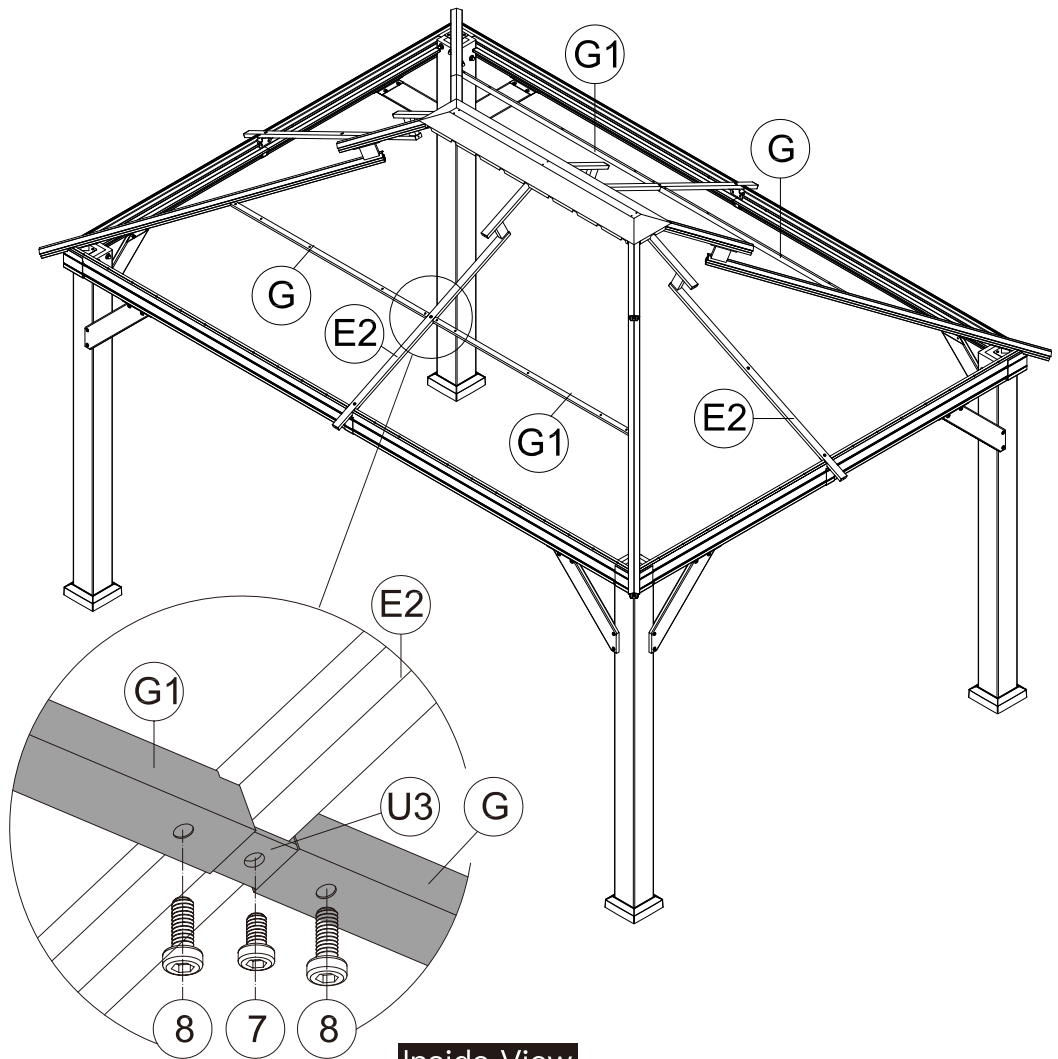
M6x10

7 2x



M6x16

8 4x

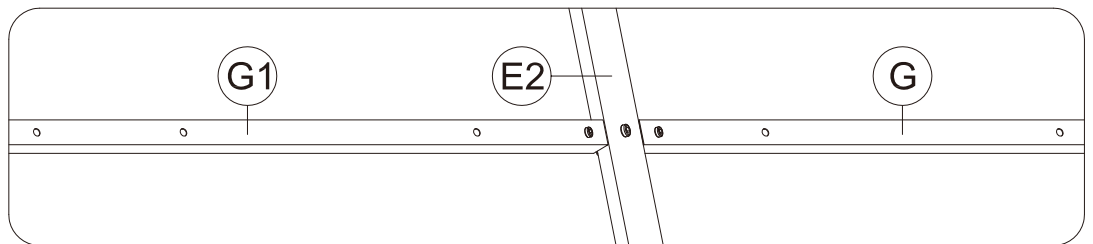


Inside View

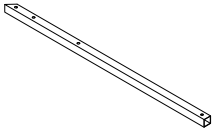
(1) Insert Part #U3 into Part #G and Part #G1.

(2) Attach Part #G and Part #G1 to the Part #E2 with 1 Bolt #7 and 2 Bolts #8.

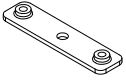
(3) Repeat the above procedures to assemble the opposite side.



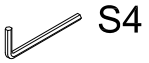
Outside View



F 4x



U3 2x



1 1x



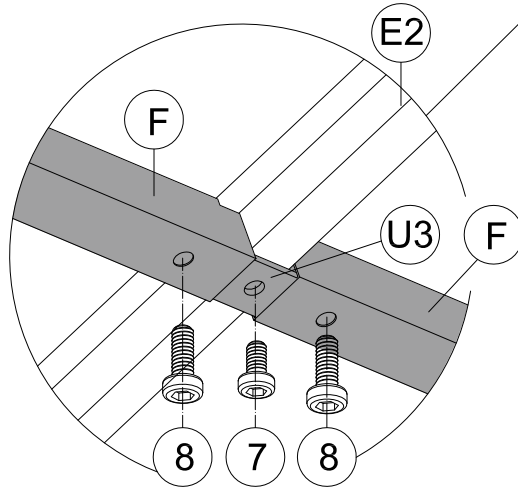
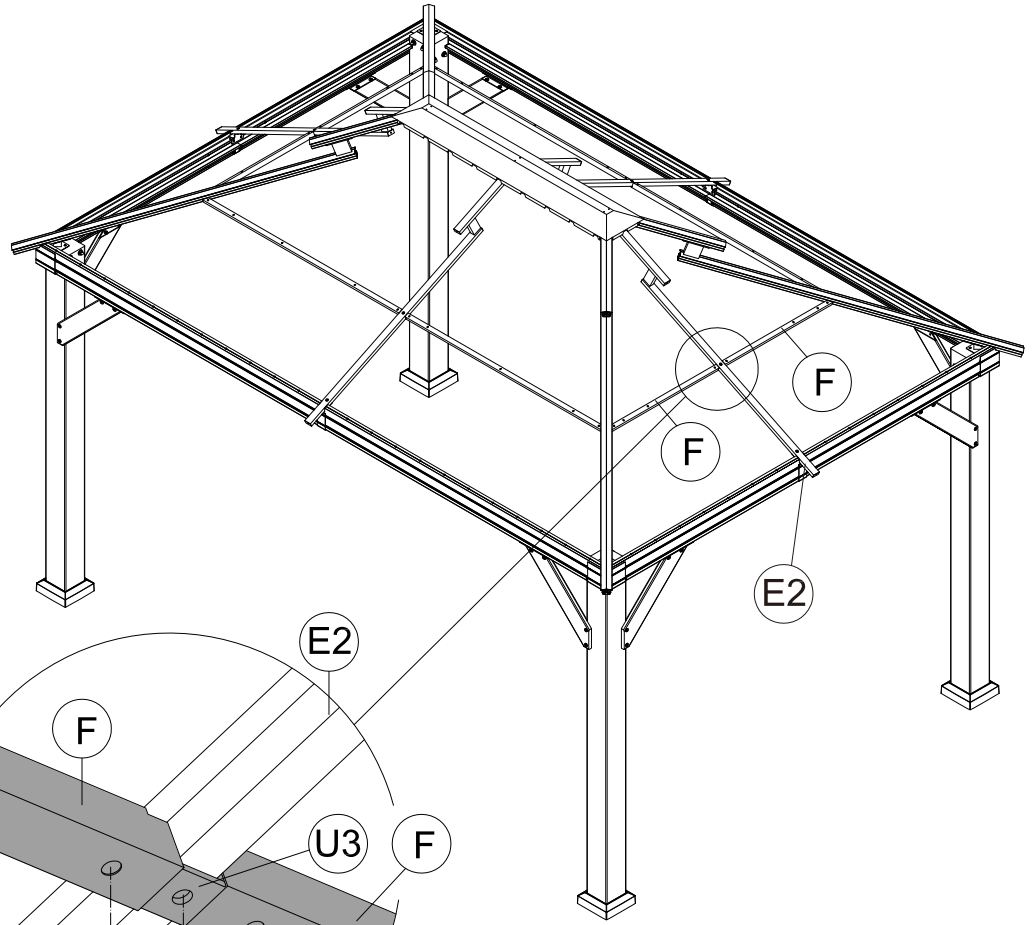
M6x10

7 2x



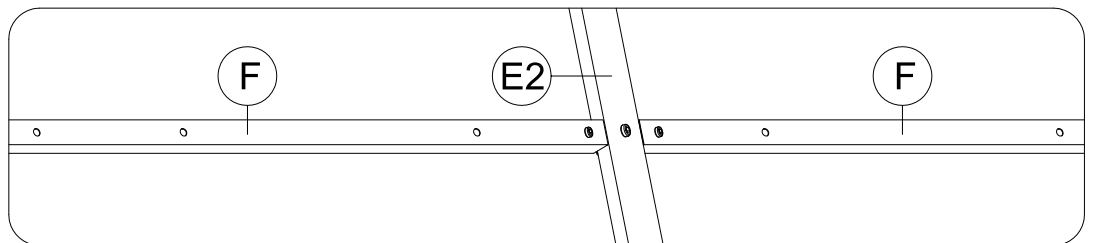
M6x16

8 4x



Inside View

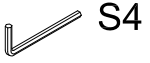
- (1) Insert Part #U3 into 2 Part #F.
- (2) Attach Part #F to the Part #E2 with 1 Bolt #7 and 2 Bolts #8.
- (3) Repeat the above procedures to assemble the opposite side.



Outside View



U2 4x

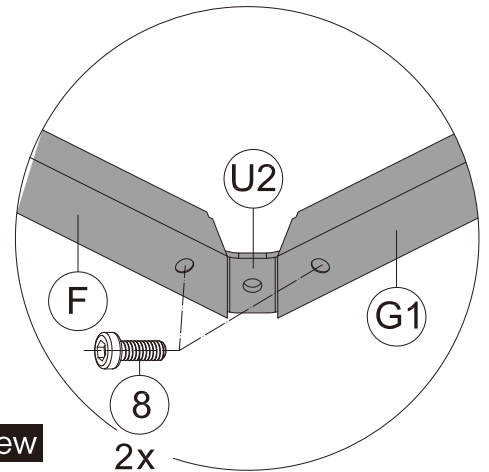
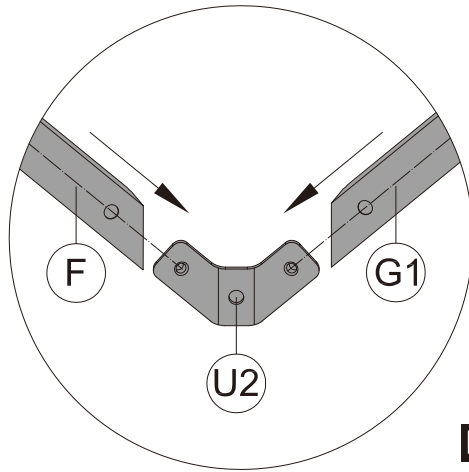


1 1x

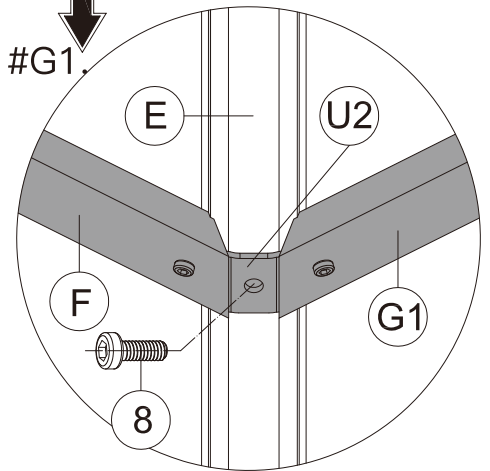


M6x16

8 12x



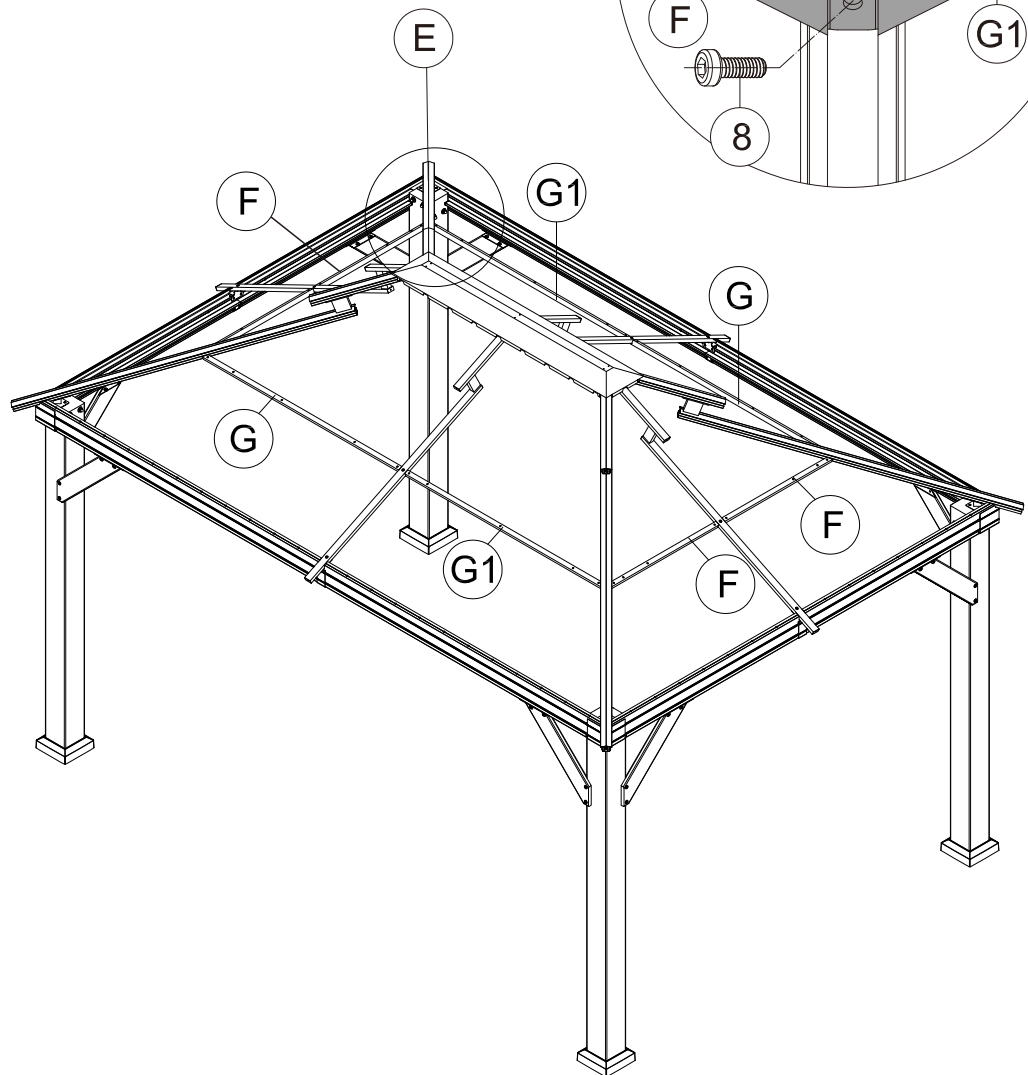
Inside View



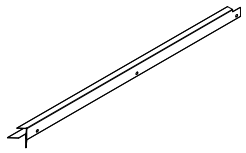
(1) Insert Part #U2 into Part #F and Part #G1.

(2) Secure with 2 Bolts #8.

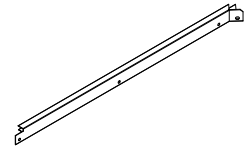
(3) Secure them to Part #E with Bolt #8.



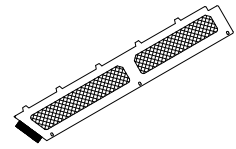
(4) Repeat the above procedures to assemble the other 3 sides.



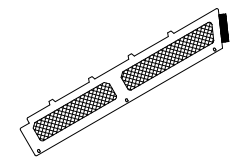
J1 2x



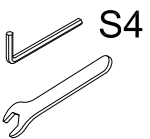
J2 2x



Q1 2x



Q2 2x



1 1x



M6

5 8x

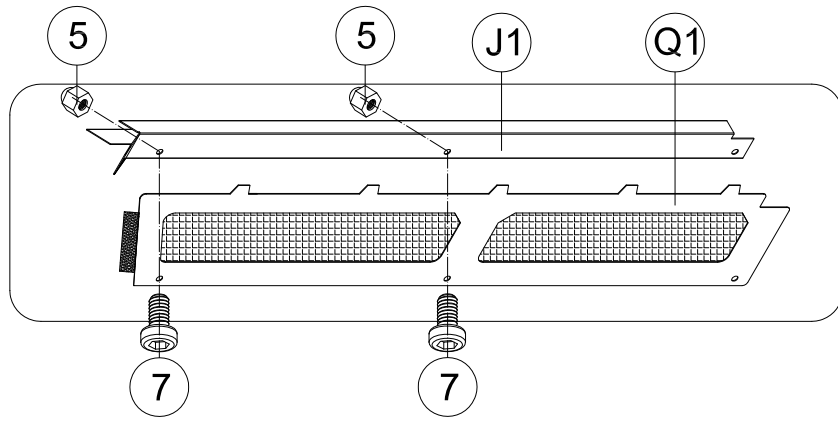


M6x10

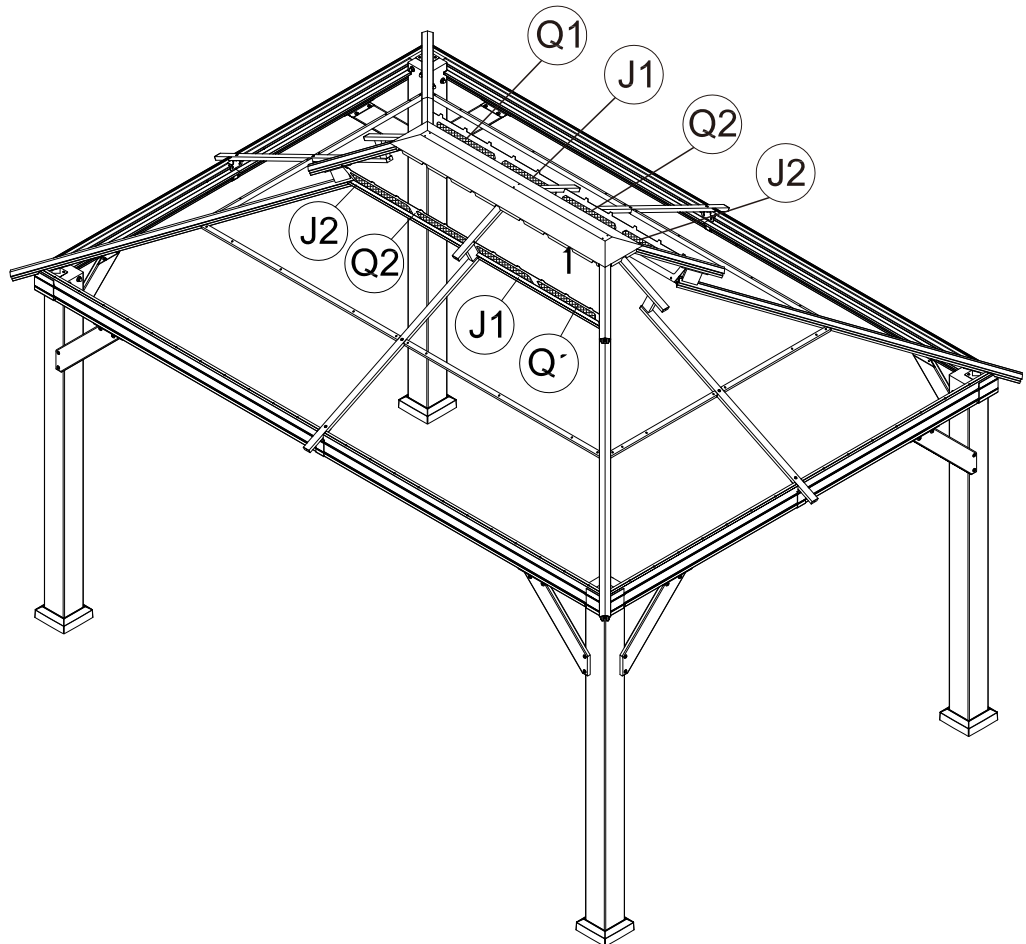
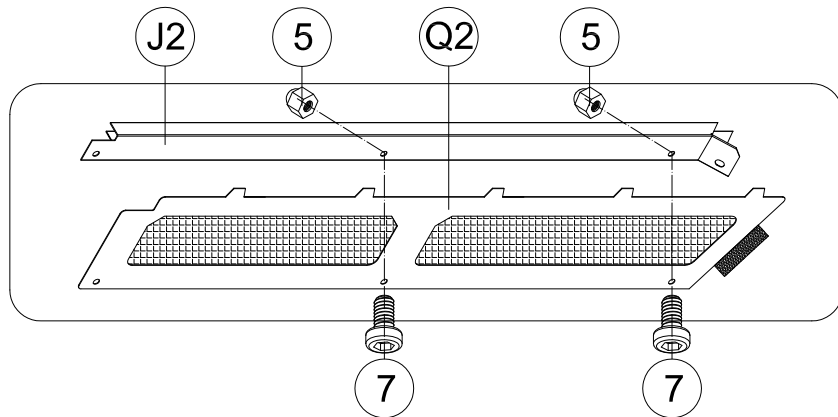
7 8x

24

(1) Connect Part #J1 and Part #Q1 with 2 Bolts #7 and 2 Nuts #5.



(2) Connect Part #J2 and Part #Q2 with 2 Bolts #7 and 2 Nuts #5.



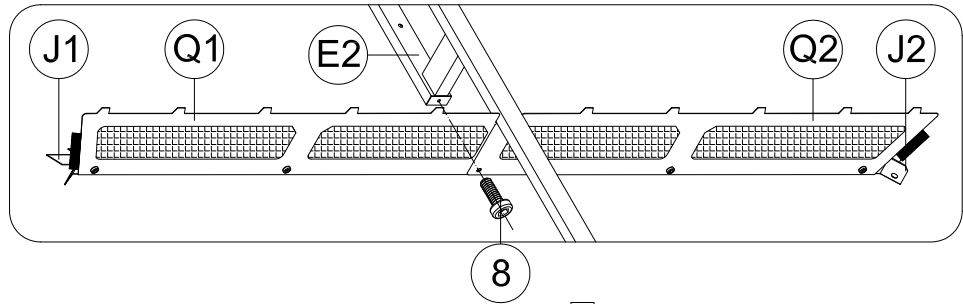
S4

1 1x

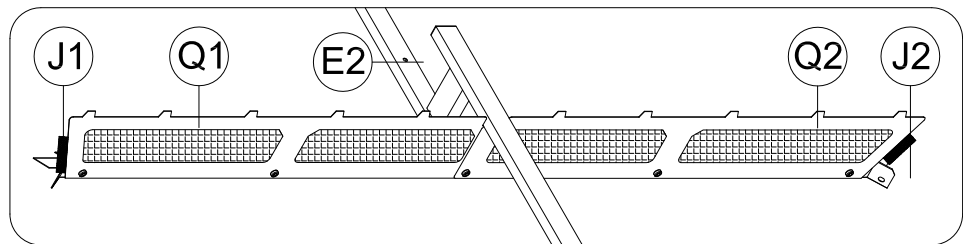


M6x16

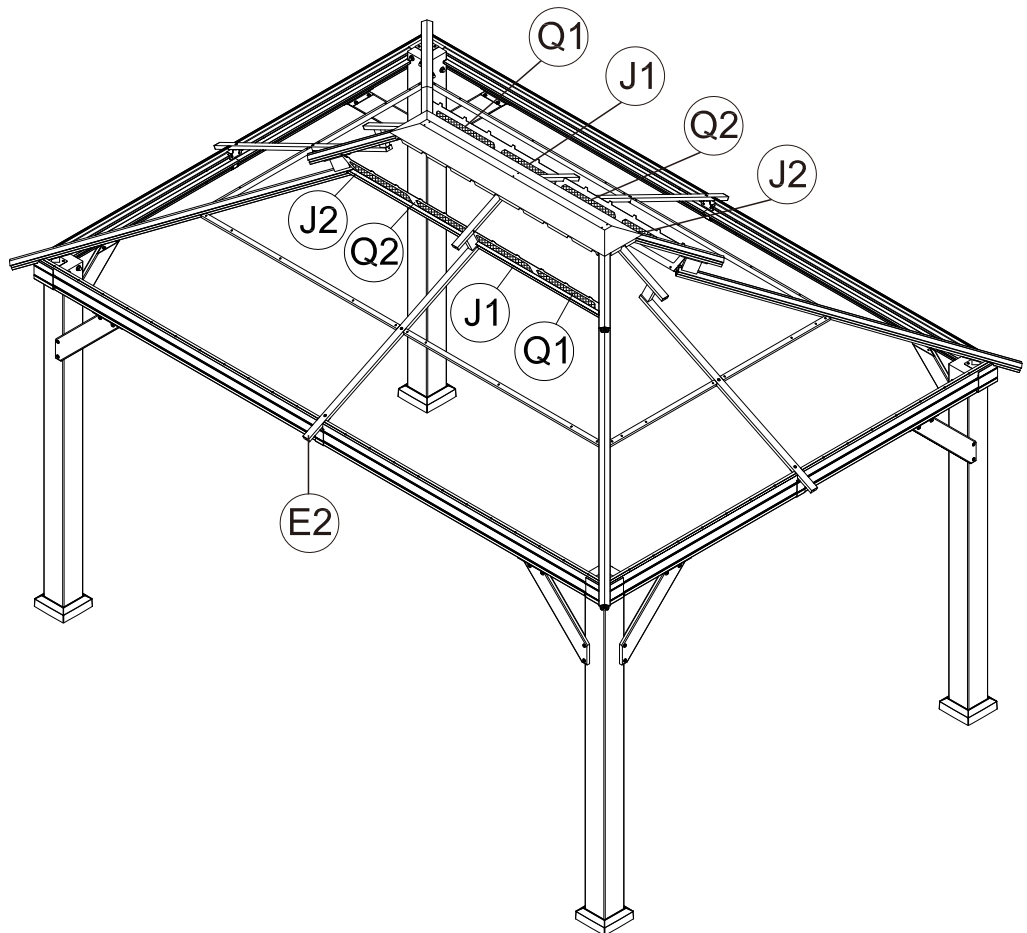
8 2x



Inside View

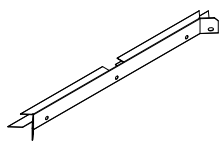


(1) Place the Assembled J1 & Q1 and J2 & Q2 on Part #E2, securing with 1 Bolt #8.

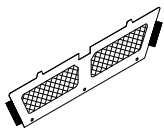


25

(2) Repeat the above procedures to assemble the opposite side.



J 2x



Q 2x



1 1x



M6

5 4x



M6x10

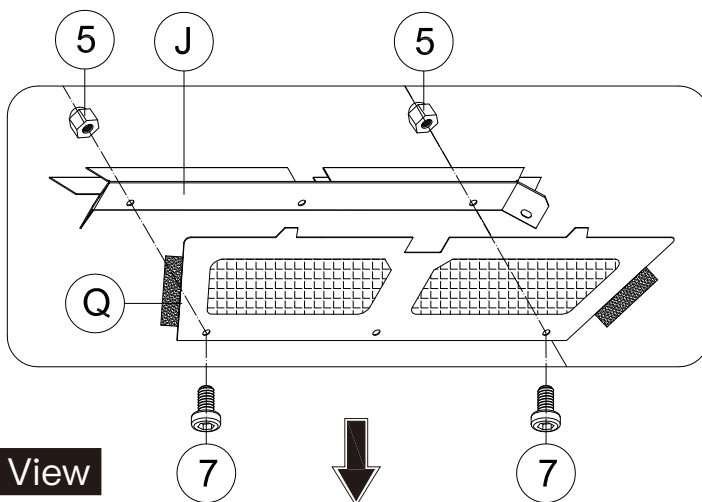
7 4x



M6x16

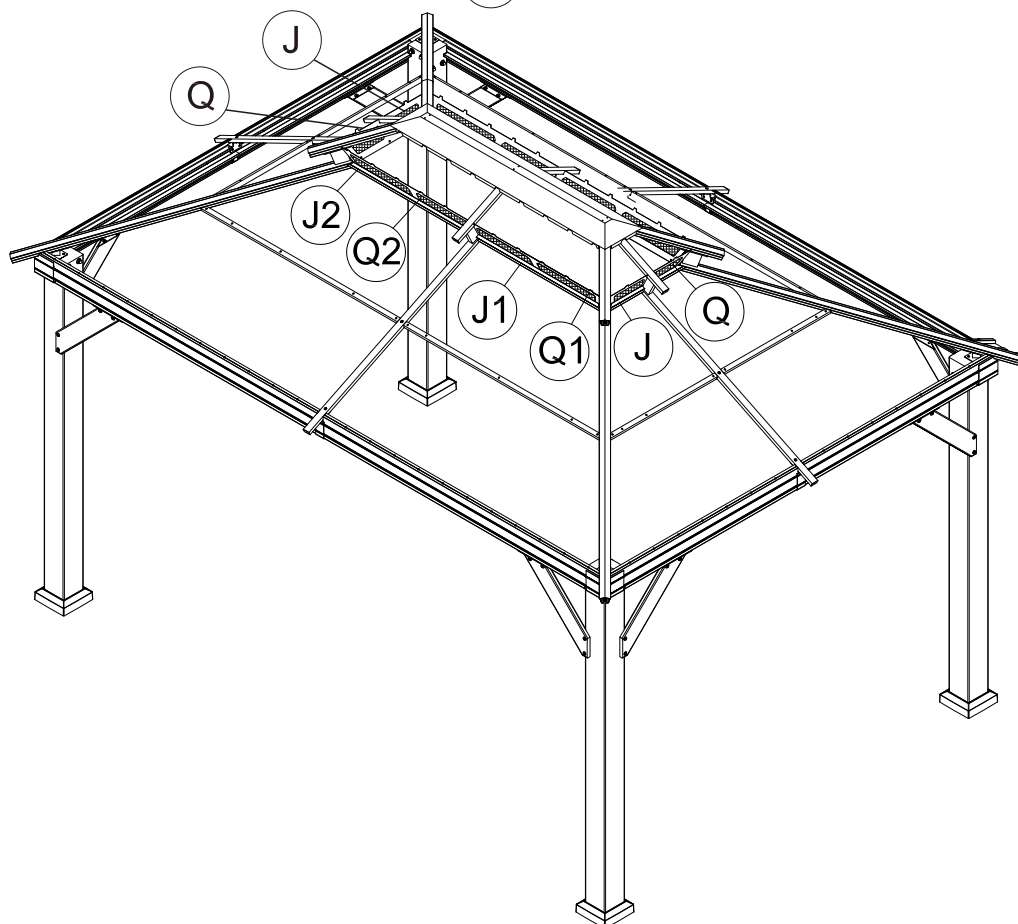
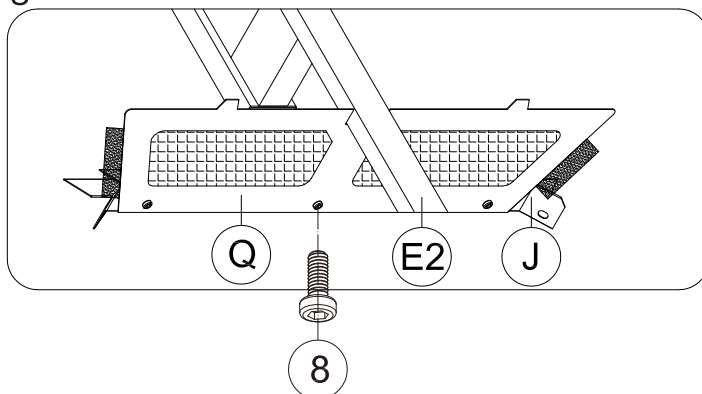
8 2x

(1) Connect Part #J and Part #Q with 2 Bolts #7 and 2 Nuts #5.



Inside View

(2) Place the Assembled Part #J & #Q on Part #E2, securing with 1 Bolt #8.



(3) Repeat the above procedures to assemble the opposite side.



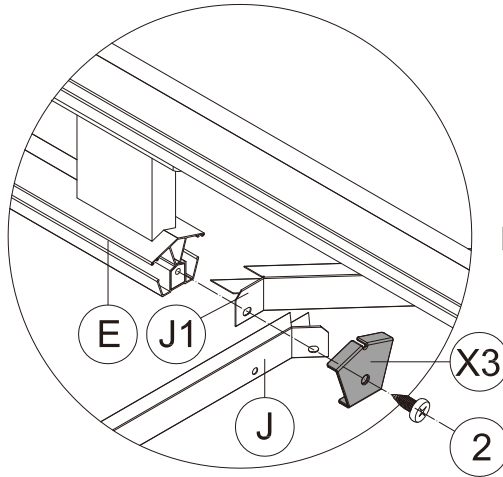
X3 4x



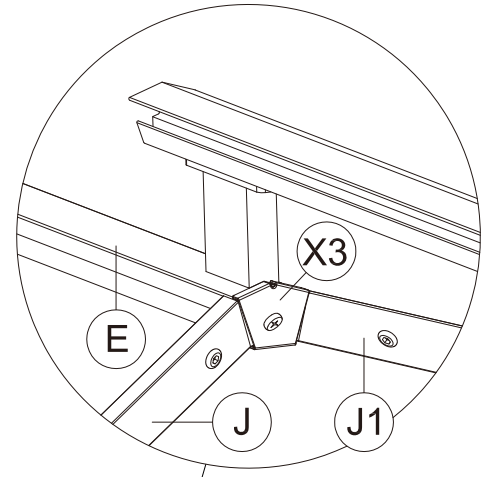
ST6.3x15

2 4x

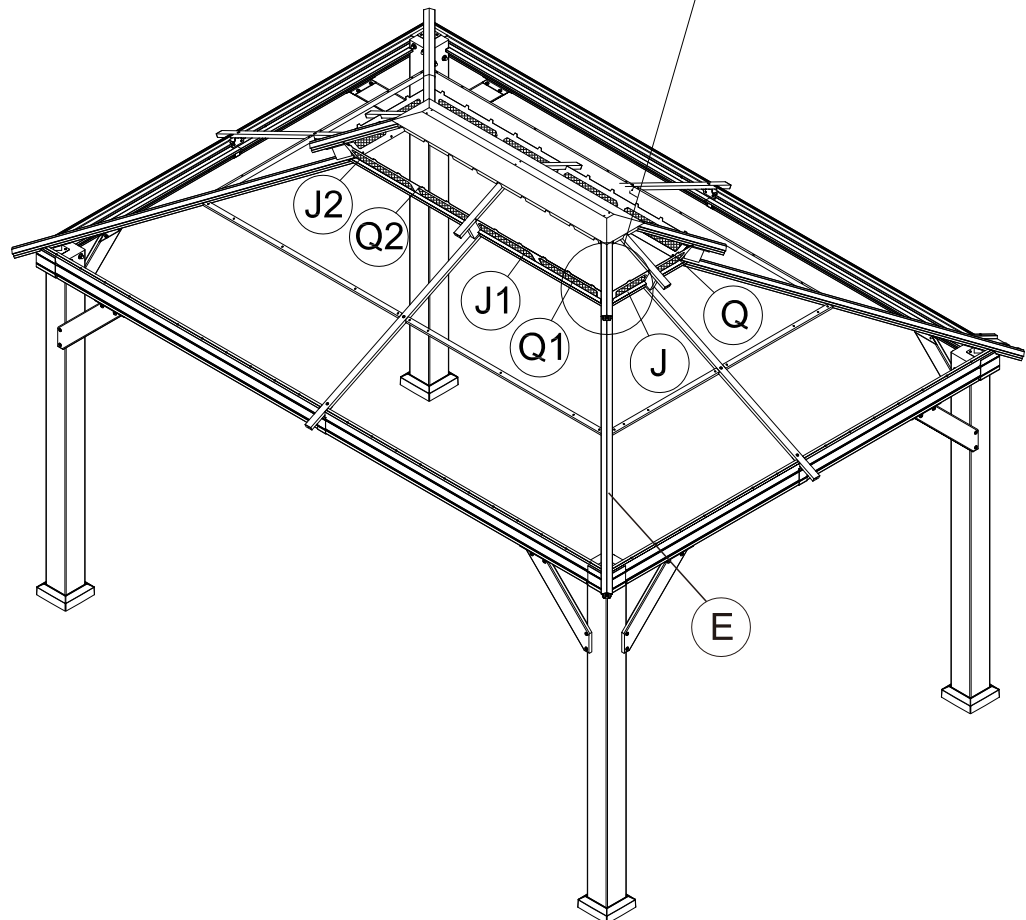
(1) Place Part #J and Part #J1/J2 on Part #E;
put on Part #X3 and secure with Self-tapping Screw #2.



Inside View

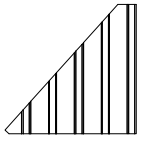


Inside View

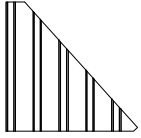


(2) Repeat the above procedures to assemble the other 3 corners.

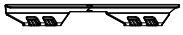
Cover Part #Z, #Z1 & #Z2 to Roof Panels.



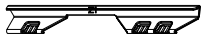
L1 2x



L2 2x



Z 4x

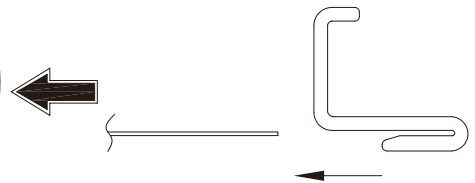
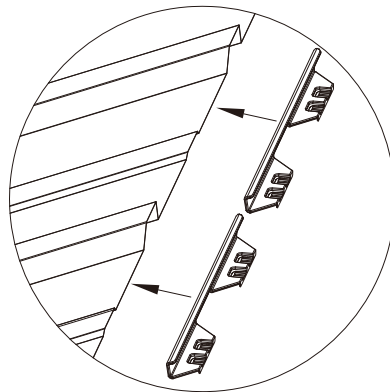
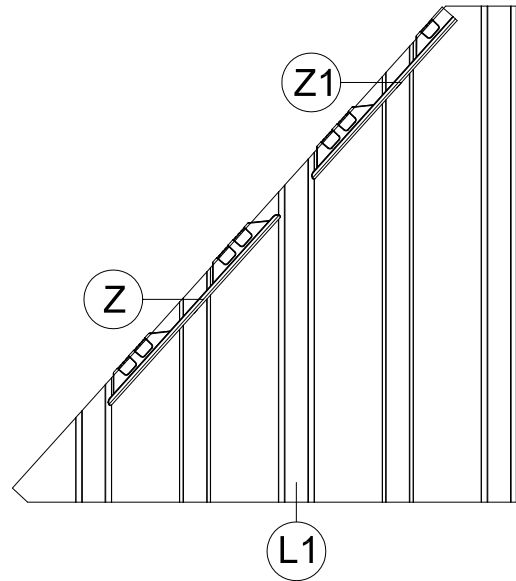


Z1 2x



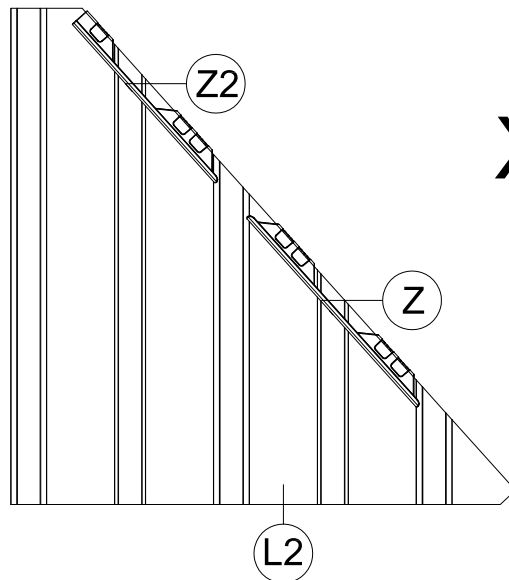
Z2 2x

X2

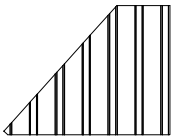
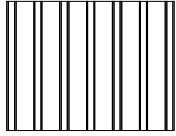
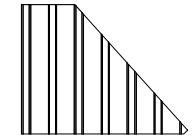



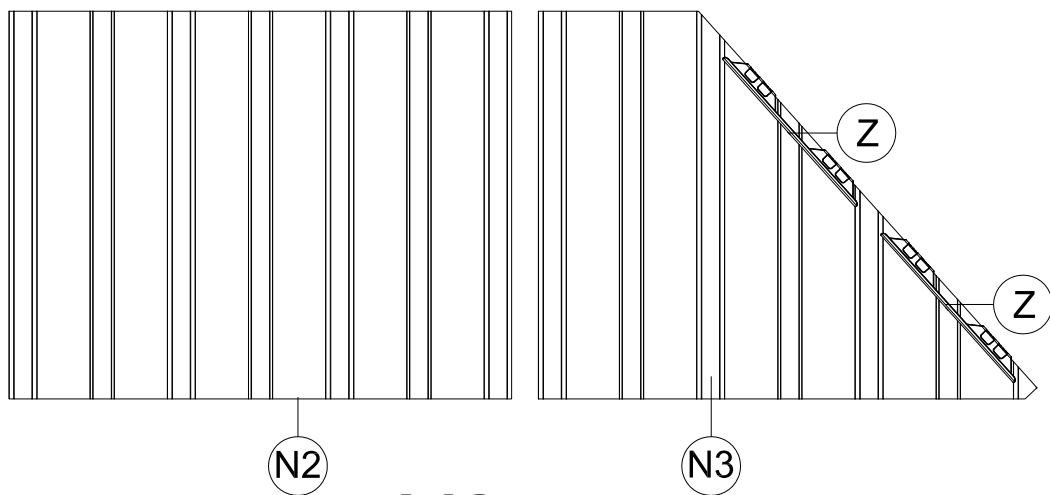
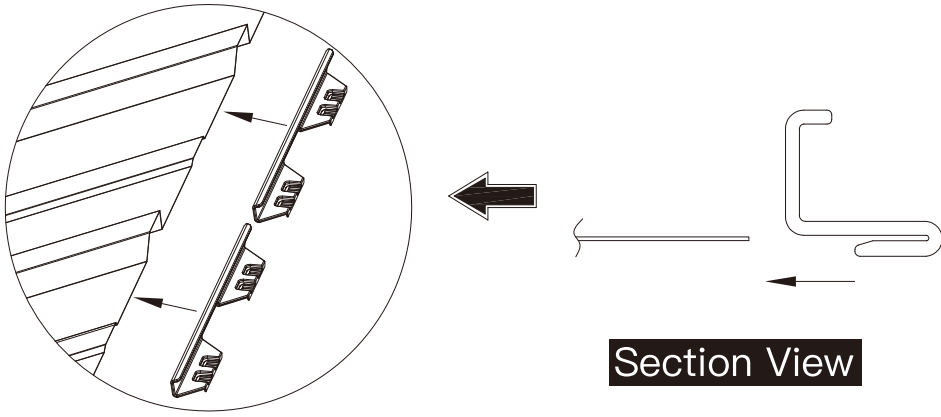
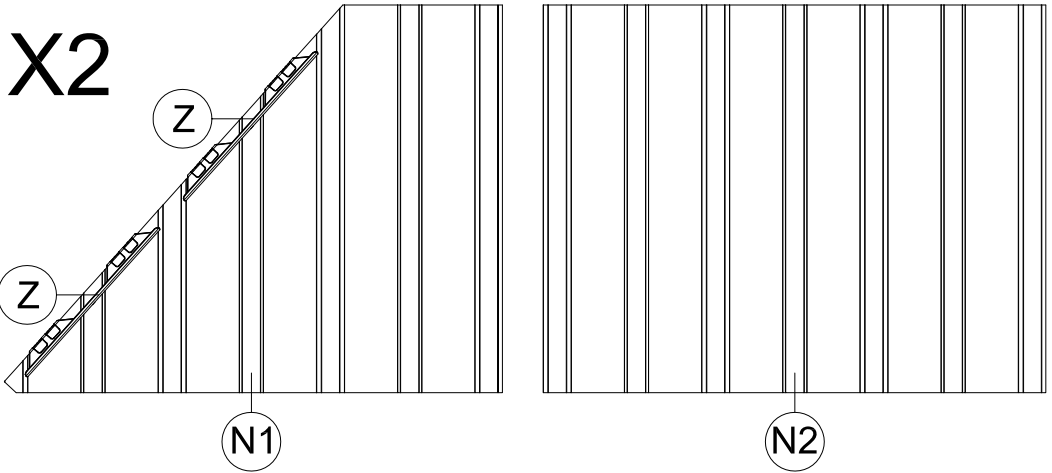
Section View

X2

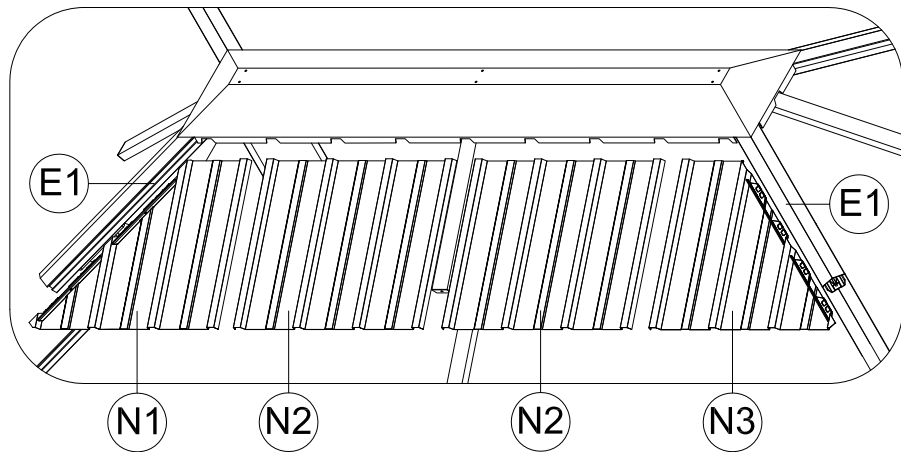


Cover Part #Z to Roof Panels.

- 
N1 2x
- 
N2 4x
- 
N3 2x
- 
Z 8x



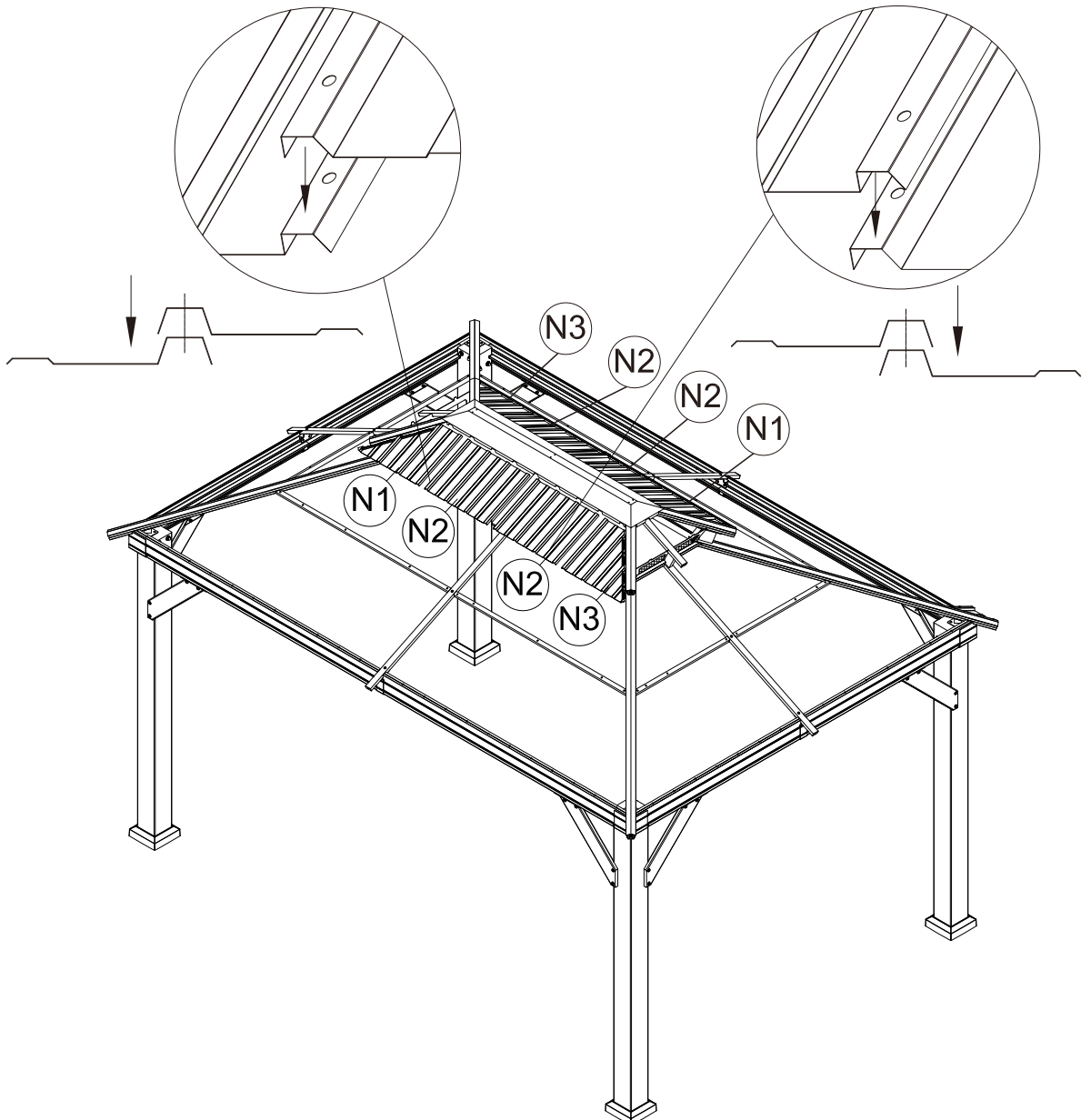
ATTENTION: The bigger roof panel need to cover the smaller one.



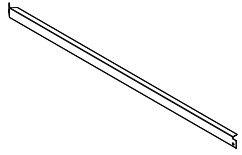
▲ If you can't install N2, push the outside roof cover up and try to insert them again.

(1) Insert Part #N1 and Part #N2 into the frame.

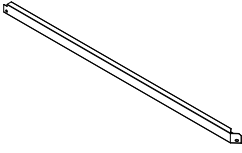
(2) Insert Part #N2 and Part #N3 into the frame.



(3) Repeat the above procedures to assemble the opposite side.



(H1) 2x



(H2) 2x



(X2) 2x



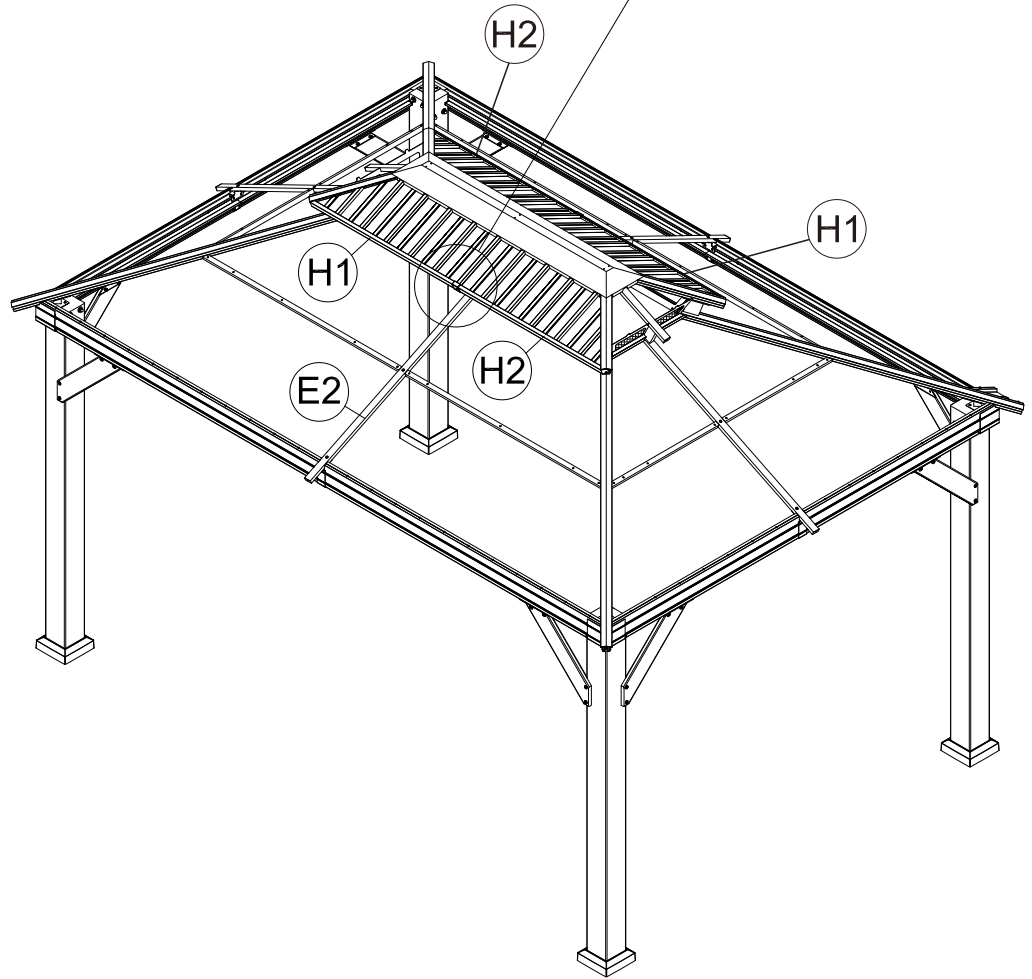
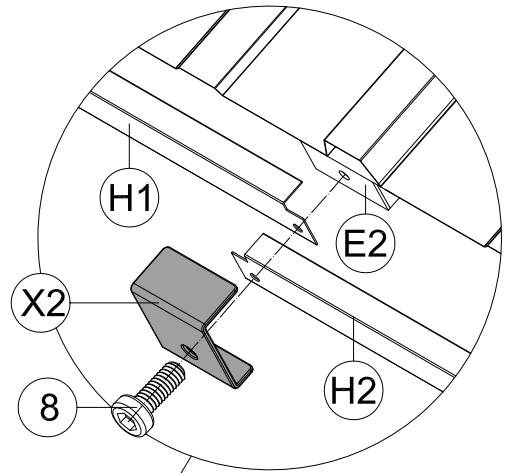
(1) 1x



M6x16

(8) 2x

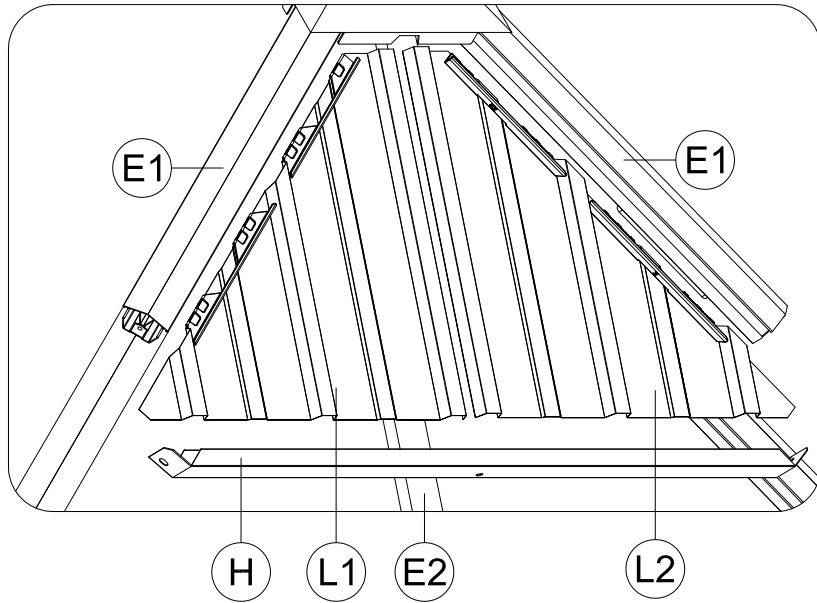
(1) Place Part #H1 and Part #H2 on Part #E2; put on Part #X2 and secure with Bolt #8.



(2) Repeat the above procedures to assemble the opposite side.

ATTENTION: The bigger roof panel need to cover the smaller one.

(1) Insert Part #L1 and Part #L2 into the frame.



(H) 2x

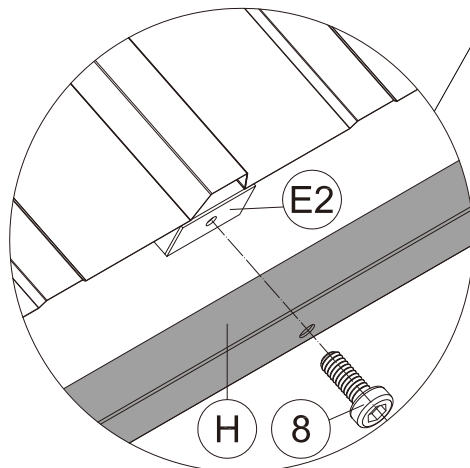
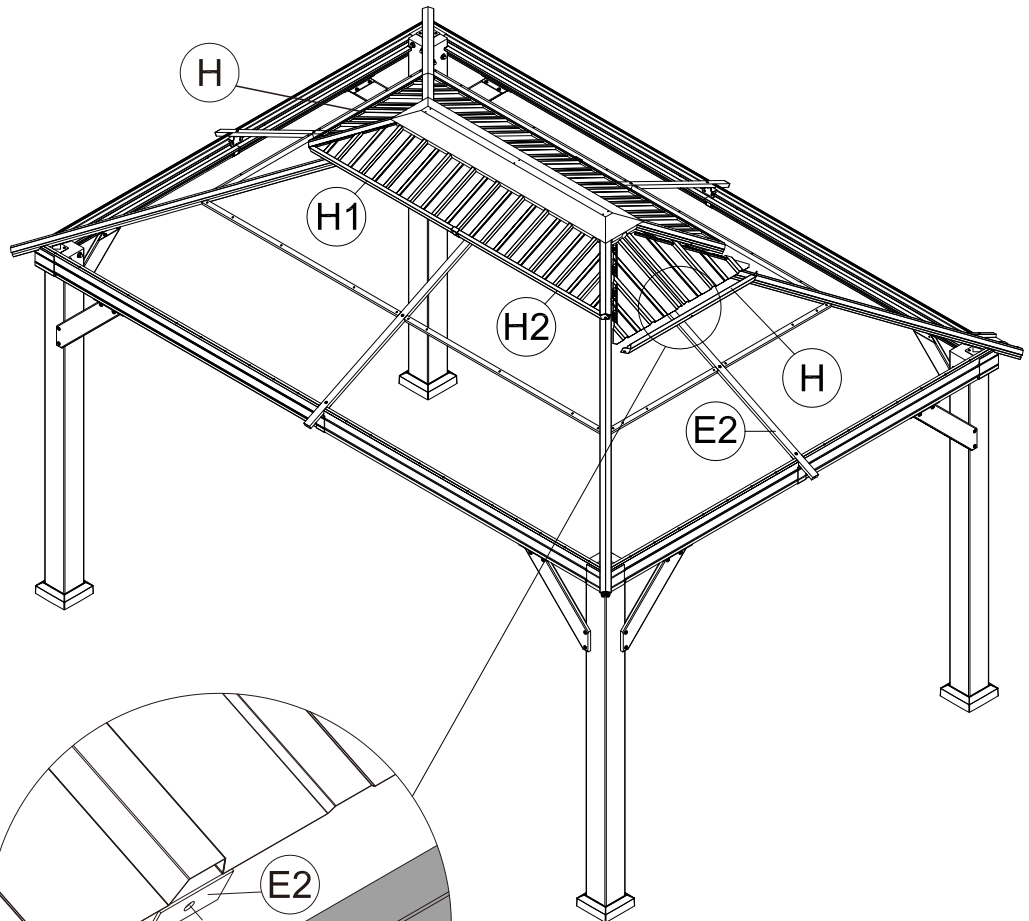
S4

(1) 1x



M6x16

(8) 2x



(3) Attach Part #H to Part #E2, securing with Bolt #8.

(4) Repeat the above procedures to assemble the opposite side.



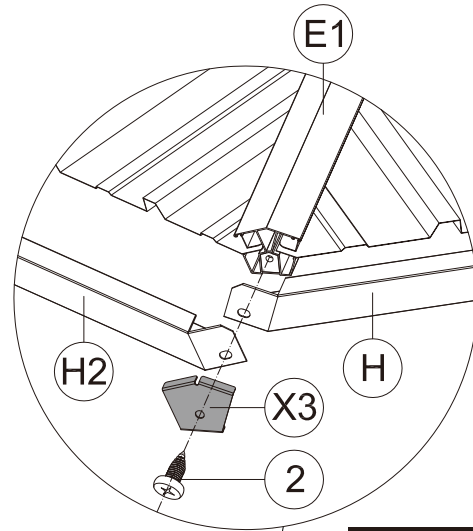
X3 4x



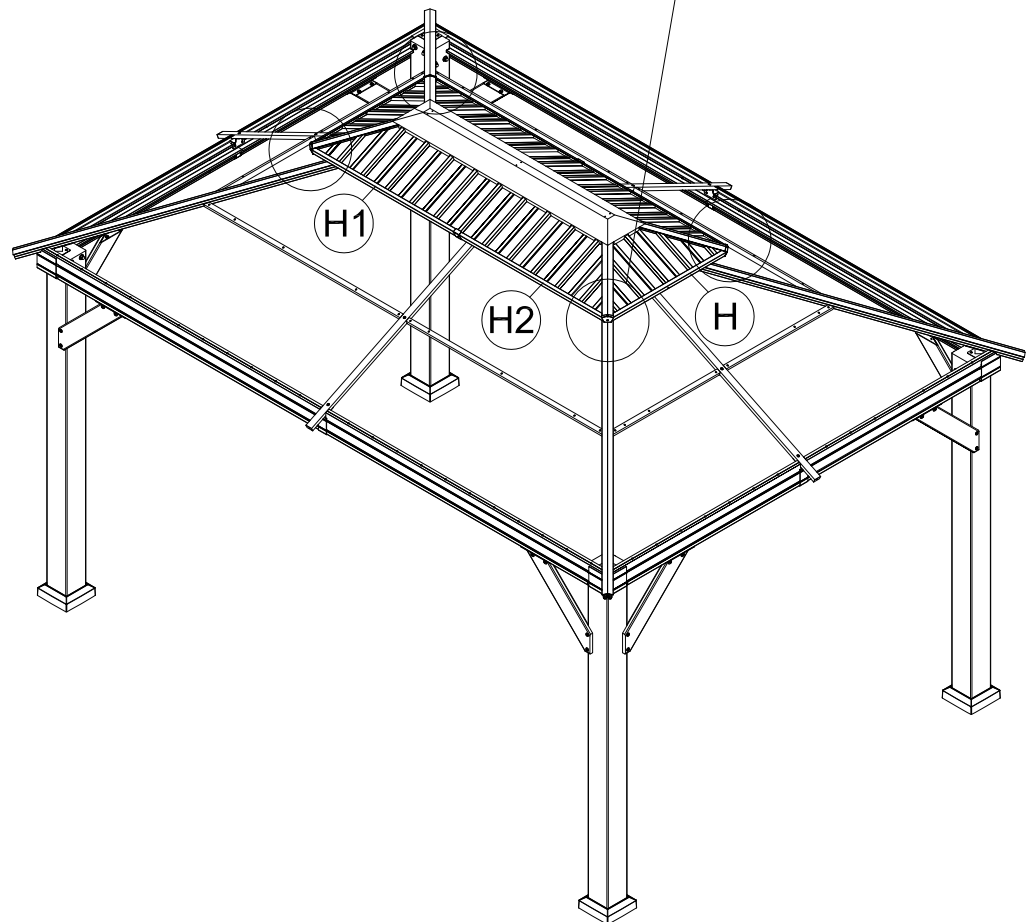
ST6.3x15

2 4x

(1) Place Part #H and Part #H2 on Part #E1;
put on Part #X3 and secure with Self-tapping Screw #2

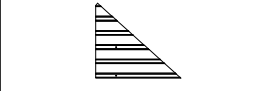


Outside View

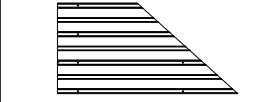


(2) Repeat the above procedures to assemble the other 3 corners.

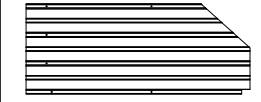
Cover Part #Z, #Z3, #Z4 to Roof Panels



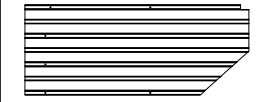
(M1) 2x



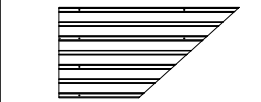
(M2) 2x



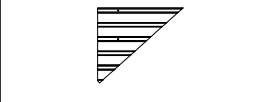
(M3) 2x



(M4) 2x



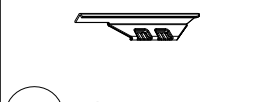
(M5) 2x



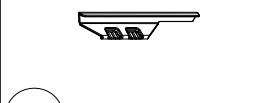
(M6) 2x



(Z) 24x

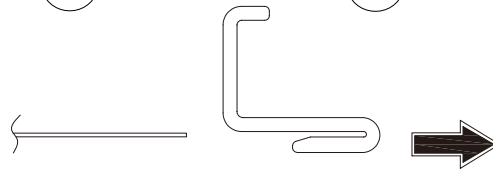
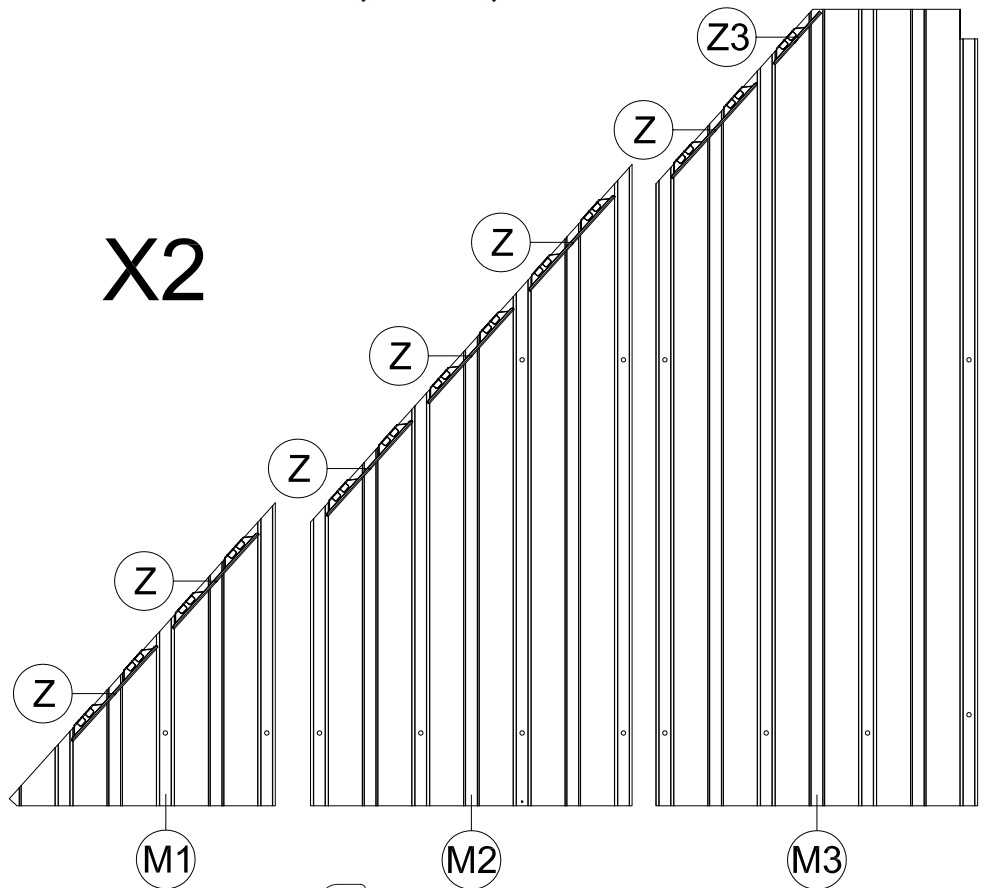


(Z3) 2x

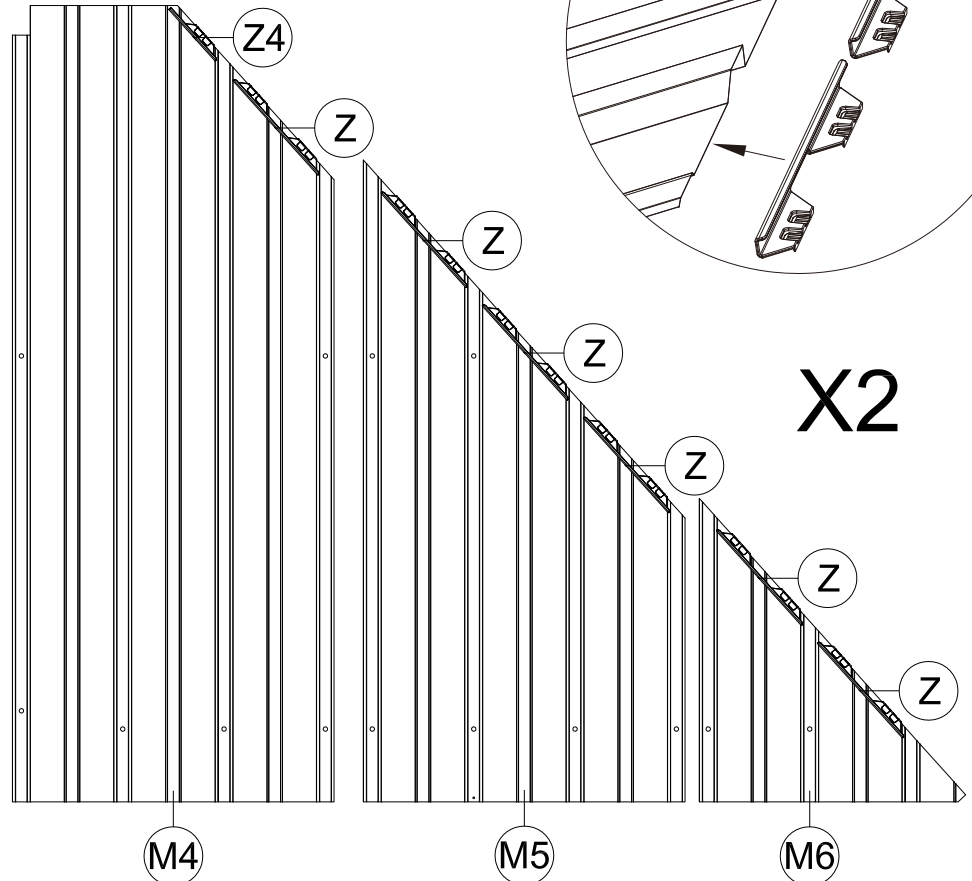
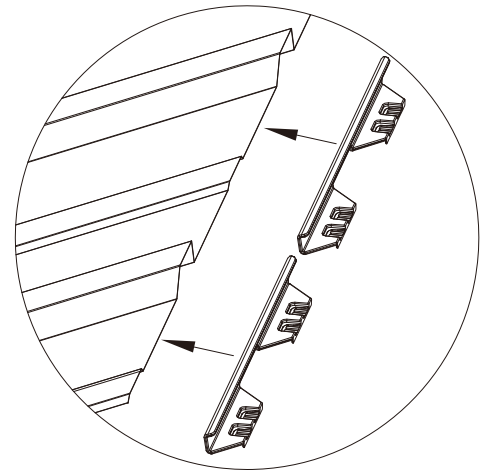


(Z4) 2x


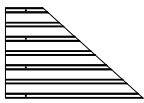
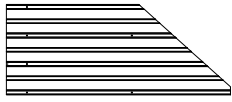

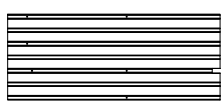


34

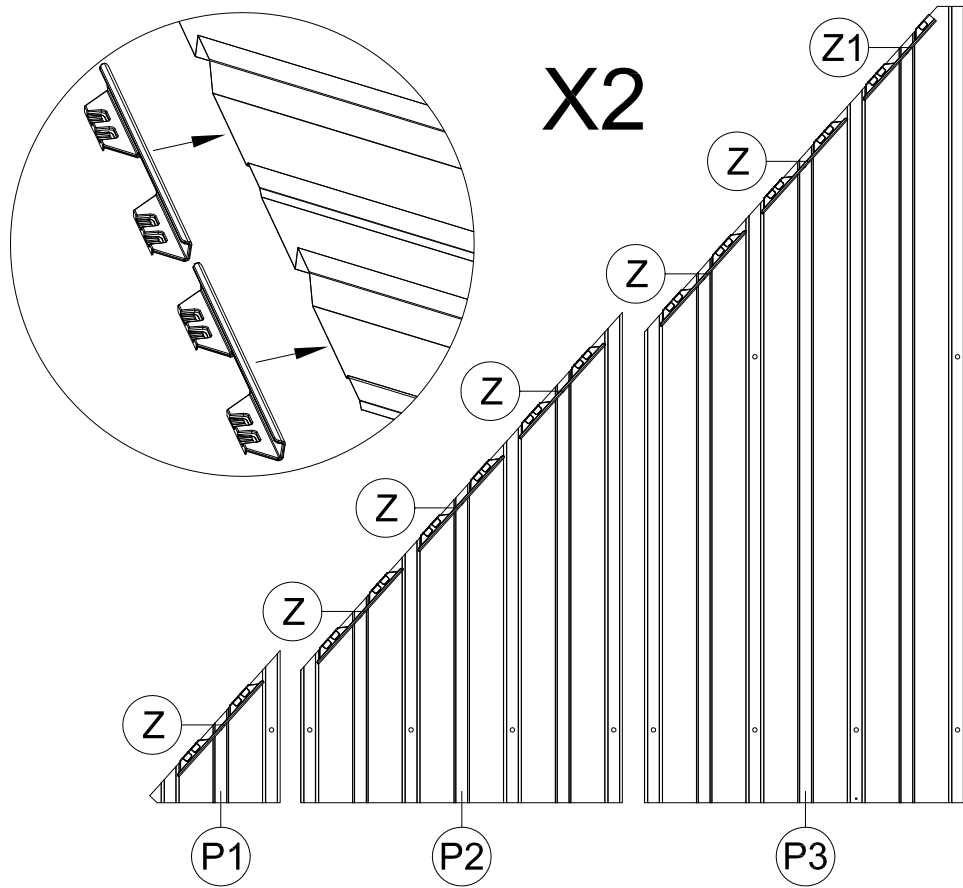


Section View

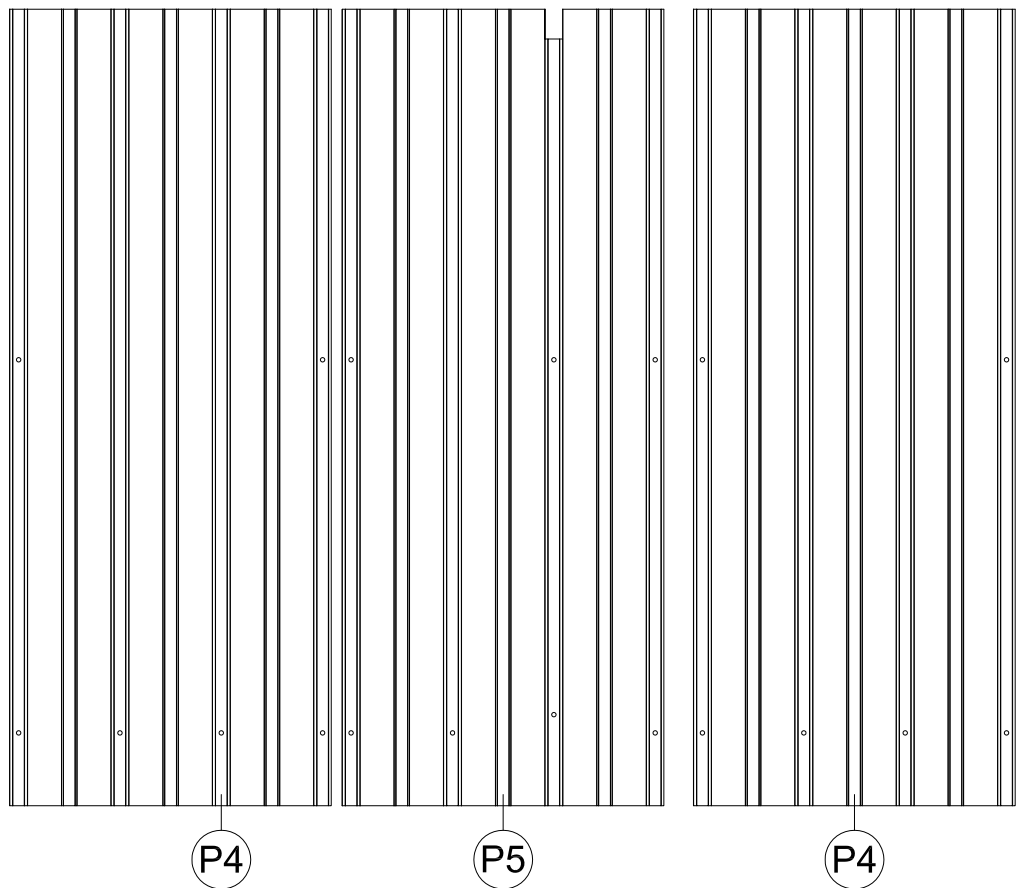


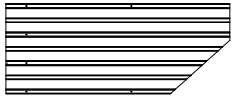
Cover Part #Z, #Z1 to Roof Panels

-  **(P1) 2x**
-  **(P2) 2x**
-  **(P3) 2x**
-  **(P4) 4x**
-  **(P5) 2x**
-  **(Z) 12x**
-  **(Z1) 2x**

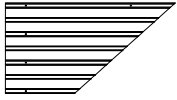


X2





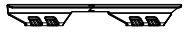
P6 2x



P7 2x



P8 2x

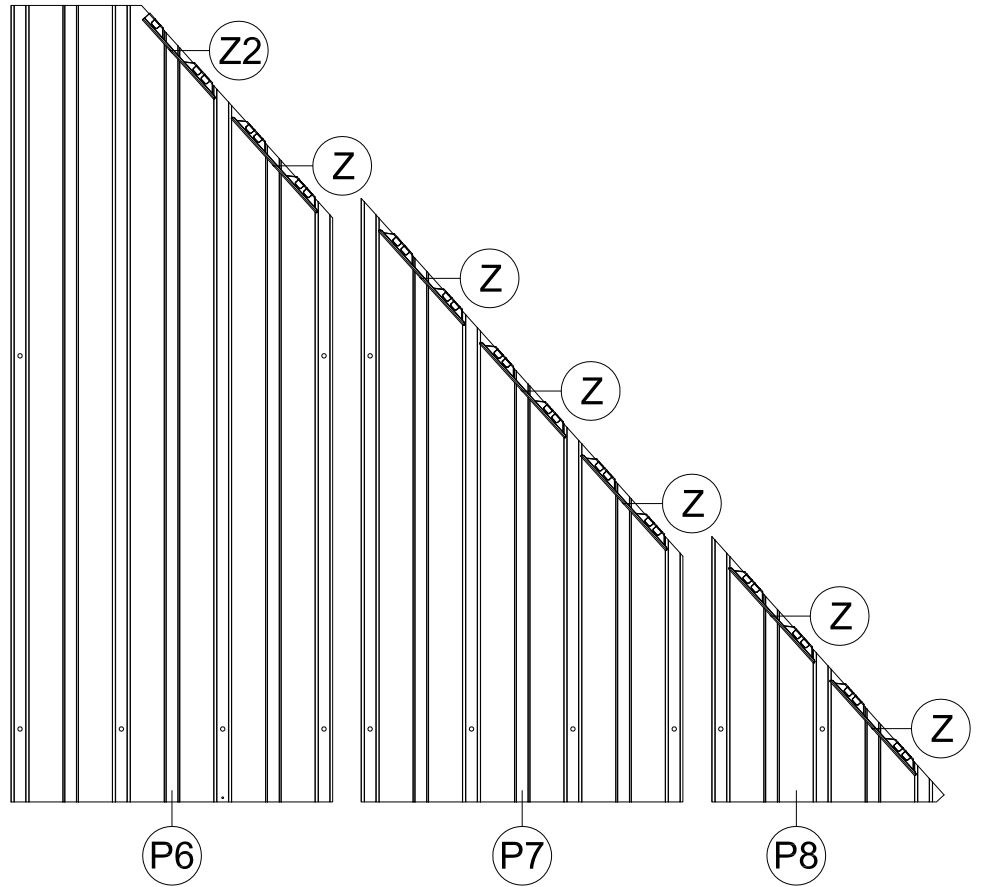
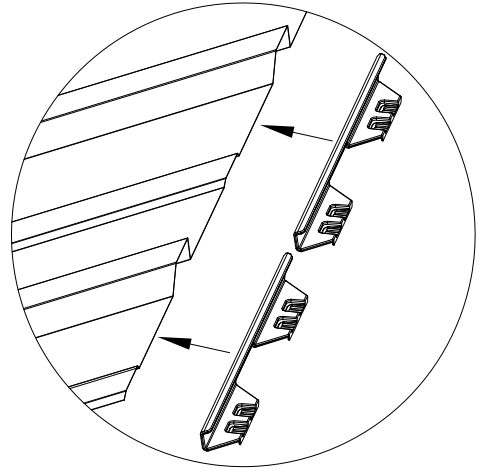


Z 12x

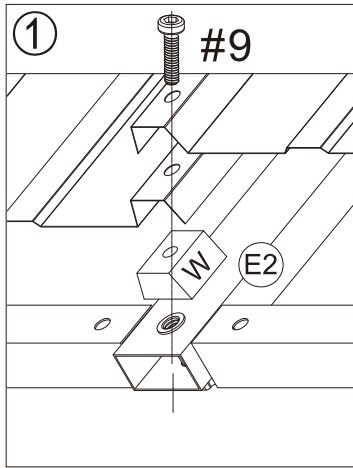


Z2 2x

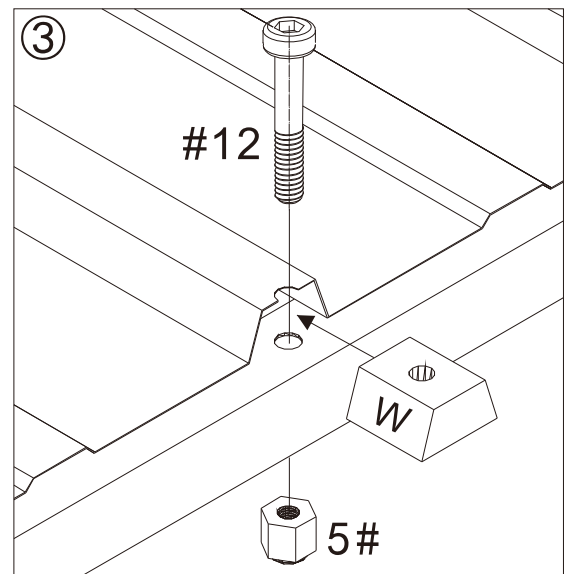
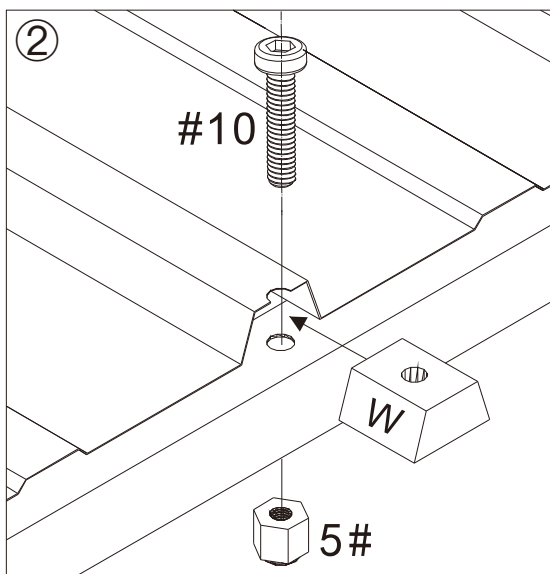
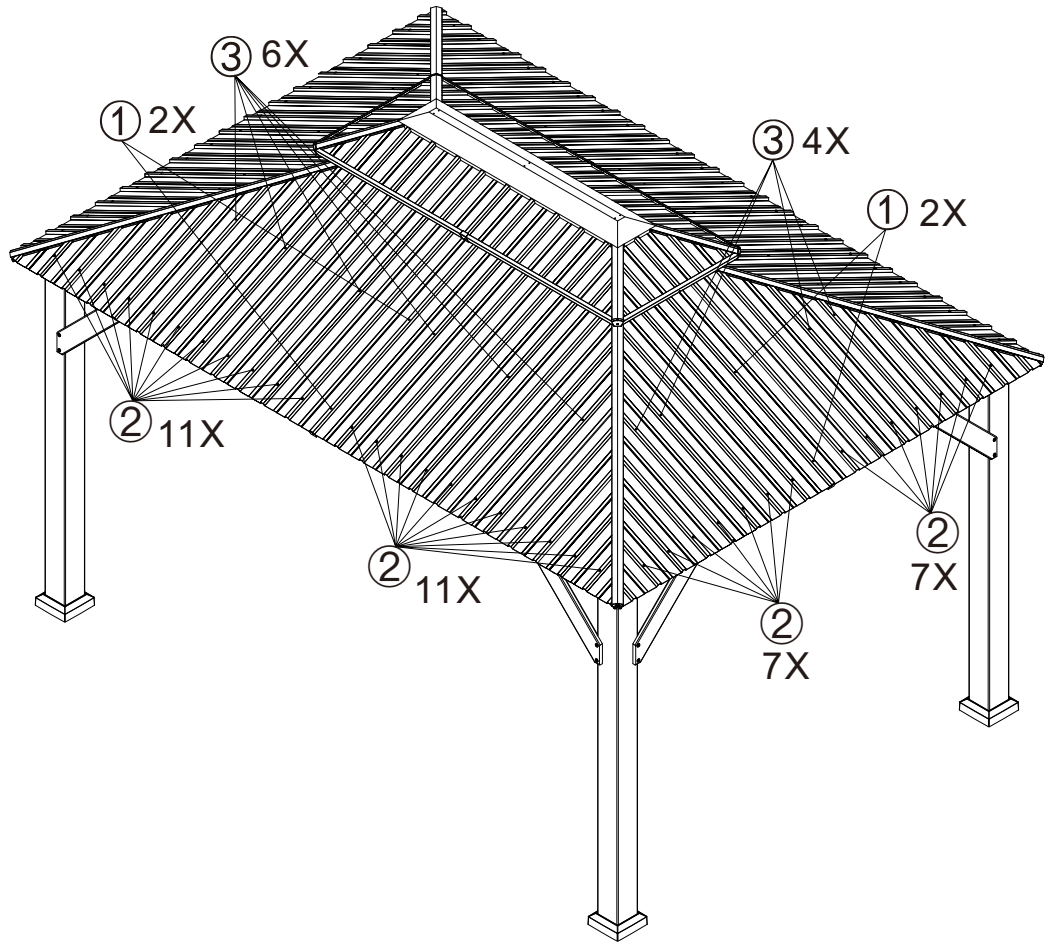
Cover Part #Z, #Z2 to Roof Panels

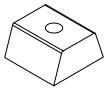


X2



▲ Part #W should be inserted between roof panels and solidifying bar or beams, then secure with bolts.





W 14x



1 1x



M6

5 14x



M6x28

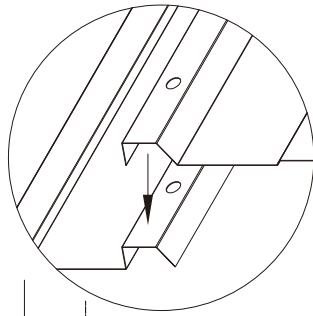
10 12x



M6x50

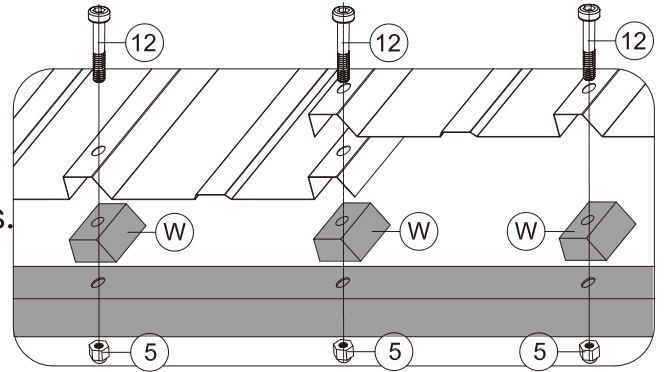
12 2x

ATTENTION: The bigger roof panel need to cover the smaller one.

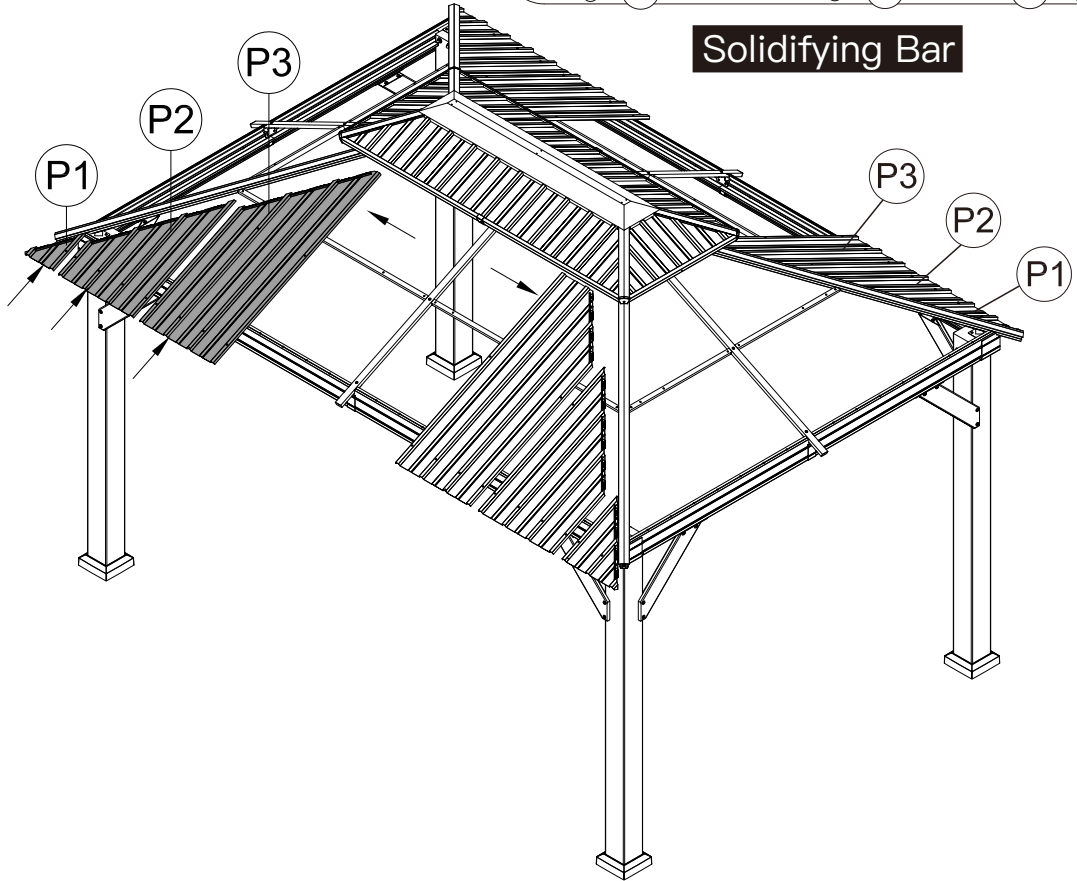


(1) Insert Part #P1,
Part #P2 and Part #P3 into the frame.

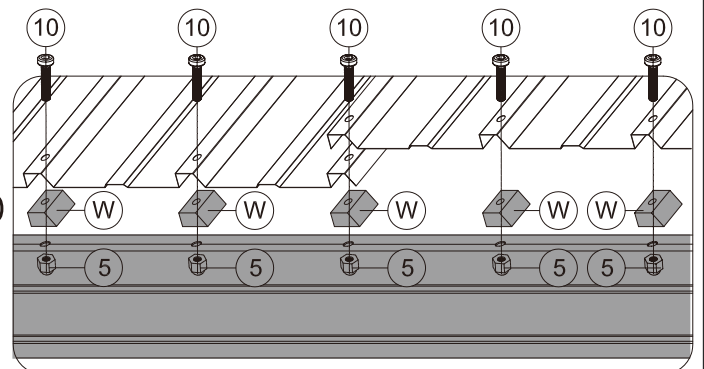
(3) Place 1 Part #W between
roof panels and solidifying bars.
Then secure with 1 Bolt #12
and 1 Nut #5.



Solidifying Bar

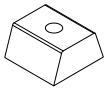


(2) Place 6 Part #W between
roof panels and beams.
Then secure with 6 Bolts #10
and 6 Nuts #5.



Beam

(4) Repeat the above procedures to assemble the opposite side.



W 16x



1 1x



M6

5 16x



M6x28

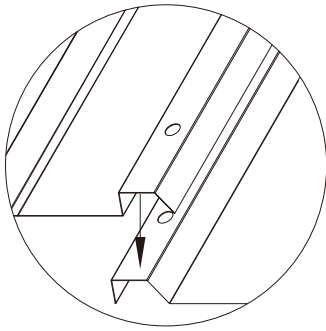
10 14x



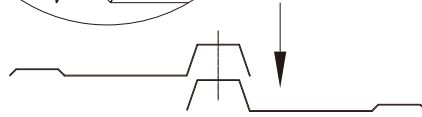
M6x50

12 2x

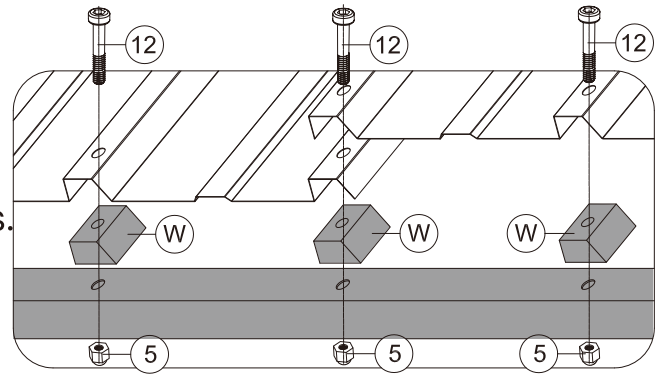
ATTENTION: The bigger roof panel need to cover the smaller one.



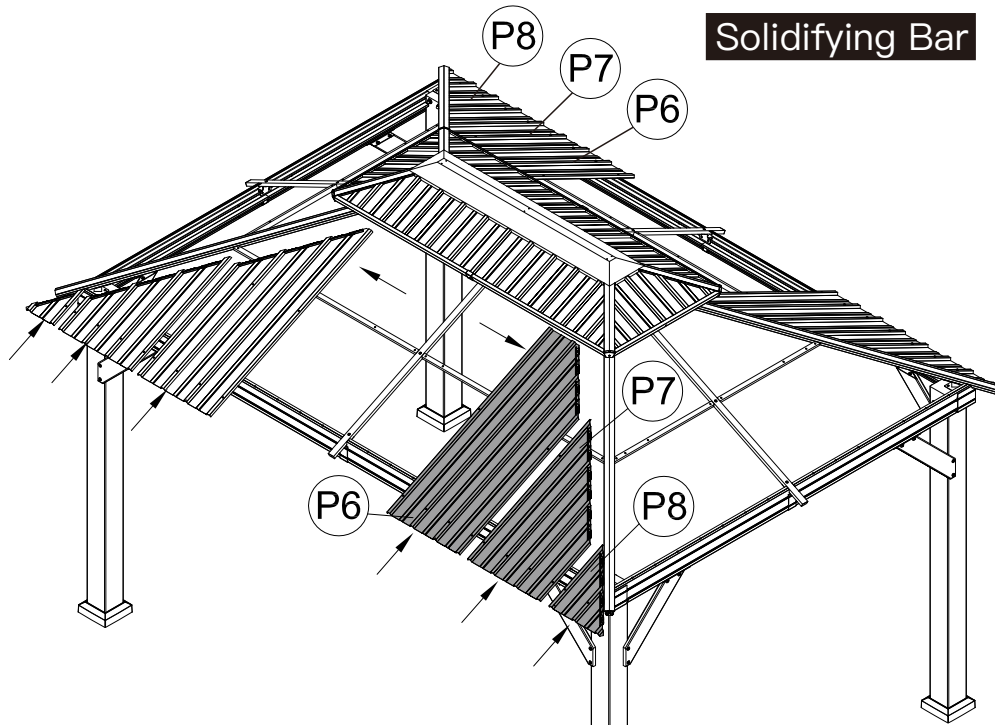
(1) Insert Part #P8,
Part #P7 and Part #P6 into the frame.



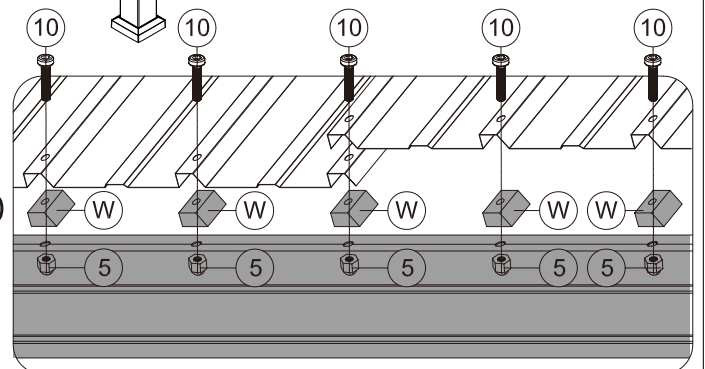
(3) Place 1 Part #W between
roof panels and solidifying bars.
Then secure with 1 Bolt #12
and 1 Nut #5.



Solidifying Bar

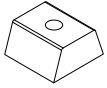


(2) Place 7 Part #W between
roof panels and beams.
Then secure with 7 Bolts #10
and 7 Nuts #5.

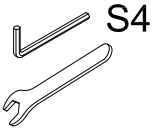


Beam

(4) Repeat the above procedures to assemble the opposite side.



W 26x



1 1x



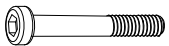
M6

5 26x



M6x28

10 18x



M6x50

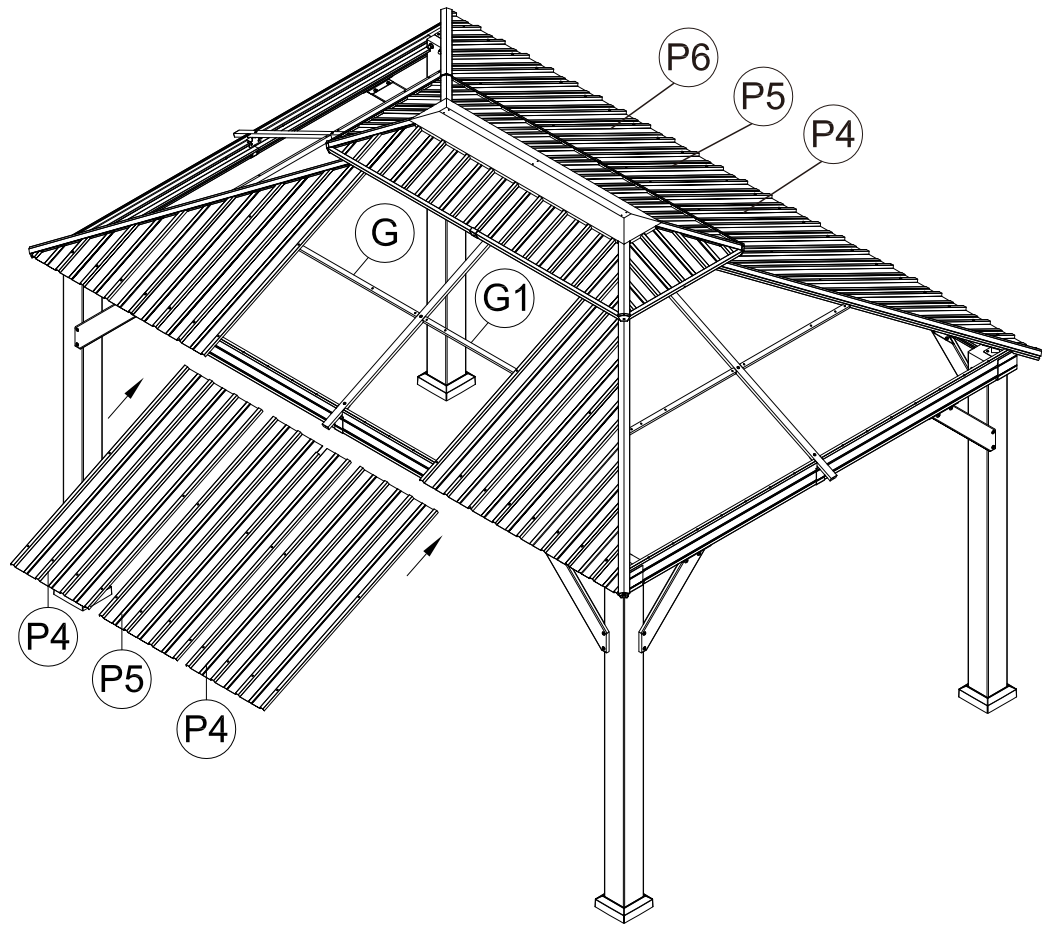
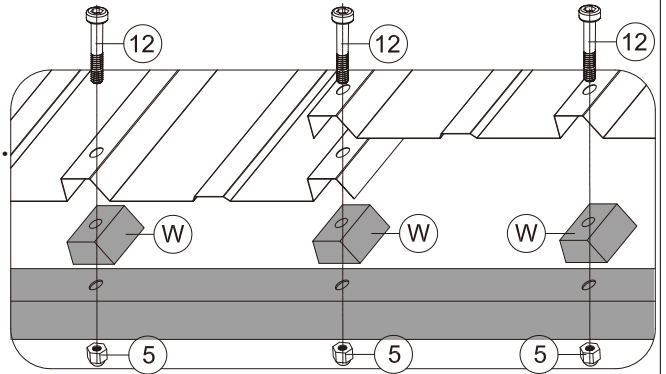
12 8x

ATTENTION: The bigger roof panel need to cover the smaller one.

(1) Insert Part #P5, and 2 Parts #P4 into the frame.

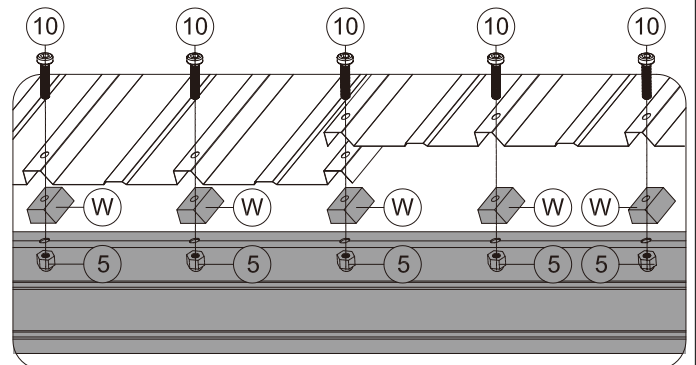
(2) Place 4 Parts #W between roof panels and solidifying bars. Then secure with 4 Bolts #12 and 4 Nuts #5.

Solidifying Bar

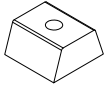


(3) Place 9 Parts #W between roof panels and beams. Then secure with 9 Bolts #10 and 9 Nuts #5.

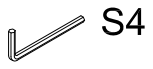
Beam



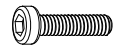
(4) Repeat the above procedures to assemble the opposite side.



W 4x

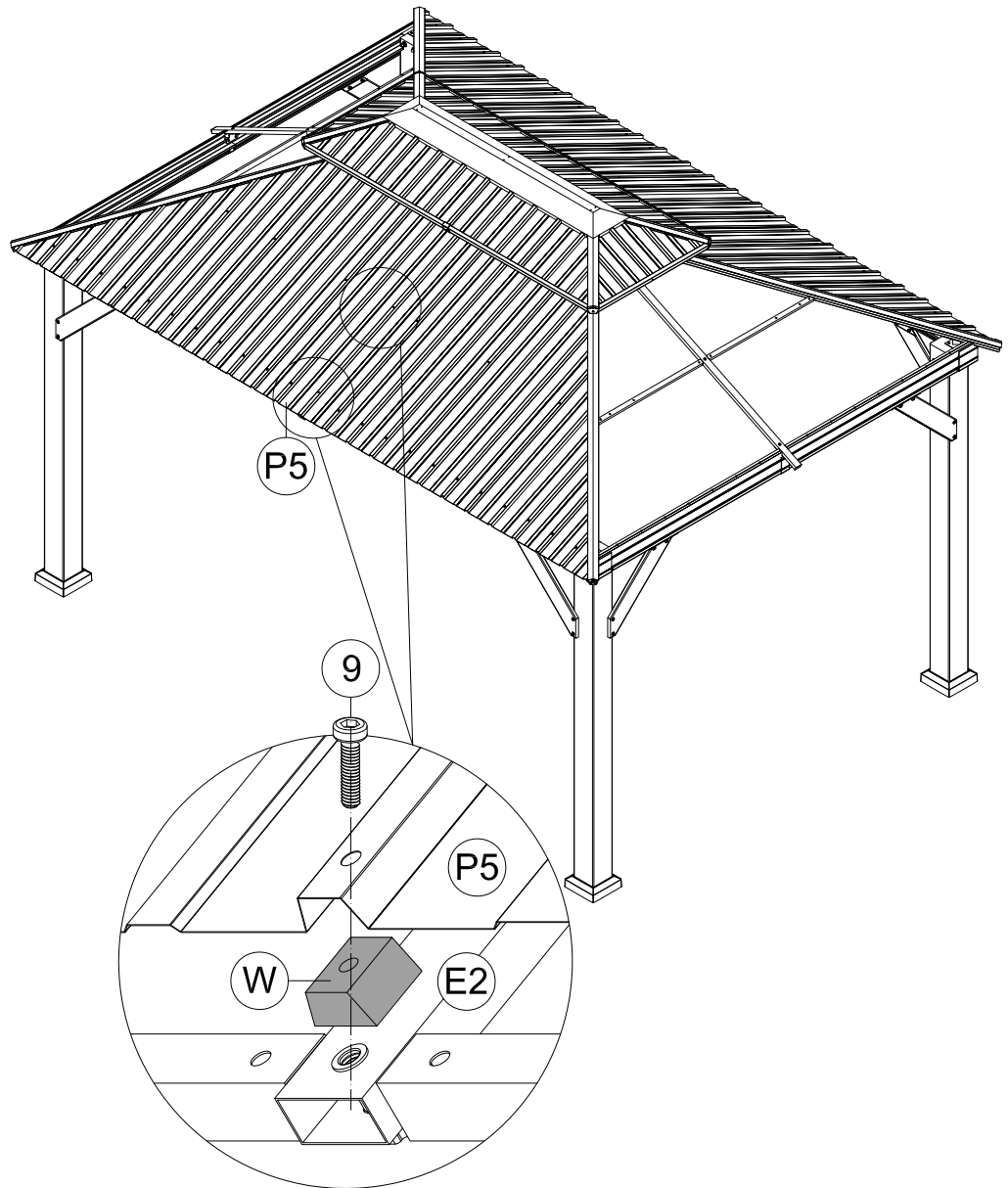


1 1x



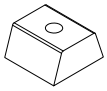
M6x25

9 4x

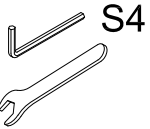


(1) Place 2 Parts #W between Part #P5 and Part #E2.
Then secure with 2 Bolts #9.

(2) Repeat the above procedures to assemble the opposite side.



(W) 20x



(1) 1x



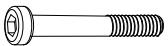
M6

(5) 20x



M6x28

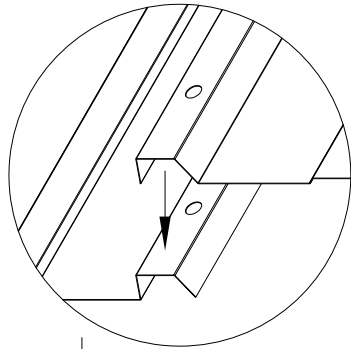
(10) 16x



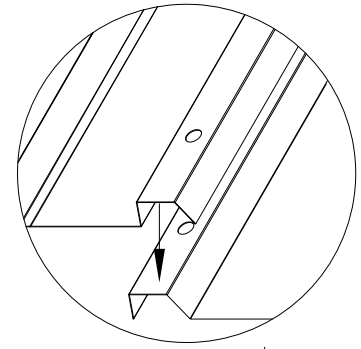
M6x50

(12) 4x

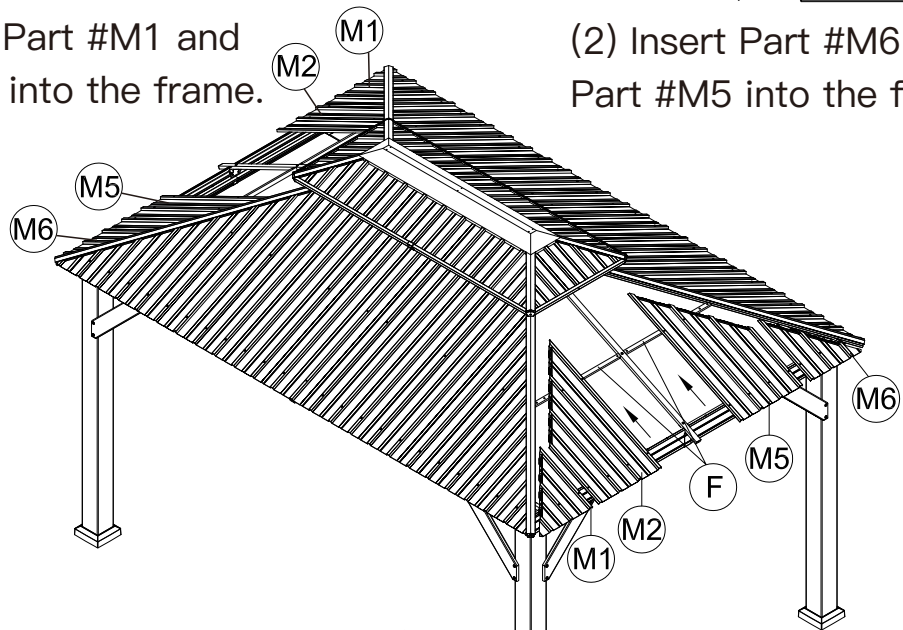
ATTENTION: The bigger roof panel need to cover the smaller one.



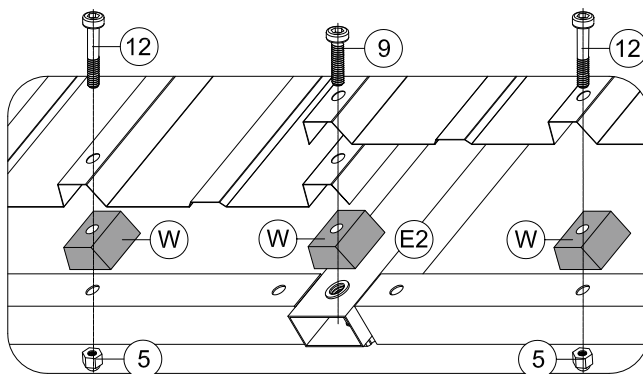
(1) Insert Part #M1 and Part #M2 into the frame.



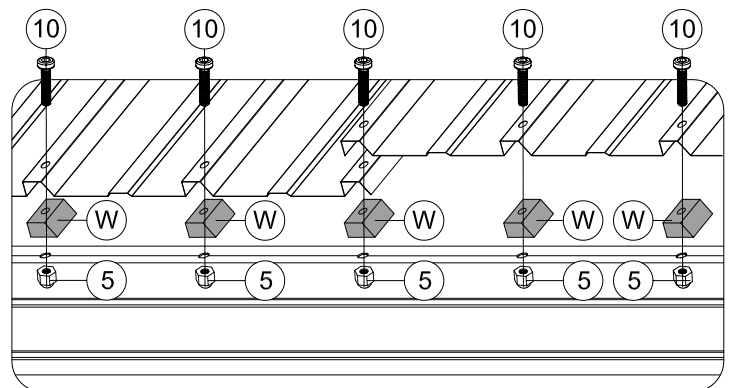
(2) Insert Part #M6 and Part #M5 into the frame.



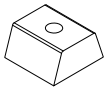
(3) Place 2 Parts #W between roof panels and solidifying bars. Then secure with 2 Bolts #12 and 2 Nuts #5.



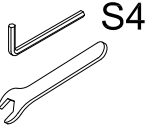
(4) Place 8 Parts #W between roof panels and beams. Then secure with 8 Bolts #10 and 8 Nuts #5.



(5) Repeat the above procedures to assemble the opposite side.



W 16x



1 1x



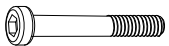
M6

5 16x



M6x28

10 12x

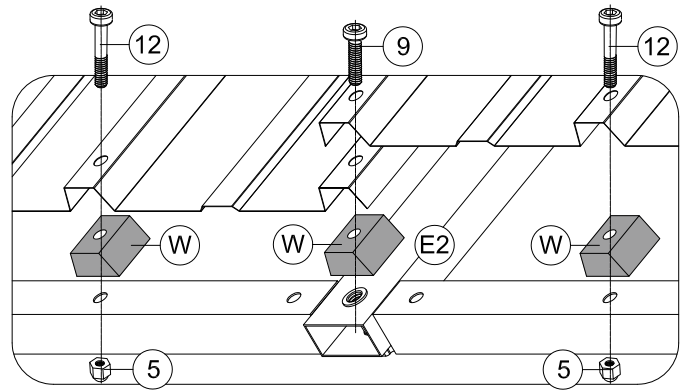
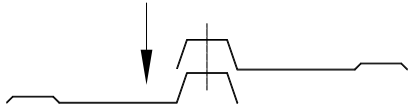


M6x50

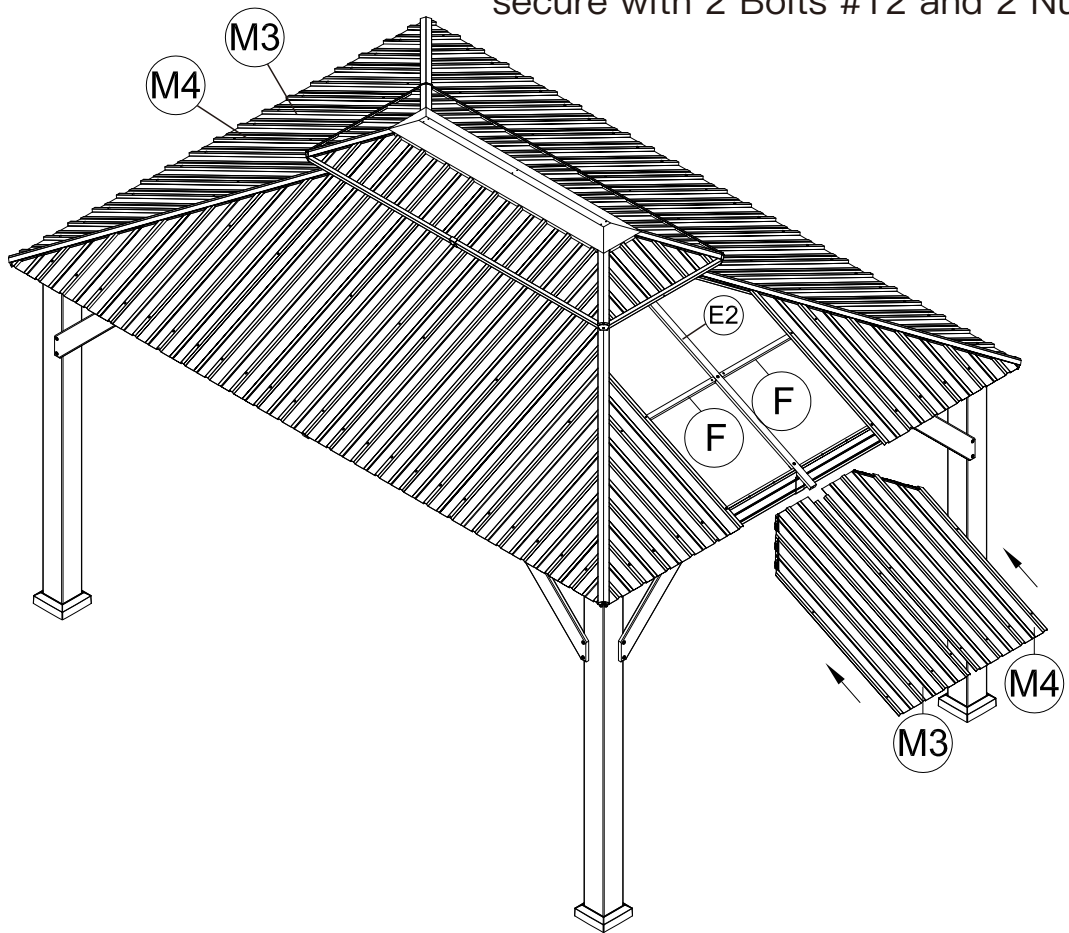
12 4x

ATTENTION: The bigger roof panel need to cover the smaller one.

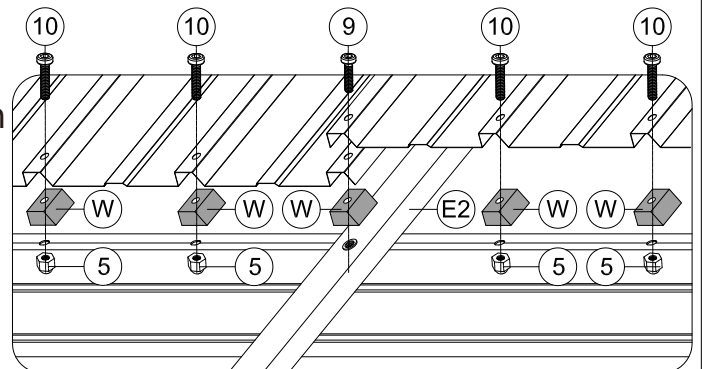
(1) Insert Part #M3 and Part #M4 into the frame.



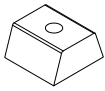
(2) Place 2 Parts #W between roof panels and solidifying bars. Then secure with 2 Bolts #12 and 2 Nuts #5.



(3) Place 6 Parts #W between roof panels and beams. Then secure with 6 Bolts #10 and 6 Nuts #5.



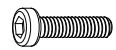
(4) Repeat the above procedures to assemble the opposite side.



W 4x



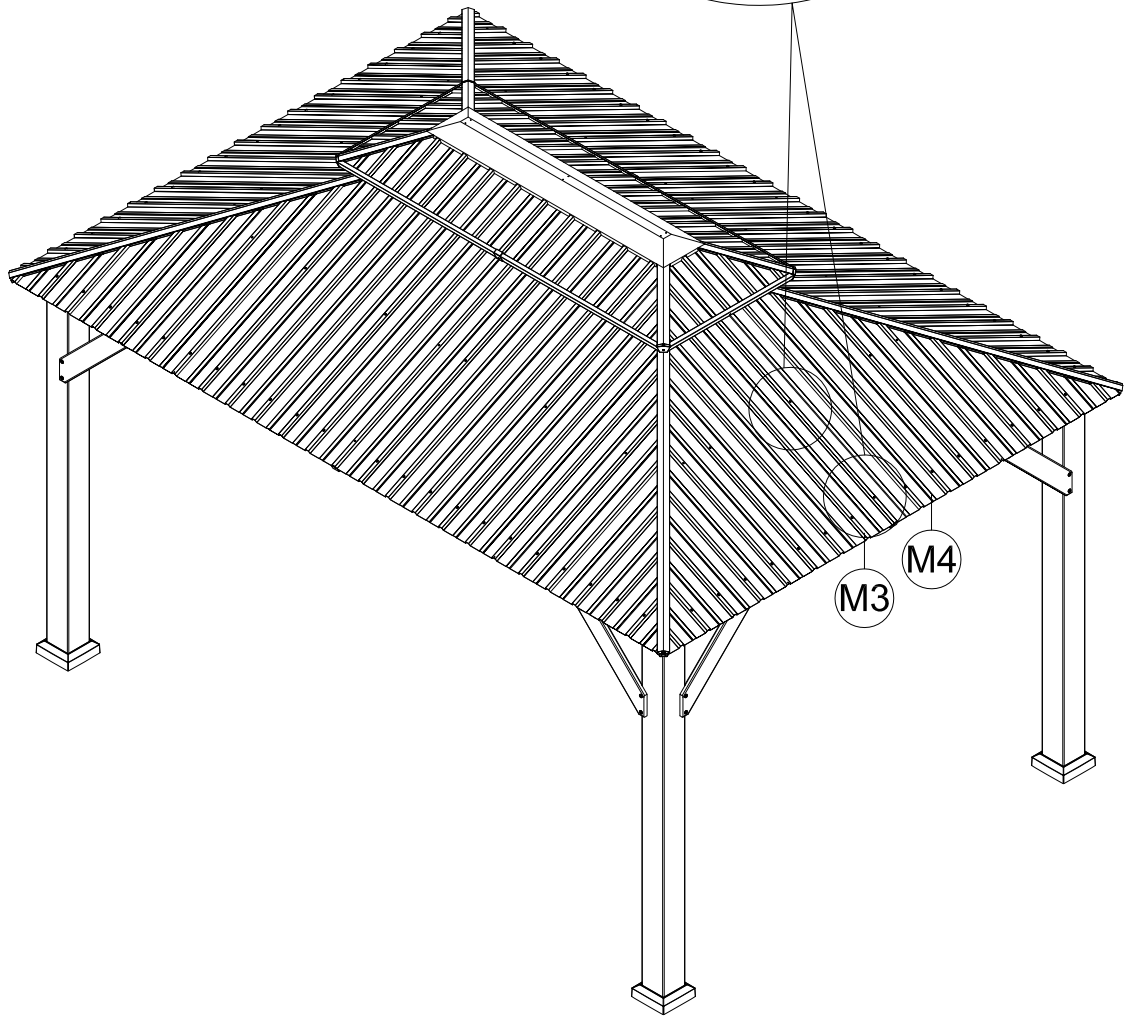
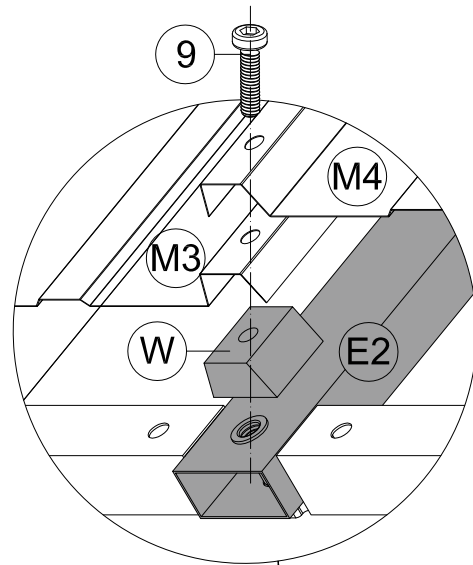
1 1x



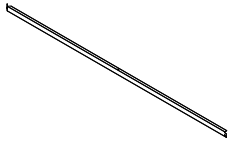
M6x25

9 4x

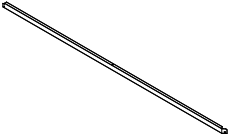
(1) Place 2 Parts #W between Part #M3/M4 and Part #E2. Then secure with 2 Bolts #9.



(2) Repeat the above procedures to assemble the opposite side.



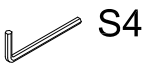
K2 2x



K3 2x



X2 2x

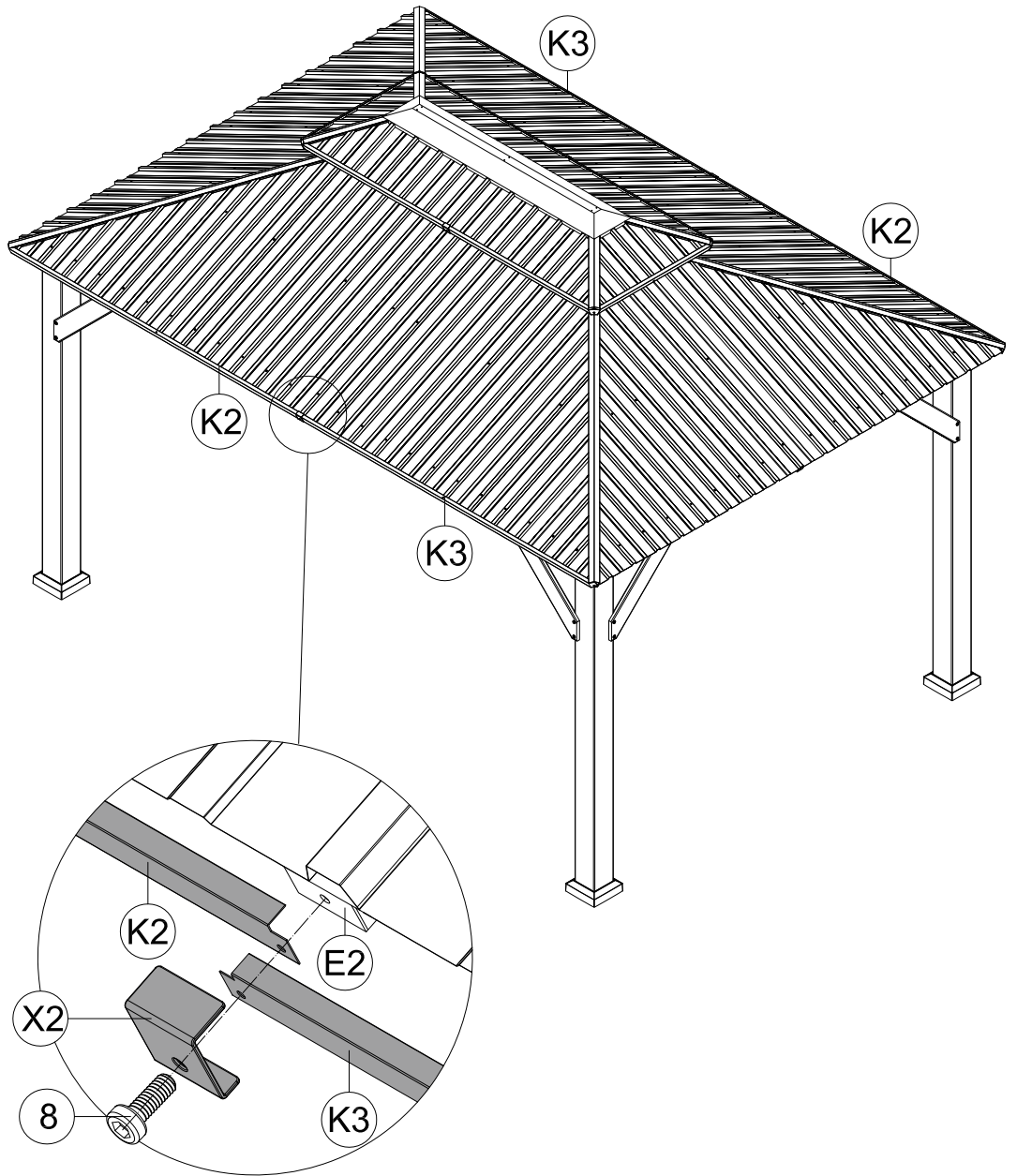


1 1x



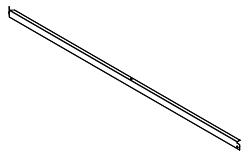
M6x16

8 2x

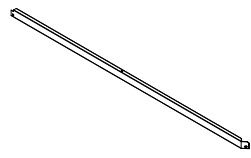


(1) Place Part #K2 and Part #K3 on Part #E2;
Put on Part #X2 and secure with Bolt #8.

(2) Repeat the above procedures to assemble the opposite side.



(K) 2x



(K1) 2x



(X2) 2x



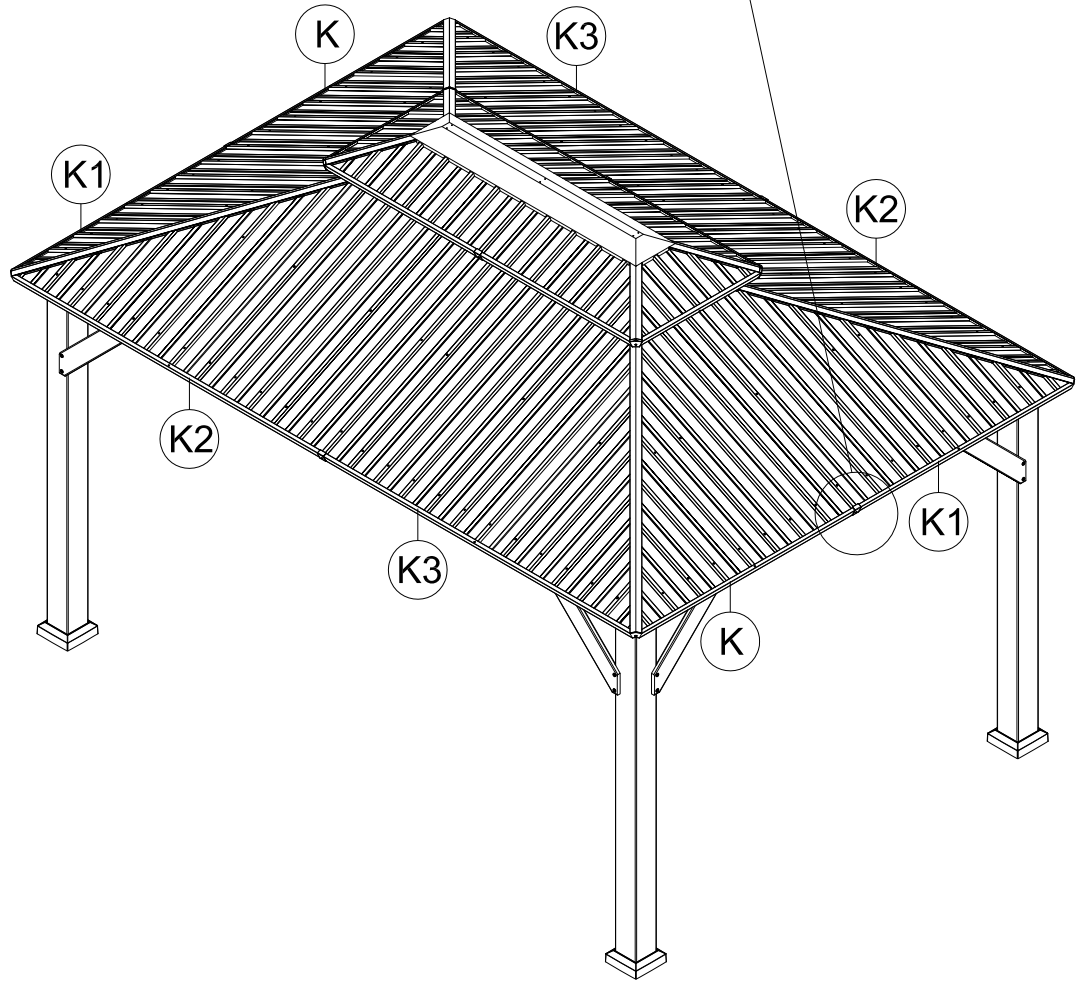
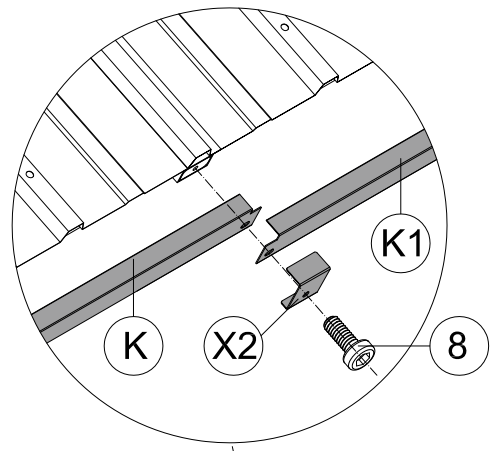
(1) 1x



M6x16

(8) 2x

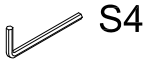
(1) Place Part #K and Part #K1 on Part #E2;
Put on Part #X2 and secure with Bolt #8.



(2) Repeat the above procedures to assemble the opposite side.



X3 4x

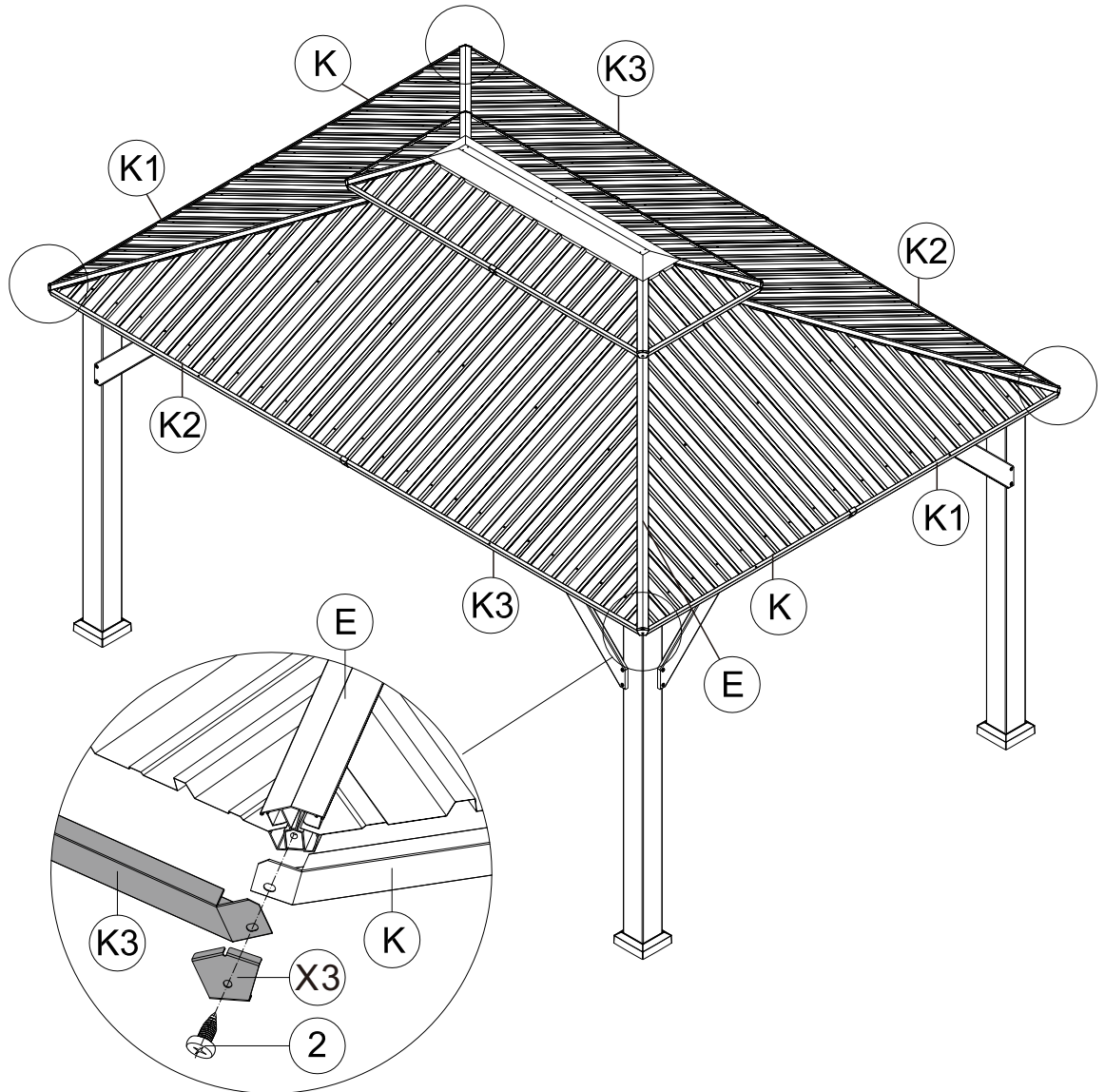


1 1x



ST6.3x15

2 4x



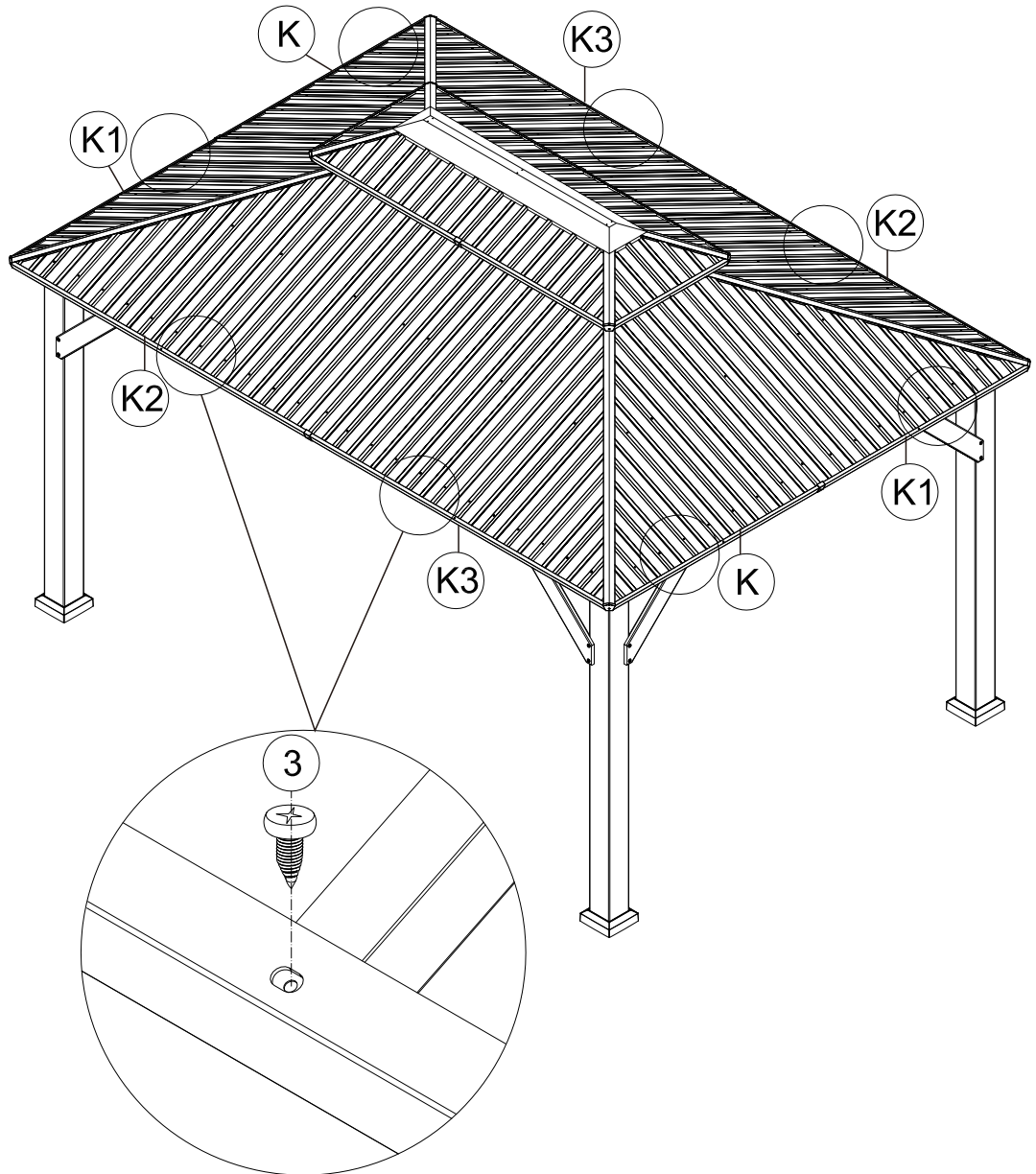
(1) Place Part #K3 and Part #K on Part #E;
Put on Part #X3 and secure with Self-tapping Screw #2.

(2) Repeat the above procedures to assemble the other 3 corners.



ST5x16

3 8x

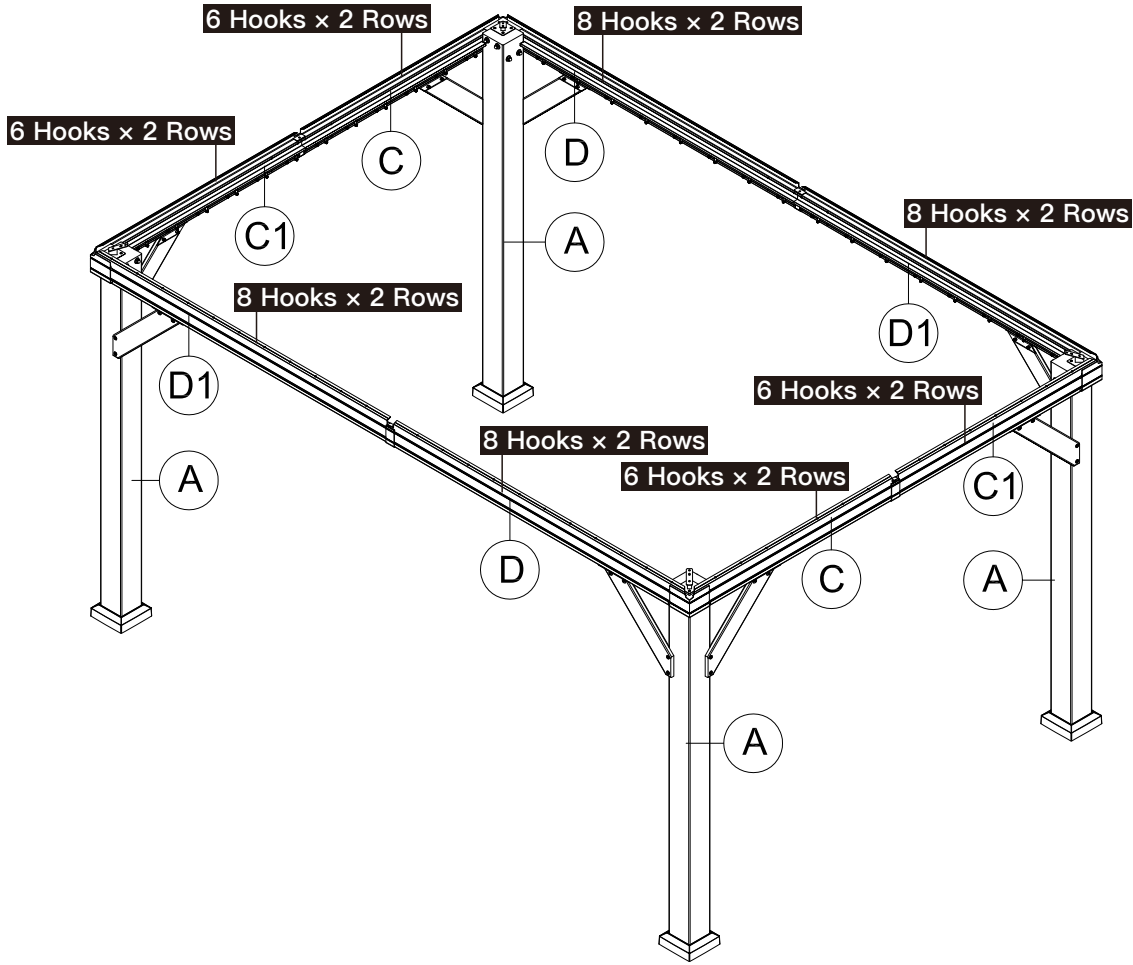
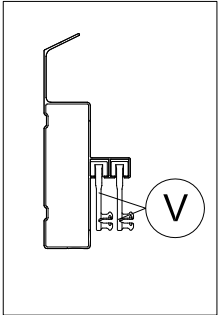


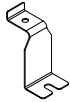





(1) Attach roof panels to finishing bars with 2 Self-tapping Screws #3.

(2) Repeat the above procedures to assemble the other 3 sides.

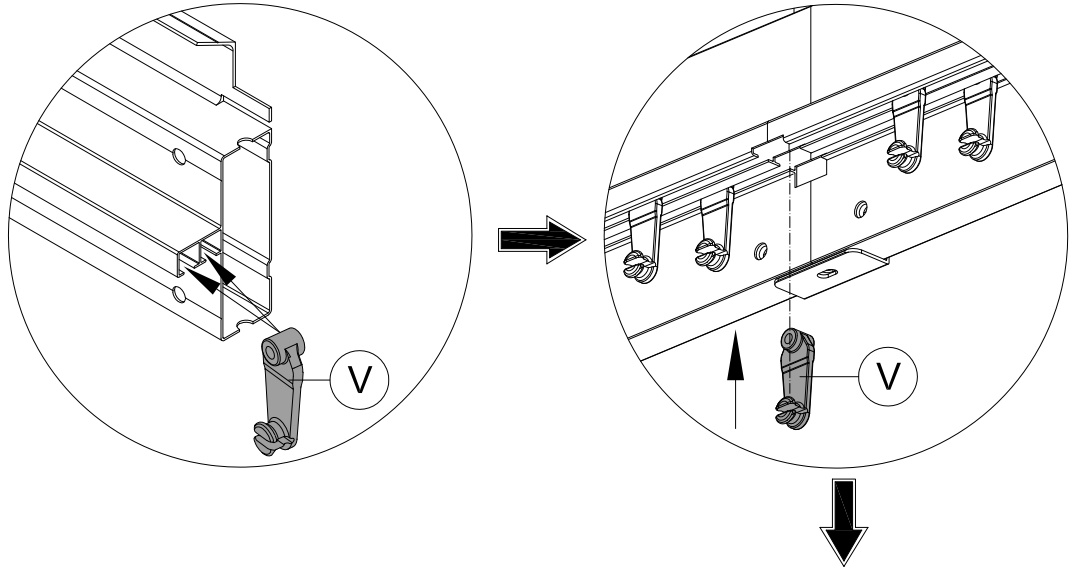
How to Put the 112 Hooks into the **Double-track**

Double-track

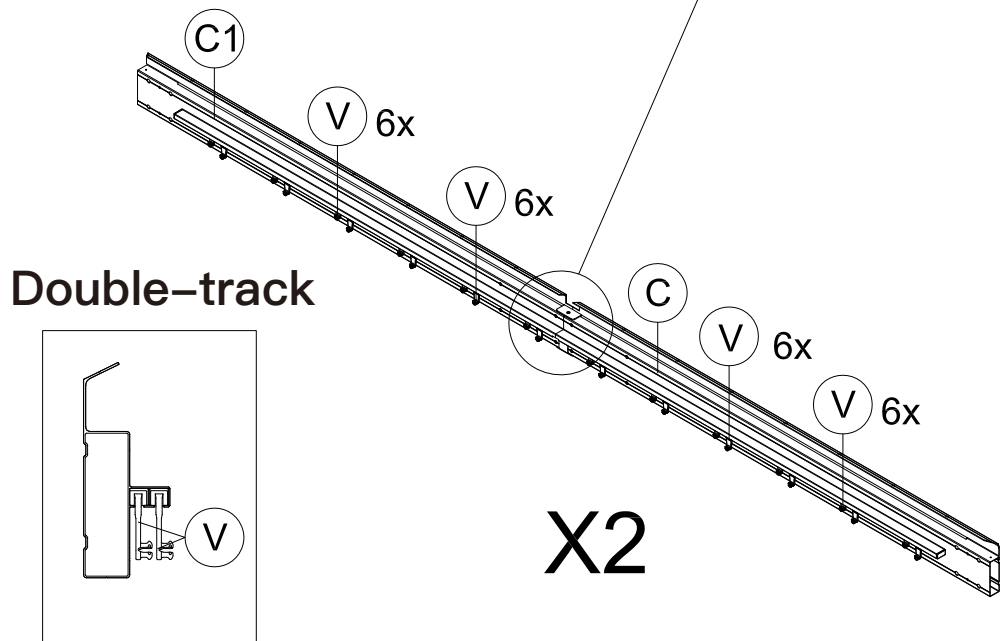
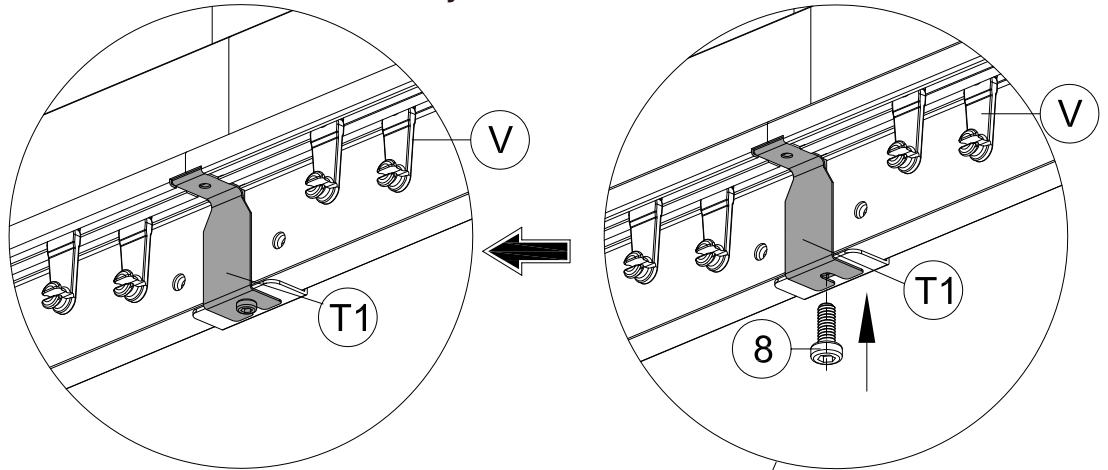


	(T1) 2x
	(V) 48x
	S4
	(1) 1x
	M6x16
	(8) 4x

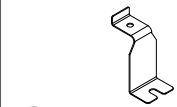
(1) Place 6 hooks on each slot of the Sidewall Track(C1&C).



(2) Install Part #T1 at the joint of Part C&C1 with Bolt #8.



(3) Repeat the above procedures to assemble the opposite side.



T1 2x



V 64x



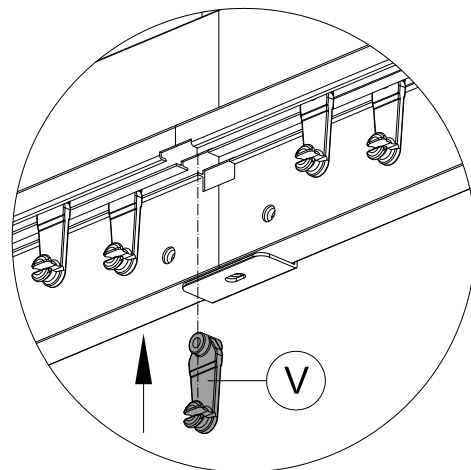
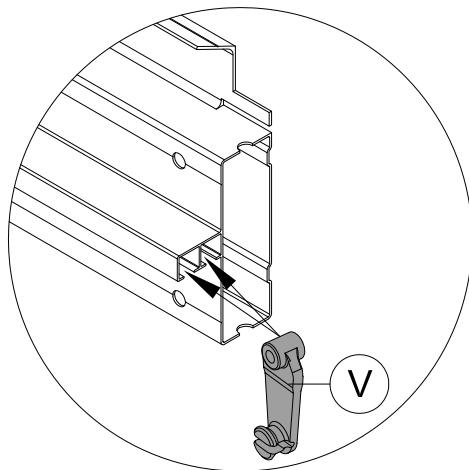
1 1x



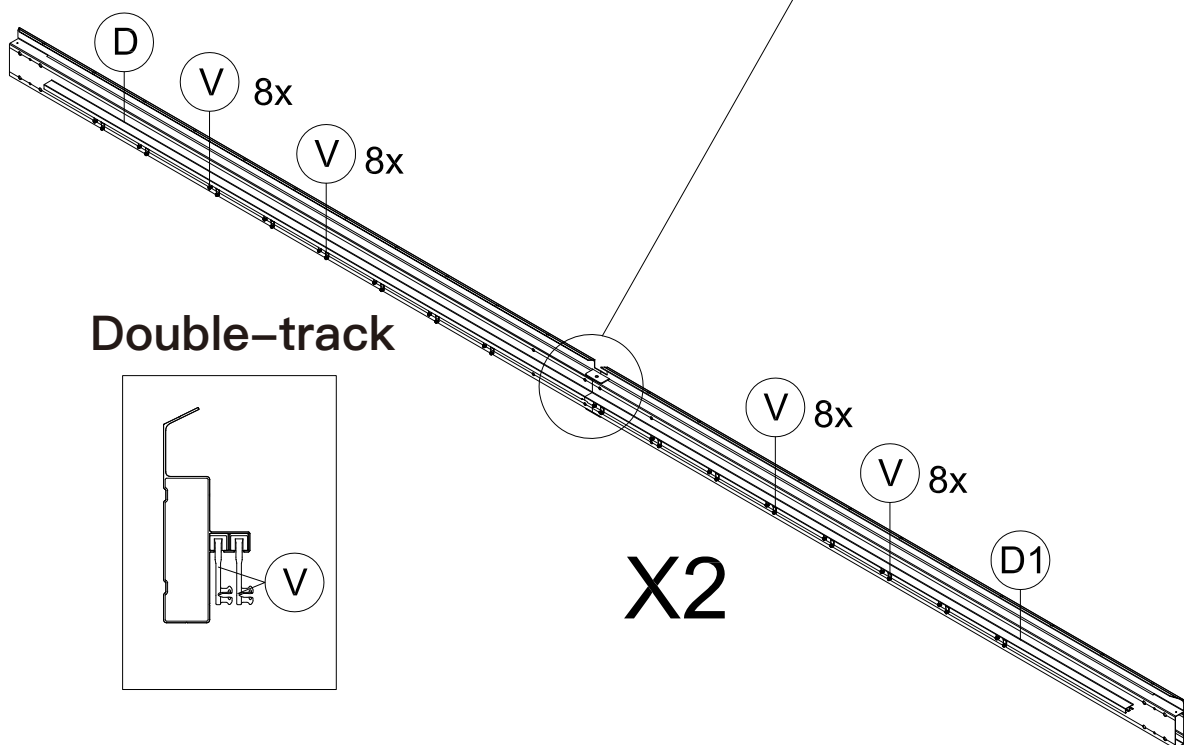
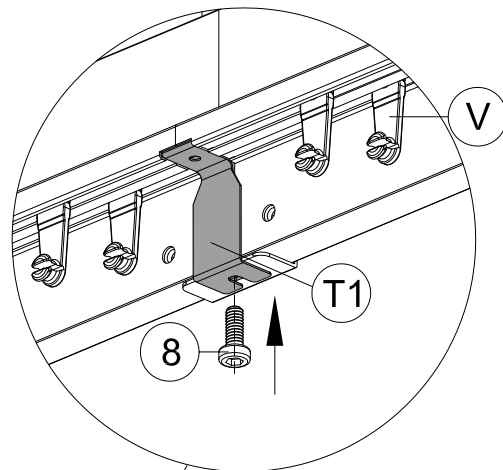
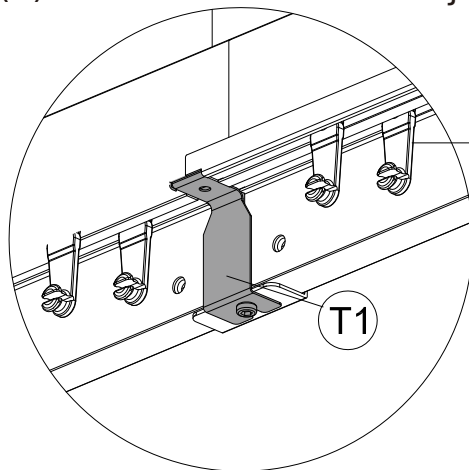
M6x16

8 4x

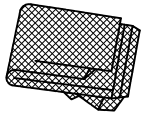
(1) Place 8 hooks on each slot of the Sidewall Track(D&D1).



(2) Install Part #T1 at the joint of Part D&D1 with Bolt #8.

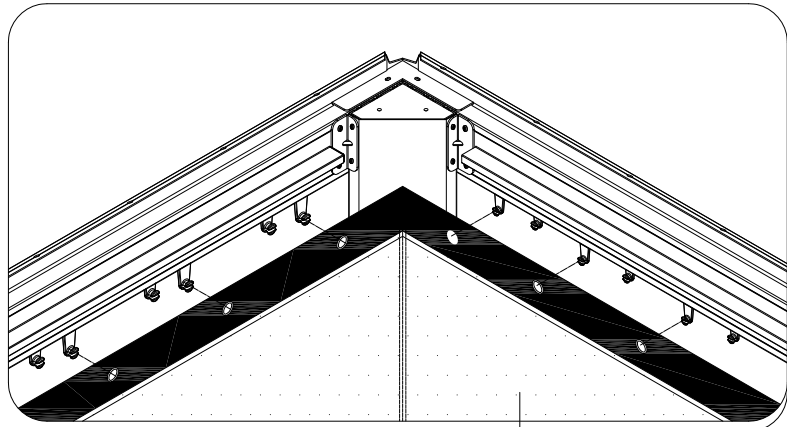


(3) Repeat the above procedures to assemble the opposite side.



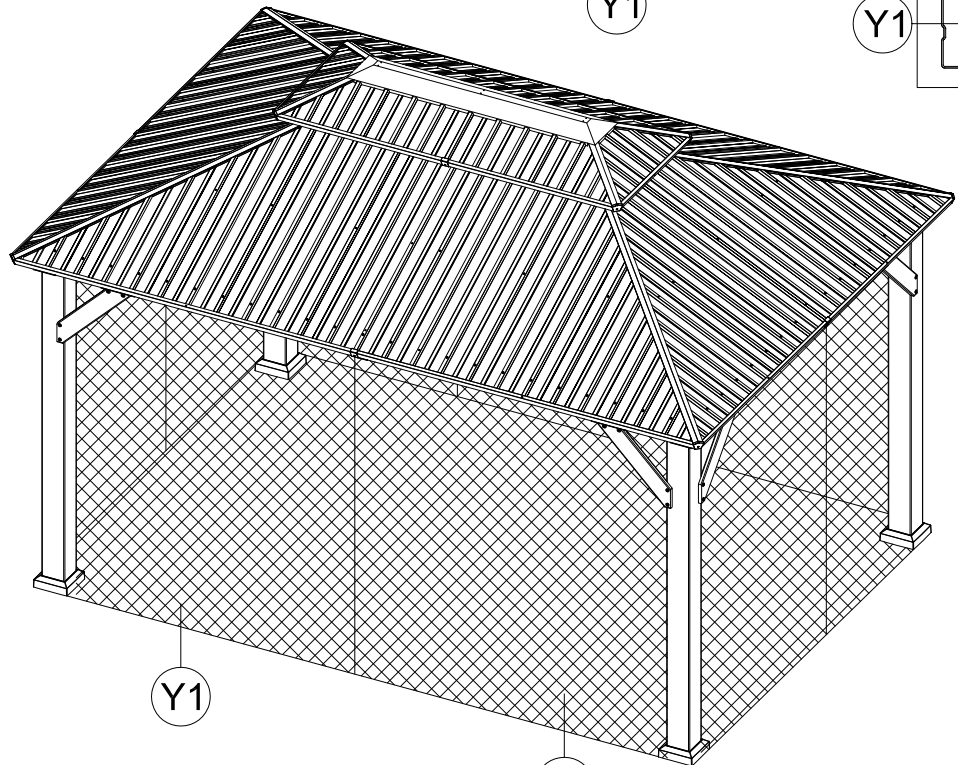
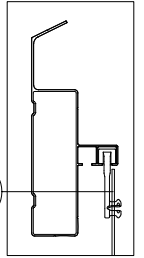
Y1 4x

Hang up Mosquito Sidewalls to **Inside Track**



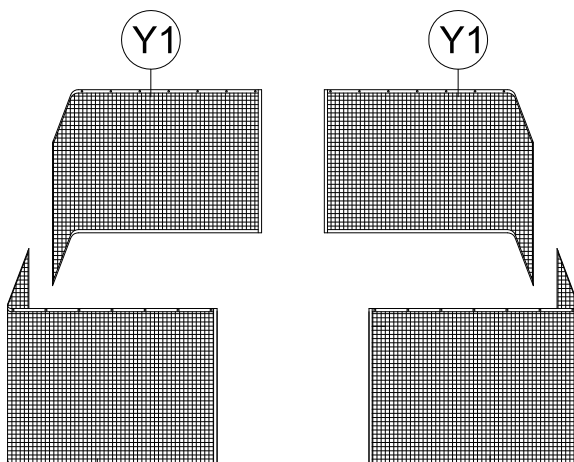
Y1

Y1



Y1

Y1

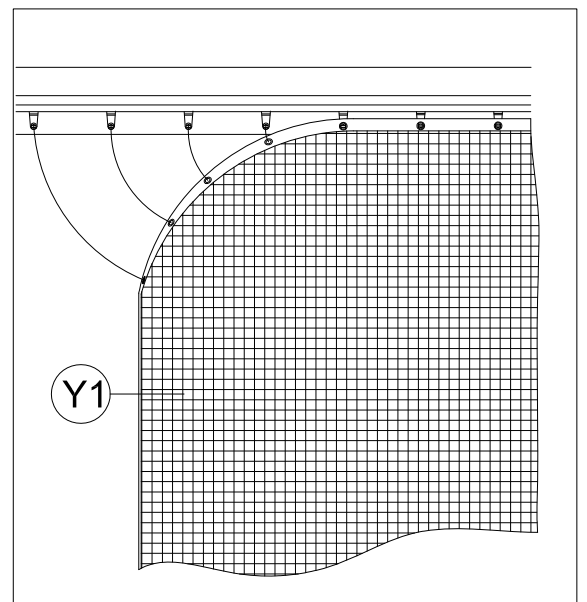


Y1

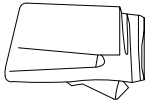
Y1

Y1

Y1

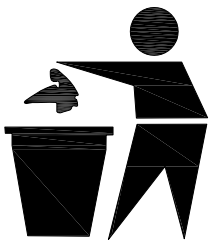
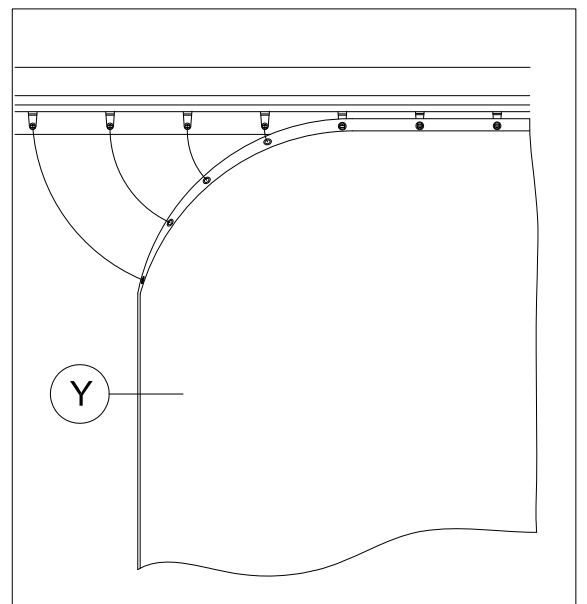
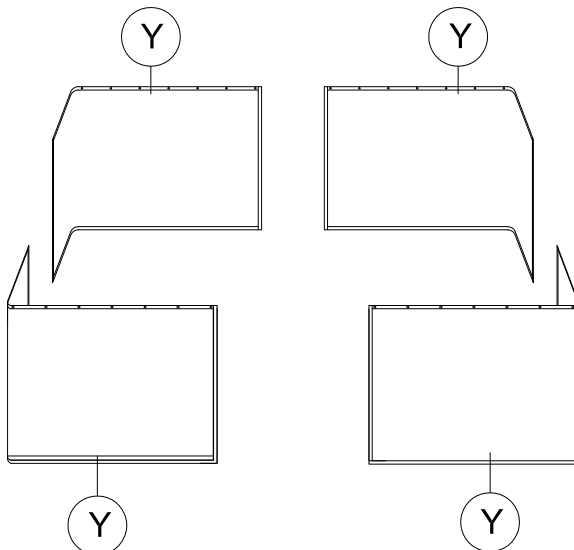
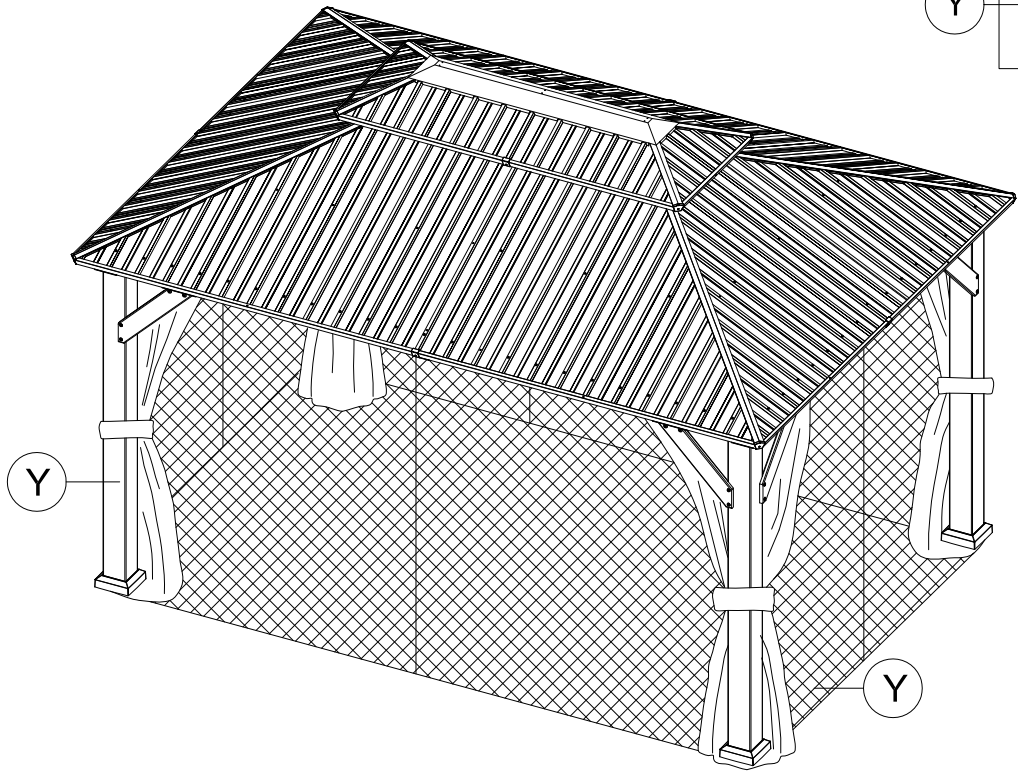
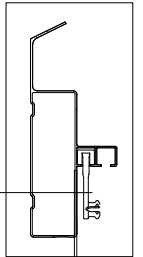
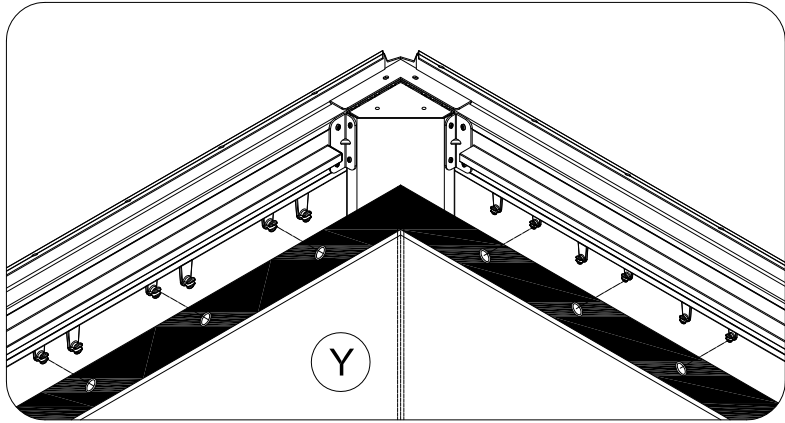


Y1



Y 4x

Hang up Solid Sidewalls to **Outside Track**



Thanks for your purchase.

At domi outdoor living, we believe in our products.

That's why we provide a 12-month warranty and

friendly, easy-to-reach after-sales service. So if you

have any questions about our product and assembly-

,please feel free to contact us. We will be here for you.

Support:  

After-sales contact email:

service@domioutdoorliving.com

Please tell us your order ID when contact.

Attach photos of damaged part for instant reply.