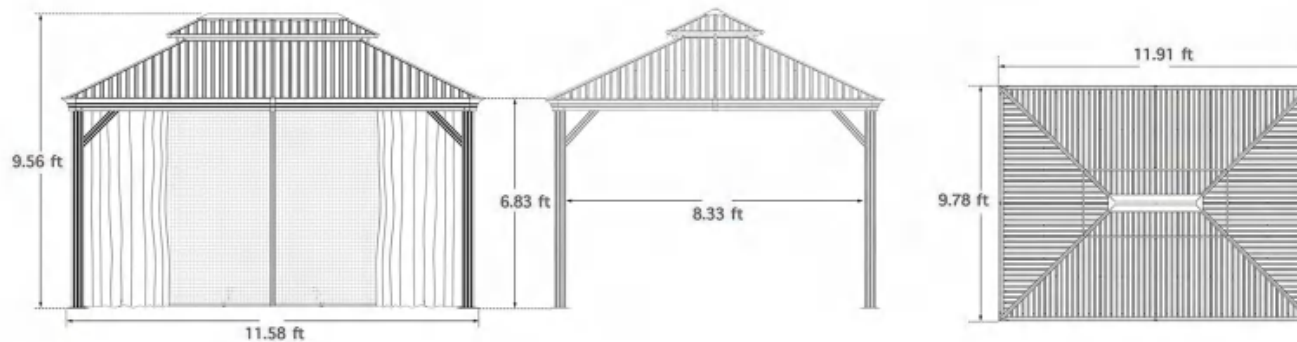


# 10' x 12'

SKU:LGMF8160A

**HARDTOP GAZEBO  
WITH DOUBLE ROOF**

**Assembly Manual**



## Pre-assembly

### TOOLS THAT MAY BE REQUIRED (Not included in boxes)

\*NOTE: Tools / equipment are not shown to actual size and scale.



LEVEL



RUBBER MALLET



PHILLIPS SCREW



DRILL



ALLEN KEY



ALLEN KEY

### EQUIPMENT REQUIRED (Not included in boxes)

\*NOTE: Equipment are not shown to actual size and scale.



SAFETY HAT



GLOVES



SAFETY GOGGLES



STEPLADDER

### Matters needing attention



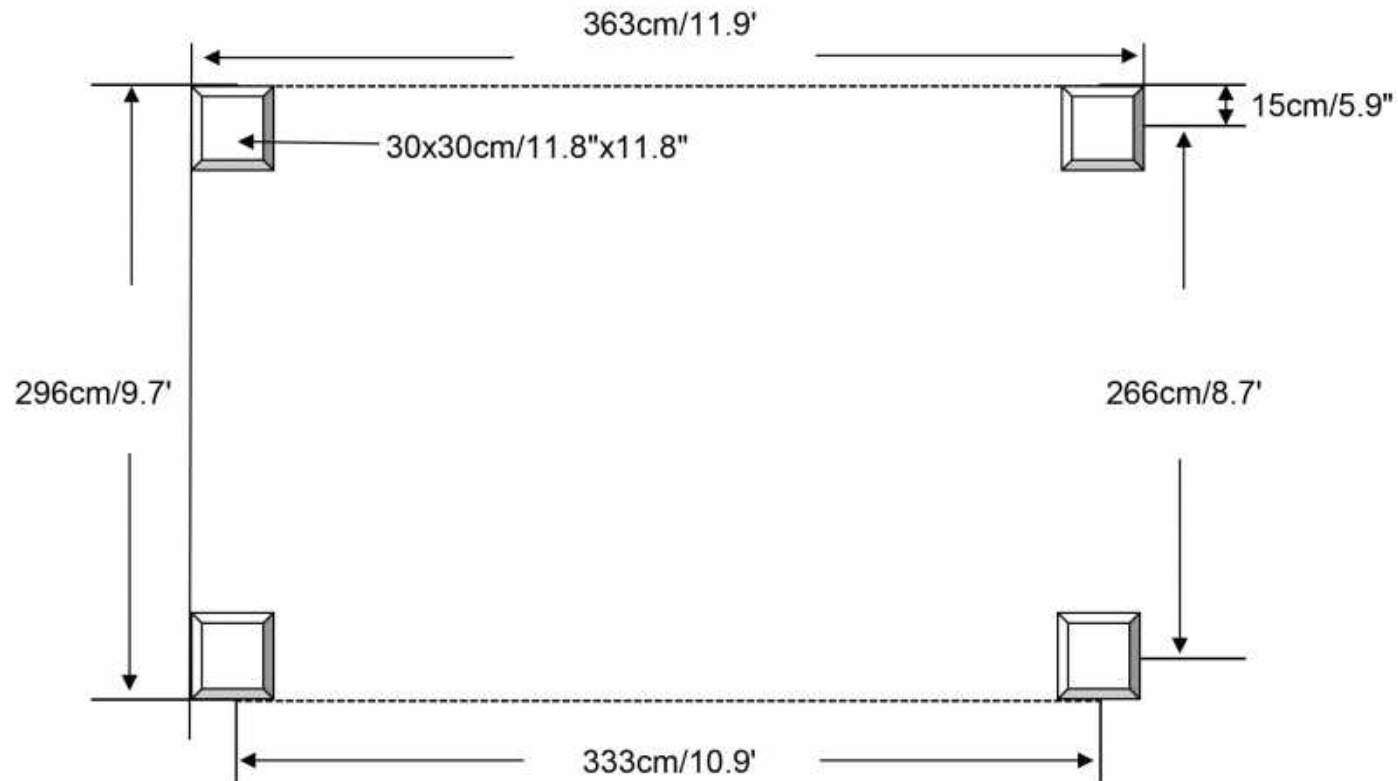
1. Two or more people are required for assembly.



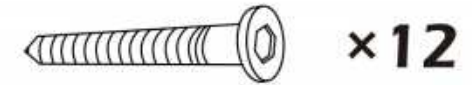
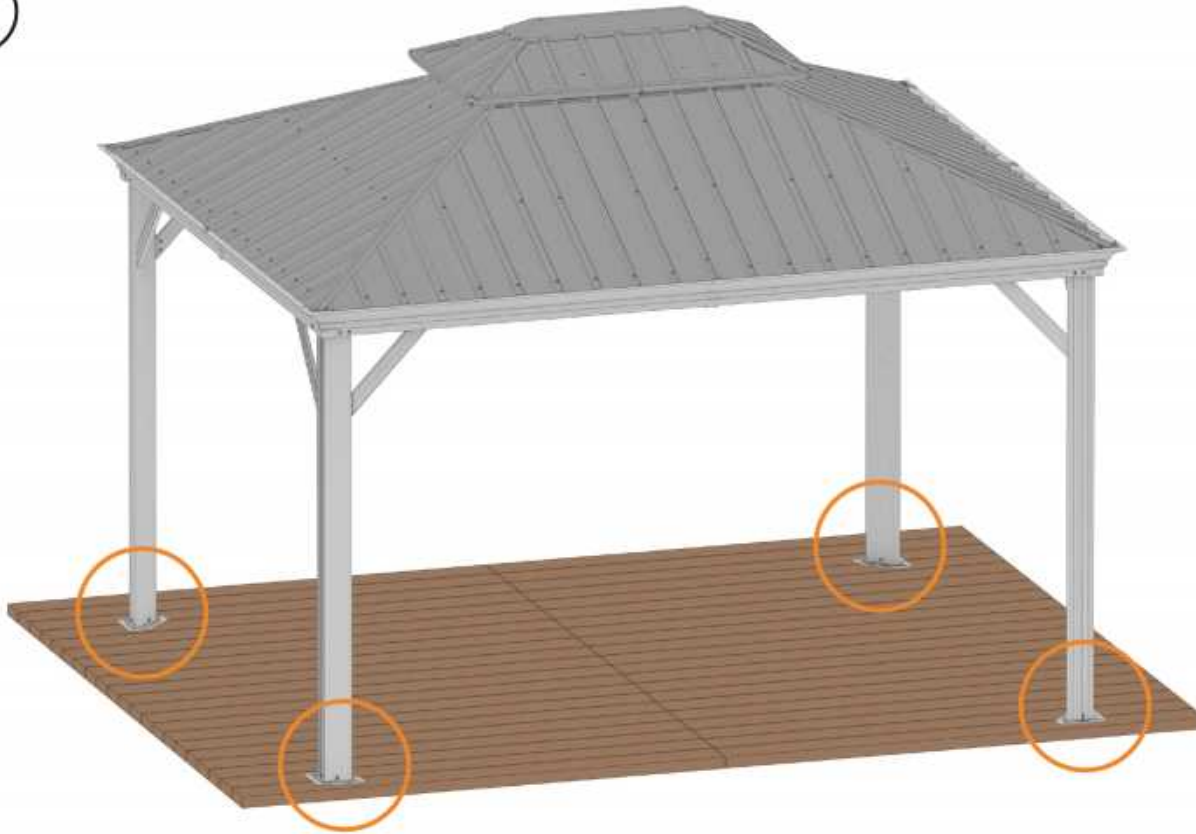
2. Do not fully tighten screws prior to complete assembly.

# MOUNTING BLUEPRINT

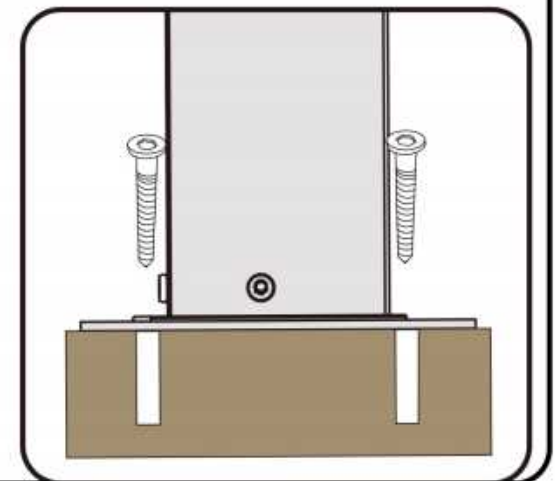
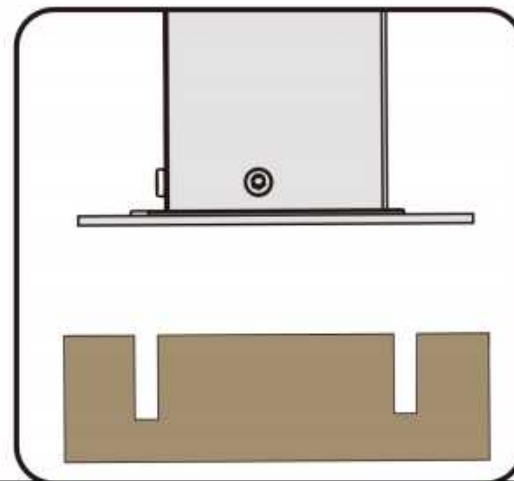
## Gazebo 10×12



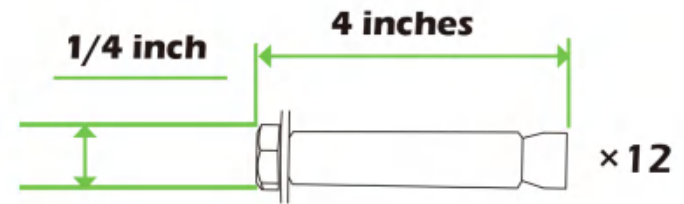
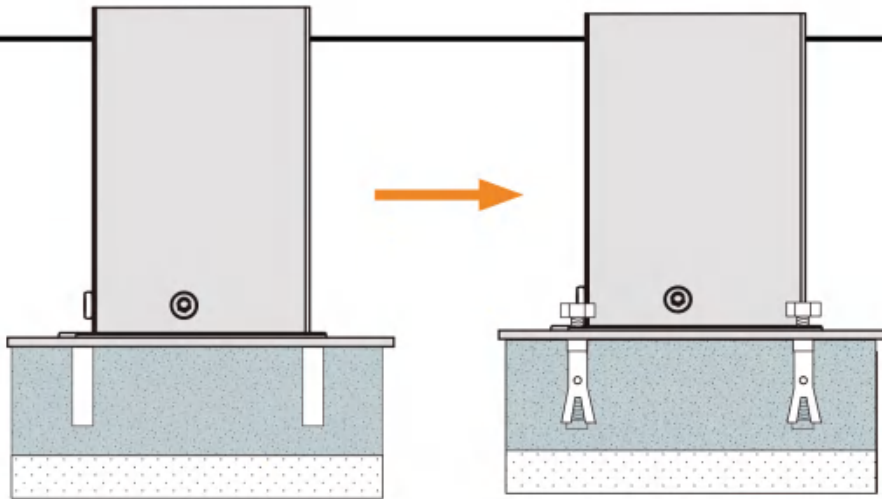
1



If the deck is hard wood and the depth of it is over 3 inch, you can use **5/16 in. x4 in. Structural Wood Screw** to mount the gazebo.



2



If the ground is concreted and the depth of it is over 3 inch, you can use 1/4 inch expansion bolts to mount the gazebo

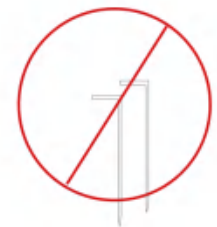
3



Or you can make a concrete footing for gazebo, **11.8×11.8×11.8 inches** is recommended. Use expansion bolts to mount the gazebo like ② shows.



**IMPORTANT:**  
Anchor is not recommended



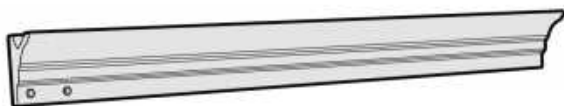
# CHECK LIST



**A** × 4



**B** × 2



**B1** × 2



**B2** × 2



**C** × 2



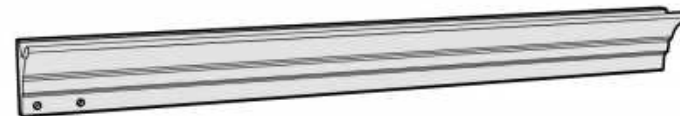
**C1** × 2



**C2** × 2



**D** × 2



**D1** × 2



**D2** × 2



**E** × 2



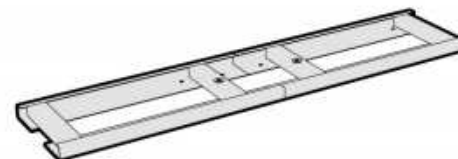
**E1** × 2



**E2** × 2



**F** × 4





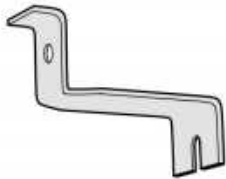
**G**×4



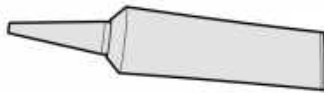
**H**×4



**H1**×4



**H2**×1



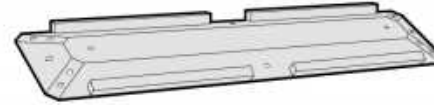
**J1**×4



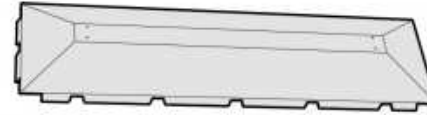
**J2**×4



**K**×1



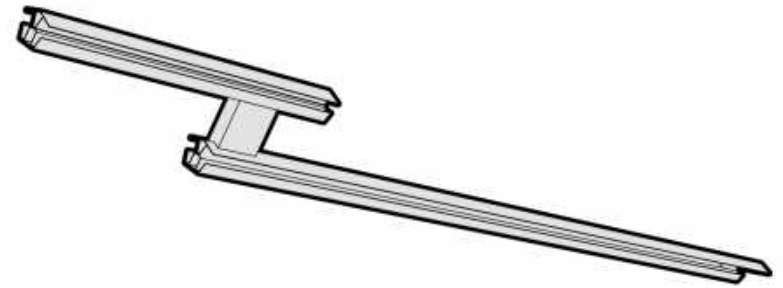
**K1**×1



**L**×4



**M**×4



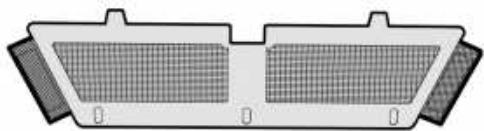
**N**×4



**P**×2



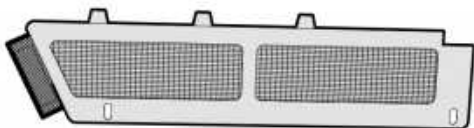
**P1**×2



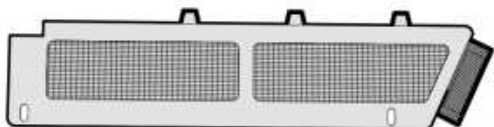
**Q**×2



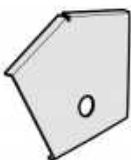
**Q1**×2



**Q2**×2



**R**×8



**S**×104



**T1**×2



**T2**×2



**U1**×4



**U2**×4



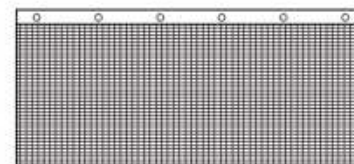
**U3**×4



**U4**×4



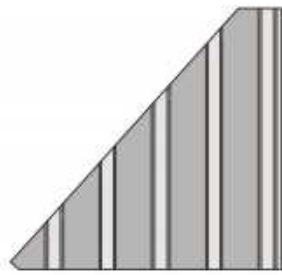
**Y**×4



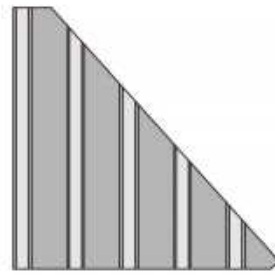
**Y1**×4



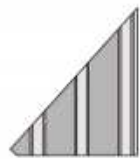




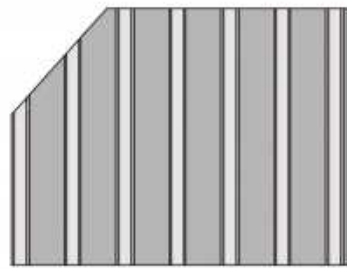
**V1x2**



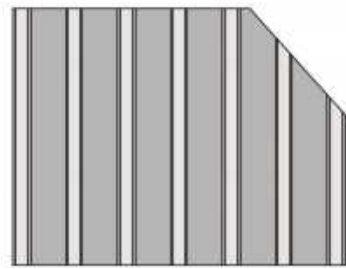
**V2x2**



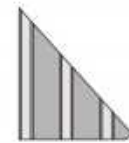
**V3x2**



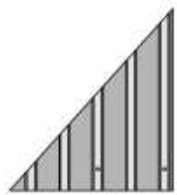
**V4x2**



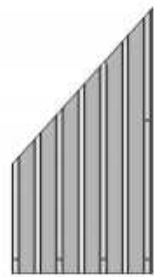
**V5x2**



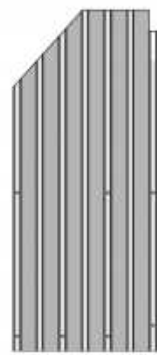
**V6x2**



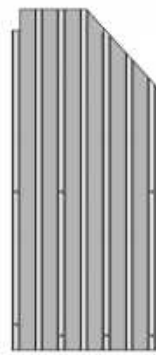
**W1x2**



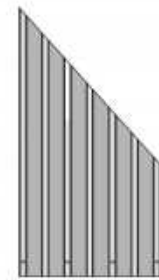
**W2x2**



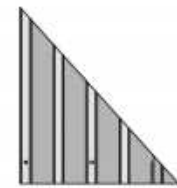
**W3x2**



**W4x2**



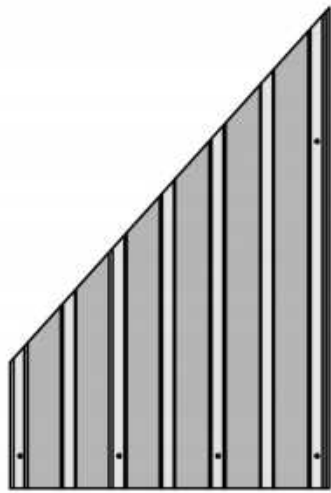
**W5x2**



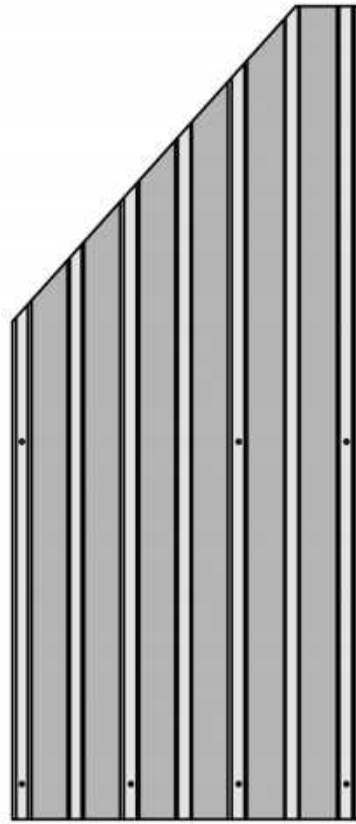
**W6x2**



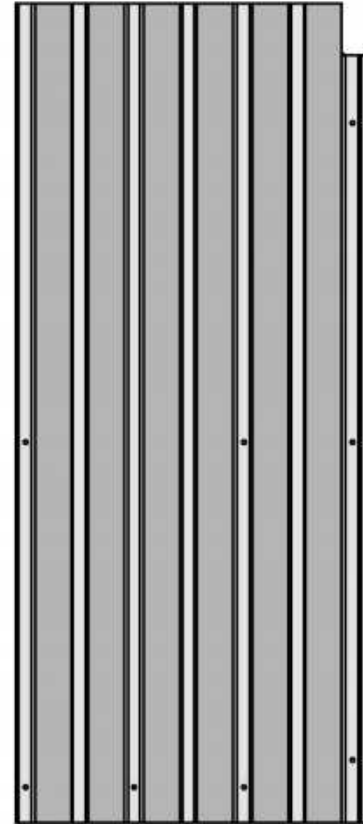
**X1x2**



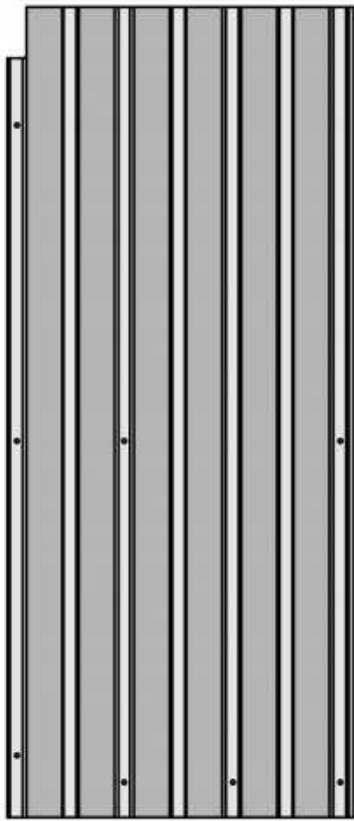
**X2x2**



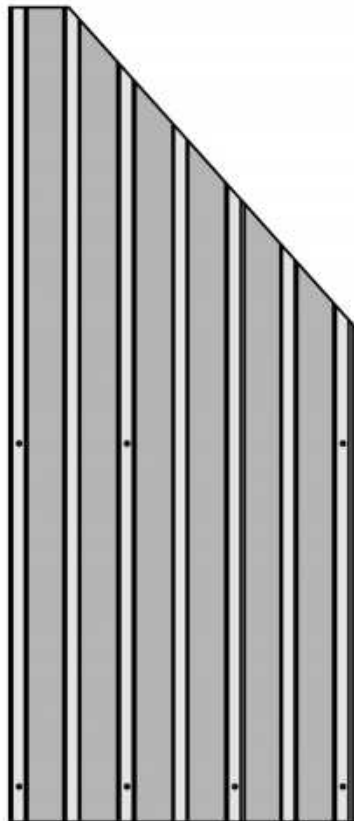
**X3x2**



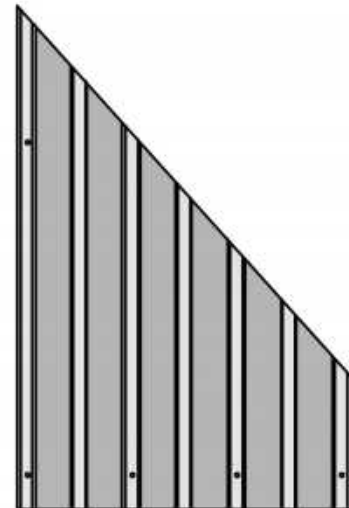
**X4x2**



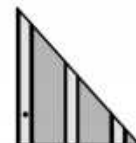
**X5x2**



**X6x2**



**X7x2**



**X8x2**

**Z**×56



**Z1**×4



**Z2**×4



**Z3**×4



**Z4**×4



**1#**×206

(M6×16)



**2#**×16

(M6×20)



**3#**×16

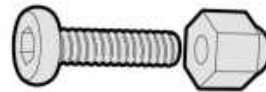


**4#**×104



**5#**×64

(M6×28)



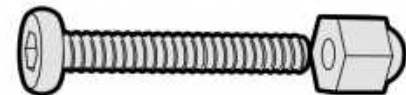
**6#**×8

(M6×45)



**7#**×28

(M6×50)



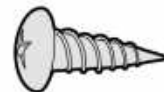
**8#**×4

(M5×16)



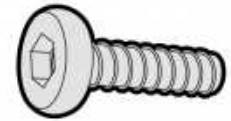
**9#**×24

(ST4.8×13)



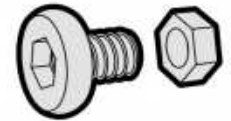
**10#**×4

(M6×25)



**11#**×8

(M6×10)



**12#**×1



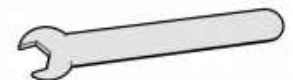
**13#**×1

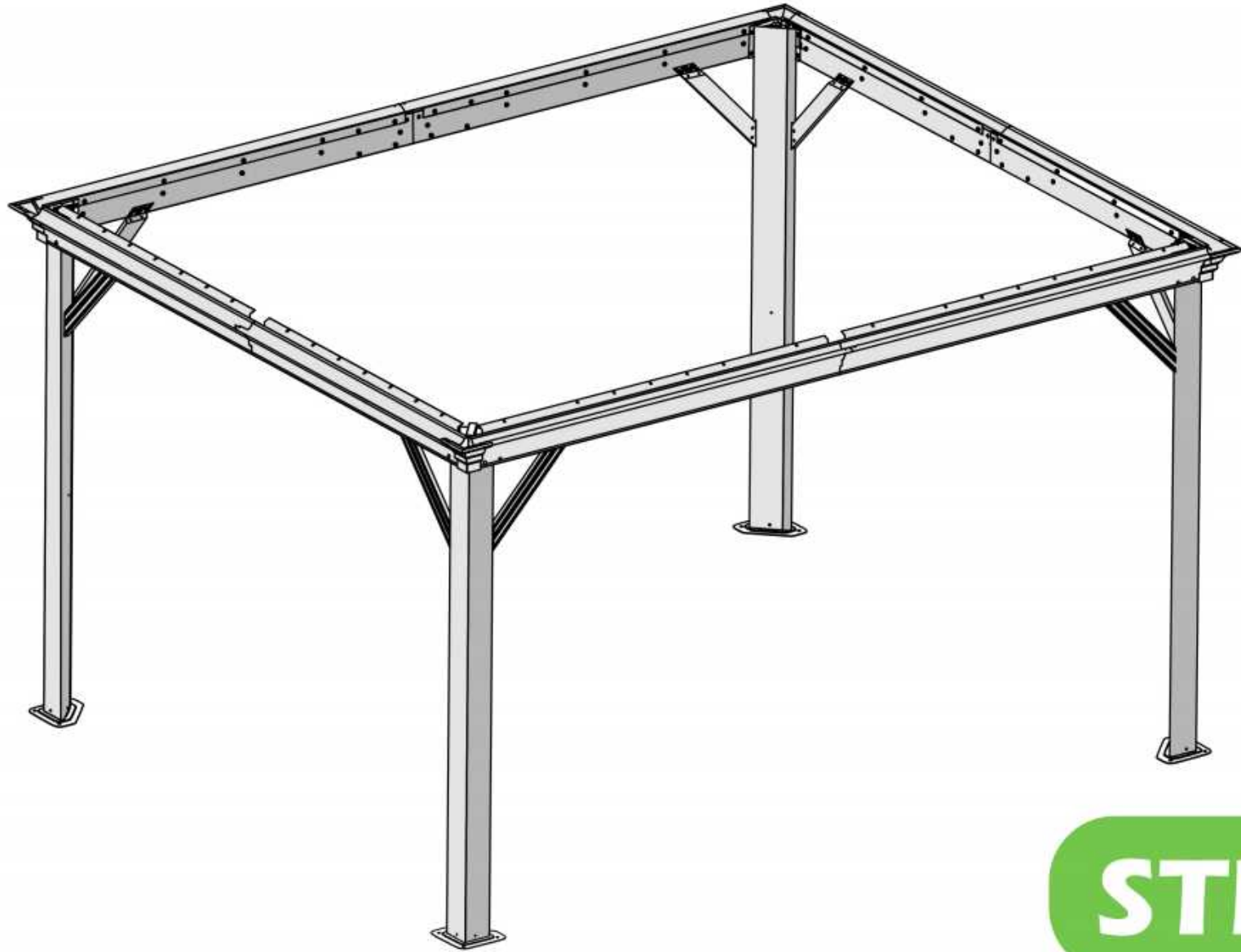


**14#**×1



**15#**×1





**STEP 1**



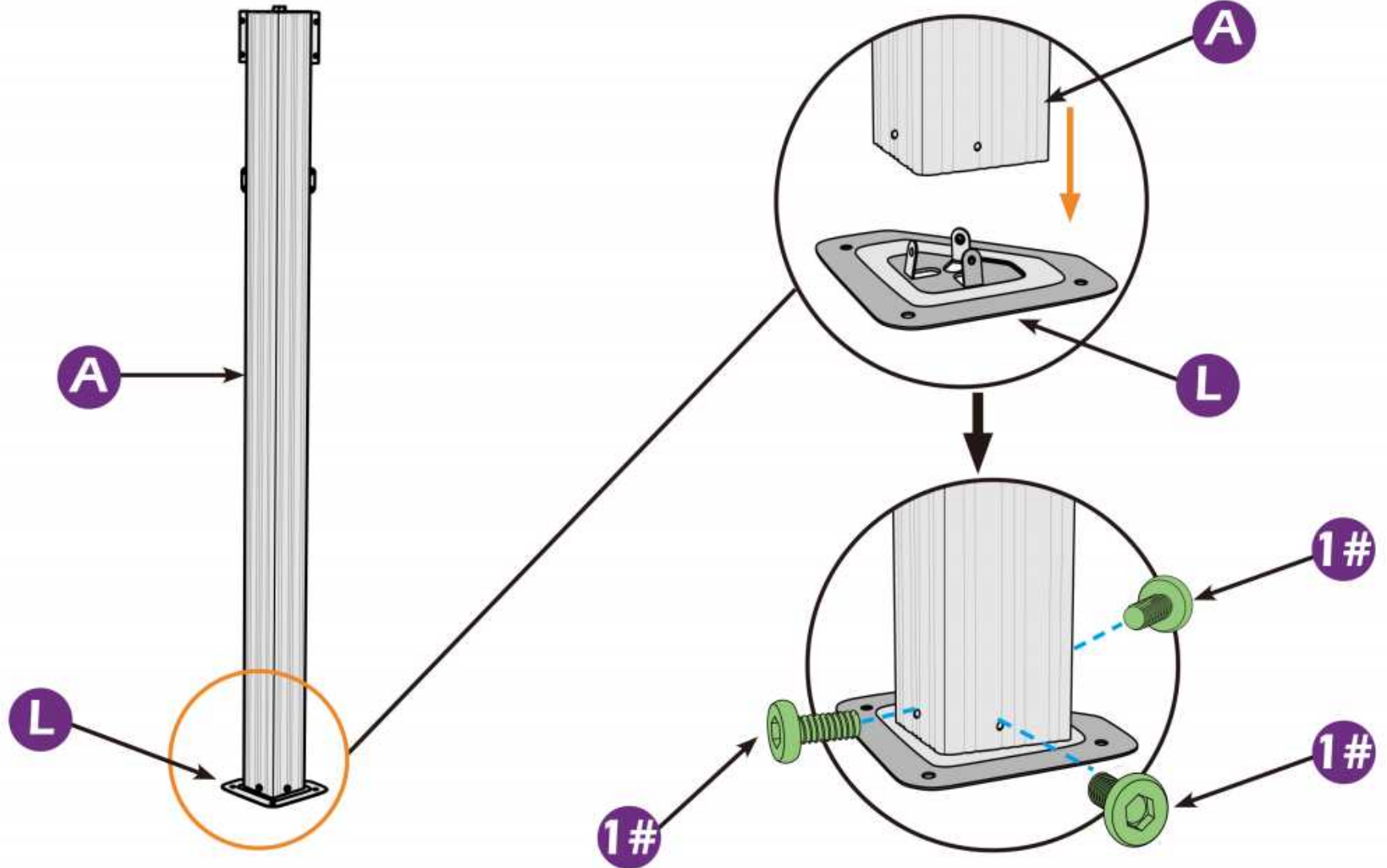
**A** × 4



**L** × 4



**1#** × 12



**STEP 1**





**B** × 2



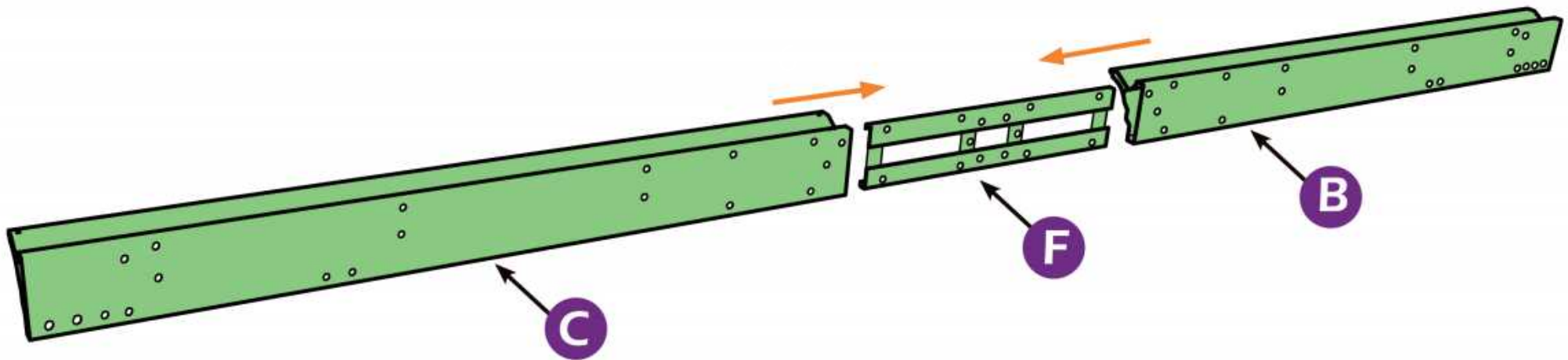
**F** × 2



**C** × 2

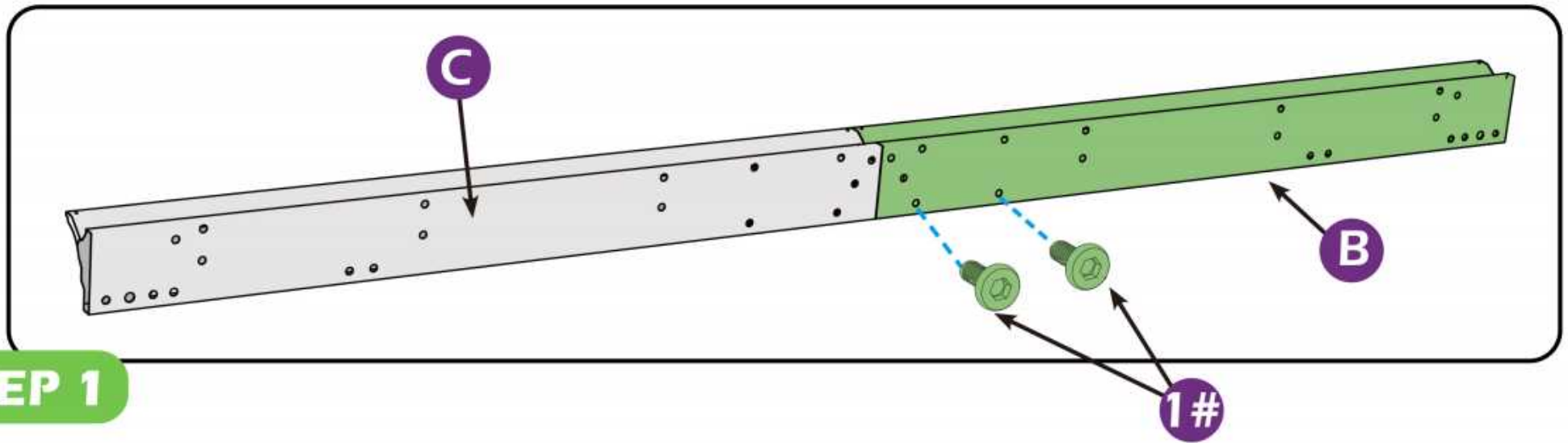
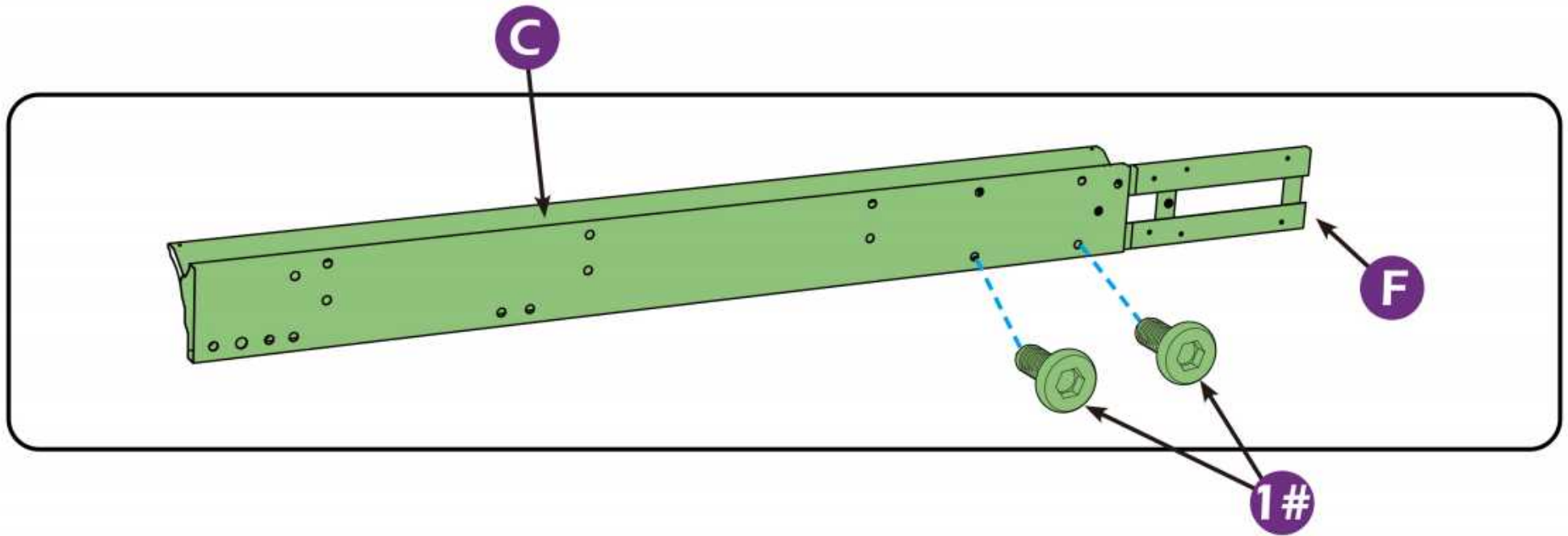


**1#** × 8



▲ It's a normal situation that there's a gap between the 2 beams, please use silicone sealant (part #H2) and bracket #H to affix the gap.(see P52-53)

**STEP 1**



**STEP 1**



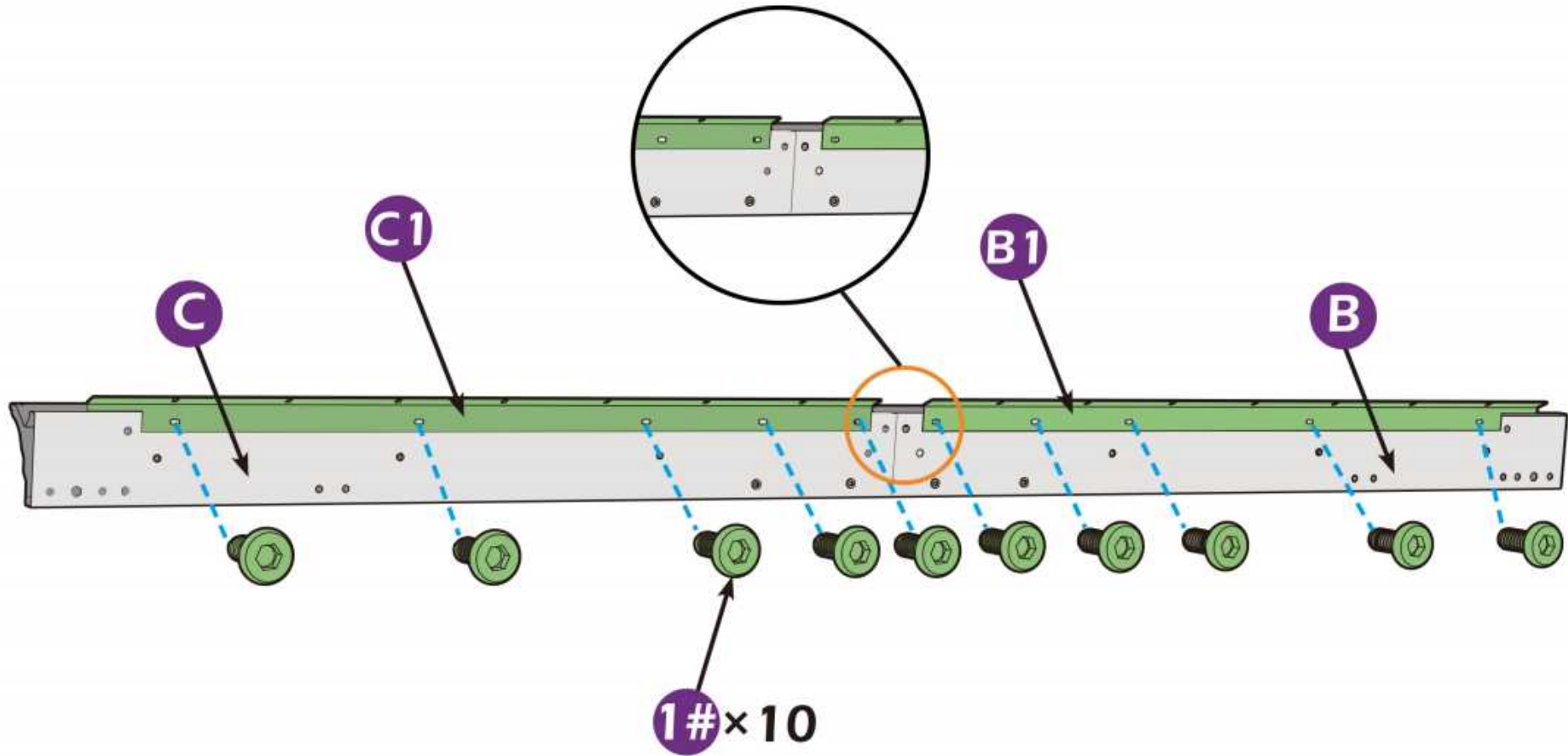
**C1** × 2



**1#** × 20



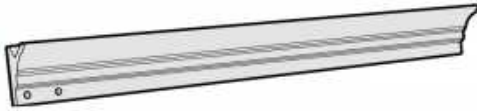
**B1** × 2



**STEP 1**



**D** × 2



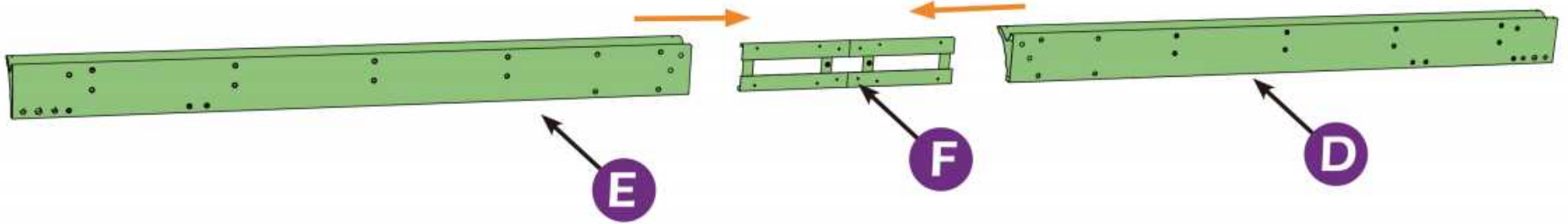
**F** × 2



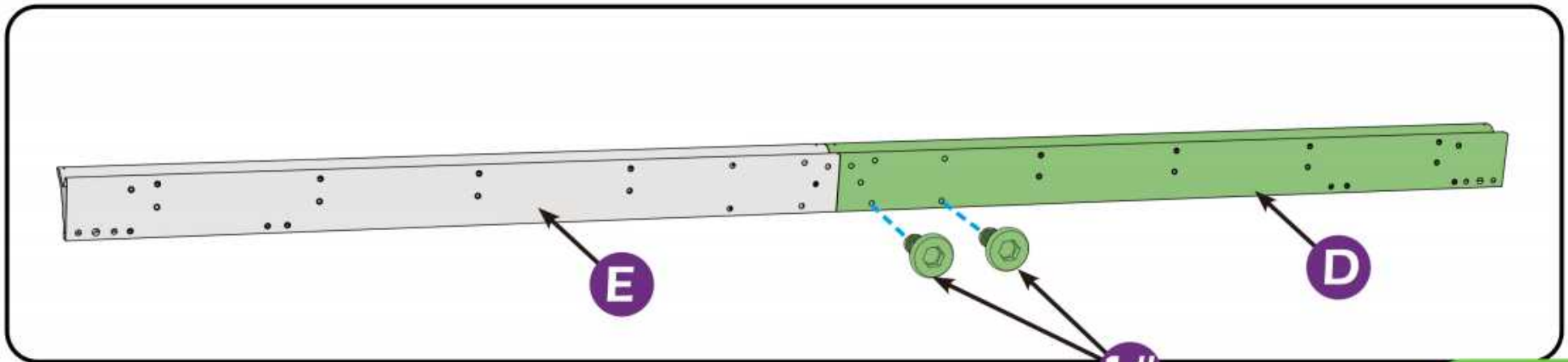
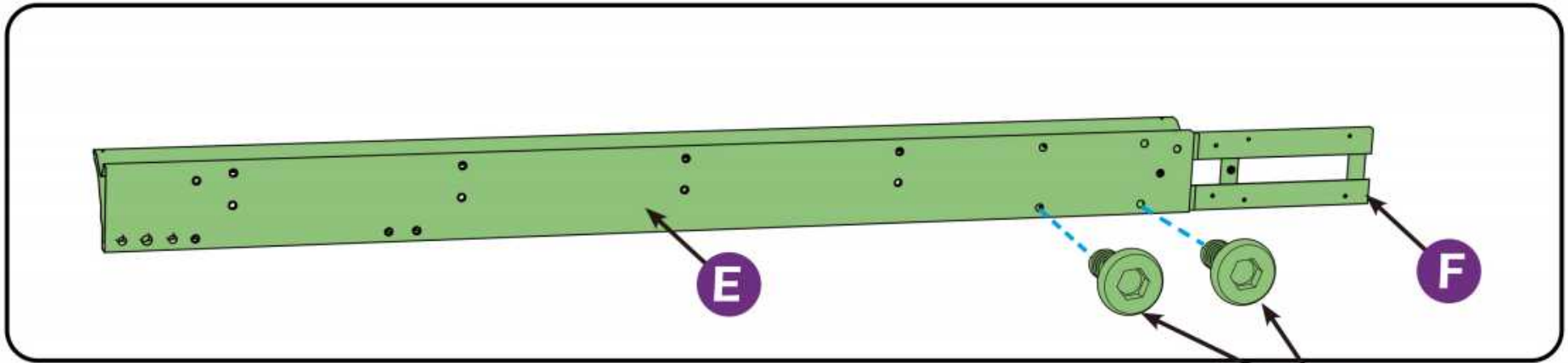
**E** × 2



**1#** × 8



**STEP 1**



**STEP 1**



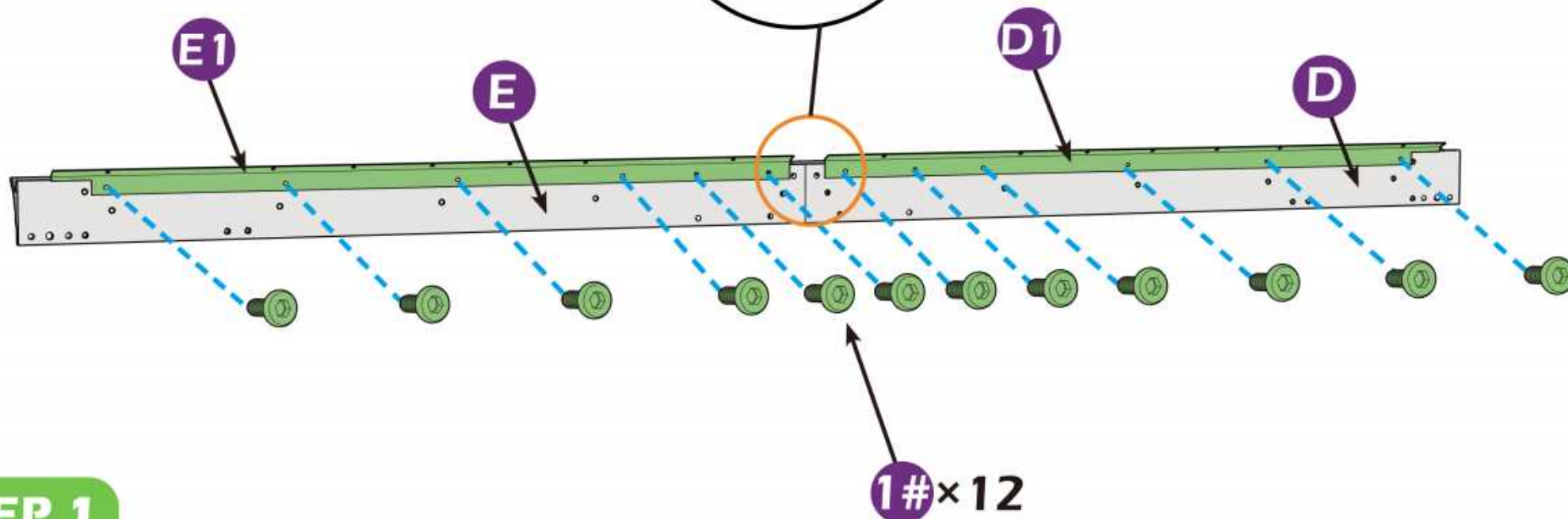
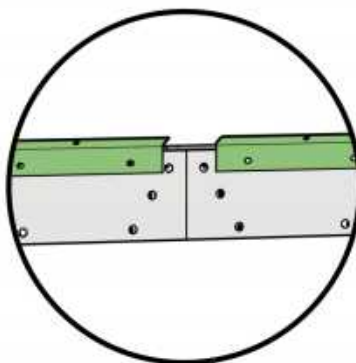
**E1** × 2



**1#** × 24



**D1** × 2

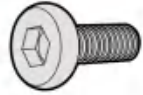


**STEP 1**

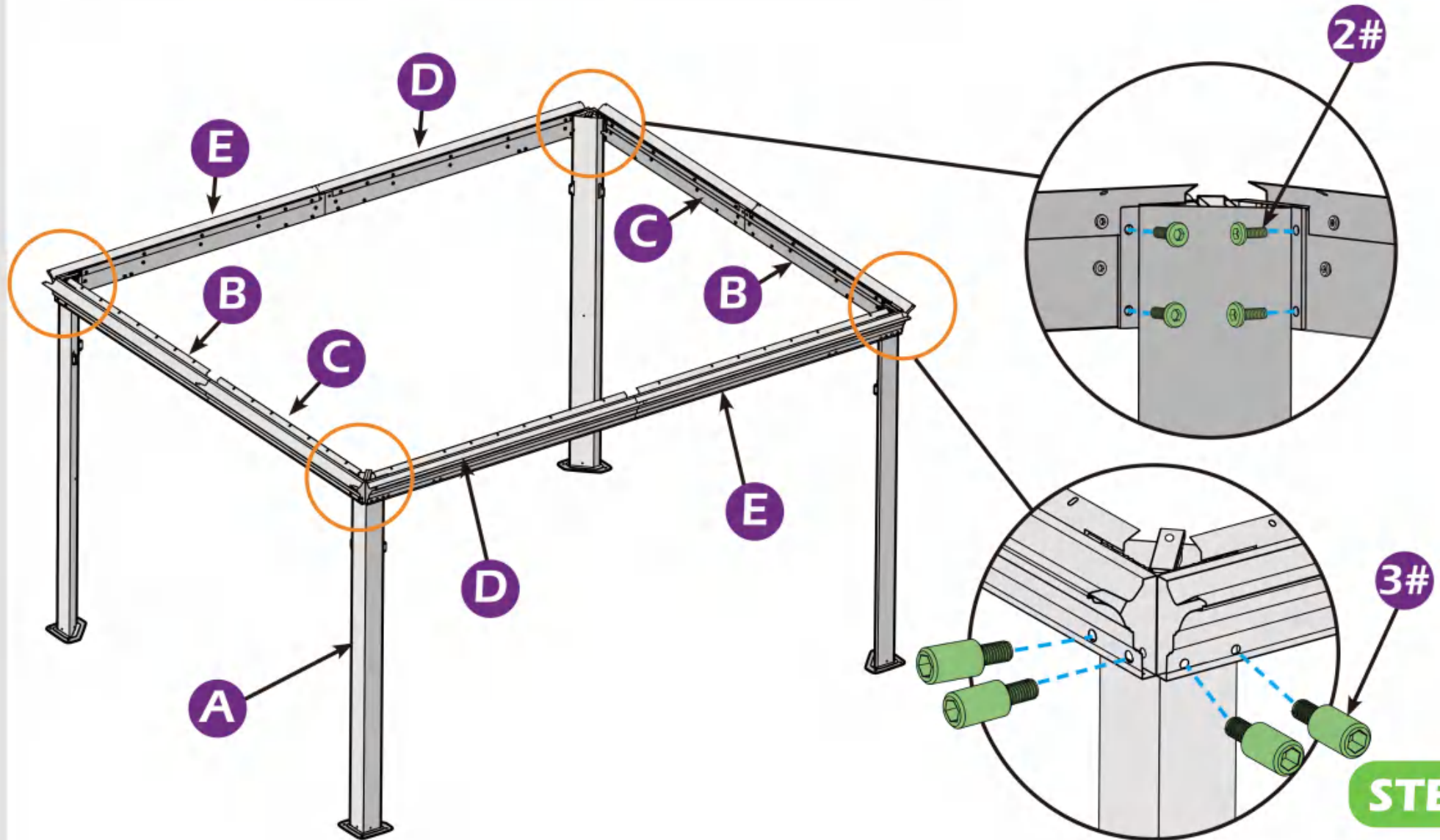




2#×16



3#×16



**STEP 1**



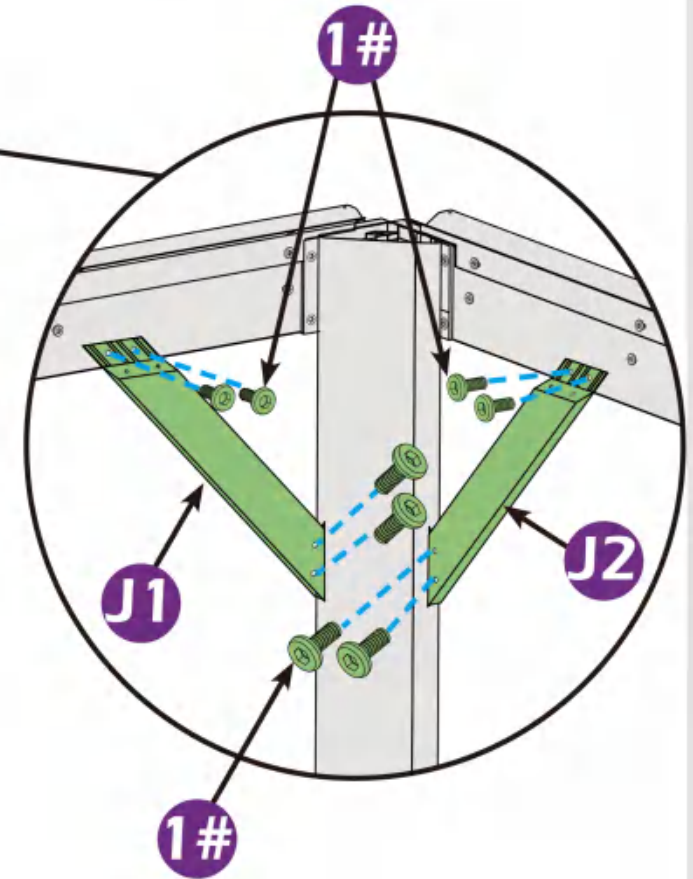
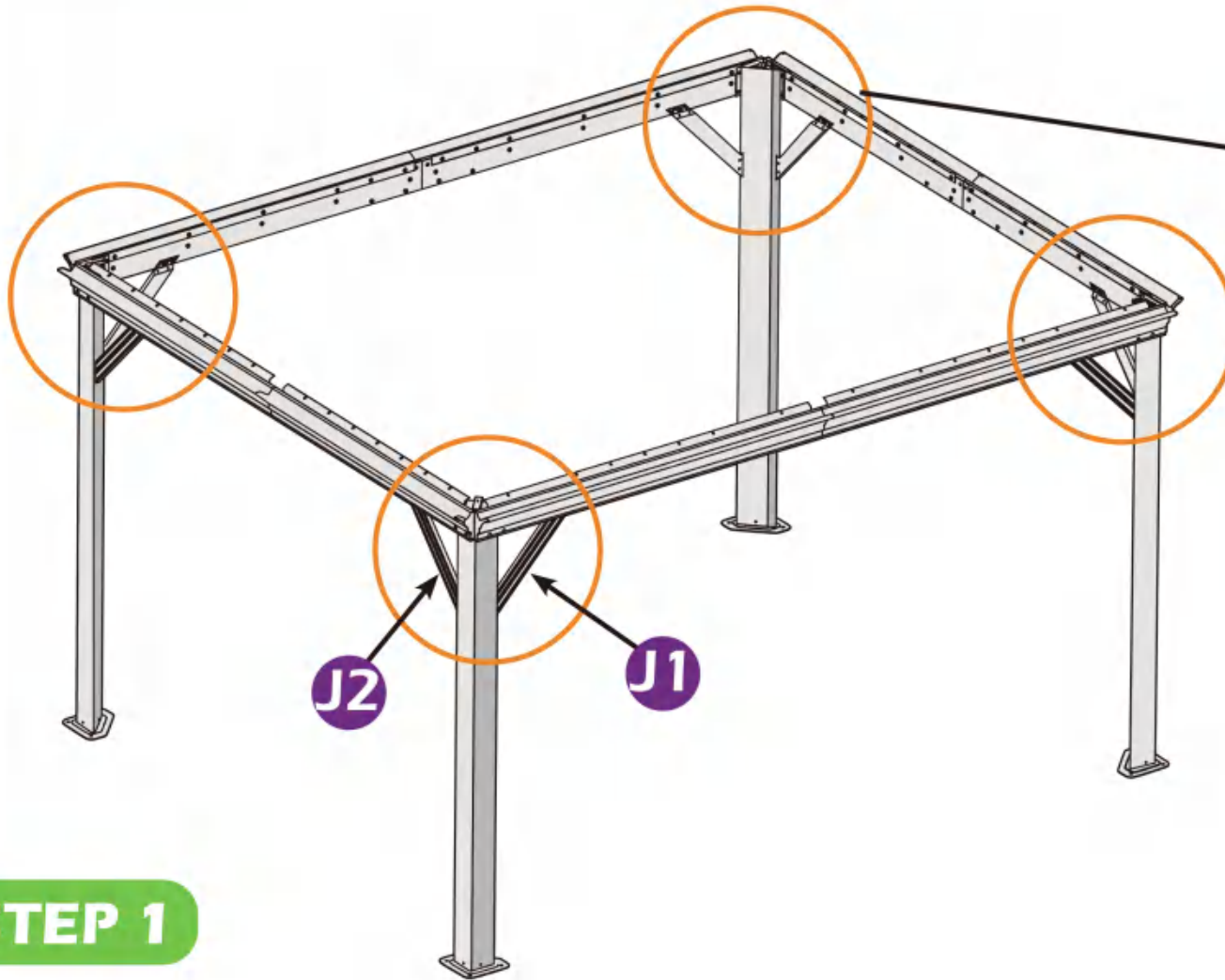
**J1** × 4



**1#** × 32



**J2** × 4



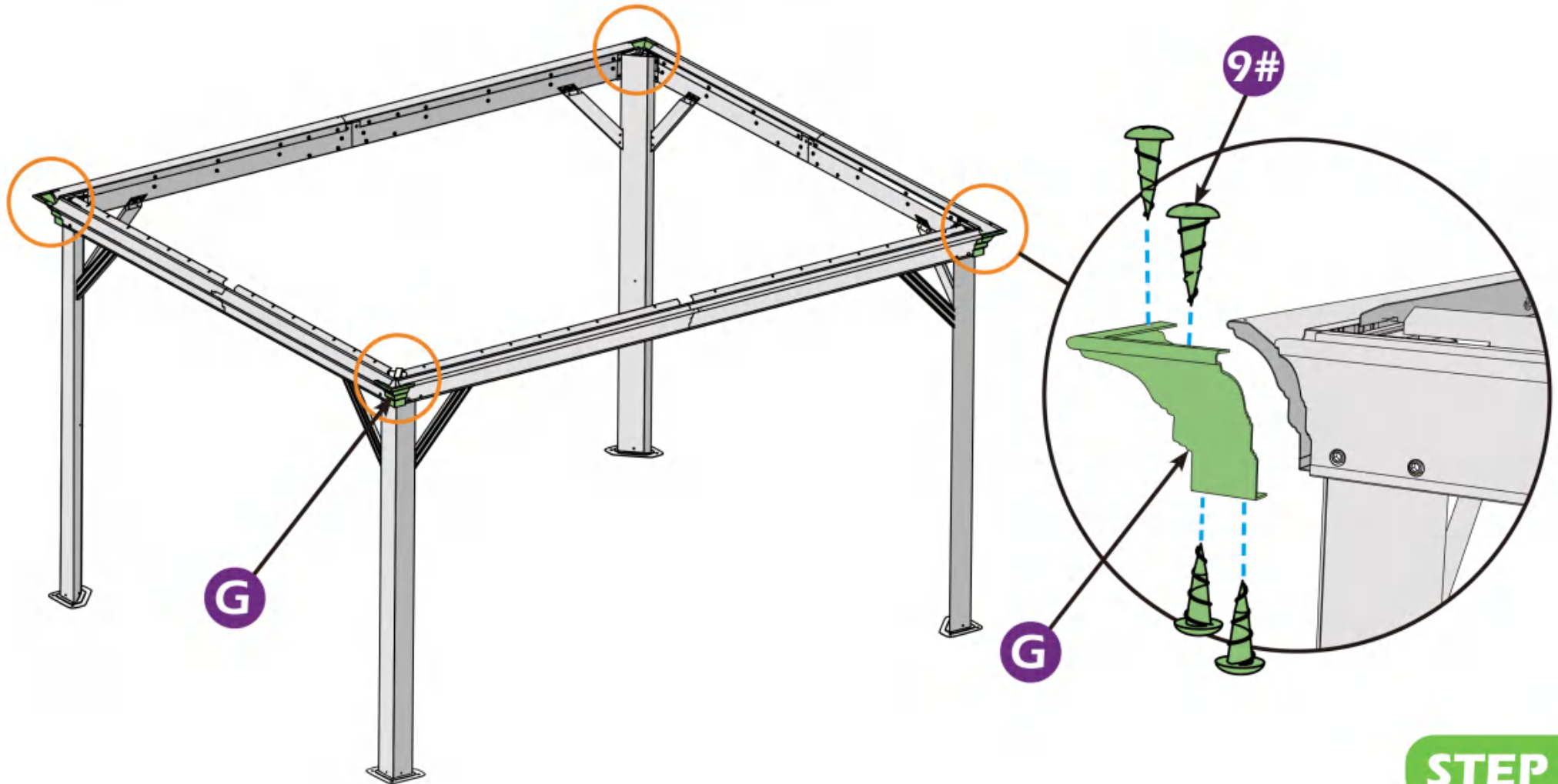
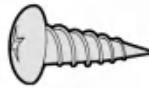
**STEP 1**



**G** × 4



**9#** × 16



**STEP 1**

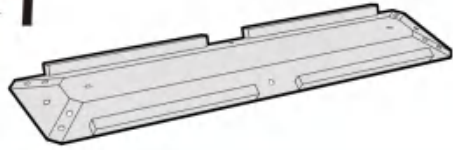


**STEP 2**

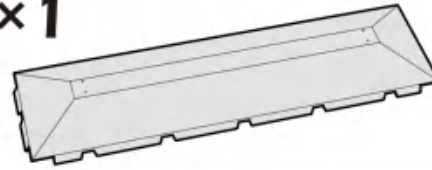




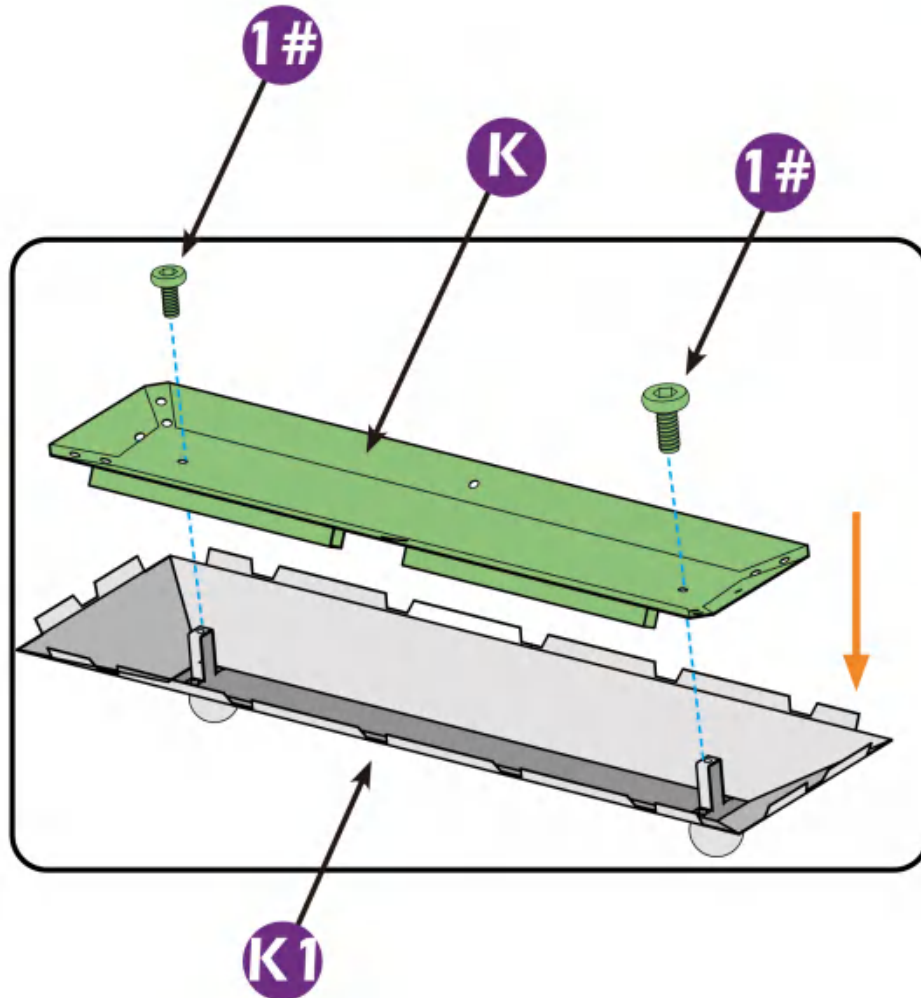
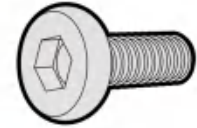
**K** × 1



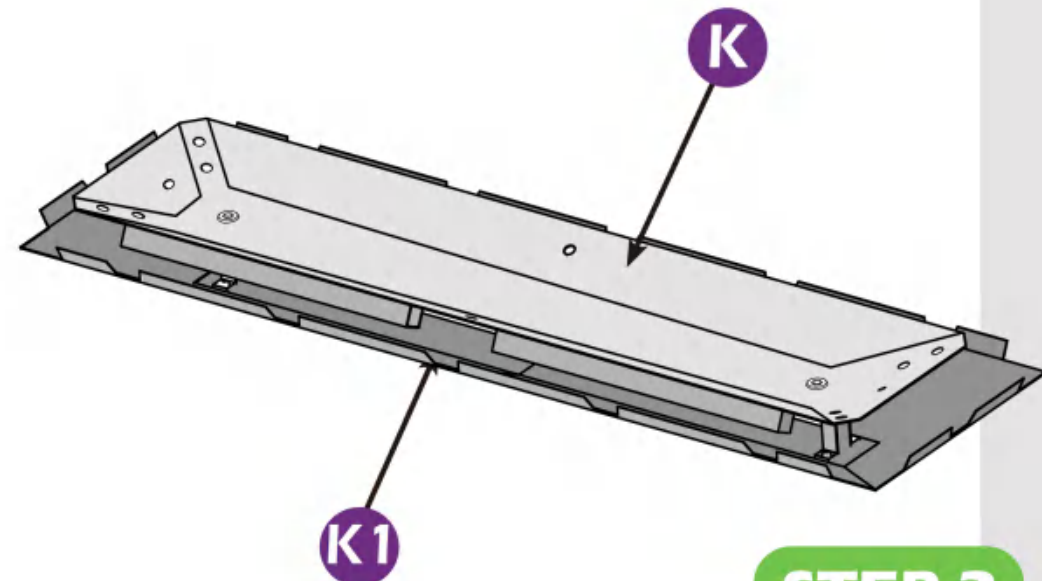
**K1** × 1



**1#** × 2



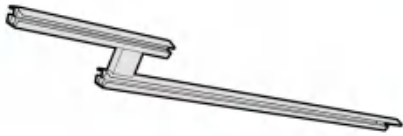
Don't fully tighten the screw **1#**, It might cause problem on roofs installation.



**STEP 2**



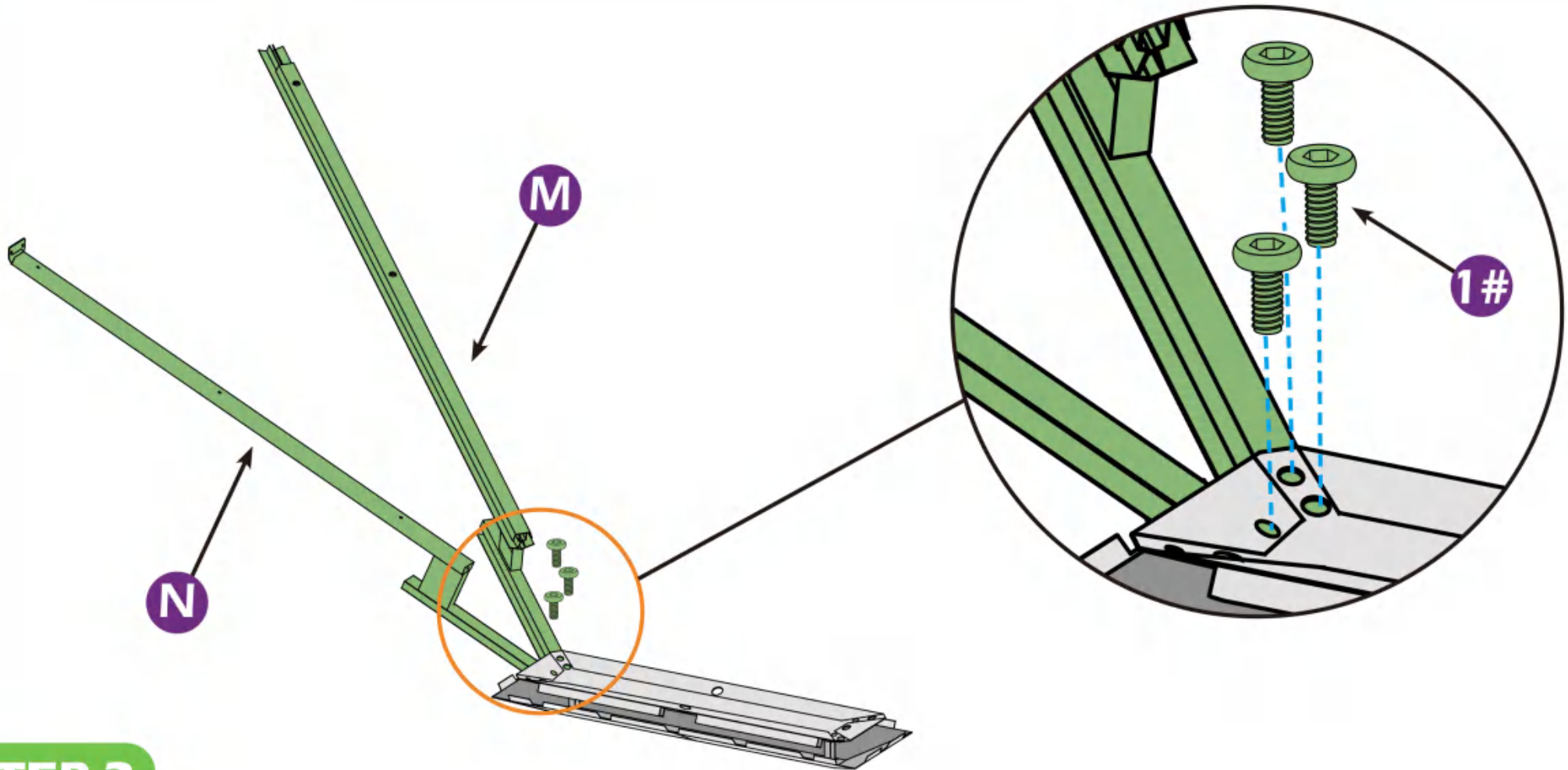
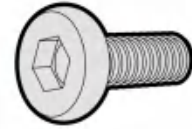
**M** × 1



**N** × 1



**1#** × 3

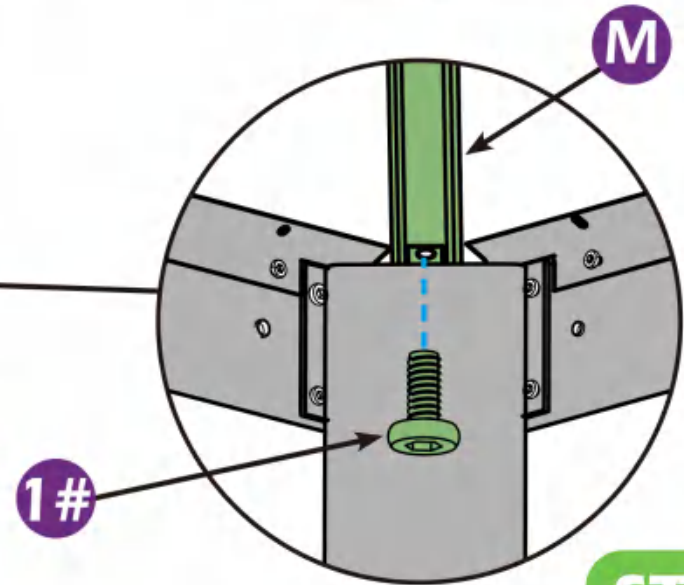
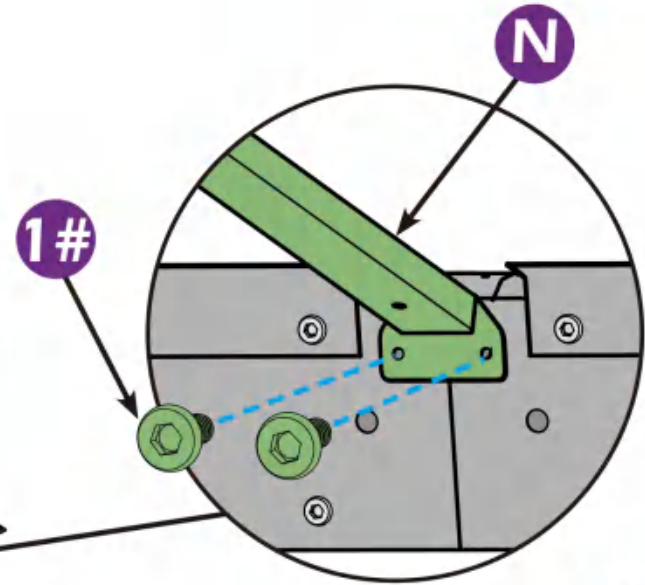
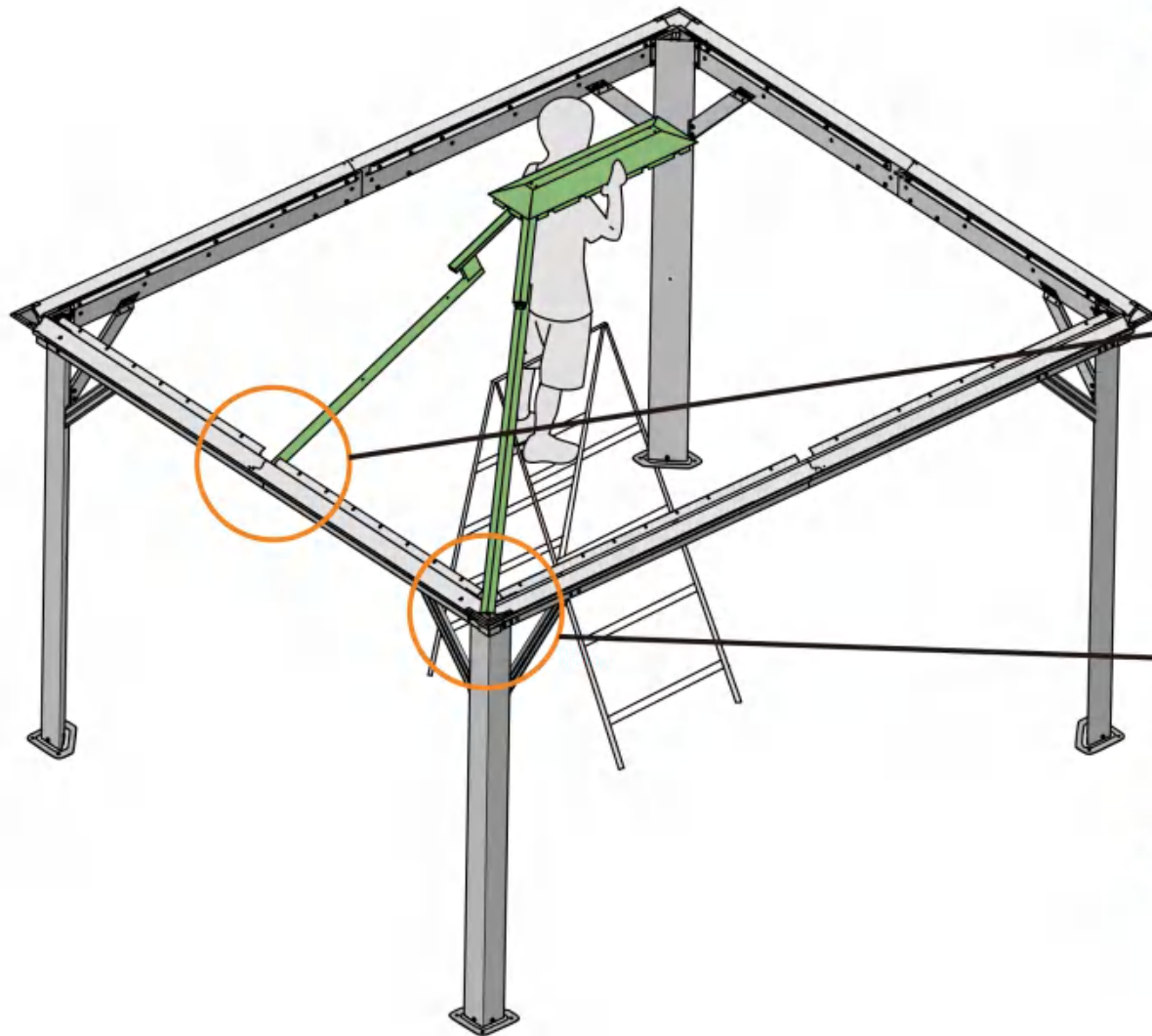
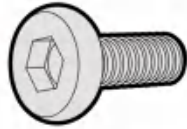


**STEP 2**





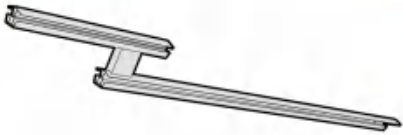
1# x 3



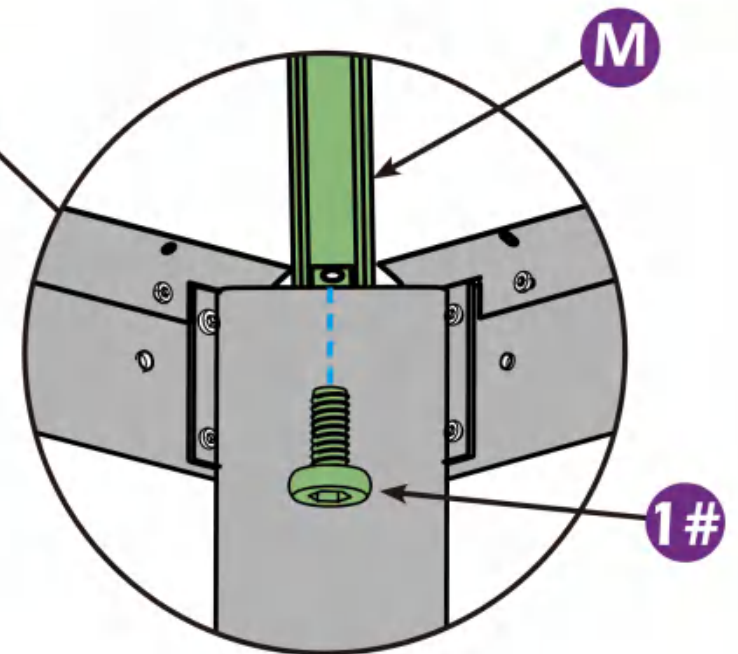
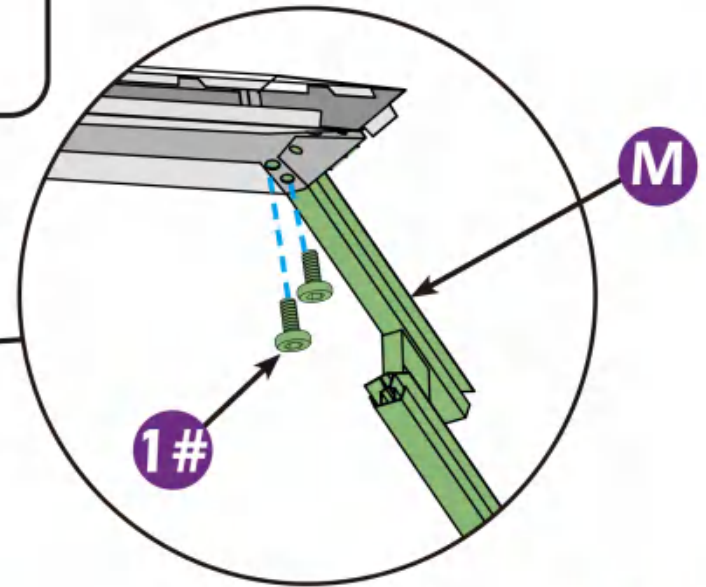
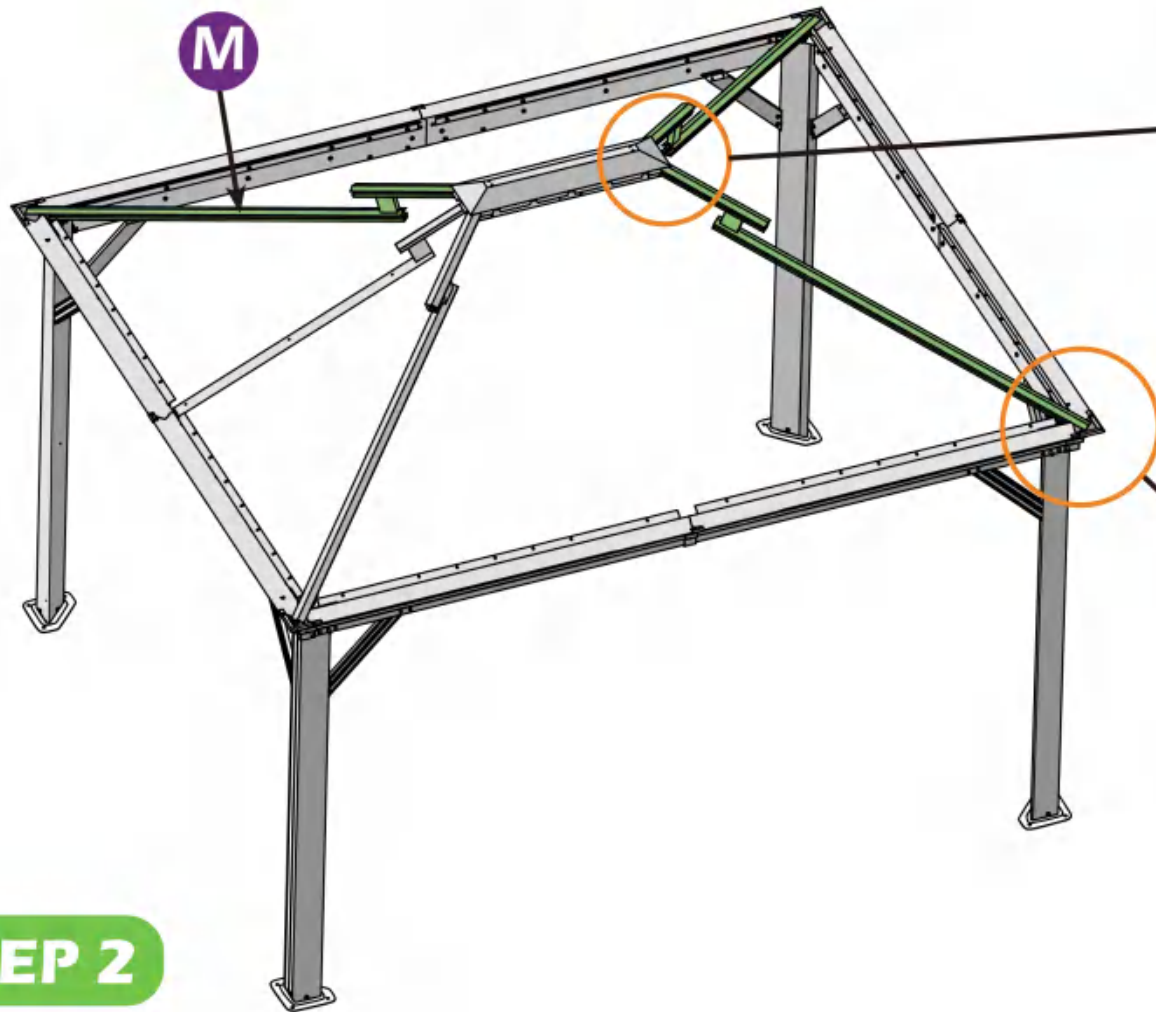
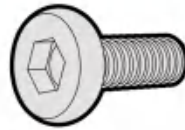
**STEP 2**



M x 3



1# x 9



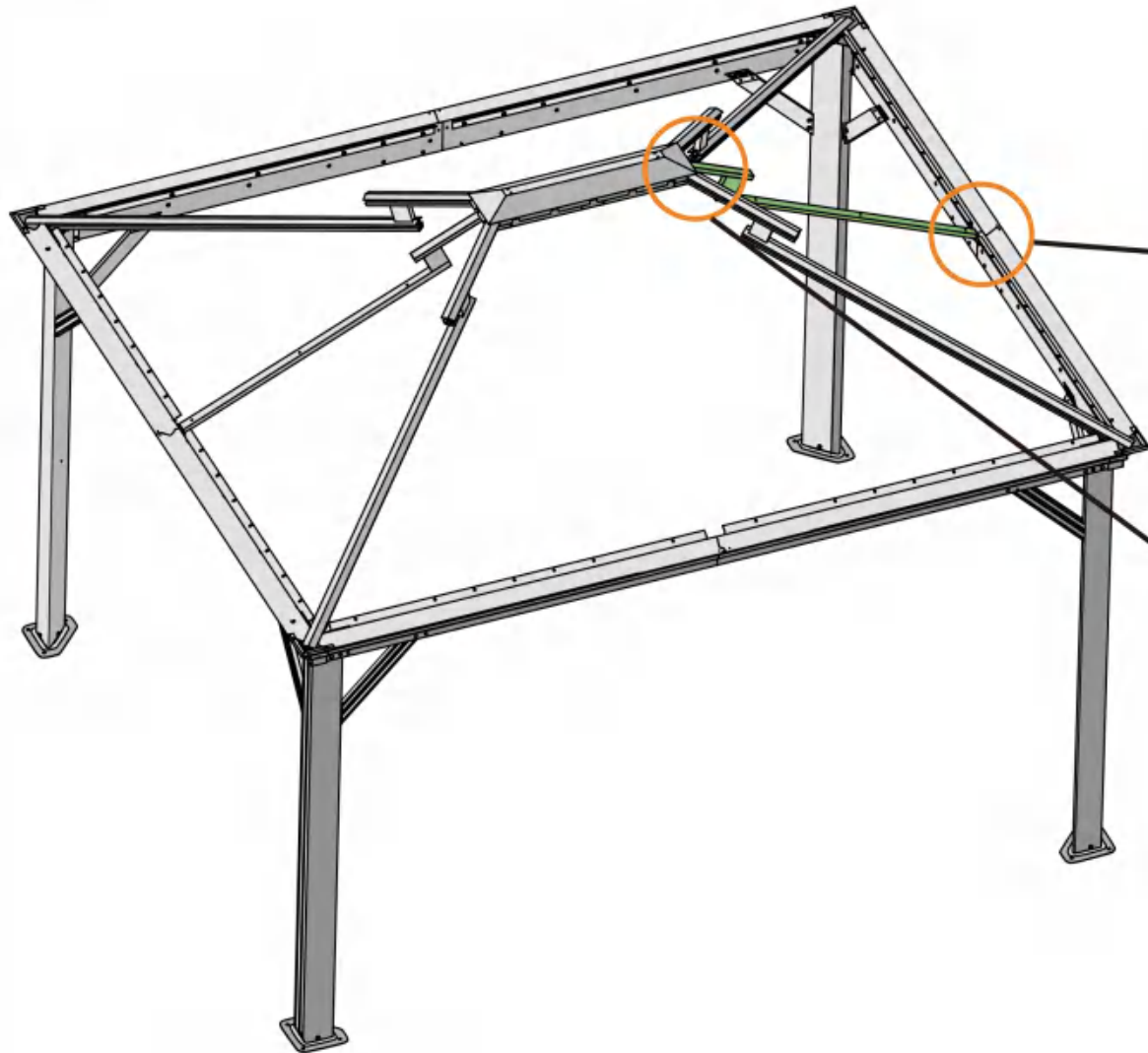
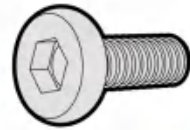
**STEP 2**



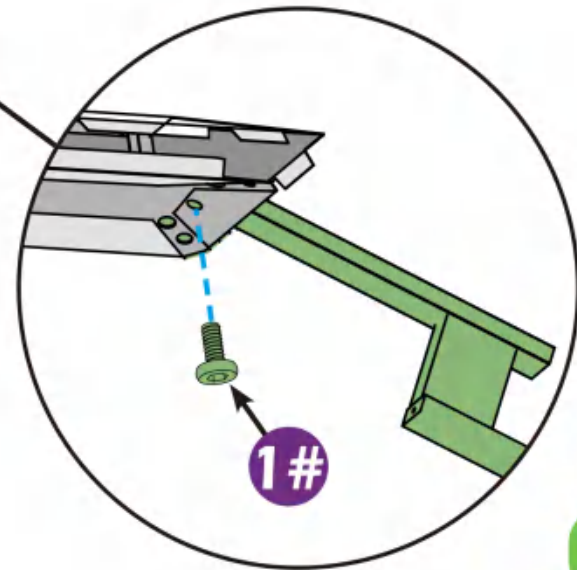
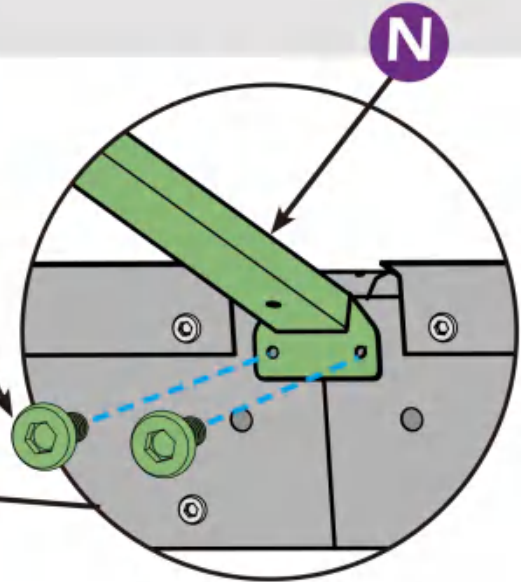
**N** × 1



**1#** × 3

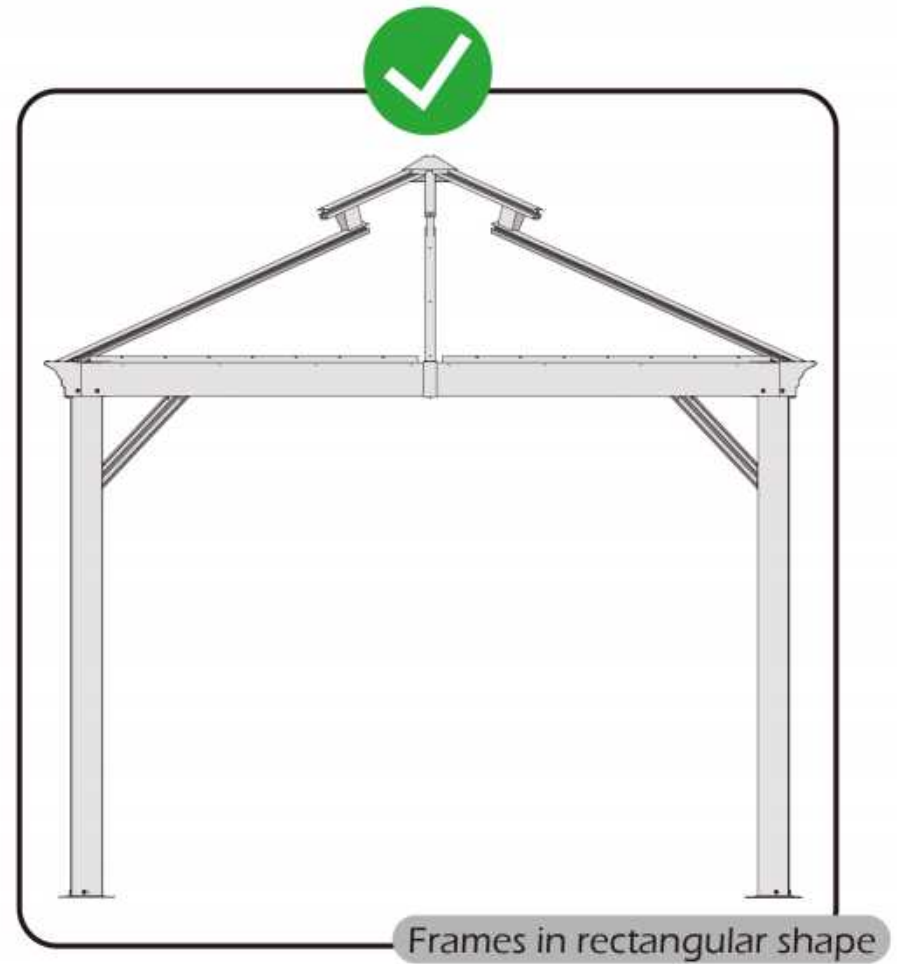
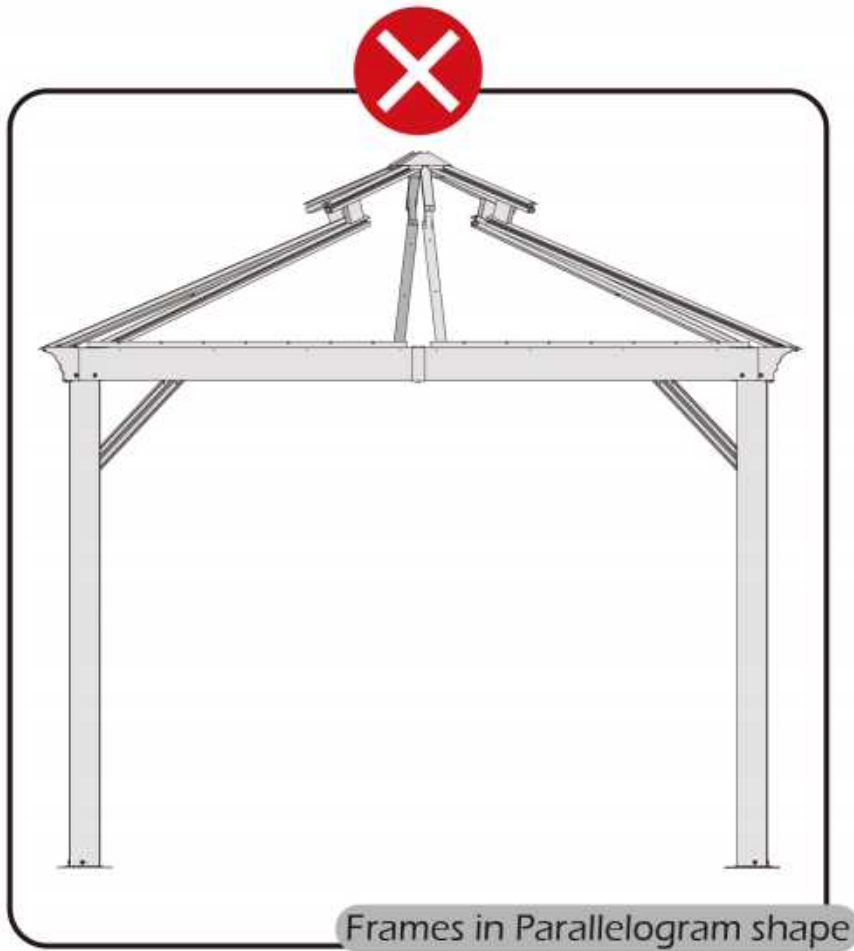


**1#**



**STEP 2**

Check the the frame as pictures below shows.



**STEP 2**

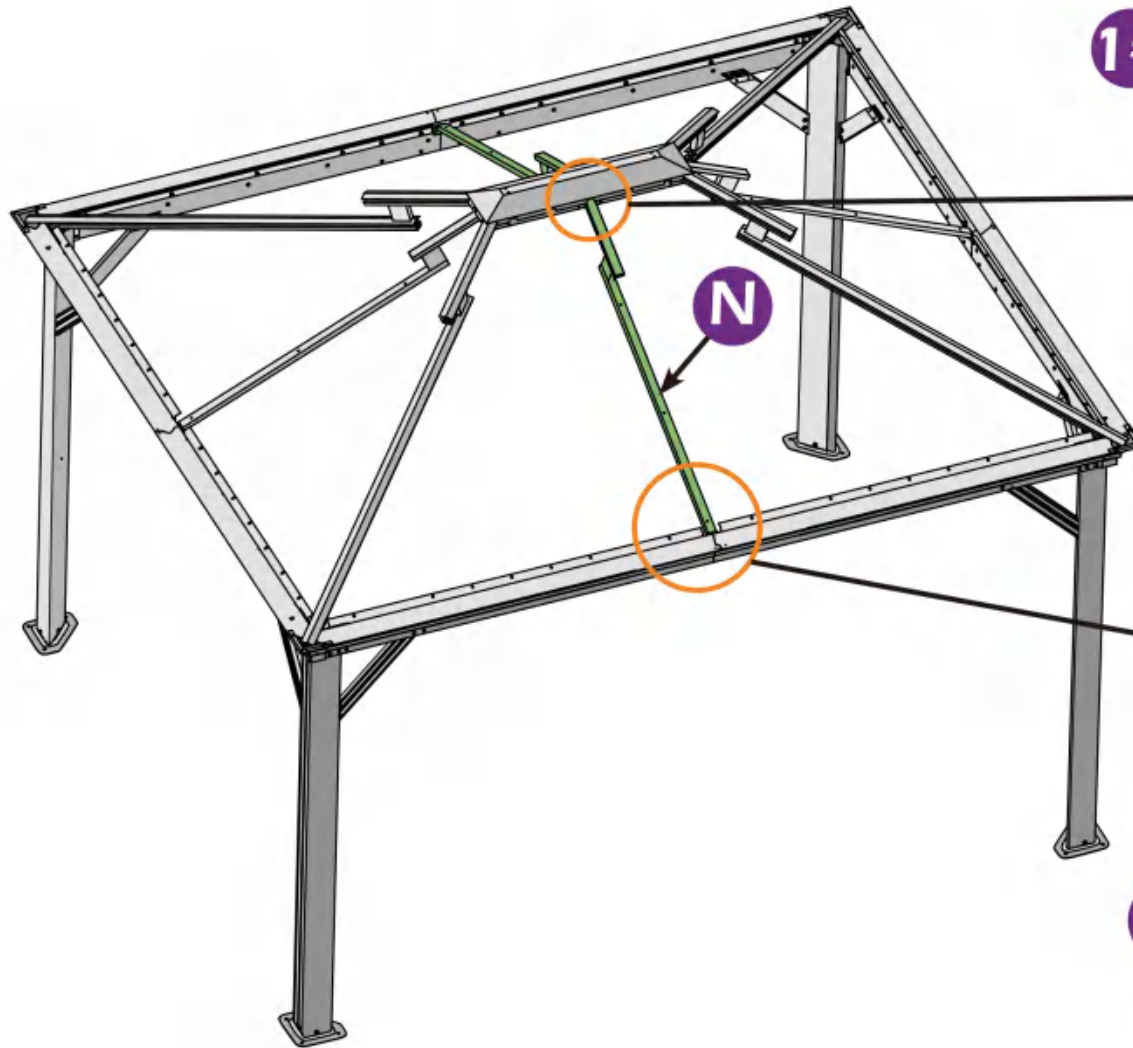
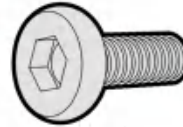




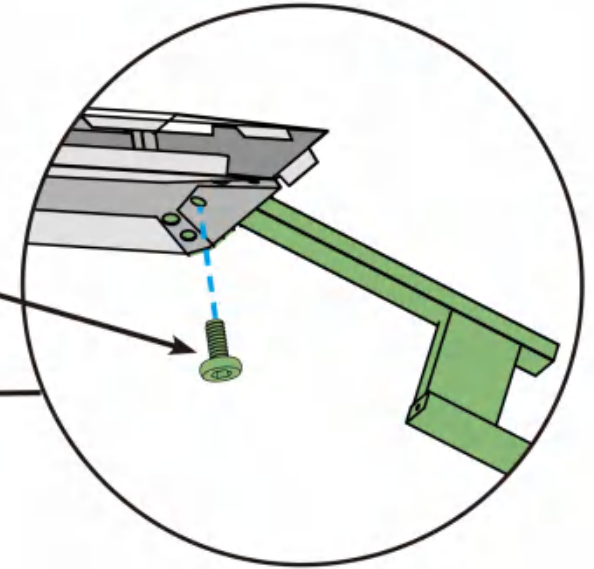
**N** × 2



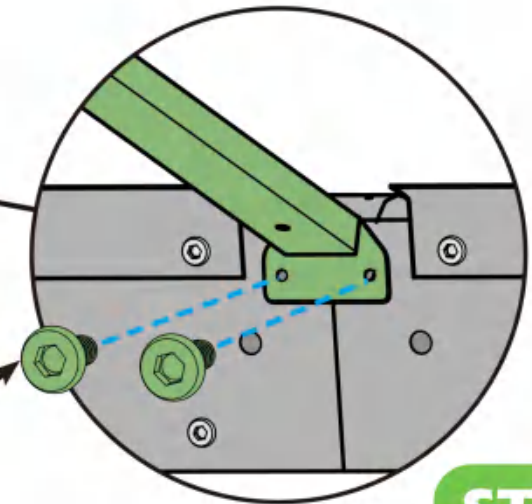
**1#** × 6



**1#**



**1#**



**STEP 2**

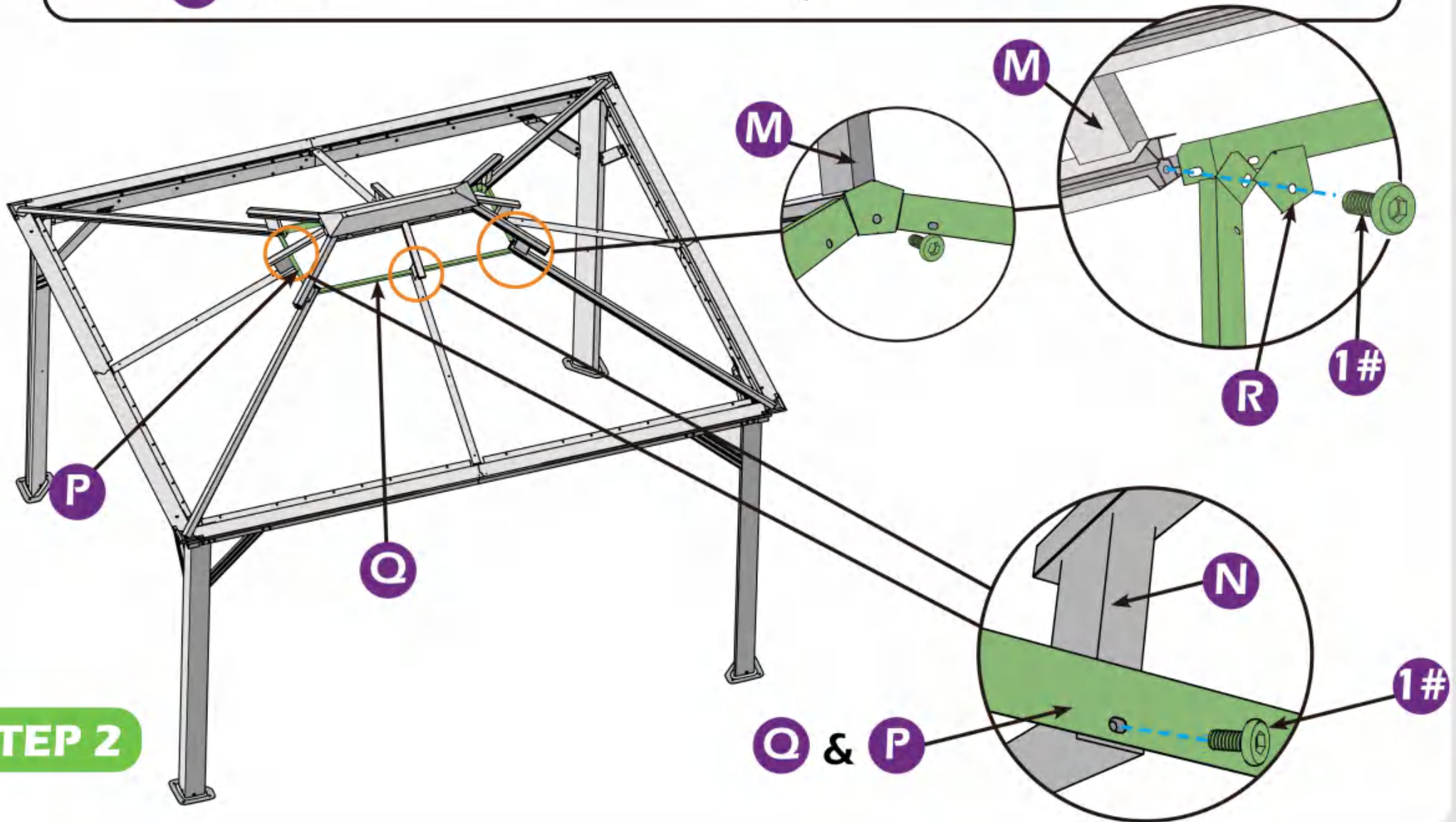


**P** × 2

**R** × 4

**1#** × 8

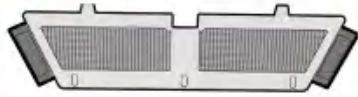
**Q** × 2



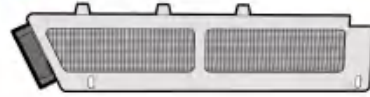
**STEP 2**



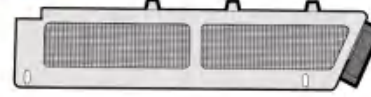
**P1** × 2



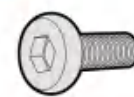
**Q1** × 2



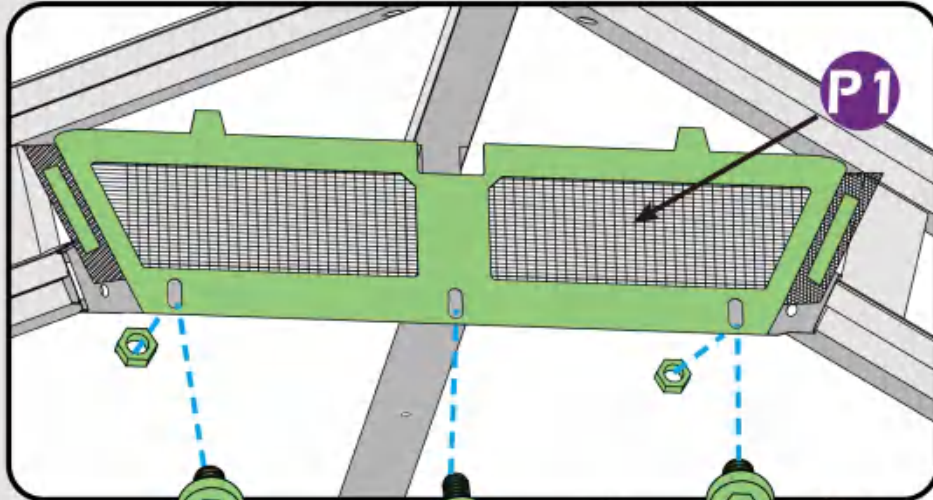
**Q2** × 2



**1#** × 4



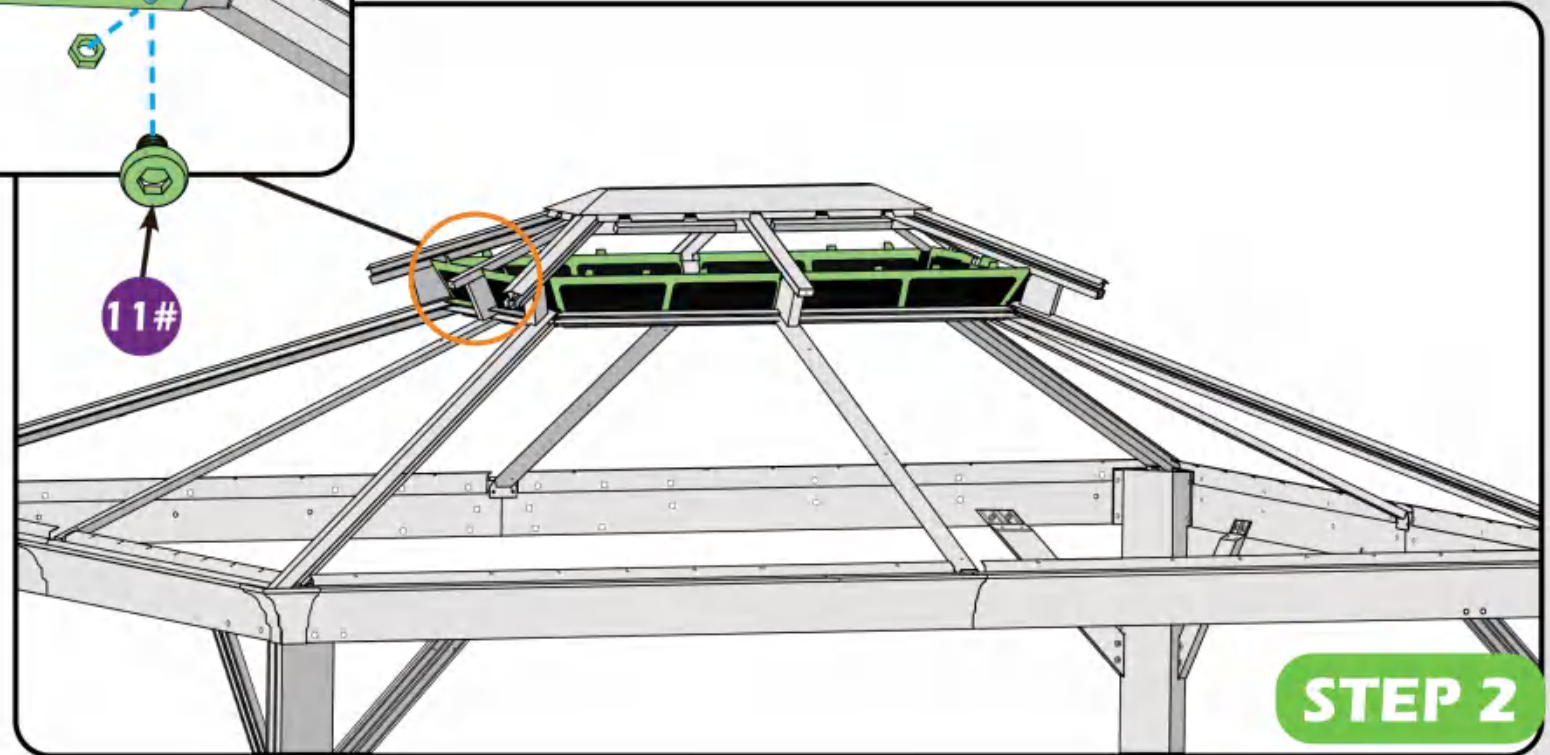
**11#** × 8



**11#**

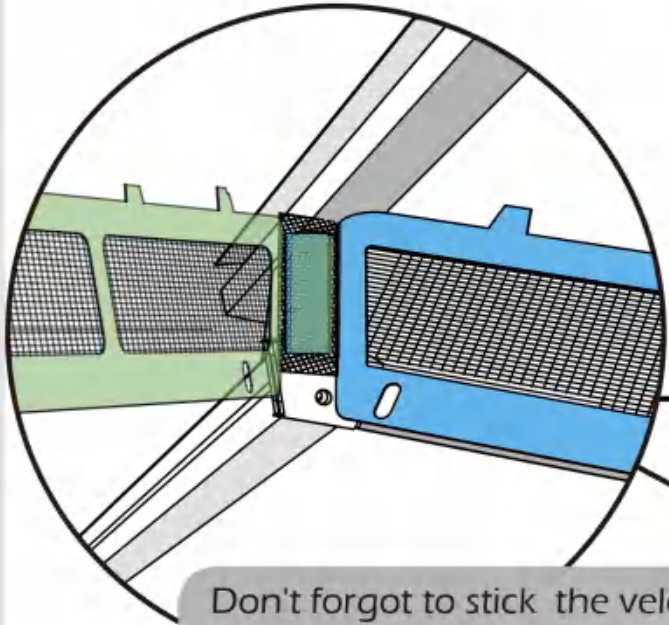
**1#**

**11#**

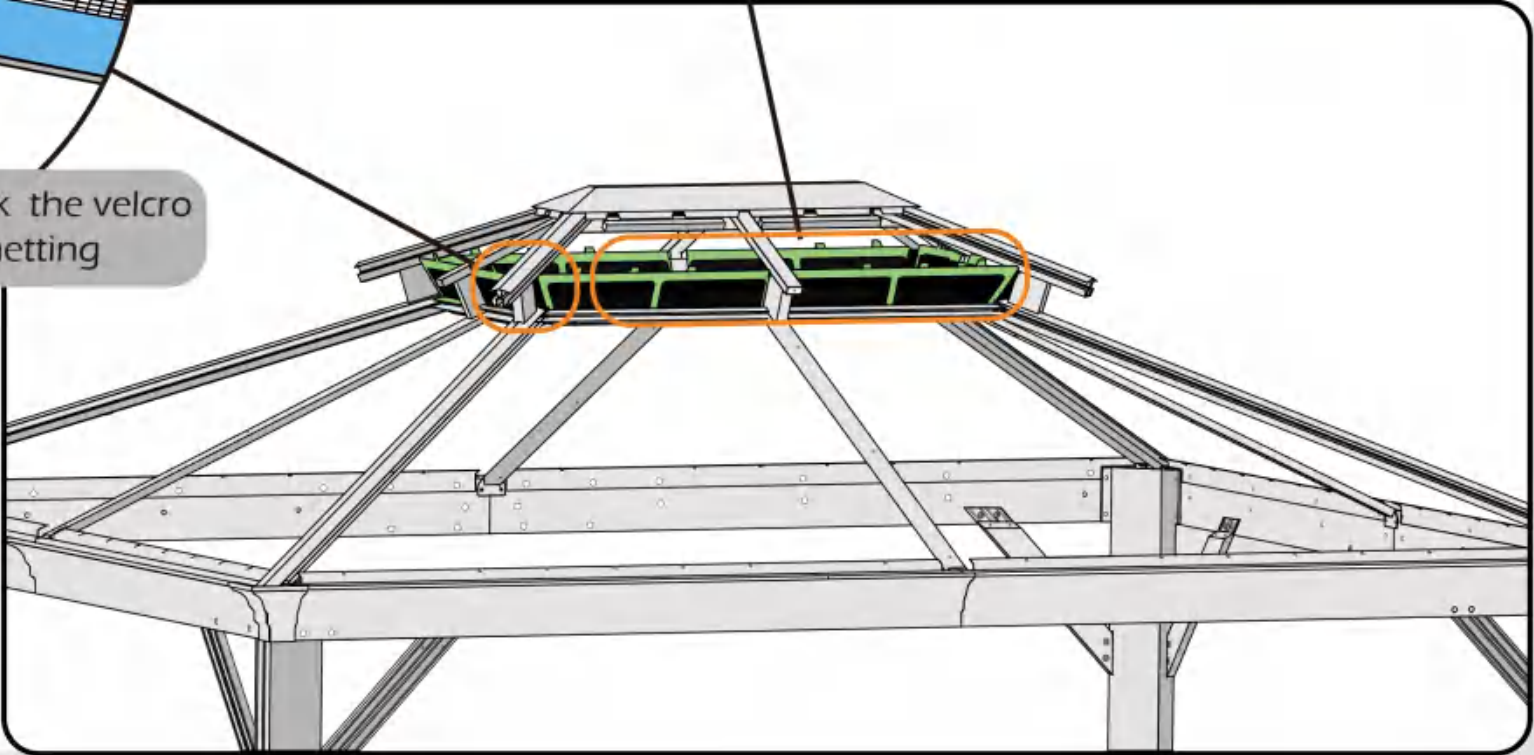
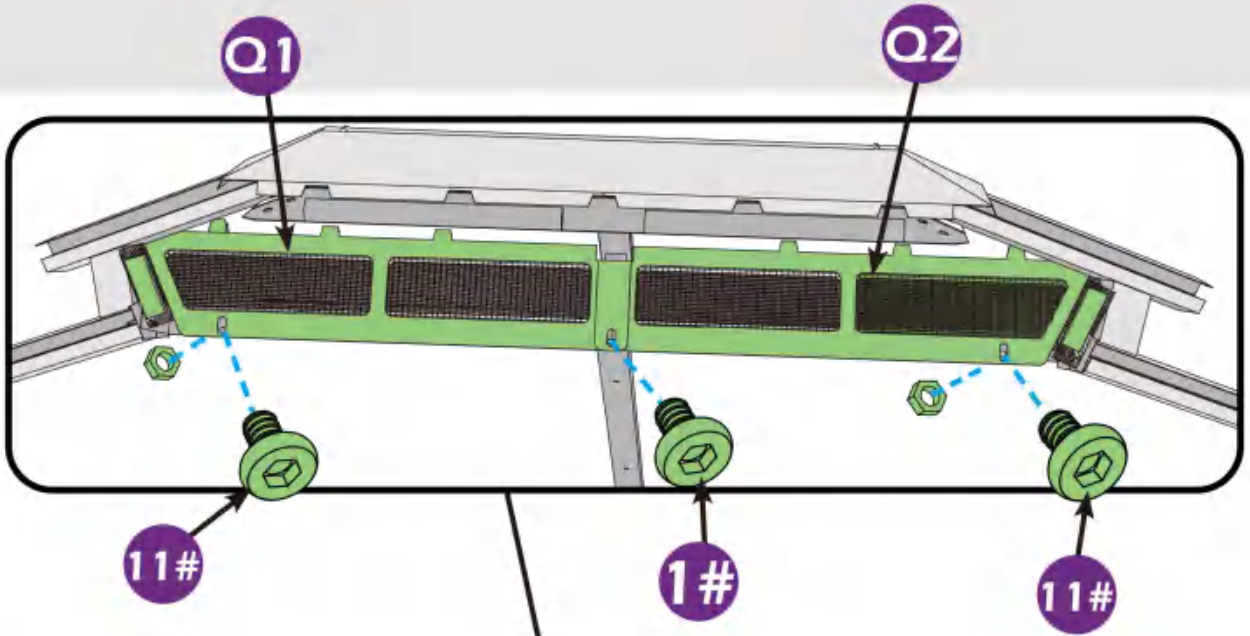


**STEP 2**





Don't forget to stick the velcro between the bug netting



**STEP 2**



T1 x 2



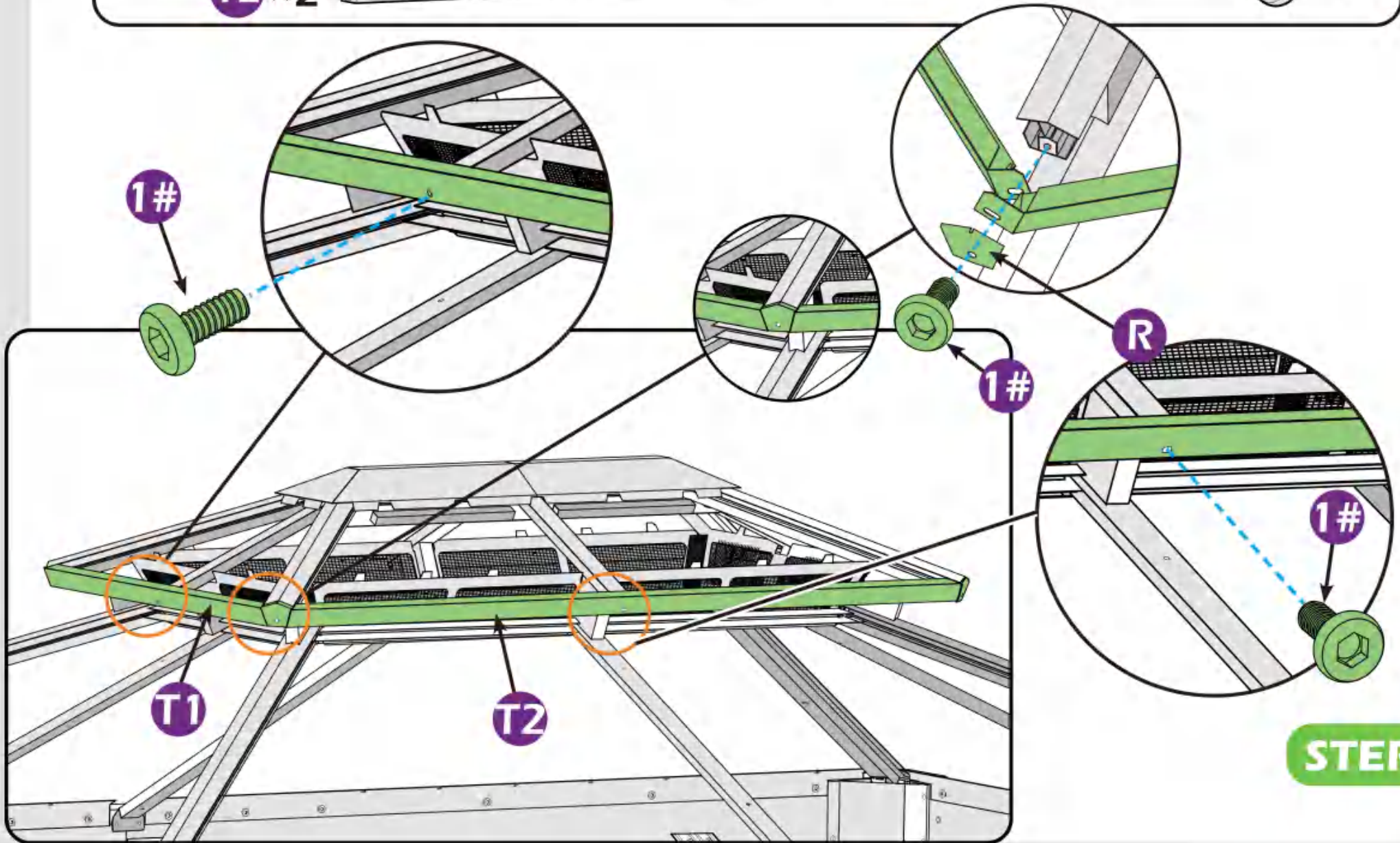
T2 x 2



R x 4



1# x 8



**STEP 2**





**STEP 3**



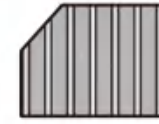
V1 x 2



V3 x 2



V4 x 2



Z1 x 4



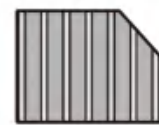
V2 x 2



V6 x 2



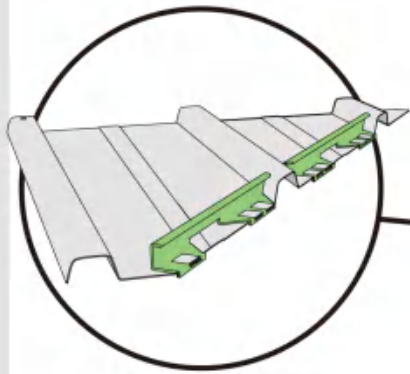
V5 x 2



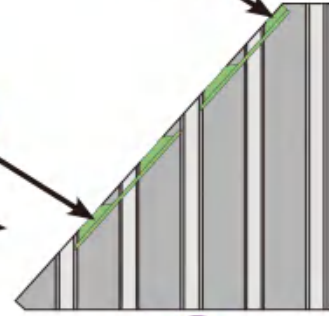
Z x 8



Z2 x 4

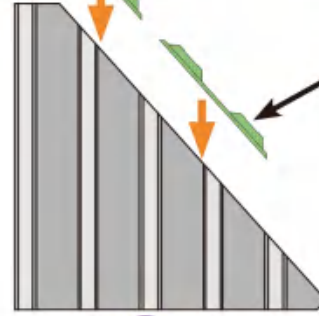


Z1



V1

Z2

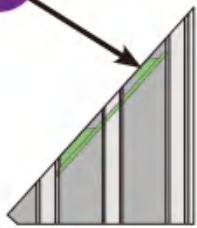


V2

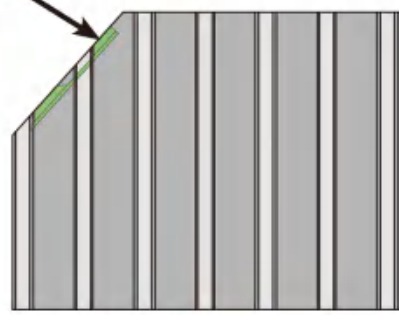
Z

Z1

Z



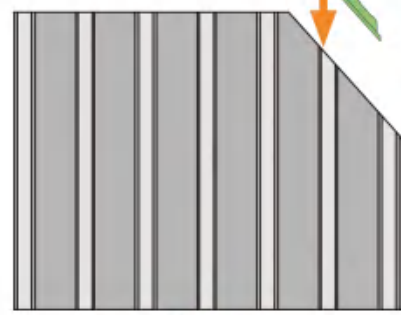
V3



V4

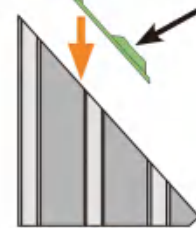
Z

Z2



V5

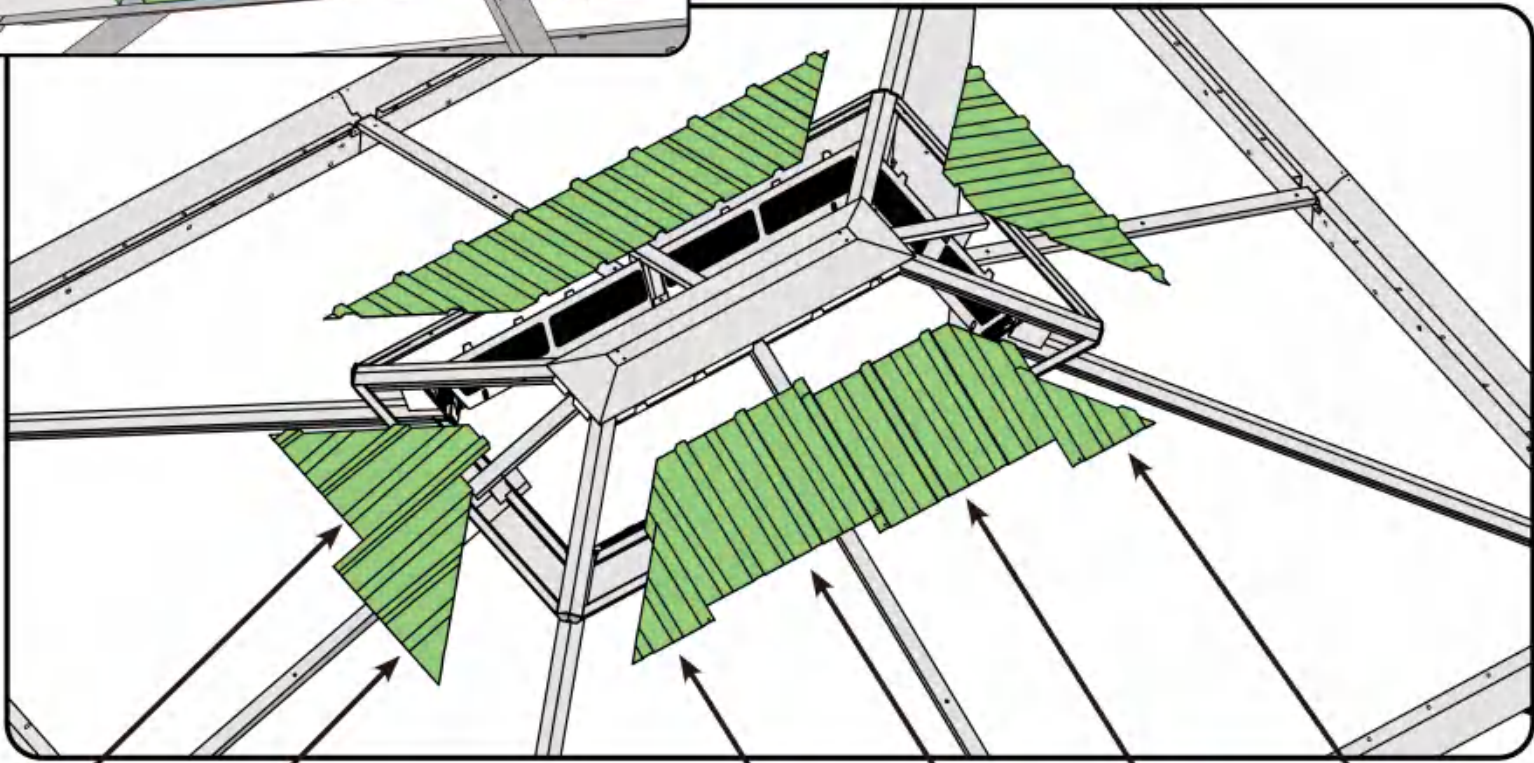
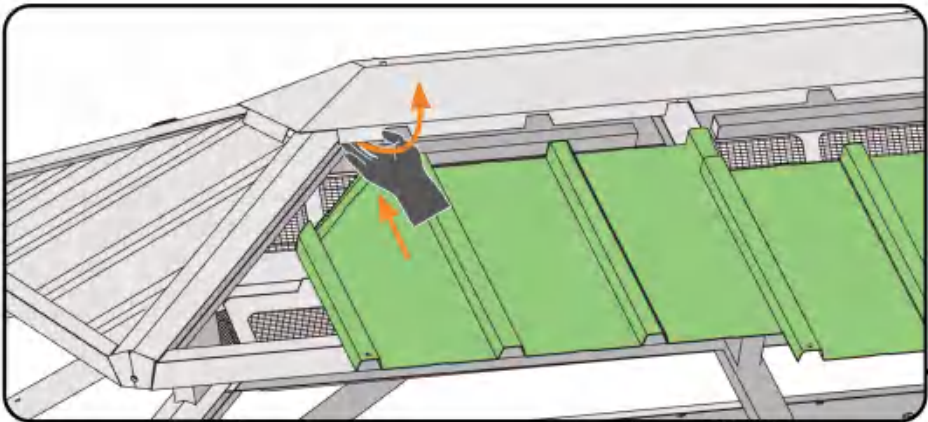
Z



V6

**STEP 3**

If you can't install **V4** or **V5**, push the part K up and try to insert them again.



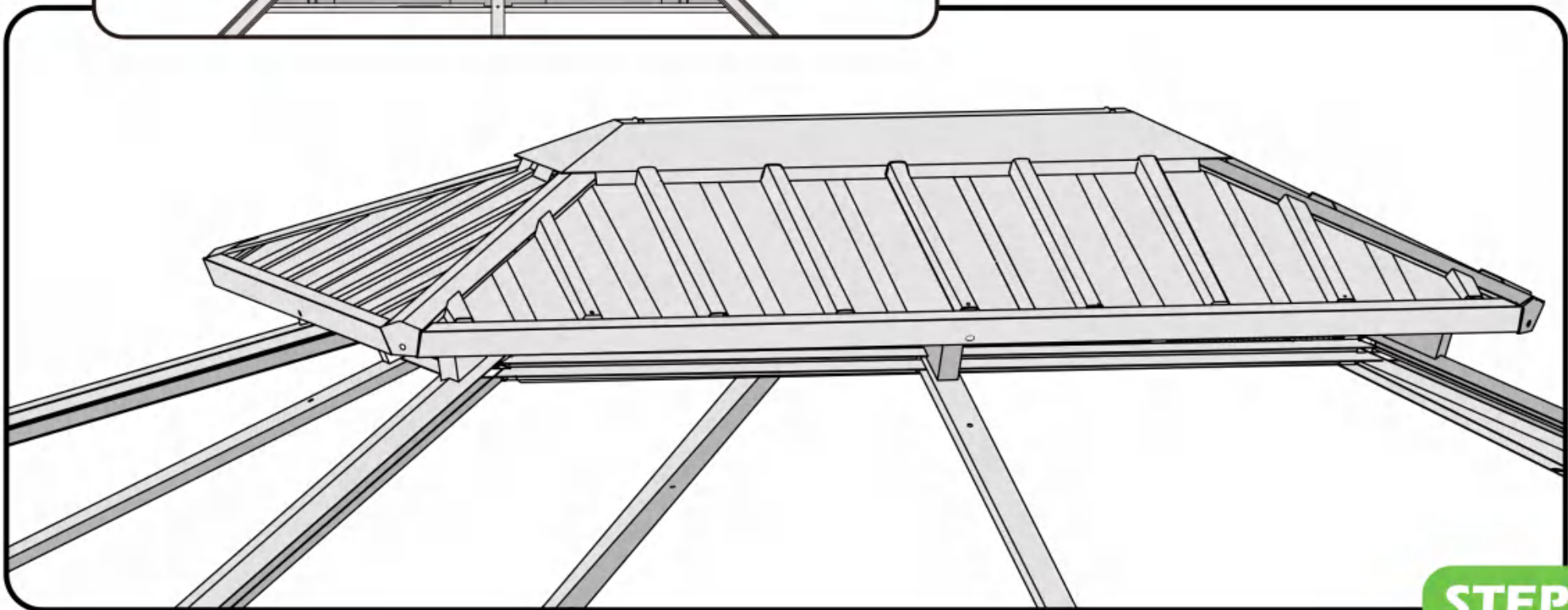
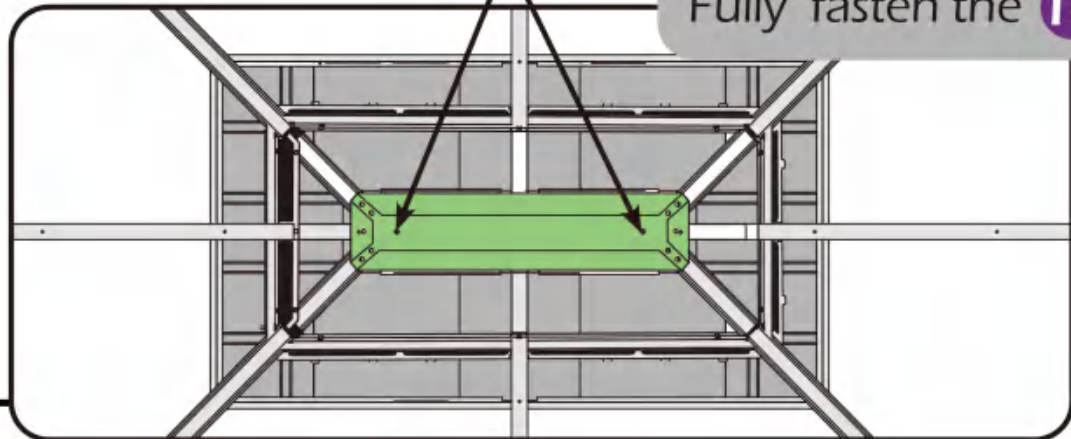
**STEP 3**

- V1
- V2
- V3
- V4
- V5
- V6



1#

Fully fasten the 1# bolts in K & K1.



STEP 3





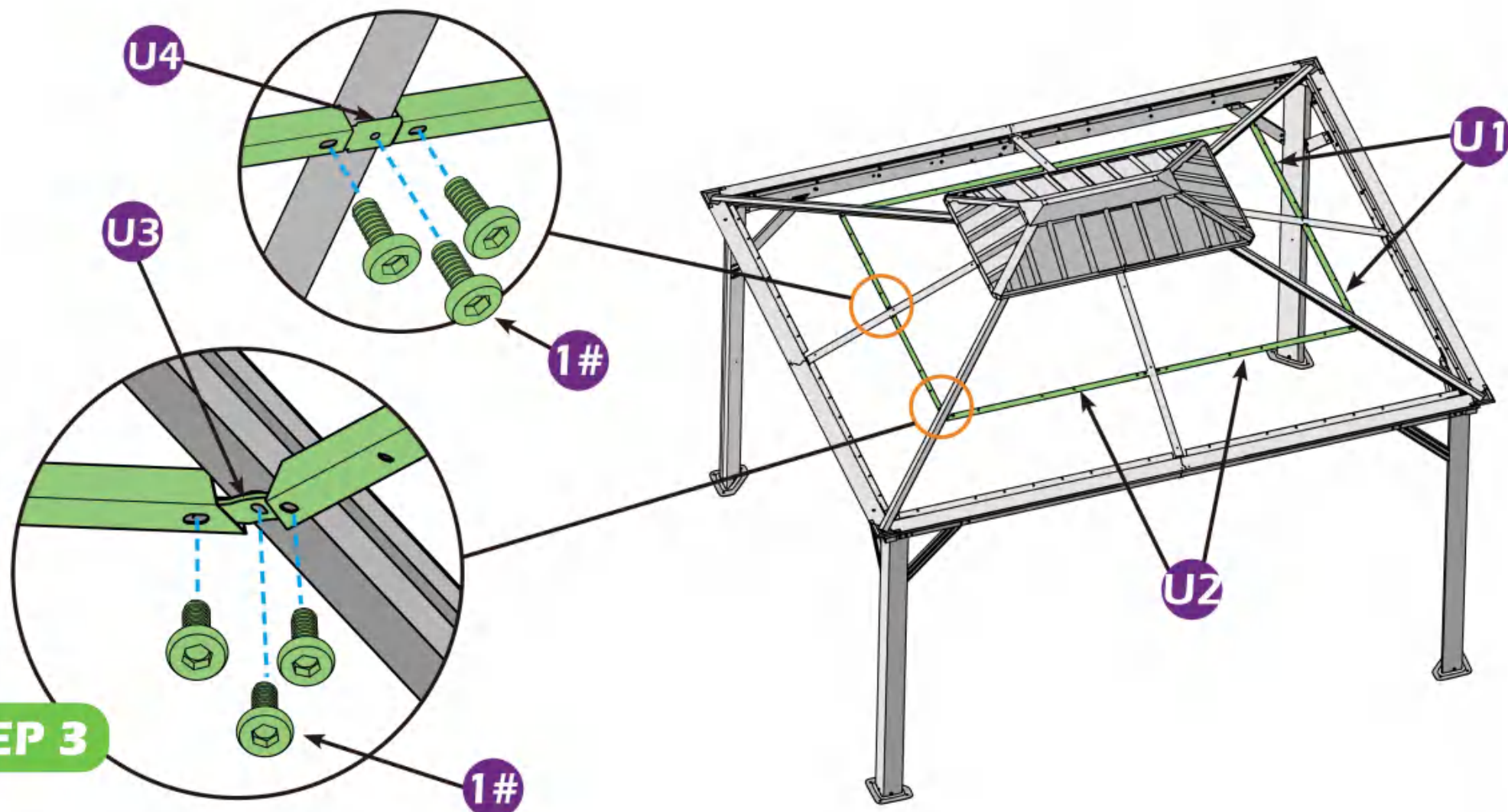
**U1** × 4

**U3** × 4

**U4** × 4

**U2** × 4

**1#** × 24



**STEP 3**



W1 x 2

W2 x 2

W3 x 2

Z x 24

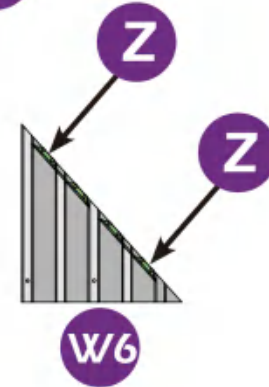
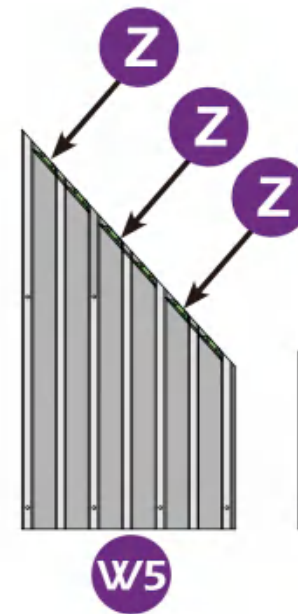
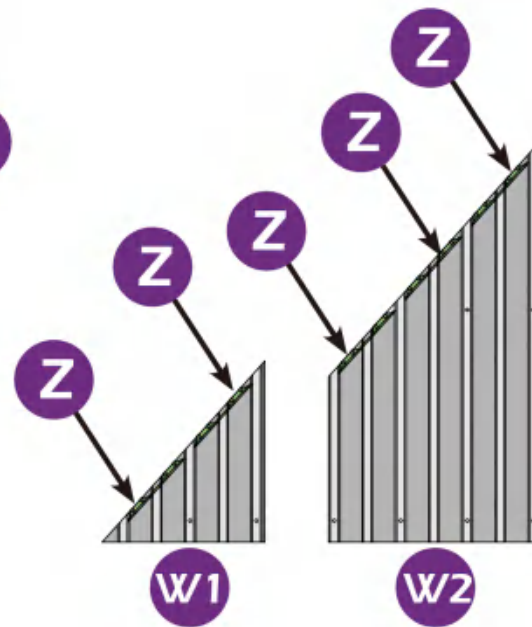
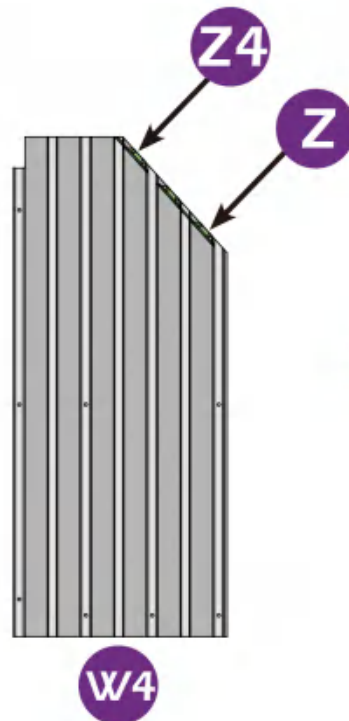
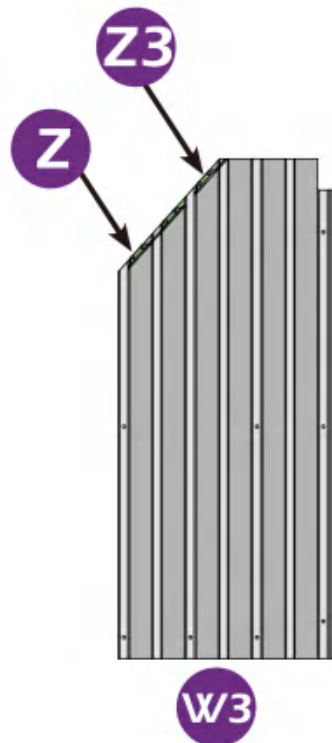
W6 x 2

W5 x 2

W4 x 2

Z3 x 2

Z4 x 2



**STEP 3**



X1 x2

X2 x2

X3 x2

X4 x2

Z x24

Z3 x2

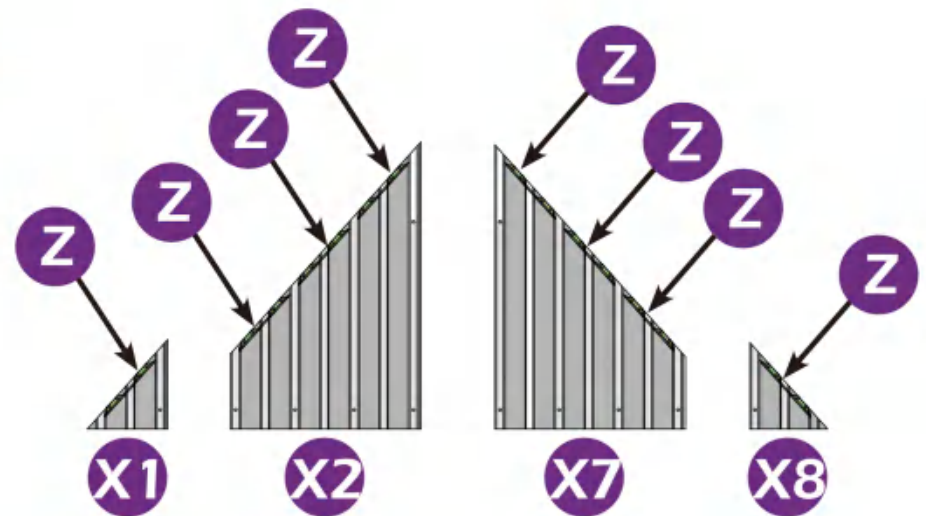
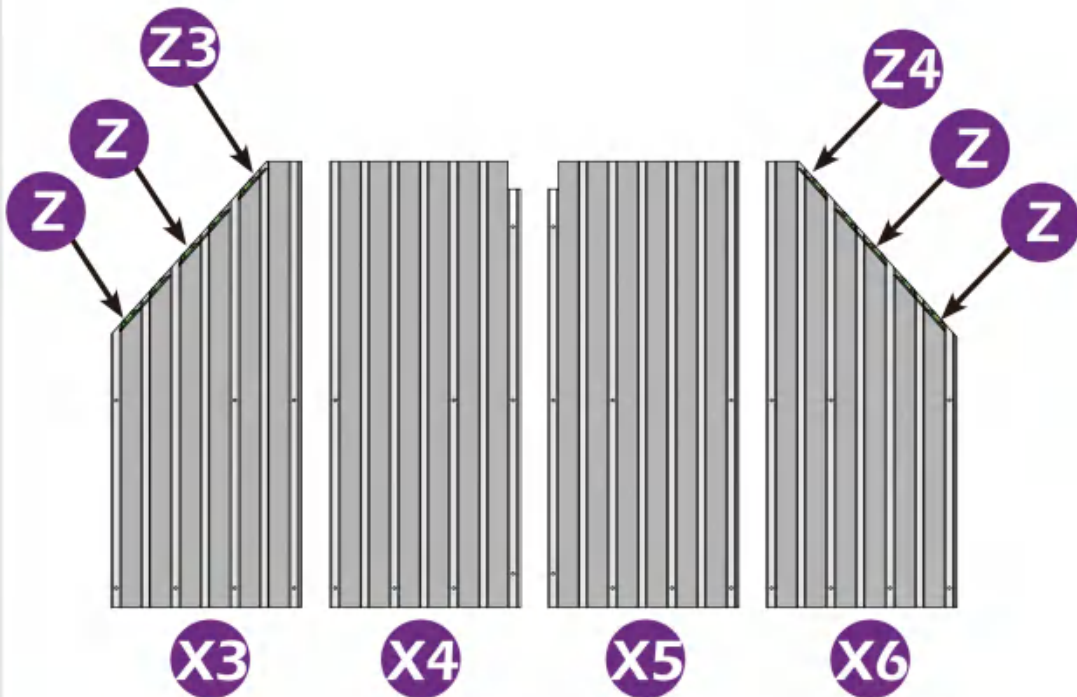
X8 x2

X7 x2

X6 x2

X5 x2

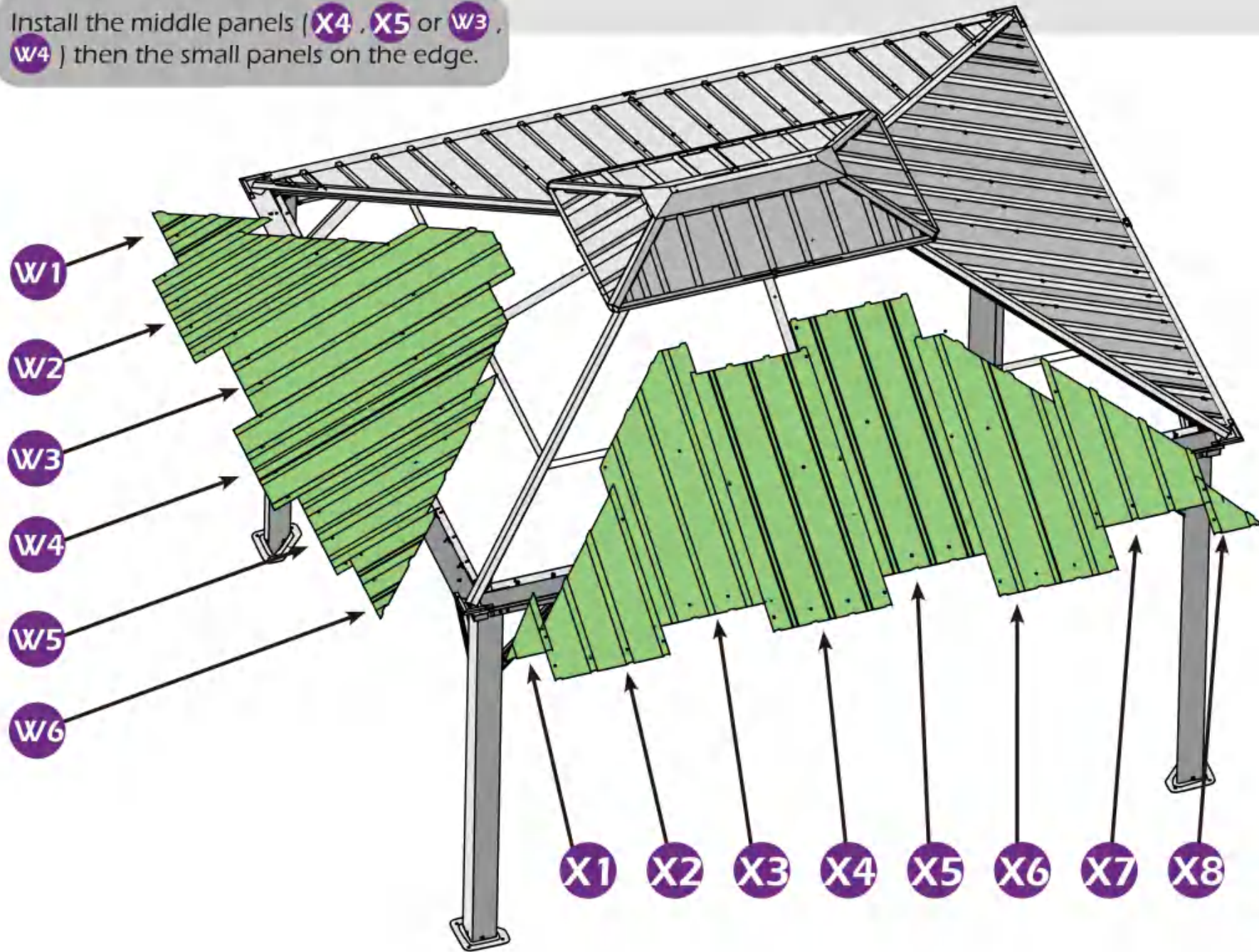
Z4 x2



### STEP 3



Install the middle panels ( X4 , X5 or W3 , W4 ) then the small panels on the edge.

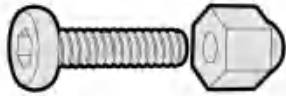


**STEP 3**





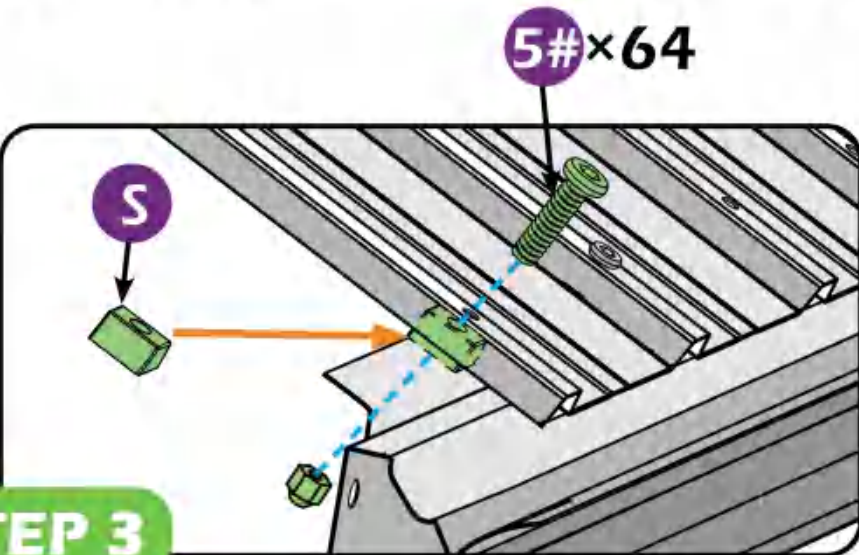
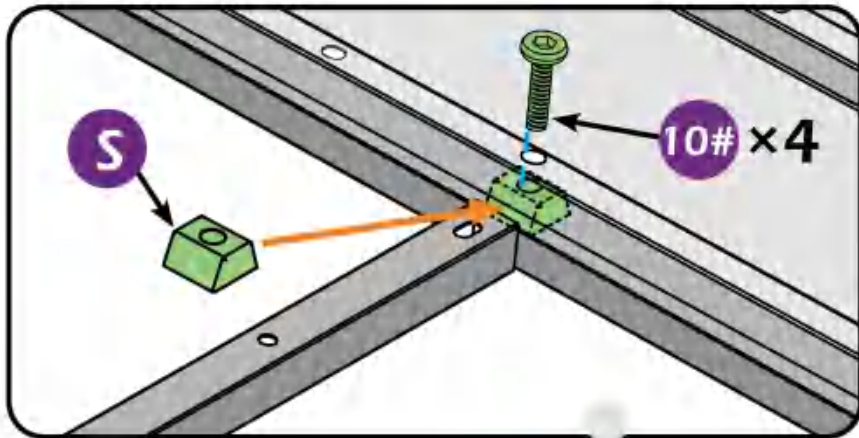
5#×64



10#×4

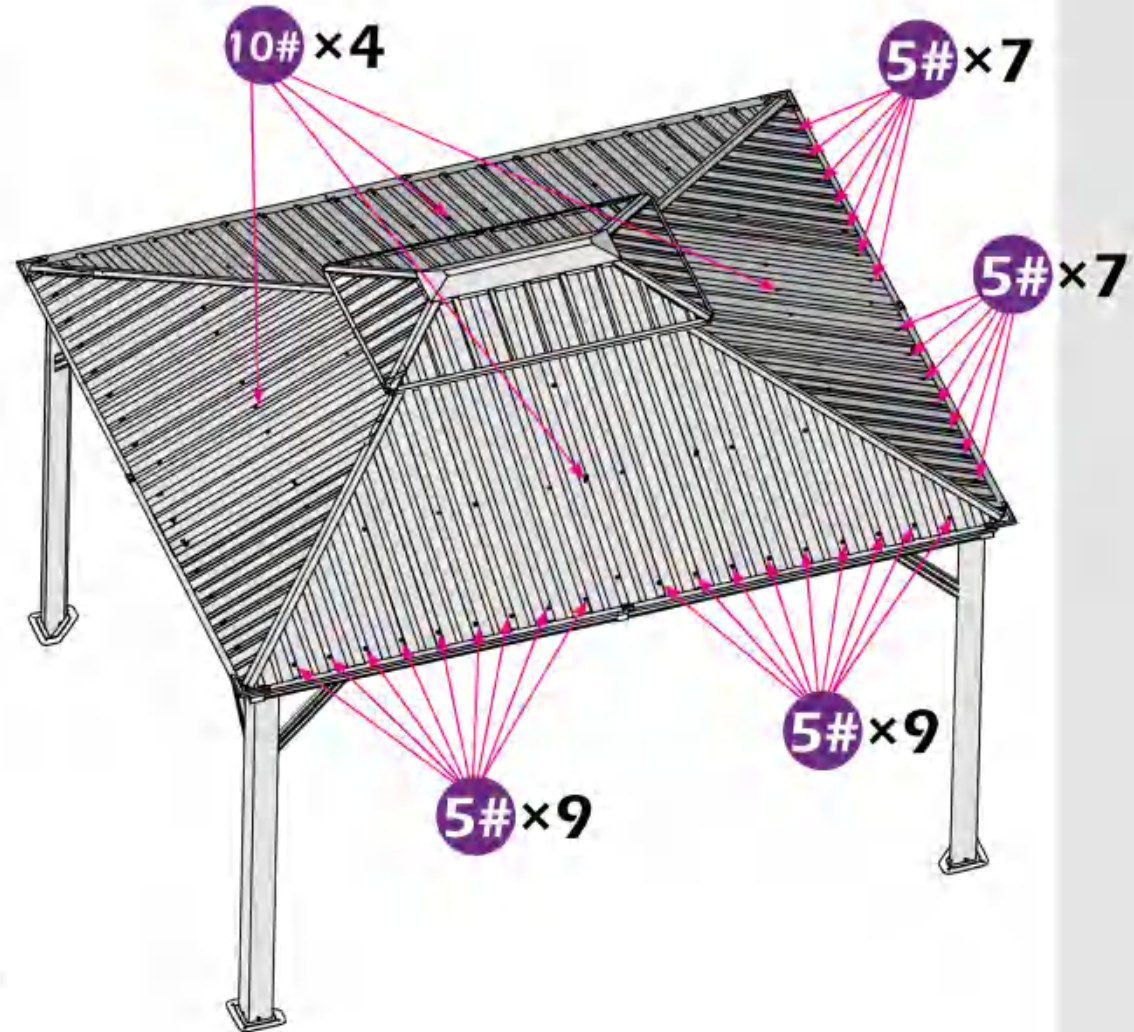


S×68



5#×64

STEP 3



10#×4

5#×7

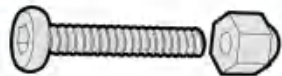
5#×7

5#×9

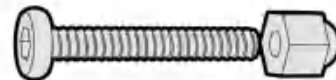
5#×9



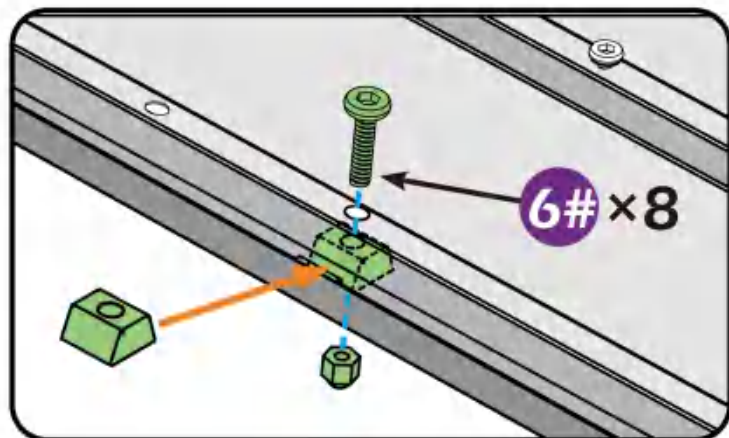
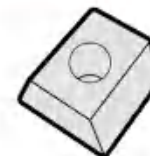
6#×8



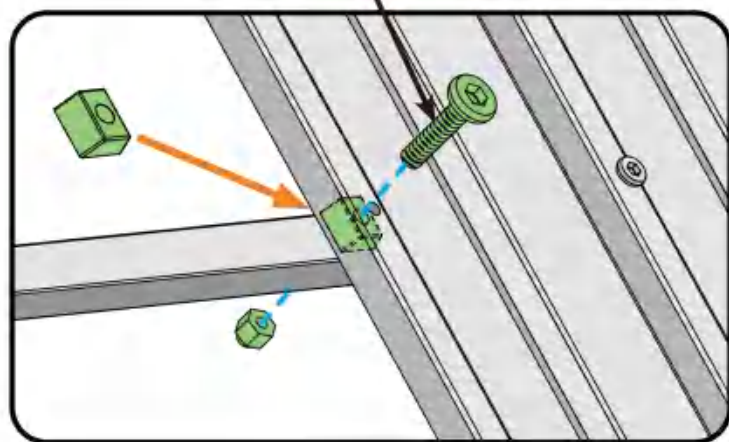
7#×28



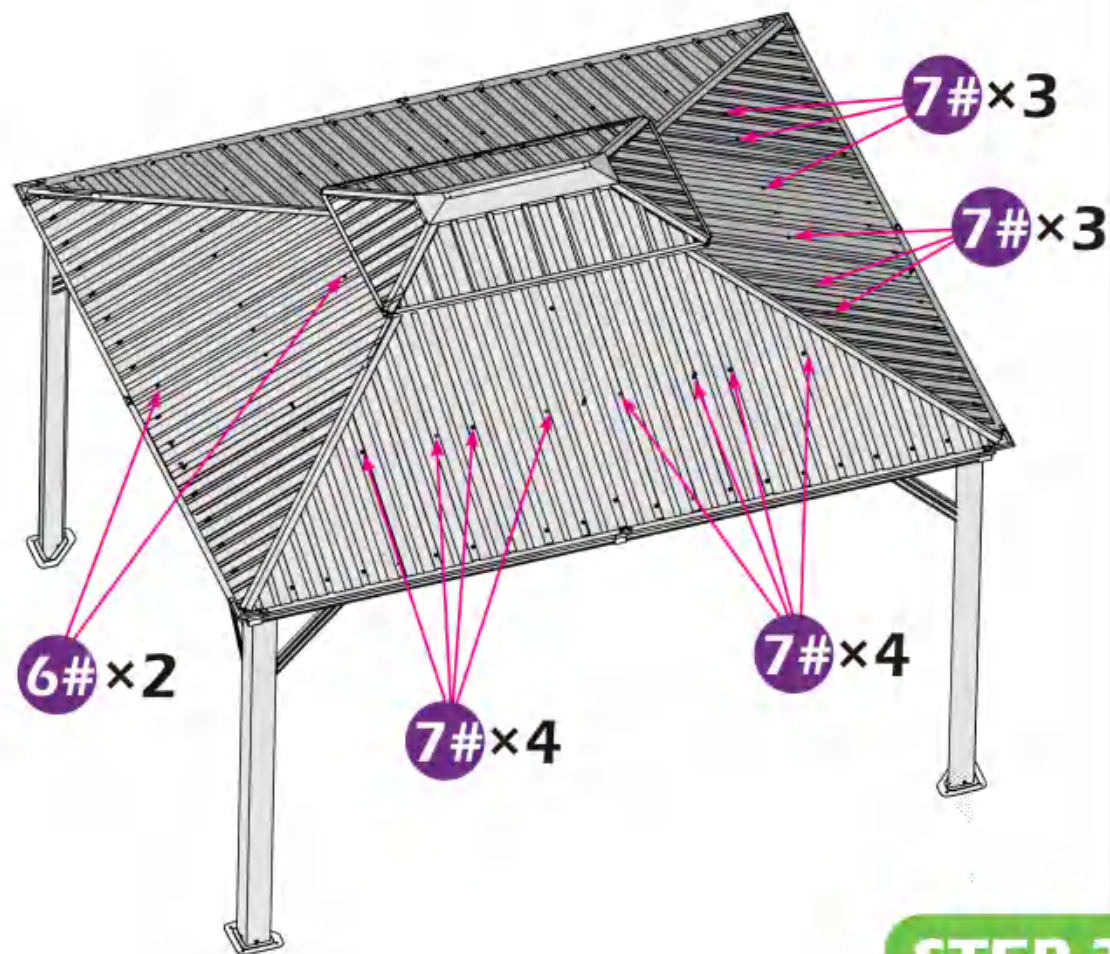
S×36



6#×8

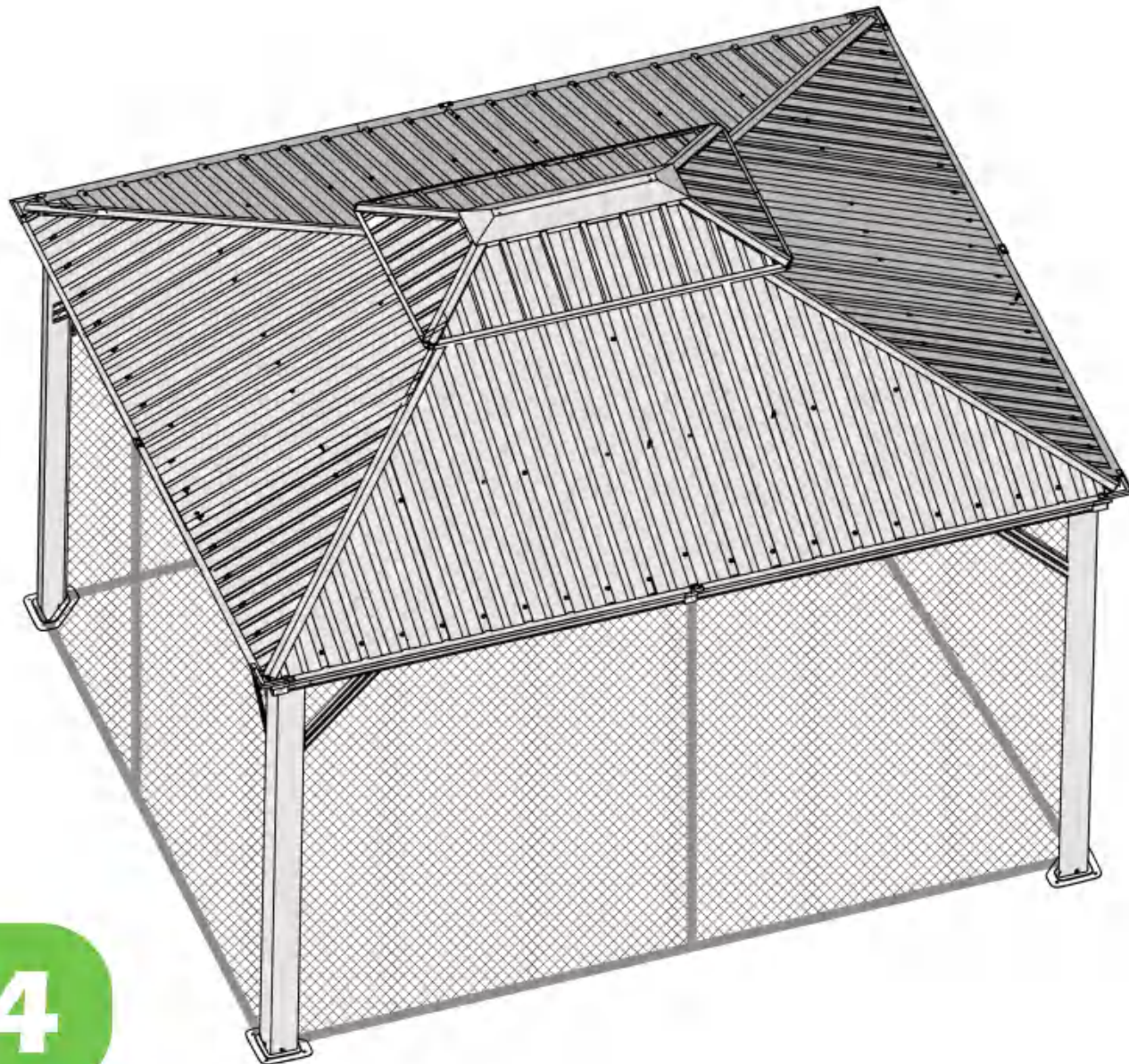


7#×28



**STEP 3**





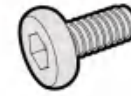
**STEP 4**



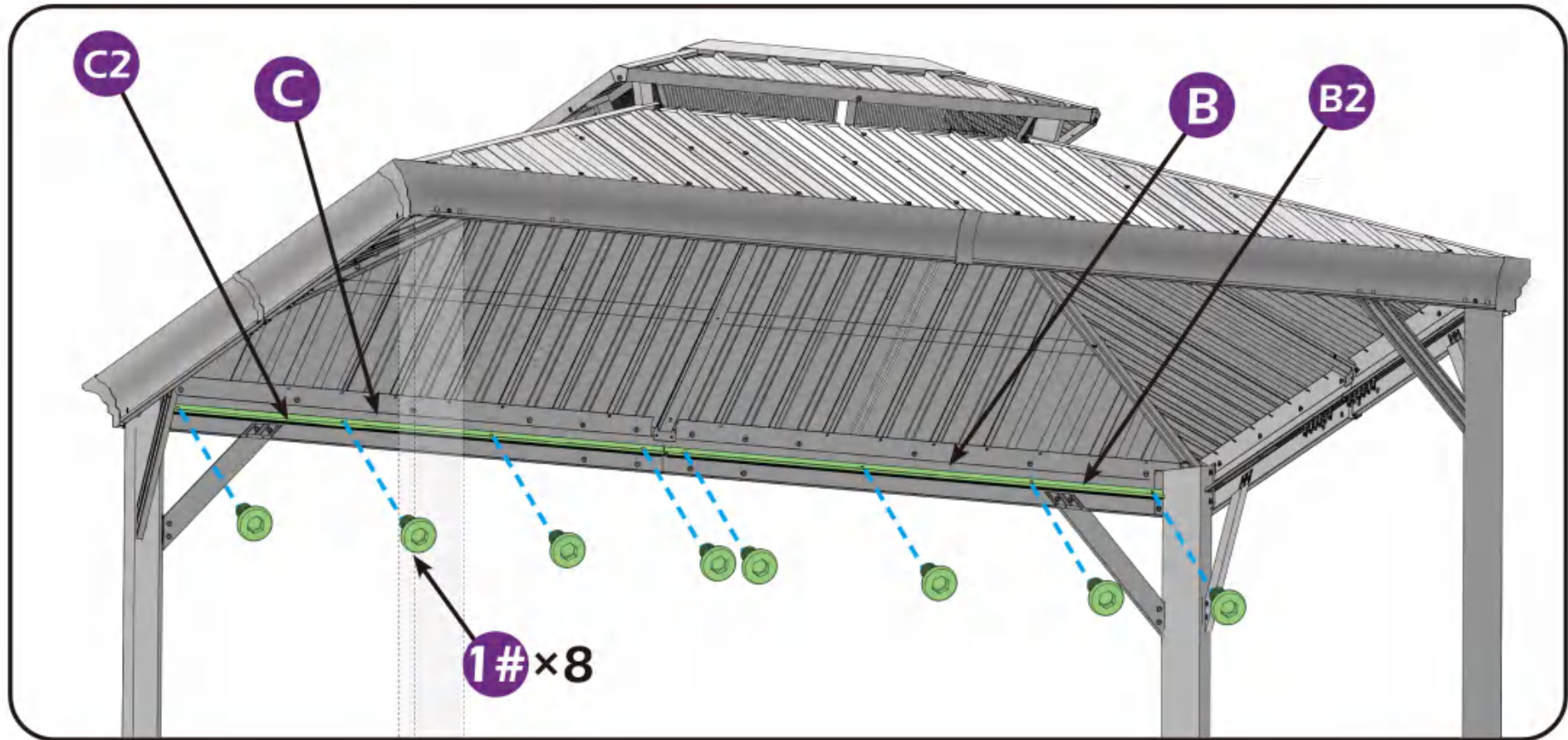
**B2** × 2



**1#** × 16



**C2** × 2



**STEP 4**





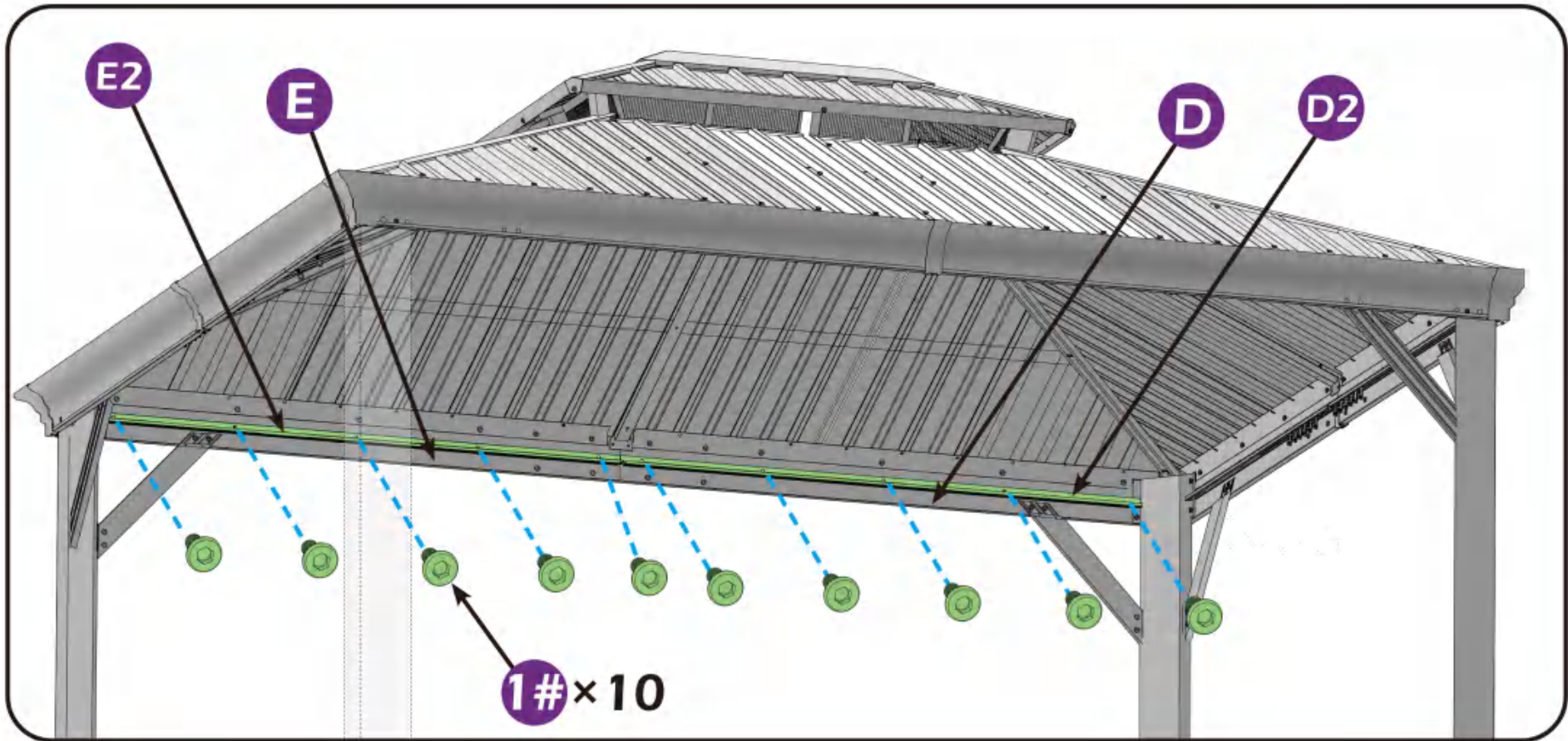
D2 × 2



1# × 20



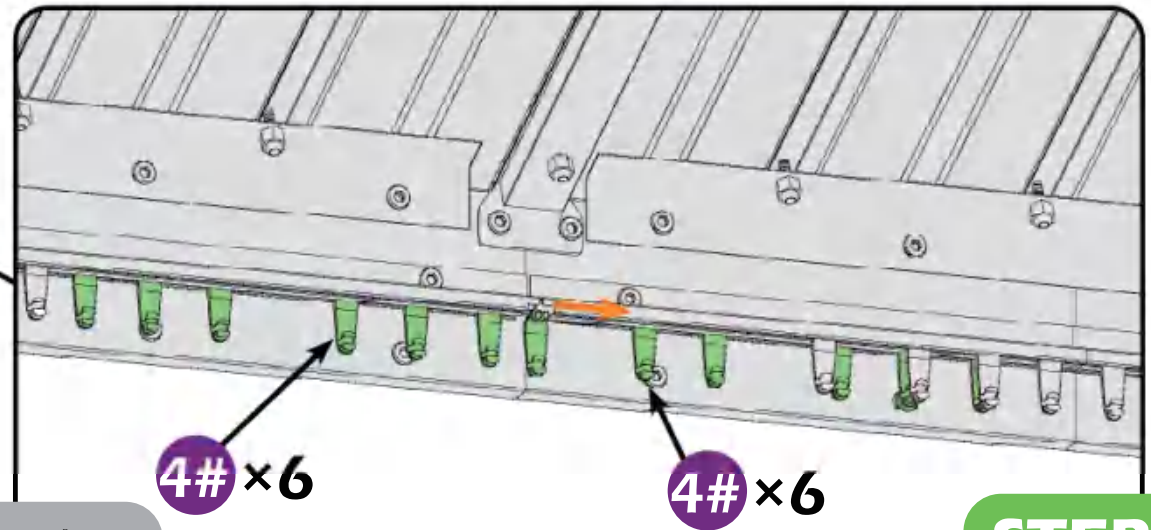
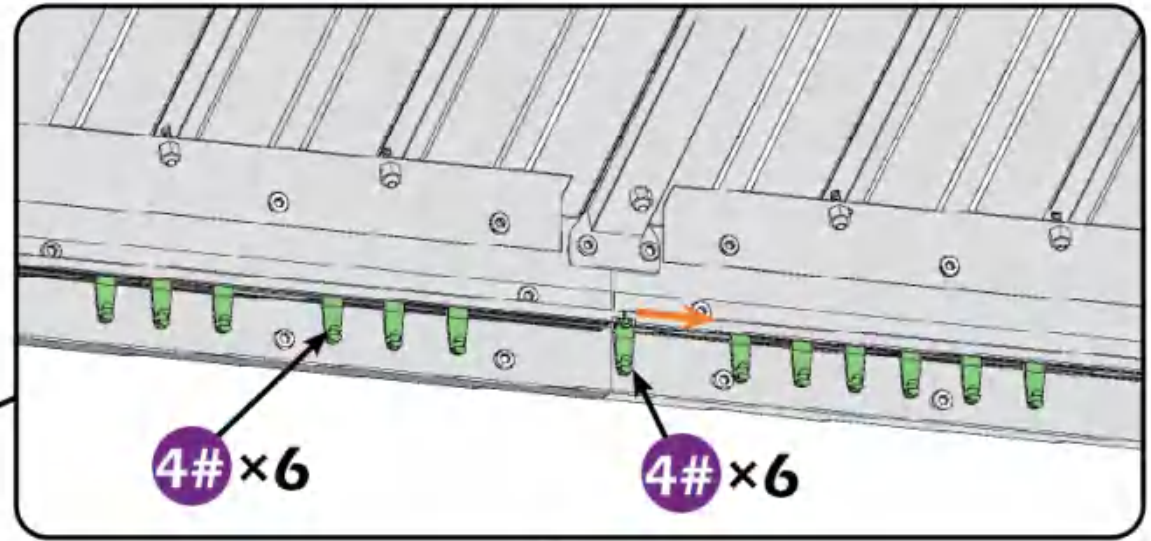
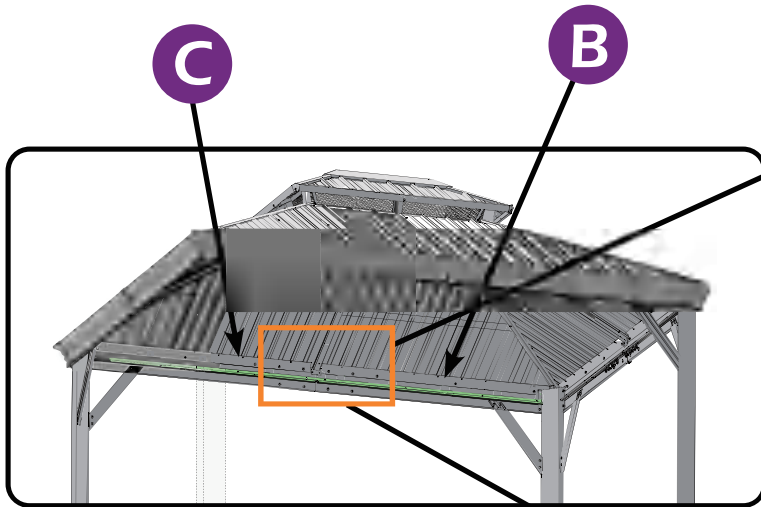
E2 × 2



**STEP 4**



4#×48



Here are two rails for curtains and netting.

**STEP 4**

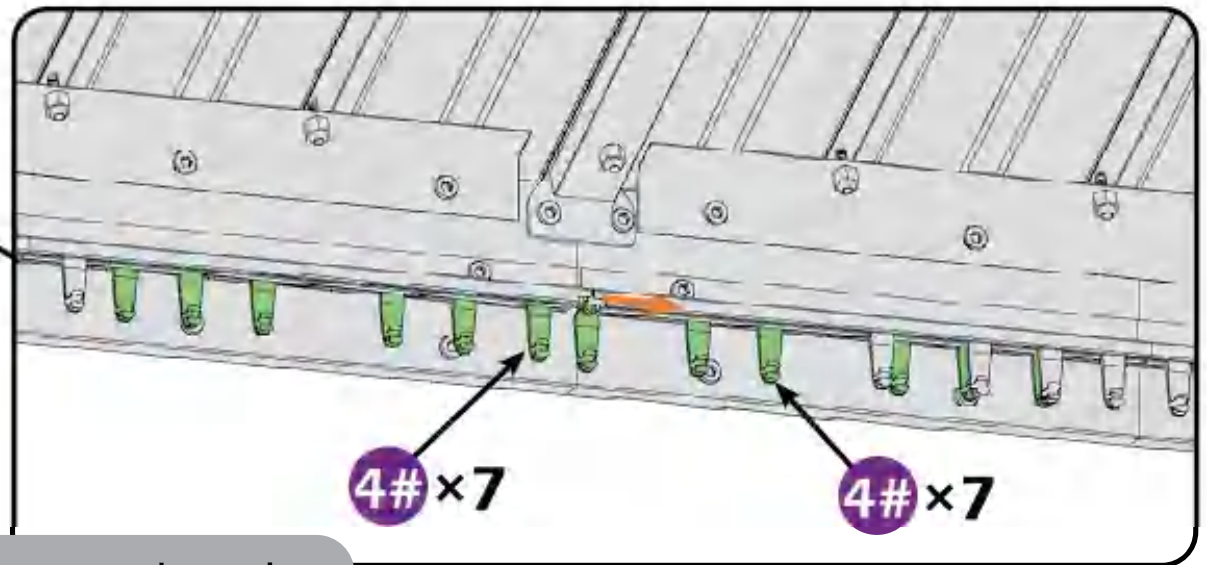
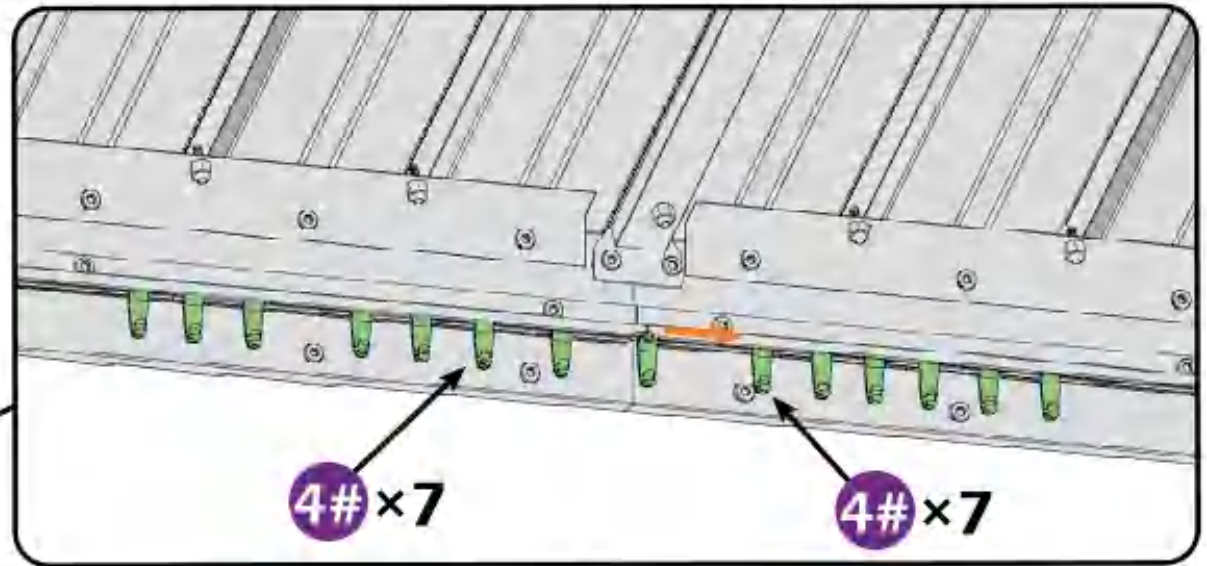
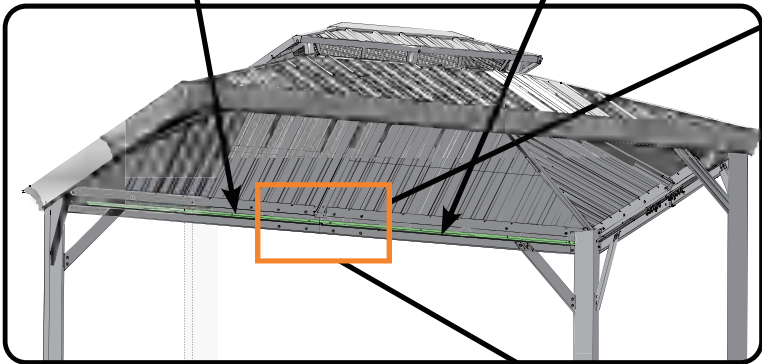


4#×56



E

D



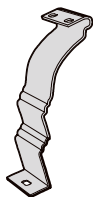
## STEP 4

Here are two rails for curtains and netting.

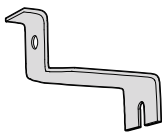




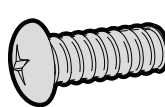
H×4



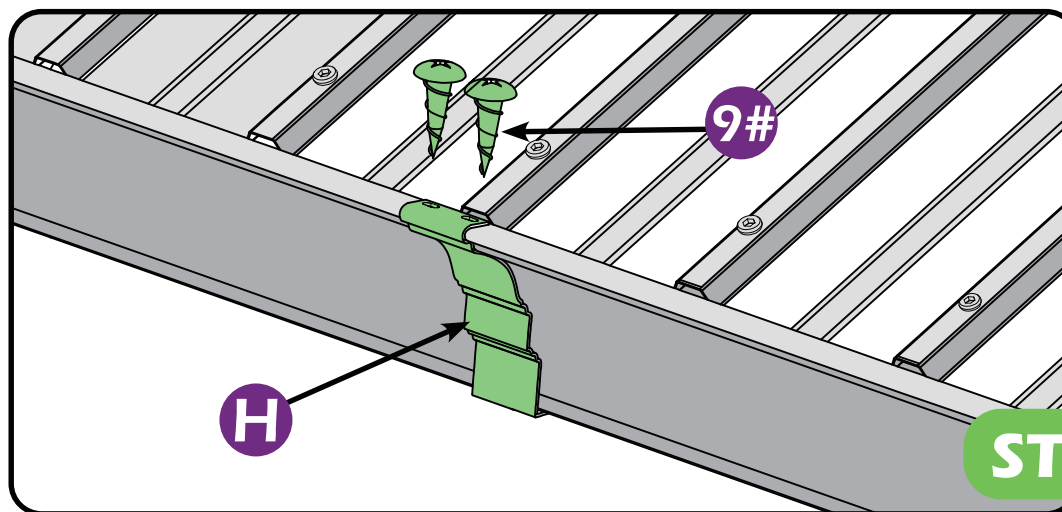
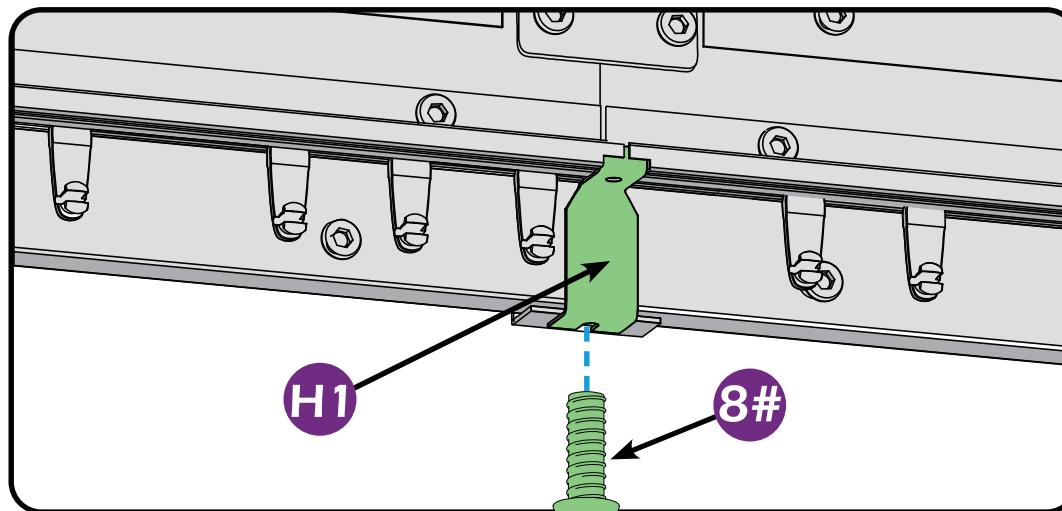
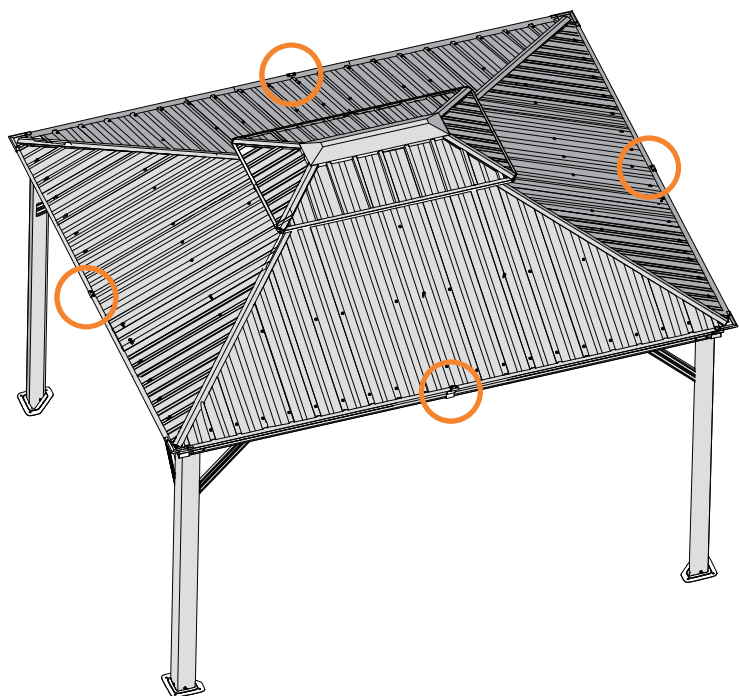
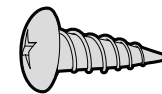
H1×4



8#×4



9#×8

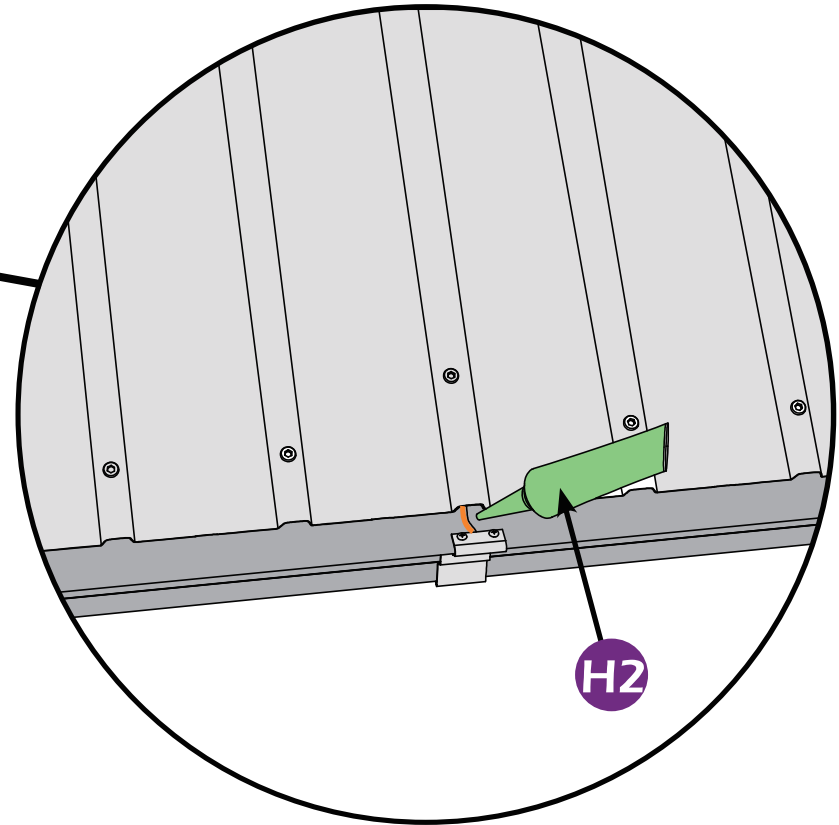
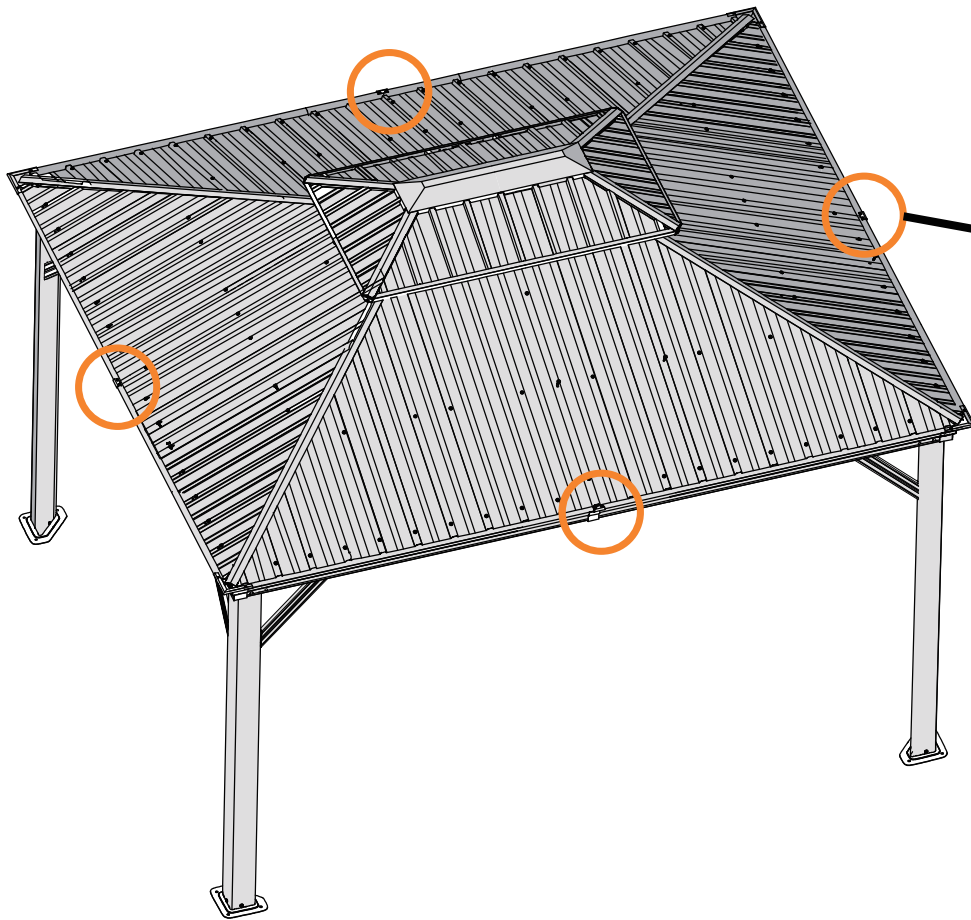
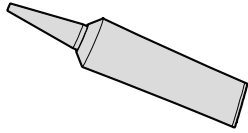


**STEP 4**





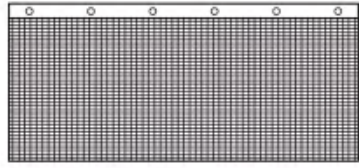
**H2** × 1



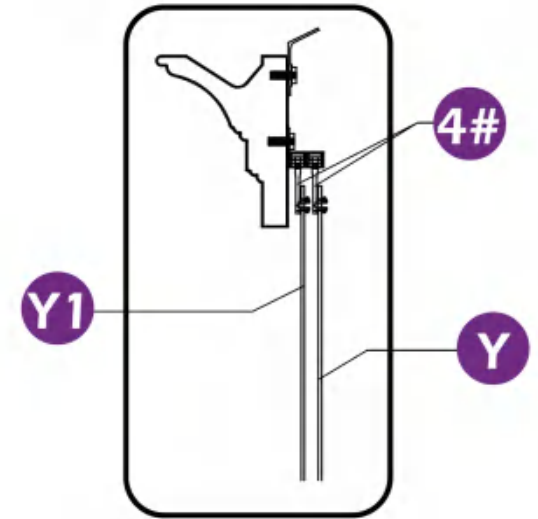
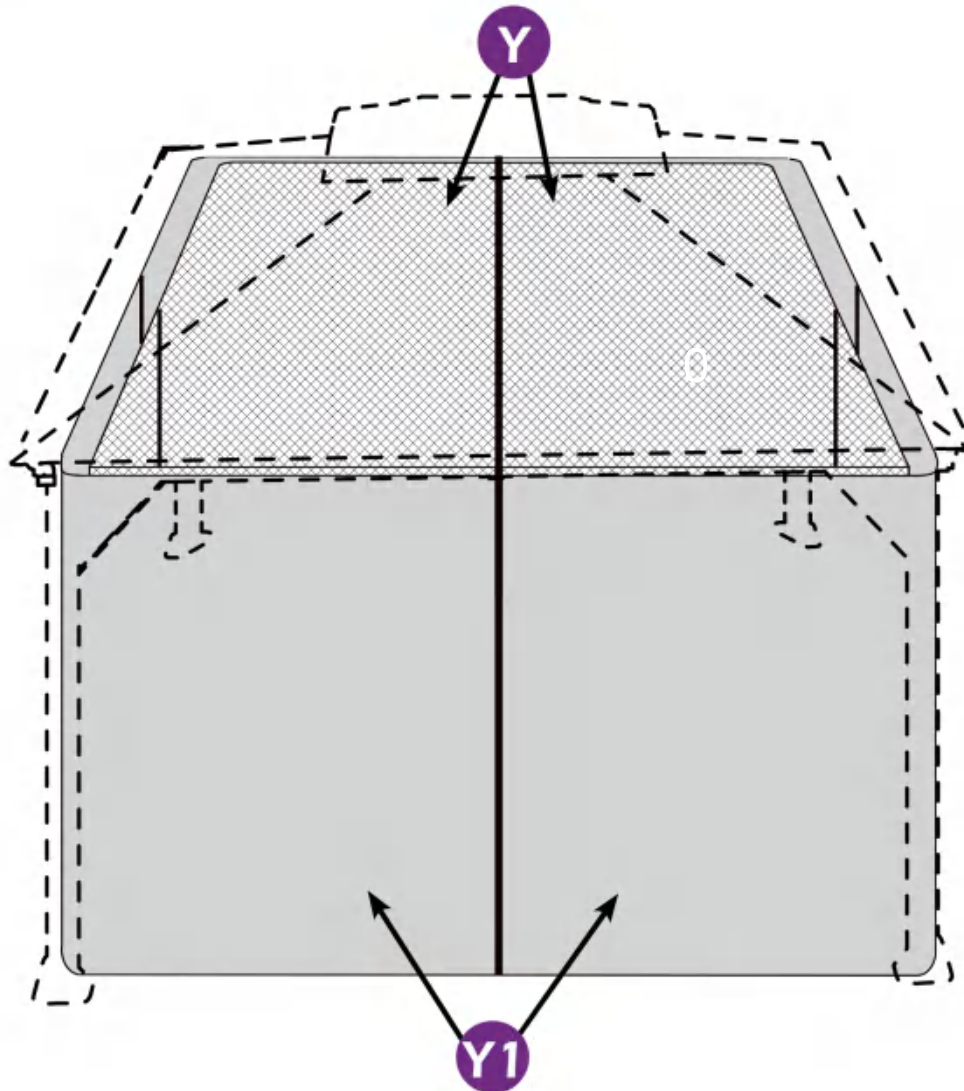
**STEP 4**



**Y** × 4



**Y1** × 4

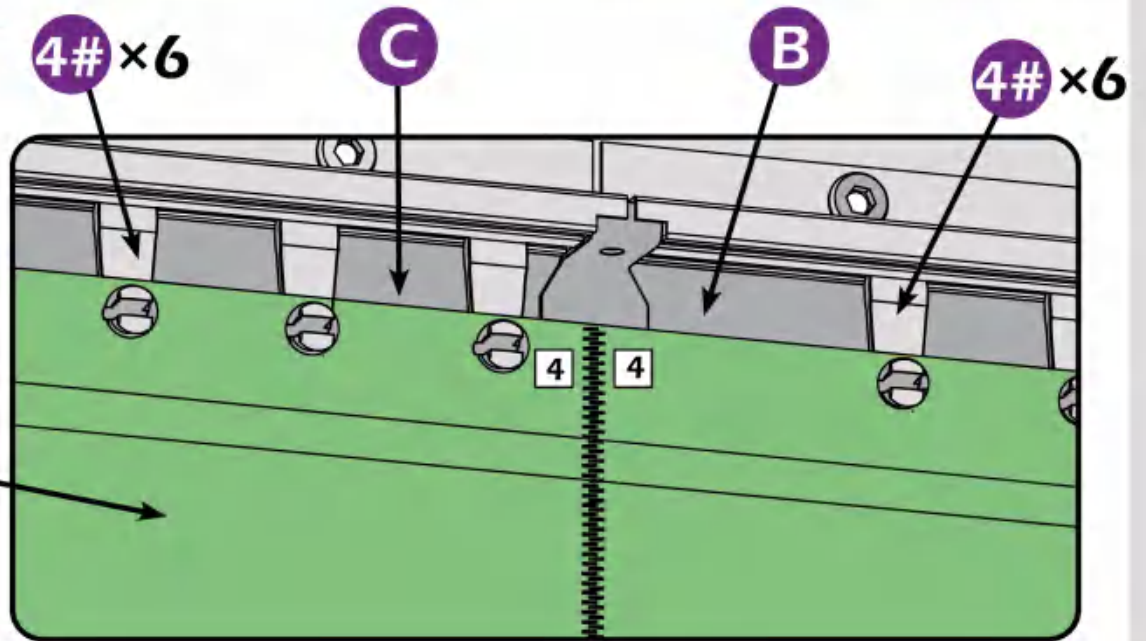
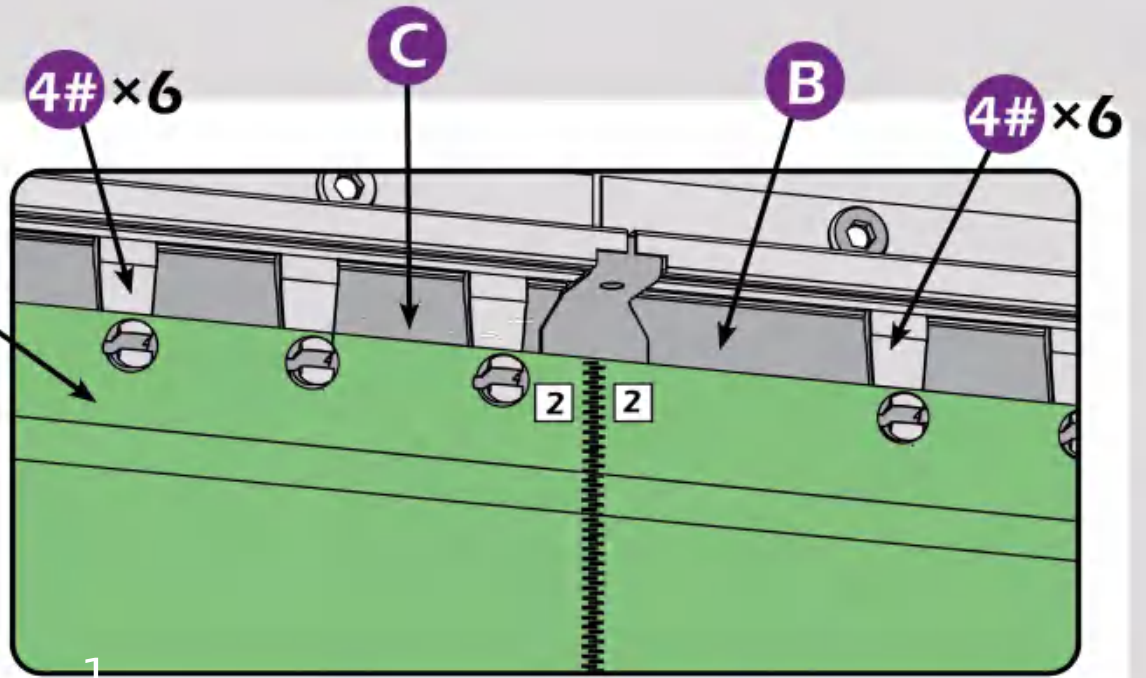


**STEP 4**

There are 12 hooks in width(6 in each side).



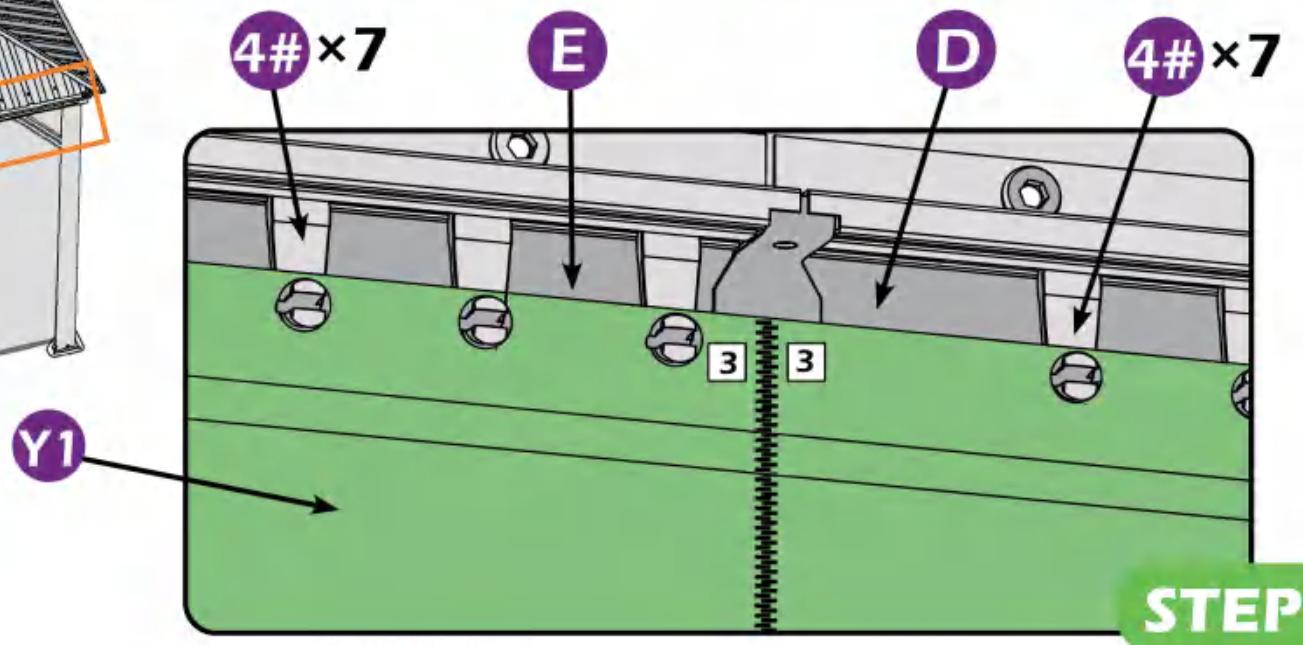
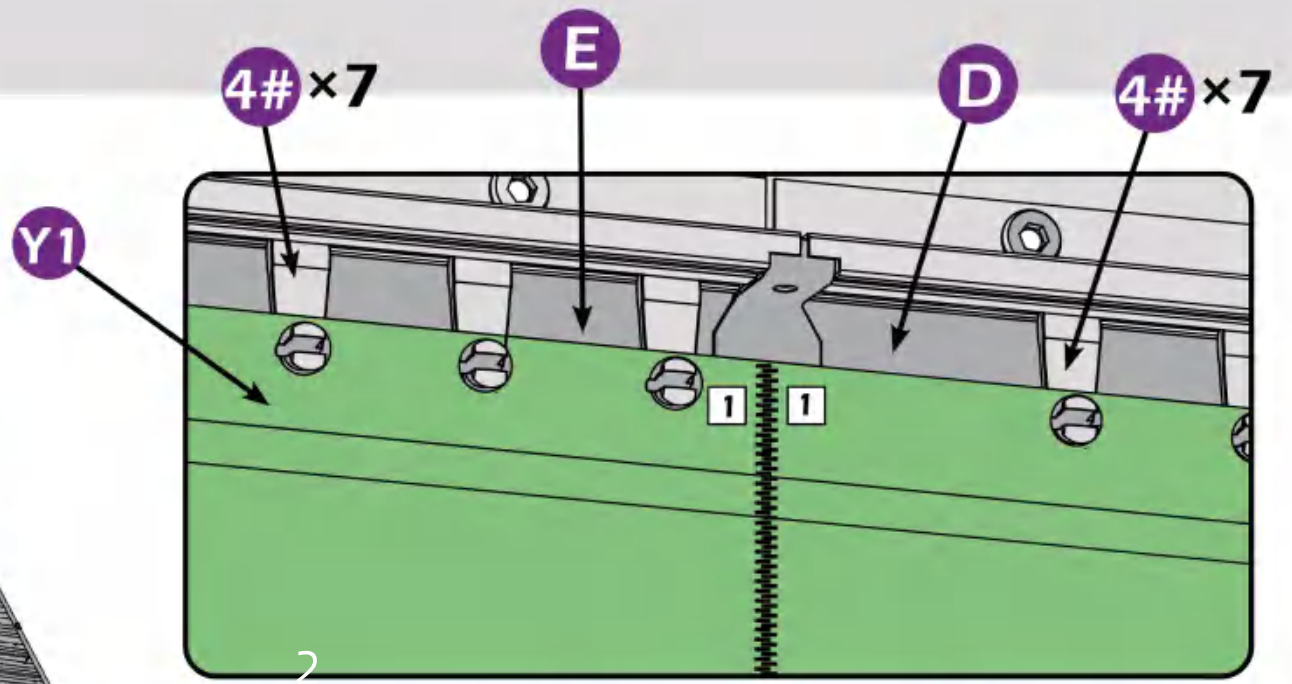
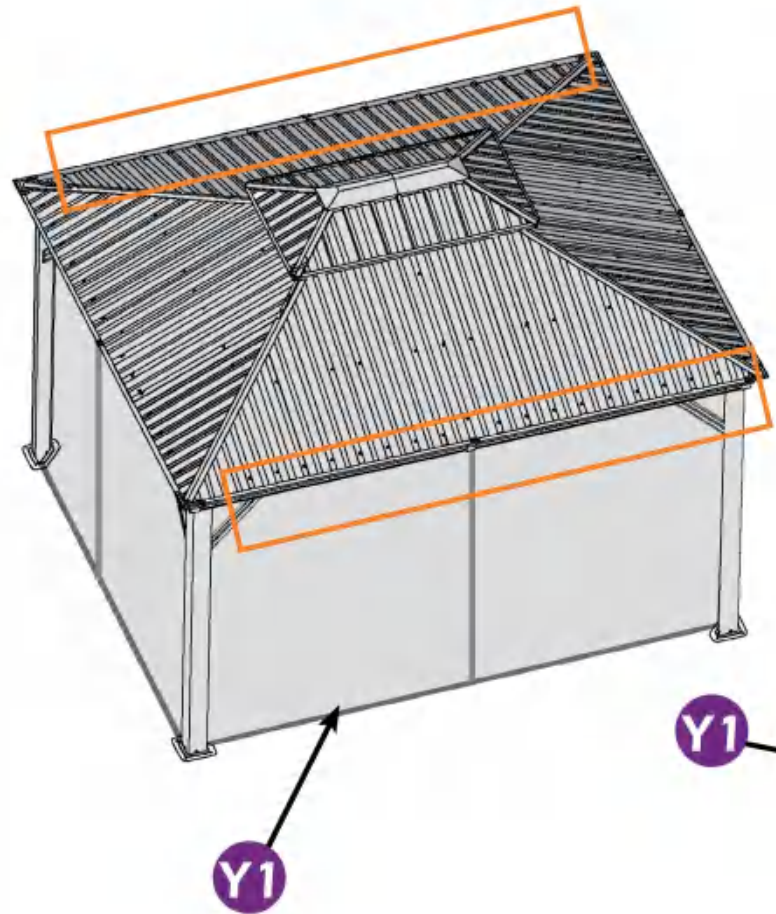
Y1



**STEP 4**

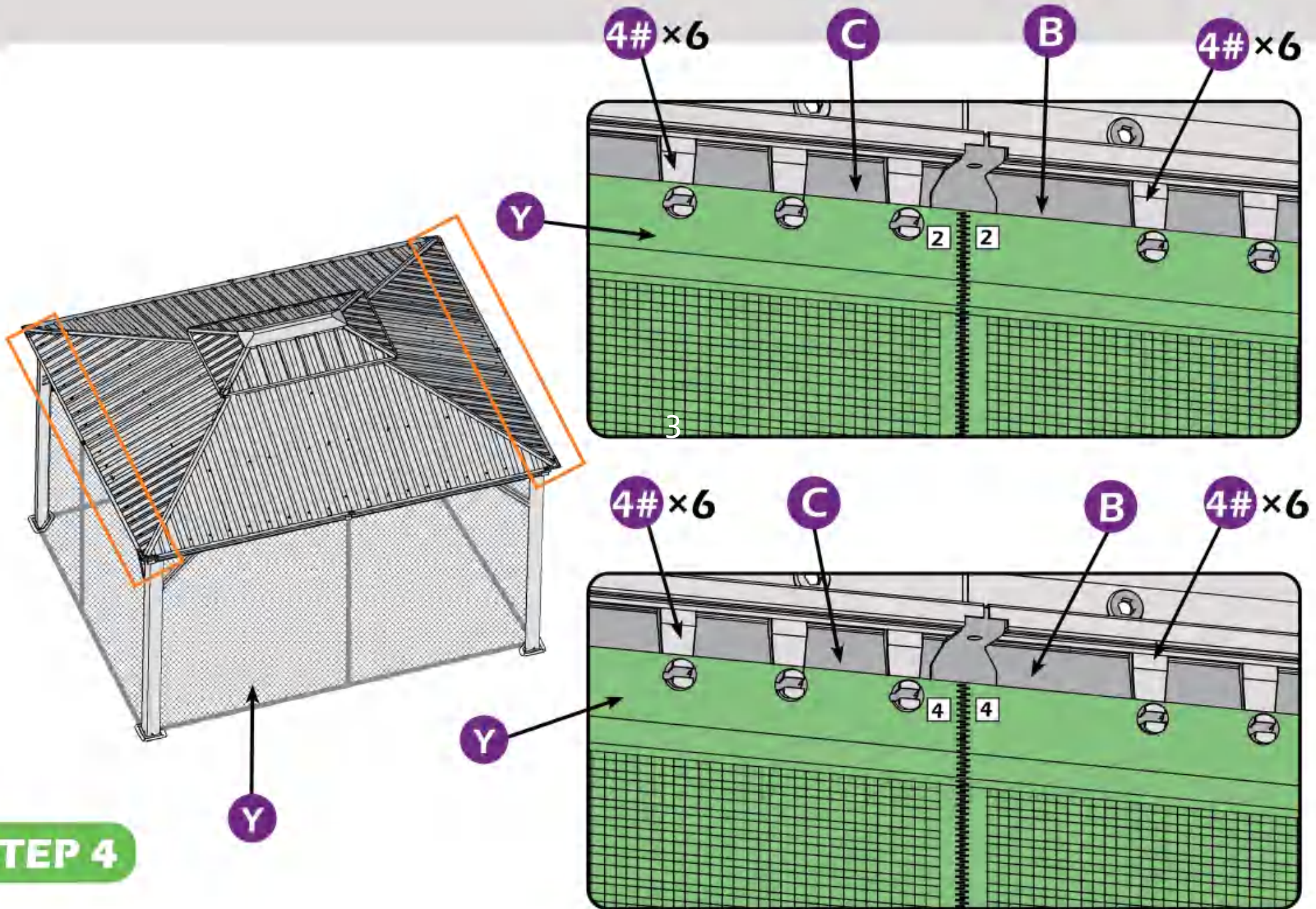


There are 14 hooks in length(7 in each side).



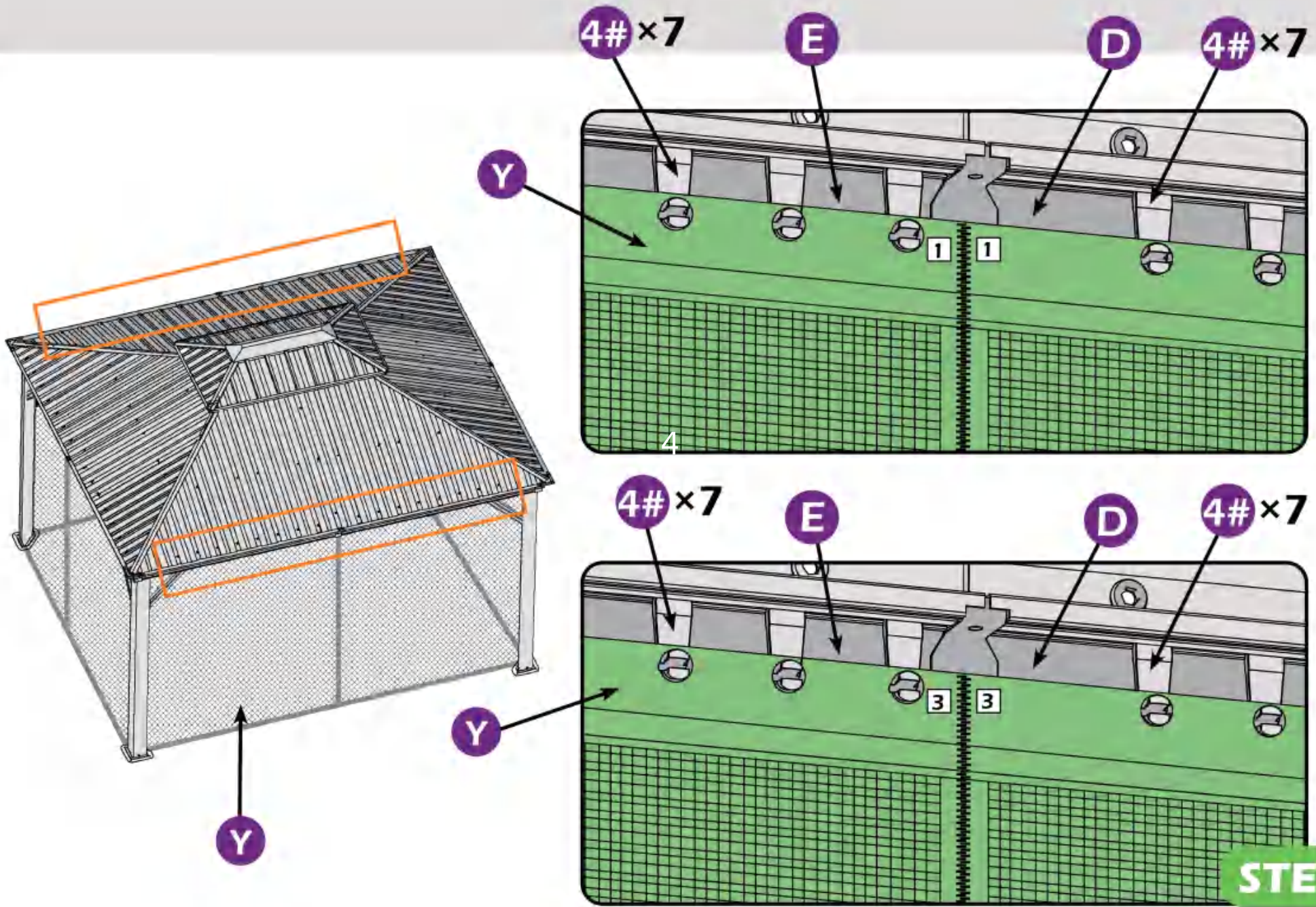
**STEP 4**



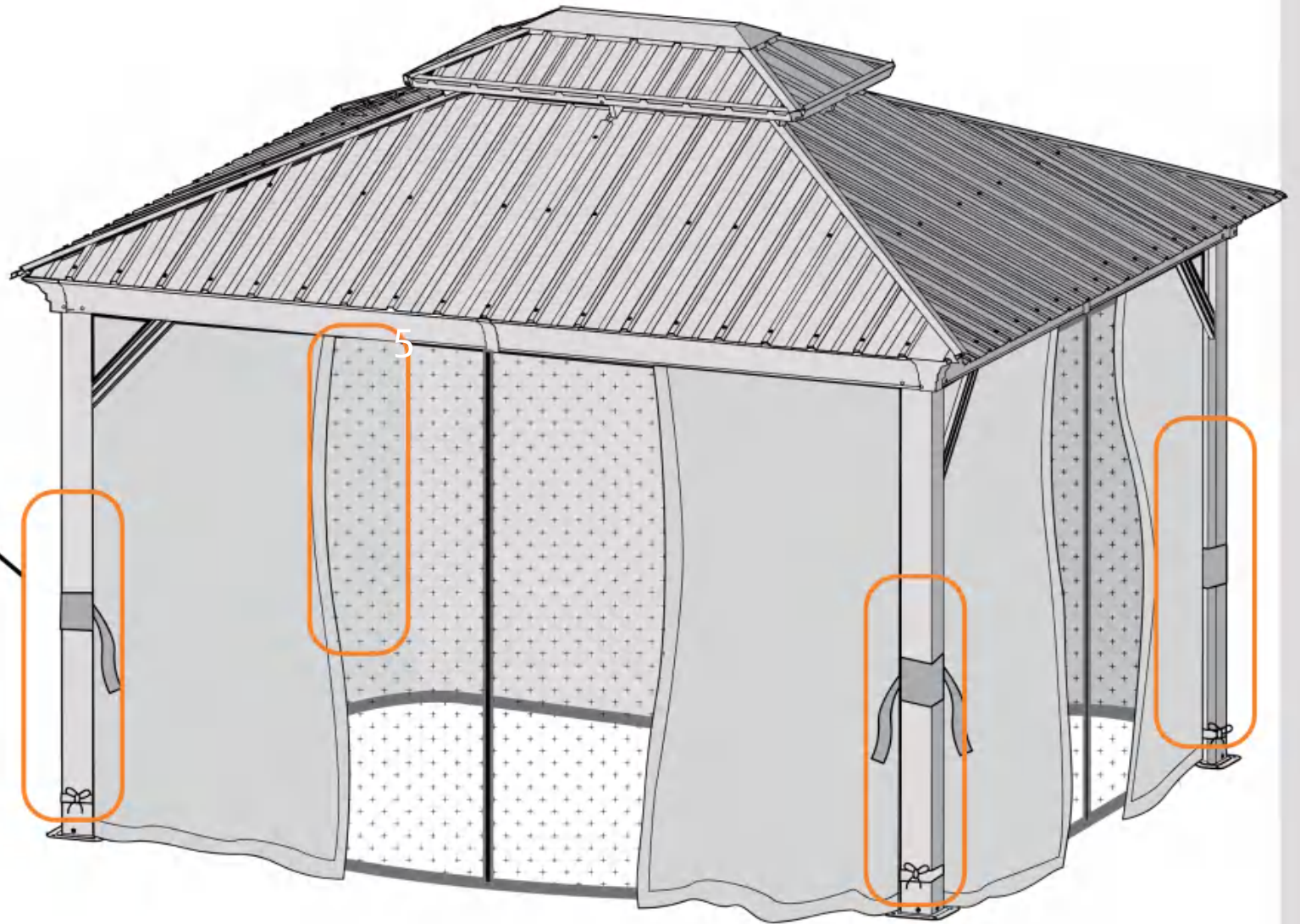
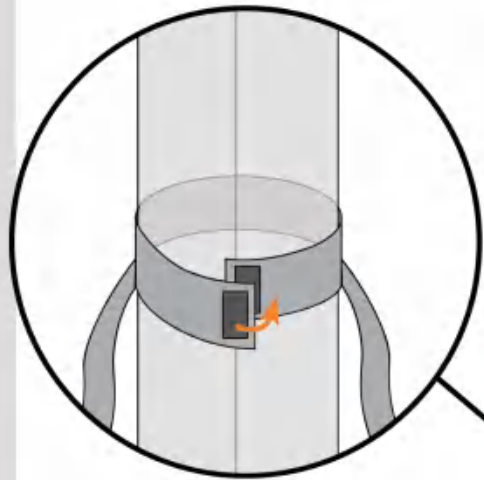


**STEP 4**



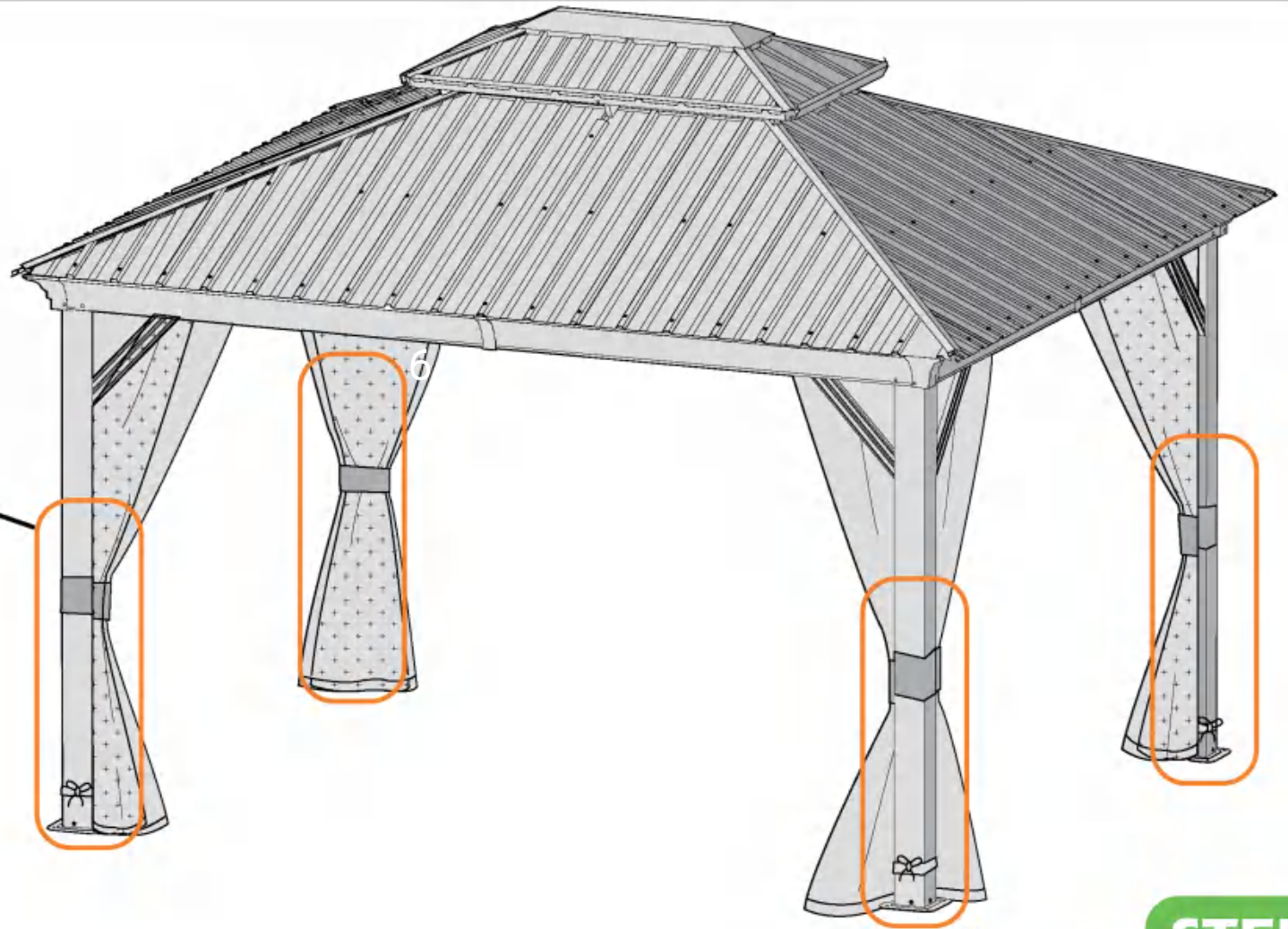
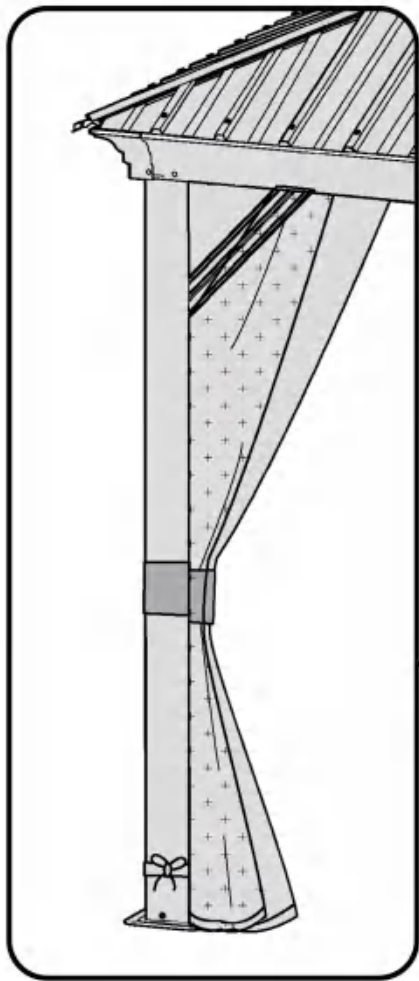


**STEP 4**



**STEP 4**





**STEP 4**



## **Care and Cleaning**

Wash frame parts and fabric with mild soap and water, rinse thoroughly.

Dry frame completely and allow the fabric to drip dry.

Do not use bleach, acid, or other solvents on the fabric or frame parts.

Please inspect and tighten all bolts or fasteners on a regular basis to ensure proper performance and safety of your gazebo.